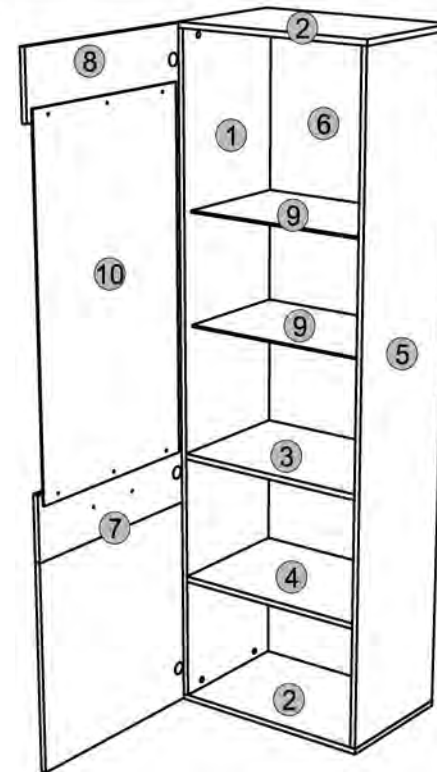
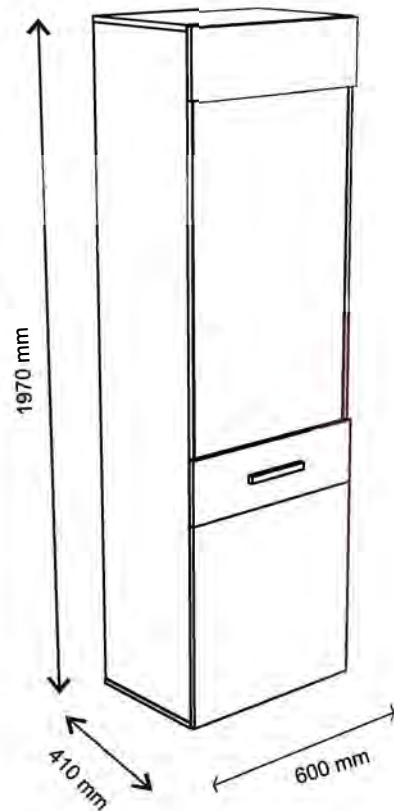


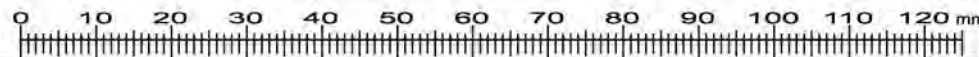
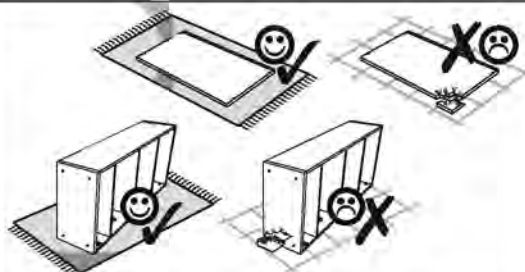
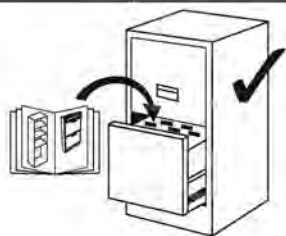


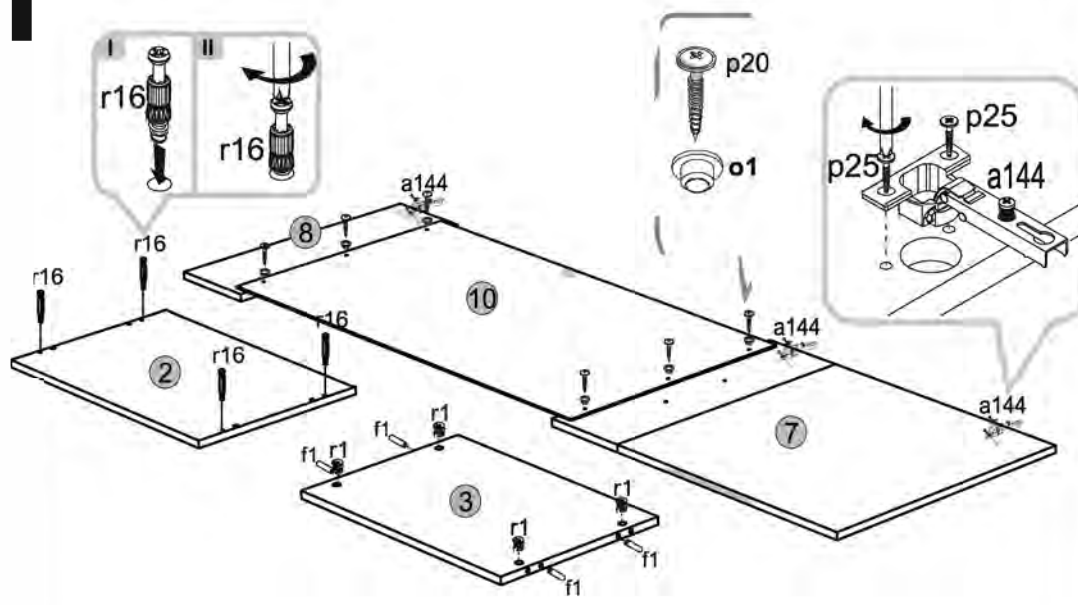
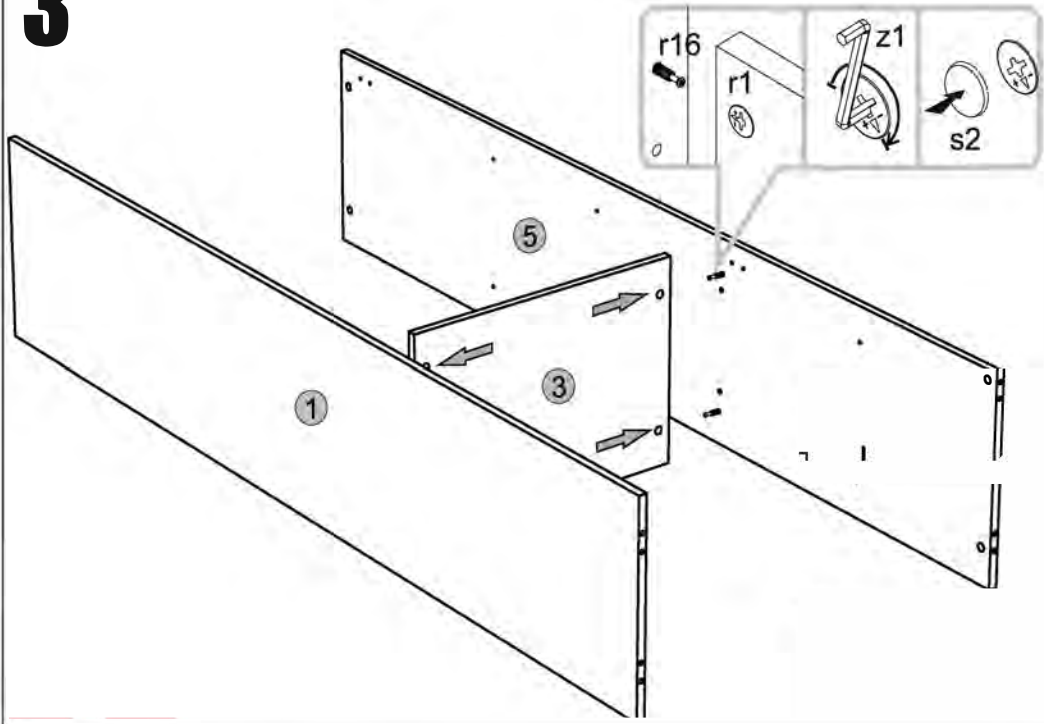
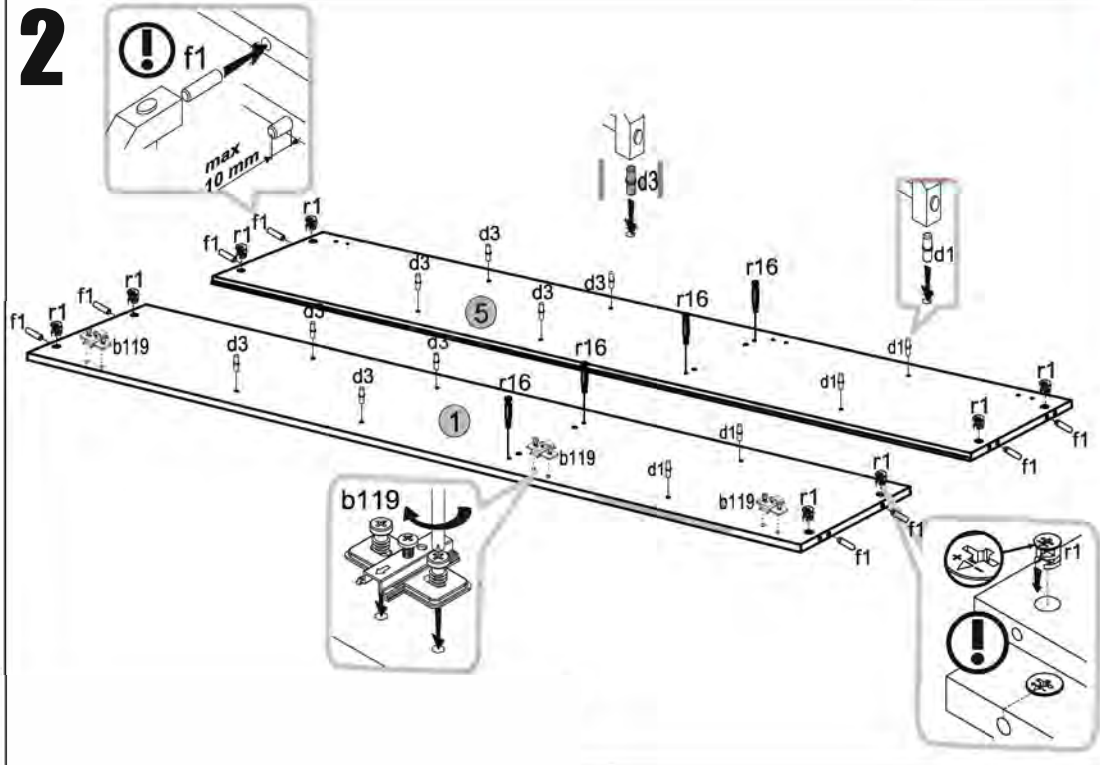
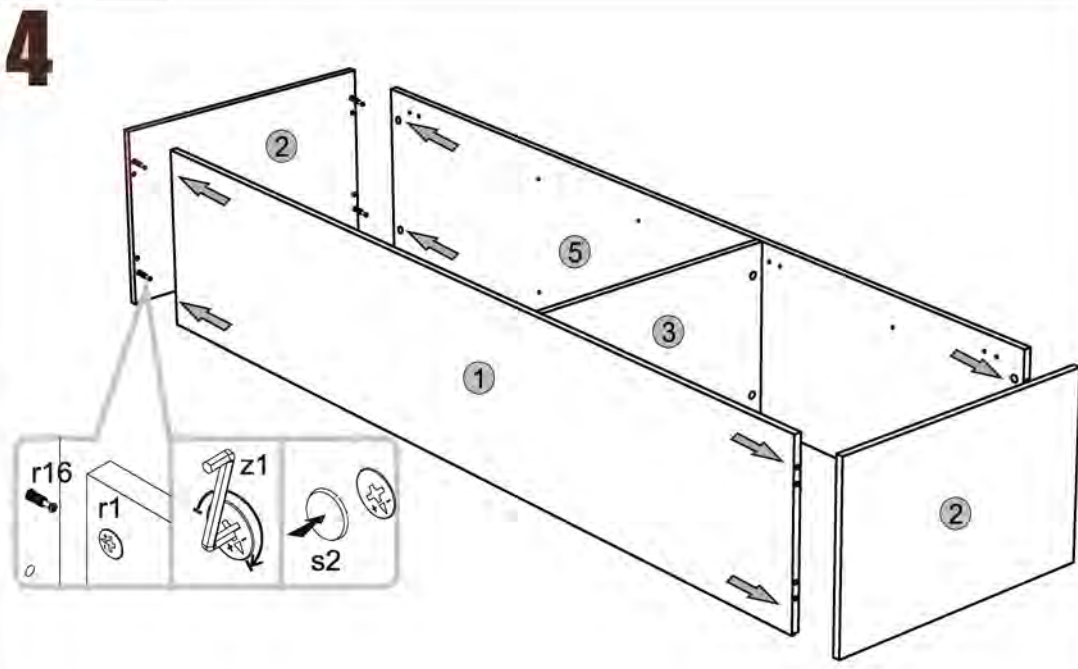
Instalation manual

SOLO: WIT_WYS_1W



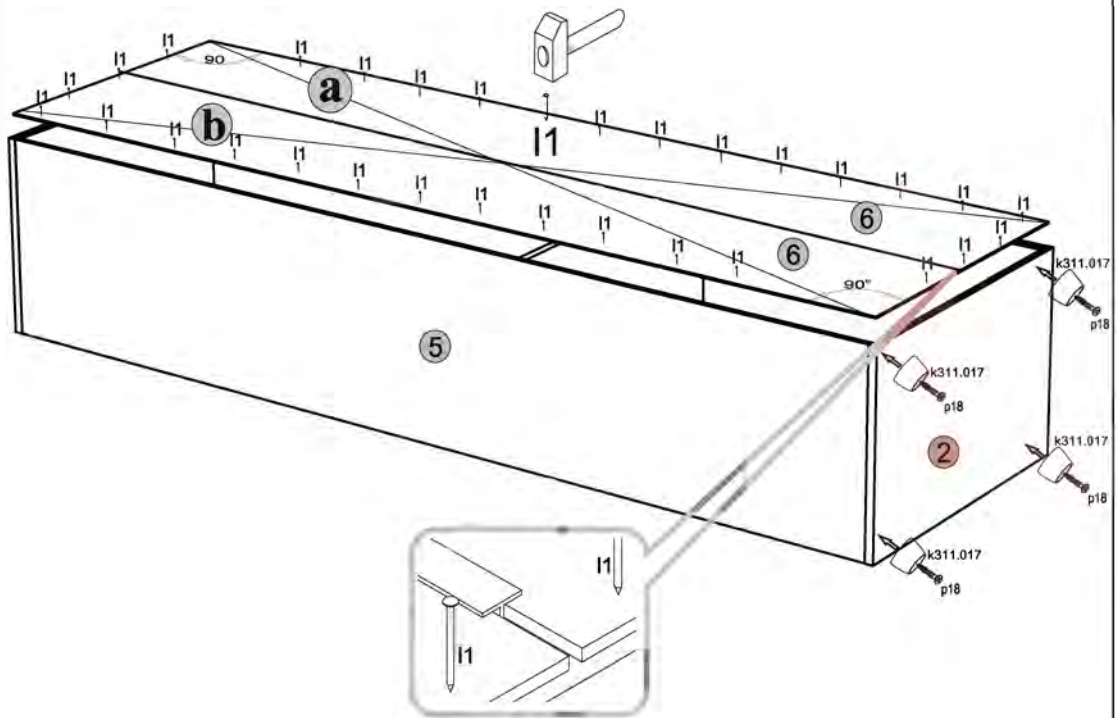
| Element symbol | Dimensions | | | | Code | Package |
|----------------|------------|-----|----|---|------------|---------|
| 1 | 1913 | 394 | 16 | 1 | SN-109 | 1/1 |
| 2 | 600 | 394 | 16 | 2 | SN-220 | 1/1 |
| 3 | 566 | 391 | 16 | 1 | SN-328 | 1/1 |
| 4 | 565 | 391 | 16 | 1 | SN-329 | 1/1 |
| 5 | 1913 | 394 | 16 | 1 | SN-110 | 1/1 |
| 6 | 1931 | 292 | 3 | 2 | SN-626 | 1/1 |
| 7 | 789 | 596 | 16 | 1 | SN-042/568 | 2/2 |
| 8 | 596 | 188 | 16 | 1 | SN-567/571 | 2/2 |
| 9 | 565 | 360 | 5 | 2 | SN-330 | 3/3 |
| 10 | 1032 | 560 | 4 | 1 | SN-043 | 4/4 |



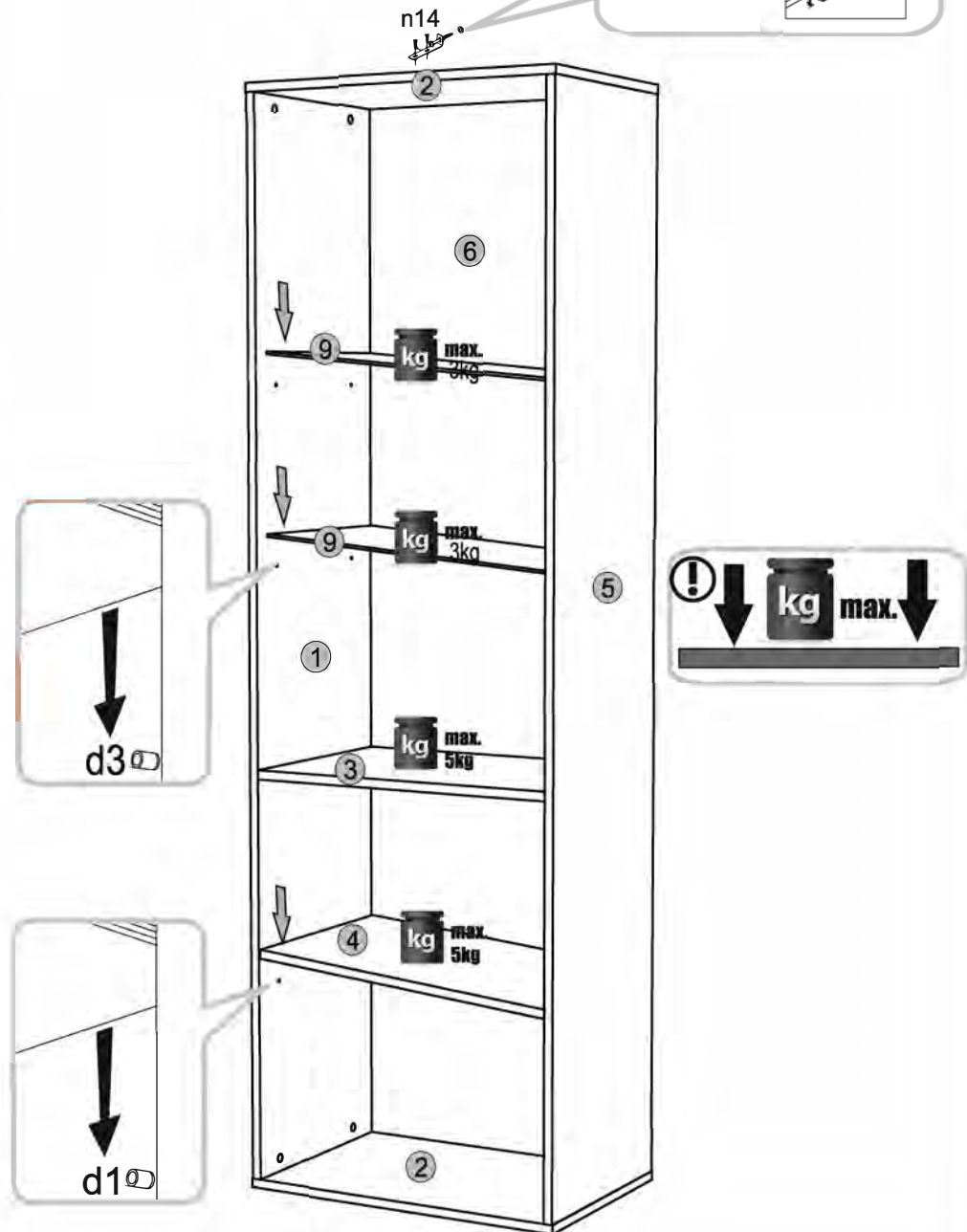
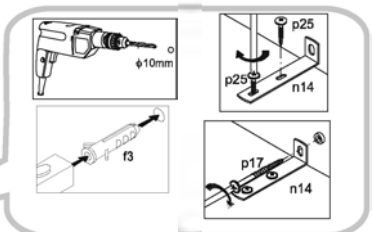
1**3****2****4**

5

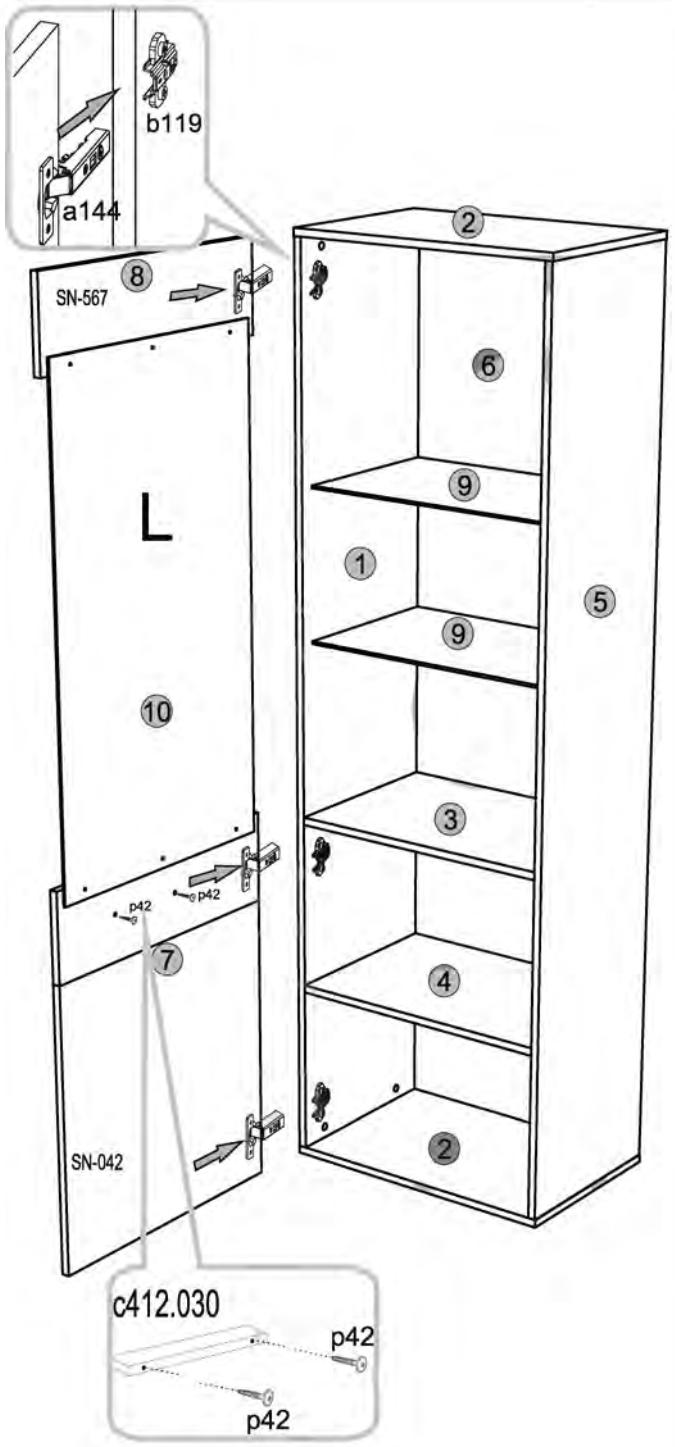
!
a=b



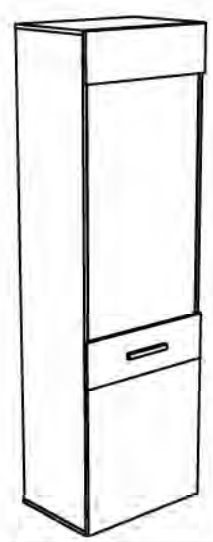
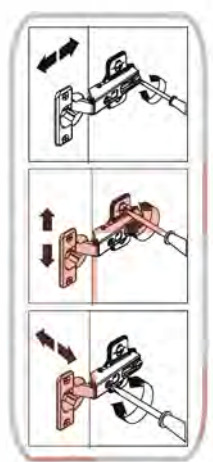
6



7



I



II

