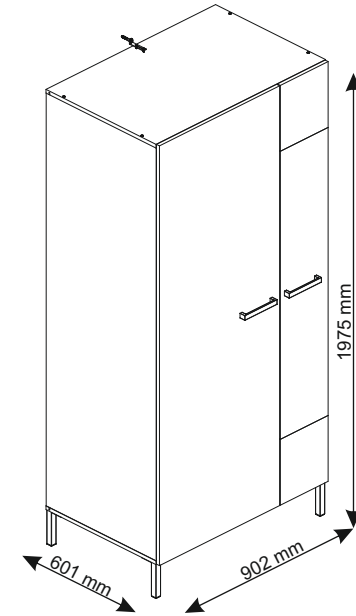
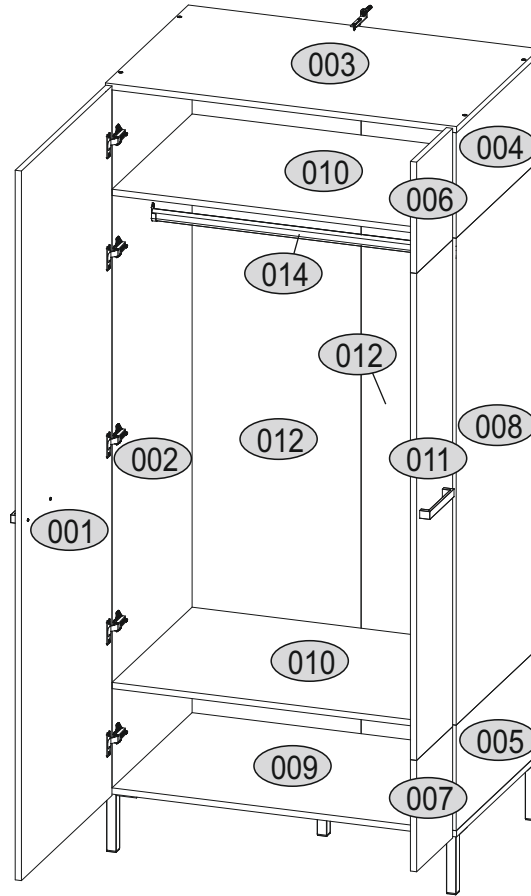
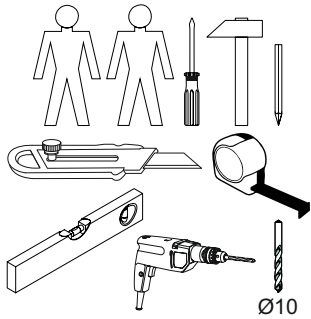
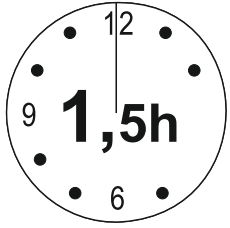
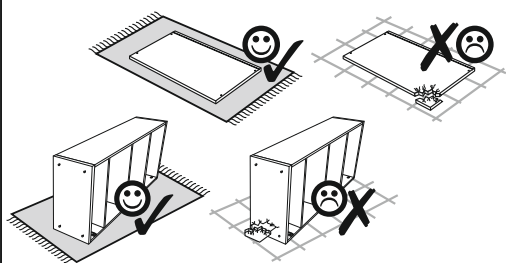
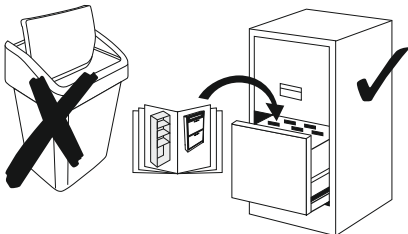


# Installation manual


## Wardrobe 2D



Code	Dimensions				Package
001	1823	639	16	1	2/2
002	1793	585	16	1	2/2
003	901	585	16	1	1/2
004	271	585	16	1	2/2
005	271	585	16	1	2/2
006	286	254	16	1	2/2
007	286	254	16	1	2/2
008	1251	585	16	1	2/2
009	901	585	16	1	1/2
010	868	565	16	2	1/2
011	1251	254	16	1	2/2
012	1811	442	2,5	2	2/2
014	863			1	1/2
accessories					1/2

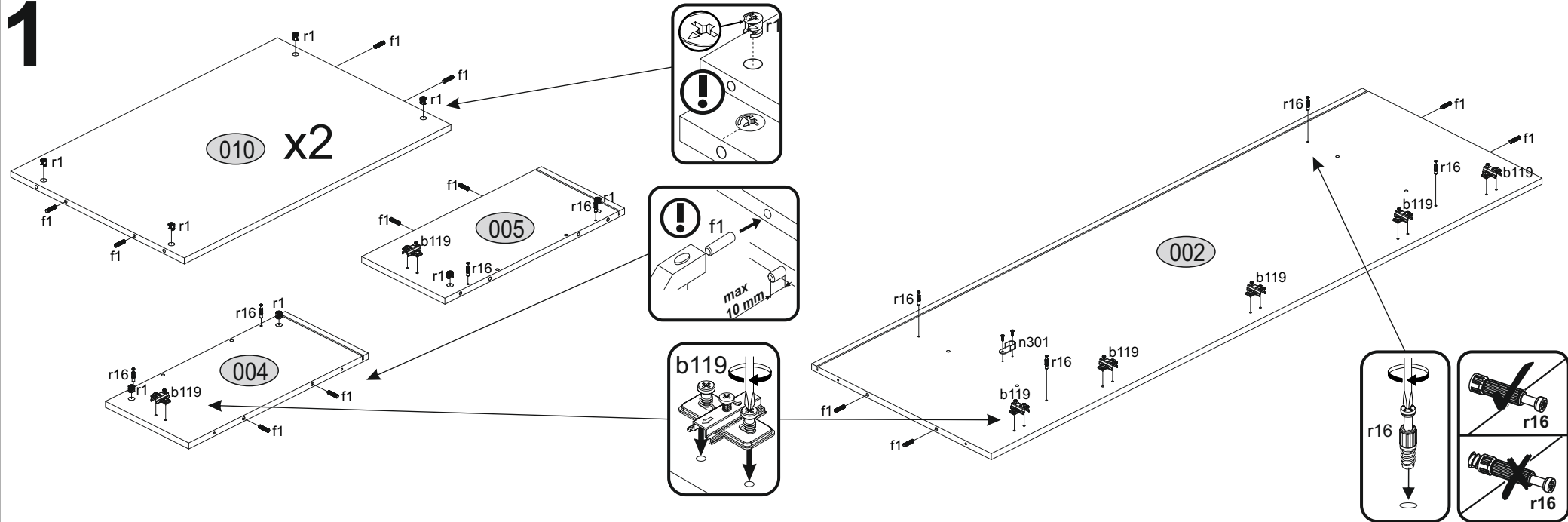


# Accessories:

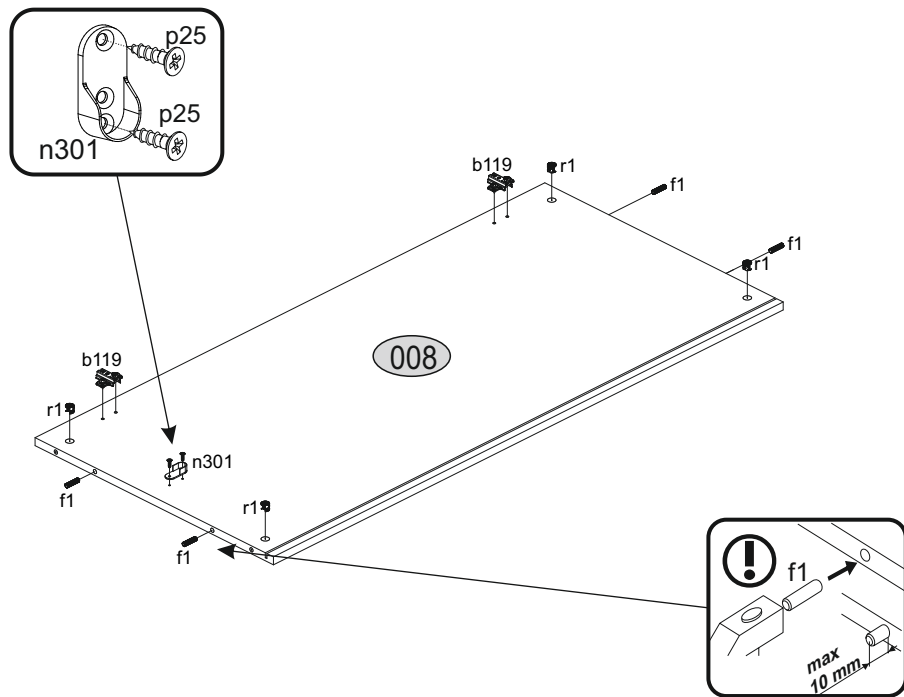
<p>x10 l2</p> 	<p>x9 a144</p> 	<p>x9 b199</p> 	<p>x2 c412.048</p> 
<p>x8 e1</p> <p>Ø7x50</p> 	<p>x24 f1</p> <p>Ø8x30</p> 	<p>x5 k311.054</p> 	<p>x1 n14</p> 
<p>x2 n260.01.007</p> 	<p>x2 n301</p> 	<p>x1 p17</p> <p>Ø6x50</p> 	<p>x56 p25</p> <p>Ø3.5x16</p> 
<p>x4 p9</p> <p>Ø4x30</p> 	<p>x24 r1</p> 	<p>x8 r10</p> 	<p>x8 r16</p> 
<p>x1 f3</p> 	<p>x20 s2</p> 	<p>x1 z1</p> 	



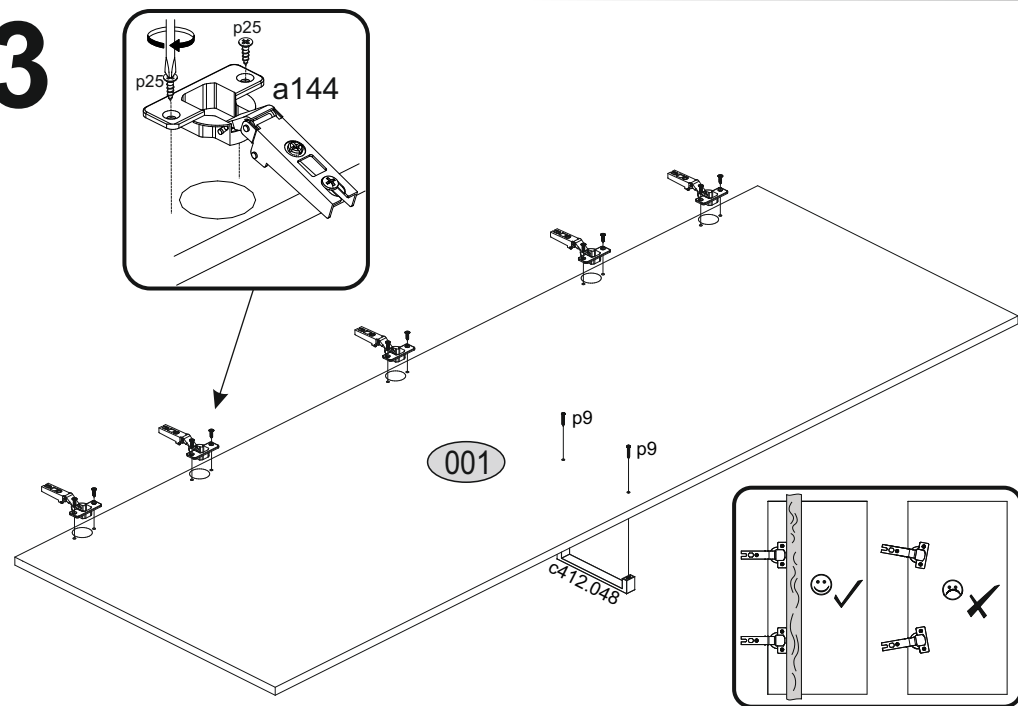
# 1



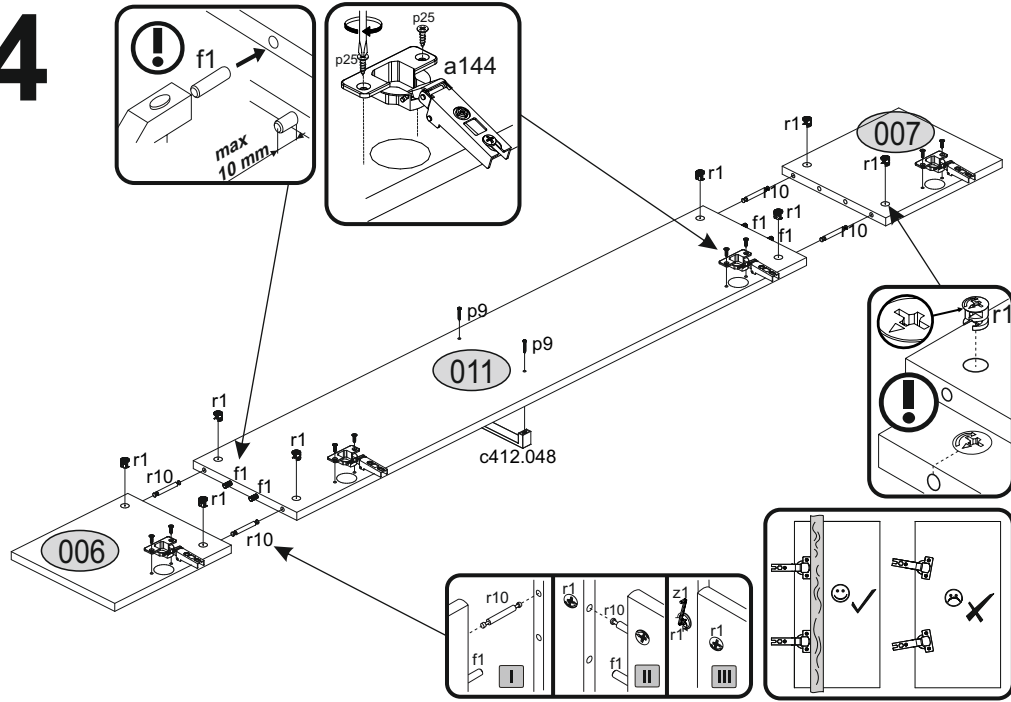
# 2



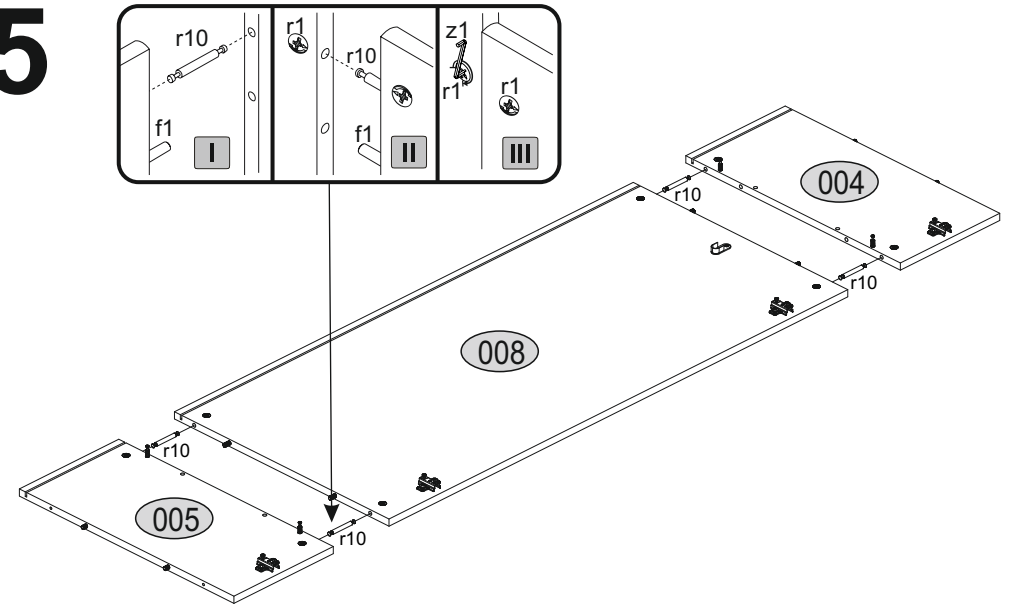
# 3



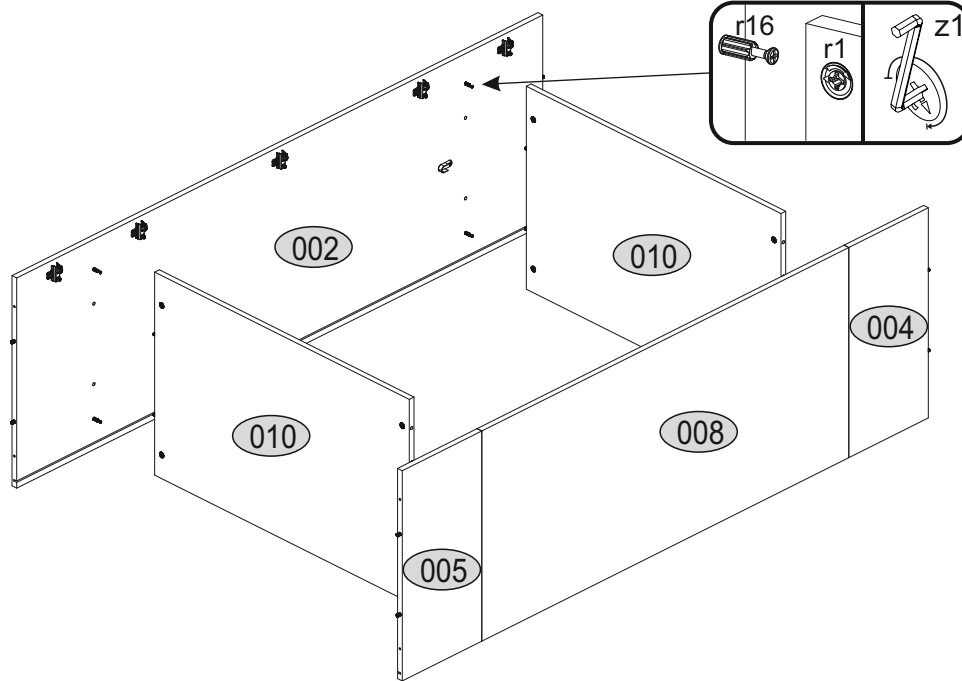
# 4



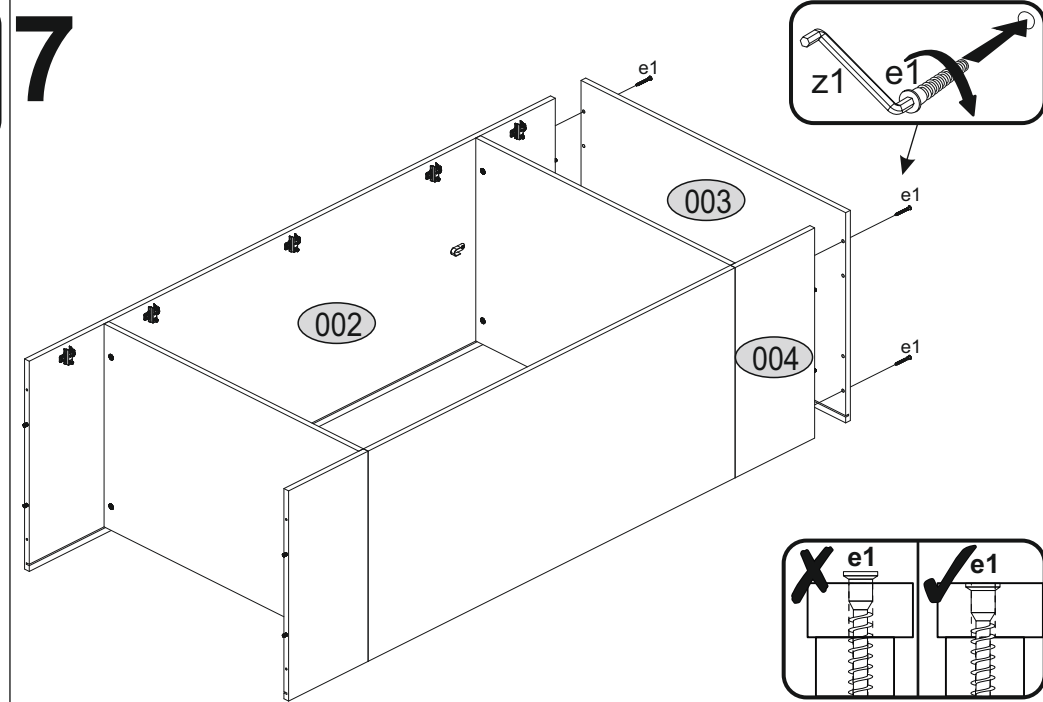
# 5



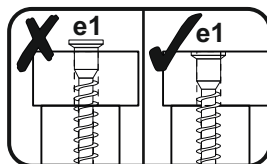
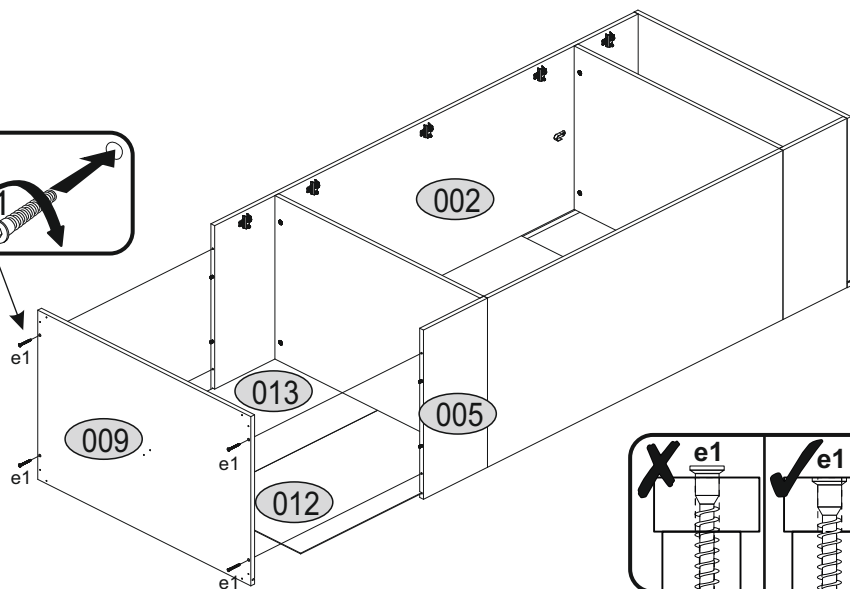
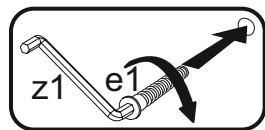
# 6



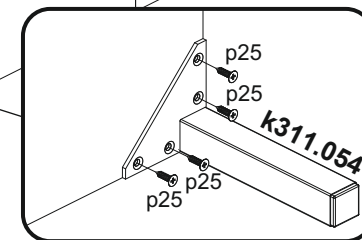
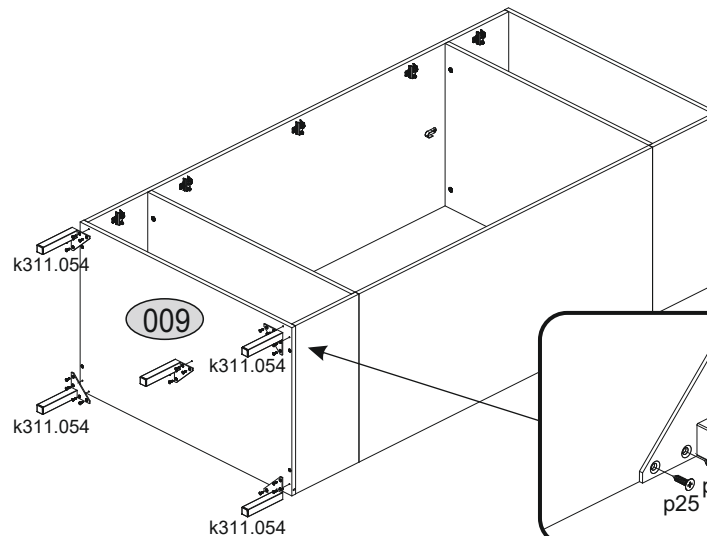
# 7



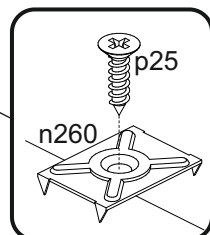
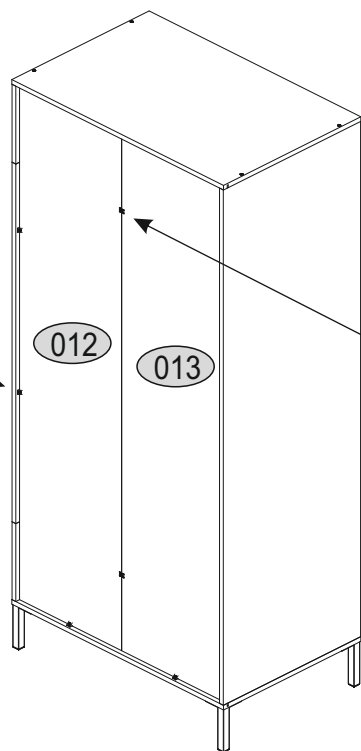
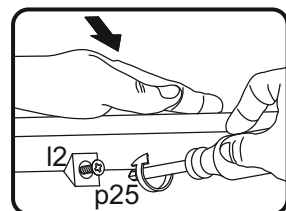
# 8



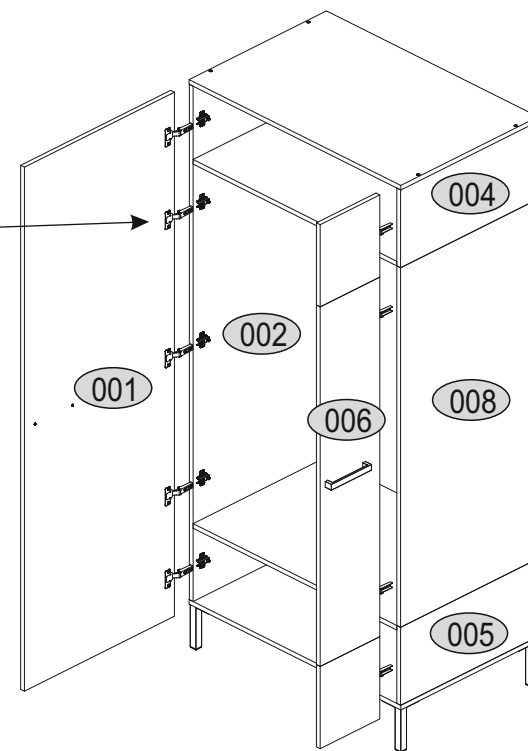
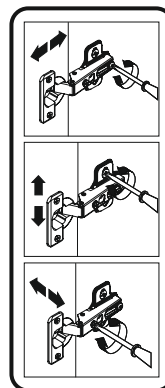
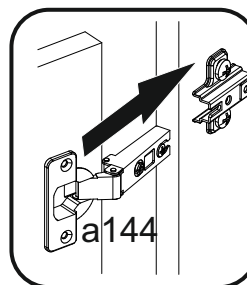
# 9



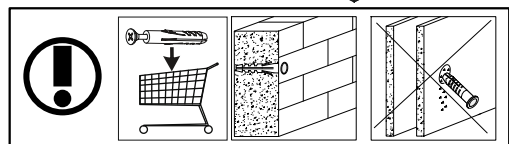
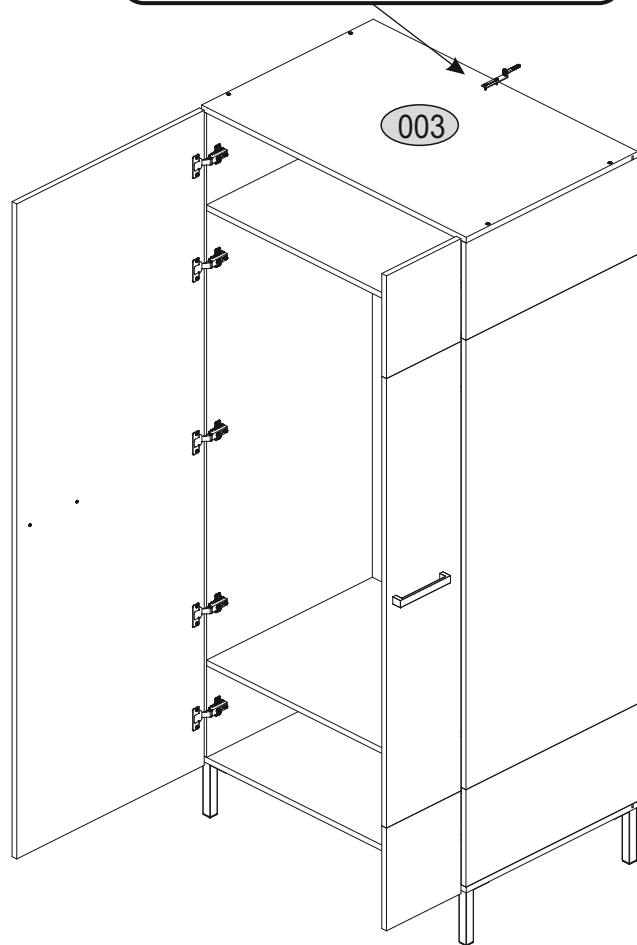
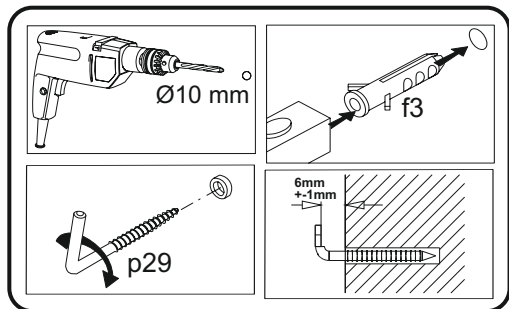
# 10



# 11



# 12



# 13

