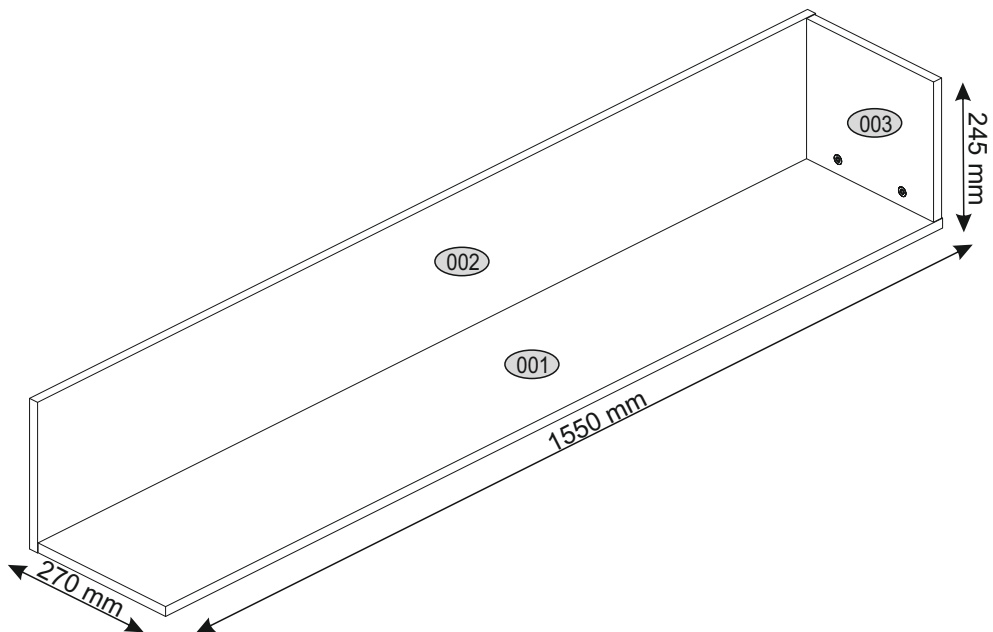
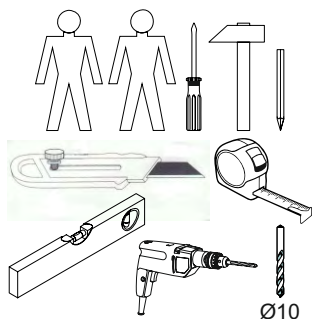
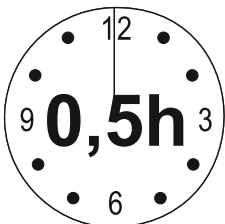


Installation manual

Shelf 155



Code	Dimensions				Package
001	1248	245	16	1	1/1
002	1550	245	16	1	1/1
003	228	253	16	1	1/1
accessories				1	1/1

**x8
e1**

Ø 7x50mm



**x8
f1**

Ø 8x30mm



**x2
s2**



**x3
g2**



**x2
r16**



**x6
e19**

Ø6x9 mm



**x2
r1**



**x3
e2**

Ø6.3x13 mm



**x1
z1**



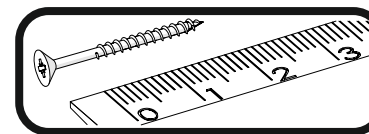
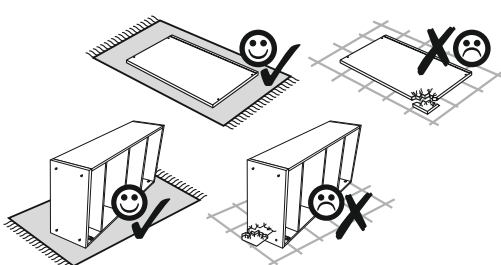
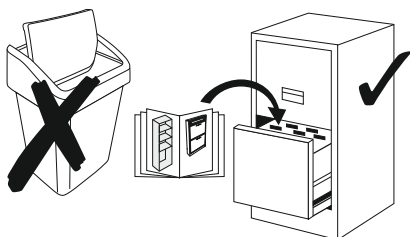
**x3
f3**

Ø10x50 mm

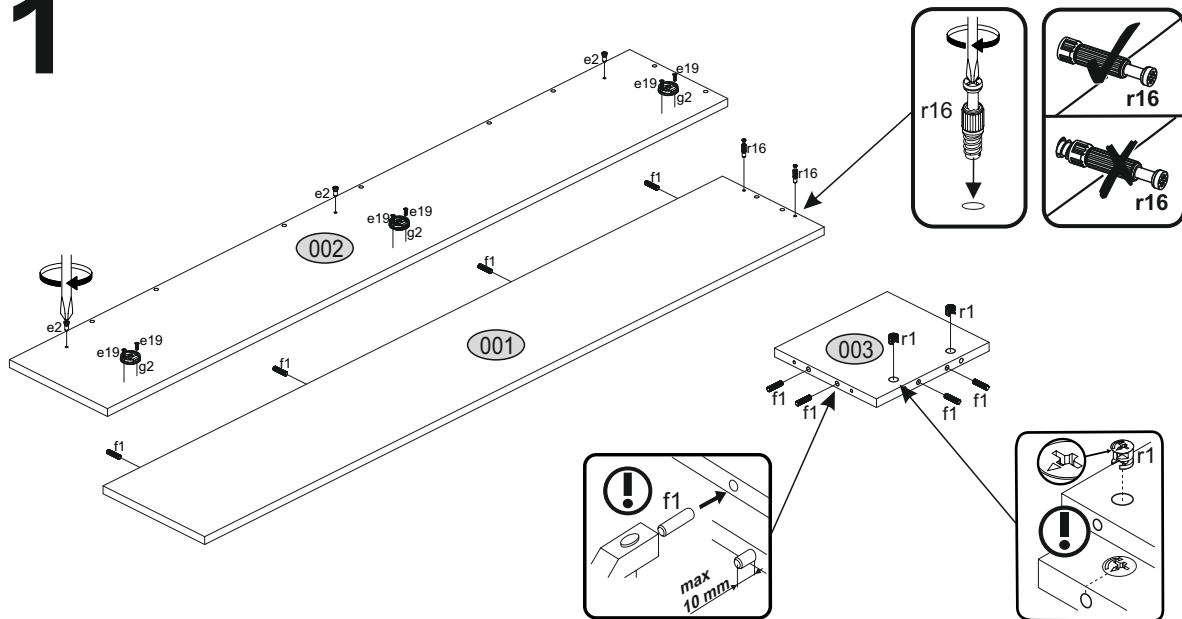


**x3
p17**

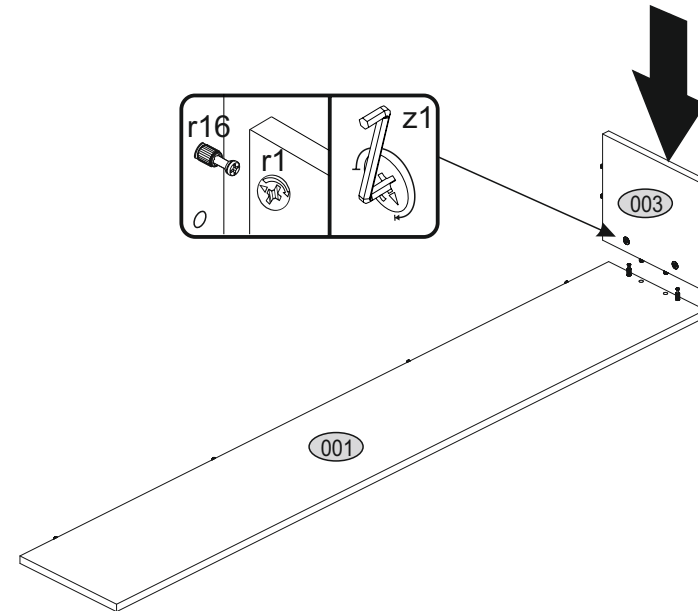
Ø 5x60 mm



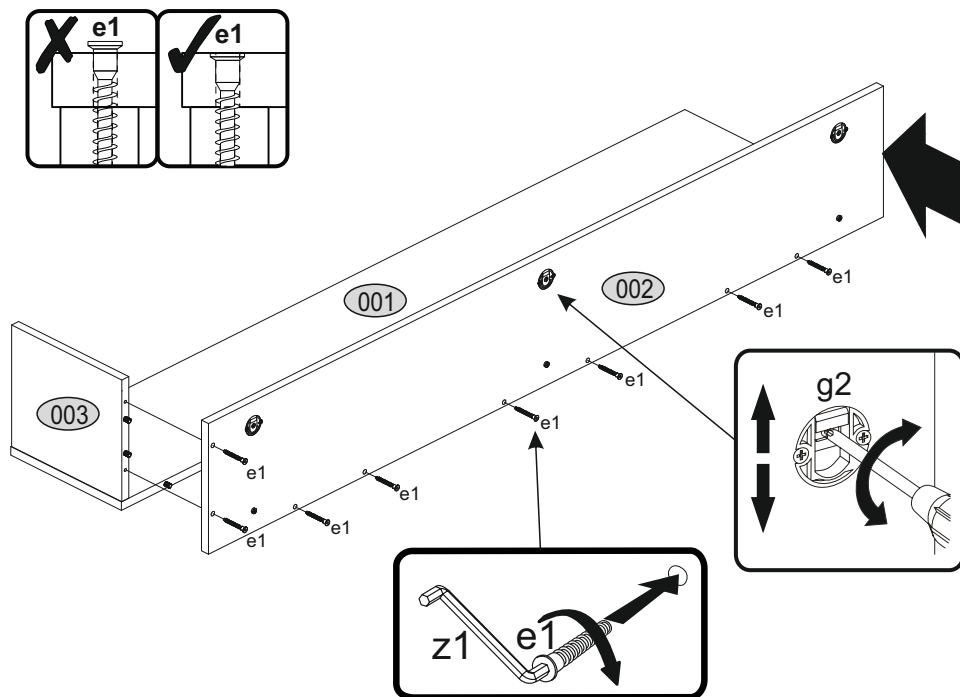
1



2



3



4

