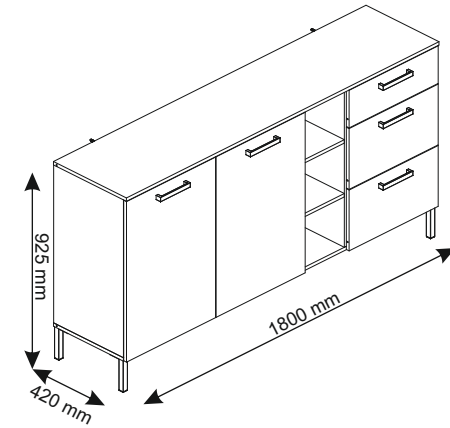
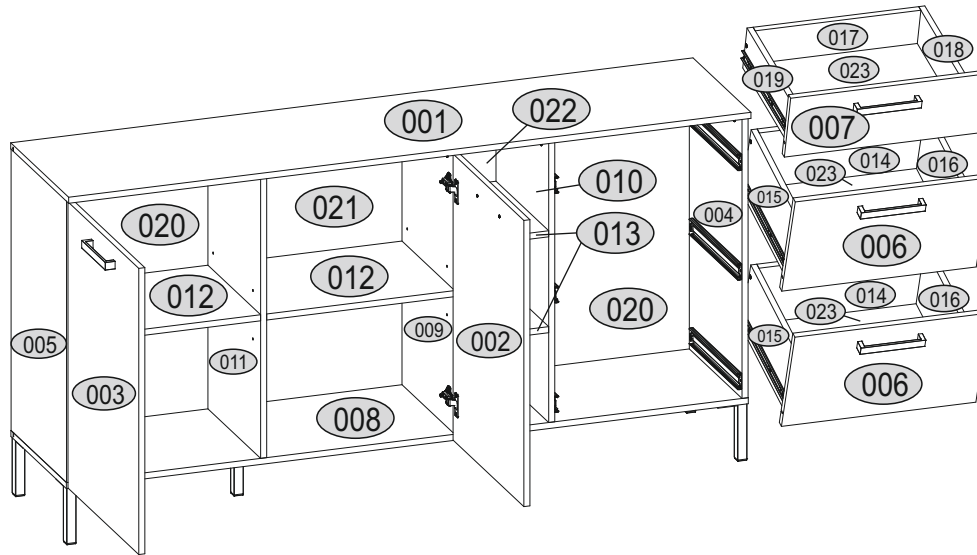
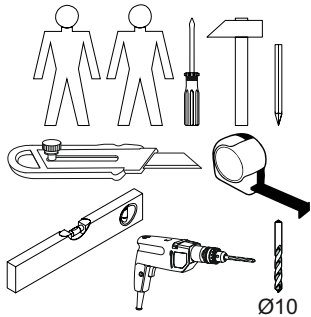
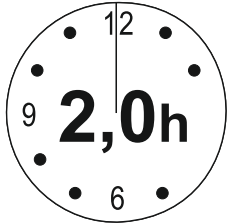
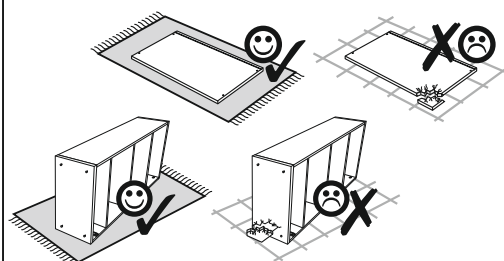
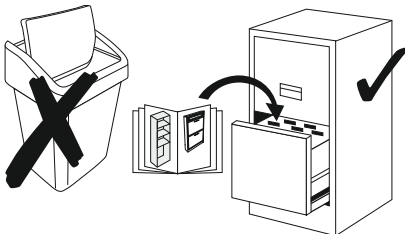


Installation manual

Chest 2D3S



Code	Dimensions			Package	
001	1799	420	16	1	2/2
002	755	513	16	1	1/2
003	755	513	16	1	1/2
004	743	402	16	1	1/2
005	743	402	16	1	1/2
006	513	286	16	2	1/2
007	513	177	16	1	1/2
008	1799	402	16	1	2/2
009	743	382	16	1	2/2
010	743	382	16	1	2/2
011	743	382	16	1	2/2
012	496	382	16	2	1/2
013	232	382	16	2	2/2
014	437	200	16	2	2/2
015	350	200	16	2	2/2
016	350	200	16	2	2/2
017	437	120	16	1	2/2
018	350	120	16	1	2/2
019	350	120	16	1	2/2
020	761	511	2,5	2	1/2
021	761	511	2,5	1	1/2
022	761	250	2,5	1	1/2
023	352	455	2,5	3	1/2
accessories				1	1/2

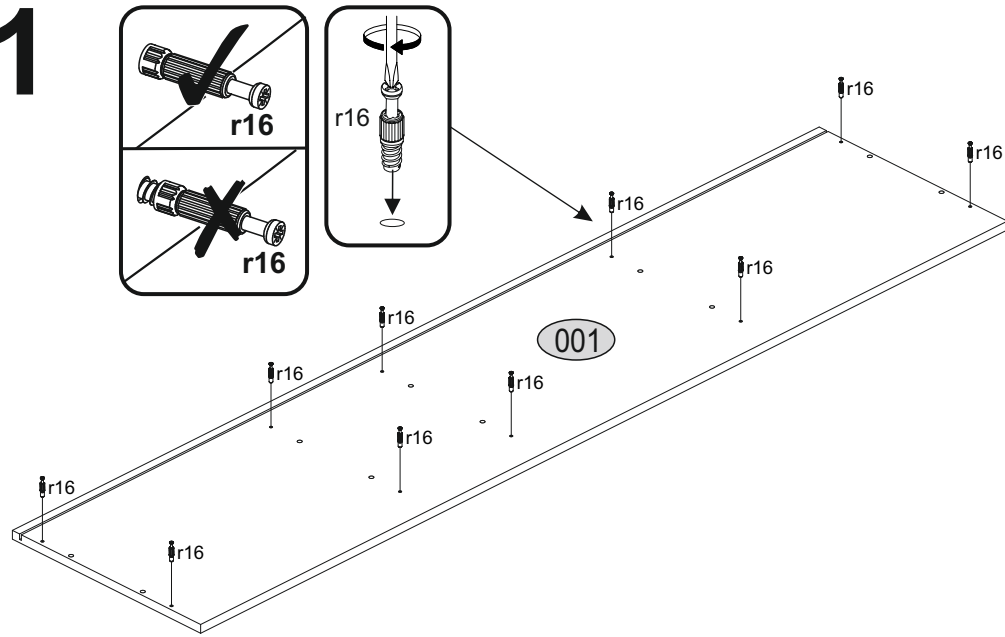


Accessories:

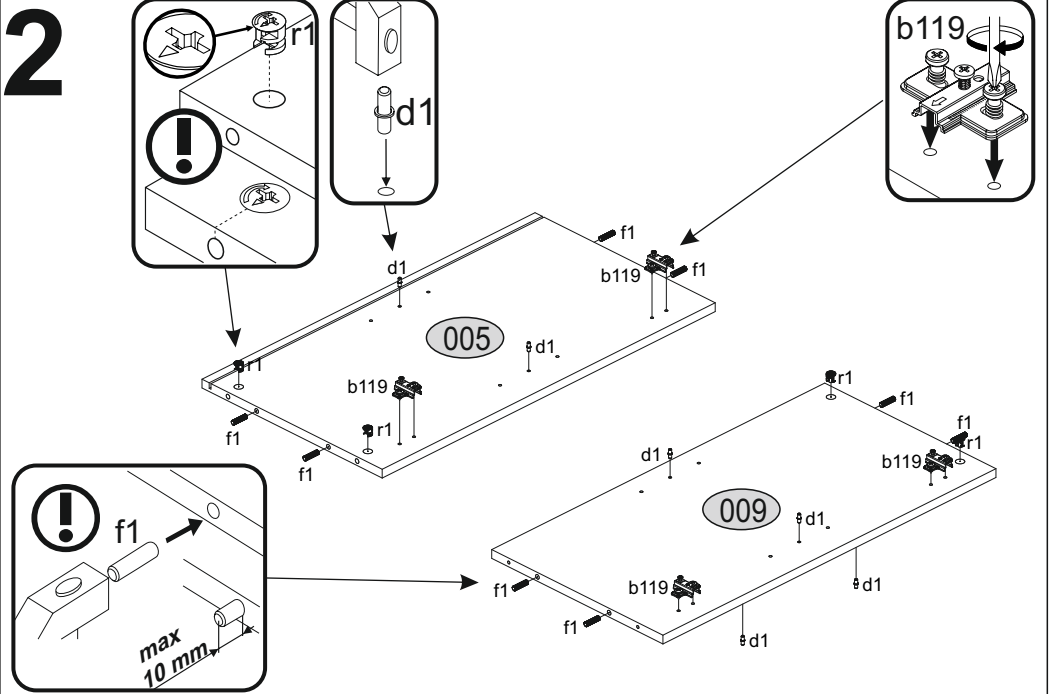
<p>x12 l2</p> 	<p>x2 a144</p> 	<p>x2 a145</p> 	<p>x4 b119</p> 
<p>x5 c412.048</p> 	<p>x16 d1</p> 	<p>x20 e1</p> <p>Ø7x50</p> 	<p>x44 f1</p> <p>Ø8x30</p> 
<p>x2 f3</p> <p>Ø10x50</p> 	<p>x6 k311.054</p> 	<p>x2 n14</p> 	<p>x6 n260.01.007</p> 
<p>x2 p17</p> <p>Ø6x50</p> 	<p>x90 p25</p> <p>Ø3.5x16</p> 	<p>x10 p9</p> <p>Ø4x30</p> 	<p>x20 r1</p> 
<p>x20 r16</p> 	<p>x19 s2</p> 	<p>x16 s4</p> 	<p>x3 lb L-350</p> 
<p>x1 z1</p> 			



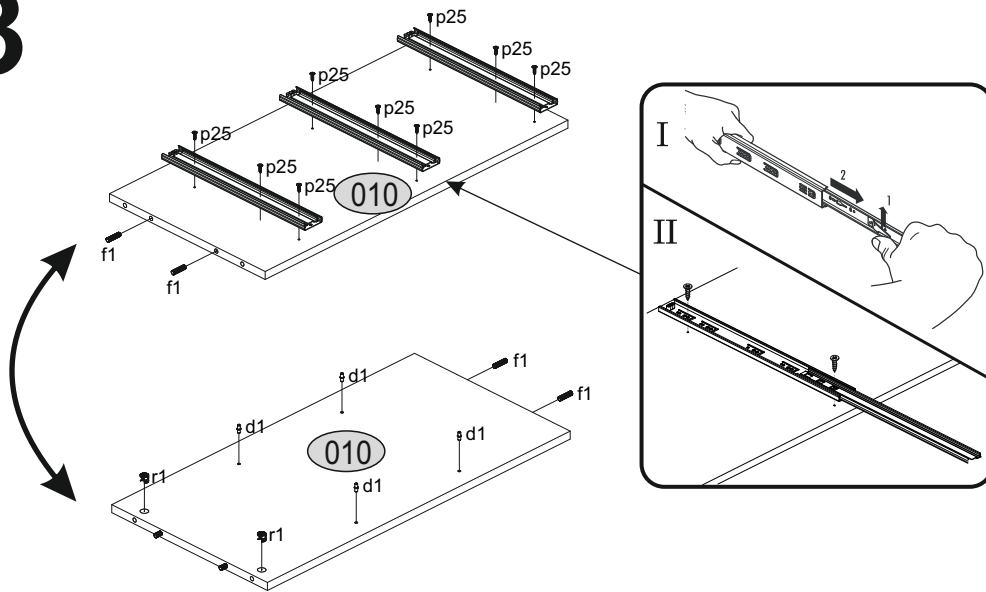
1



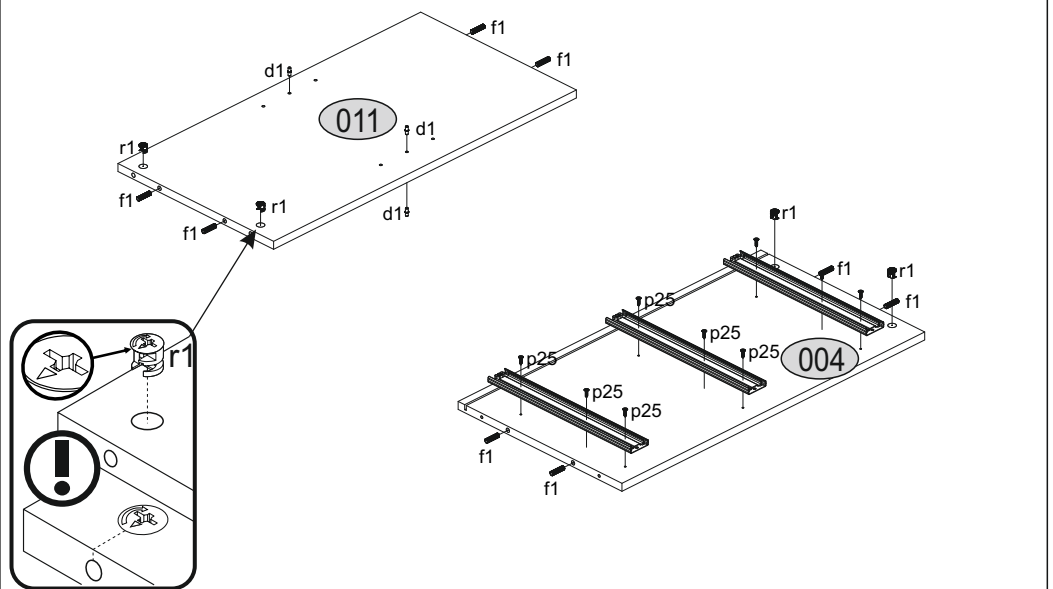
2



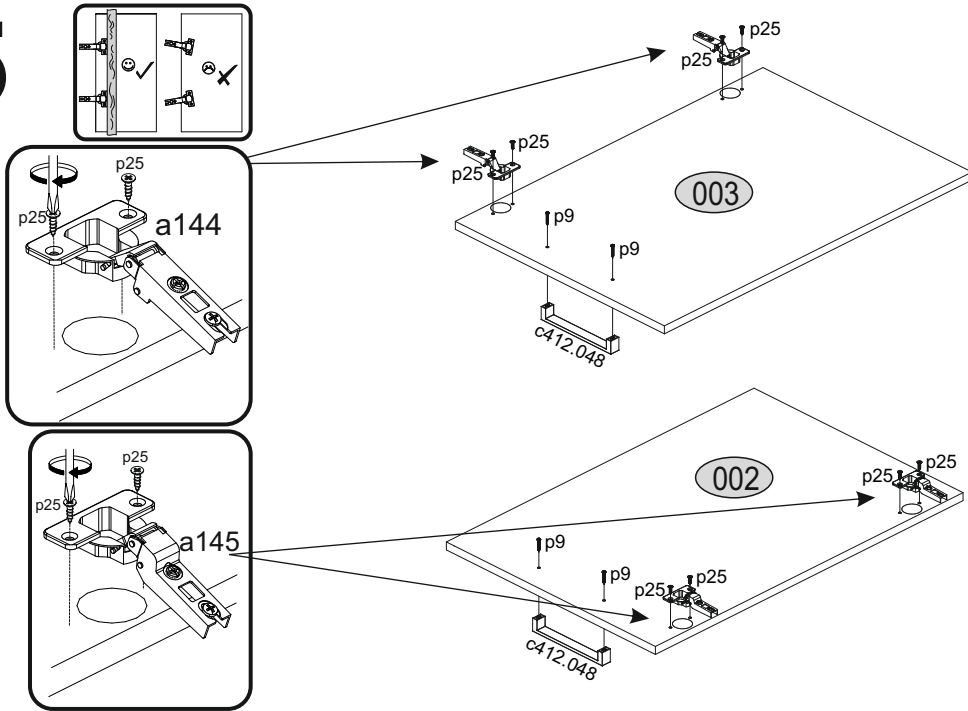
3



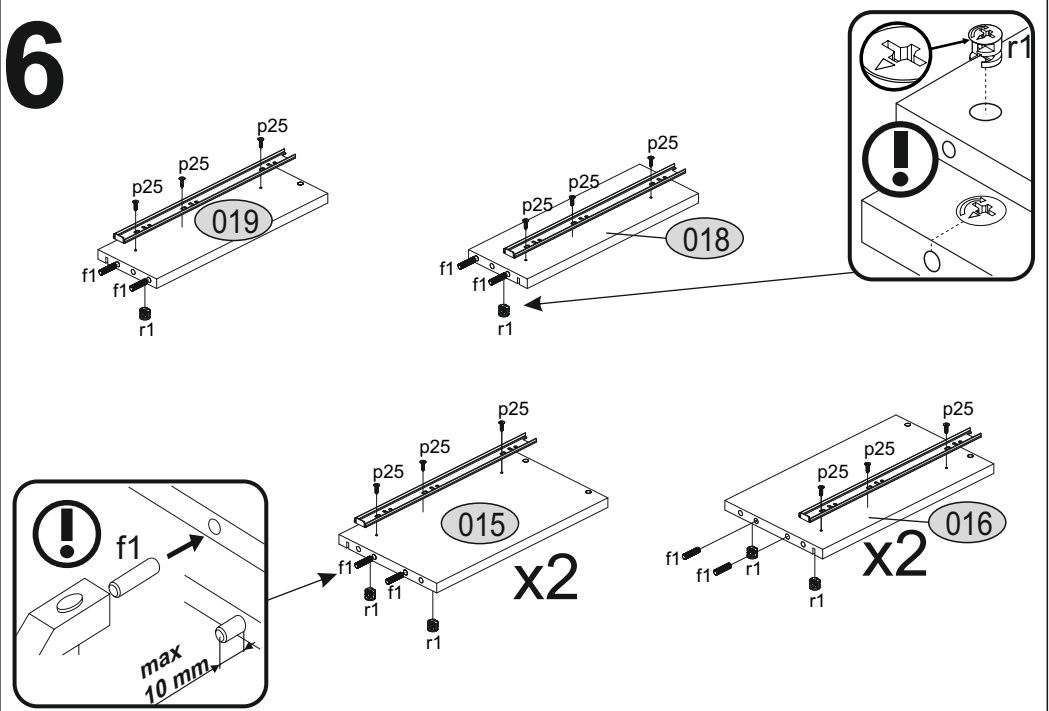
4



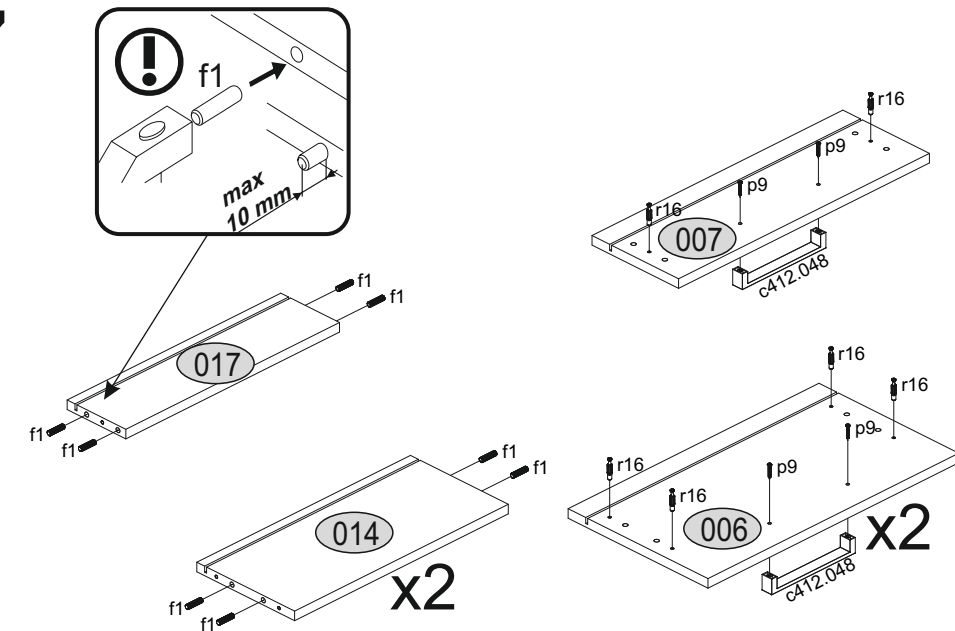
5



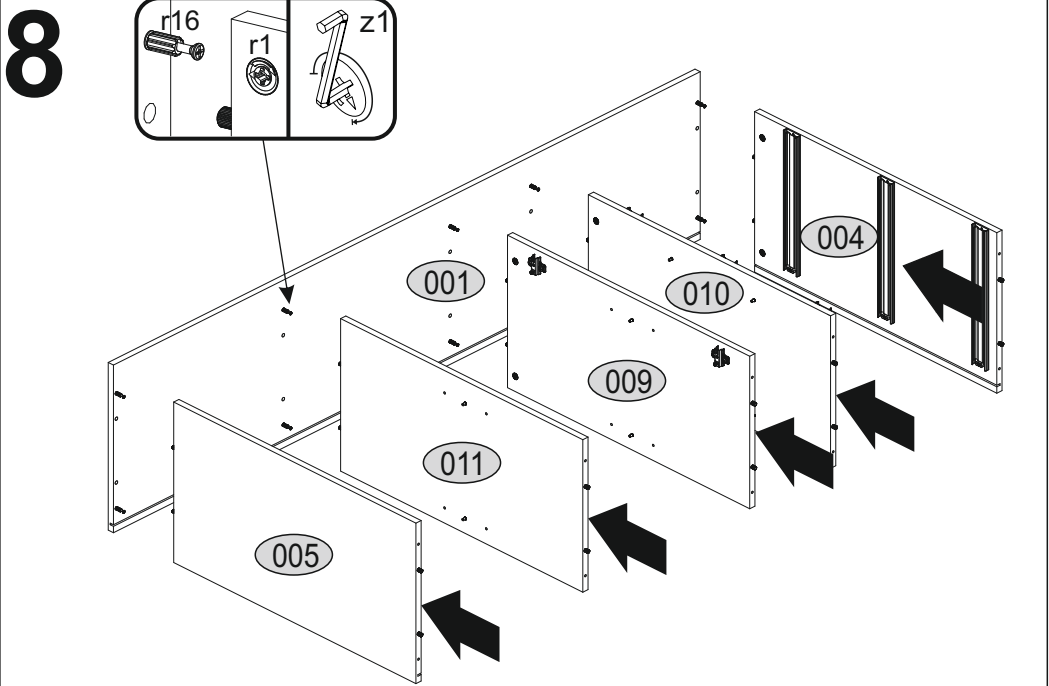
6



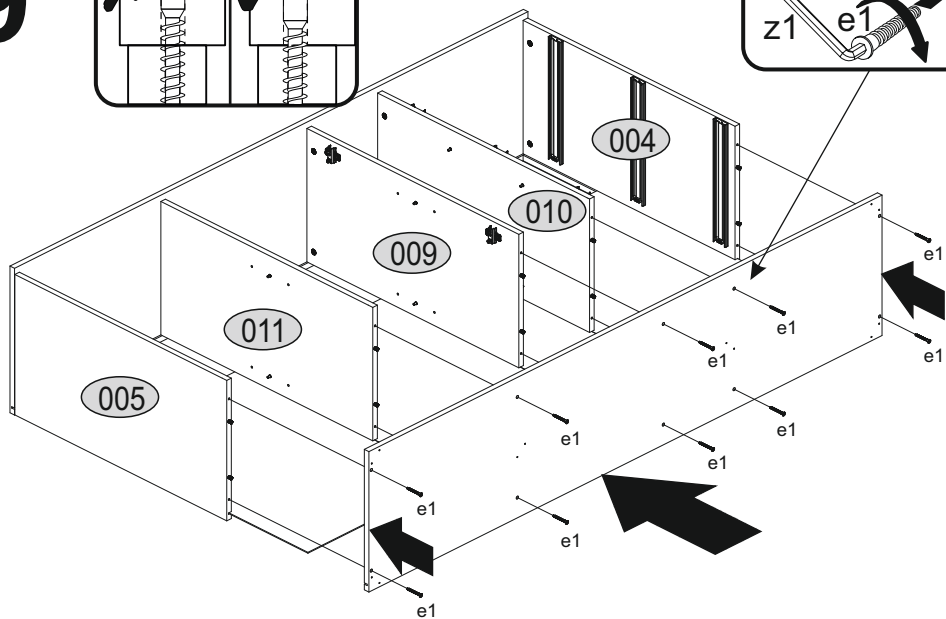
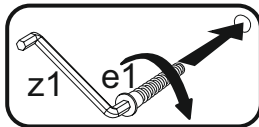
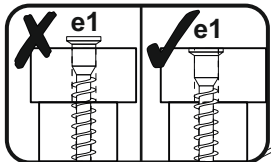
7



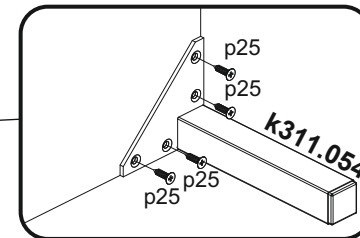
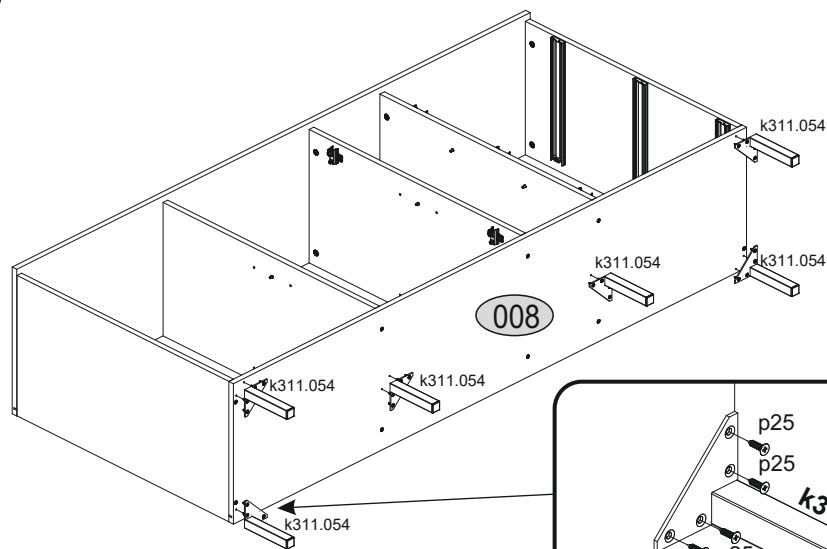
8



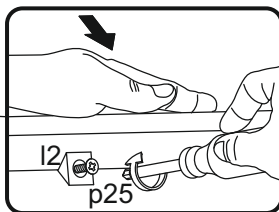
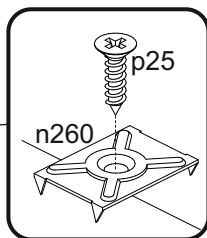
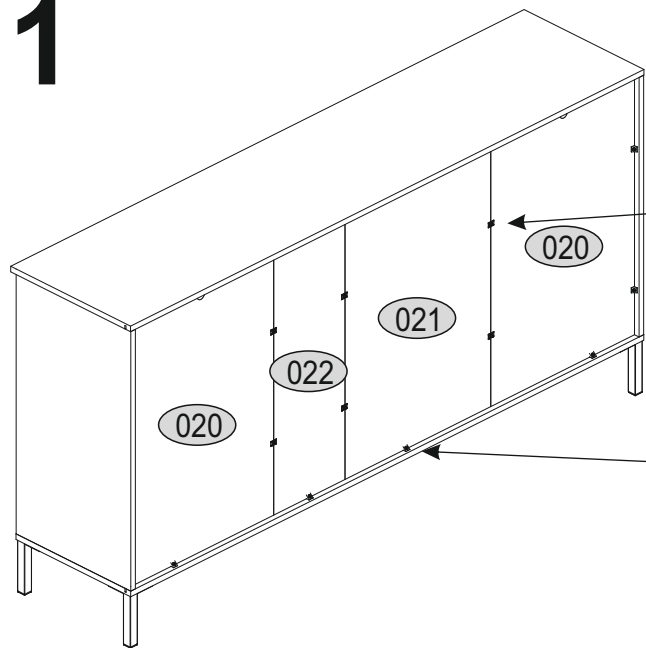
9



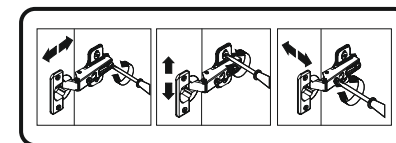
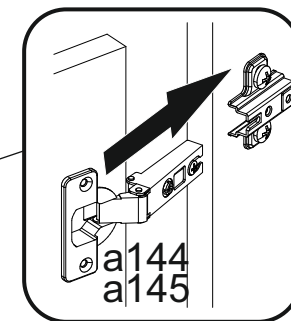
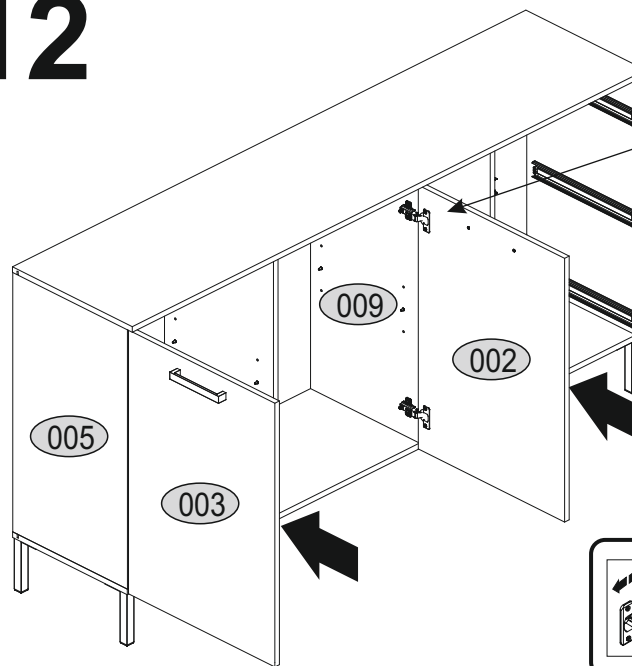
10



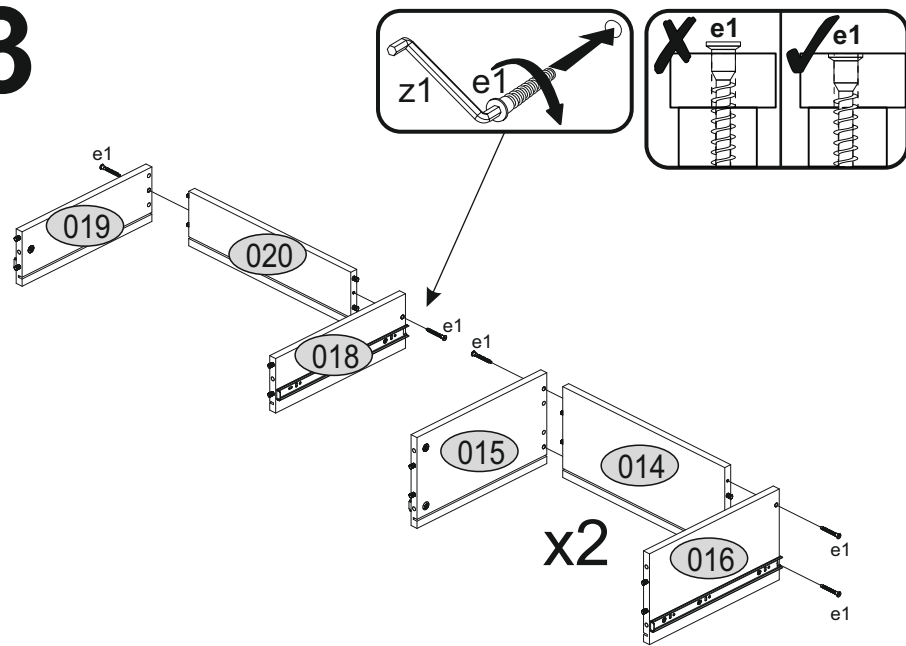
11



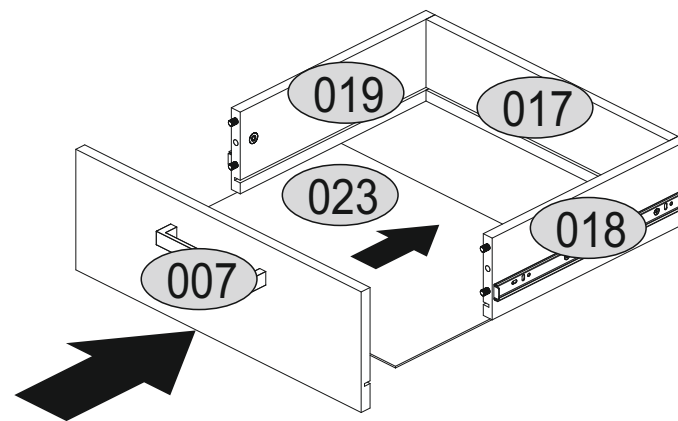
12



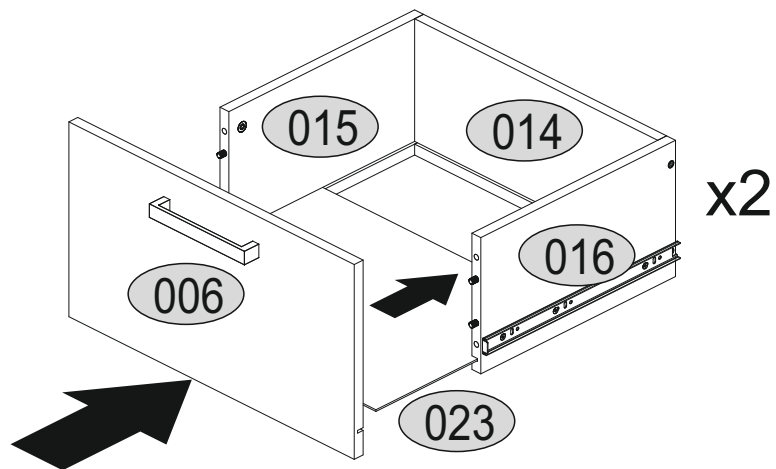
13



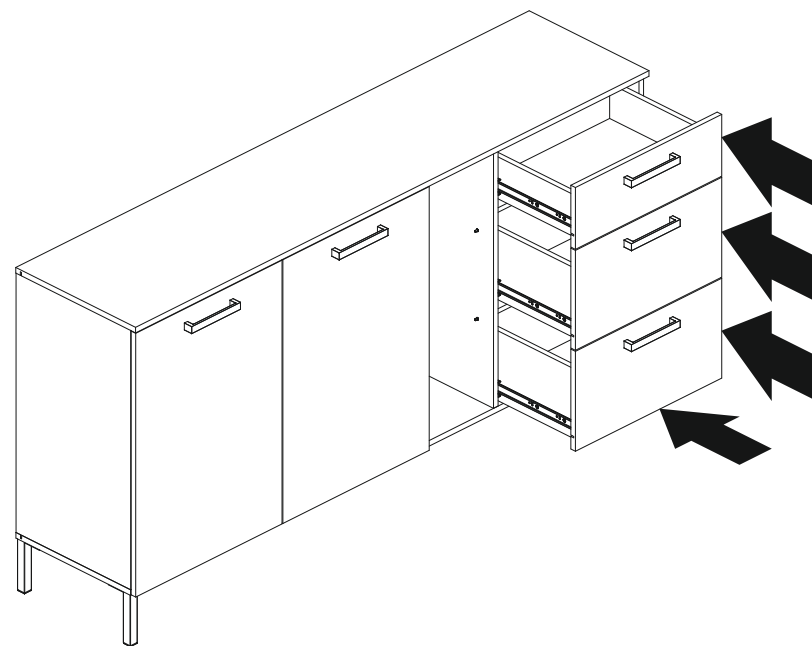
14



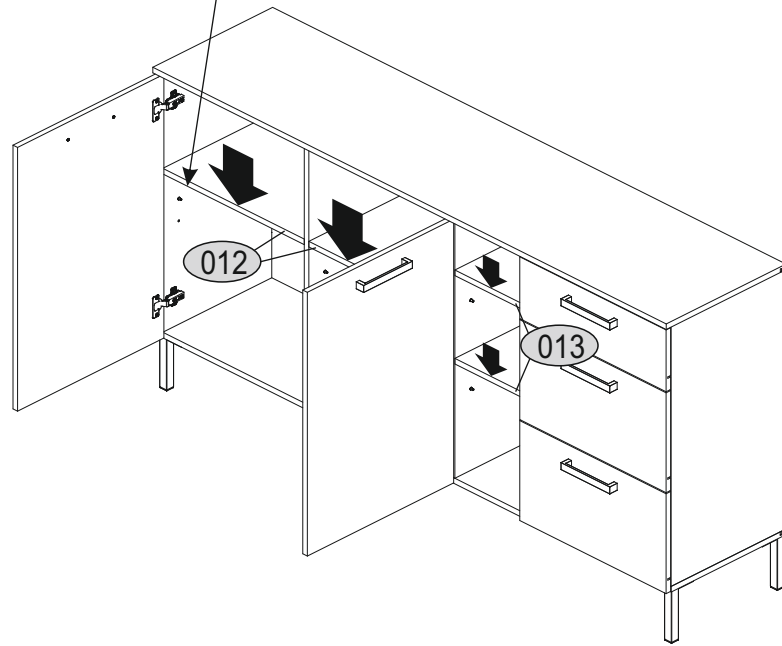
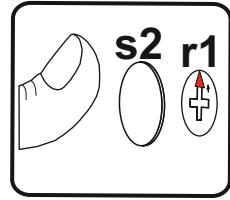
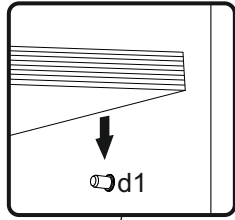
15



16



17



18

