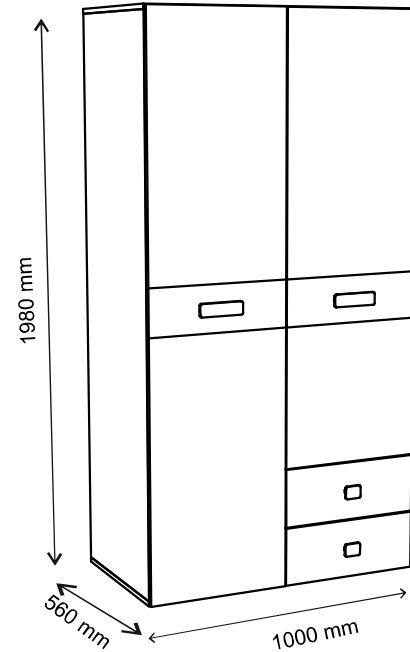
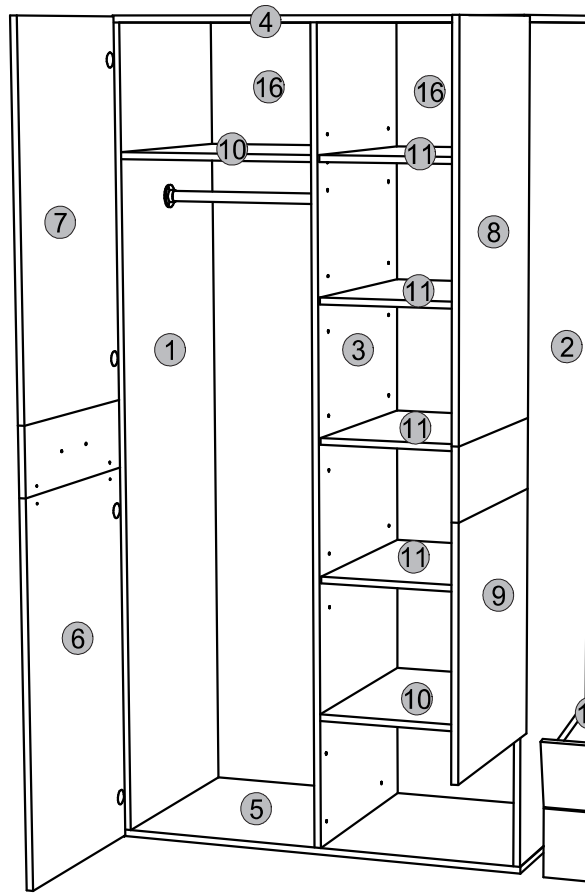
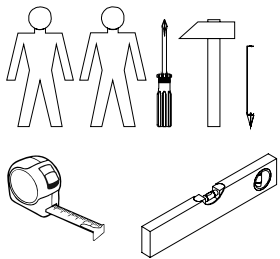
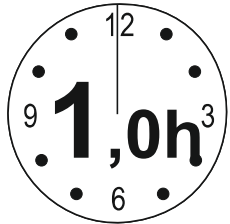




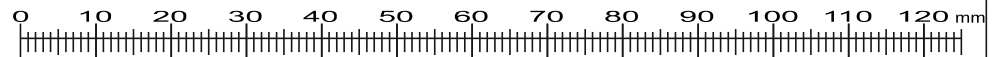
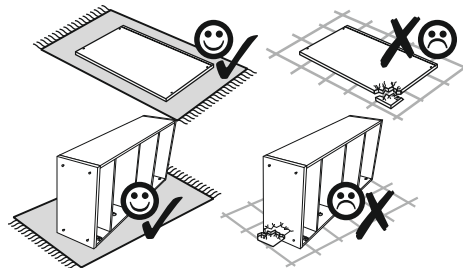
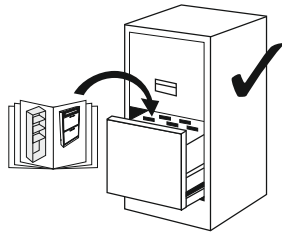
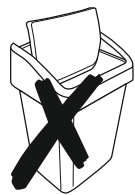
# Instalation manual

PAMP: Wardrobe 2D2S

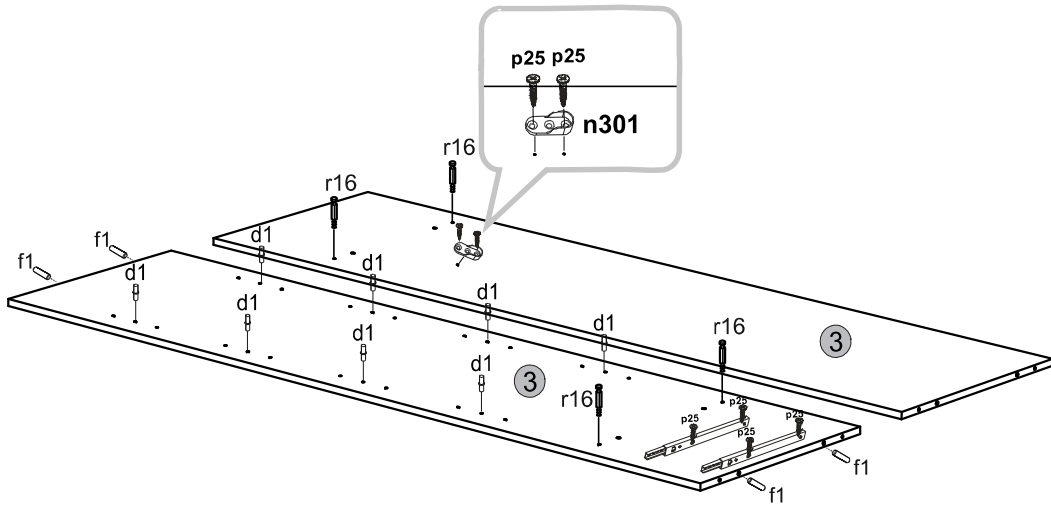


Element symbol	Dimensions				Code	Package
1	1928	544	16	1	SZF 2D2S.001	1/1
2	1928	544	16	1	SZF 2D2S.002	1/1
3	1928	541	16	1	SZF 2D2S.003	1/1
4	1000	544	16	1	SZF 2D2S.004	2/2
5	1000	544	16	1	SZF 2D2S.005	2/2
6	897	496	16	1	SZF 2D2S.006	3/3
7	1059	496	16	1	SZF 2D2S.007	3/3
8	1059	496	16	1	SZF 2D2S.008	3/3
9	487	496	16	1	SZF 2D2S.009	3/3
10	475	541	16	2	SZF 2D2S.010	2/2
11	475	530	16	4	SZF 2D2S.011	2/2
12	500	120	16	2	SZF 2D2S.012	2/2
13	500	120	16	2	SZF 2D2S.013	2/2
14	417	120	16	2	SZF 2D2S.014	2/2
15	496	202	16	2	SZF 2D2S.018	1/1
16	1946	492	3	2	SZF 2D2S.015	1/1
17	431	498	3	2	SZF 2D2S.016	1/1

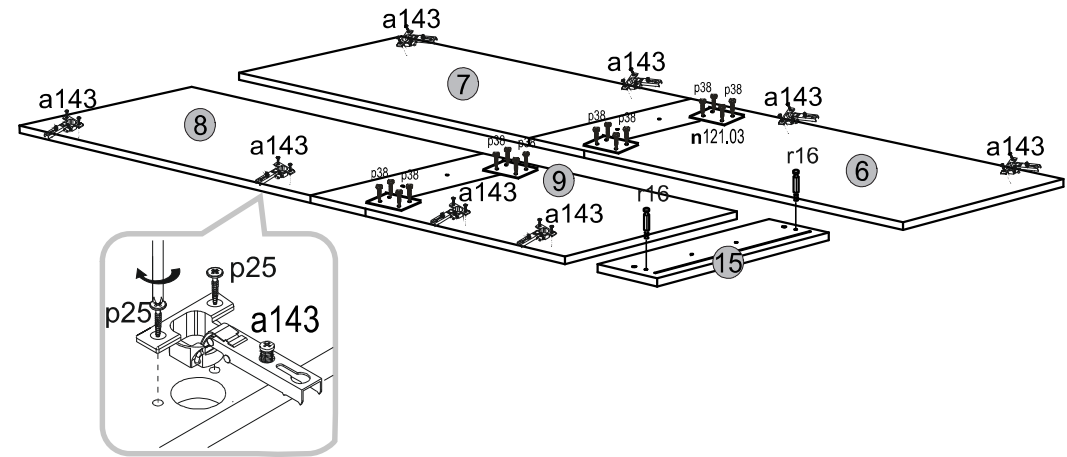
- 2x n301
- 4x n121.03
- 1x y1
- 1x z1
- 1x n14
- 1x f28
- 1x p12
- 16x p38
- 2x L-500
- 5x p52
- 16x e1
- 16x s1
- 28x f1
- 16x d1
- 80x l1
- 5x k311.05
- 10x p18
- 48x p25
- 2x c6k330/32
- 2x c6k330/128
- 8x p42
- 8x a144
- 8x b119
- 12x r16
- 12x s2
- 12x r1



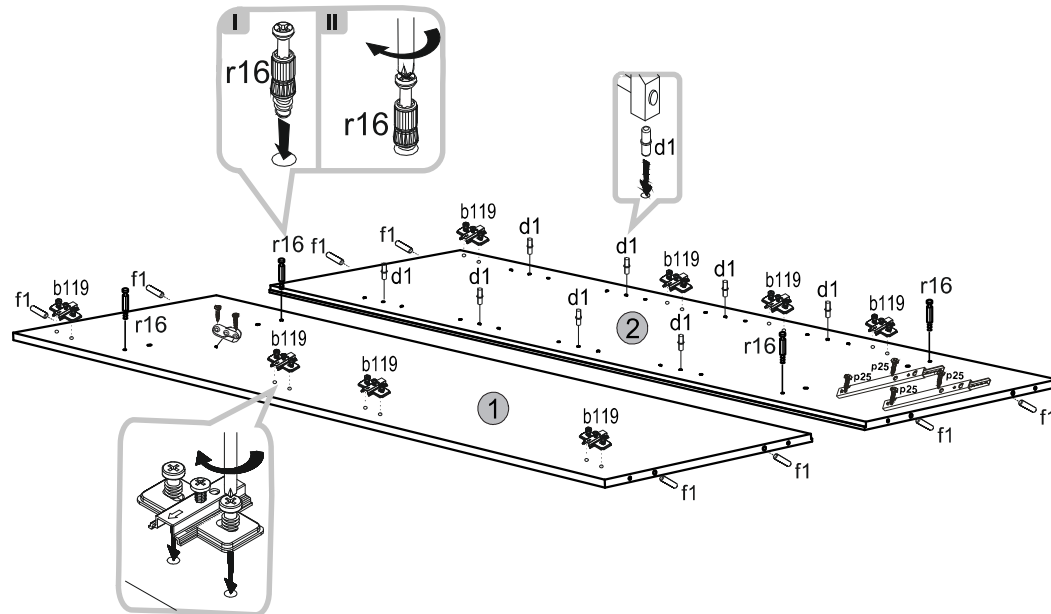
# 1



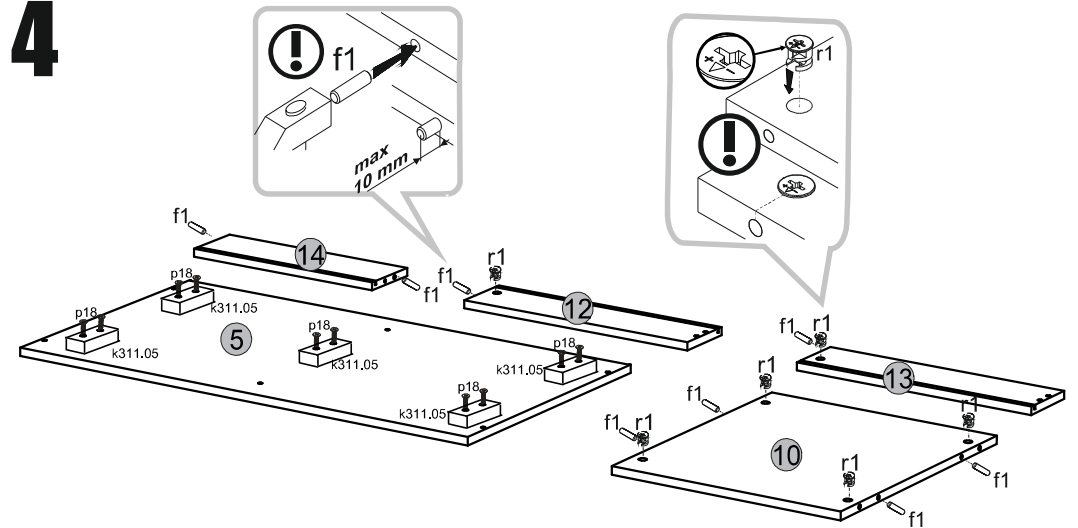
# 3

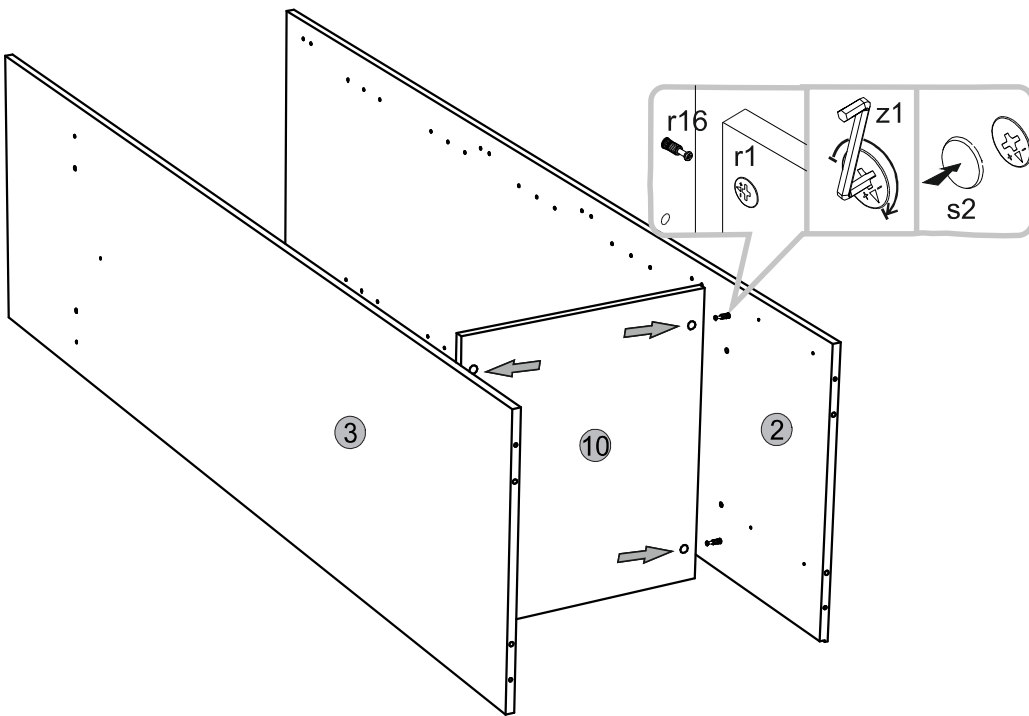
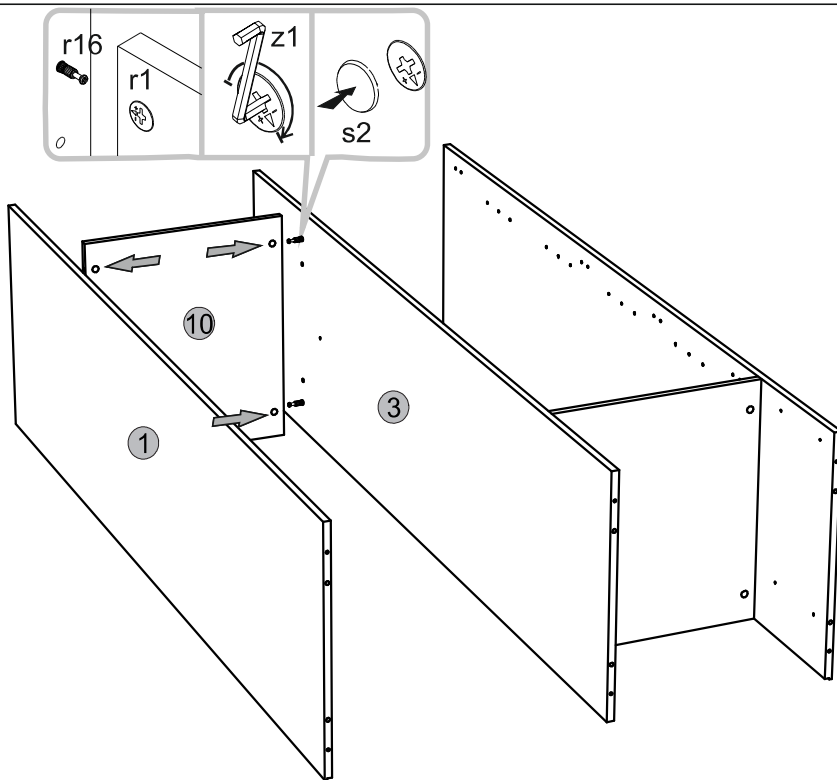
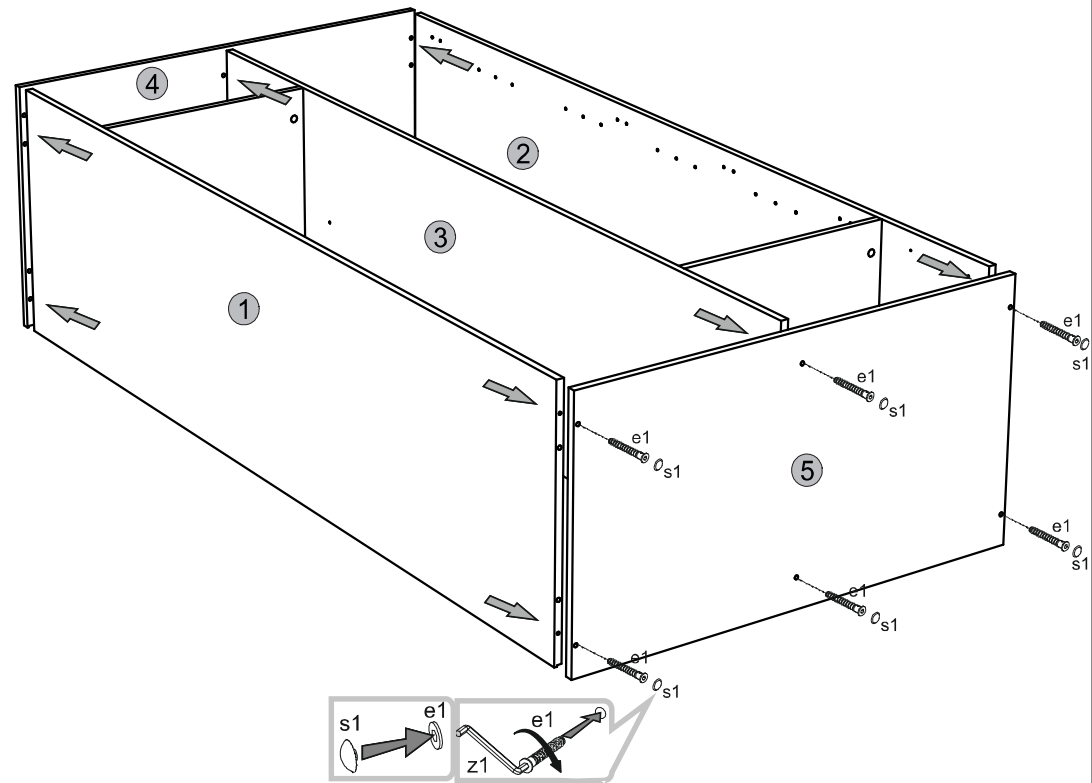


# 2

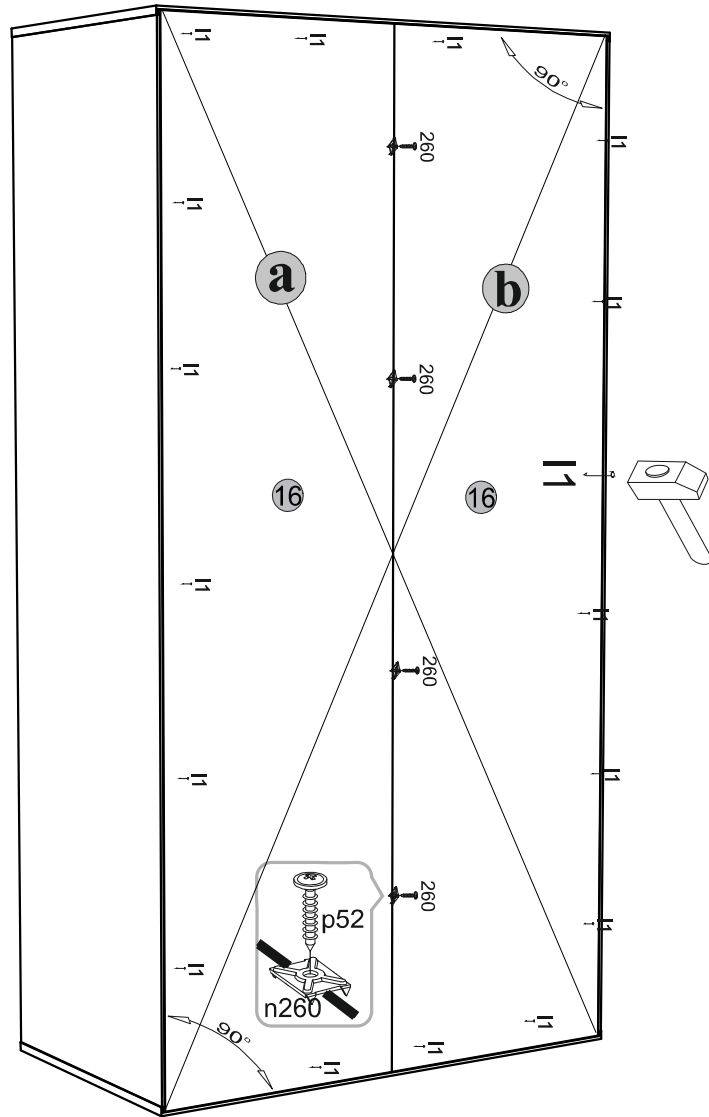
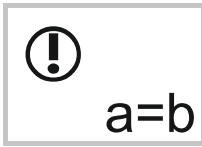


# 4

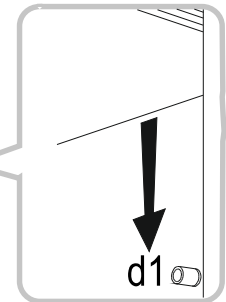
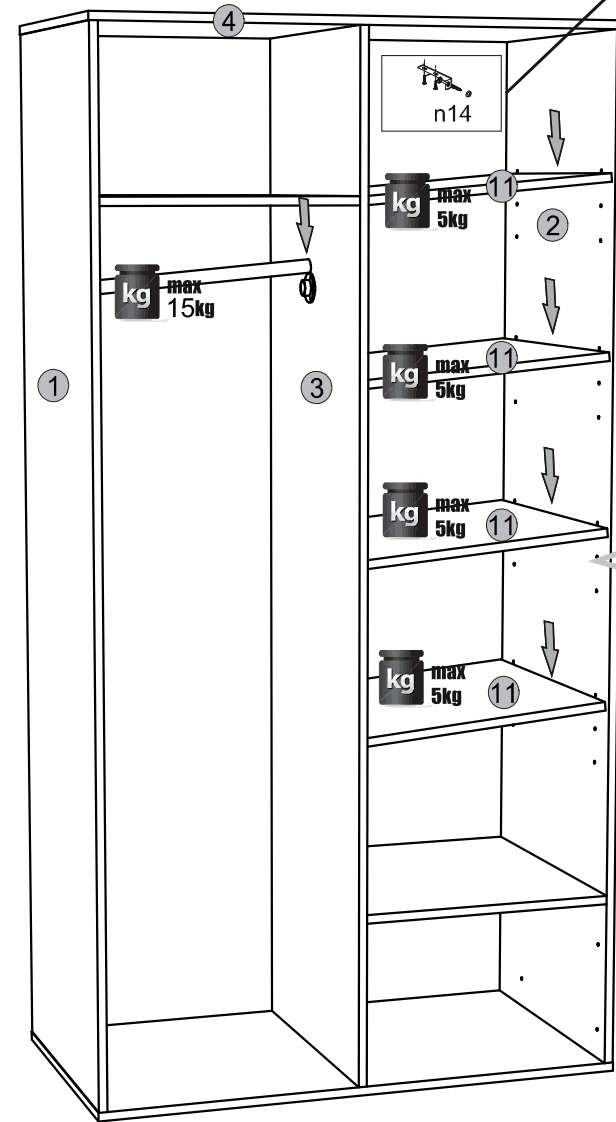
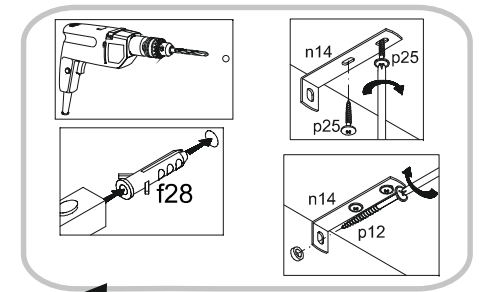


**5****6****7**

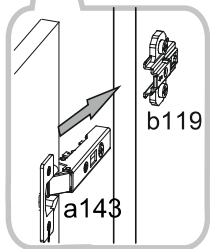
# 8



# 9



# 10



# 11

