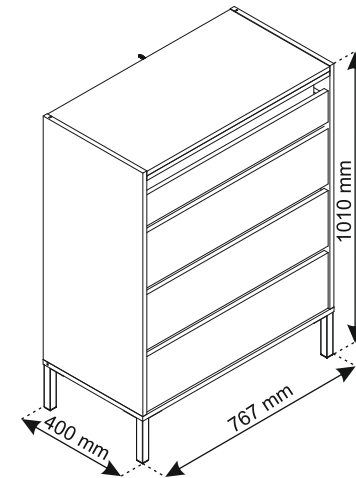
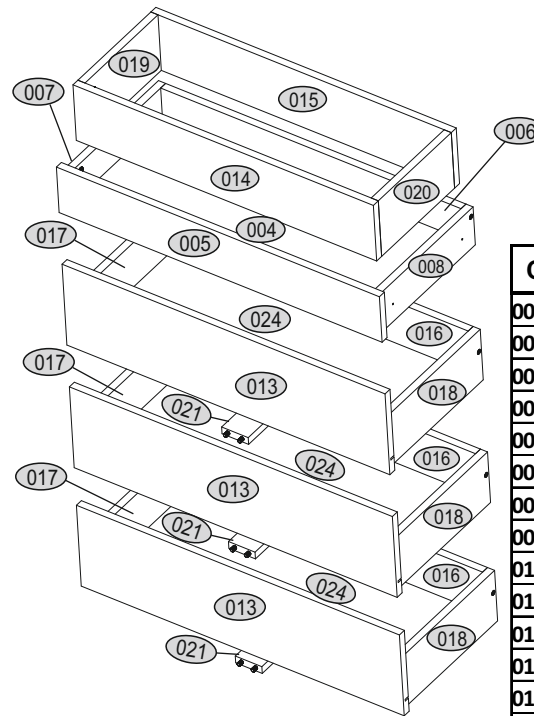
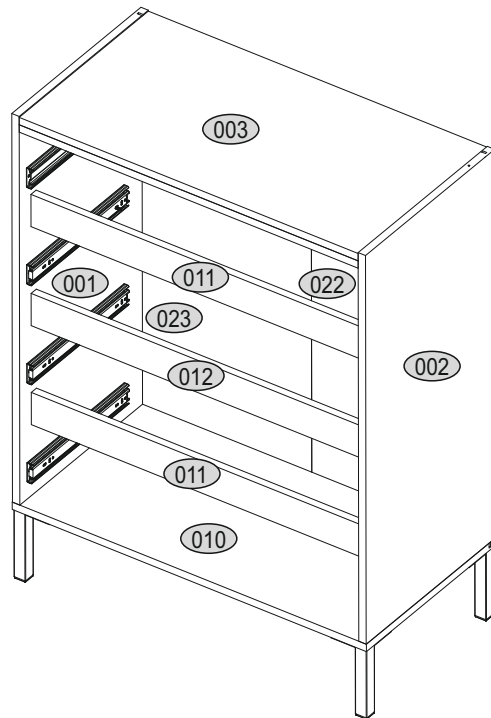
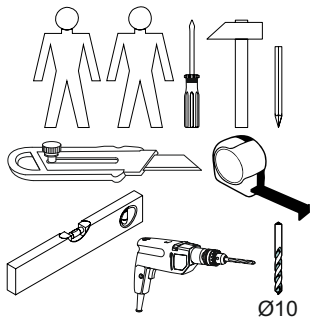
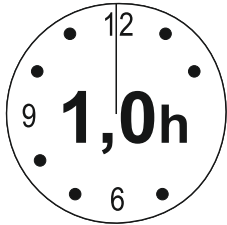


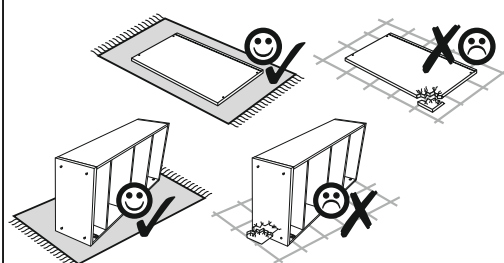
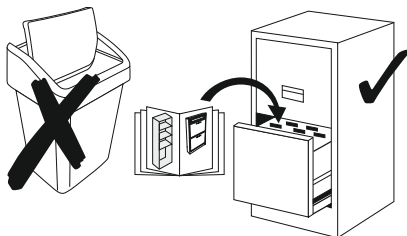


# Installation manual

## Palmor Chest 4S

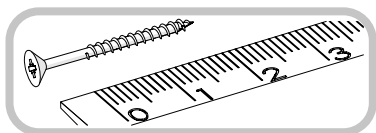


Code	Dimensions			Package	
001	844	400	16	1	1/2
002	844	400	16	1	1/2
003	735	400	16/32	1	2/2
004	284	678	16	1	1/2
005	729	108	16	1	2/2
006	678	90	16	1	1/2
007	300	90	16	1	1/2
008	300	90	16	1	1/2
010	768	400	16	1	2/2
011	735	70	16	2	2/2
012	735	70	16	1	2/2
013	729	192	16	3	2/2
014	678	132	16	1	1/2
015	678	132	16	1	1/2
016	678	120	16	3	1/2
017	300	120	16	3	1/2
018	300	120	16	3	1/2
019	132	236	16	1	2/2
020	132	236	16	1	2/2
021	284	60	16	3	2/2
022	845	376	3	1	1/2
023	845	376	3	1	1/2
024	302	696	3	3	1/2
accessories				1	1/2




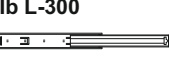


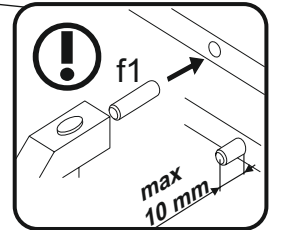
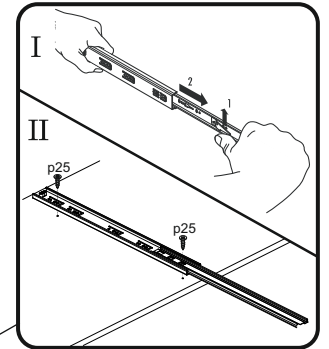
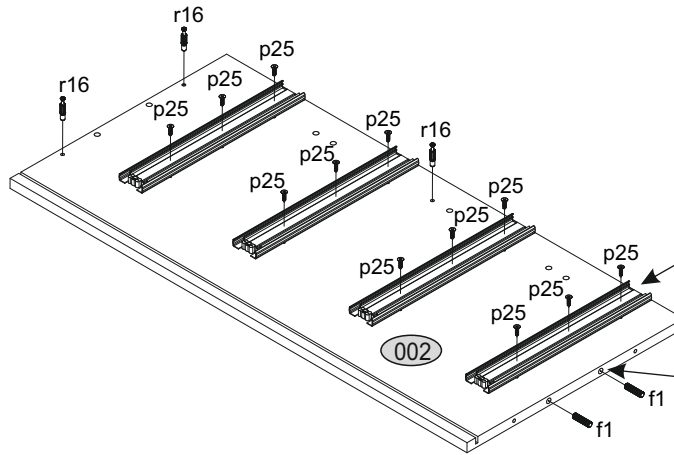
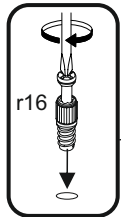
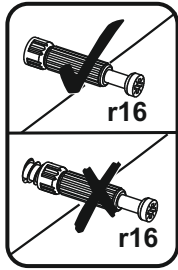
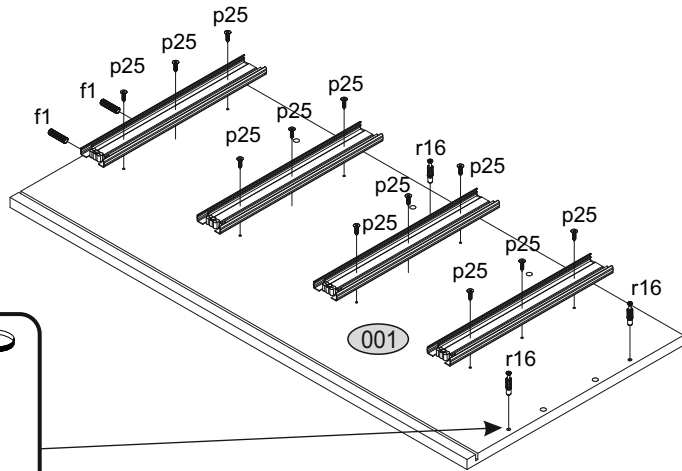
# Accessories:

<p>4x lb L-300</p> 	<p>x4 k311.054</p> 	<p>1x n14</p> 	<p>1x p17 Ø6x50</p> 
<p>1x f3 Ø10x50</p> 	<p>18x e1 Ø7x50</p> 	<p>1x z1</p> 	<p>16x r1</p> 
<p>8x l2</p> 	<p>16x r16</p> 	<p>70x f1 Ø8x30</p> 	<p>74x p25 Ø3.5x16</p> 
<p>8x s2</p> 			





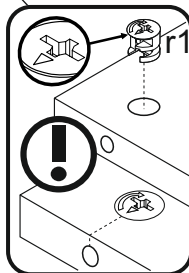
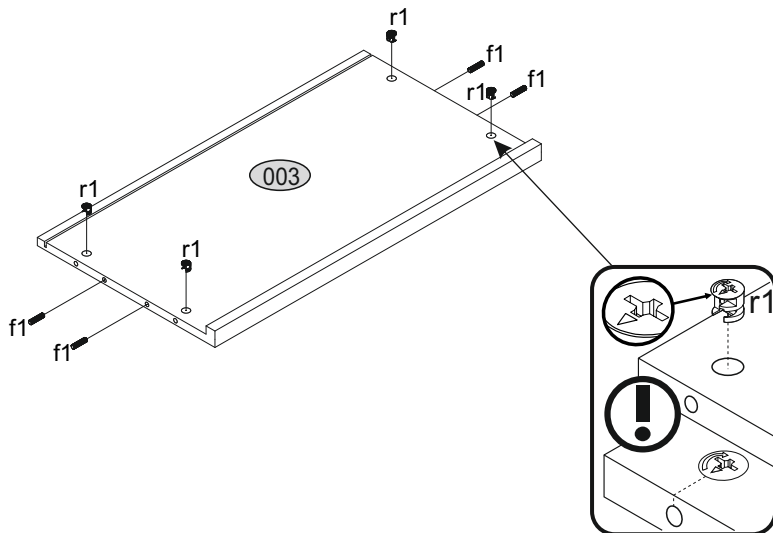
# 1

<b>f1</b> 	<b>r16</b> 	<b>p25</b> 	<b>lb L-300</b> 
x4	x6	x24	x4



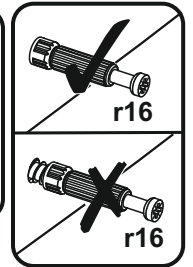
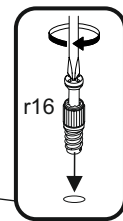
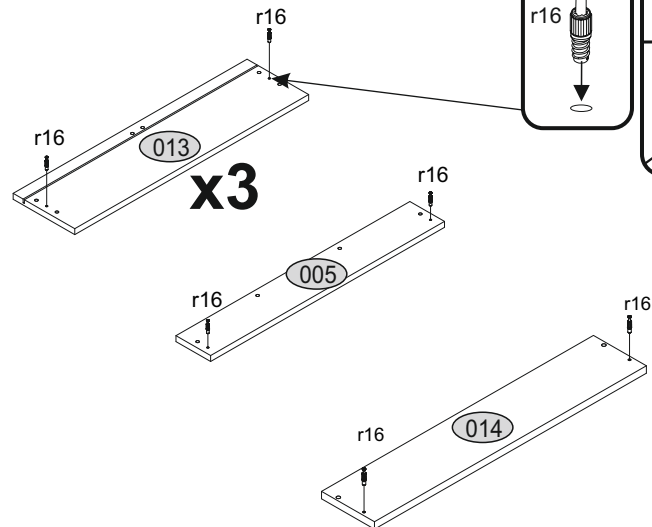
# 2

<b>f1</b> 	<b>r1</b> 
x4	x4

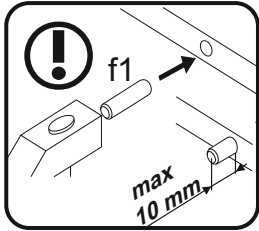
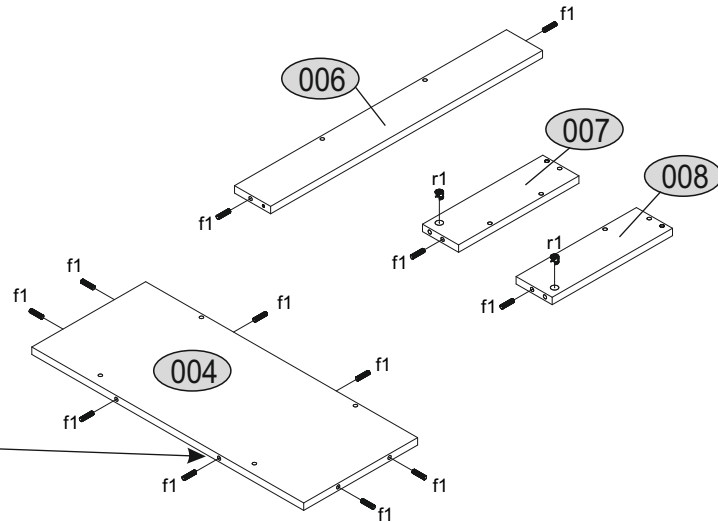
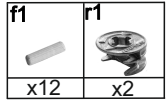


# 3

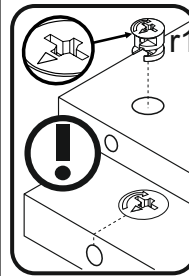
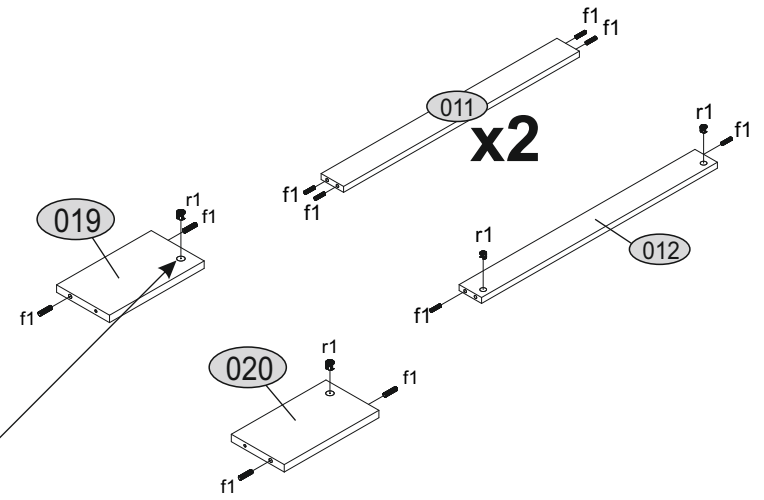
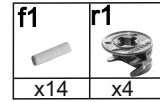
<b>r16</b> 
x10



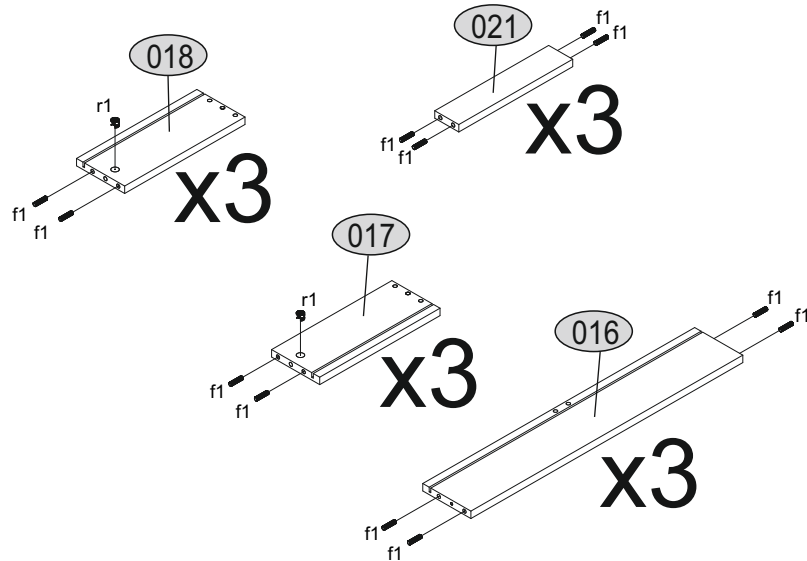
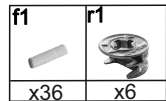
# 4



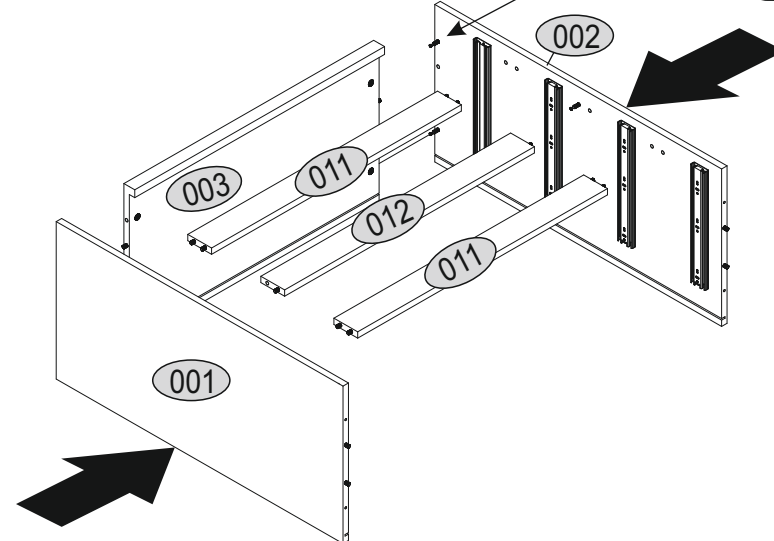
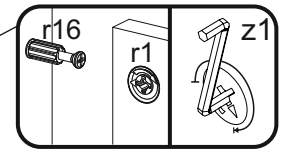
# 5



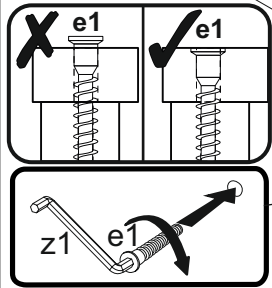
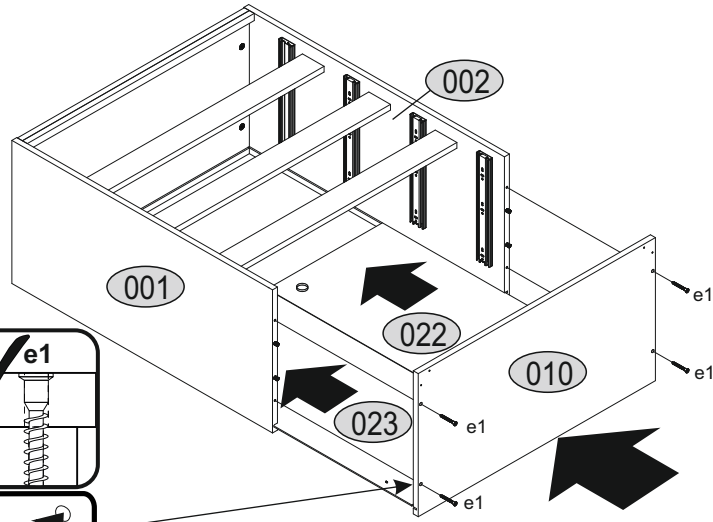
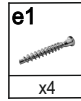
# 6



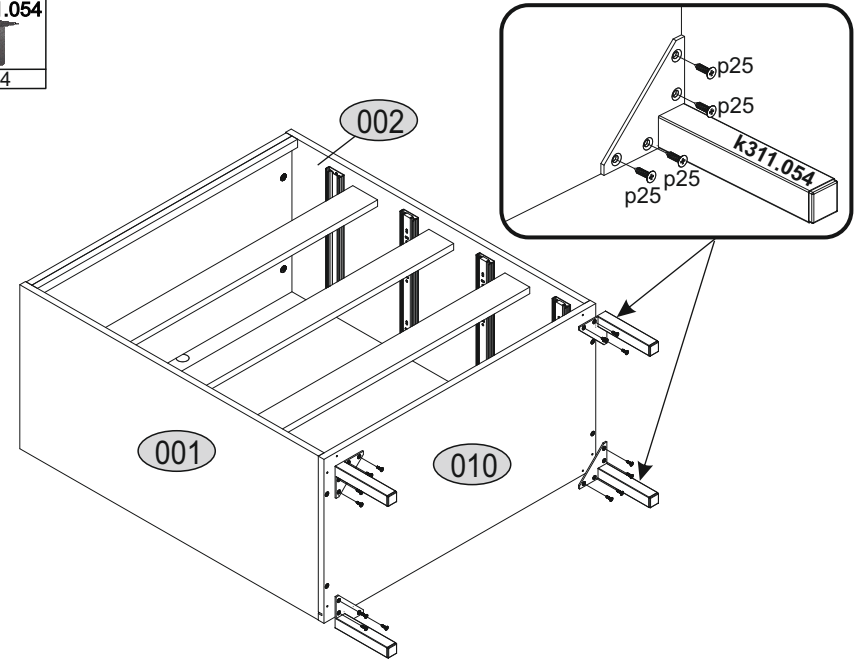
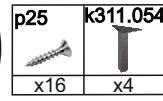
# 7



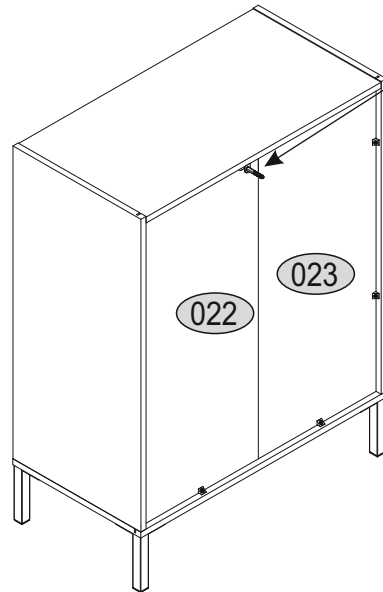
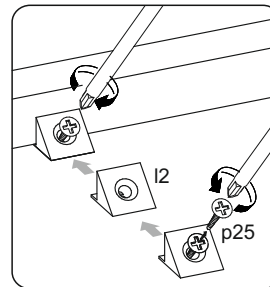
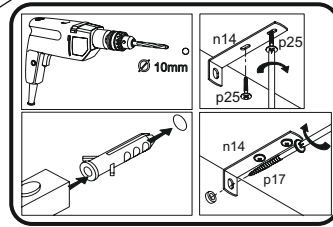
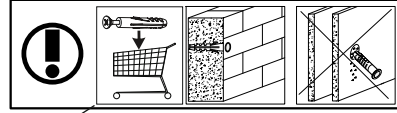
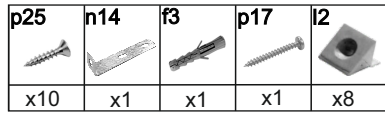
# 8



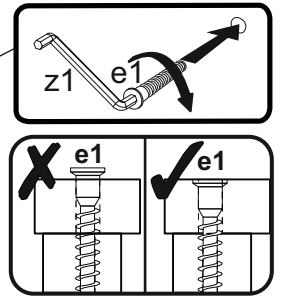
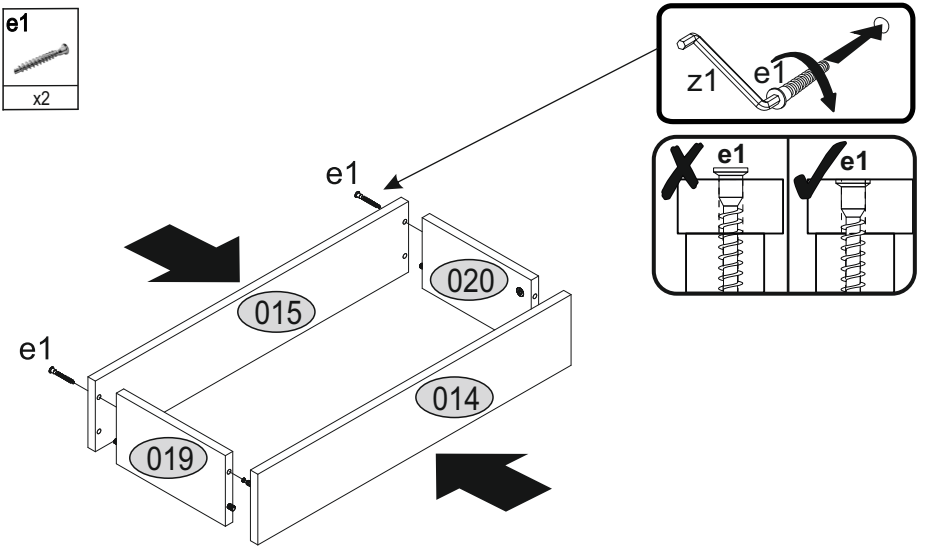
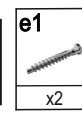
# 9



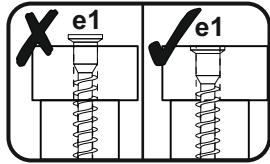
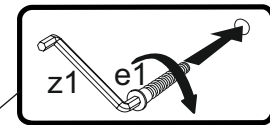
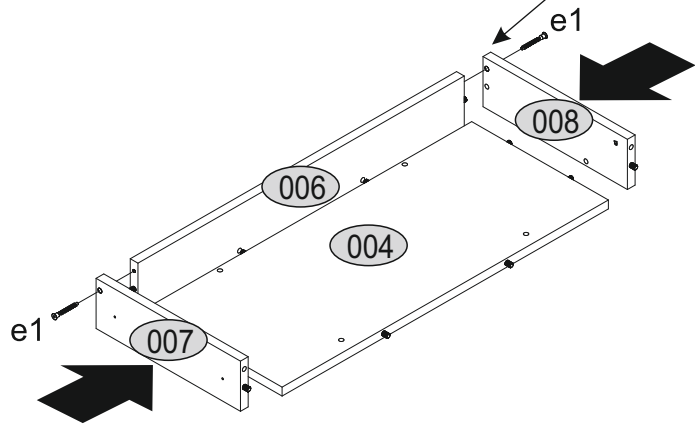
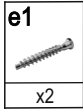
# 10



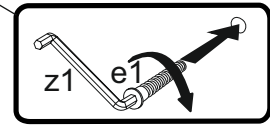
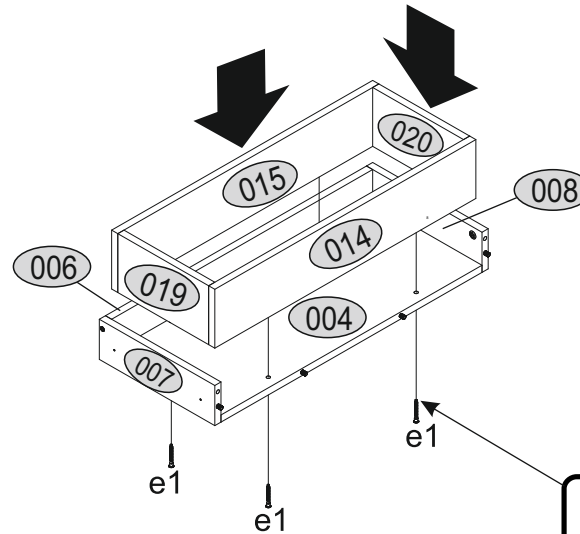
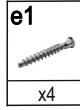
# 11



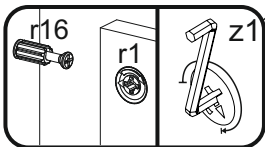
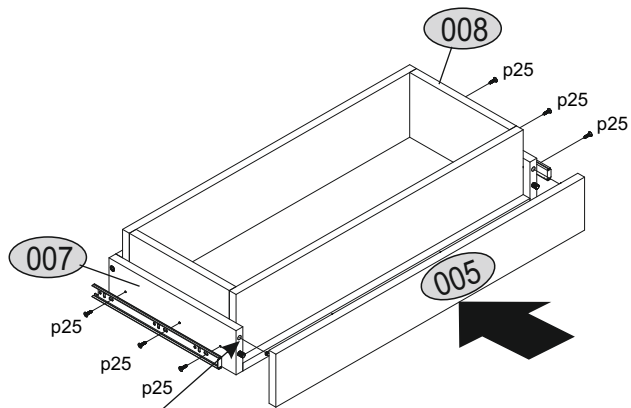
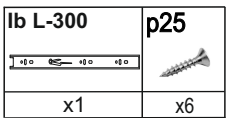
# 12



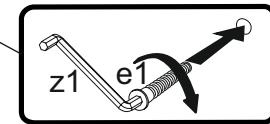
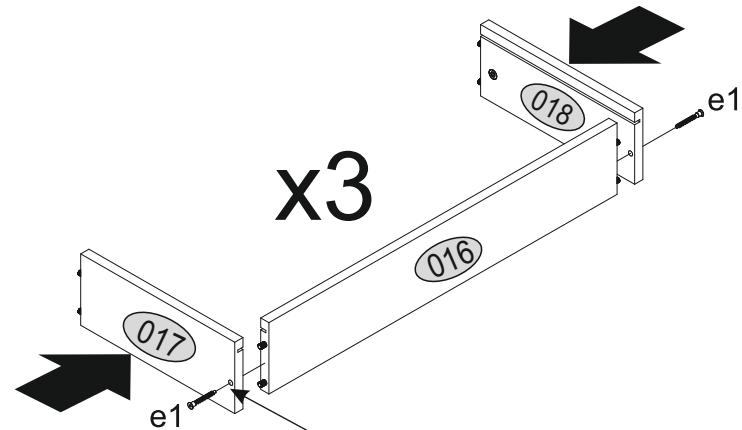
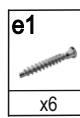
# 13



# 14



# 15



# 16

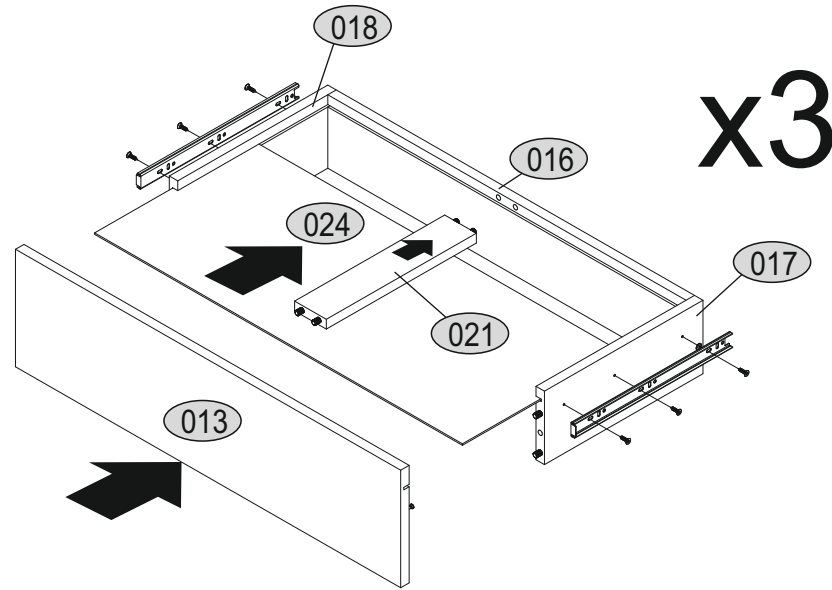
Ib L-300

p25



x3

x18



# 17

s2



x8

