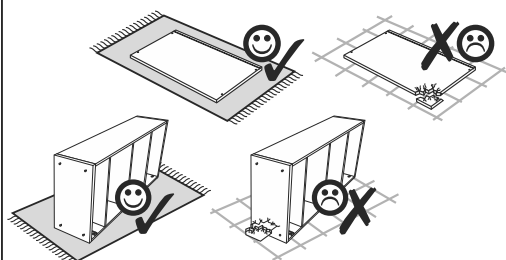
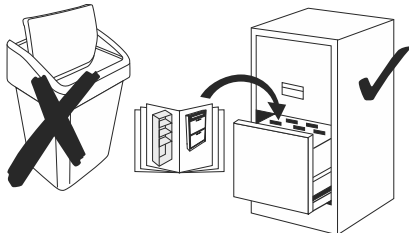
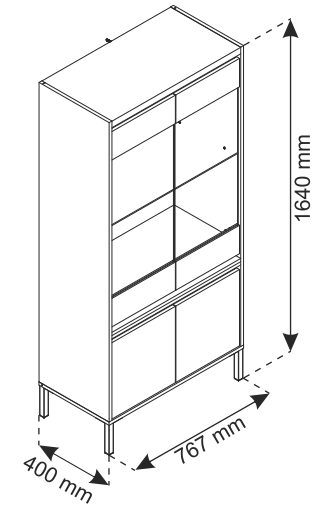
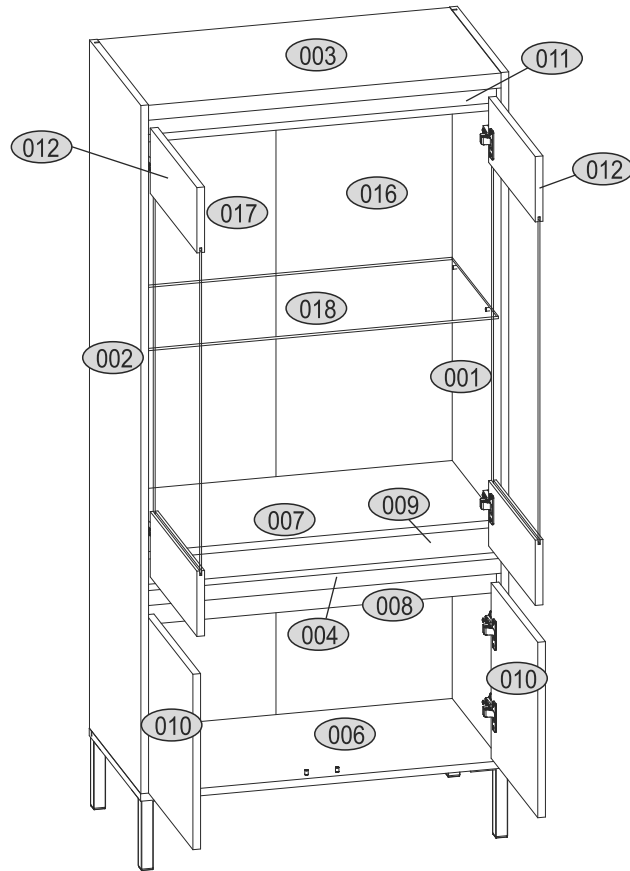
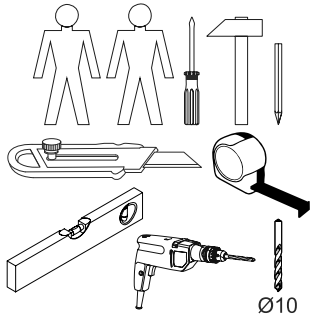


Installation manual

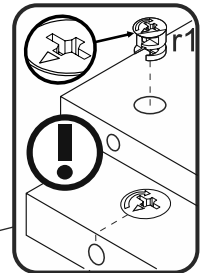
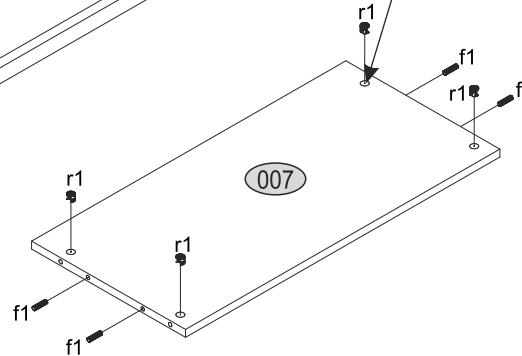
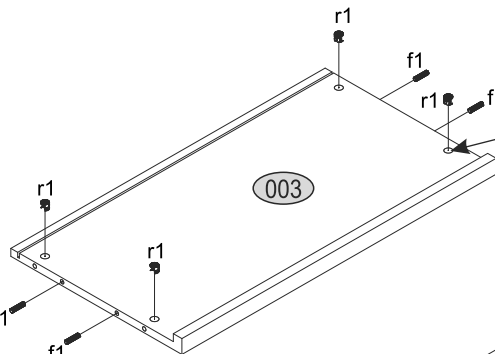
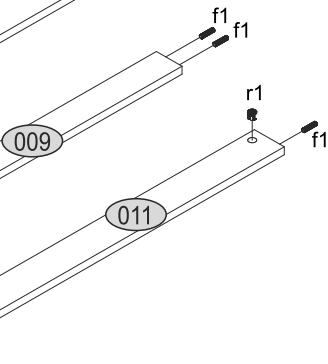
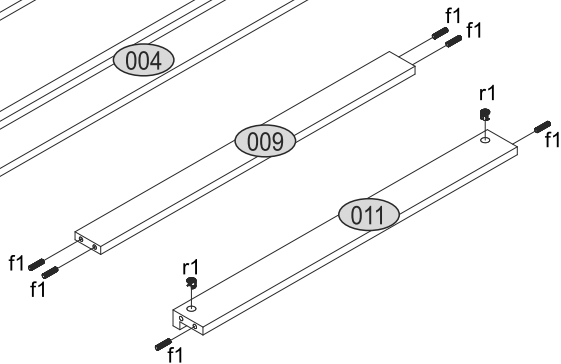
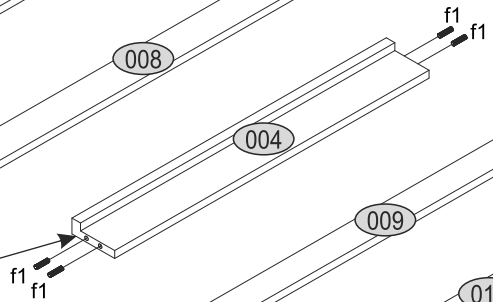
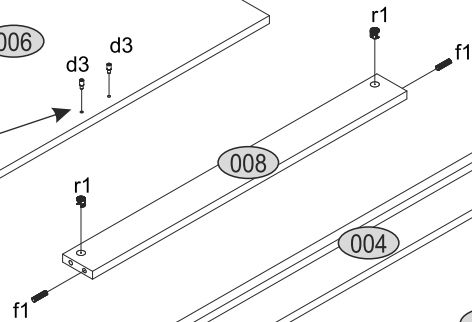
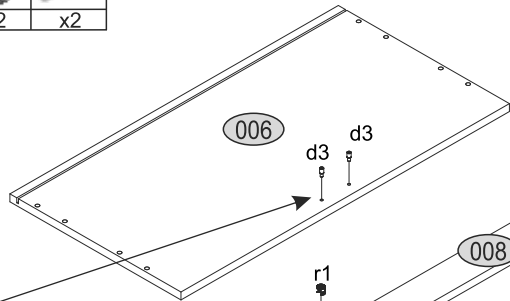
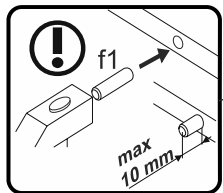
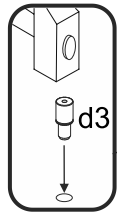
Palmor Showcase 2W2D



Code	Dimensions			Package	
001	1475	400	16	1	2/4
002	1475	400	16	1	2/4
003	735	400	16/32	1	1/4
004	735	100	16/32	1	1/4
006	768	400	16	1	1/4
007	735	360	16	1	1/4
008	735	70	16	1	1/4
009	735	60	16	1	1/4
010	376	363	16	2	1/4
011	735	70	16/32	1	1/4
012	962	140	16	2	3/4
016	1476	376	3	1	2/4
017	1476	376	3	1	2/4
018	735	360	5	1	4/4
accessories				1	1/4

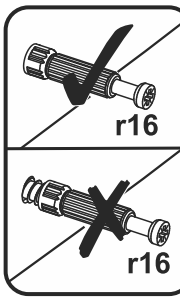
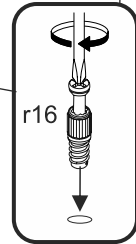
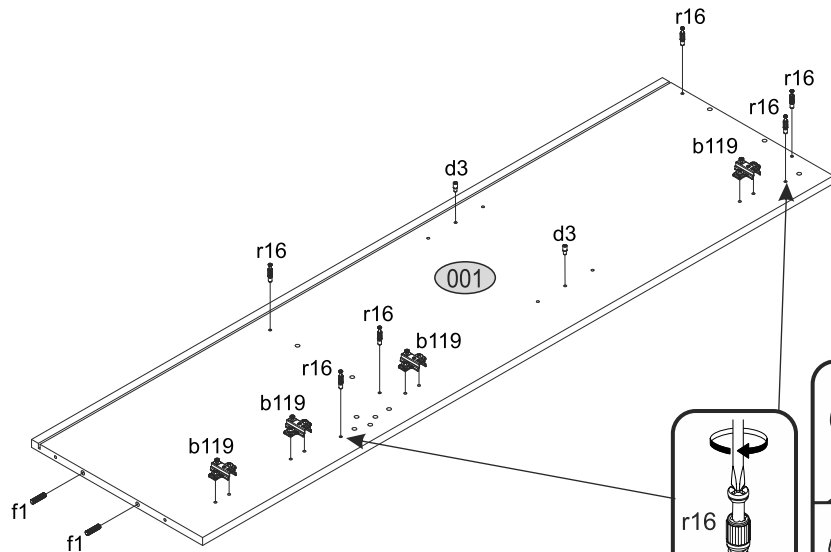
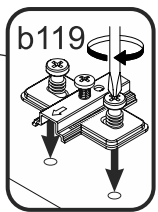
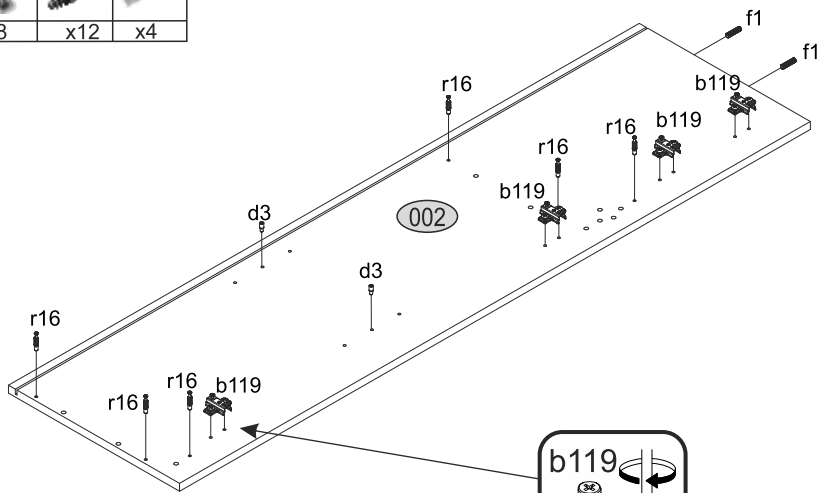
1

f1	r1	d3
x20	x12	x2



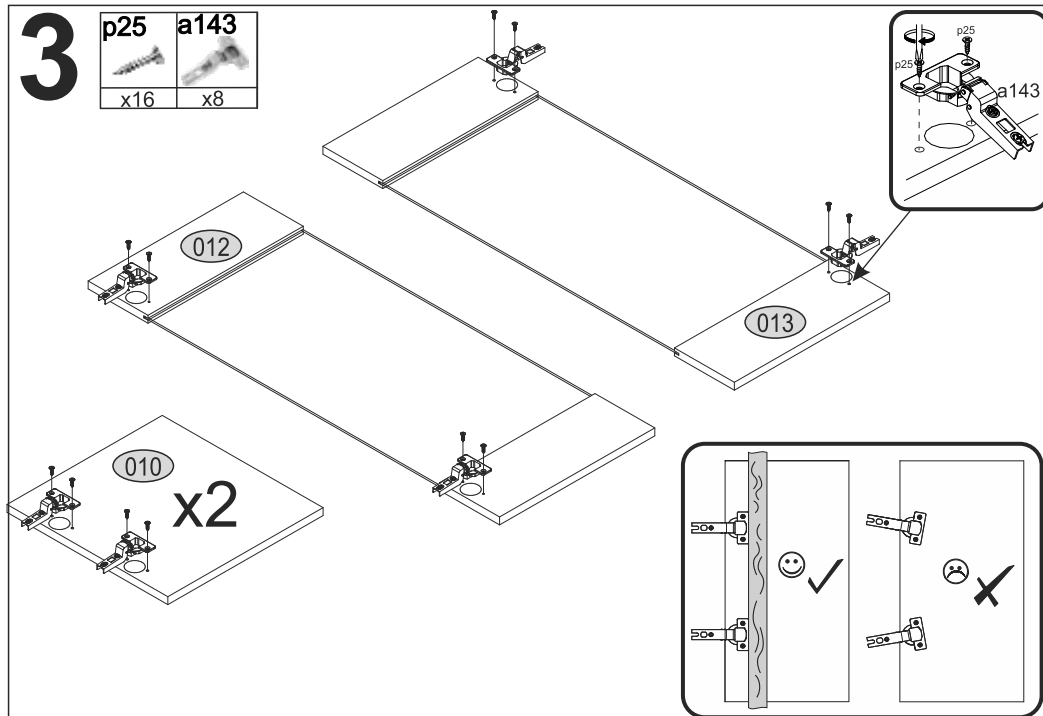
2

f1	b119	r16	d3
x4	x8	x12	x4



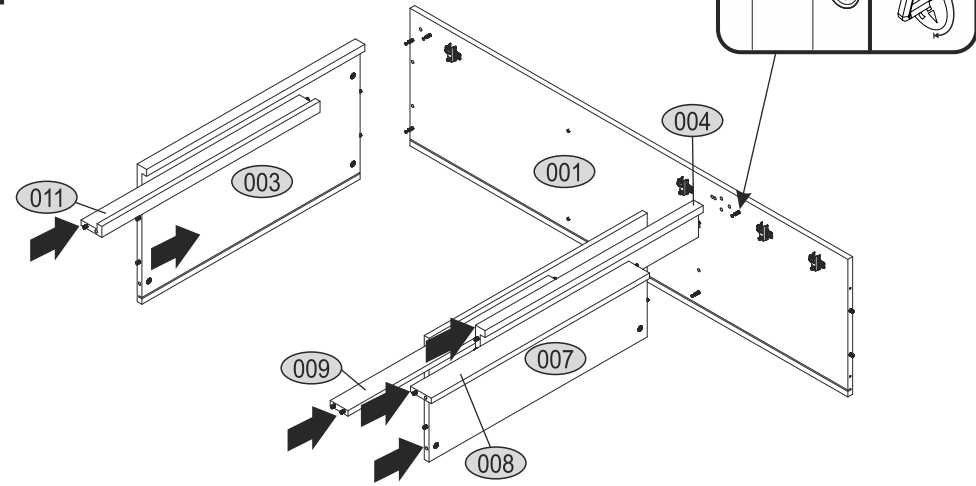
3

p25 x16
a143 x8

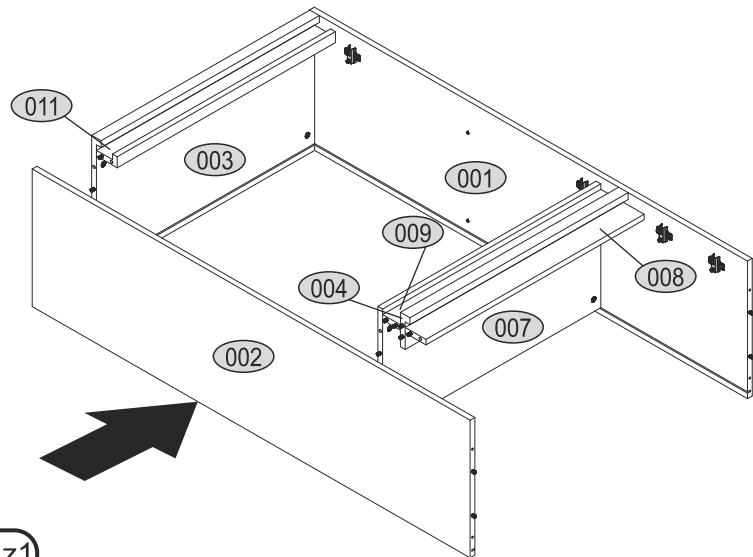


4

r16 r1 z1

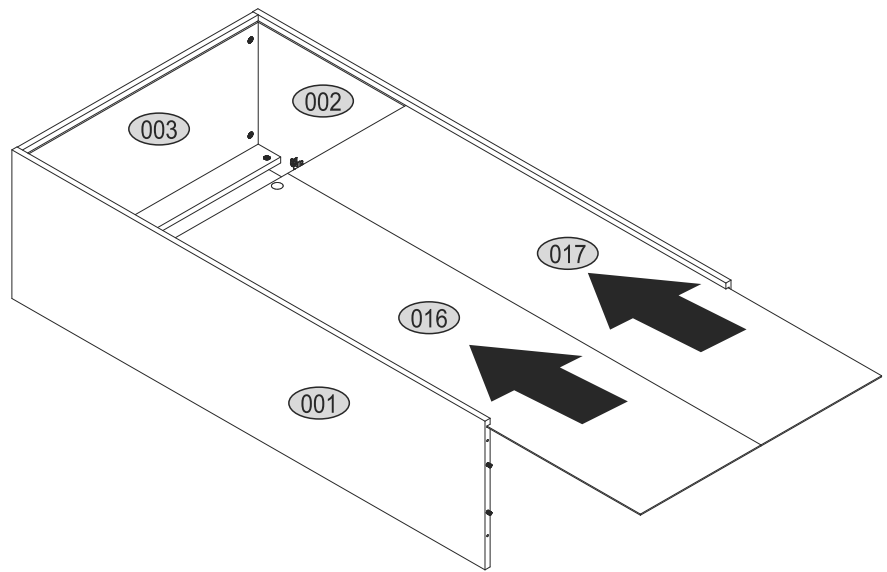


5



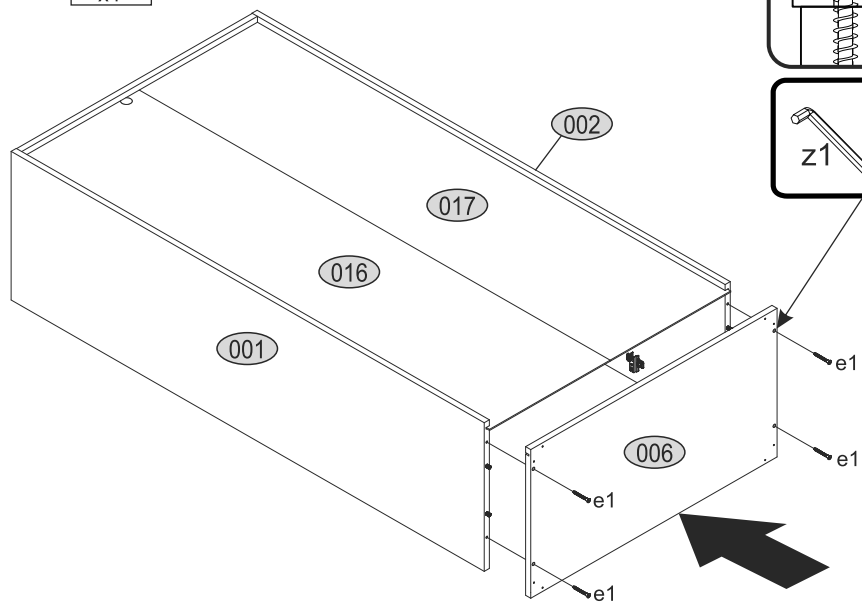
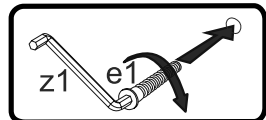
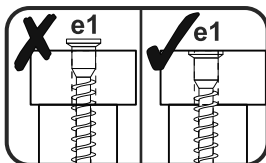
r16 r1 z1

6



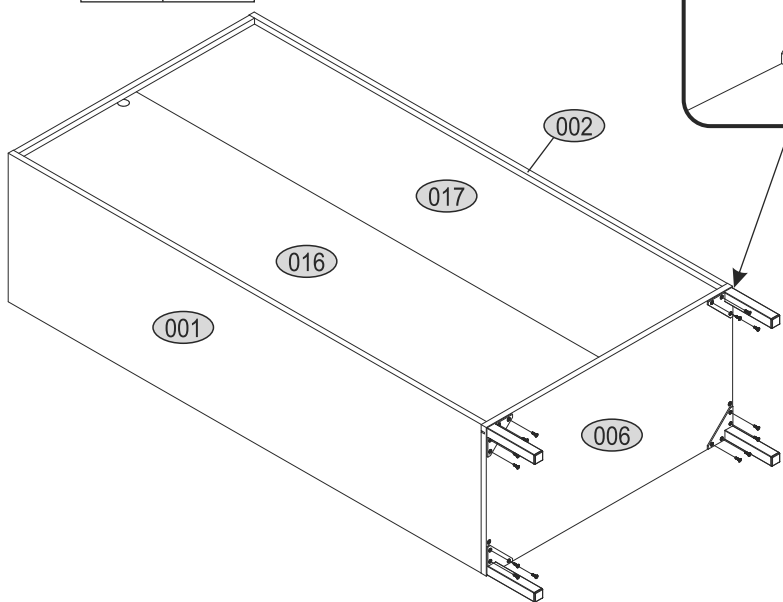
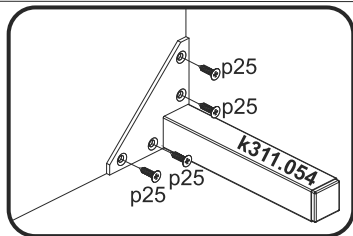
7

e1
x4



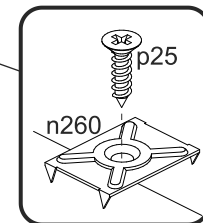
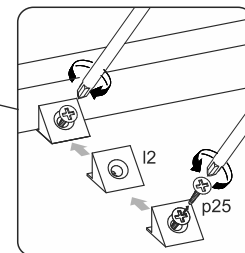
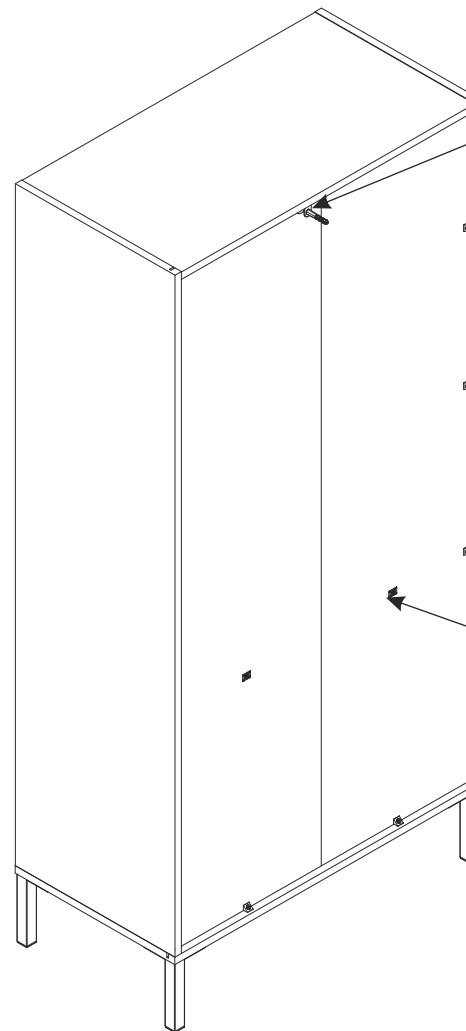
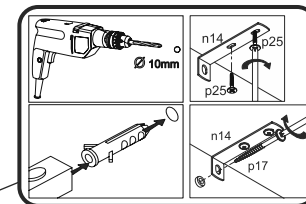
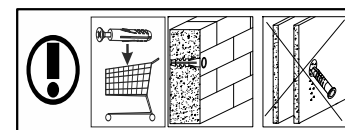
8

p25 k311.054
x16 x4

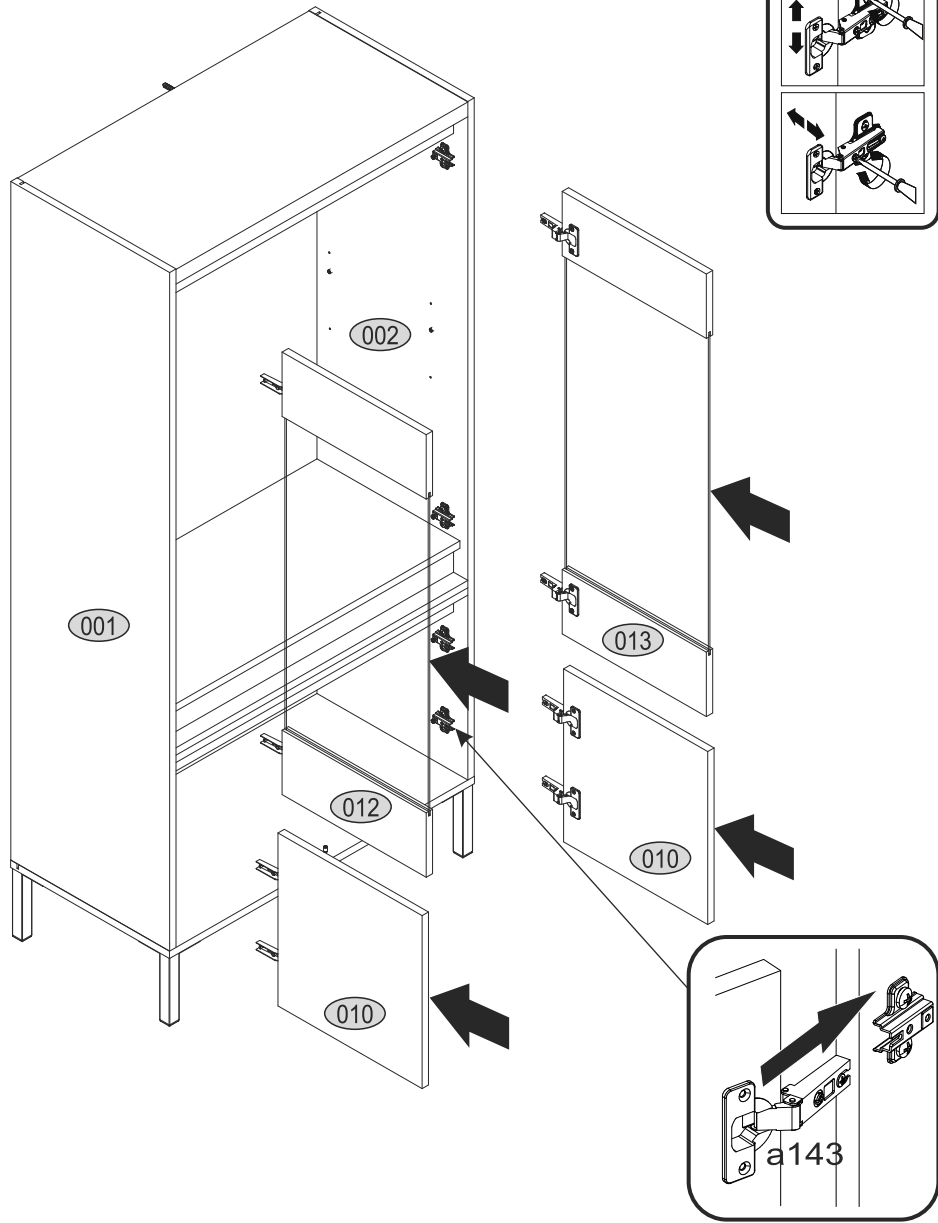


9

p25 l2 n260.01 n14 f3 p17
x14 x10 x2 x1 x1 x1

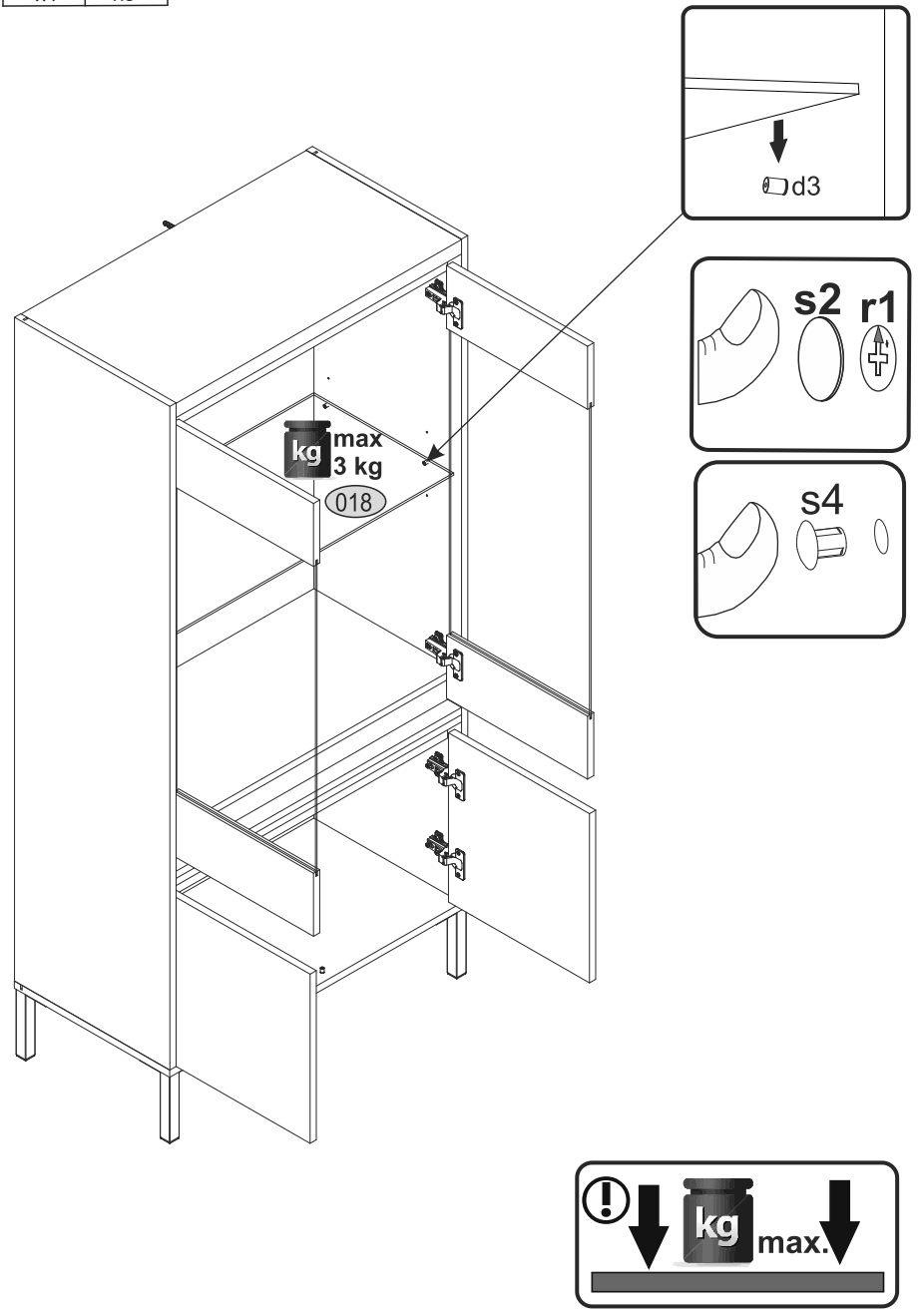


10



















11

s2	s4
x4	x8



Accessories:

<p>6x d3</p> 	<p>4x k311.054</p> 	<p>8x a143</p> 	<p>4x s2</p> 
<p>8x b119</p> 	<p>1x n14</p> 	<p>1x p17 Ø6x50</p> 	<p>1x f3 Ø10x50</p> 
<p>4x e1 Ø7x50</p> 	<p>12x r1 Ø15x12</p> 	<p>10x l2</p> 	<p>12x r16 Ø5x24</p> 
<p>24x f1 Ø8x30</p> 	<p>46x p25 Ø3.5x16</p> 	<p>2x n260.01</p> 	<p>1x z1</p> 
<p>8x s4</p> 