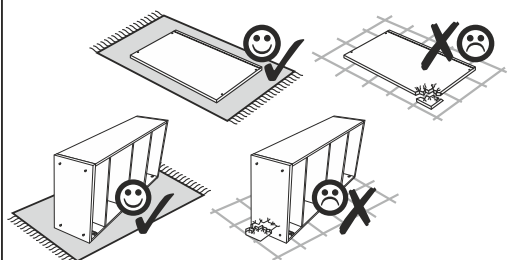
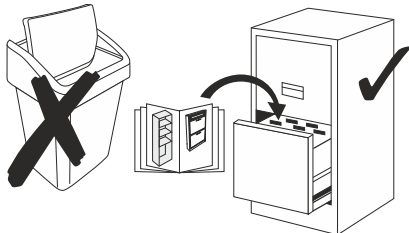
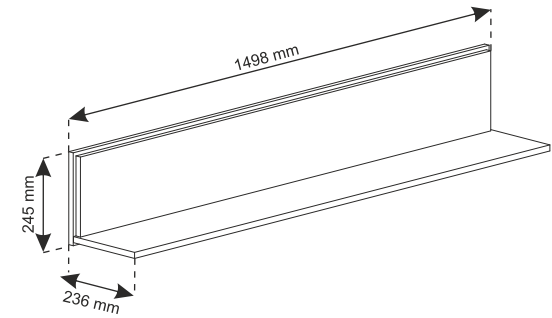
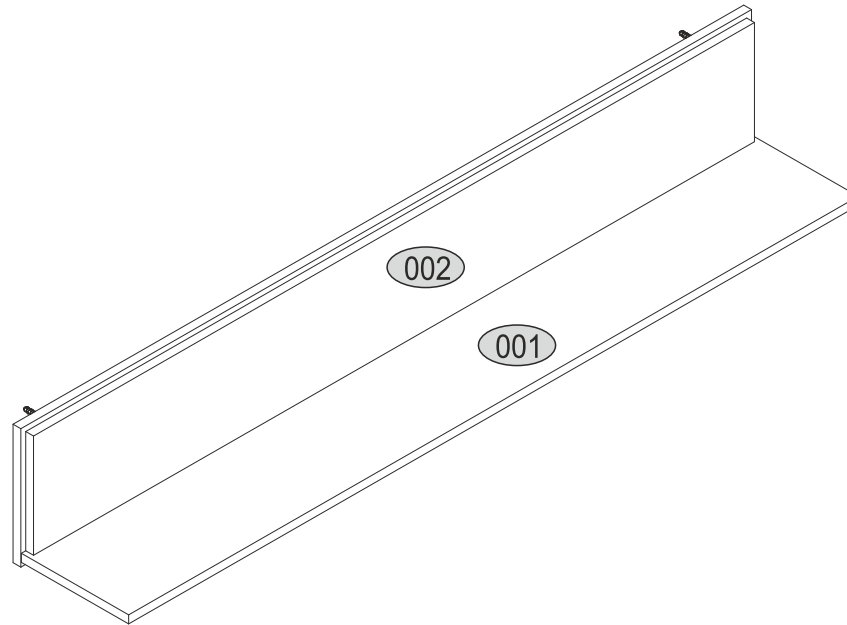
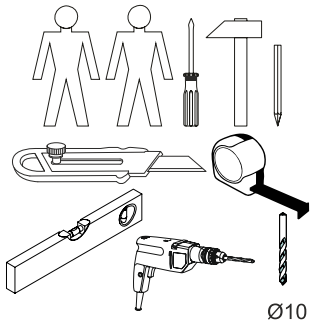
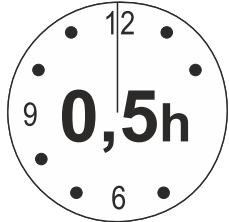


Installation manual

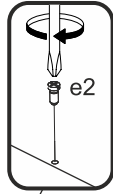
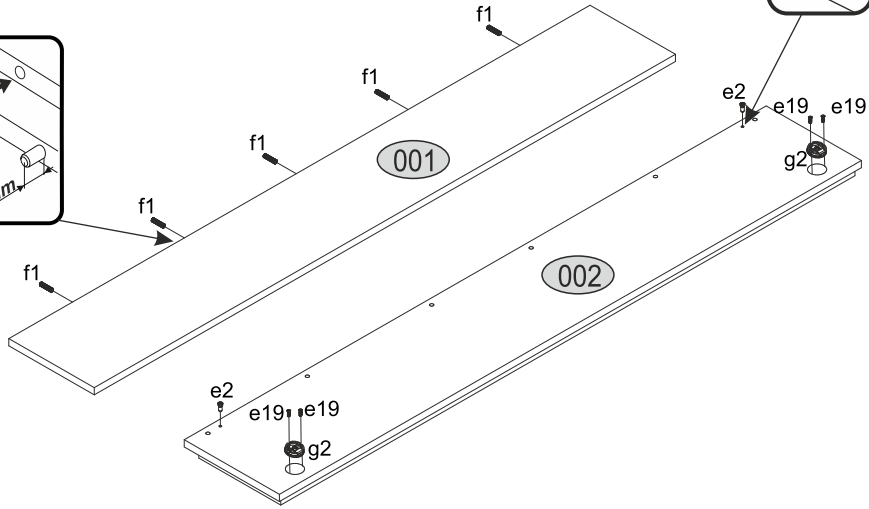
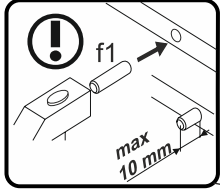
Palmor Shelf 150



Code	Dimensions				Package	
001	1496	220	16	1	1/1	
002	1498	245	16/32	1	1/1	
accessories				1	1/1	

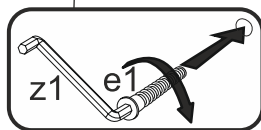
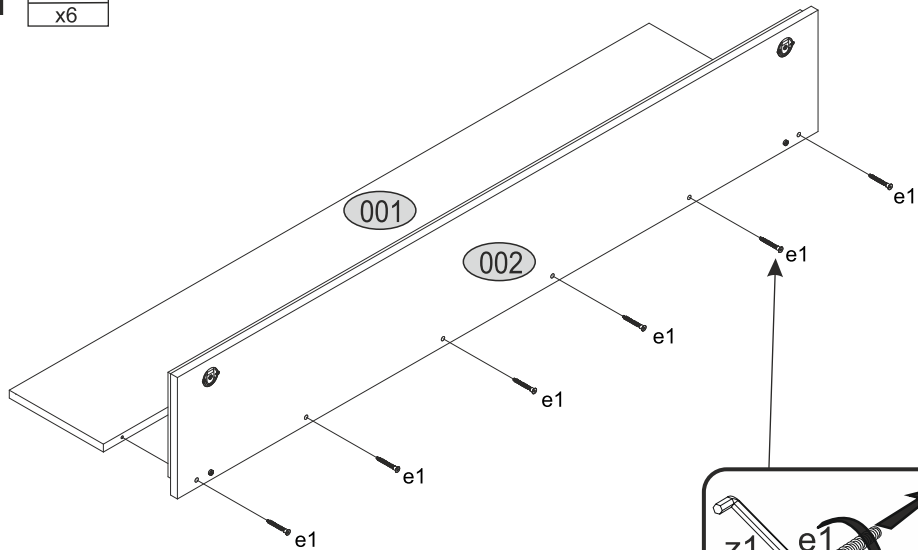
1

f1 	e2 	e19 	g2
x5	x2	x4	x2



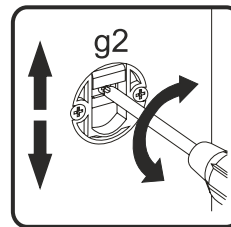
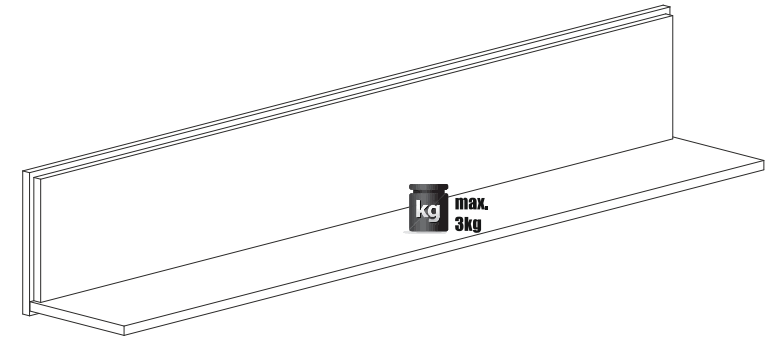
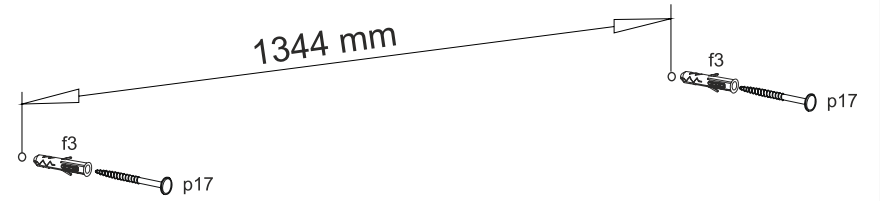
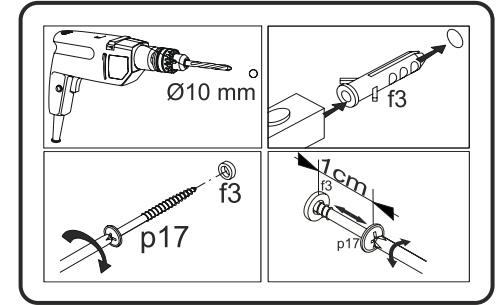
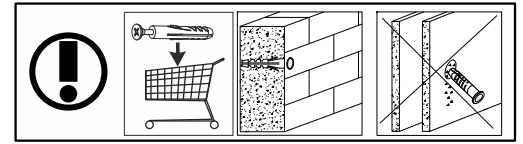
2

e1
x6










3

f3 	p17
x2	x2



Accessories:

2x g2 	2x f3 Ø10x50 	2x p17 Ø6x50 	6x e1 Ø7x50 
5x f1 Ø8x30 	2x e2 Ø6.3x13 	4x e19 Ø5x9 	1x z1 