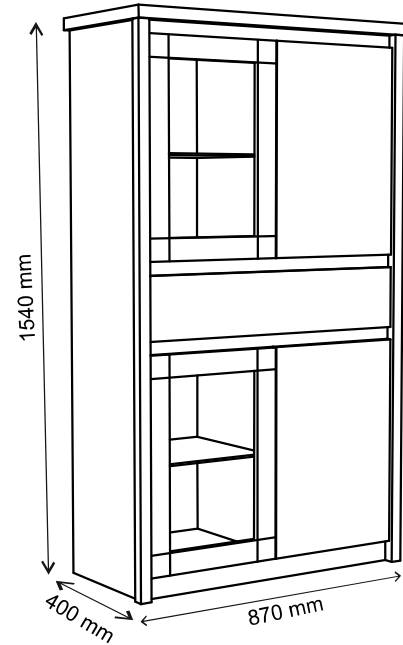
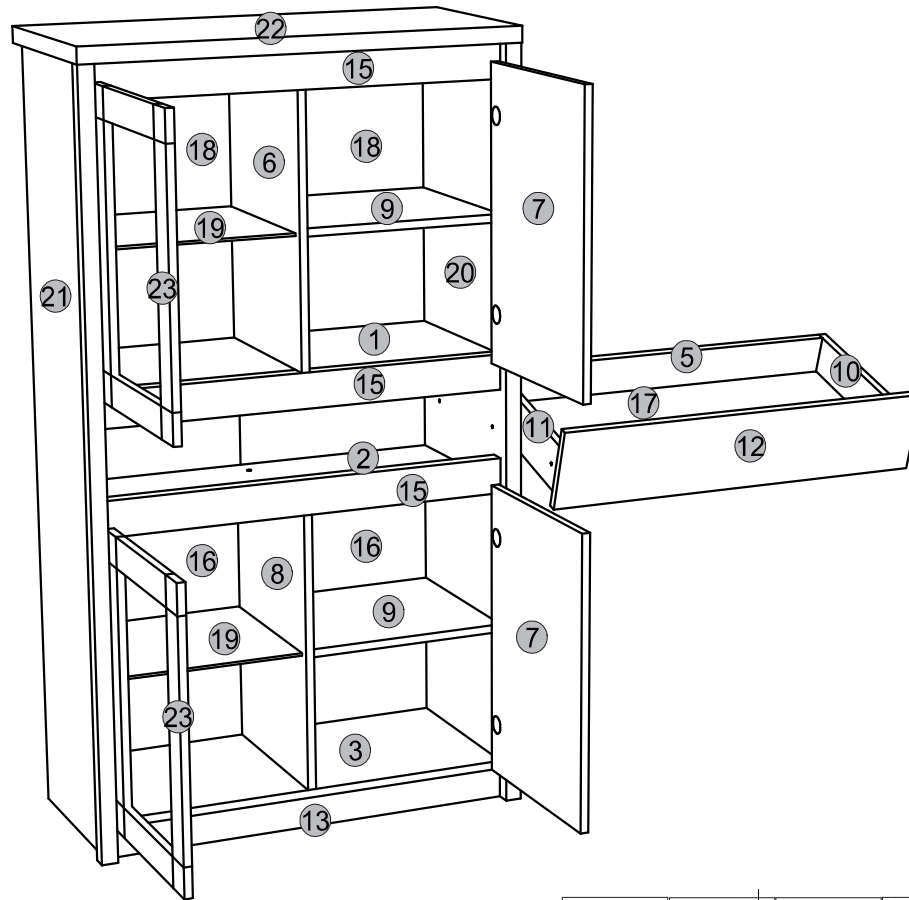
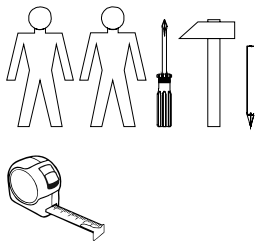
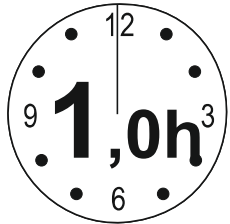


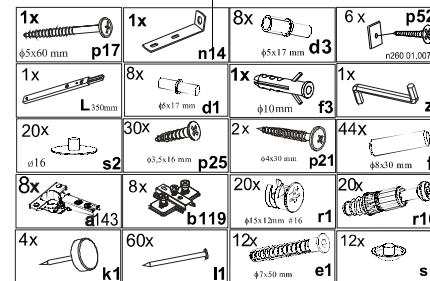
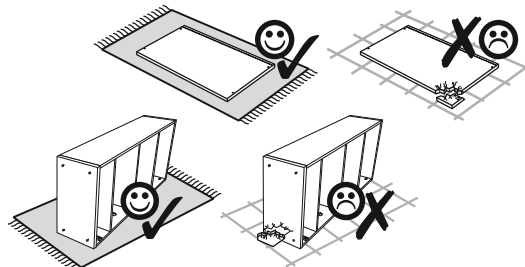
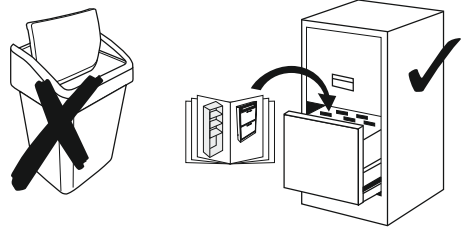


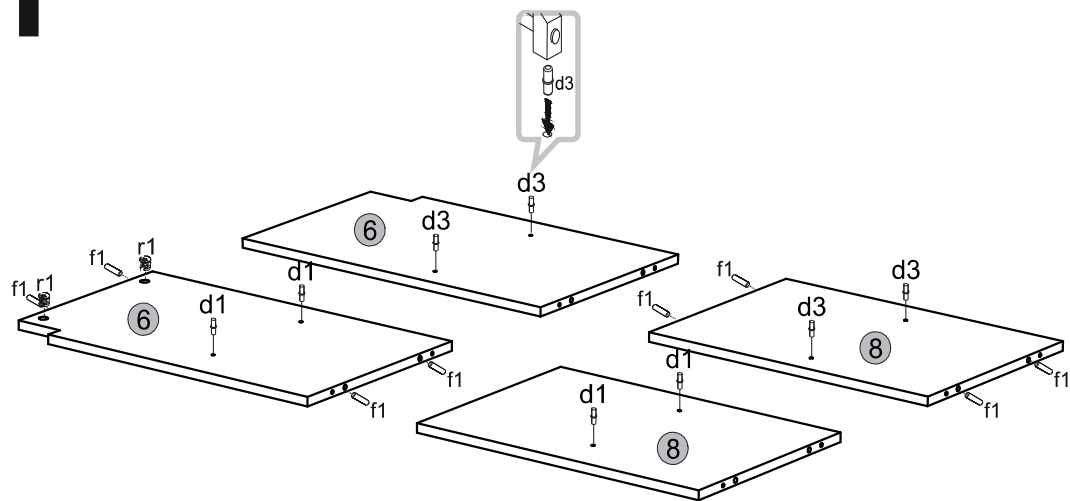
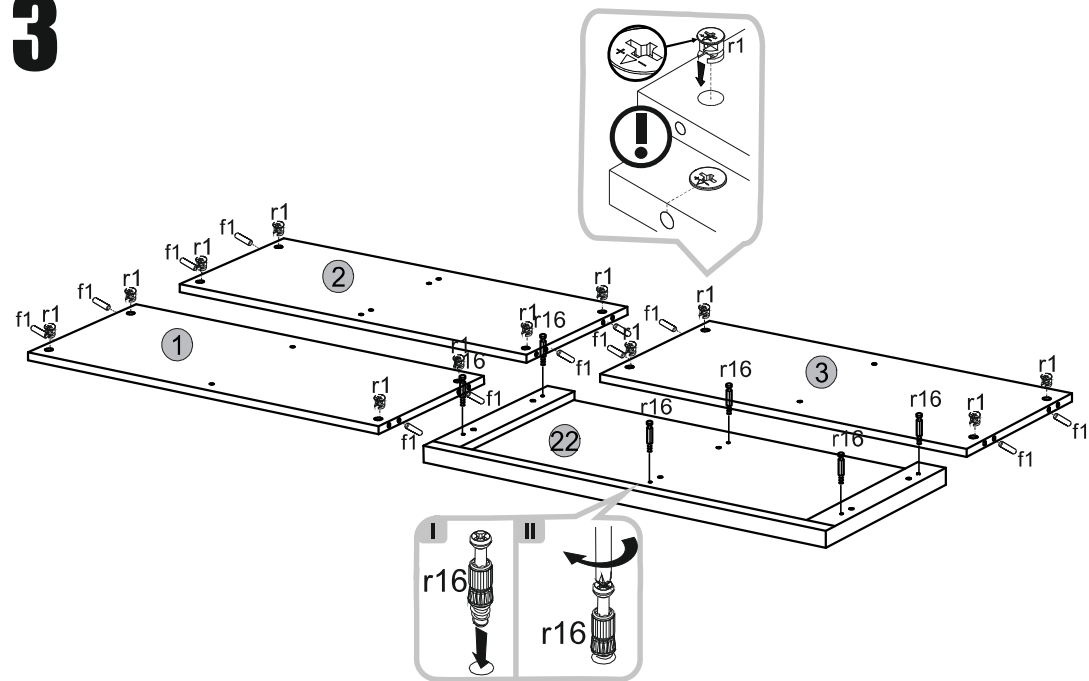
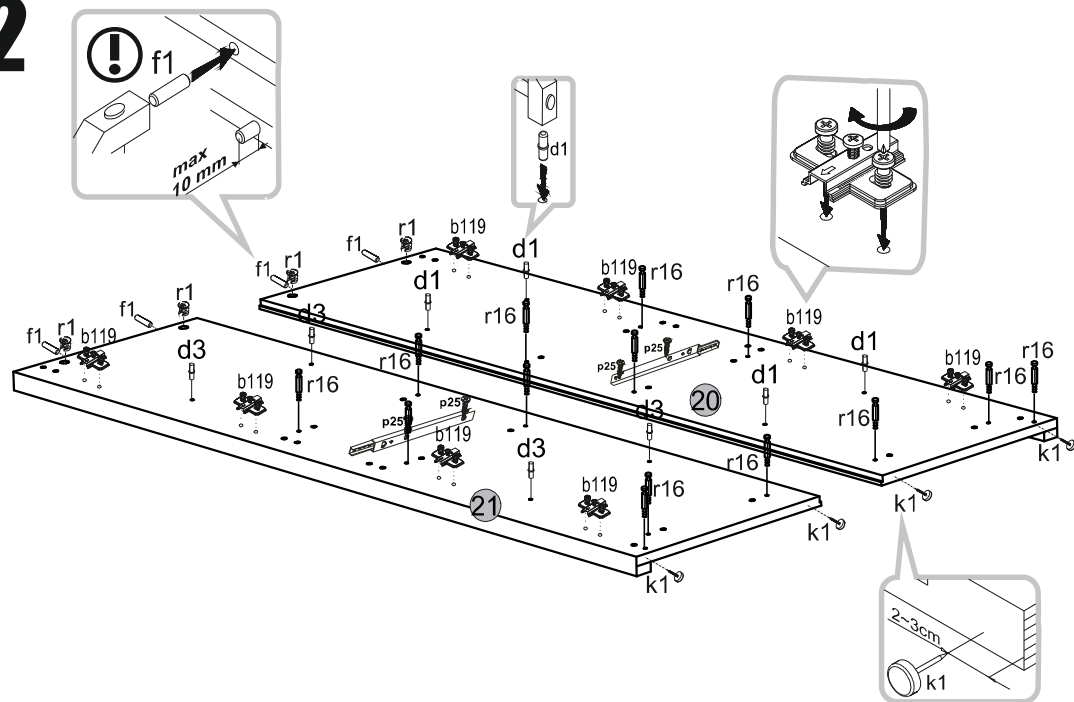
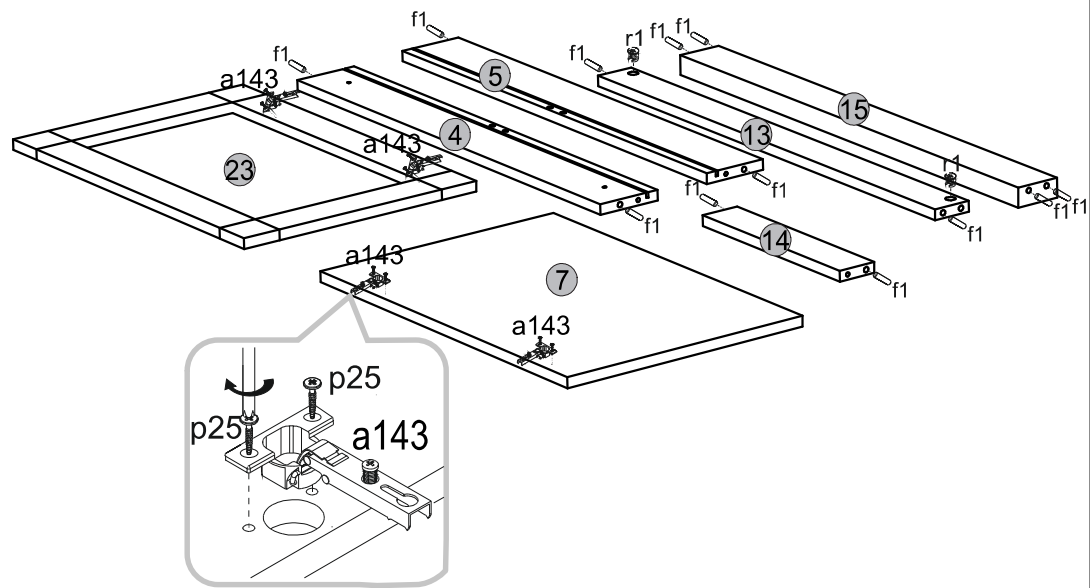
Instalation manual

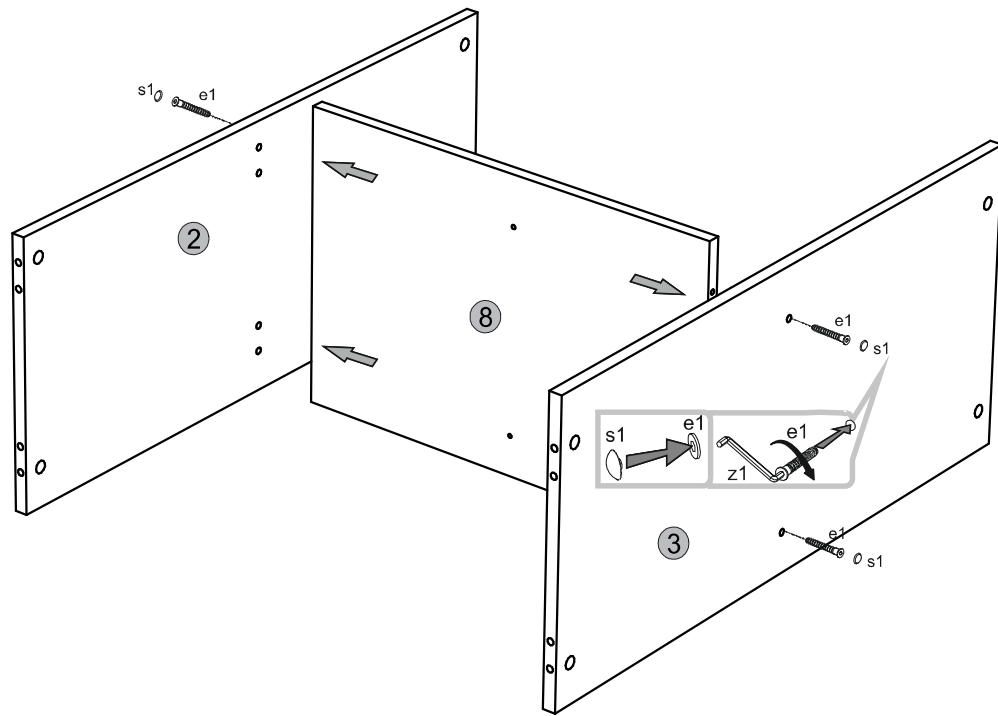
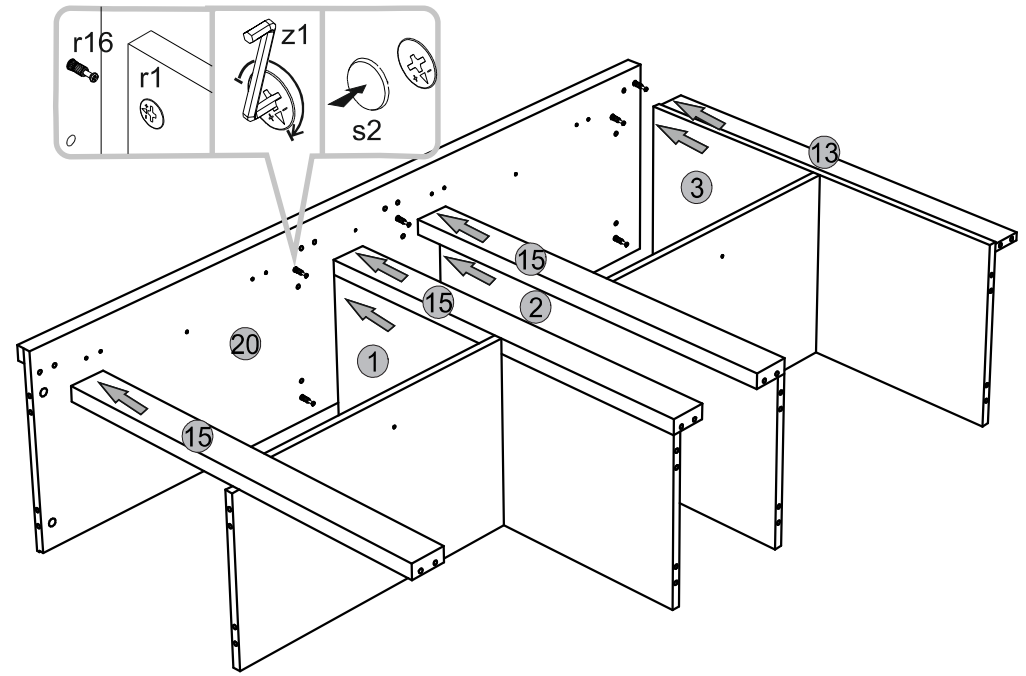
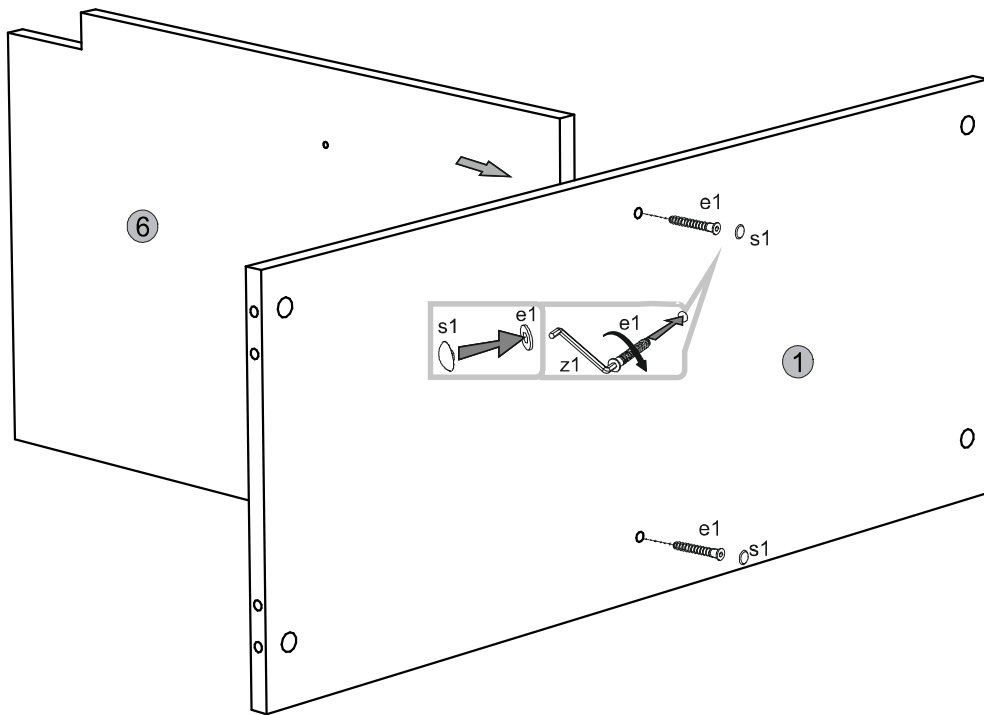
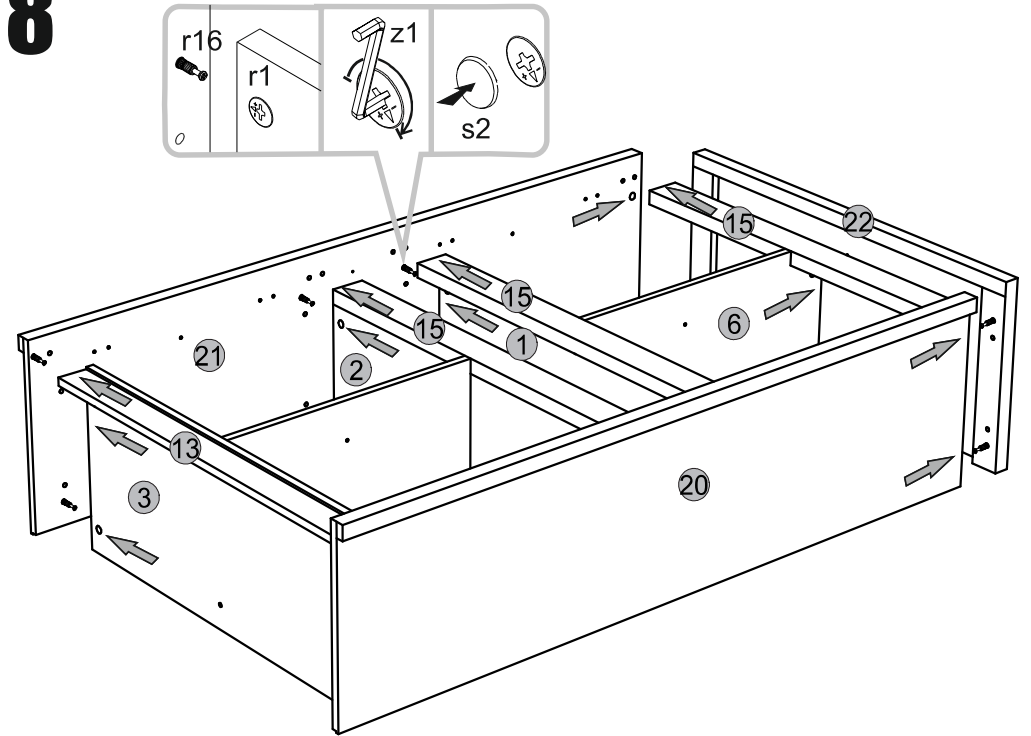
NORTON: WIT_2W2D1S



Element symbol	Dimensions				Code	Package
1	804	339	16	1	K-326	2/2
2	804	339	16	1	K-327	2/2
3	804	369	16	1	K-328	1/1
4	747	100	16	1	K-533	2/2
5	747	100	16	1	K-534	2/2
6	617	369	16	1	K-134	1/1
7	582	398	16	2	K-004	3/3
8	549	369	16	1	K-135	1/1
9	394	369	16	2	K-329	1/1
10	350	100	16	1	K-535	2/2
11	350	100	16	1	K-536	2/2
12	170	798	16	1	K-016	3/3
13	60	804	16	1	K-428	2/2
14	60	318	16	1	K-429	2/2
15	60	804	30	3	K-430	2/2
16	832	410	3	2	K-624	2/2
17	761	332	3	1	K-625	2/2
18	635	410	3	2	K-626	2/2
19	394	369	5	2	K-330	1/1
20	1502	398	16/32	1	K-136	1/1
21	1502	398	16/32	1	K-137	1/1
22	870	400	16/32/32	1	K-211	2/2
23	582	398	16	2	K-017	4/4

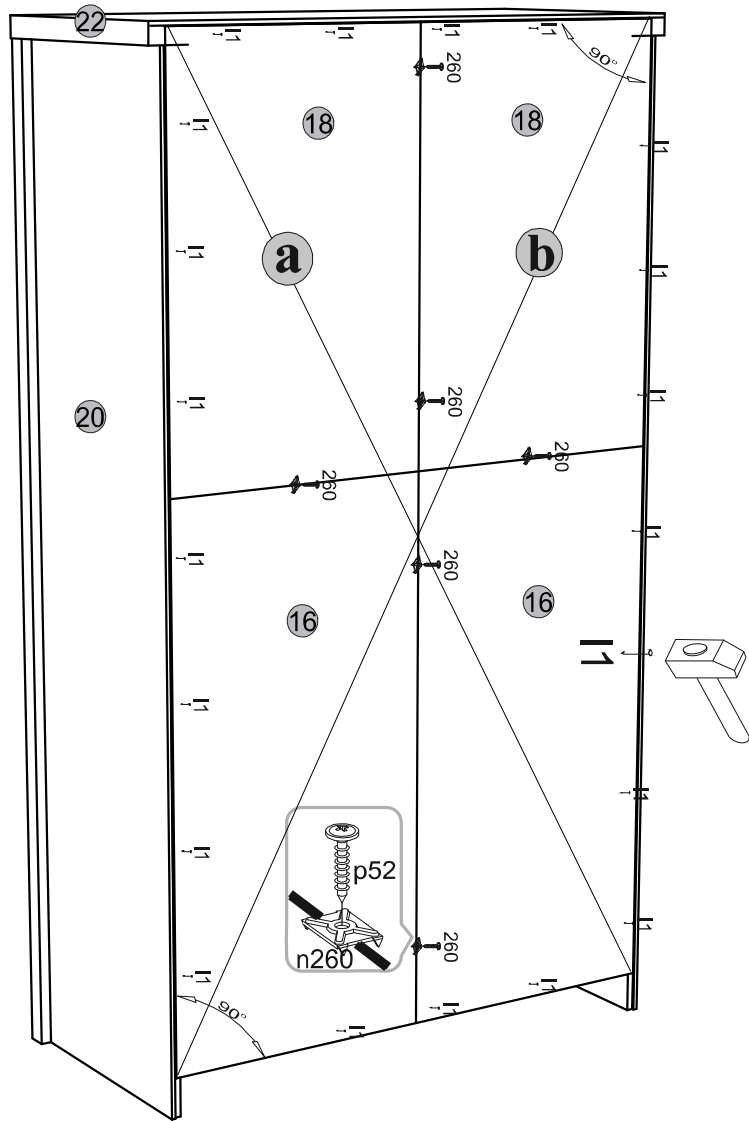


1**3****2****4**

5**7****6****8**

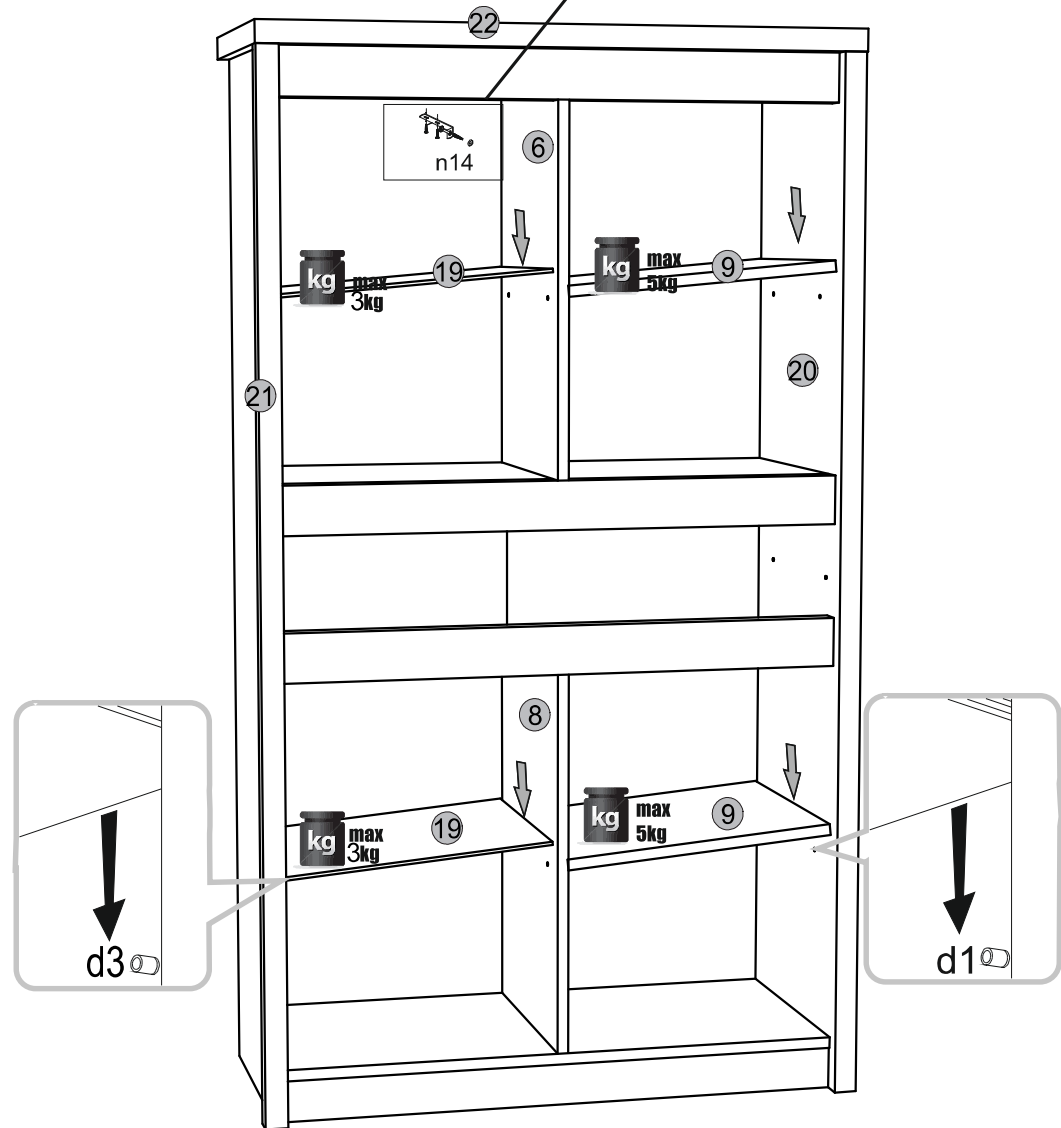
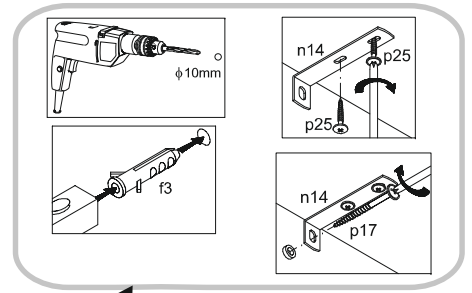
9

⚠
a=b

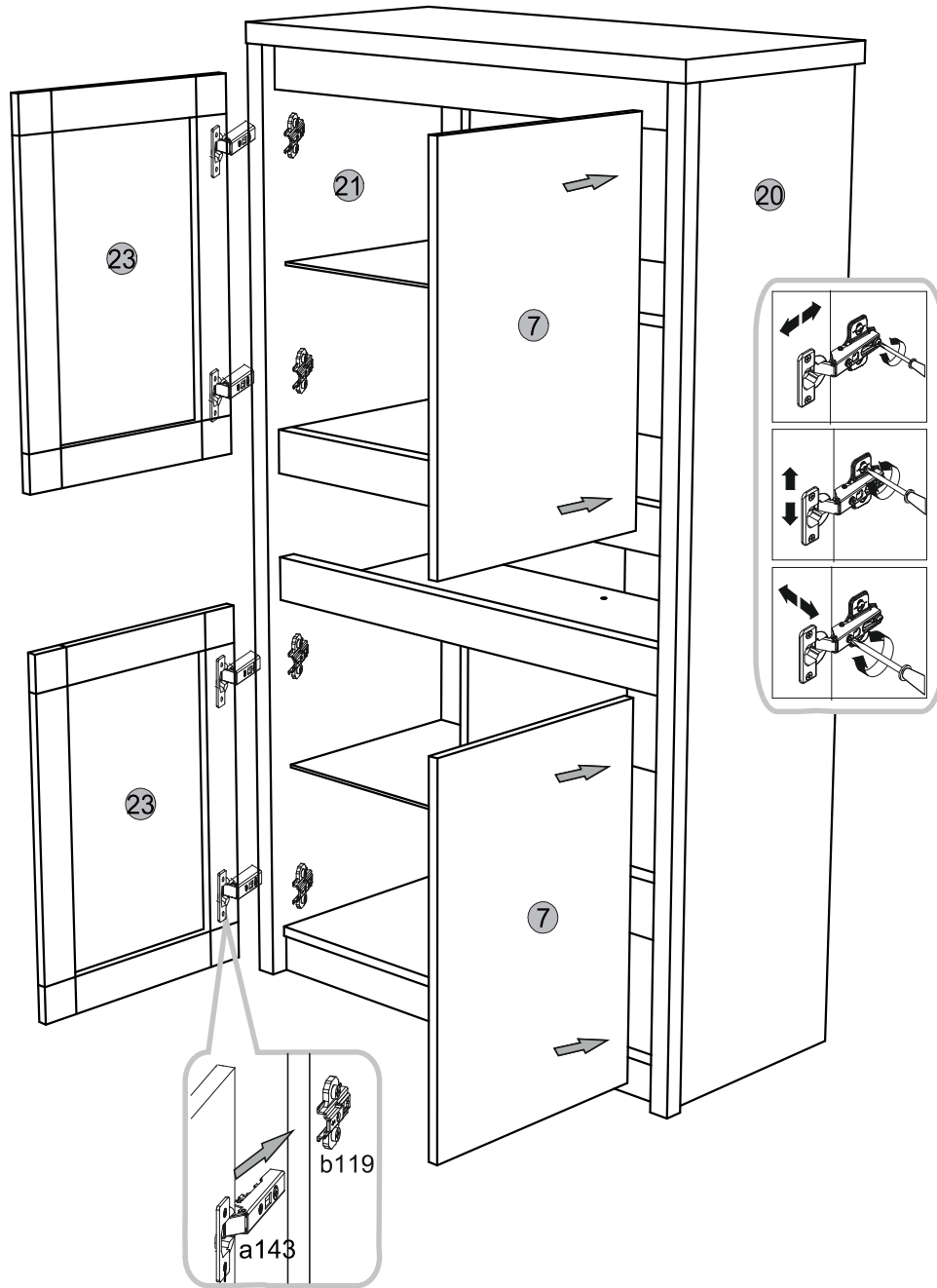


10

⚠
kg max.



11



12

