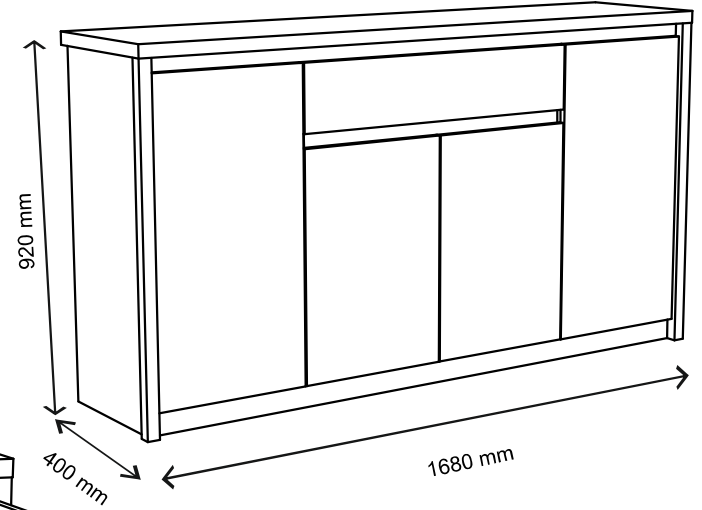
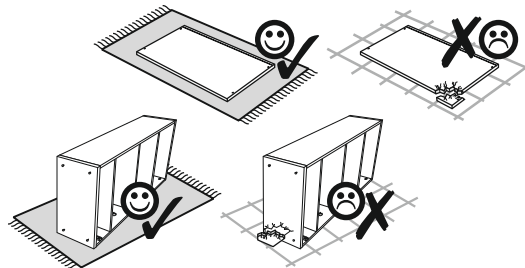
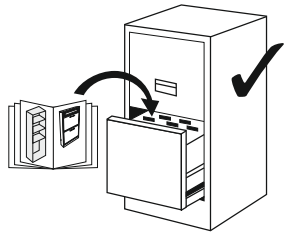
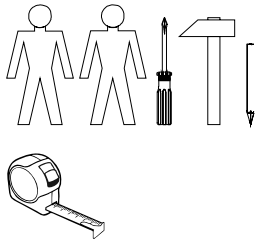


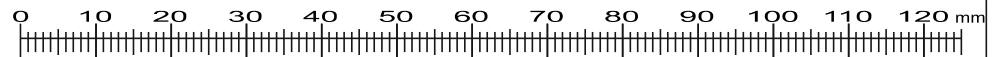
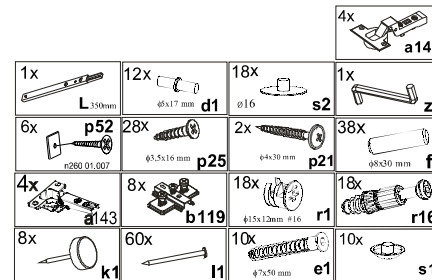


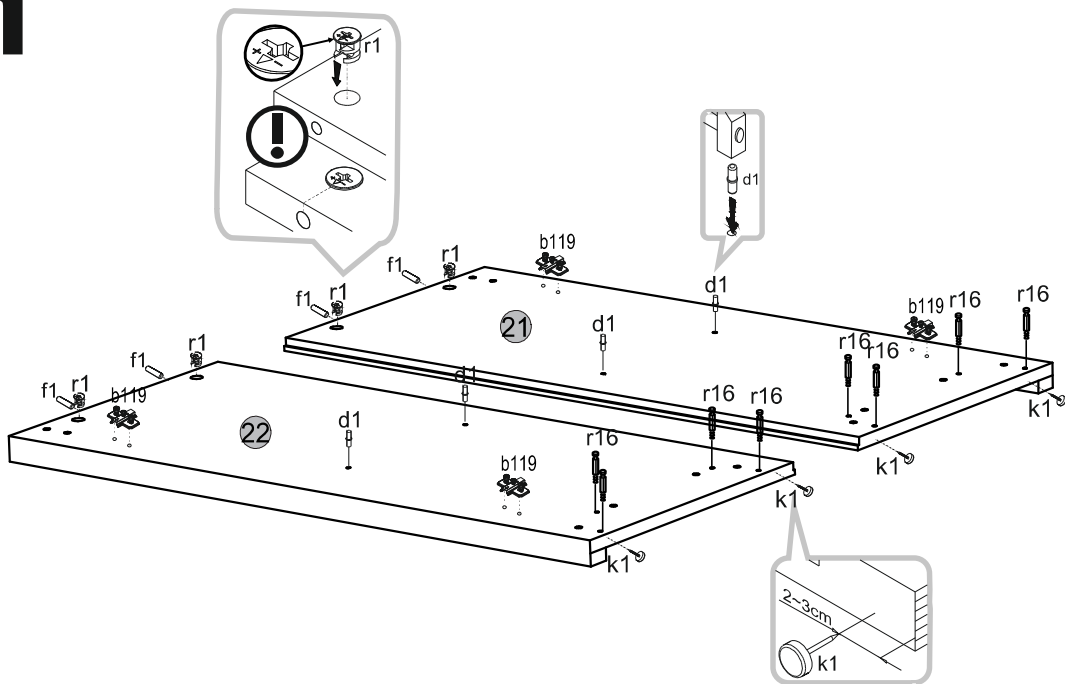
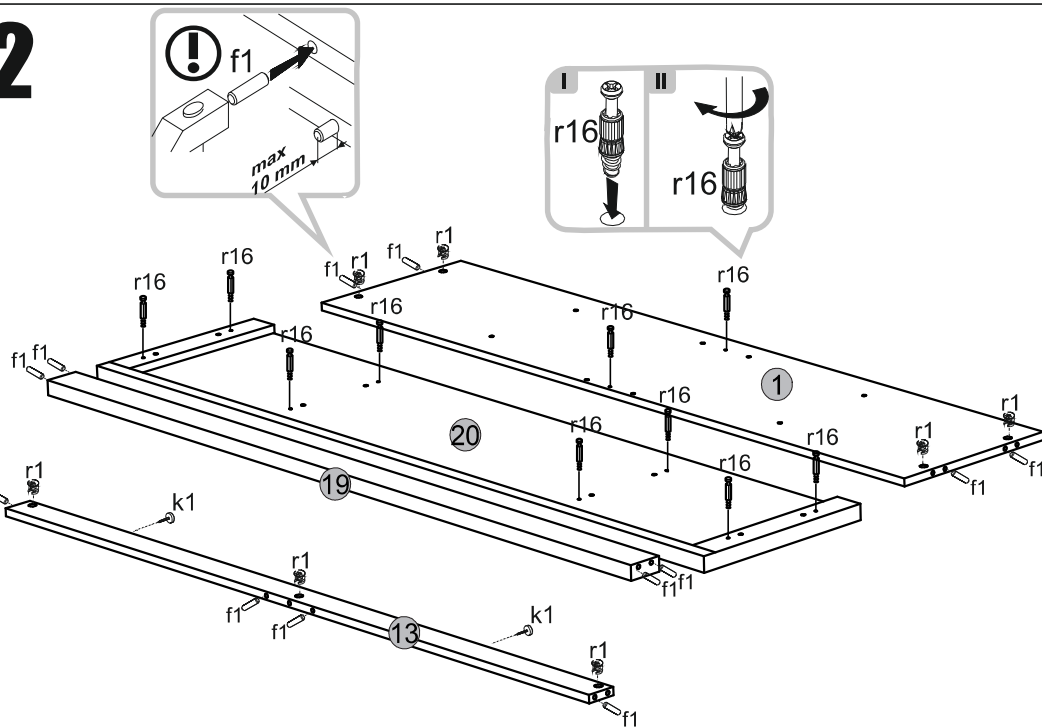
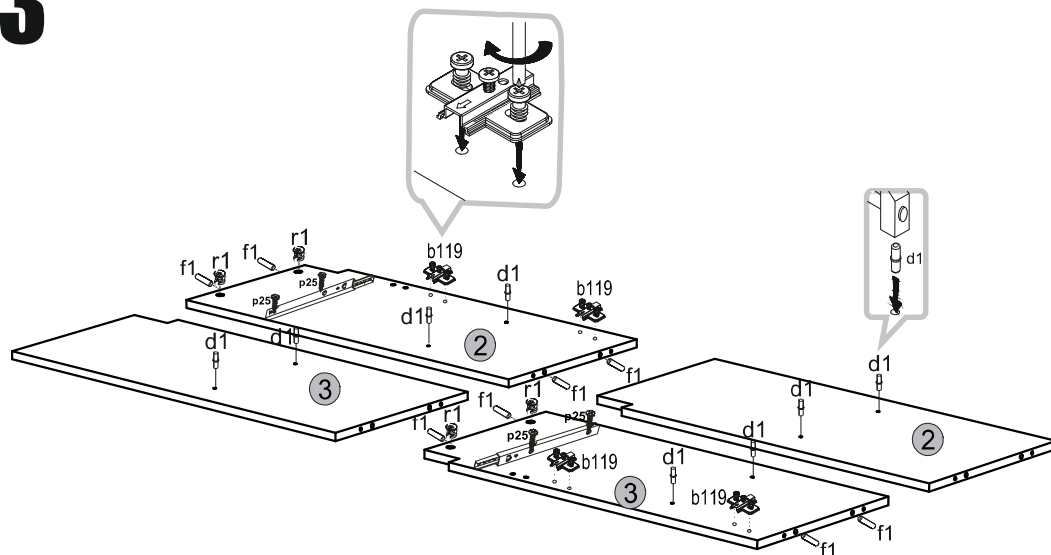
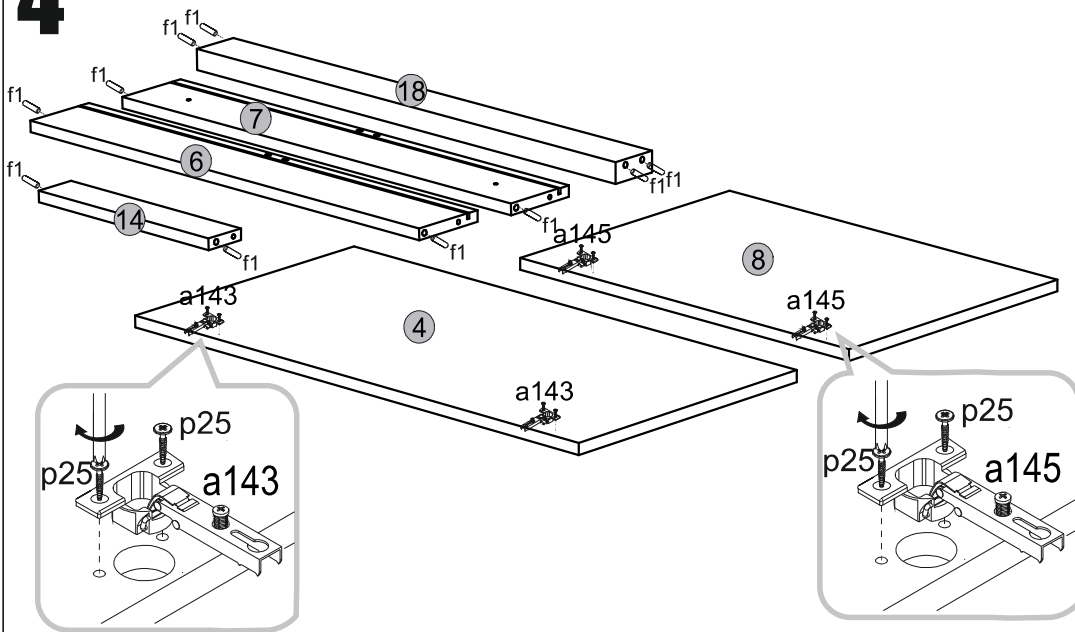
Instalation manual

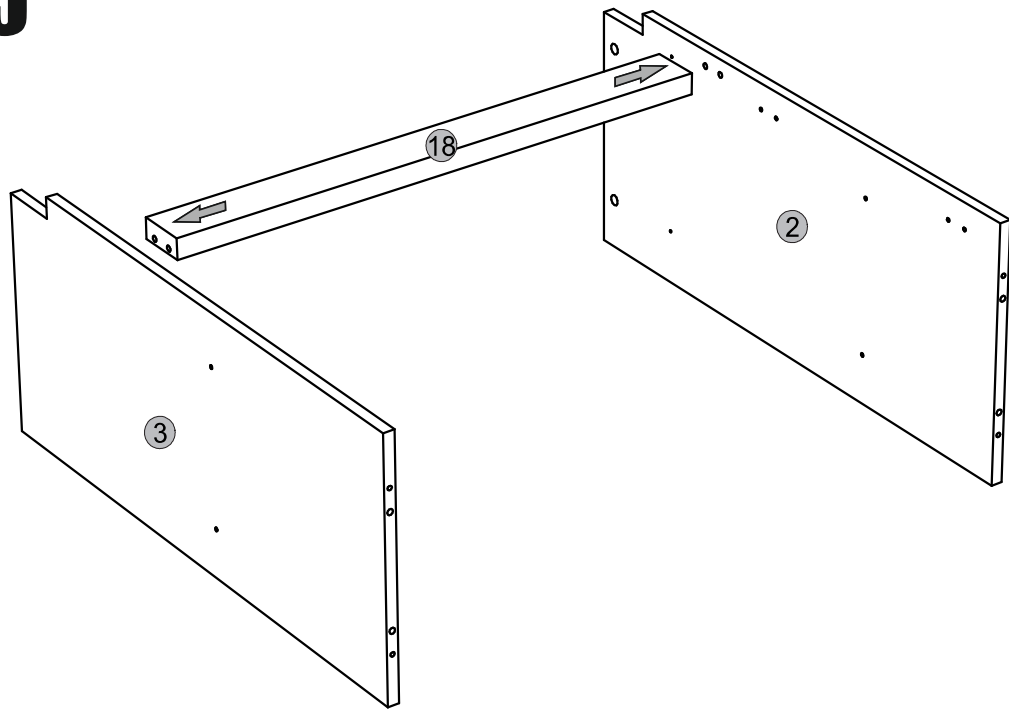
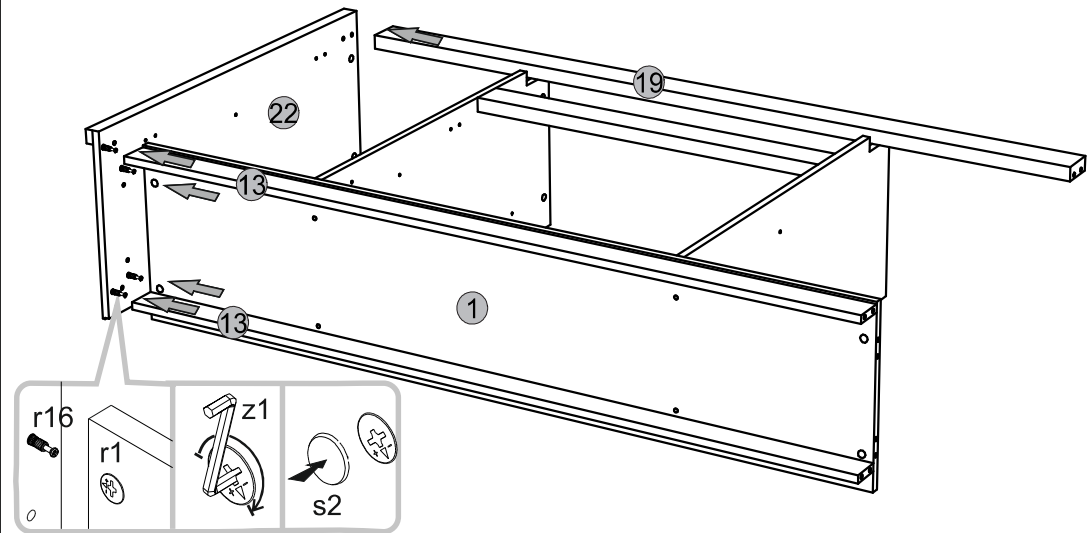
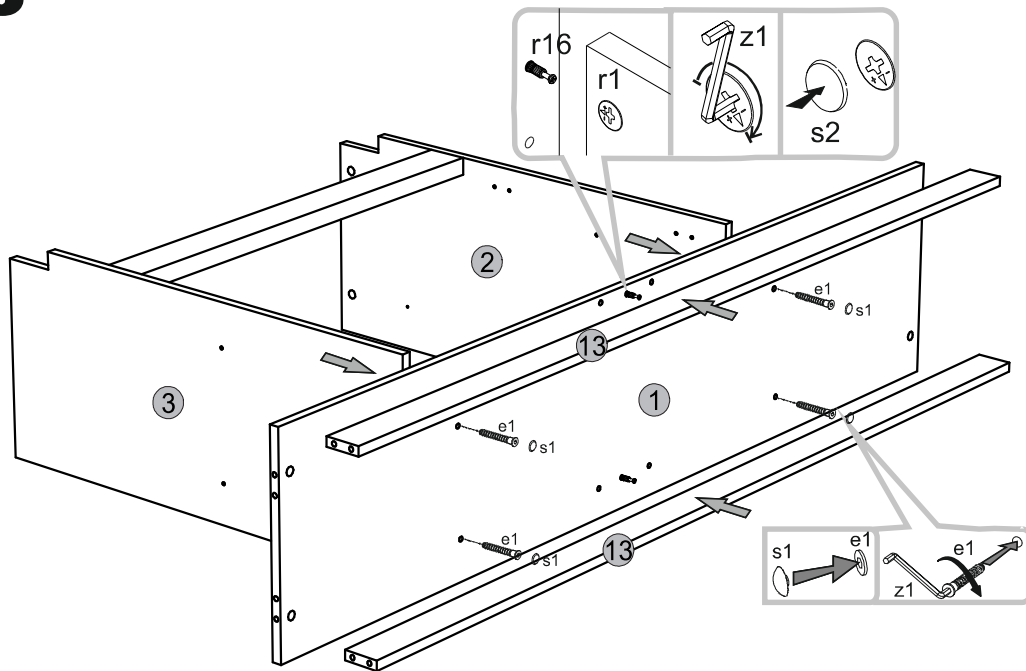
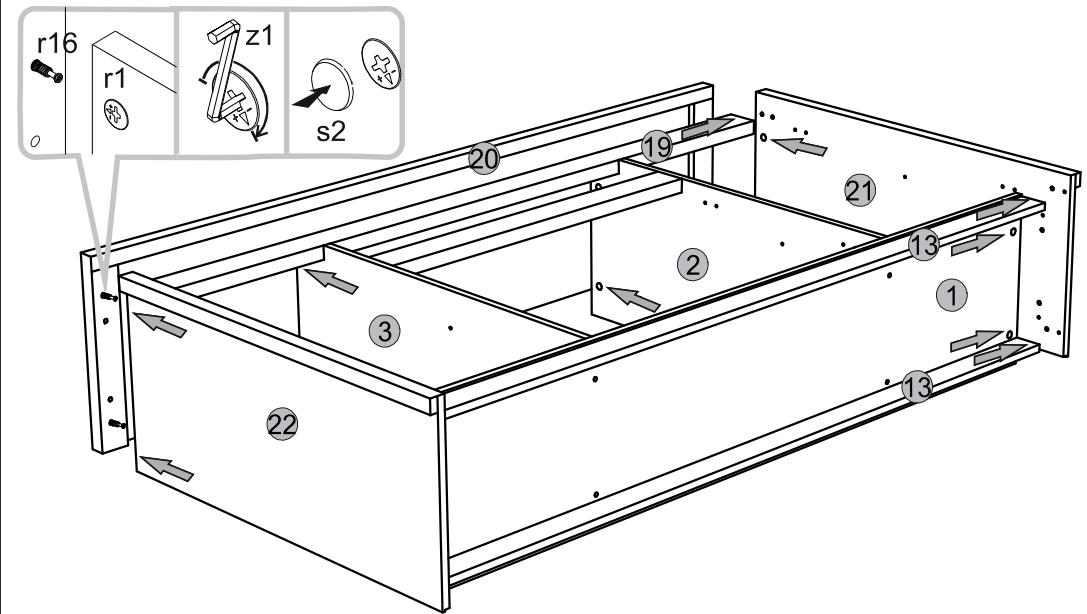
NORTON: KOM_4D1S



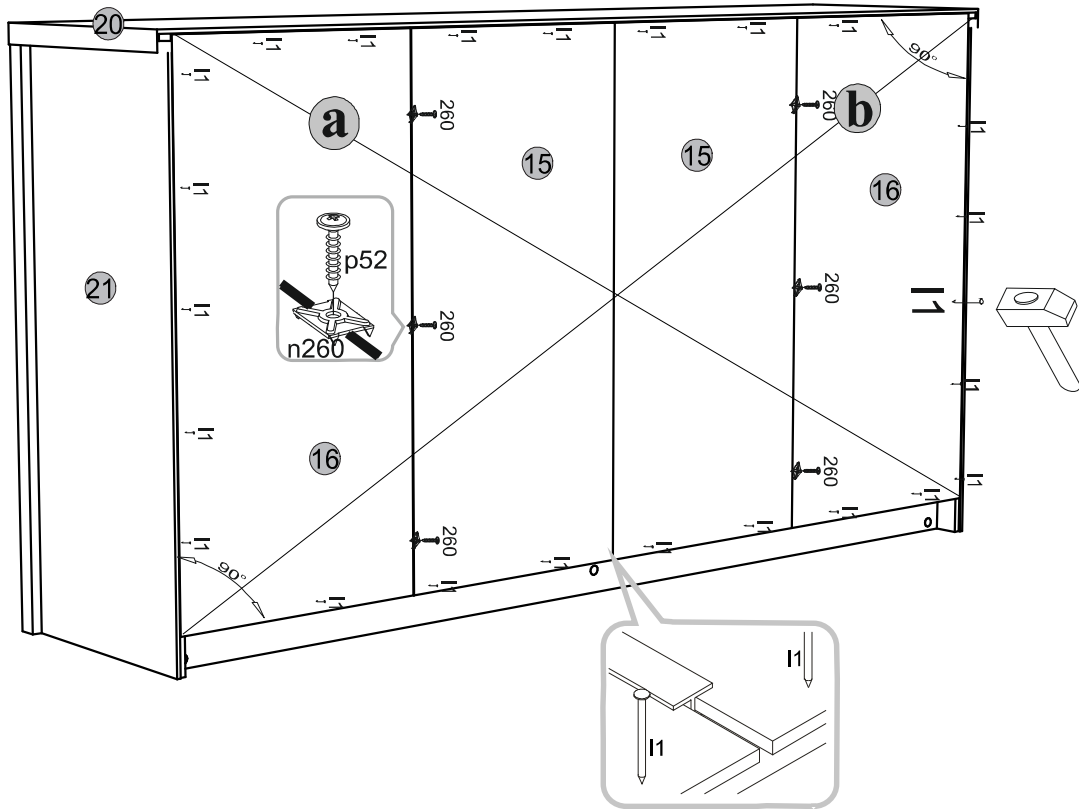
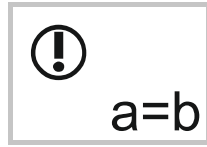
Element symbol	Dimensions				Code	Package
	1	2	3	4		
1	1613	369	16	1	K-323	1/1
2	824	369	16	1	K-130	2/2
3	824	369	16	1	K-131	1/1
4	788	401	16	2	K-014	3/3
5	783	369	16	1	K-324	2/2
6	726	120	16	1	K-529	1/1
7	726	120	16	1	K-530	1/1
8	582	398	16	2	K-004	3/3
9	399	369	16	2	K-325	2/2
10	350	120	16	1	K-531	1/1
11	350	120	16	1	K-532	1/1
12	170	799	16	1	K-015	3/3
13	60	1613	16	2	K-424	1/1
14	60	318	16	1	K-425	2/2
15	849	399	3	2	K-621	2/2
16	849	416	3	2	K-622	2/2
17	740	332	3	1	K-623	2/2
18	70	783	30	1	K-426	1/1
19	70	1613	30	1	K-427	1/1
20	1679	400	16/32/32	1	K-210	1/1
21	884	398	16/32	1	K-132	2/2
22	884	398	16/32	1	K-133	2/2



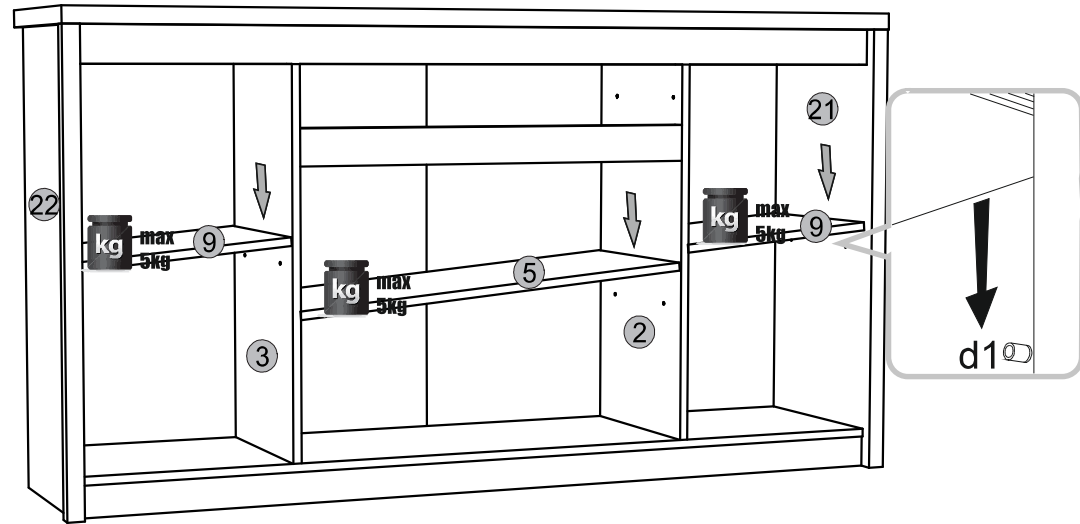
1**2****3****4**

5**7****6****8**

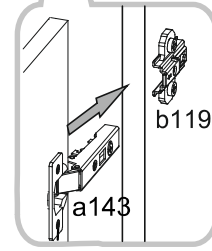
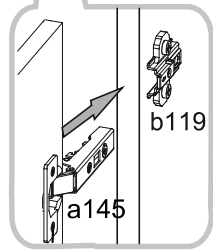
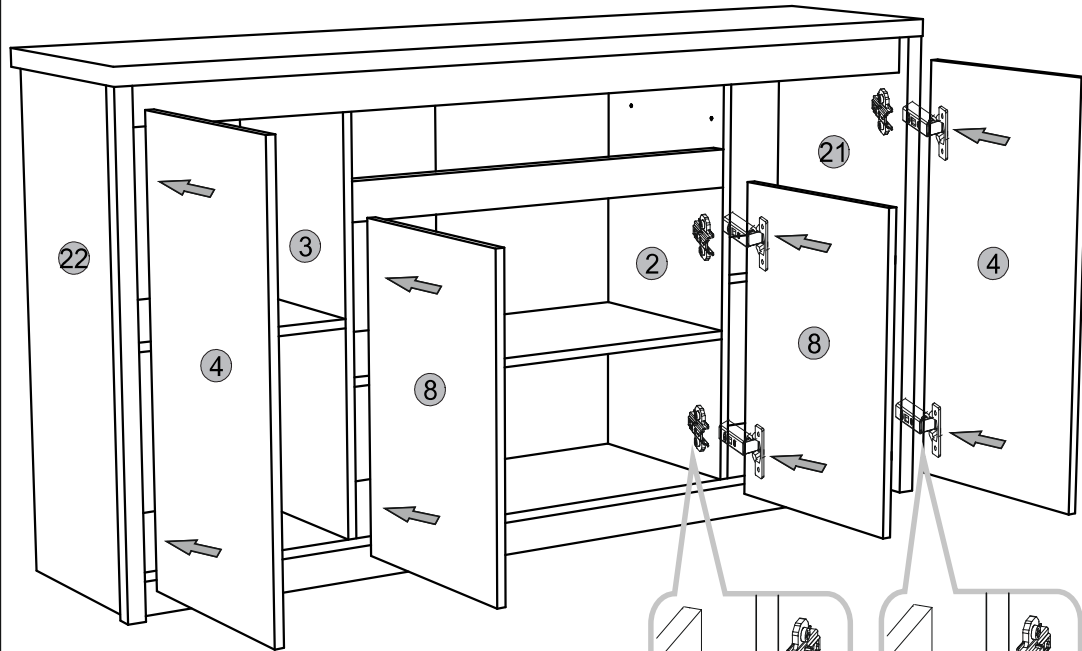
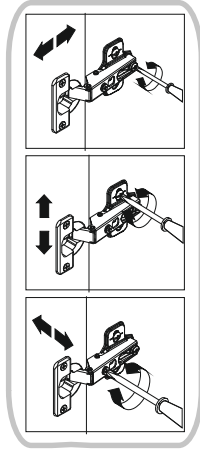
9



10



11



12

