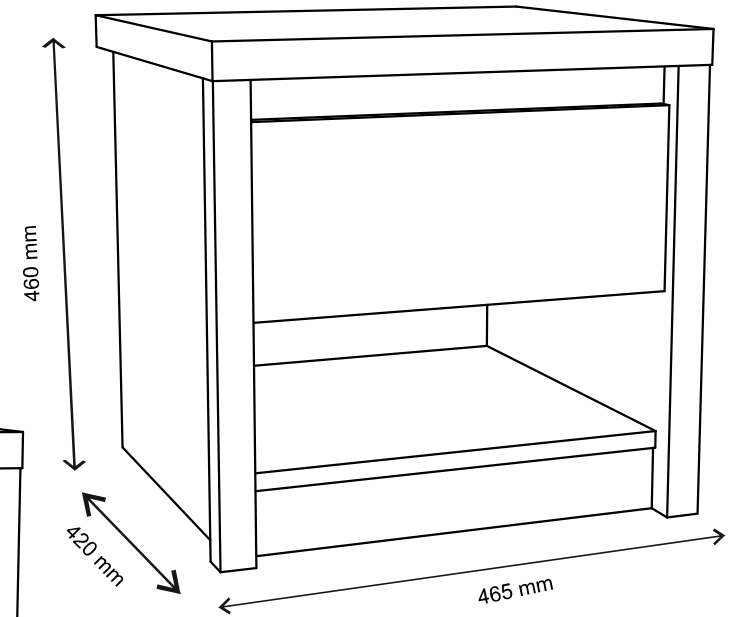
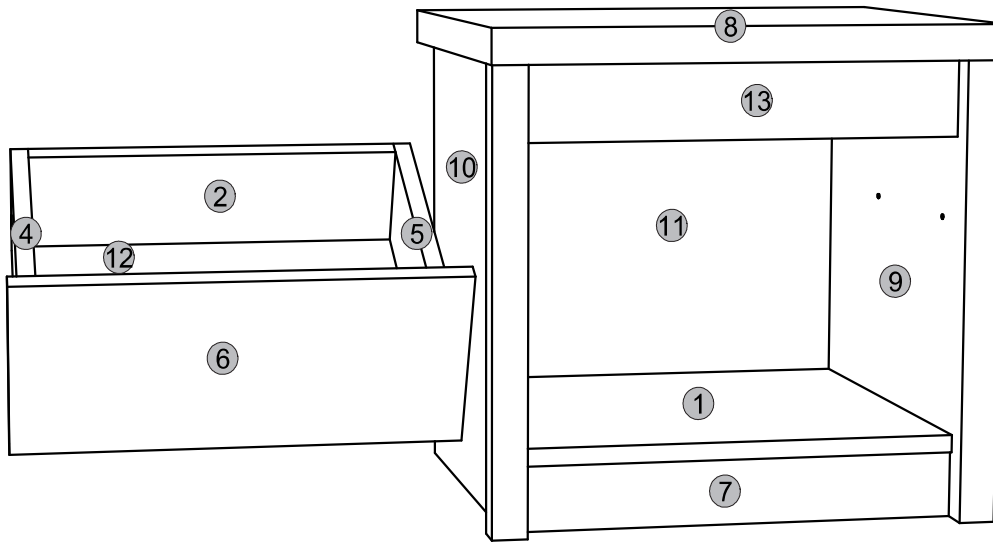
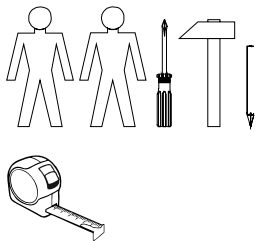
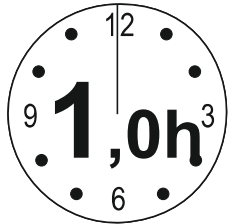


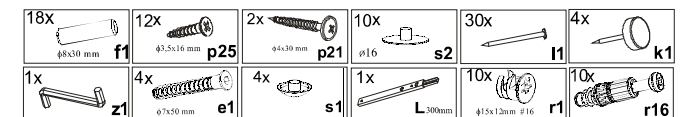
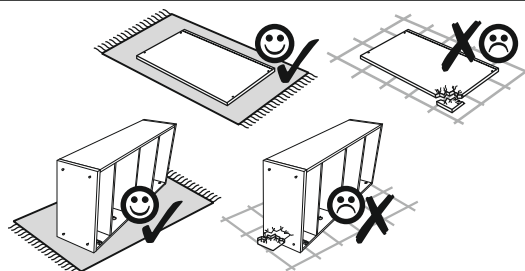
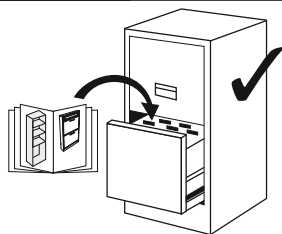


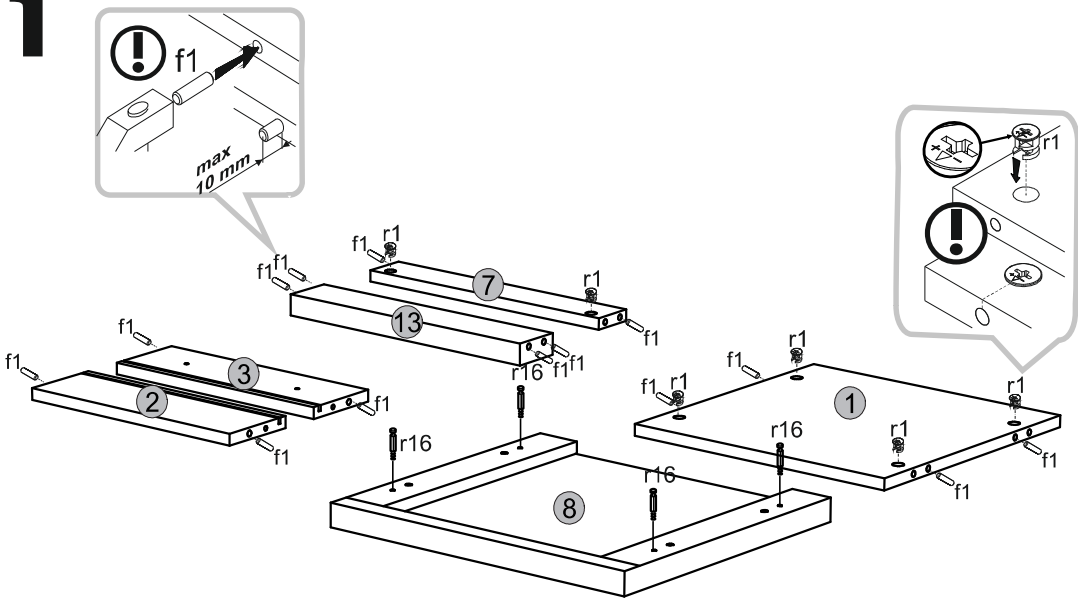
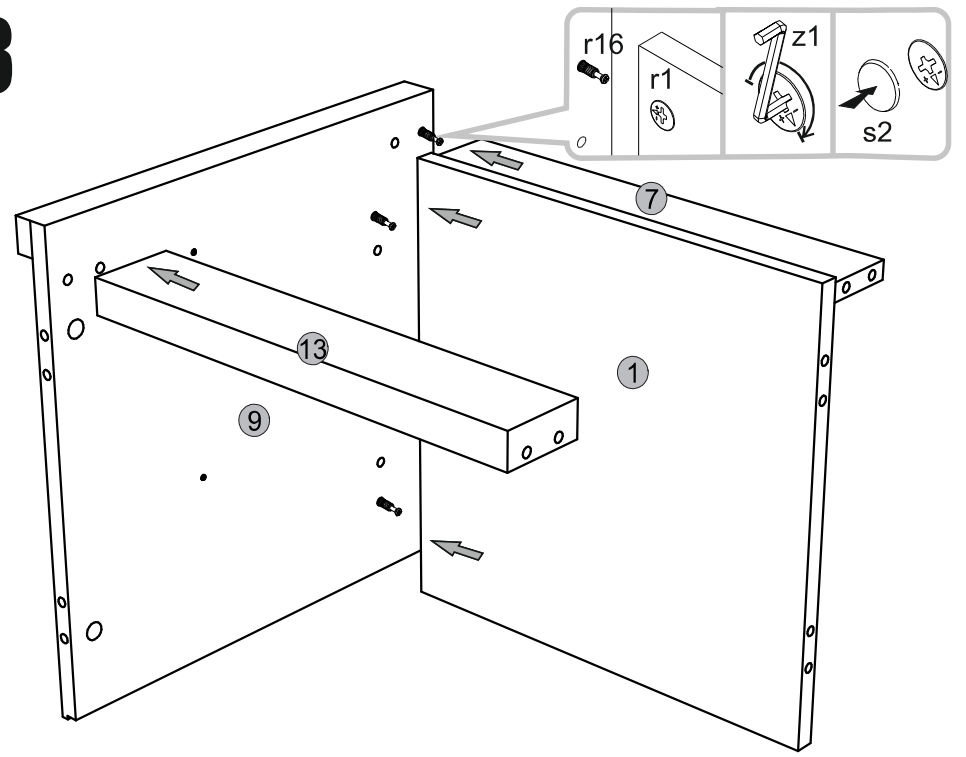
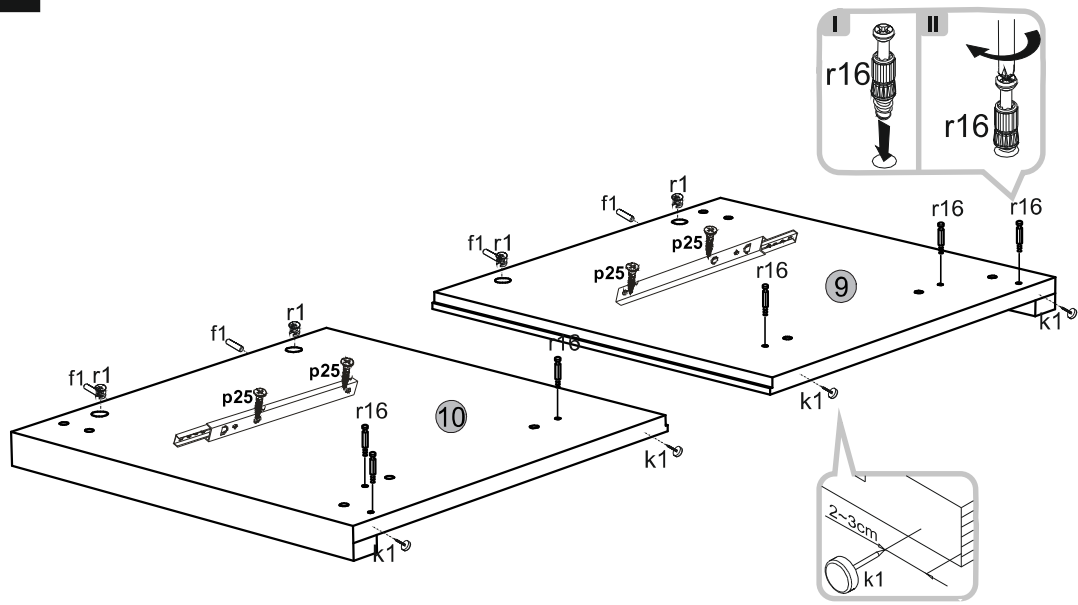
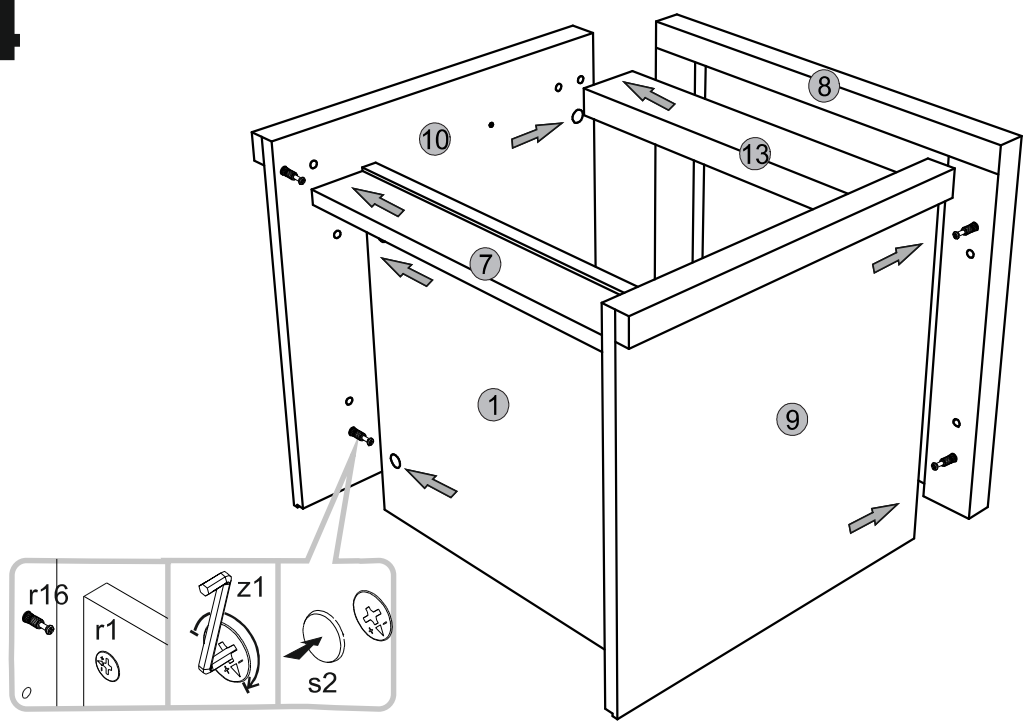
# Instalation manual

NORTON: SZFK\_NOC\_1S



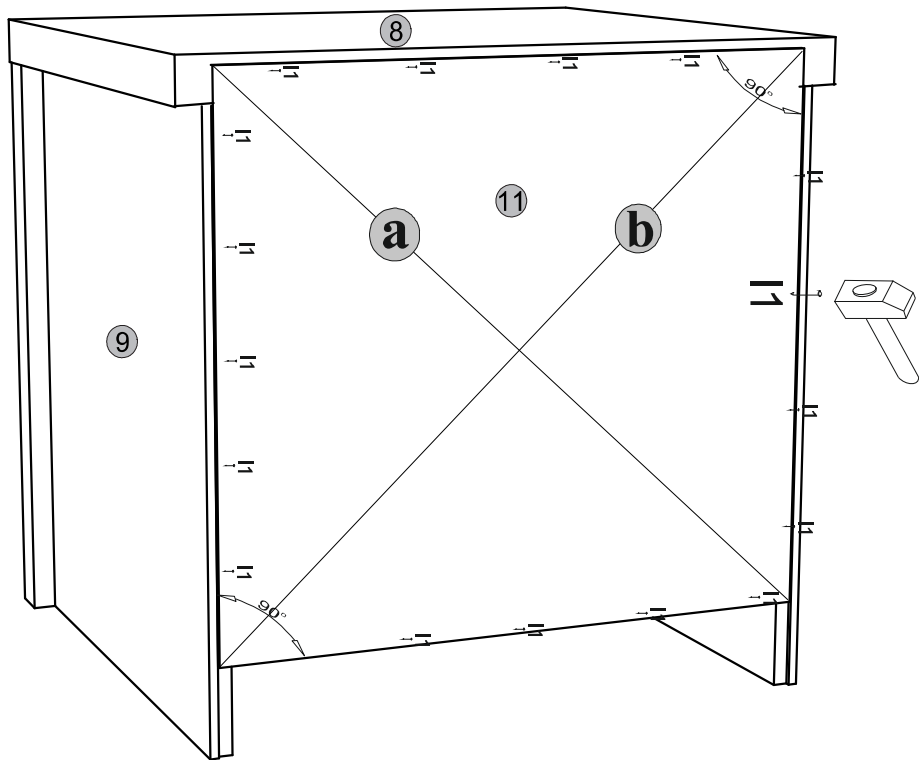
Element symbol	Dimensions				Code	Package
1	398	389	16	1	NS-301	1/1
2	341	110	16	1	NS-501	1/1
3	341	110	16	1	NS-502	1/1
4	300	110	16	1	NS-503	1/1
5	300	110	16	1	NS-504	1/1
6	170	392	16	1	NS-001	1/1
7	60	398	16	1	NS-401	1/1
8	464	420	16/32	1	NS-201	1/1
9	418	418	16/32	1	NS-105	1/1
10	418	418	16/32	1	NS-106	1/1
11	383	416	3	1	NS-601	1/1
12	355	282	3	1	NS-602	1/1
13	70	398	30	1	NS-402	1/1



**1****3****2****4**

# 5

⚠  
a=b



# 6

