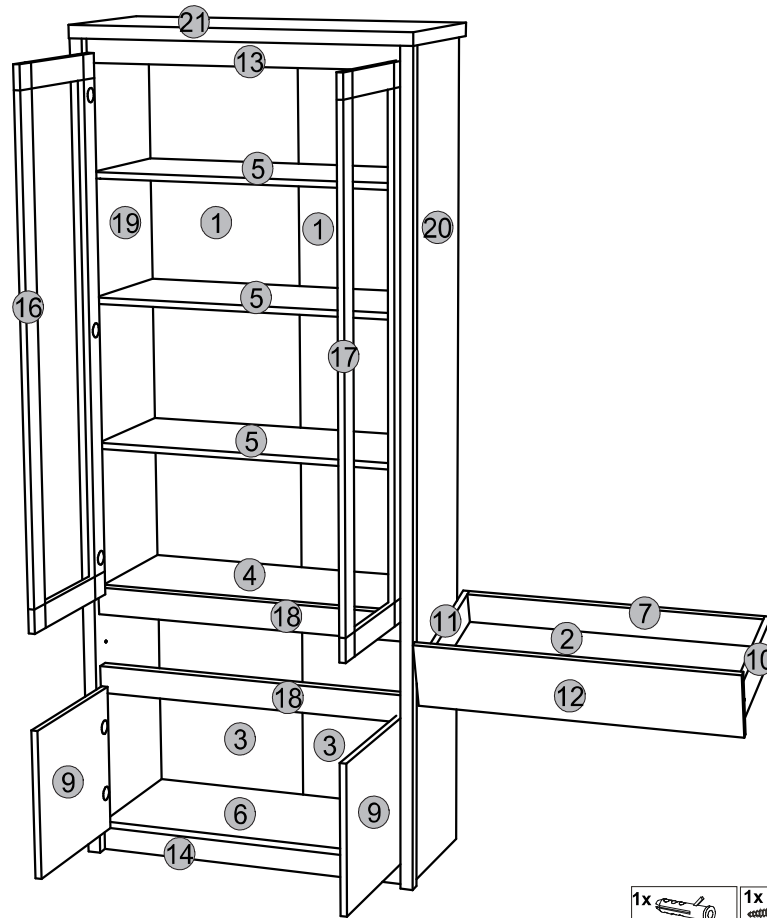
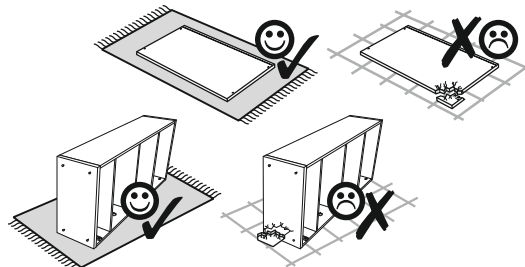
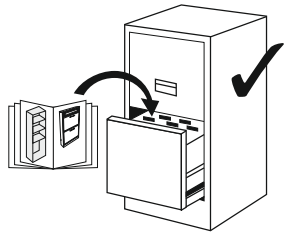
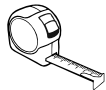
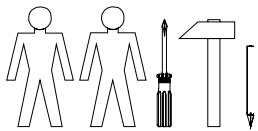
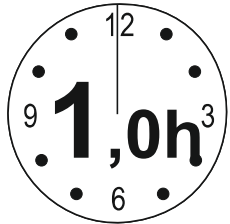


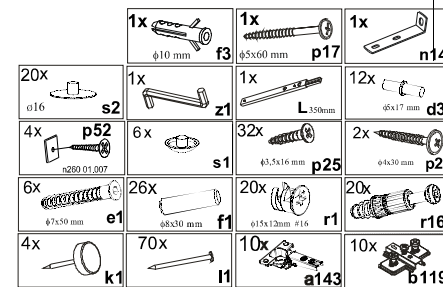


# Instalation manual

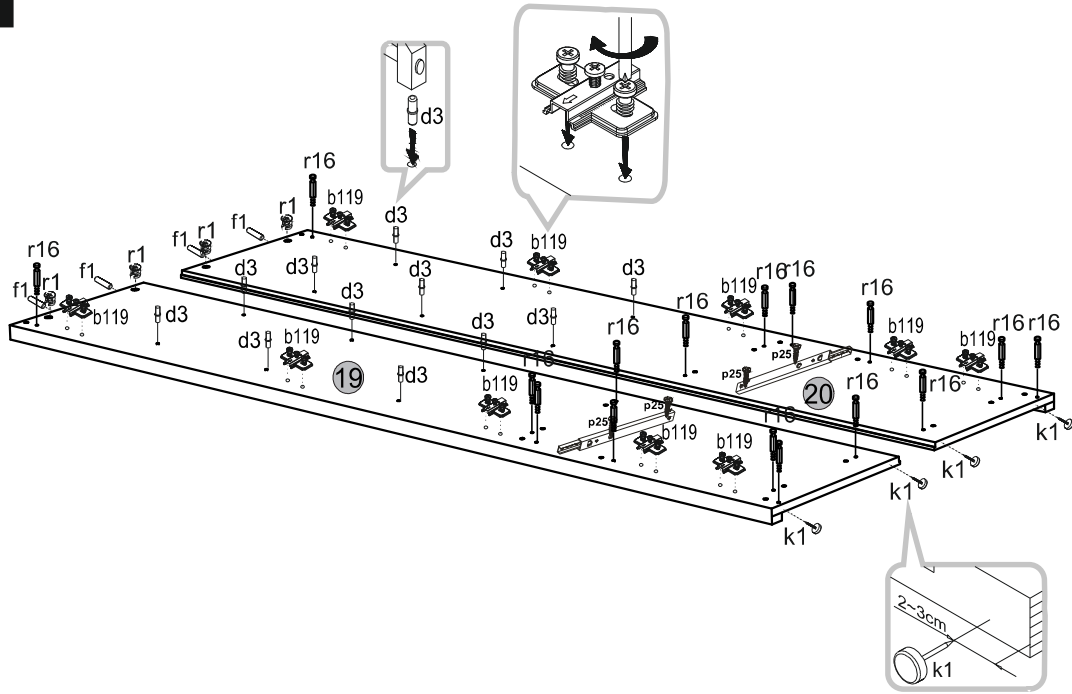
NORTON: WIT\_WYS\_2W2D1S



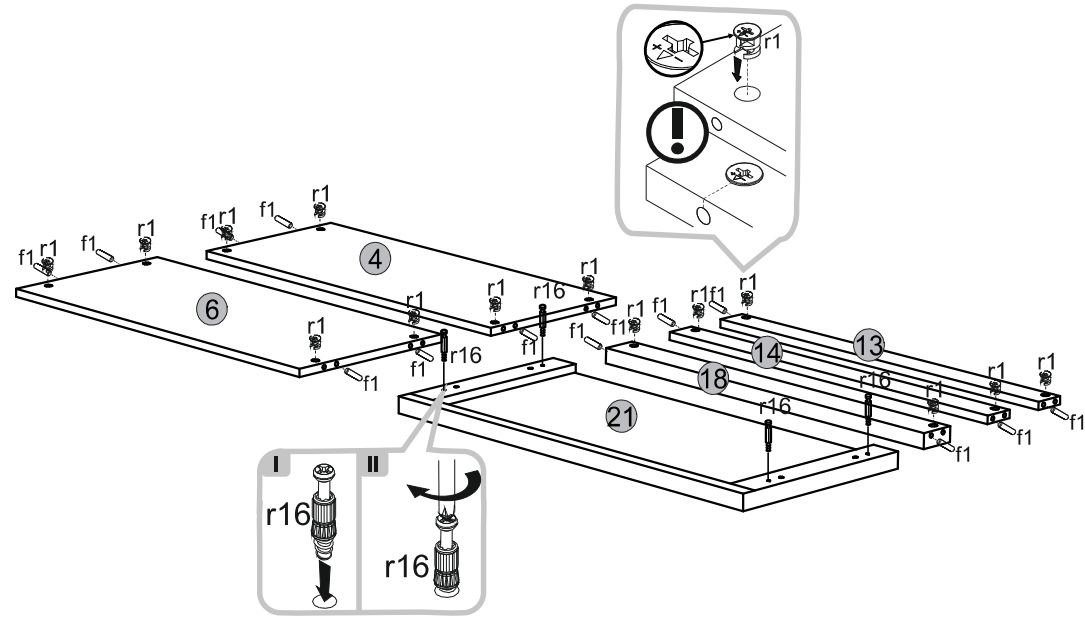
Element symbol	Dimensions				Code	Package
1	1407	415	3	2	K-627	1/1
2	771	332	3	1	K-628	1/1
3	626	415	3	2	K-629	1/1
4	814	345	16	1	K-331	2/2
5	814	345	4	3	K-332	5/5
6	814	369	16	1	K-334	2/2
7	757	100	16	1	K-537	2/2
8	757	100	16	1	K-538	2/2
9	376	403	16	2	K-018	4/4
10	350	100	16	1	K-539	2/2
11	350	100	16	1	K-540	2/2
12	170	808	16	1	K-019	4/4
13	60	814	16	1	K-430	2/2
14	60	814	16	1	K-431	2/2
15	60	318	16	1	K-432	2/2
16	1354	403	16	1	K-020	3/3
17	1354	403	16	1	K-021	3/3
18	70	814	30	2	K-433	2/2
19	2068	398	16/32	1	K-138	1/1
20	2068	398	16/32	1	K-139	1/1
21	880	400	16/32/32	1	K-212	2/2



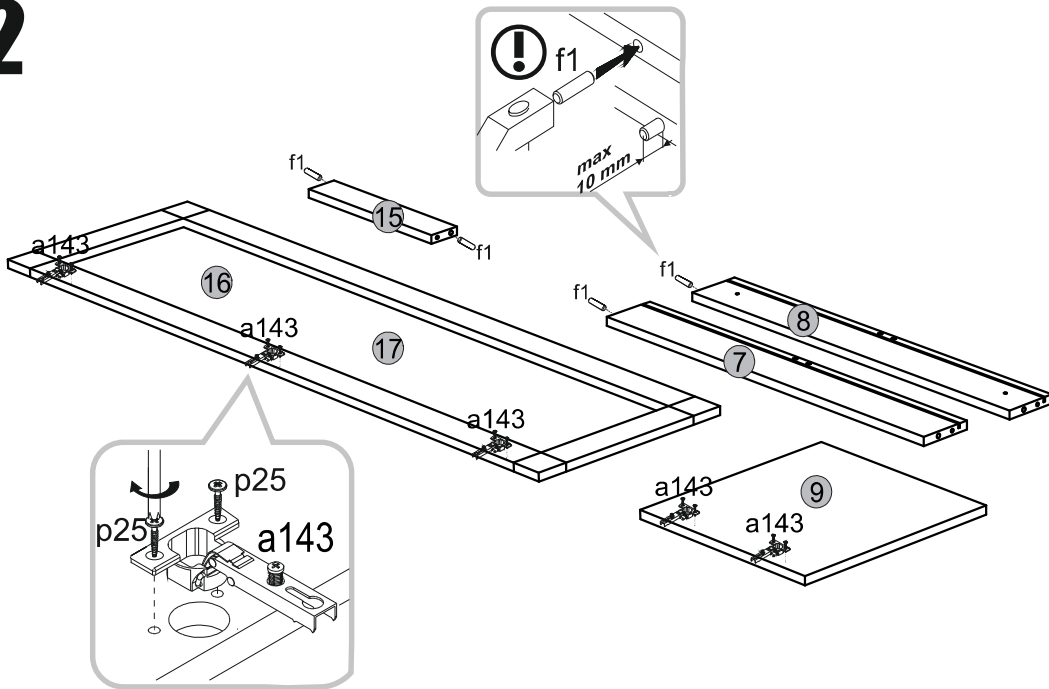
# 1



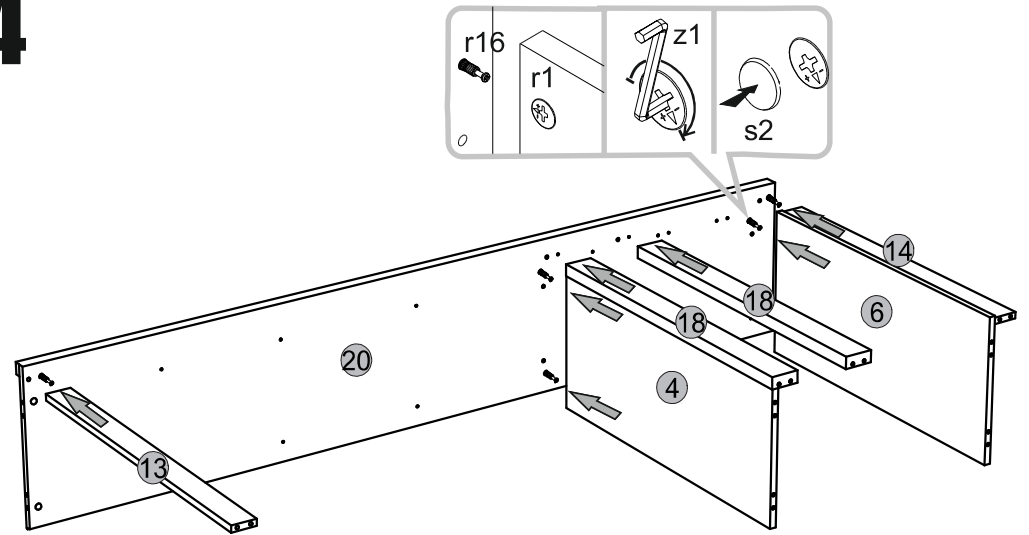
# 3



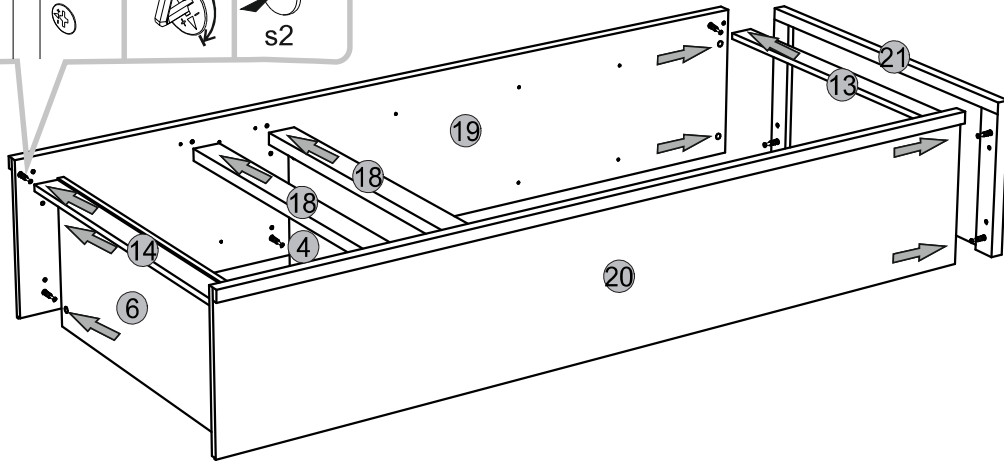
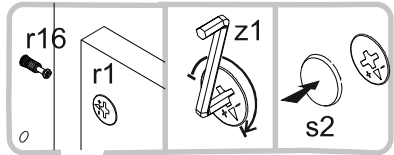
# 2



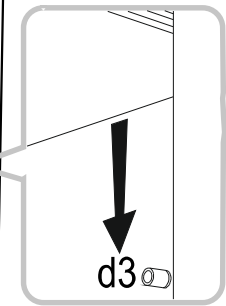
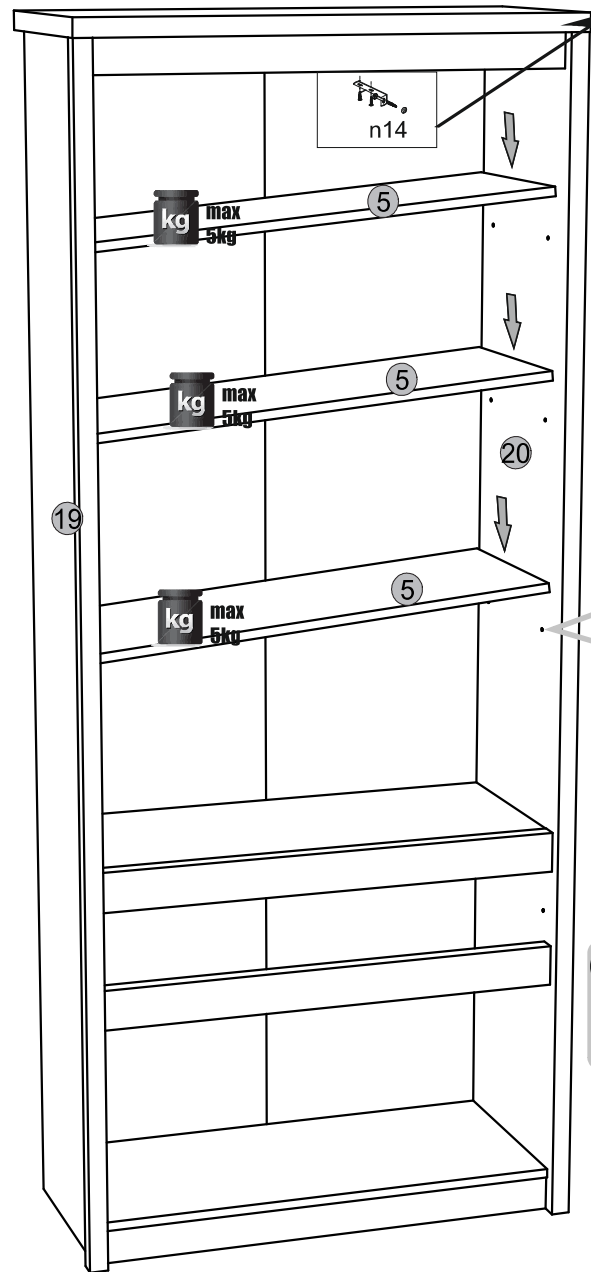
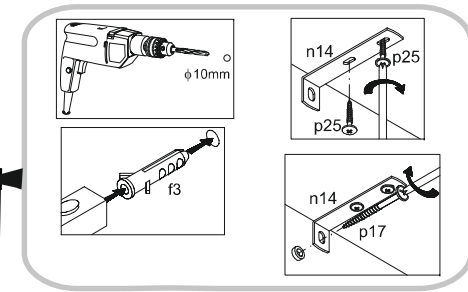
# 4



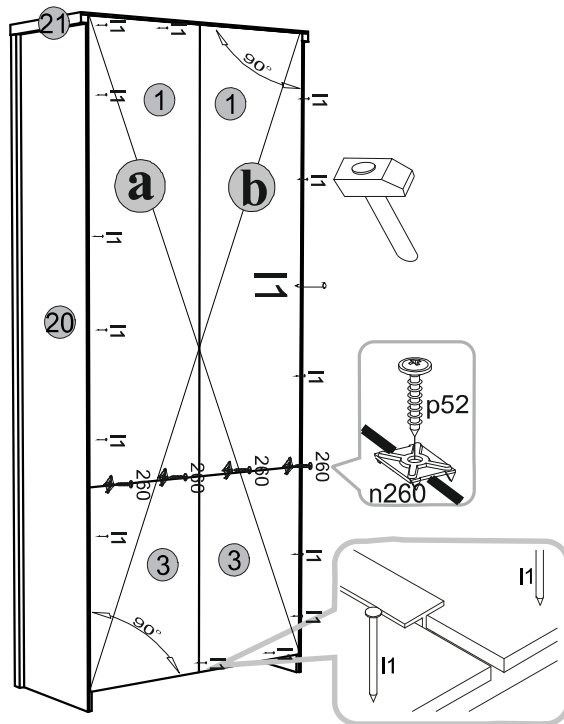
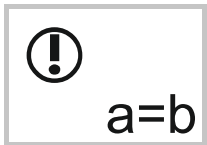
# 5



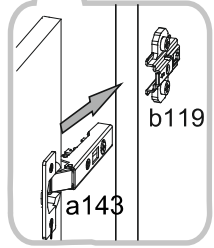
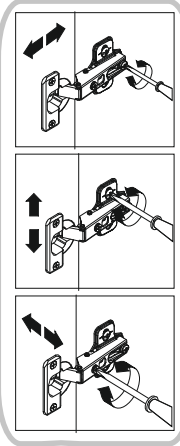
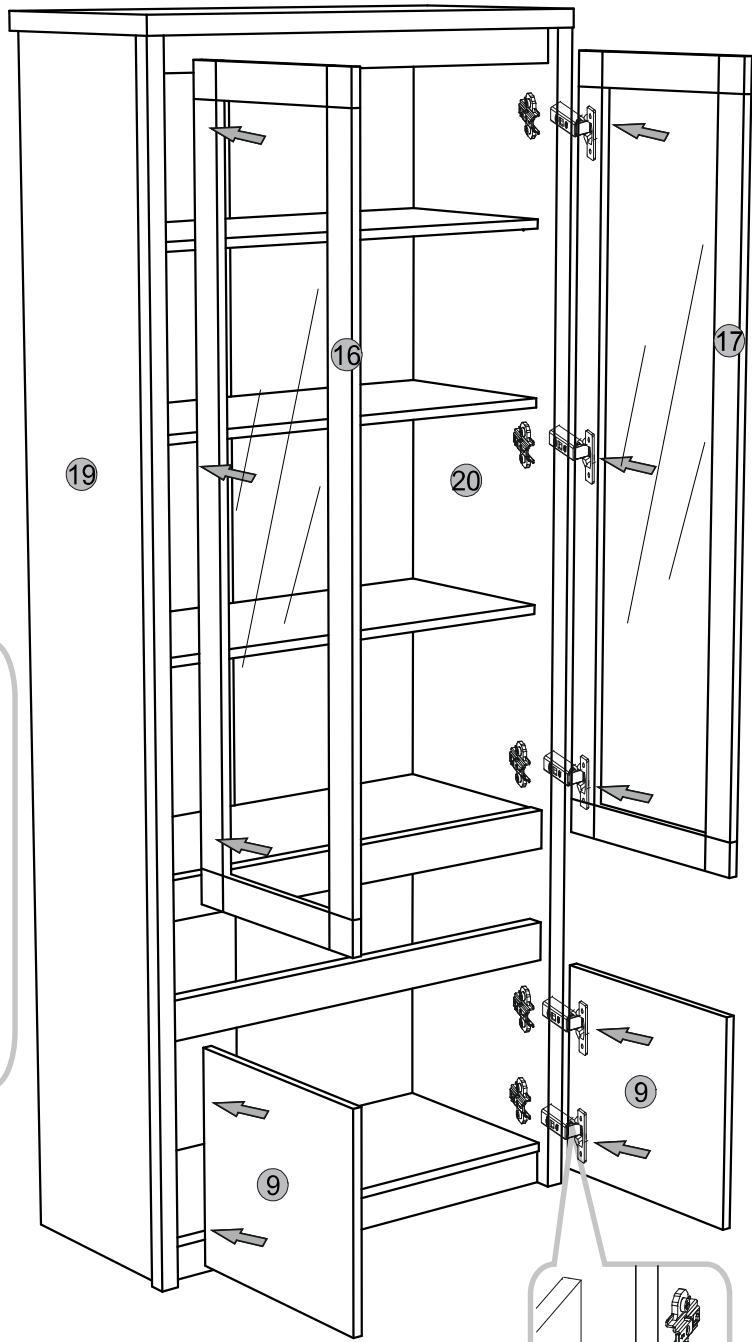
# 7



# 6



8



9

