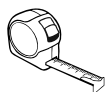
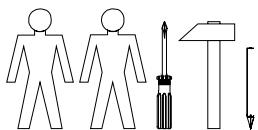
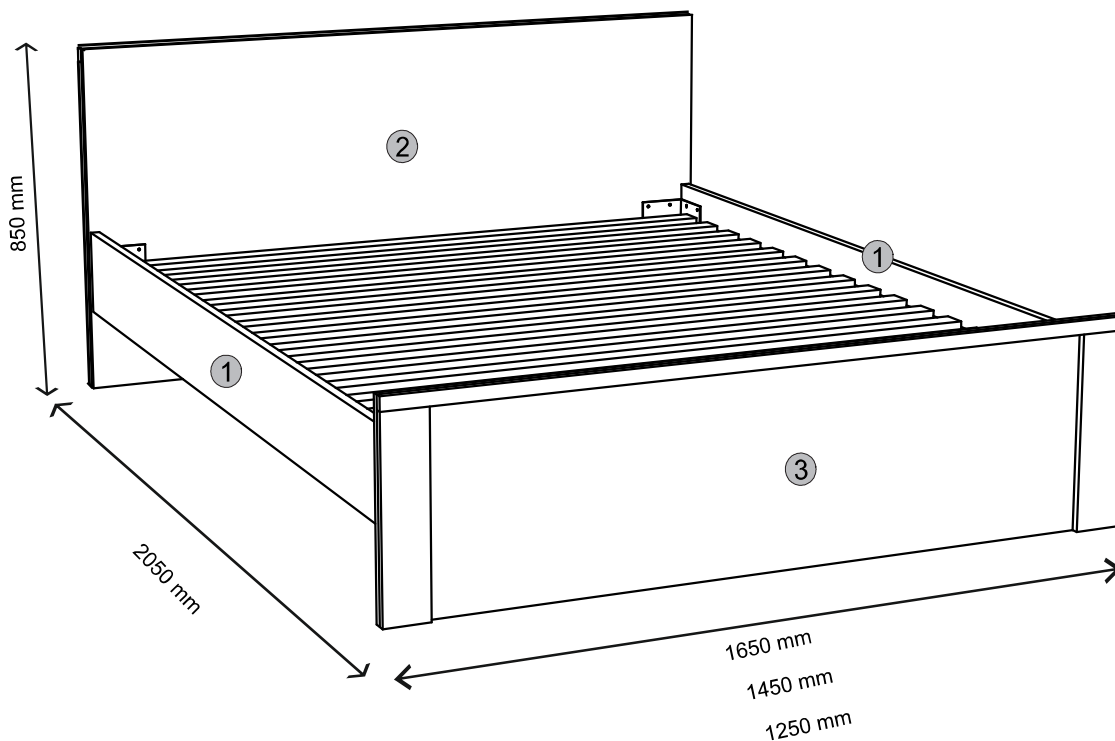




# Instalation manual

NORTON: LOZ\_160\_140\_120



## LOZ\_160

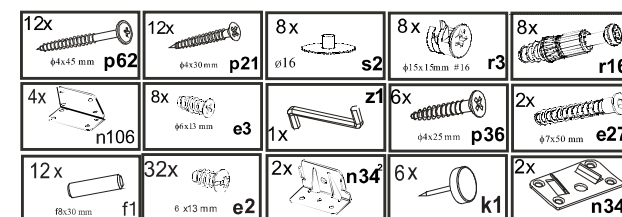
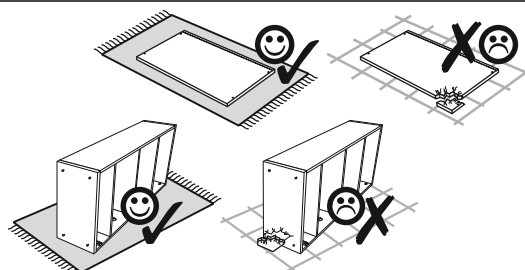
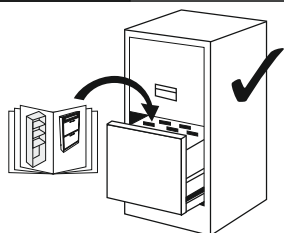
Element symbol	Dimensions				Code	Package
1	200	2000	22	2	NS-101A	2/2
2	850	1654	16/32	1	NS-103A	1/1
3	455	1654	16/32	1	NS-104A	1/1
4	1880	30	25	2		2/2
5	1980	70	27	1		2/2
6	285	70	27	1		2/2
7	786	2000	20	2		

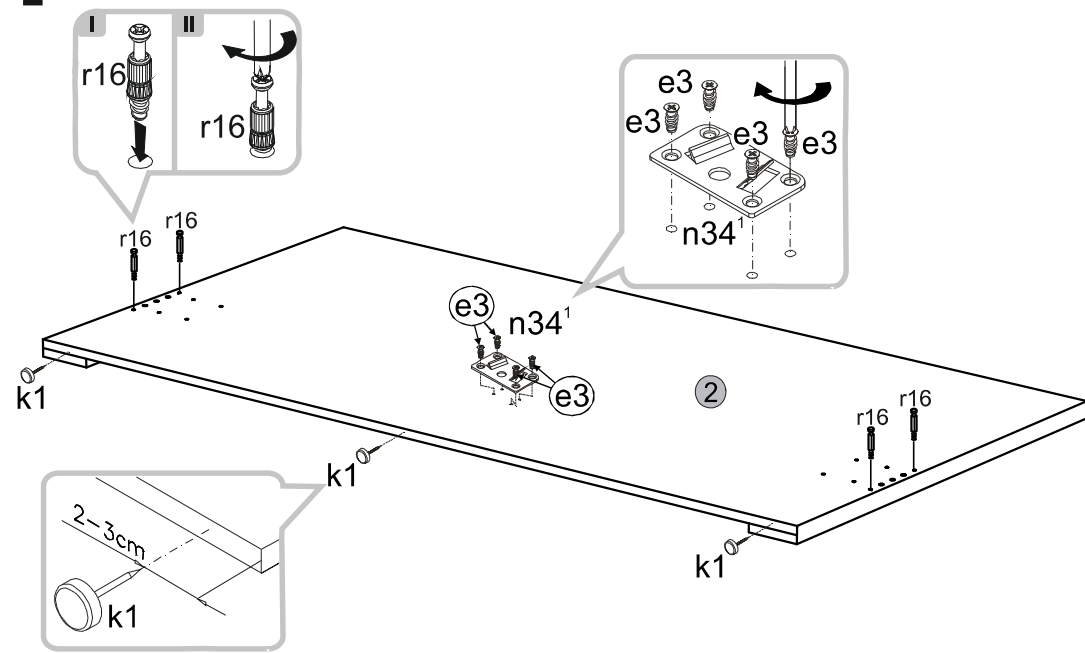
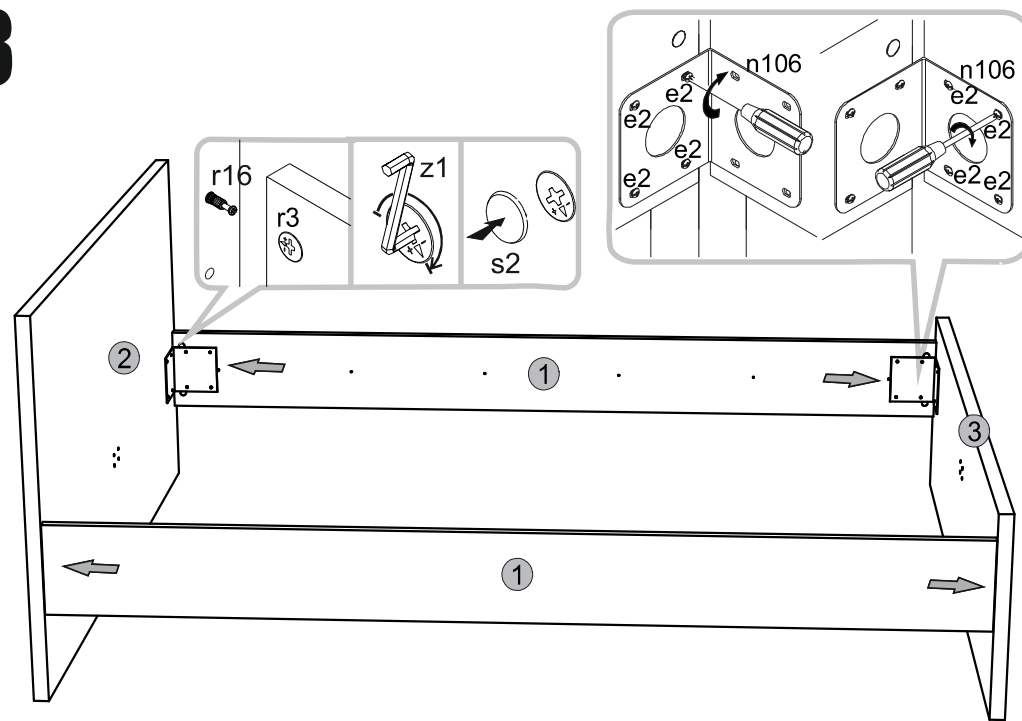
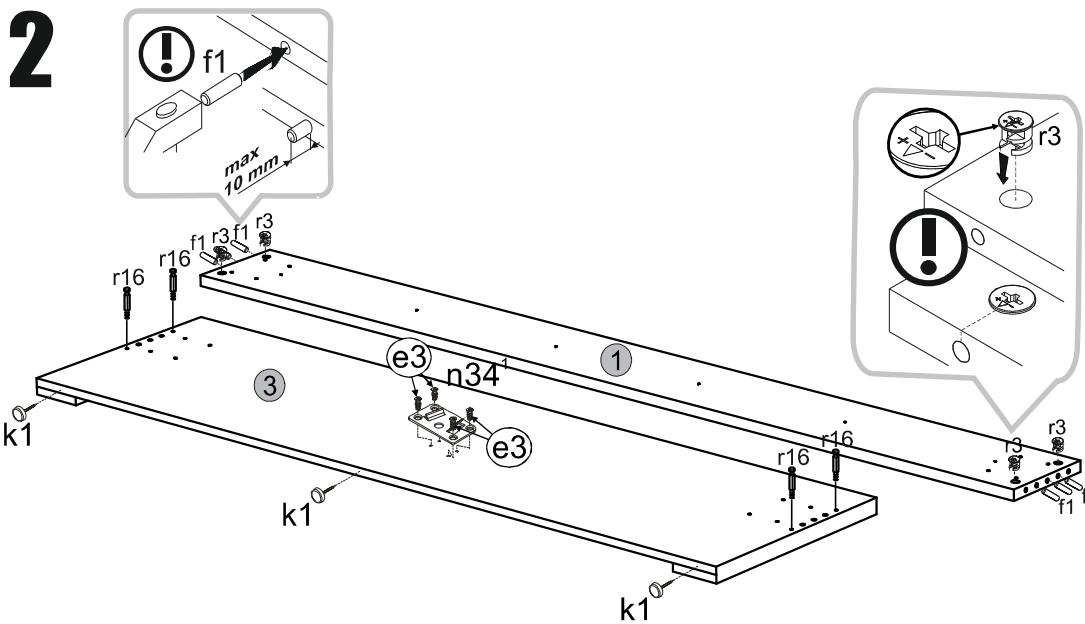
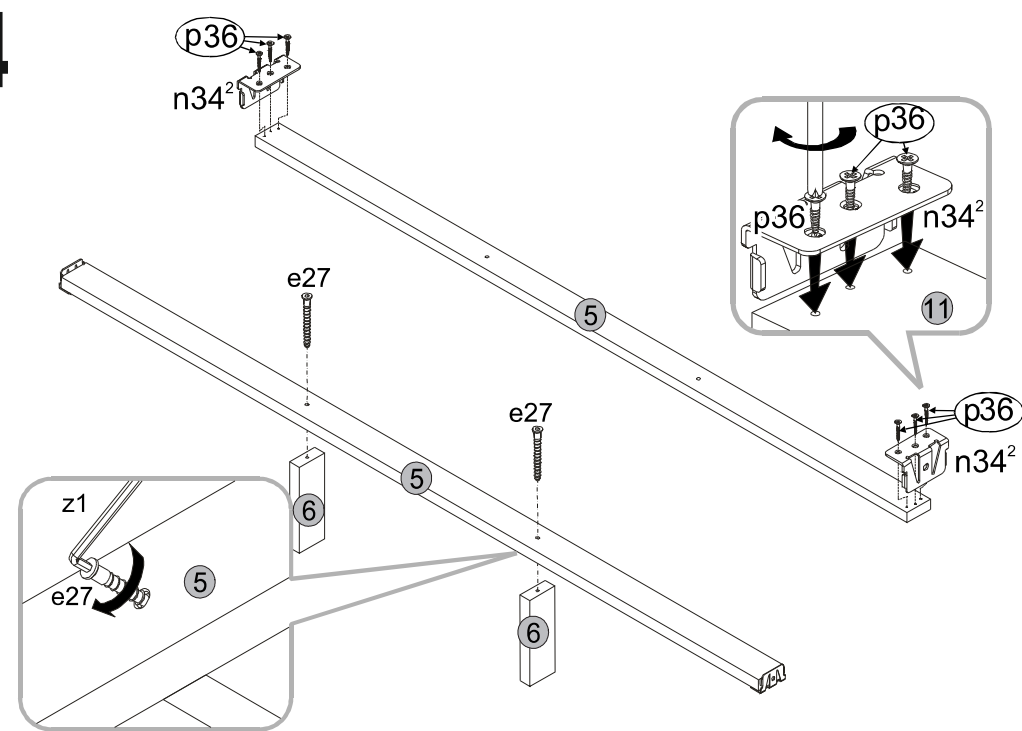
## LOZ\_140

Element symbol	Dimensions				Code	Package
1	200	2000	22	2	NS-101A	2/2
2	850	1454	16/32	1	NS-130A	1/1
3	455	1454	16/32	1	NS-131A	1/1
4	1880	30	25	2		2/2
5	1980	70	27	1		2/2
6	285	70	27	1		2/2
7	686	2000	20	2		

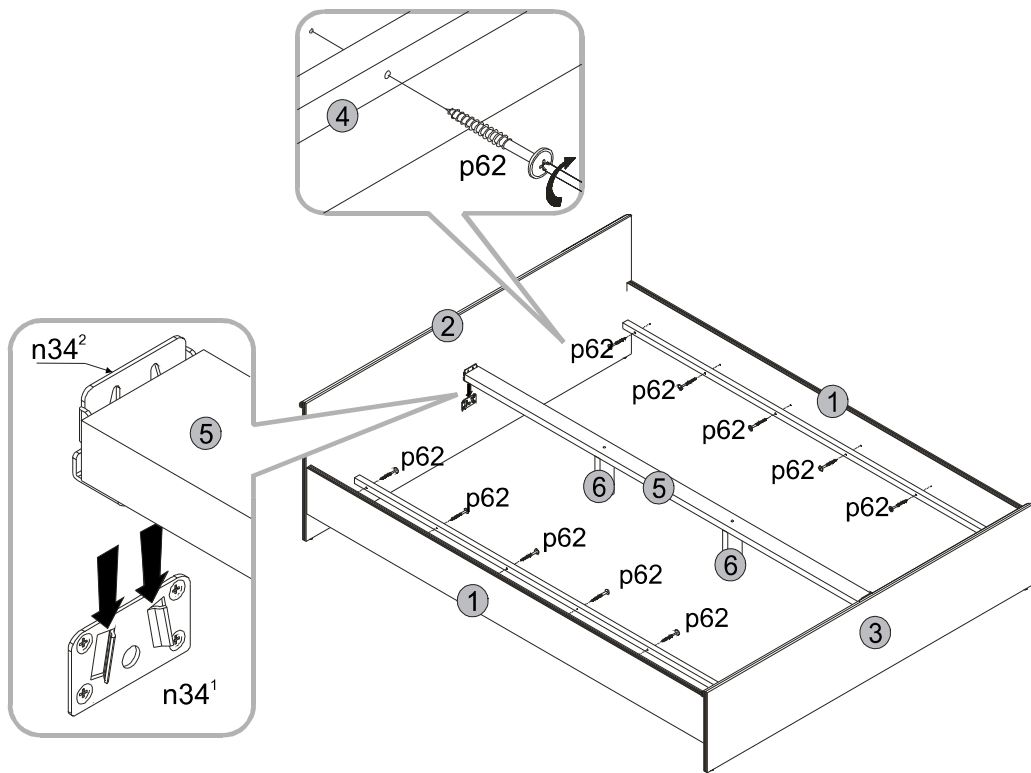
## LOZ\_120

Element symbol	Dimensions				Code	Package
1	200	2000	22	2	NS-101A	2/2
2	850	1254	16/32	1	NS-132A	1/1
3	455	1254	16/32	1	NS-133A	1/1
4	1880	30	25	2		2/2
5	1980	70	27	1		2/2
6	285	70	27	1		2/2
7	686	2000	20	2		



**1****3****2****4**

# 5



# 6

