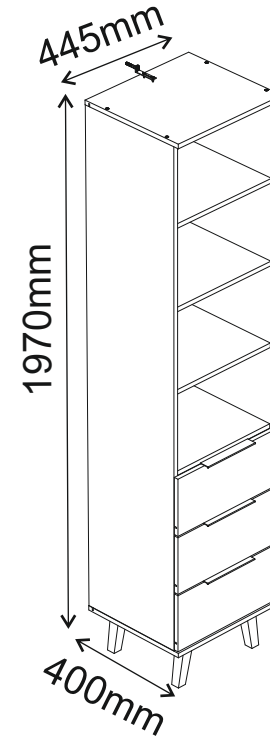
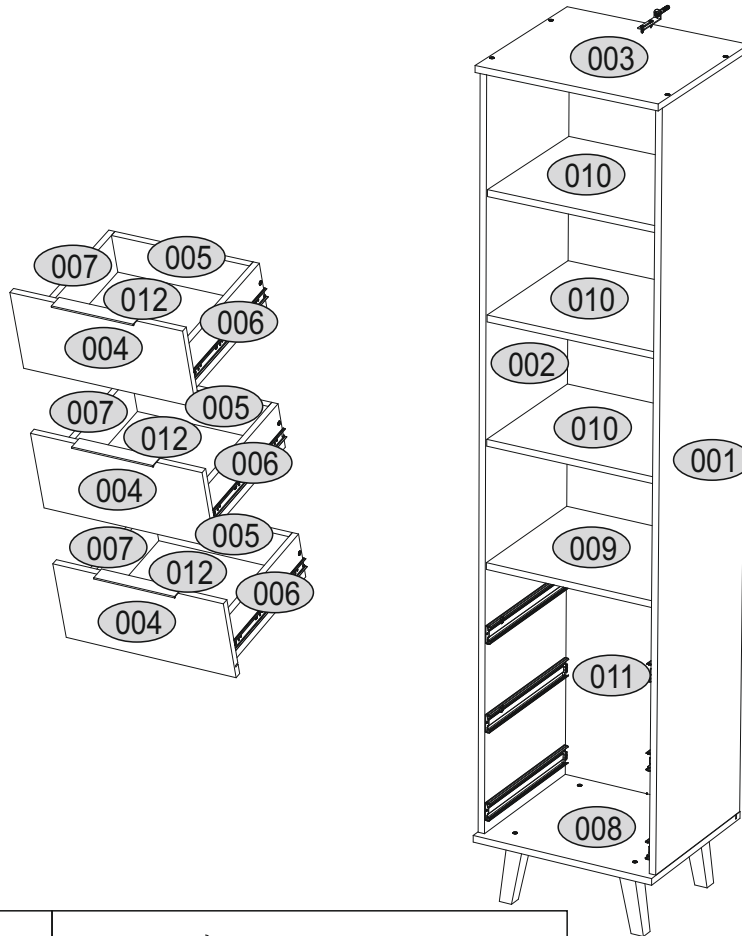
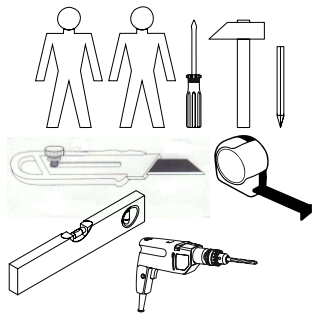
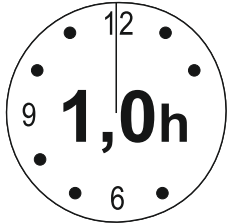


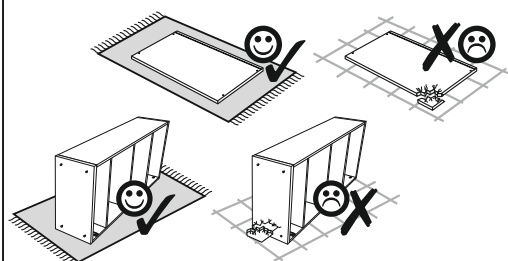
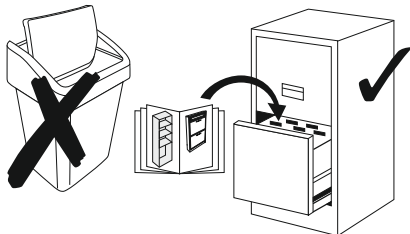


Installation manual










SHELVING OPEN 3S

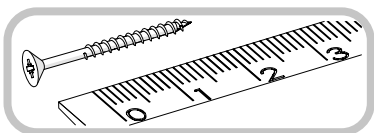


Code	Dimensions			Package	
001	1788	380	16	1	2/2
002	1788	380	16	1	2/2
003	445	400	16	1	2/2
004	440	206	16	3	2/2
005	354	120	16	3	1/2
006	350	120	16	3	1/2
007	350	120	16	3	1/2
008	445	400	16	1	2/2
009	411	357	16	1	1/2
010	411	357	16	3	1/2
011	1806	429	3	1	2/2
012	352	372	3	3	2/2
accessories				2	1/2

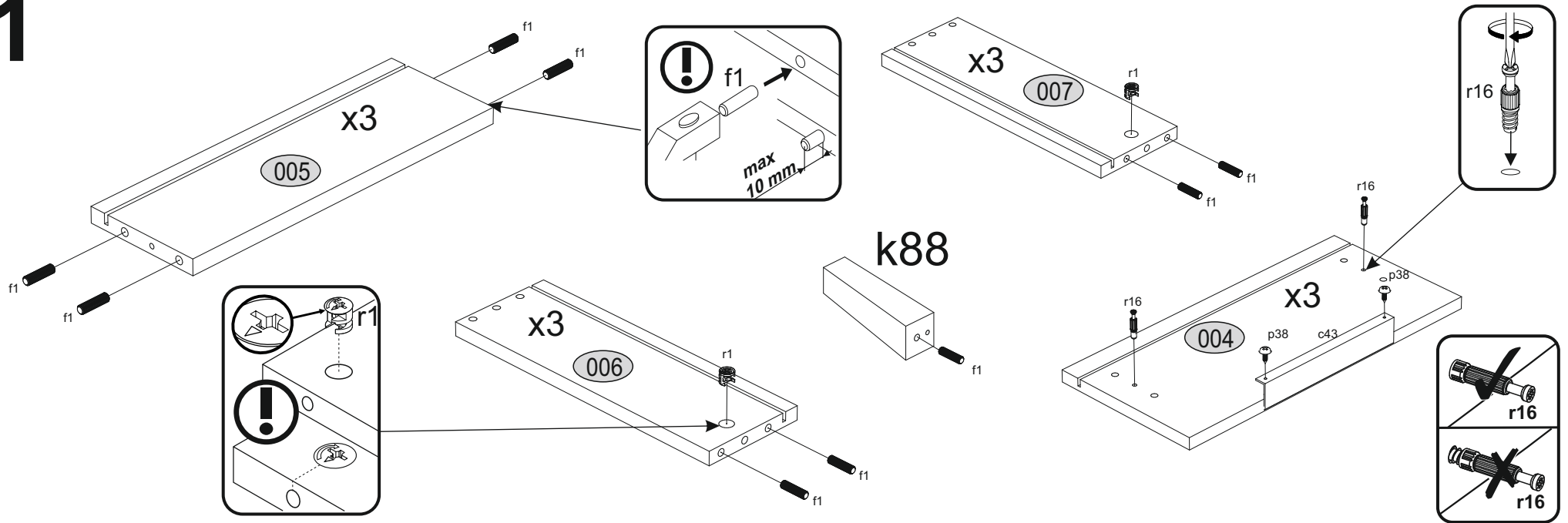


Accessories:

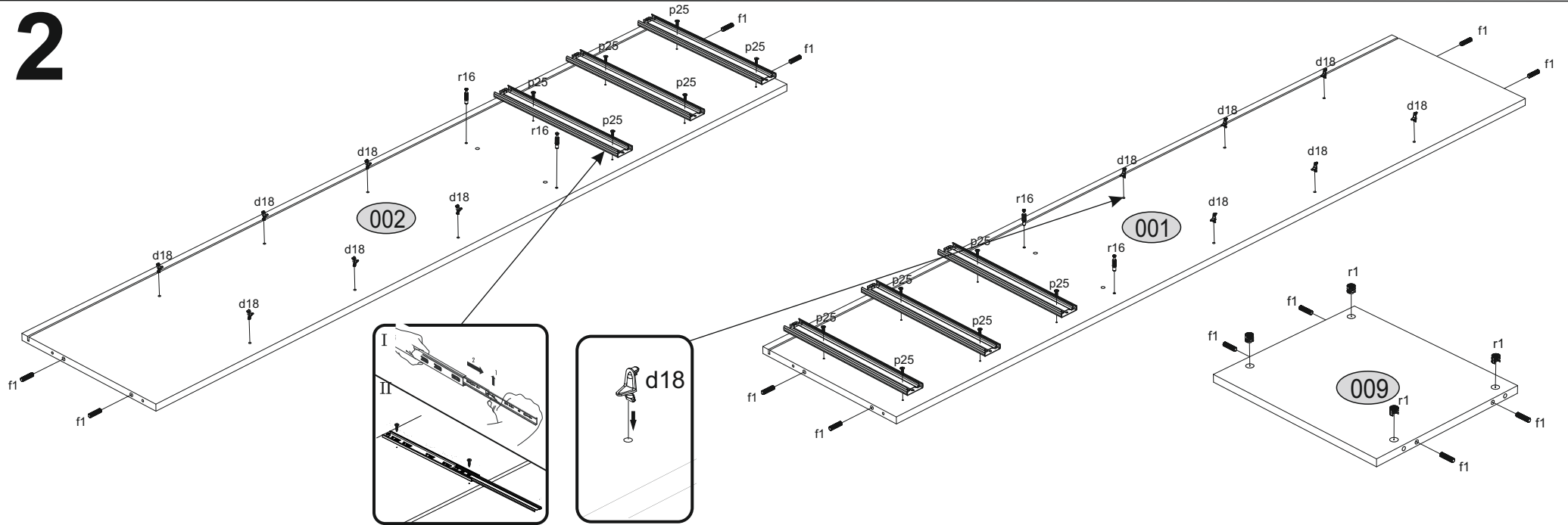
<p>x3 c43</p> 	<p>x12 d18</p> 	<p>x18 e1</p> <p><i>Ø7x50mm</i></p> 	<p>x18 s1</p> 
<p>x40 f1</p> <p><i>Ø8x30mm</i></p> 	<p>x1 f3</p> 	<p>x10 l2</p> 	<p>x3 lb-350</p> 
<p>x1 n14</p> 	<p>x1 p17</p> 	<p>x48 p25</p> 	<p>x6 p38</p> 
<p>x10 r1</p> 	<p>x10 r16</p> 	<p>x10 s2</p> 	<p>x1 z1</p> 
<p>x4 k88</p> 			

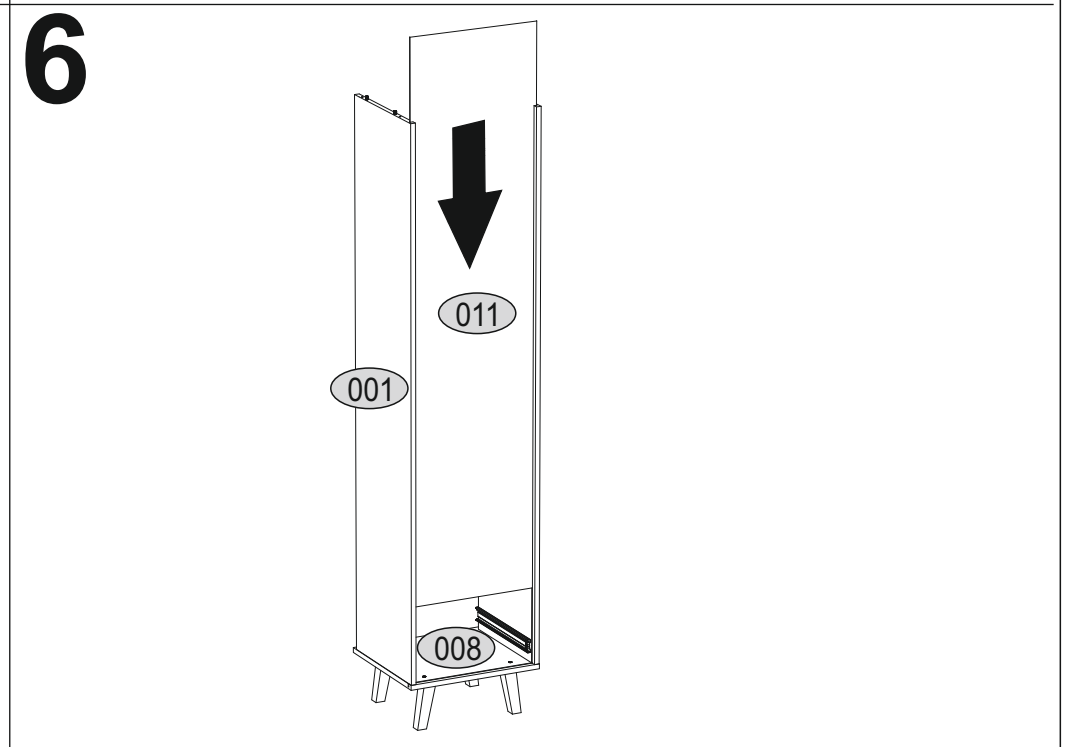
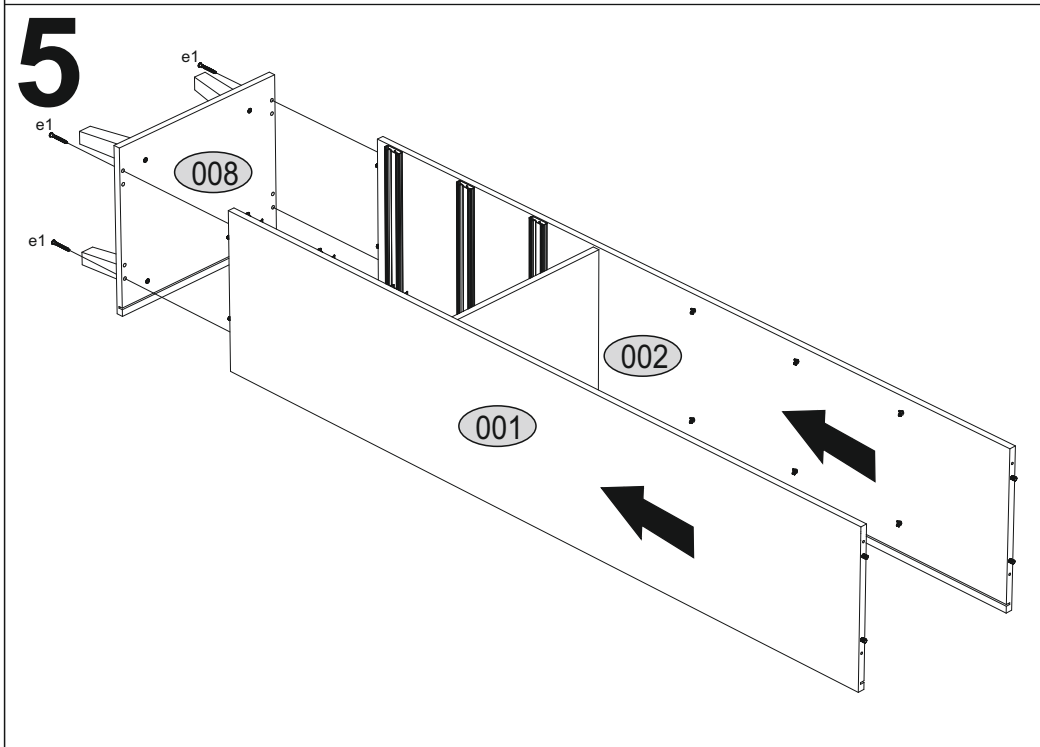
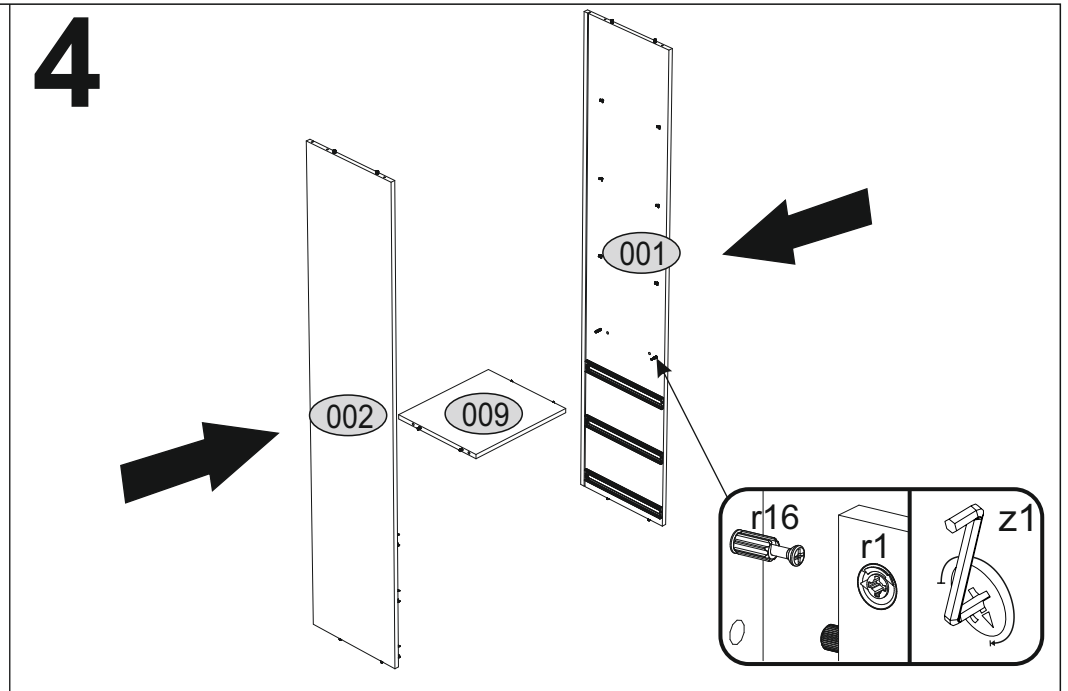
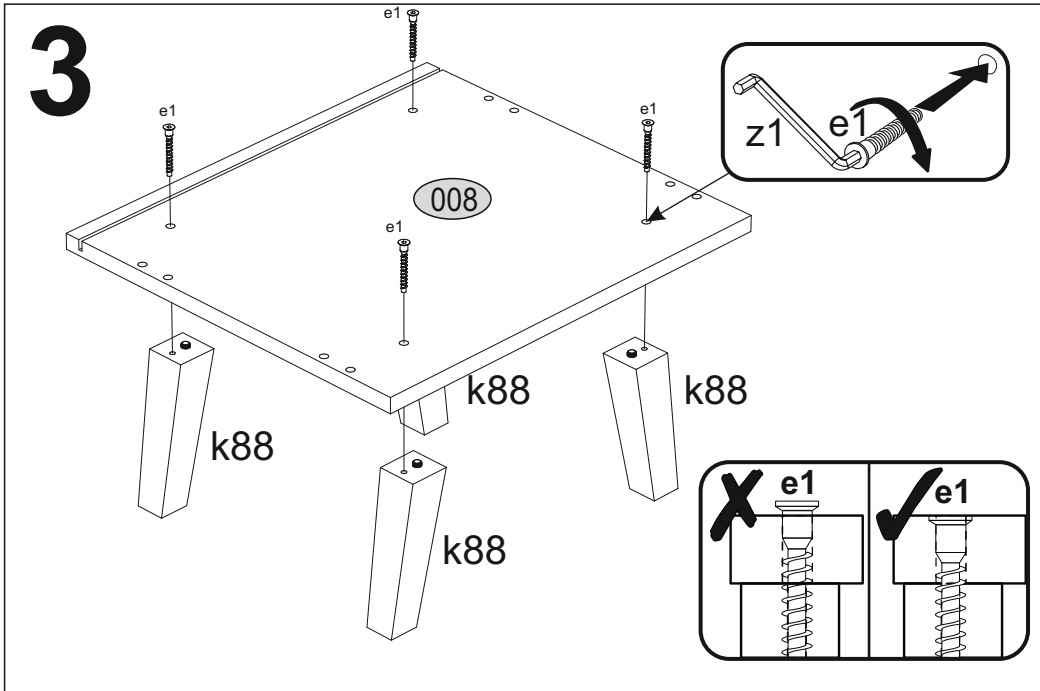


1

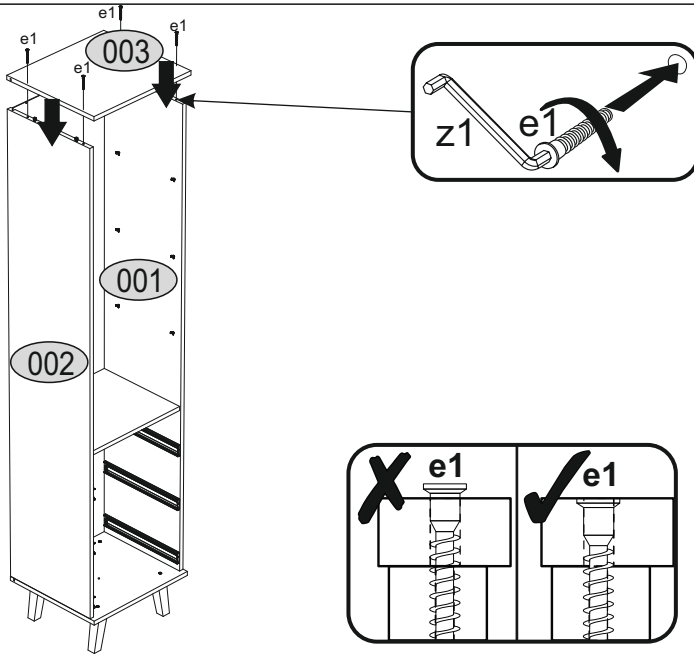


2

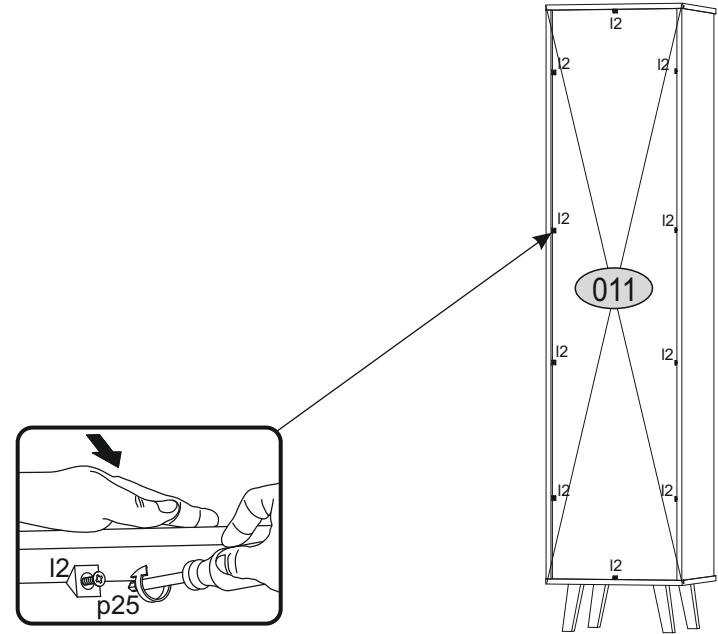




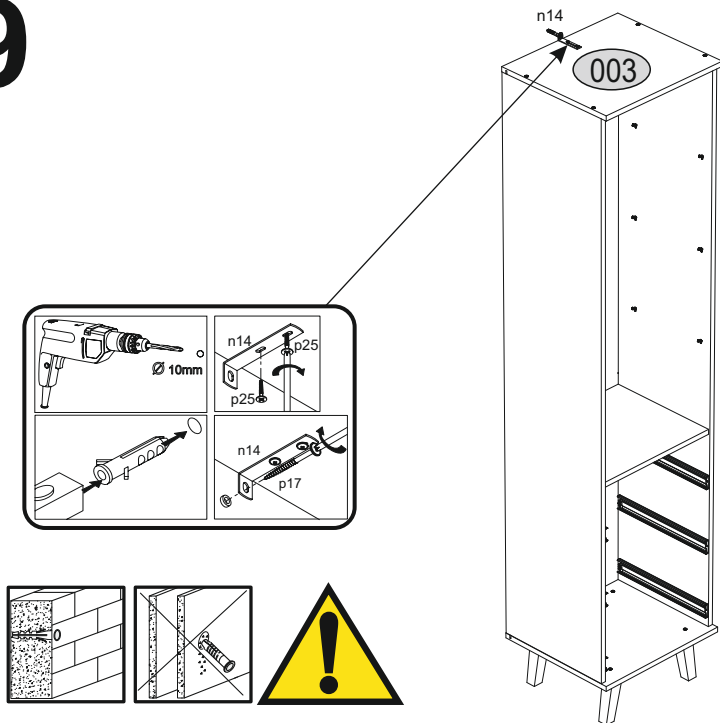
7



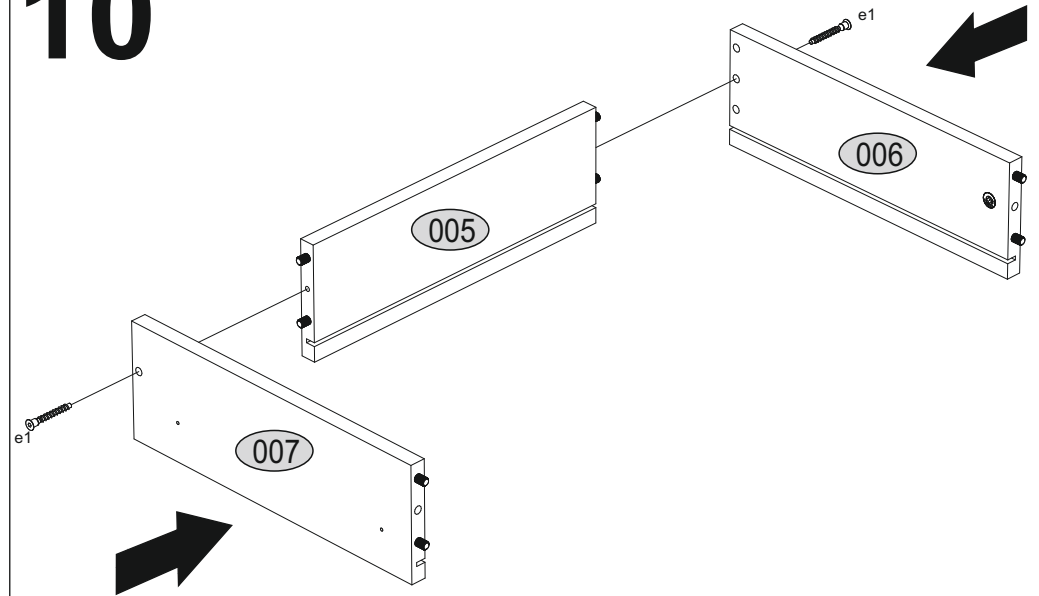
8



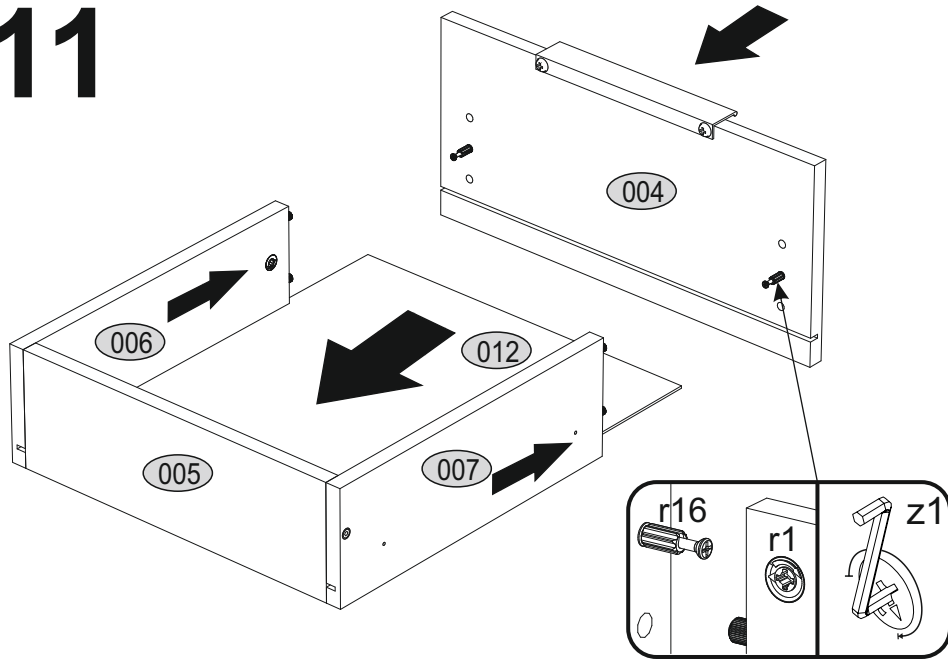
9



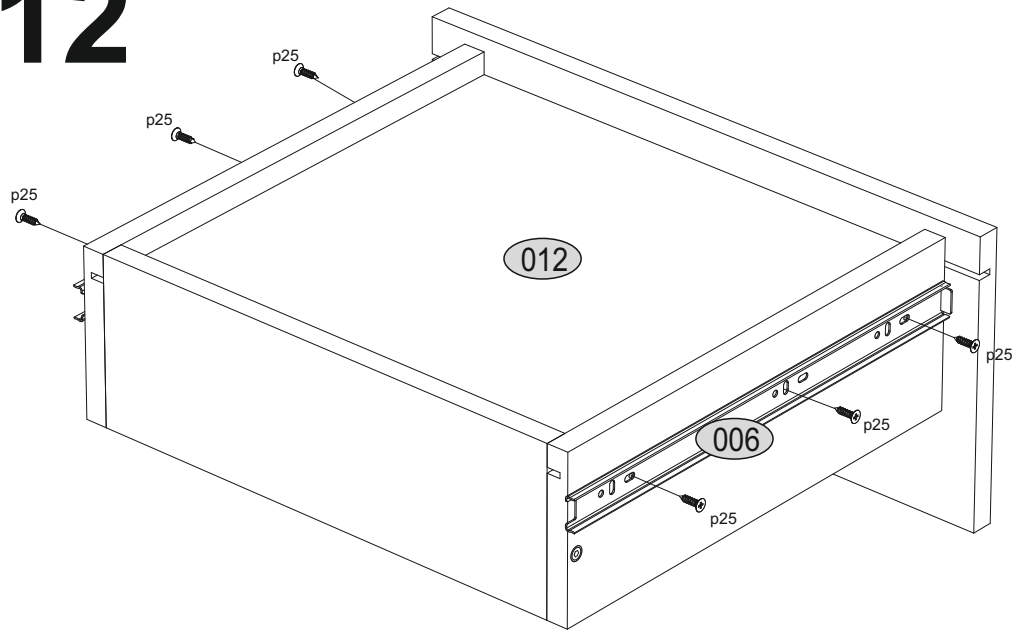
10



11



12



13

