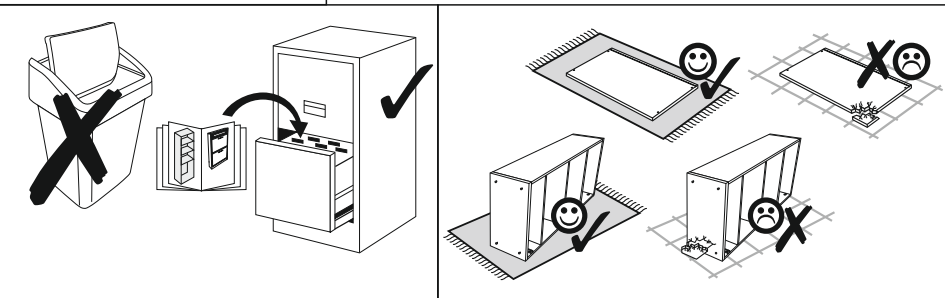
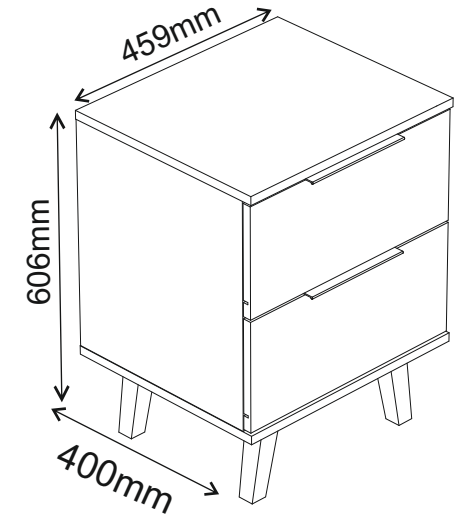
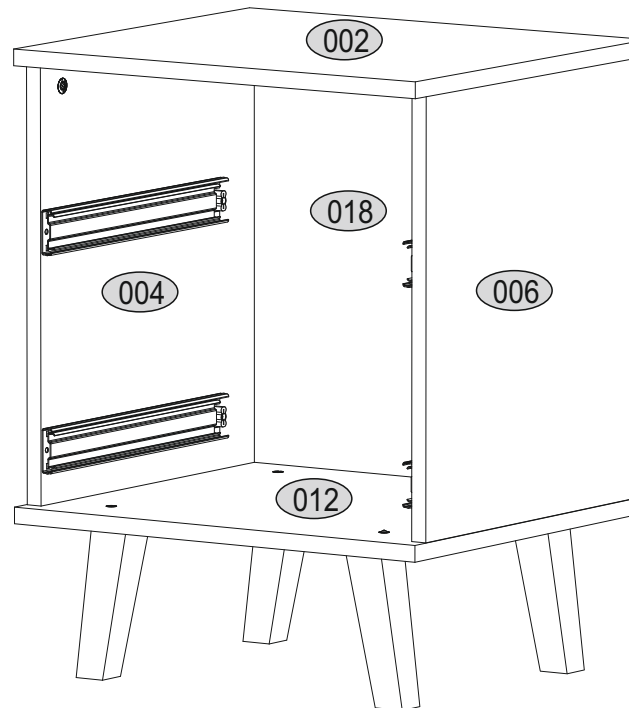
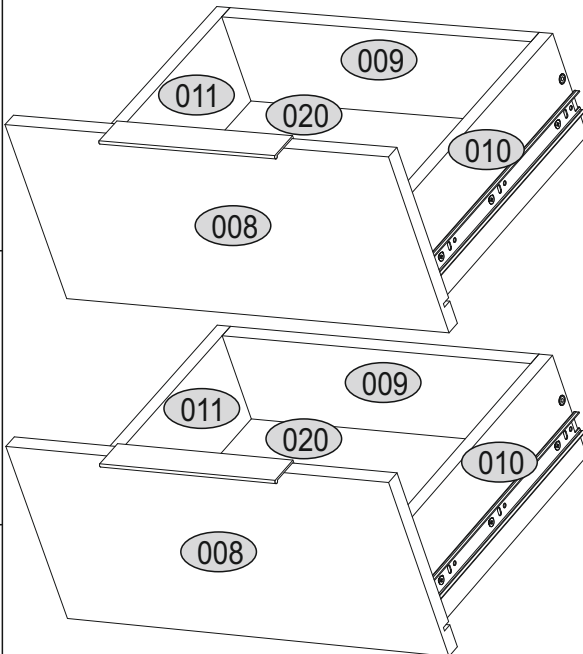
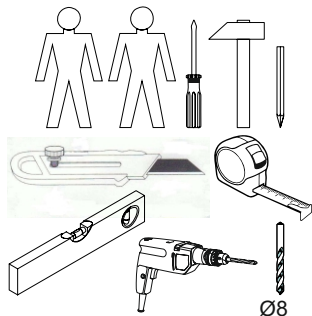
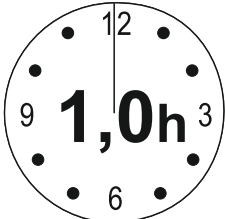




Installation manual

CABINET 2S 46

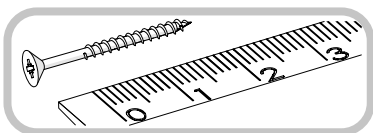
MÖBEL 3674 KOMMODE KLEIN 2S46 NEPTUNE W/SE



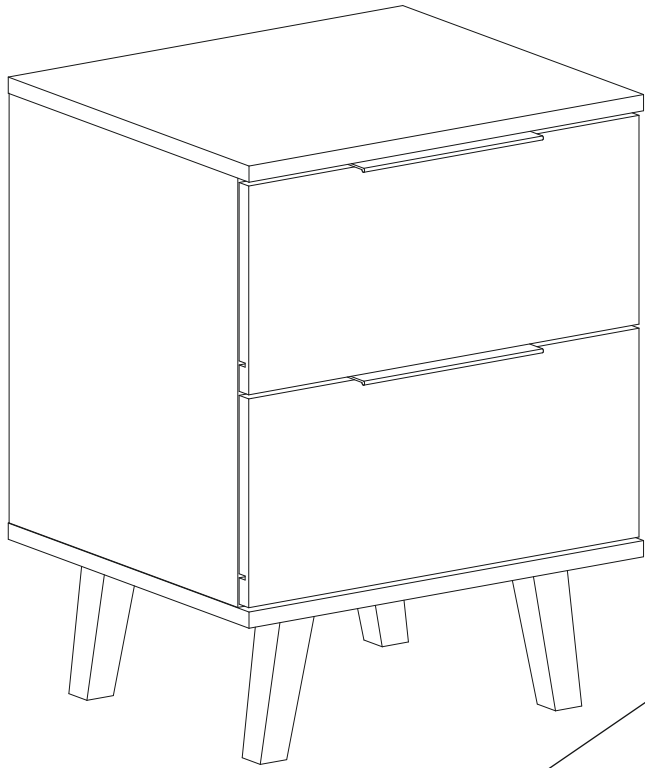
Code	Dimensions			Anzahl	Package
002	459	400	16	1	1/1
004	424	380	16	1	1/1
006	424	380	16	1	1/1
008	454	206	16	2	1/1
009	368	120	16	2	1/1
010	350	120	16	2	1/1
011	350	120	16	2	1/1
012	459	400	16	1	1/1
018	424	425	16	1	1/1
020	352	386	3	2	1/1
accessories				2	1/1

Accessories

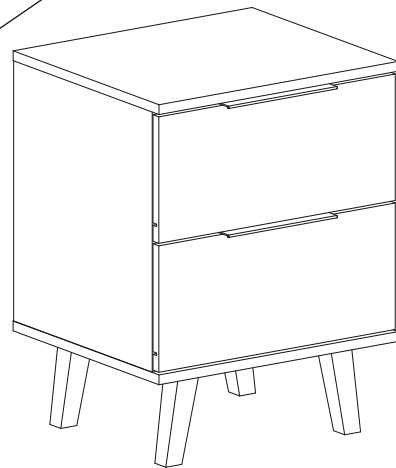
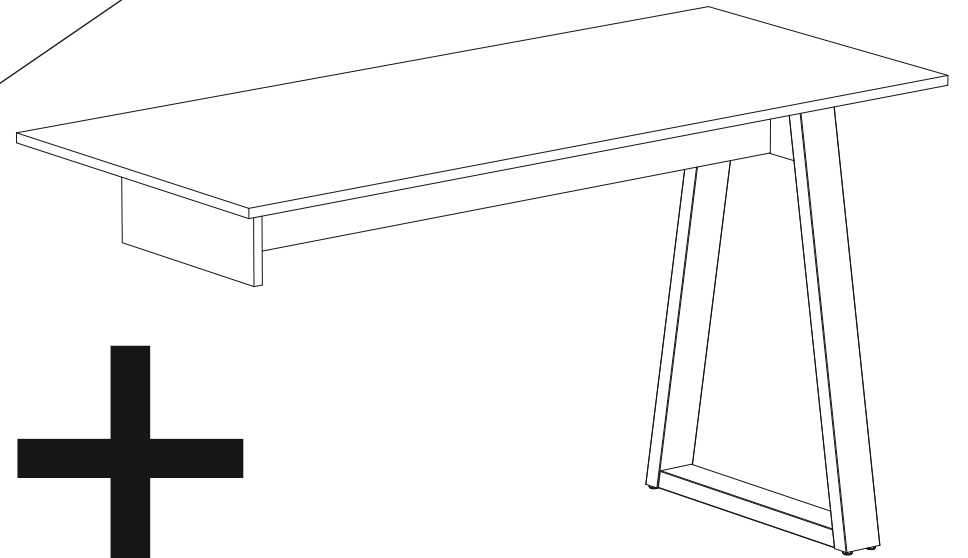
<p>x2 lb-350</p> 	<p>x2 c43</p> 	<p>x8 r1</p> 	<p>x12 e1</p> <p>Ø7x50mm</p> 
<p>x12 s1</p> 	<p>x32 f1</p> <p>Ø8x30mm</p> 	<p>x4 p38</p> 	<p>x1 z1</p> 
<p>x8 r16</p> 	<p>x24 p25</p> 	<p>x8 s2</p> 	<p>x4 k88</p> 



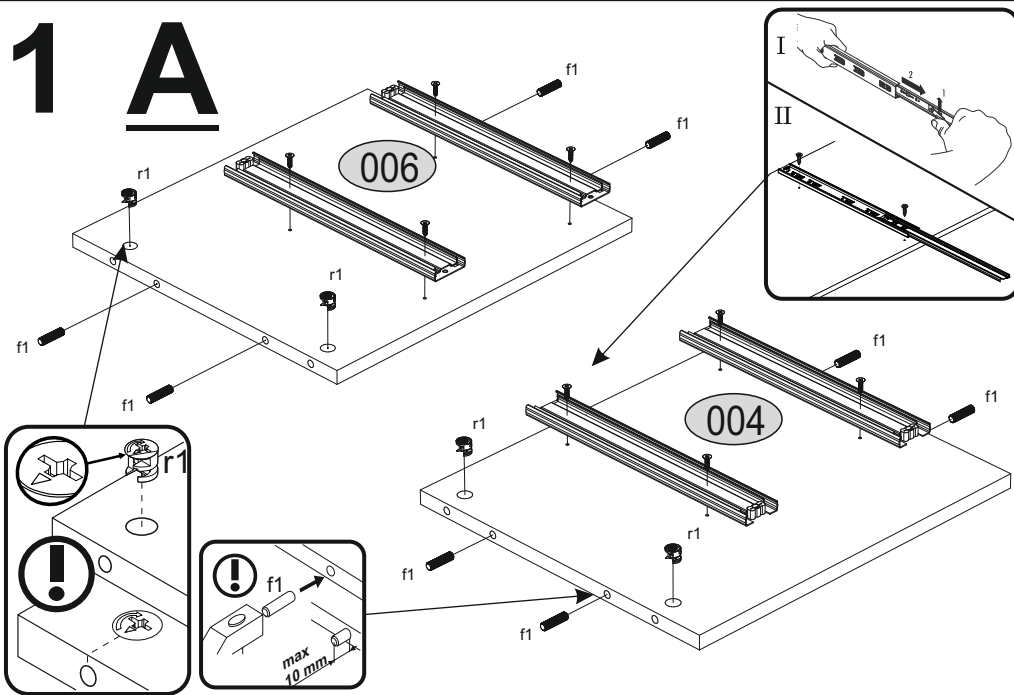
A



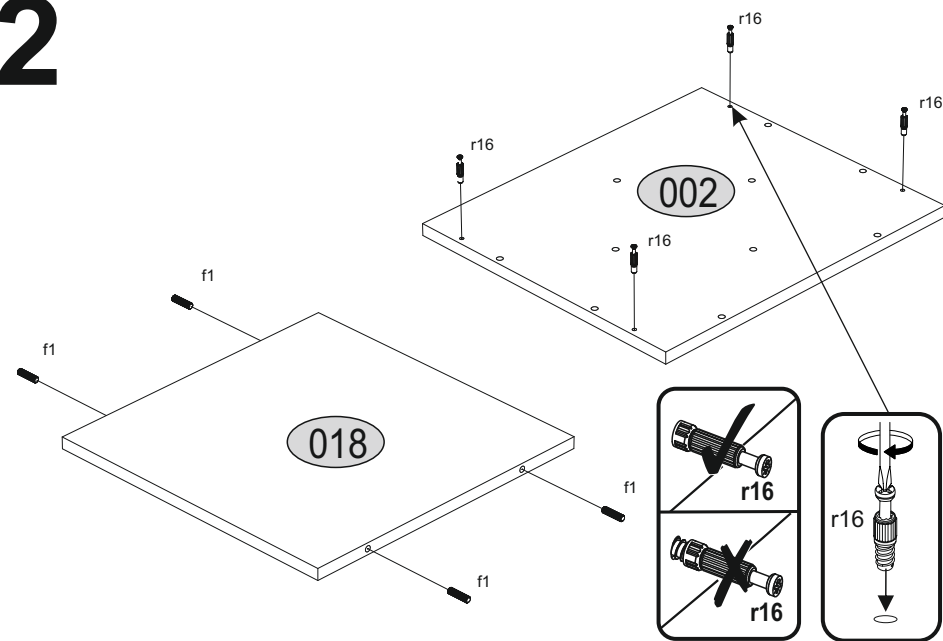
B



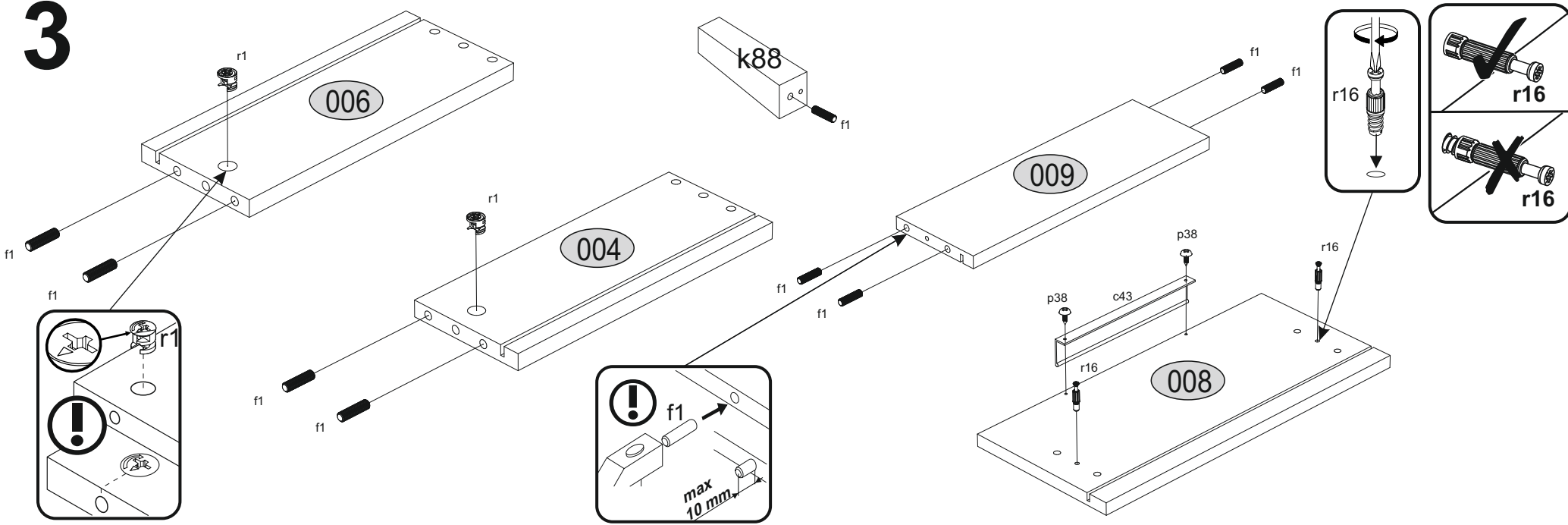
1 A



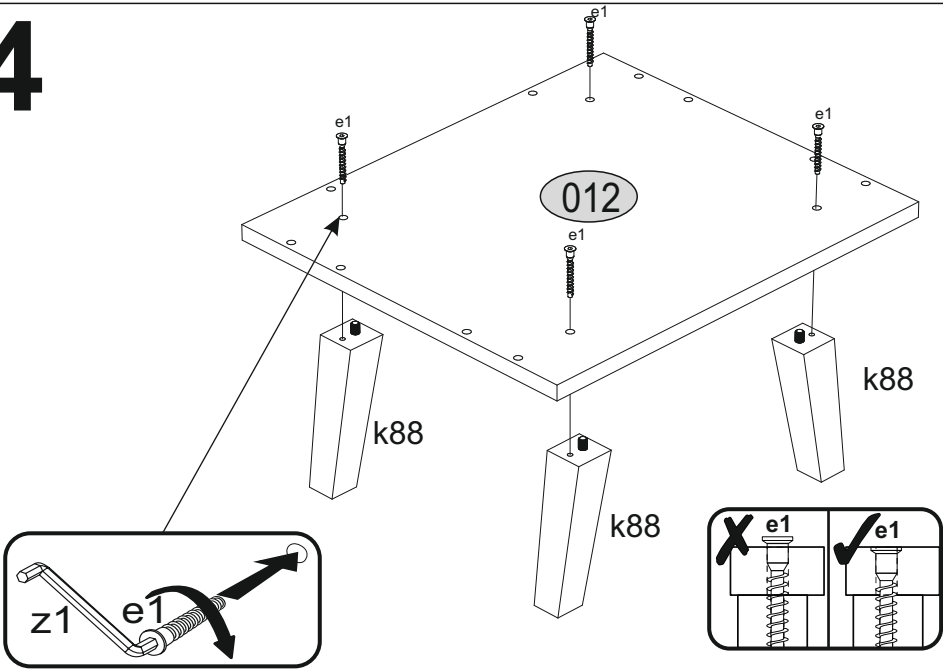
2



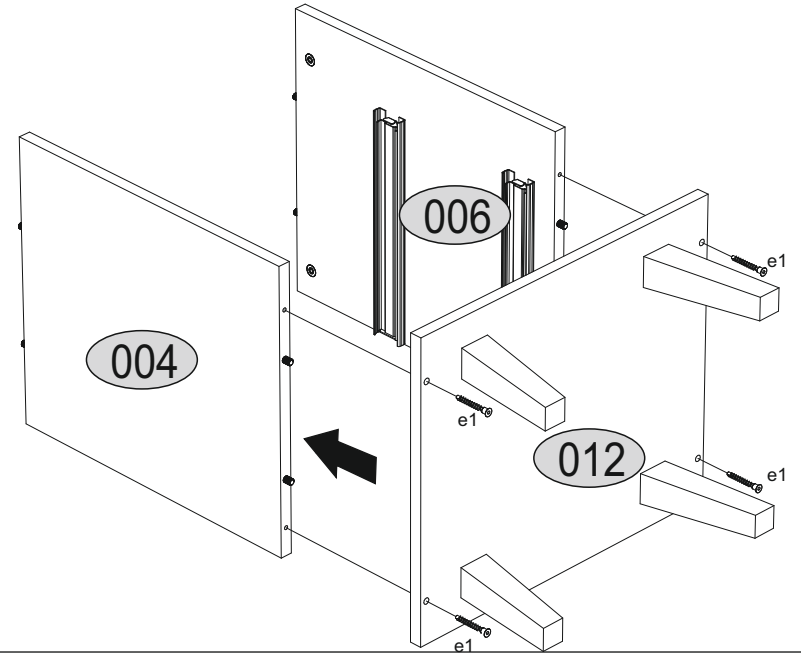
3



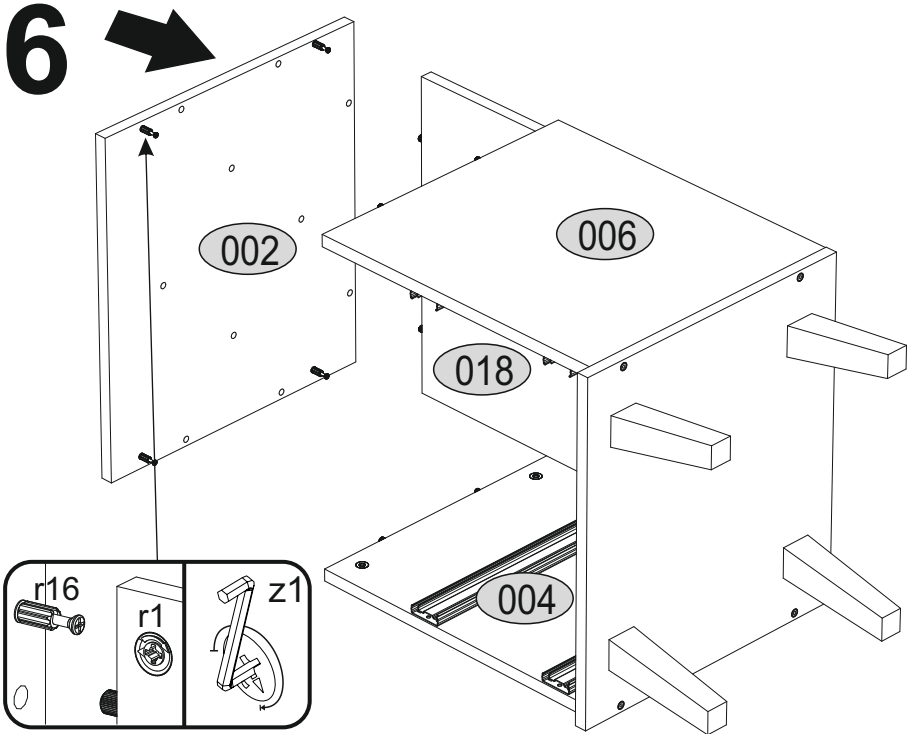
4



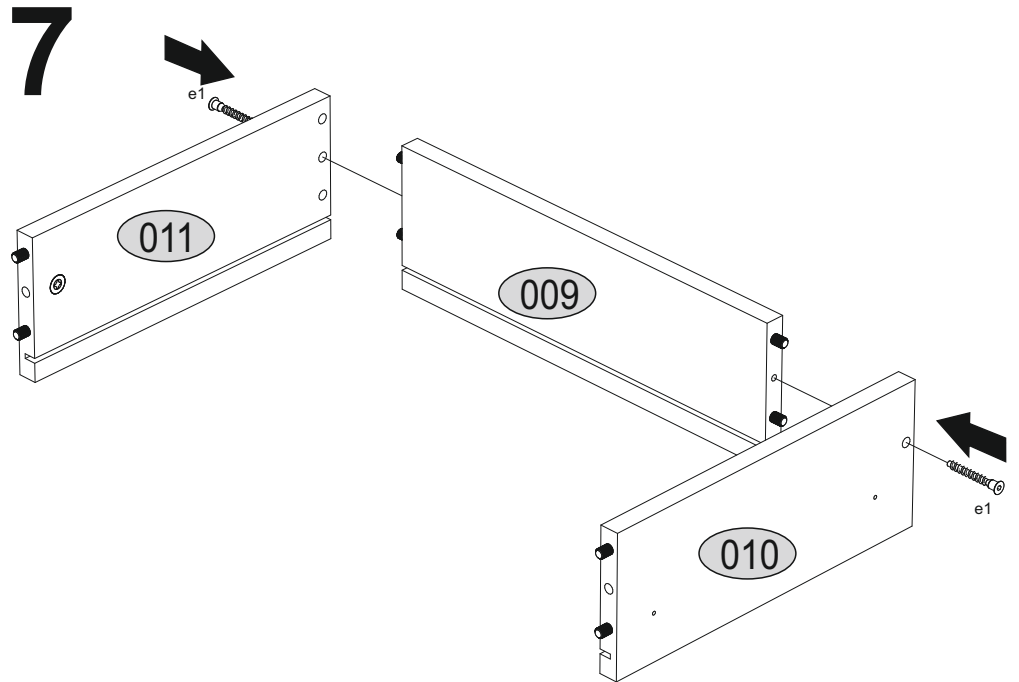
5



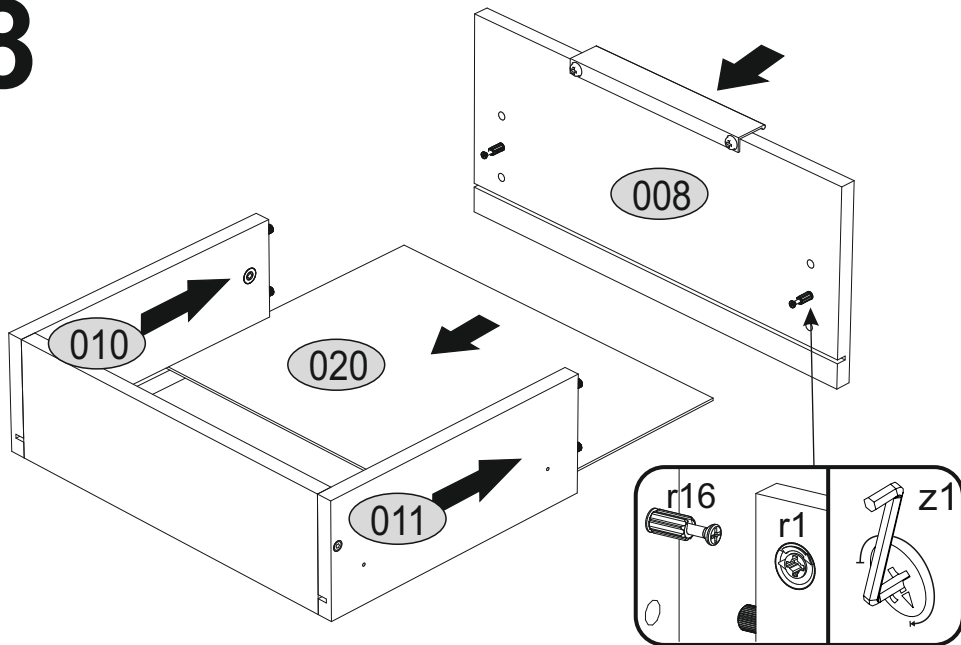
6



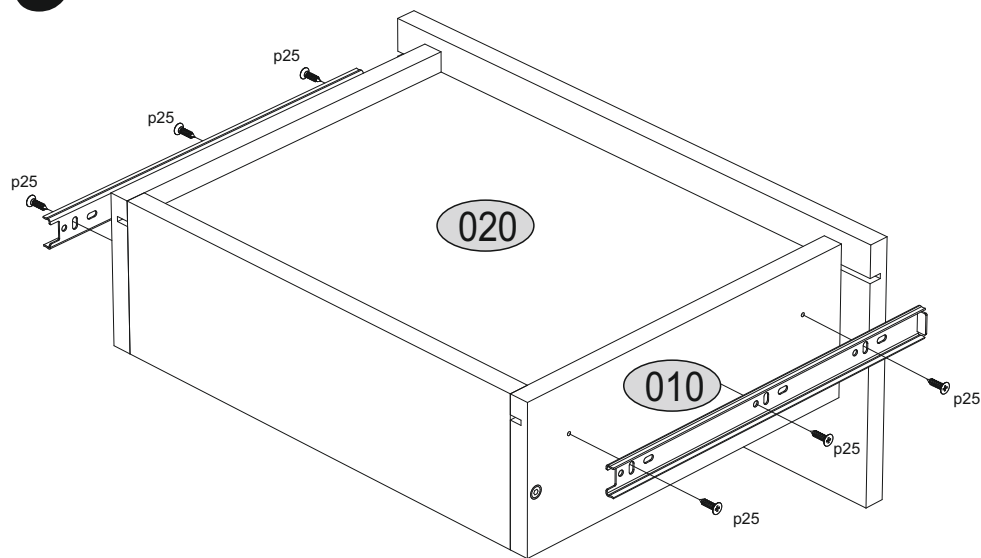
7



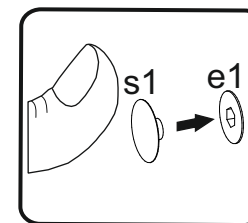
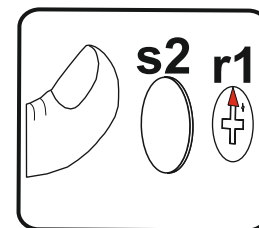
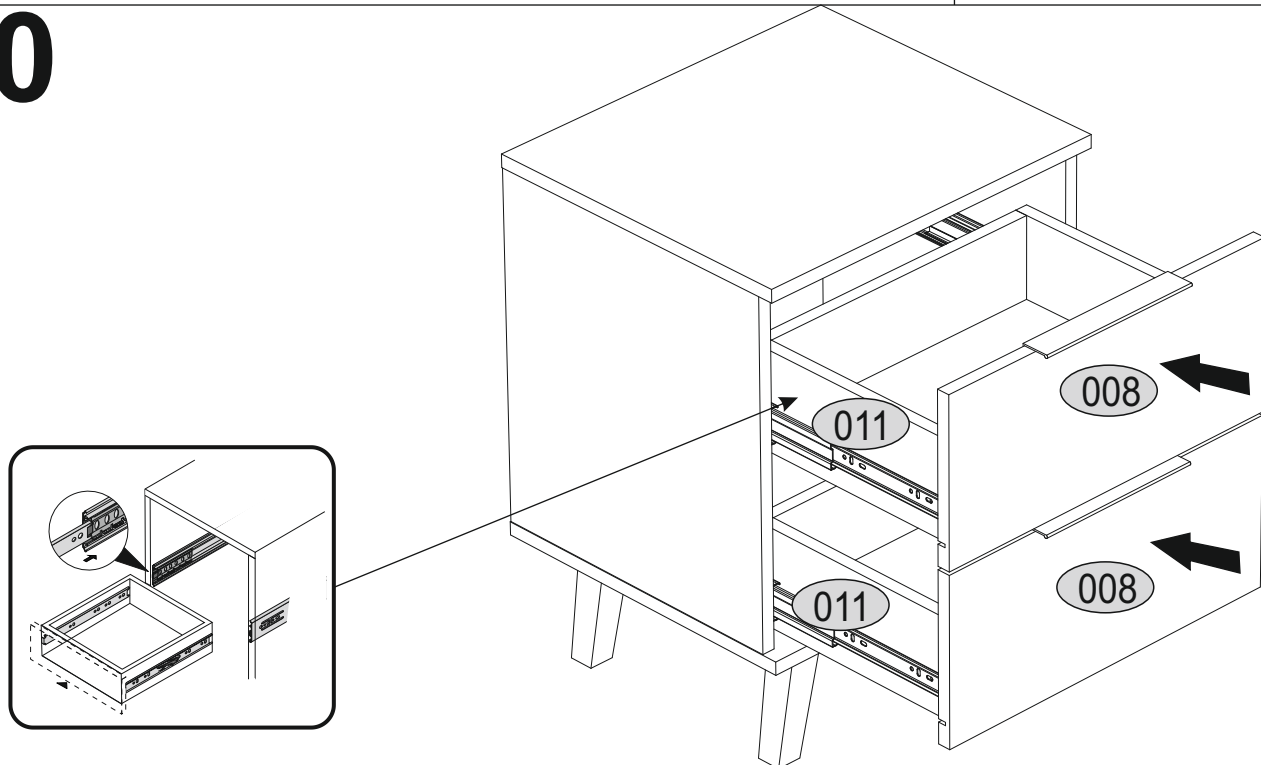
8



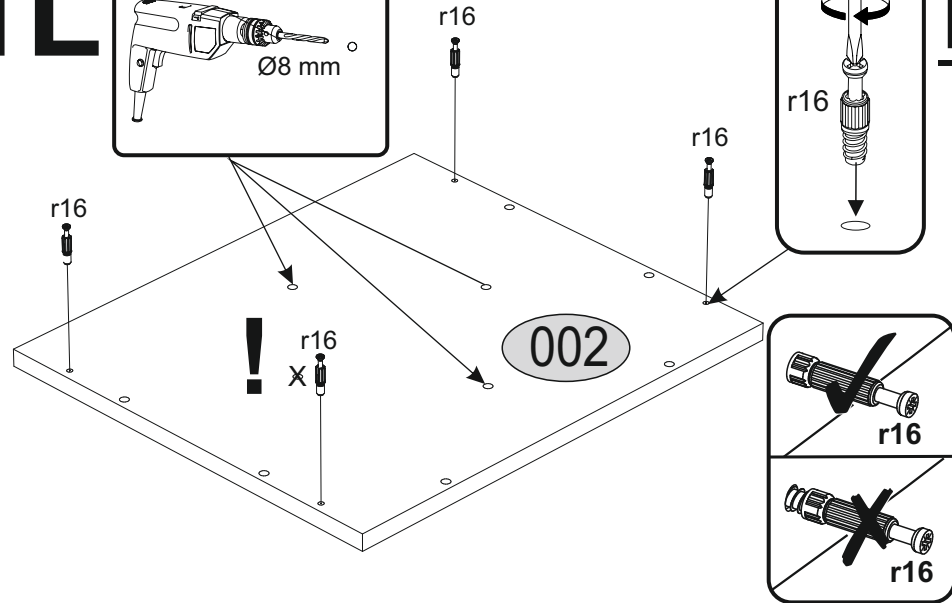
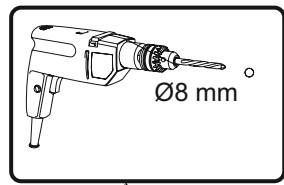
9



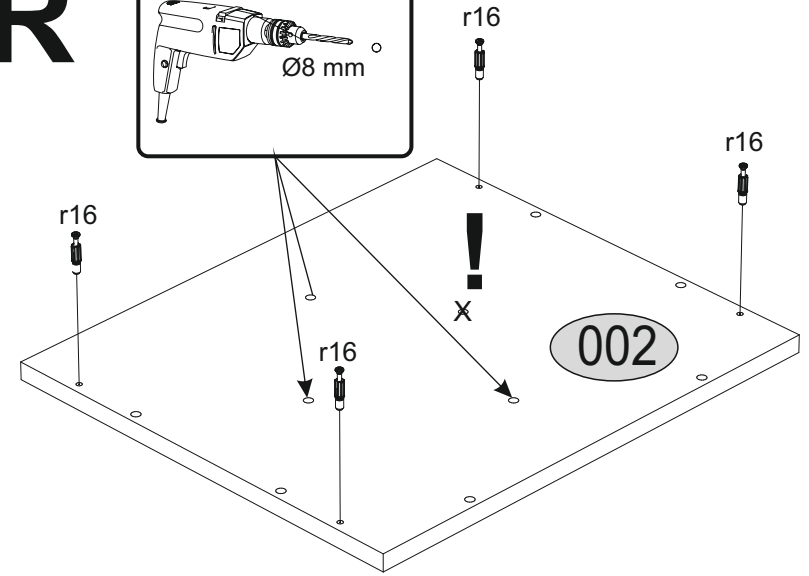
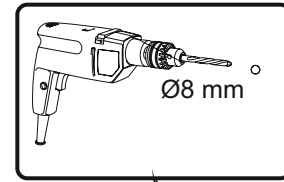
10



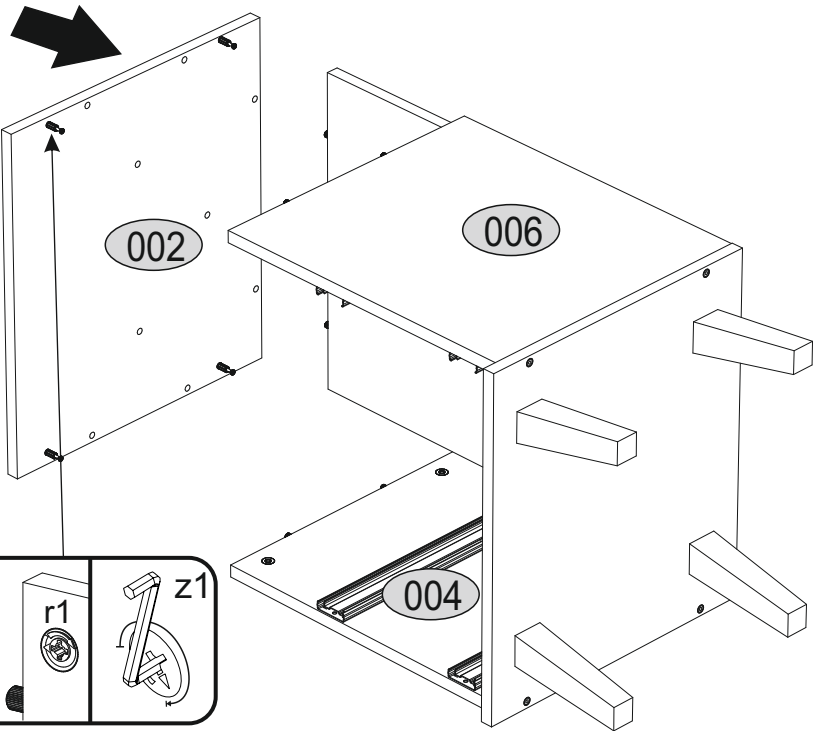
1L



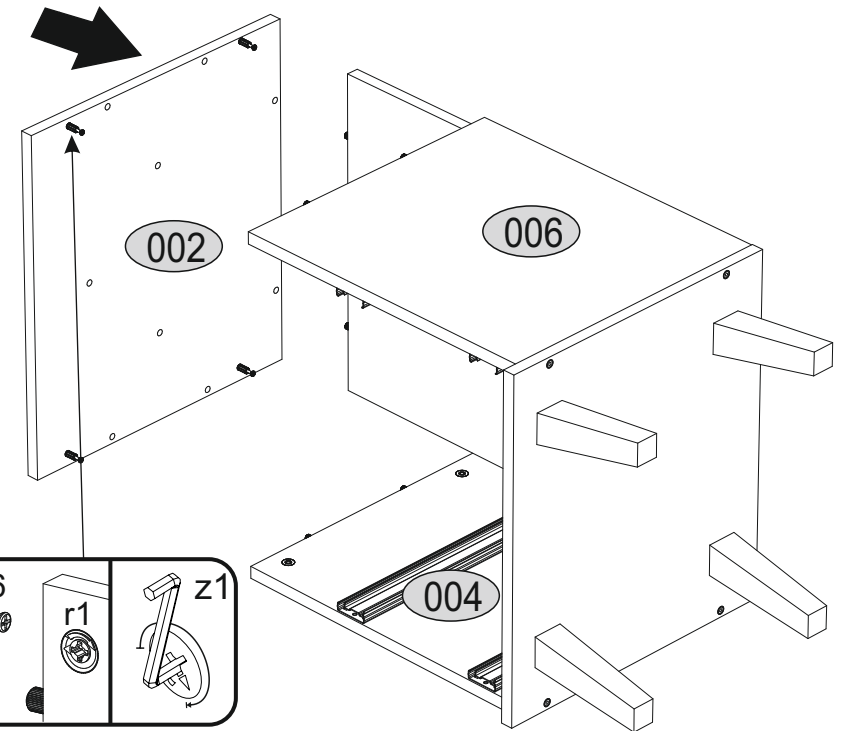
B 1R



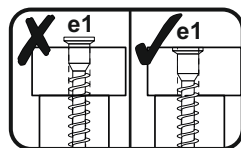
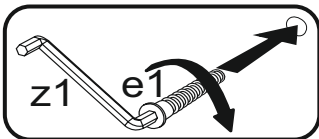
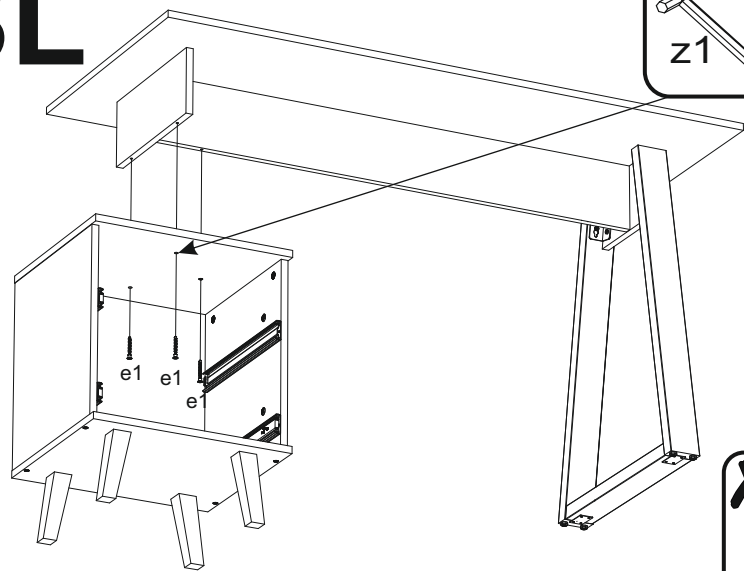
2L



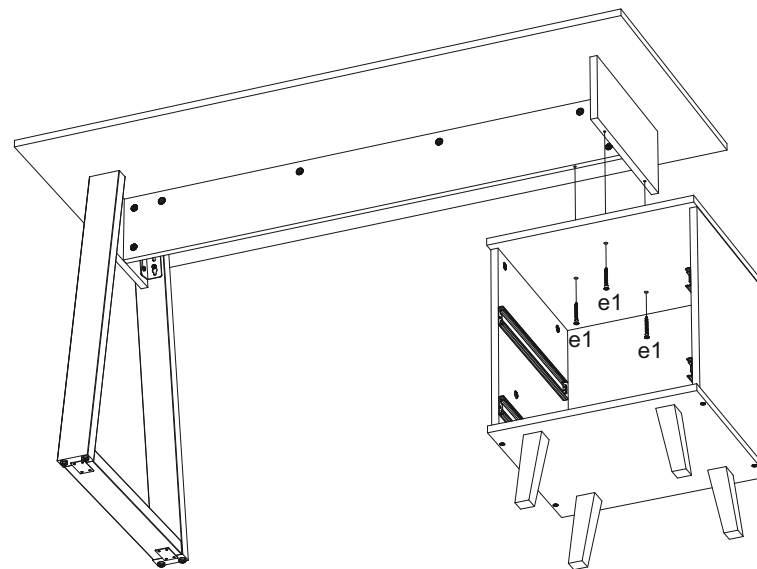
2R



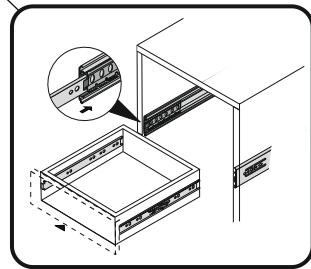
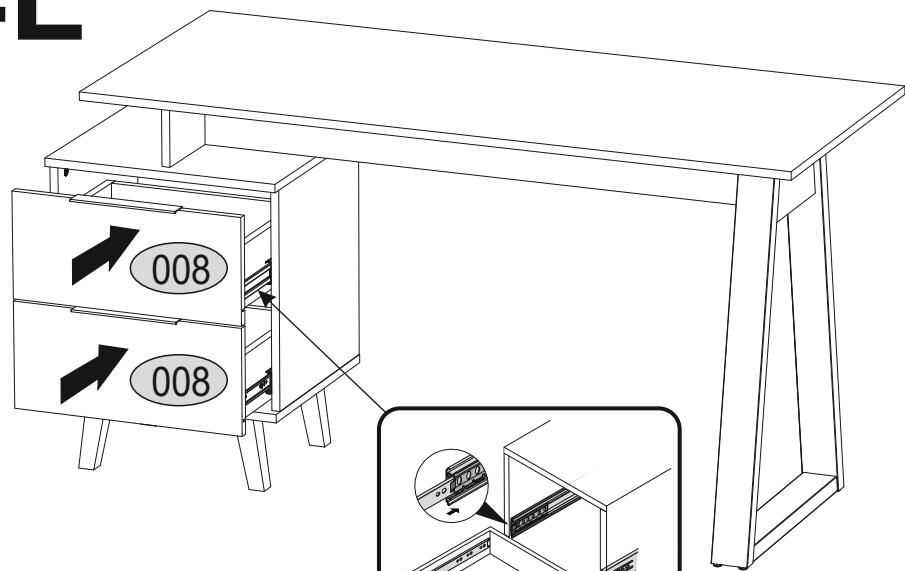
3L



3R



4L



4R

