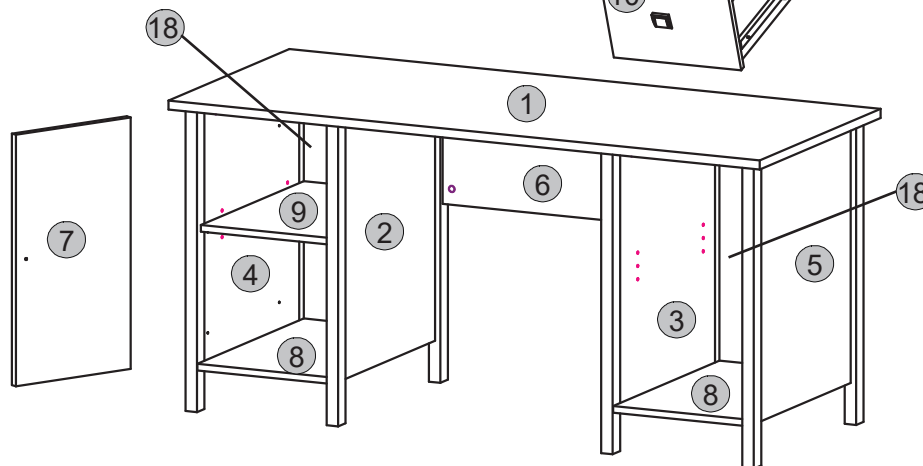
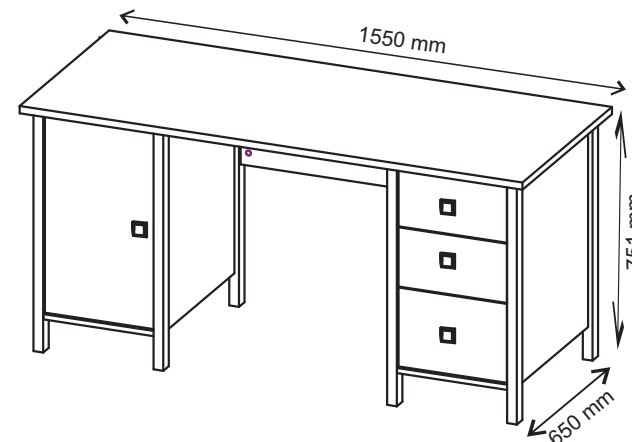
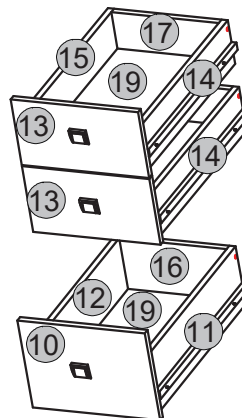
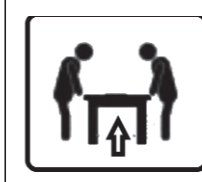
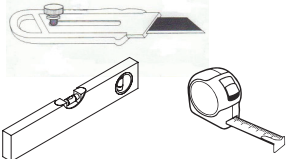
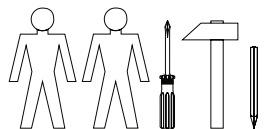


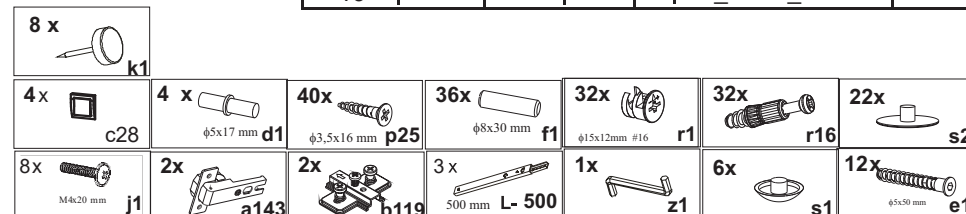
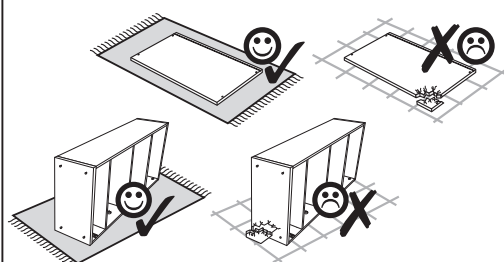
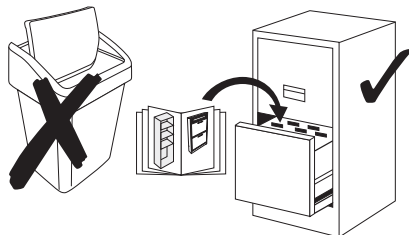


# Instalation manual

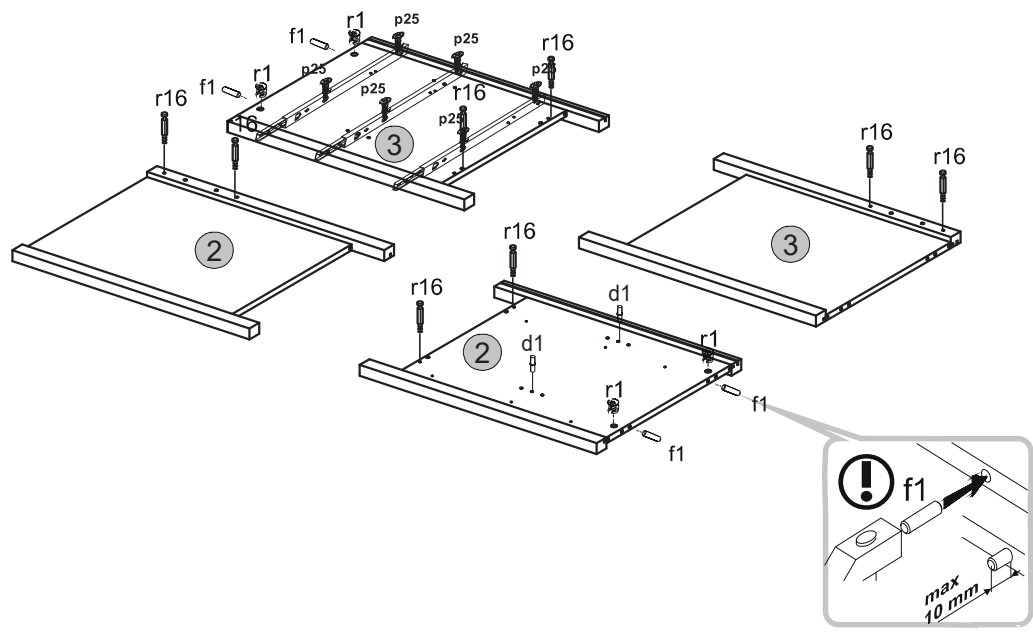
Morocco BIU\_1D3S



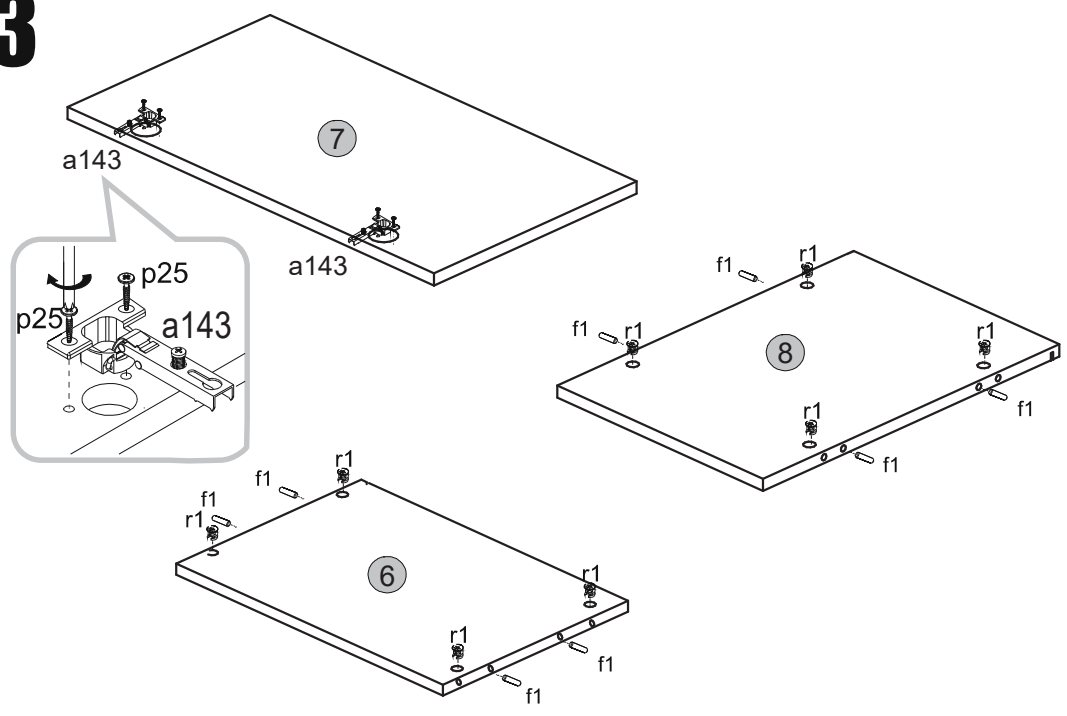
Element symbol	Dimensions				Code	Package
1	1550	650	22	1	BIU_1D3S_155.001	2/2
2	729	590	16/30	1	BIU_1D3S_155.002	1/2
3	729	590	16/30	1	BIU_1D3S_155.003	1/2
4	729	590	16/30	1	BIU_1D3S_155.004	1/2
5	729	590	16/30	1	BIU_1D3S_155.005	1/2
6	300	690	16	1	BIU_1D3S_155.006	2/2
7	606	335	16	1	BIU_1D3S_155.007	2/2
8	340	586	16	2	BIU_1D3S_155.008	2/2
9	339	550	16	1	BIU_1D3S_155.009	2/2
10	334	240	16	1	BIU_1D3S_155.010	2/2
11	500	160	16	1	BIU_1D1S_120.011	2/2
12	500	160	16	1	BIU_1D3S_155.012	2/2
13	334	180	16	2	BIU_1D3S_155.013	2/2
14	500	120	16	2	BIU_1D3S_155.014	2/2
15	500	120	16	2	BIU_1D3S_155.015	2/2
16	282	160	16	1	BIU_1D3S_155.016	2/2
17	282	120	16	2	BIU_1D3S_155.017	2/2
18	632	359	3	2	BIU_1D3S_155.024	2/2
19	300	502	3	3	BIU_1D3S_155.025	2/2



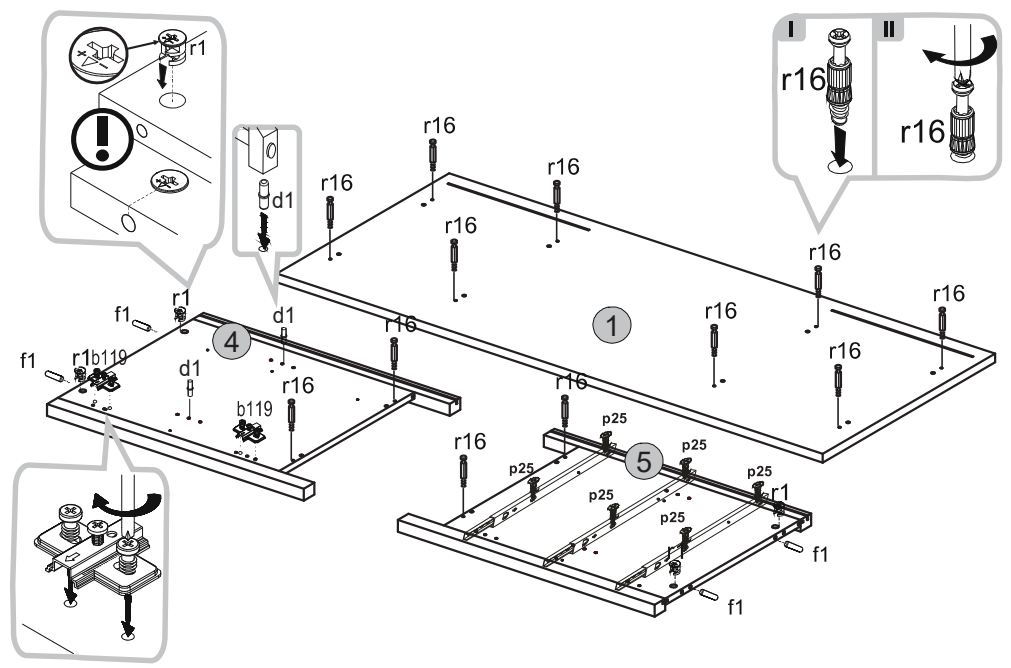
# 1



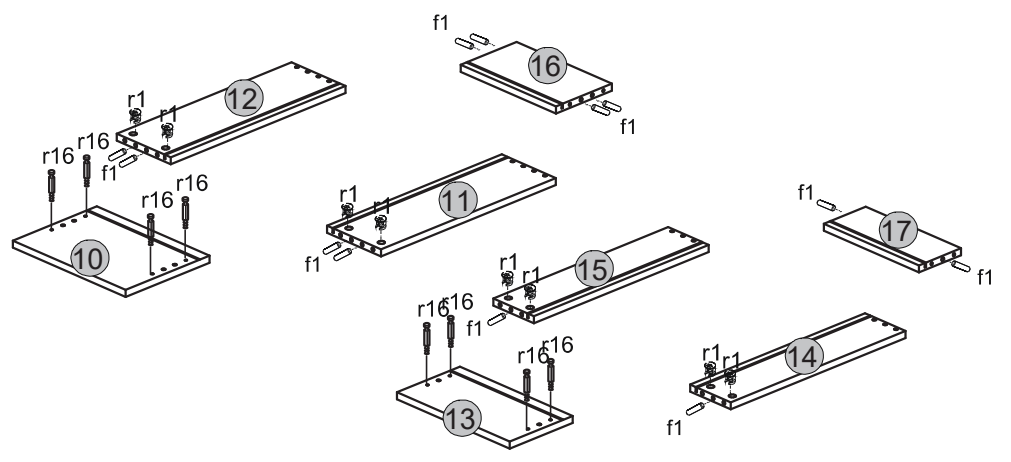
# 3



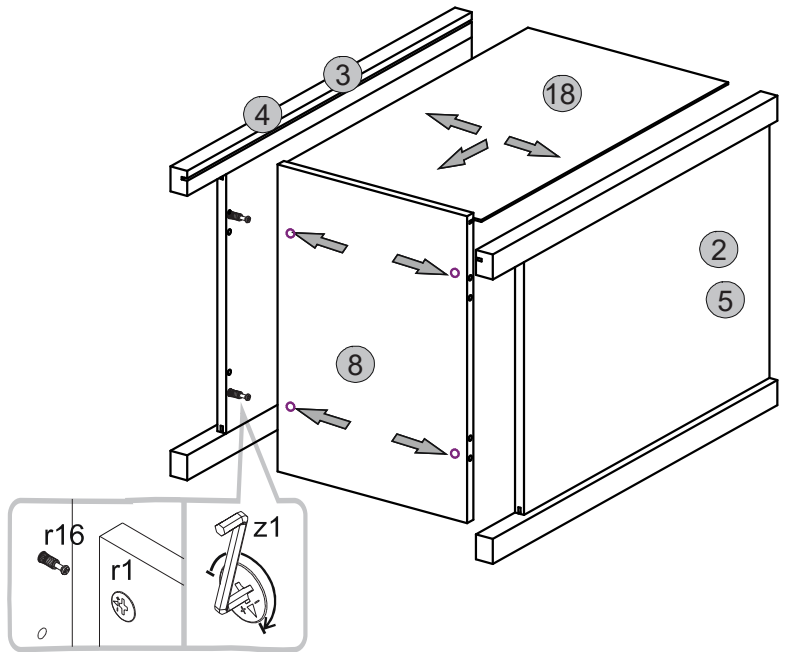
# 2



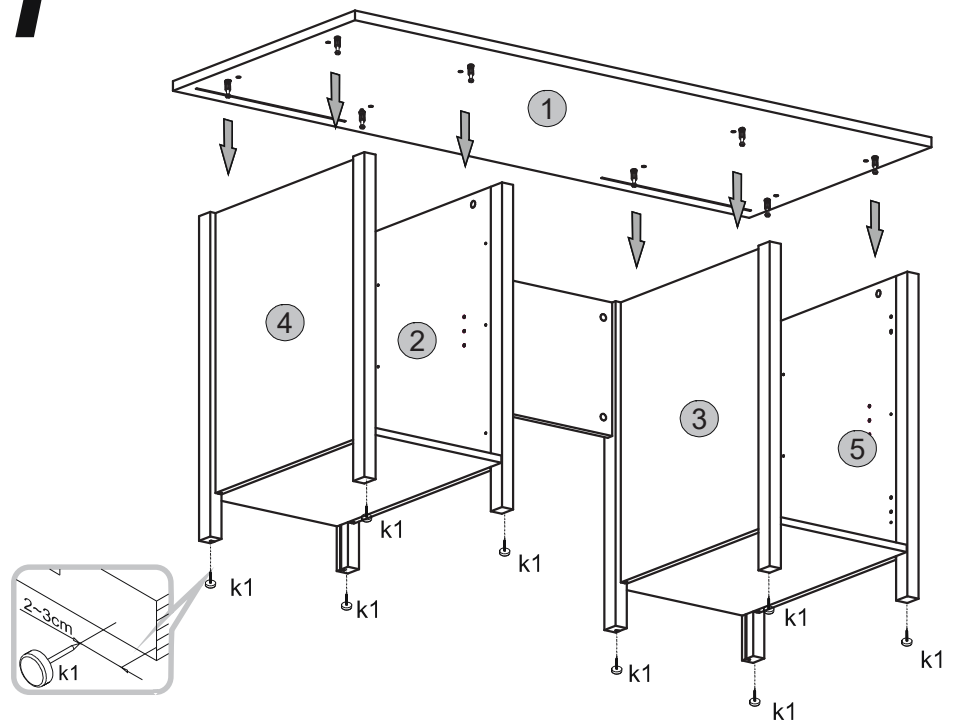
# 4



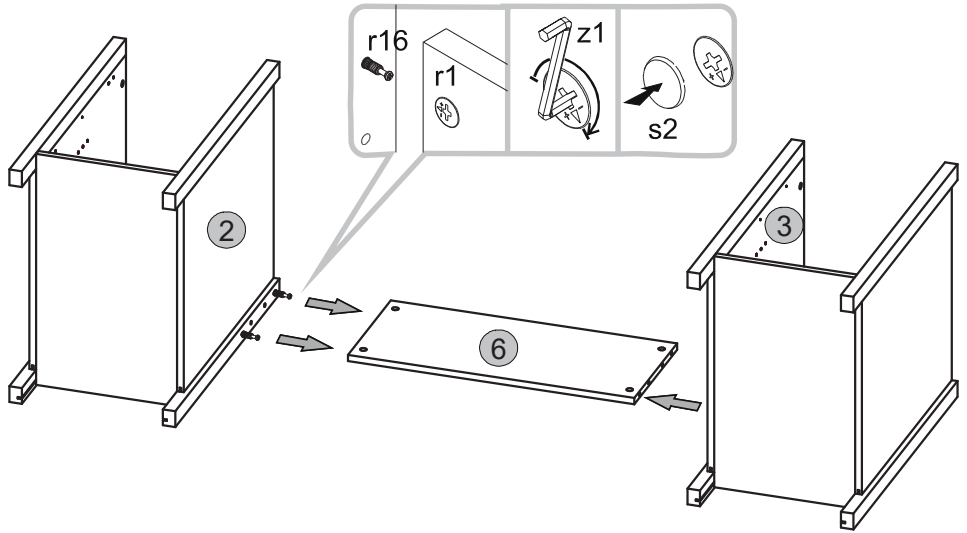
# 5



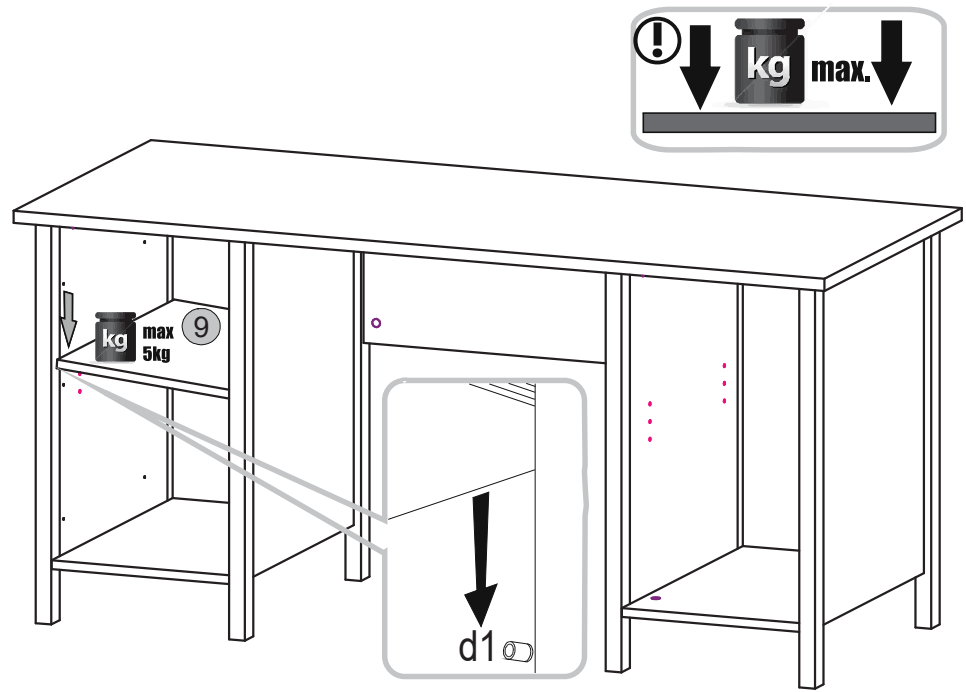
# 7



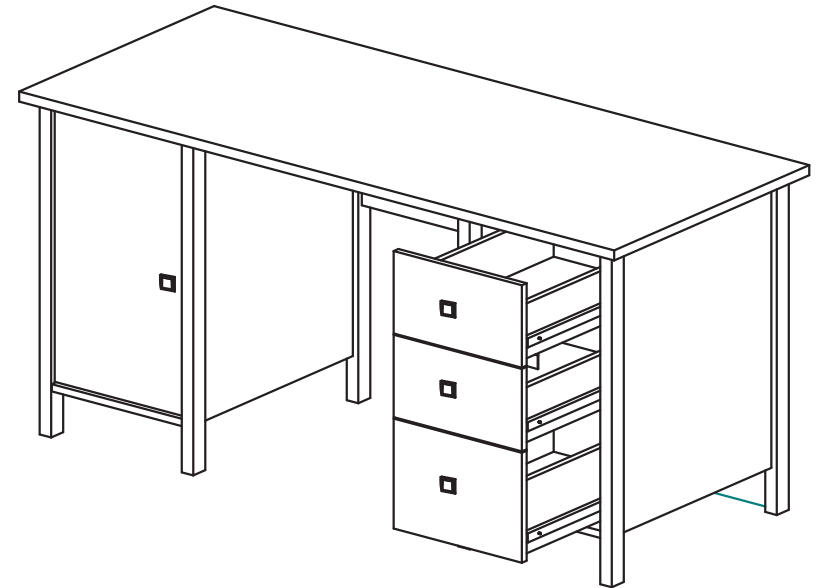
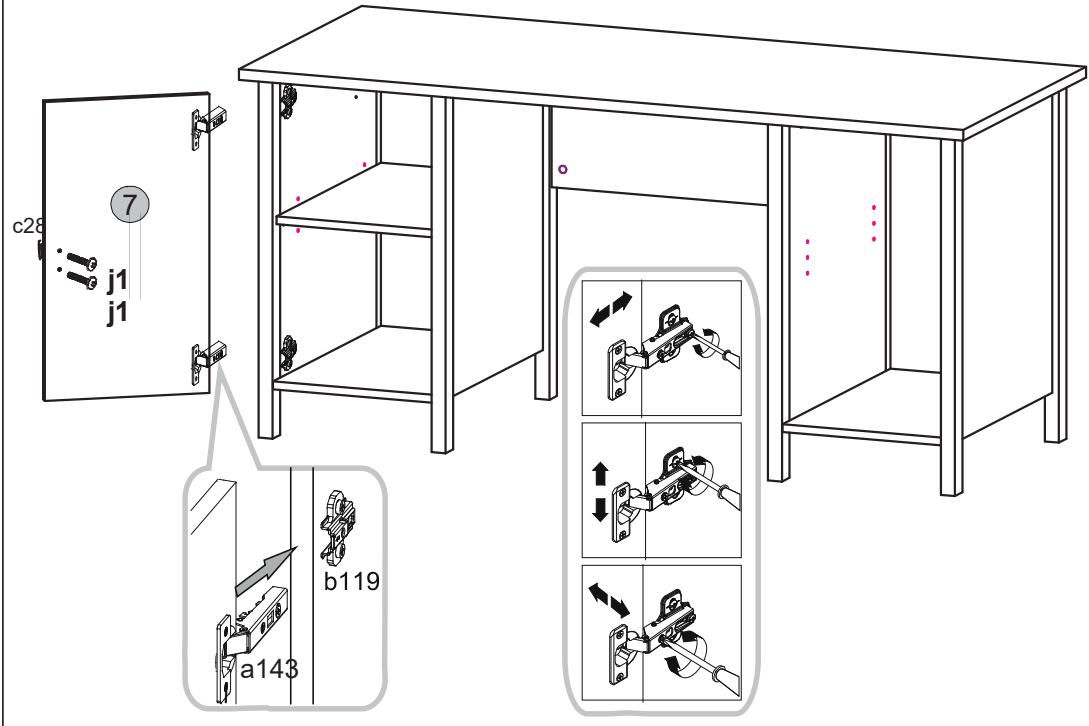
# 6



# 8



# 9



# 10

