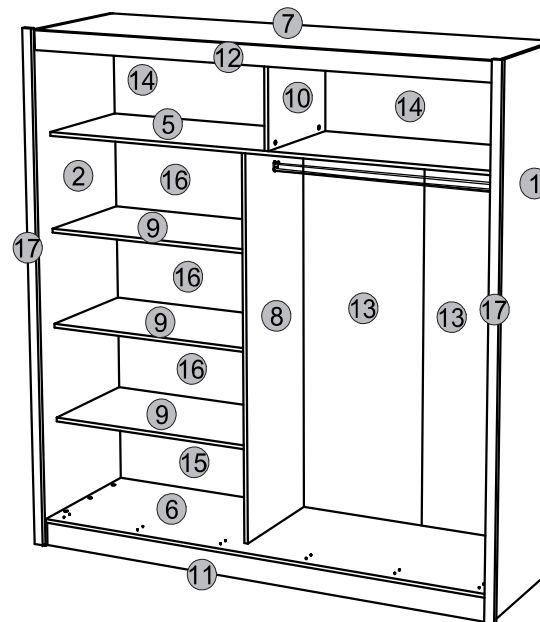
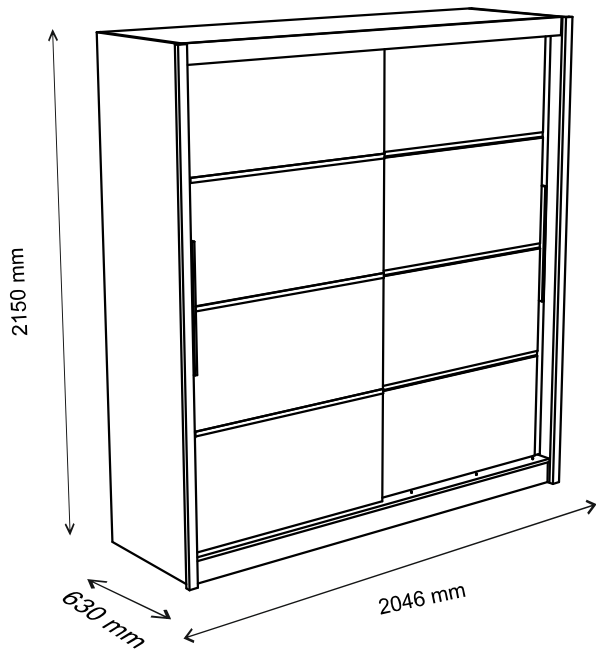
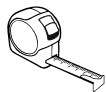
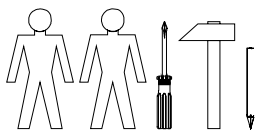


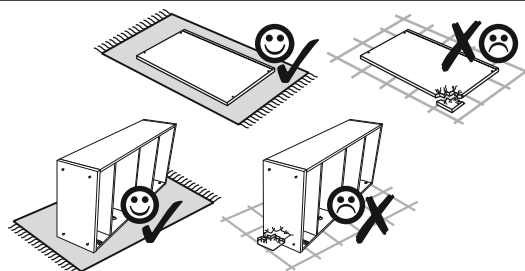
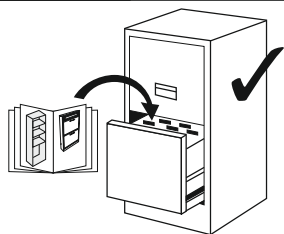


# ΟΔΗΓΙΕΣ ΑΡΜΟΛΟΓΗΣΗΣ

## ILONA 2



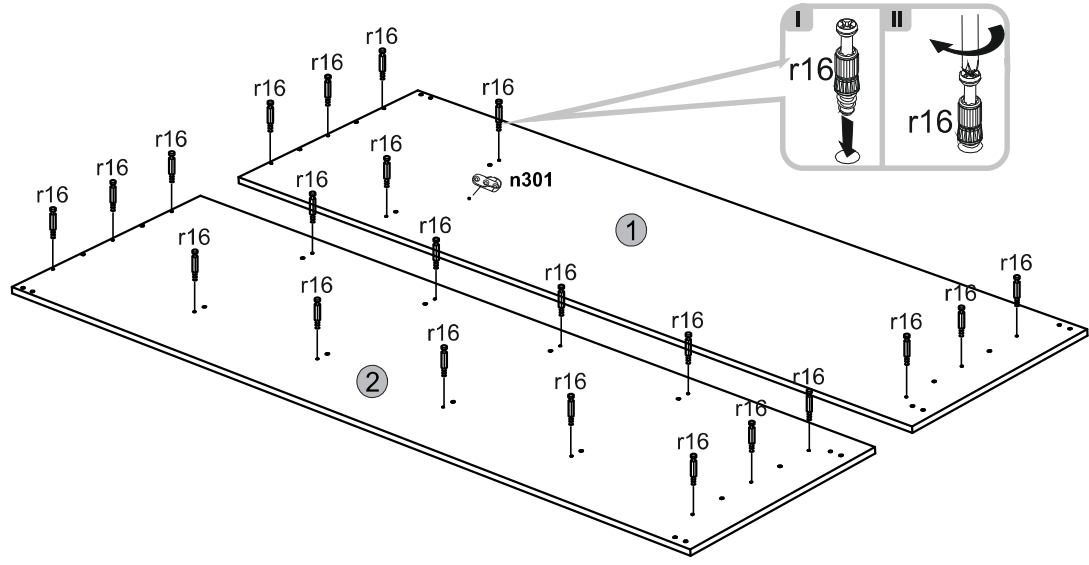
						ΠΑΚΕΤΟ
1	2150	610	16	1	M-101	1/1
2	2150	610	16	1	M-102	1/1
3	2004	988	16	1	M-003	4/4
4	2004	988	16	1	M-004	4/4
5	1966	505	16	1	M-301	2/2
6	1966	605	16	1	M-302	2/2
7	1966	589	16	1	M-303	2/2
8	1592	505	16	1	M-103	1/1
9	875	505	16	3	M-304	3/3
10	410	505	16	1	M-104	1/1
11	1966	100	16	2	M-401	2/2
12	1966	80	16	1	M-402	2/2
13	1616	548	3	2	M-601	4/4
14	431	996	3	2	M-602	1/1
15	416	896	3	1	M-603	4/4
16	400	896	3	3	M-604	1/1, 4/4
17	2150	40	22	2	M-403	1/1



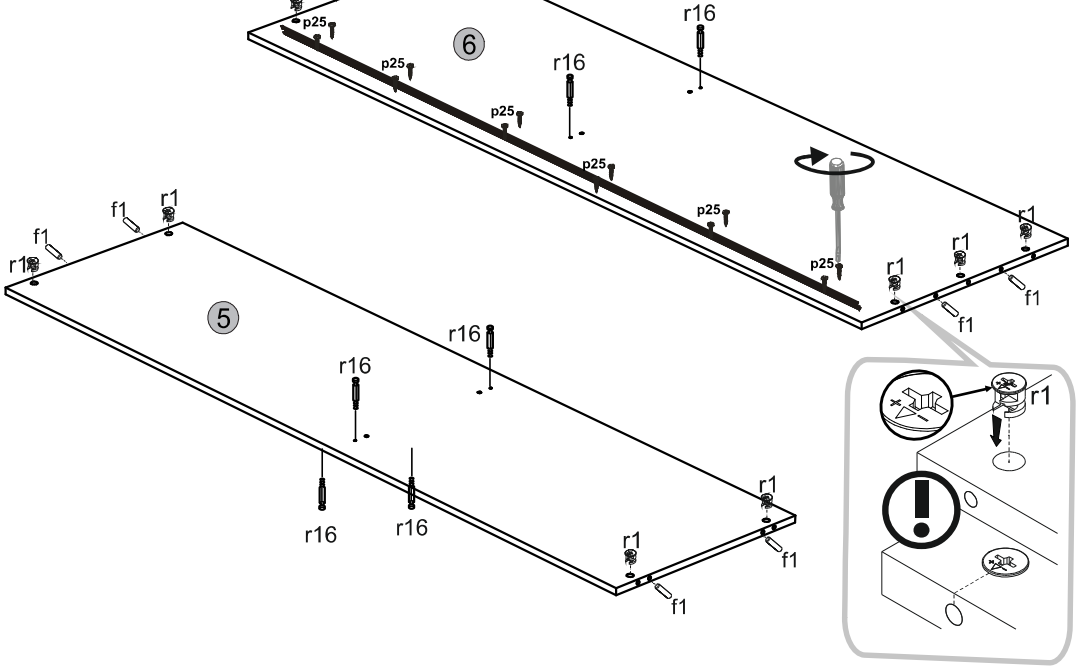
52x φ3,5x16 mm p25	1x y1	80x l1	1x z1	4x	16x 46x184 mm f11	20x n260.01.007 n260	20x φ3x16 mm p52	2x n301
2x φ10 mm f3	2x φ5x60 mm p17	6x k1	50x φ8x30 mm f1	38x φ15x12mm #16 r16	38x s2	38x r1	2x n14	



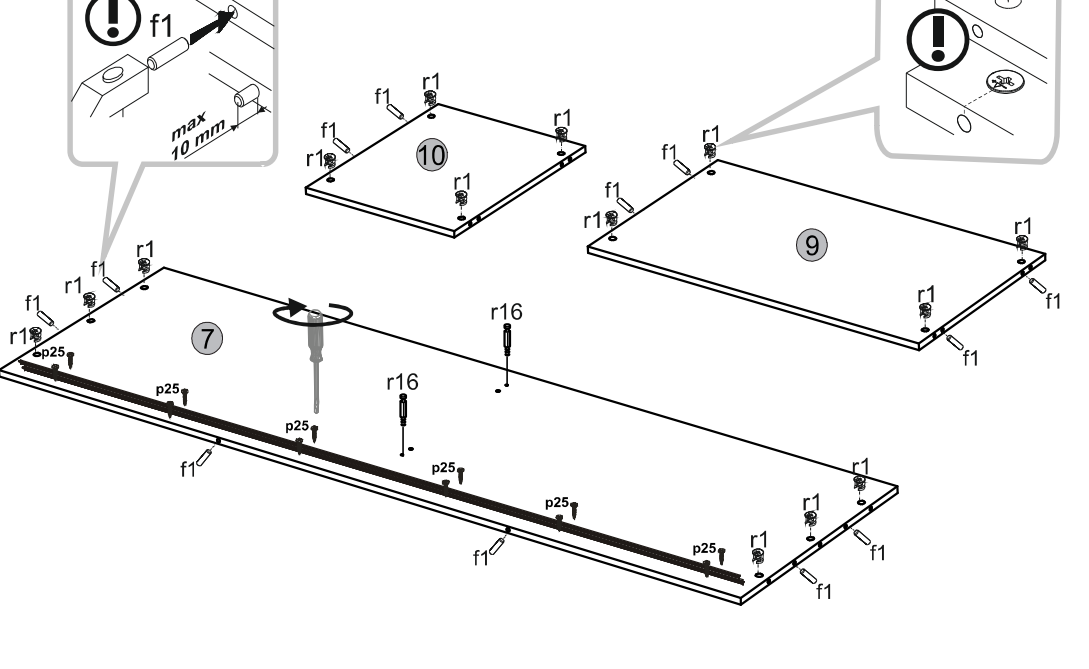
# 1



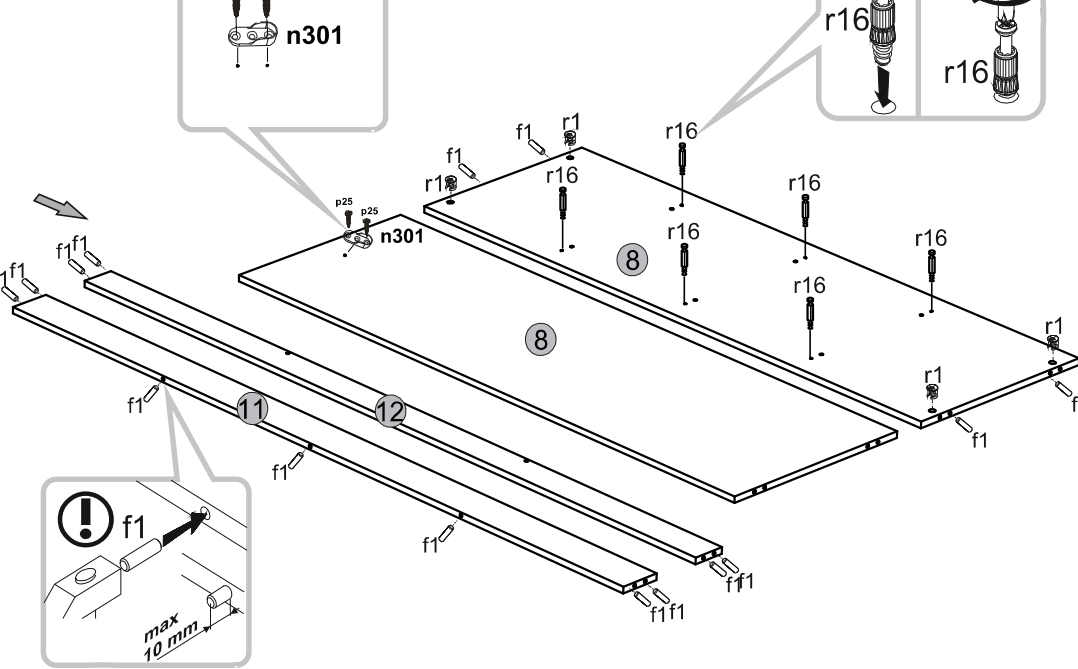
# 3

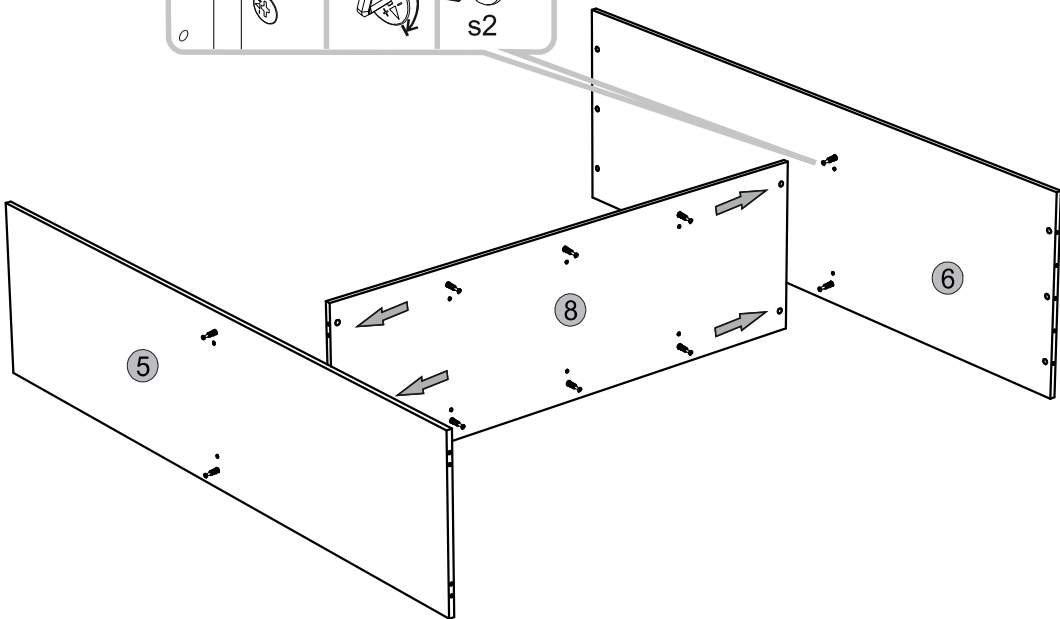
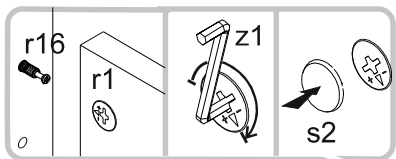
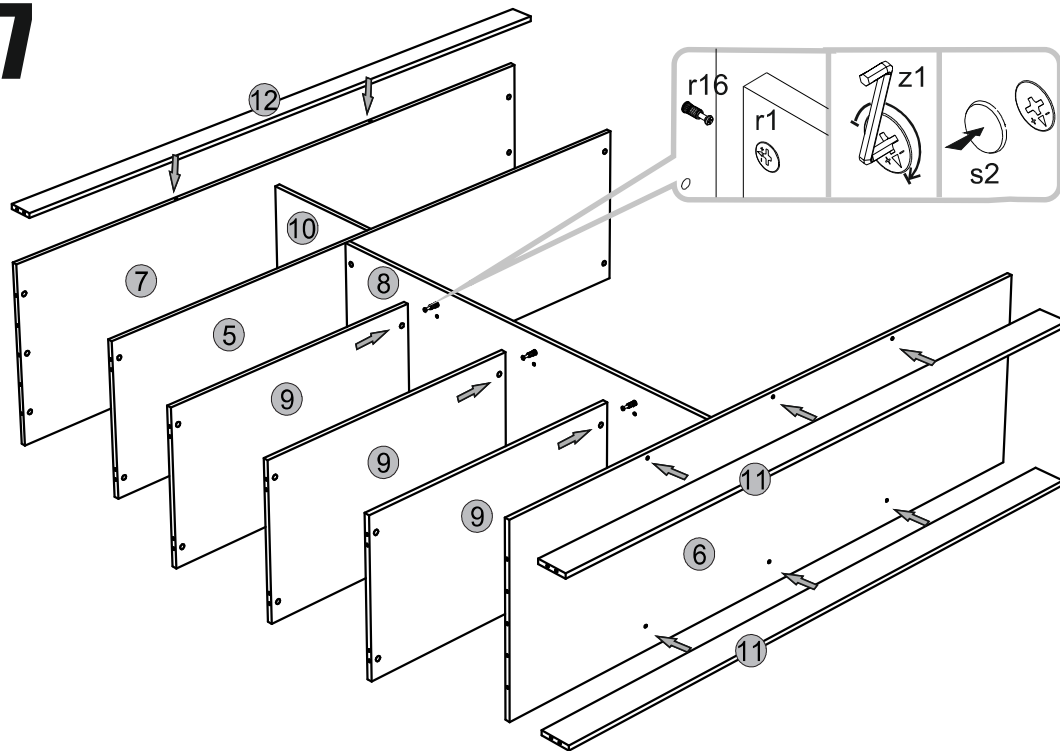
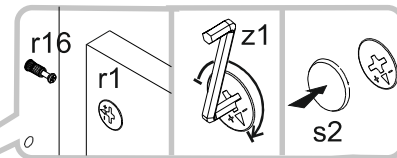
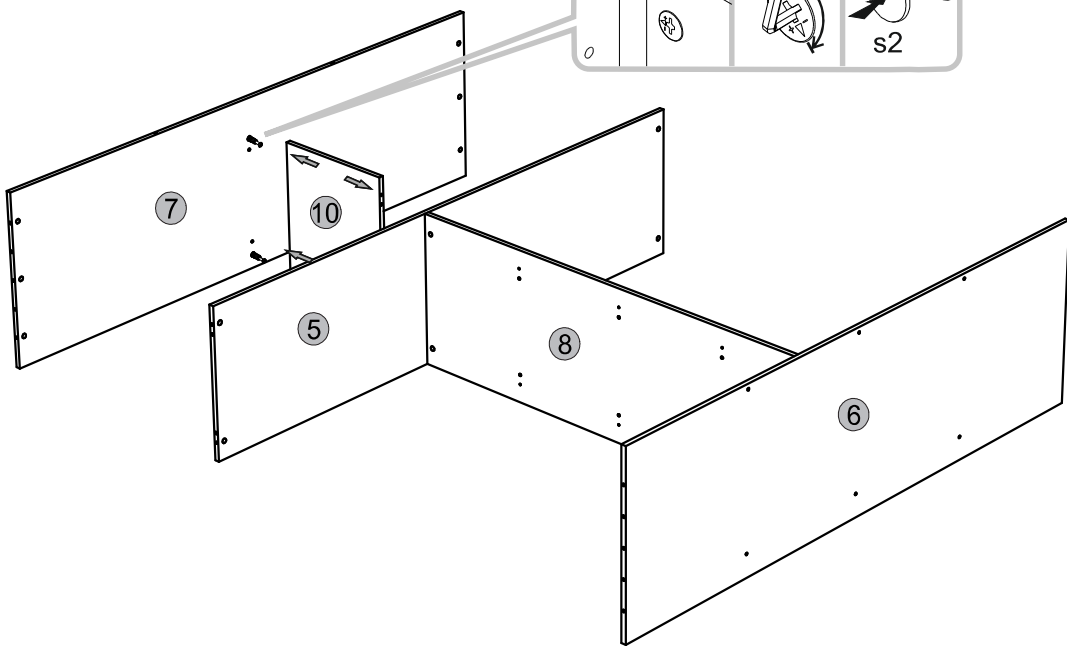
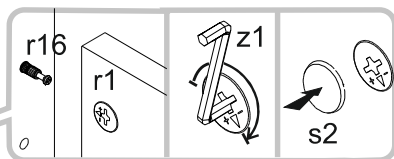
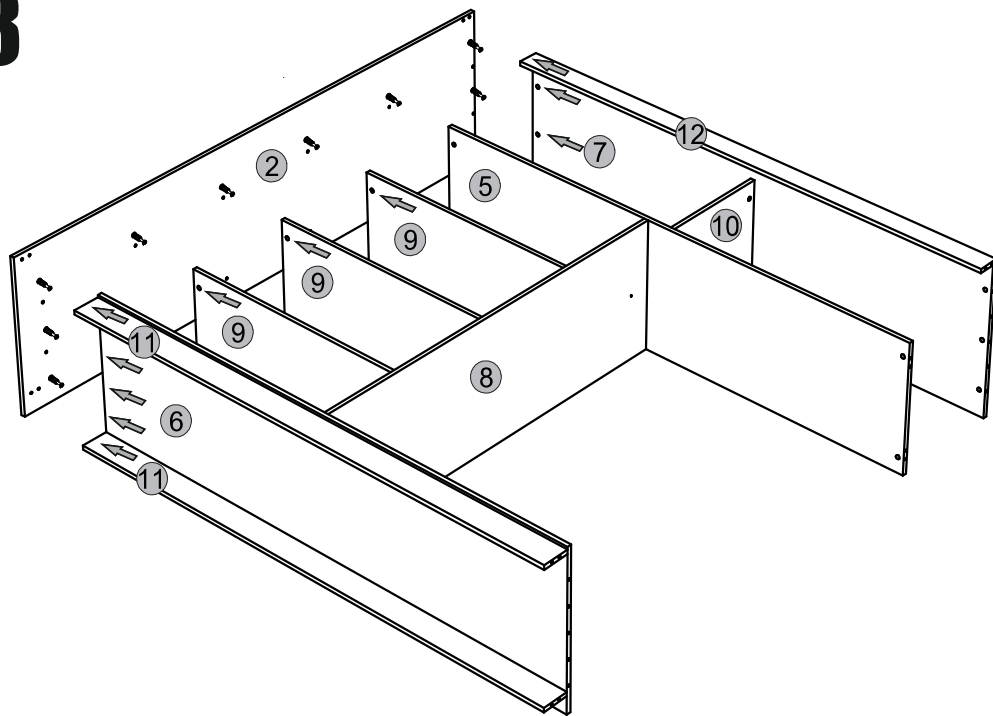


# 2

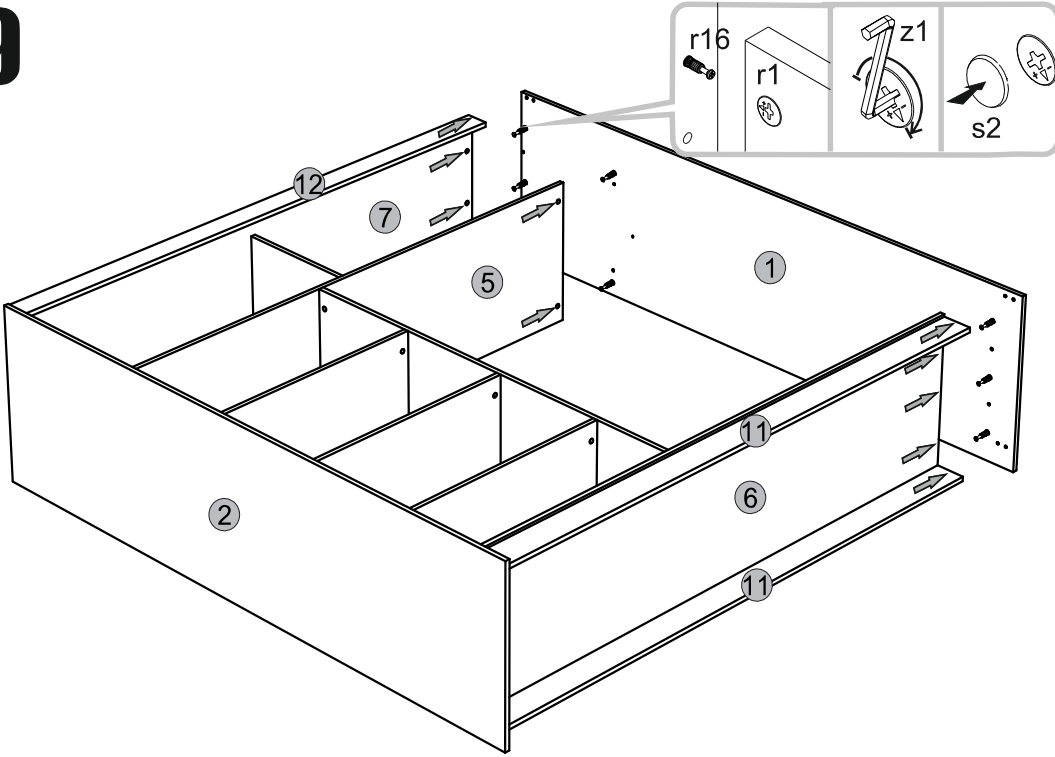


# 4

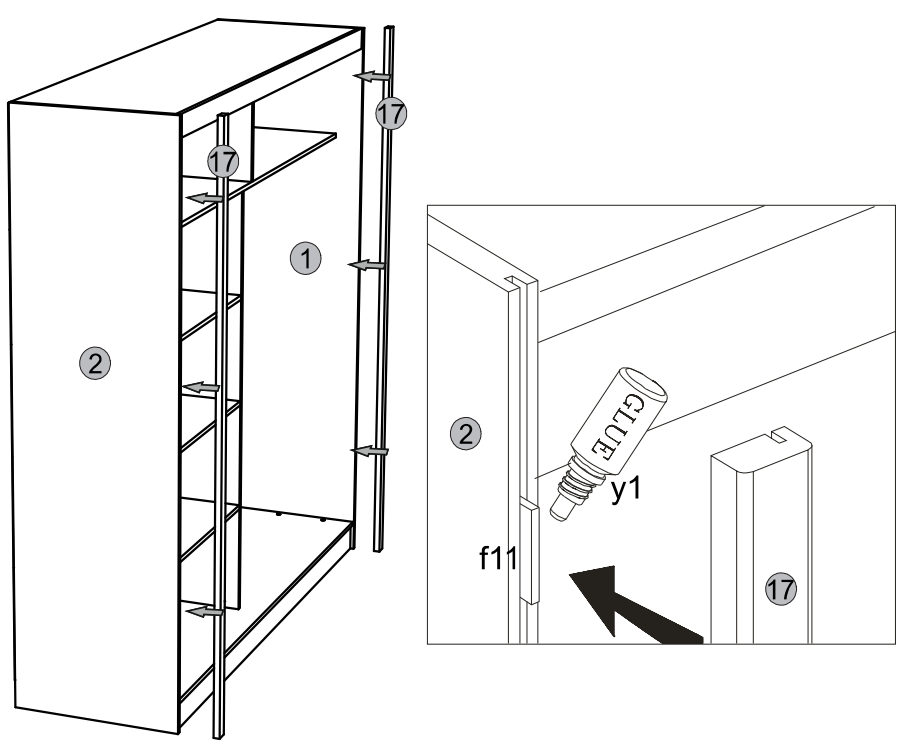


**5****7****6****8**

# 9



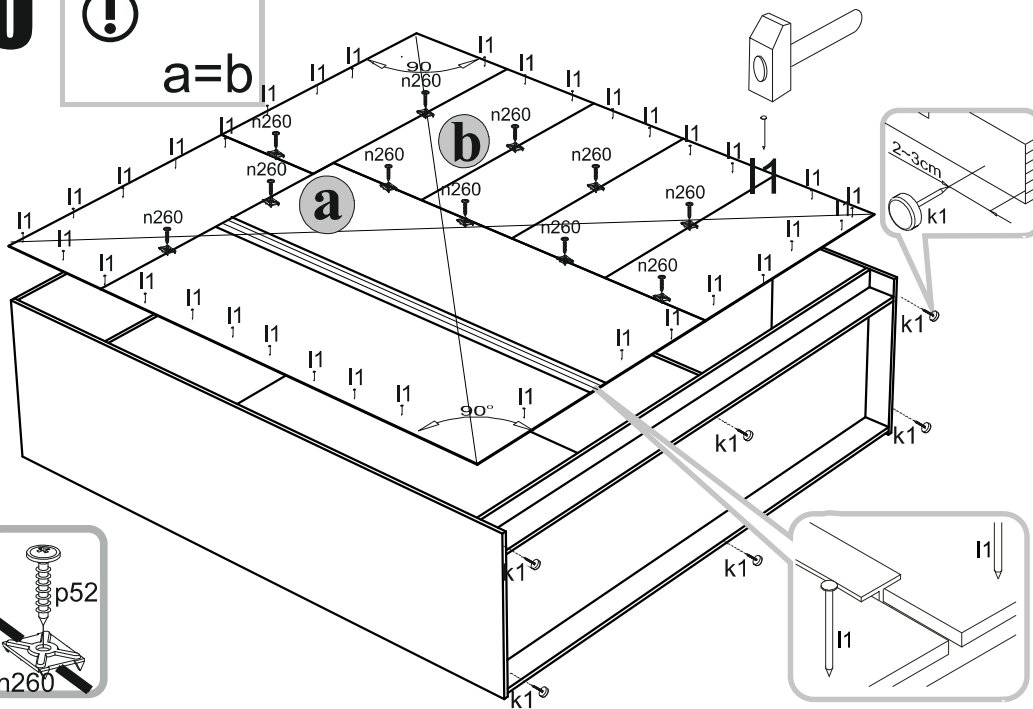
# 11



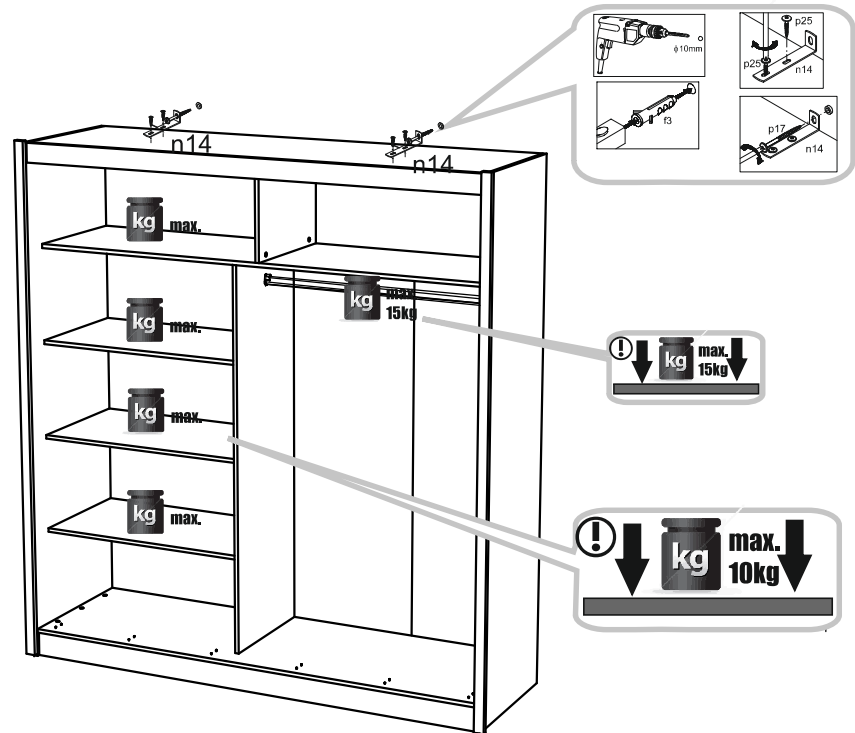
# 10



a=b



# 12



# 13

