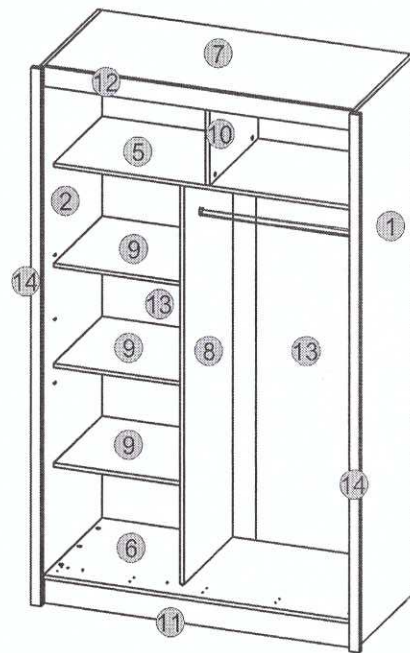
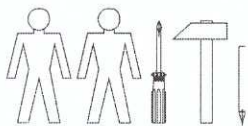
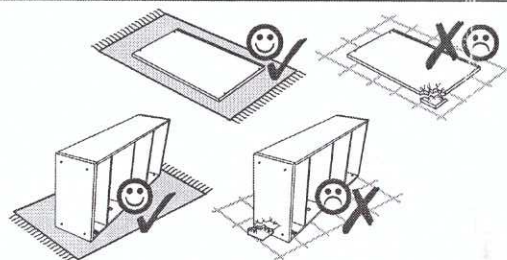
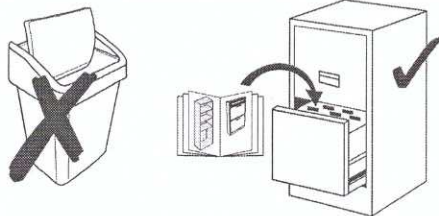


# Instalation manual

## ILONA 2\_130



Element symbol	Dimensions					Code	Package
1	2150	610	16	1		ILONA_2_130.012	
2	2150	610	16	1		ILONA_2_130.013	
3	615	2004	16	1		ILONA_2_130.002	
4	615	2004	16	1		ILONA_2_130.003	
5	1220	502	16	1		ILONA_2_130.006	
6	1220	605	16	1		ILONA_2_130.004	
7	1220	589	16	1		ILONA_2_130.005	
8	1592	502	16	1		ILONA_2_130.007	
9	502	502	16	3		ILONA_2_130.008	
10	410	502	16	1		ILONA_2_130.009	
11	1220	100	16	2		ILONA_2_130.010	
12	1220	80	16	1		ILONA_2_130.011	
13	2044	623	3	2		ILONA_2_130.001	
14	2150	40	22	2		ILONA_2_130.015	



4x

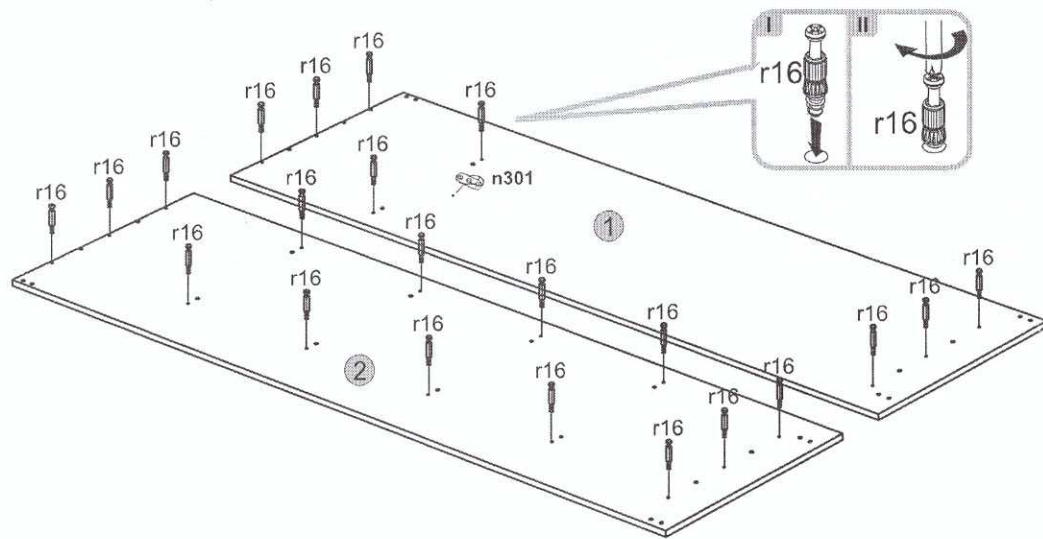
52x  $\phi 3.5 \times 16$  mm p25    1x y1

80x  $\phi 10$  mm f3    1x z1

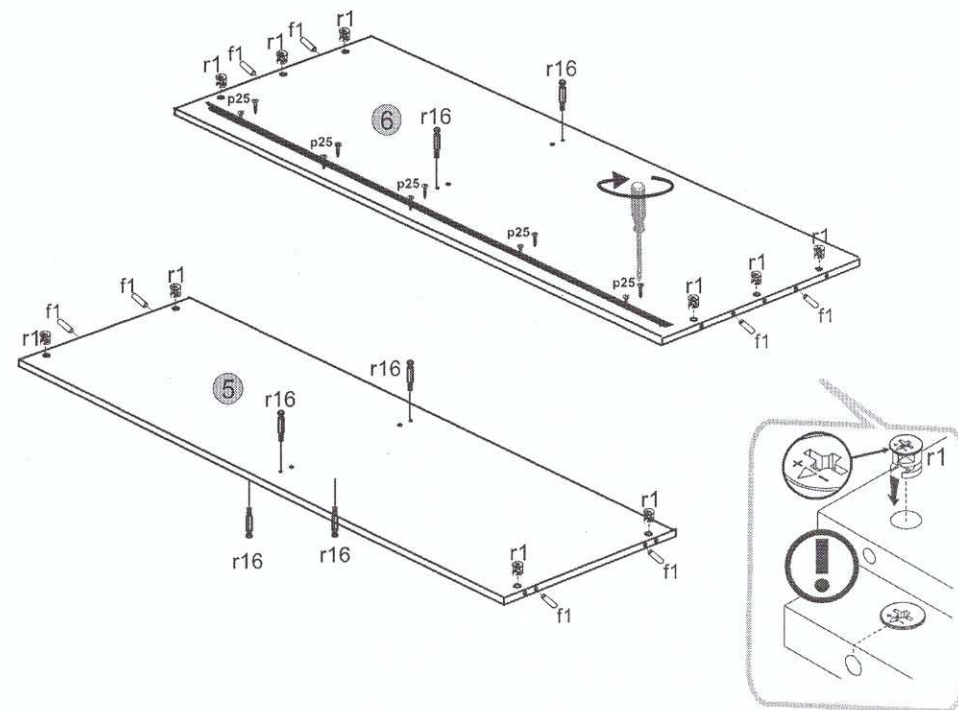
2x  $\phi 5 \times 60$  mm p17    2x f3    6x k1    16x  $16 \times 184$  mm f11    2x n260.01.007 n260    2x  $\phi 3 \times 16$  mm p52    2x n301

2x c245    6x  $\phi 4 \times 30$  mm p9    50x  $\phi 8 \times 30$  mm f1    38x  $\phi 15 \times 12$  mm #16 r16    38x s2    38x r1    2x n14

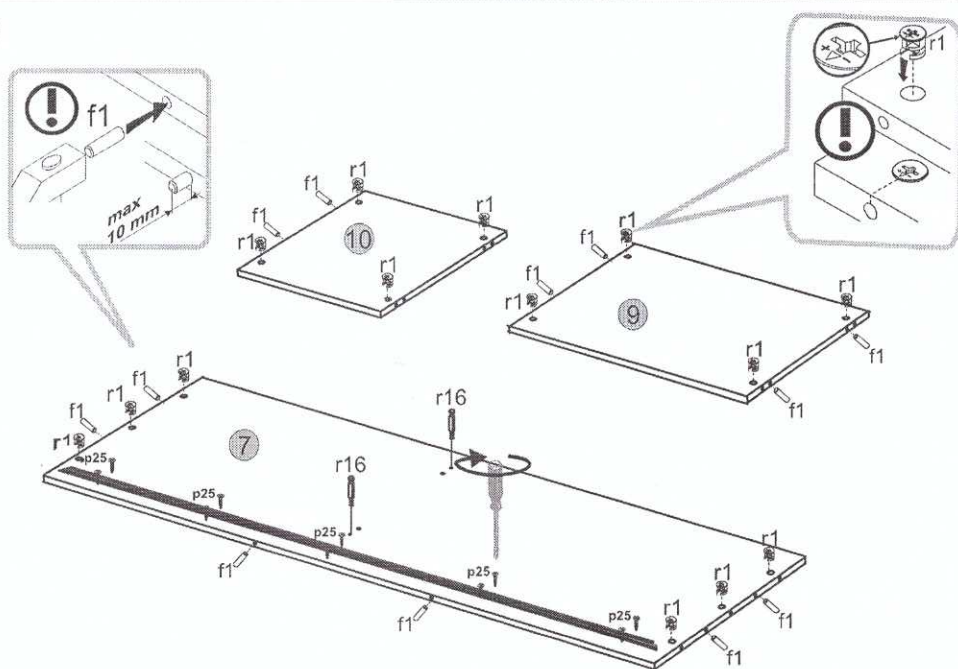
# 1



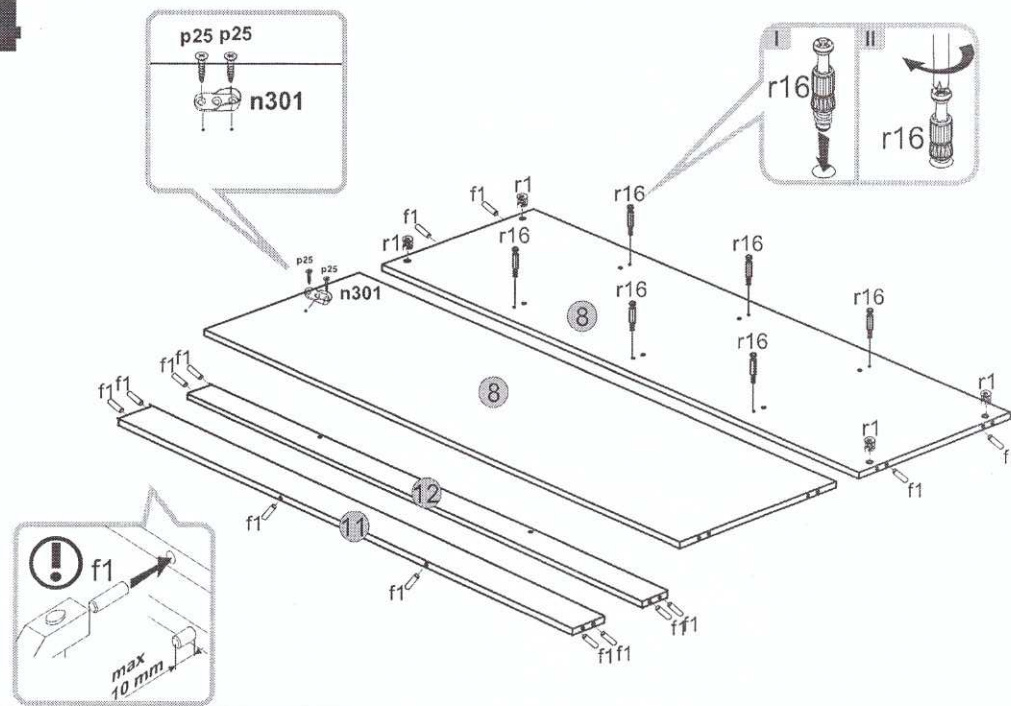
# 3

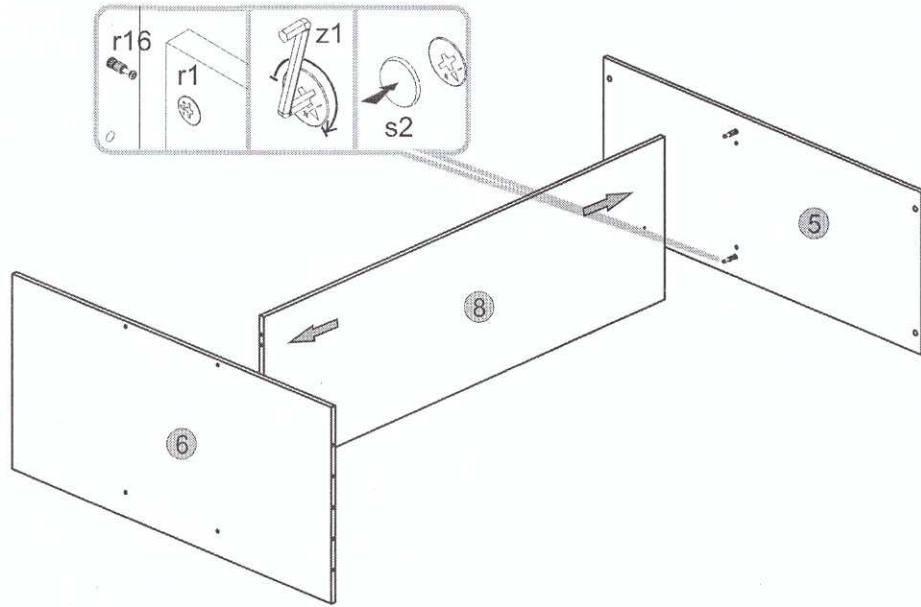
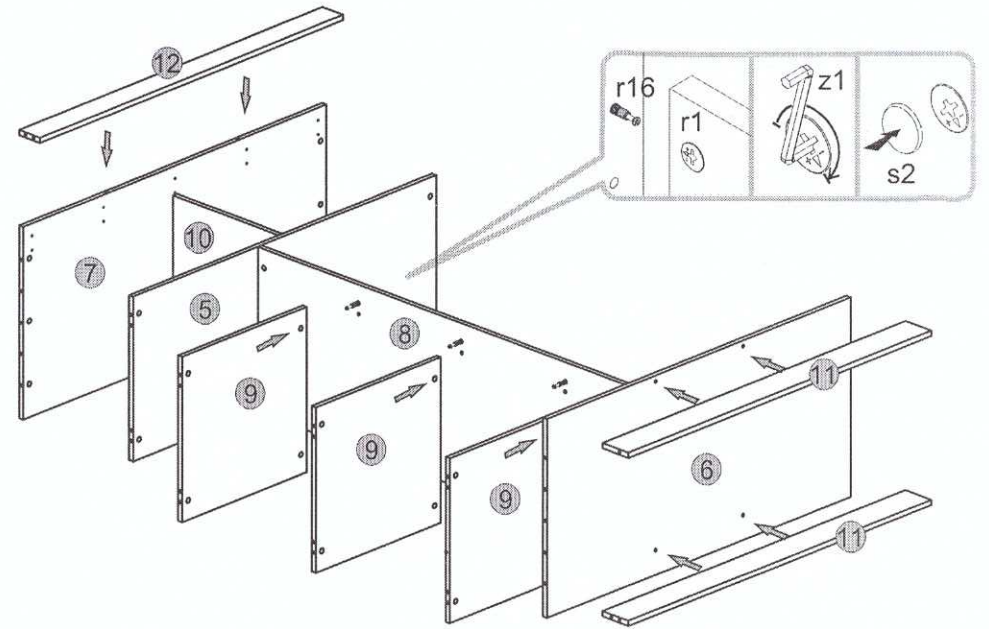
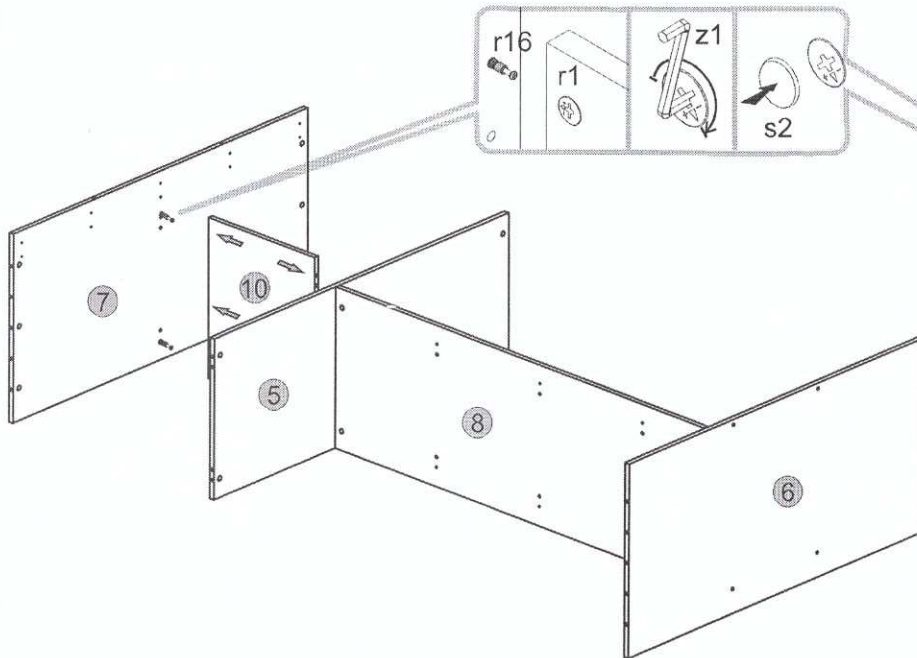
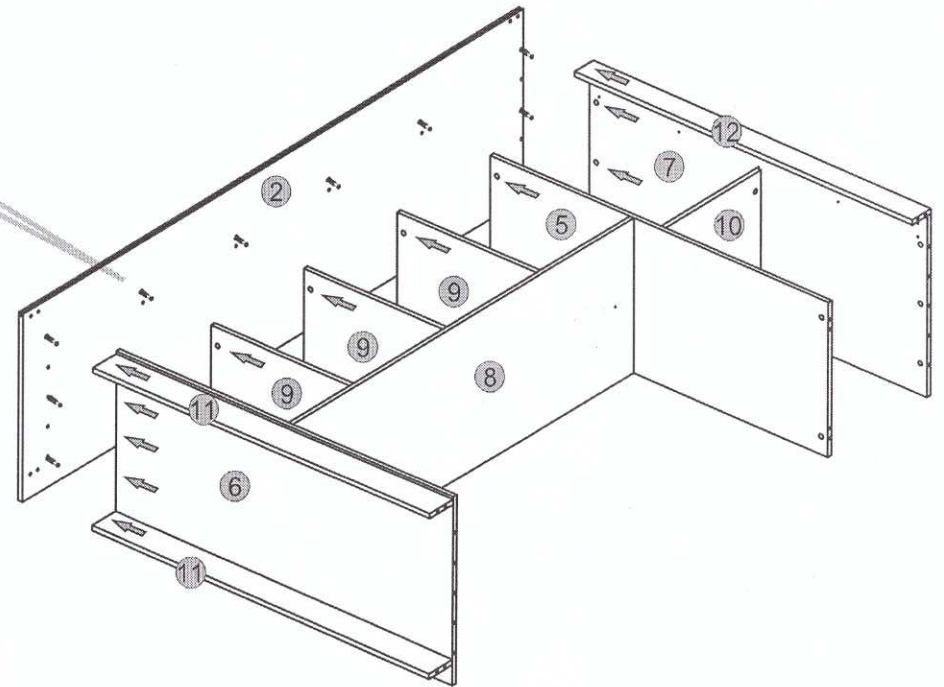


# 2

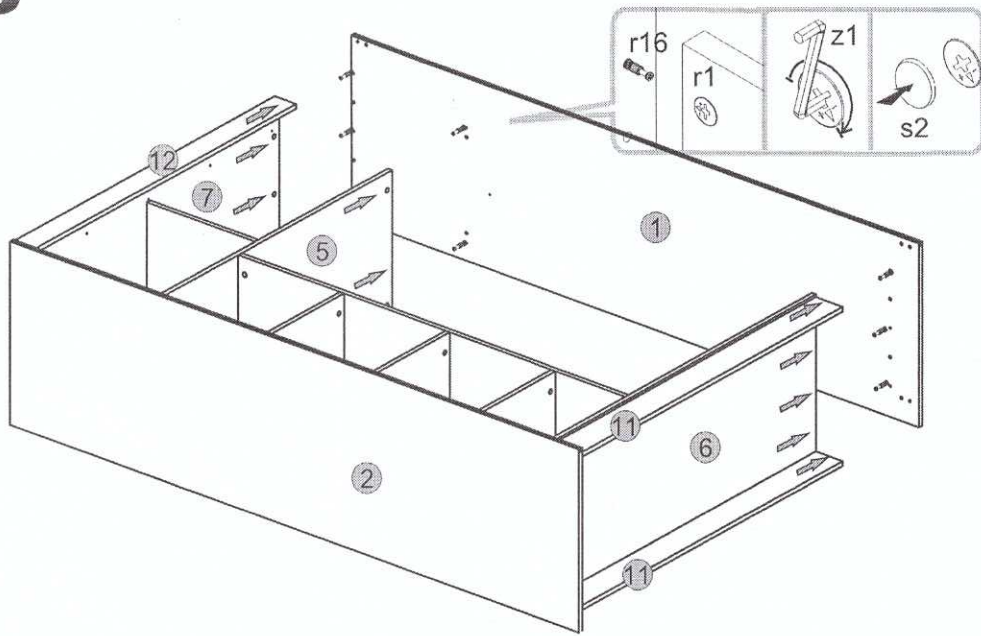


# 4

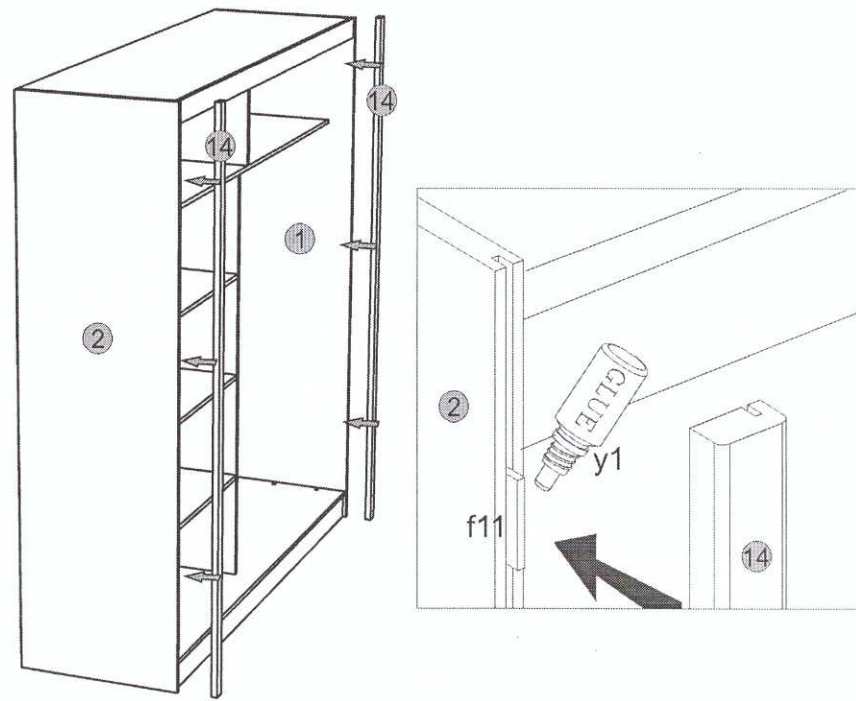


**5****7****6****8**

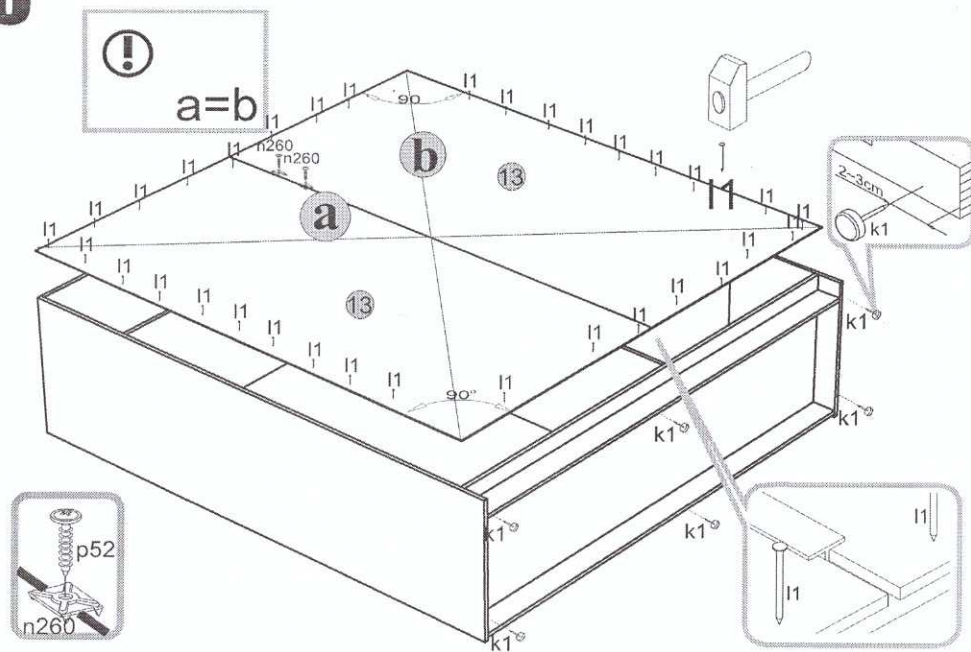
# 9



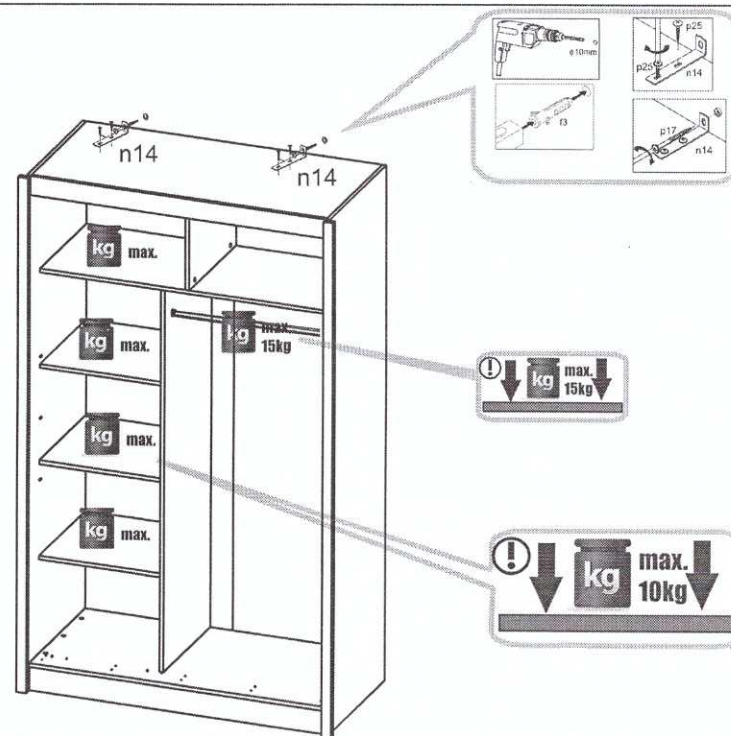
# 11



# 10



# 12



# 13

