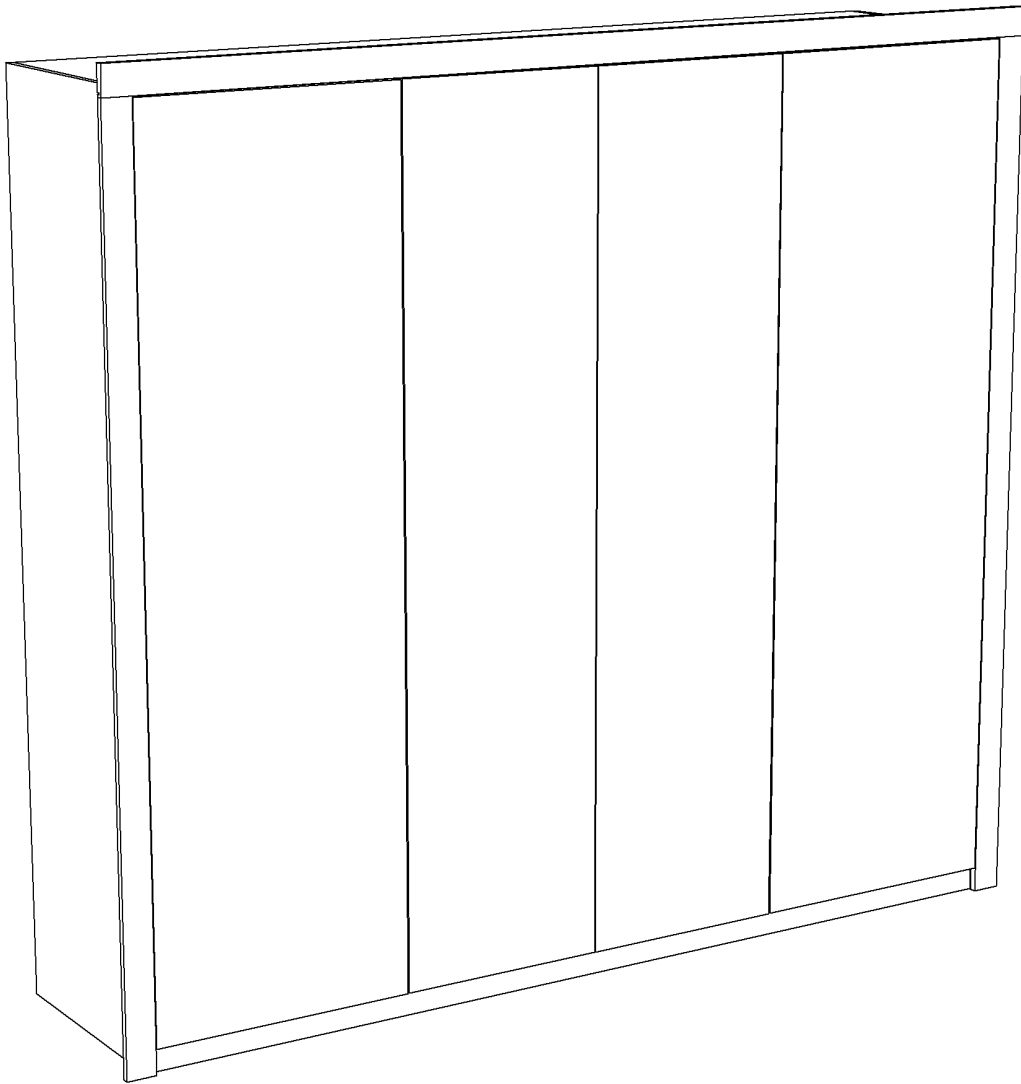
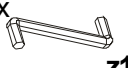

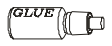

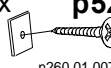





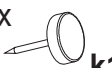
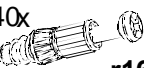



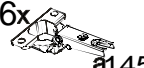


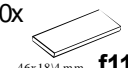
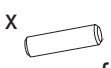


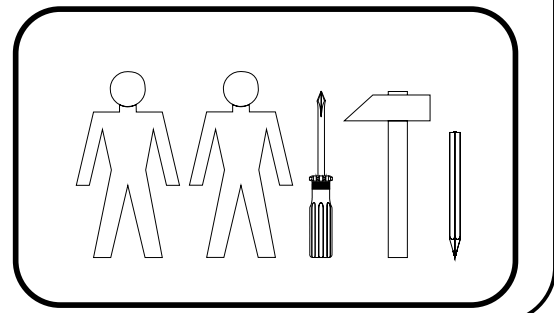
# Juliet

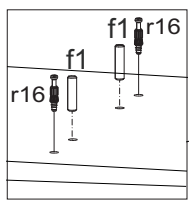
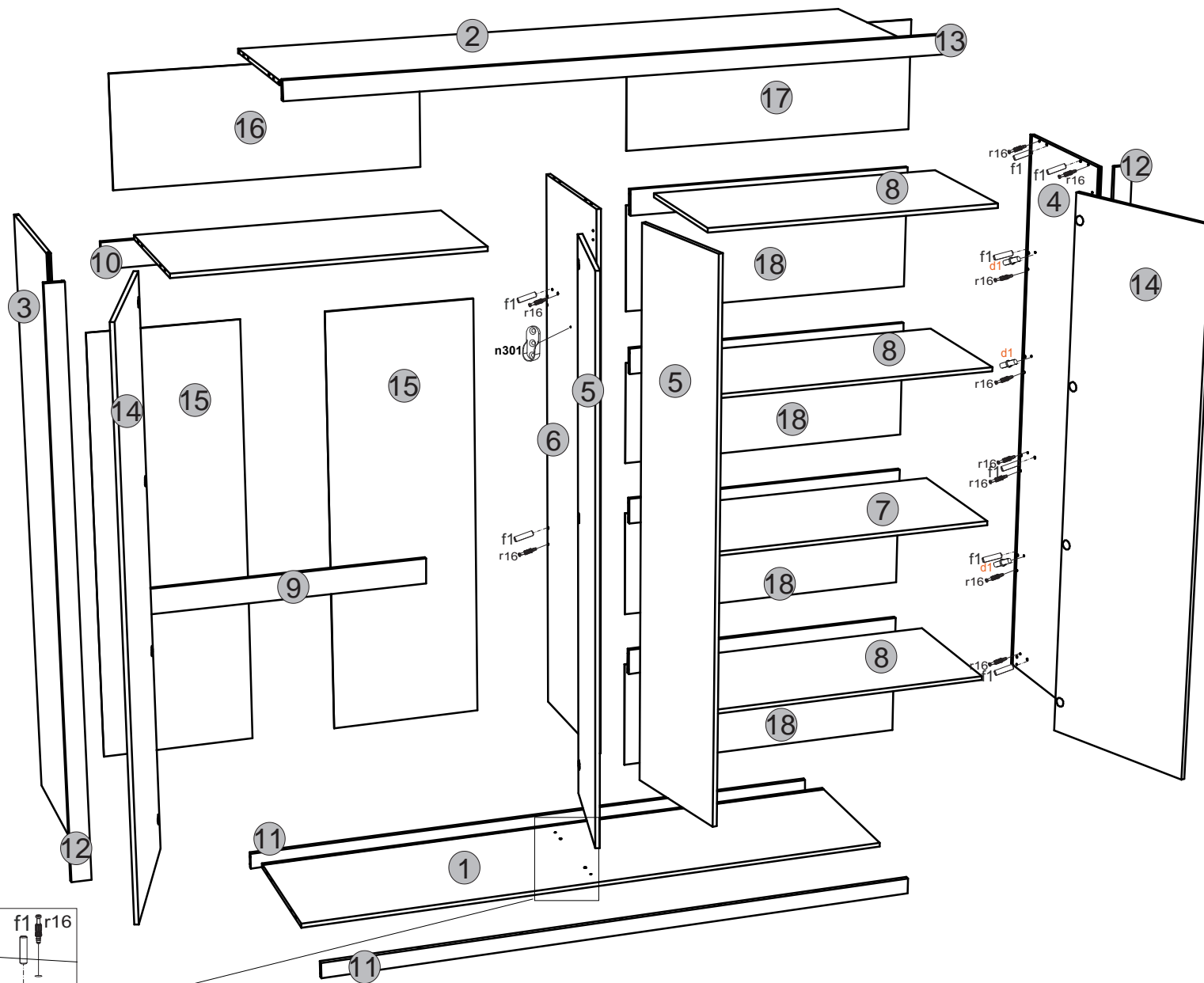
## Wardrobe 4D

220/241/59



1x  <b>z1</b>	40x  ø16 <b>s2</b>	1x  50g <b>GLUE</b>	n221.01  6x	20x  n260 01.007 <b>p52</b>
6x  ø3,5x13 mm <b>p1</b>	2x  <b>n17</b>	2x  <b>c245</b>	6x  ø4x30 mm <b>p9</b>	8x  <b>a143</b>
10x  <b>k1</b>	40x  <b>r16</b>	12x  ø5x17 mm <b>d1</b>	40x  ø15x12mm #16 <b>r1</b>	40x  ø3,5x16 mm <b>p25</b>
6x  <b>a145</b>	14x  <b>b119</b>	2x  <b>n301</b>	20x  46x18# mm <b>f11</b>	42x  f8x30 mm <b>f1</b>





Nº					
1	j-202	2270	574	16	1
2	j-203	2270	574	16	1
3	j-104	2142	574	16	1
4	j-105	2142	574	16	1
5	j-003	2063	498	16	2
6	j-106	2050	560	16	1
7	j-302	1127	560	16	2
8	j-303	1127	560	16	3
9	j-403	100	1127	16	5
10	j-404	100	1127	16	1
11	j-405	60	2270	16	2
12	j-406	2126	70	16	2
13	j-407	70	2408	16	1
14	j-004	2063	630	16	2
15	j-604	1644	571	3	2
16	j-605	424	1144	3	1
17	j-606	468	1144	3	1
18	j-607	400	1144	3	4