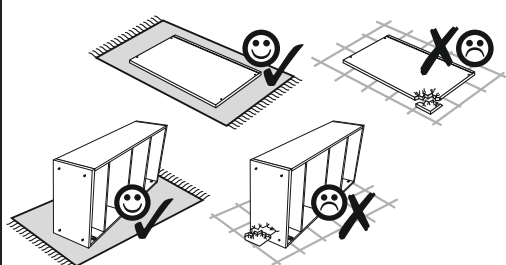
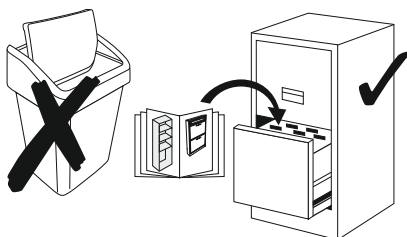
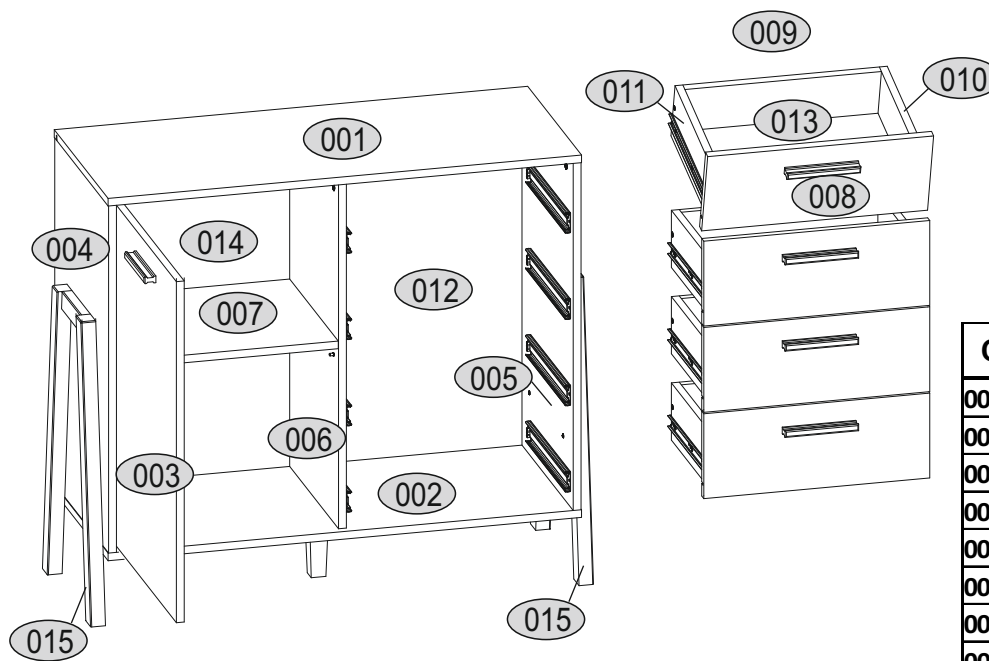
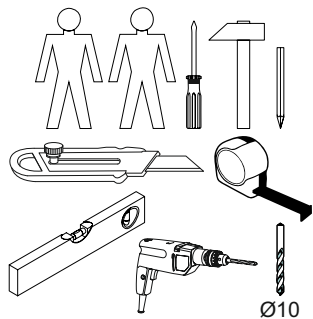
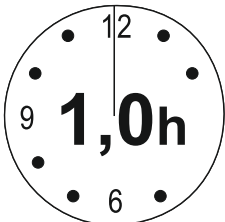
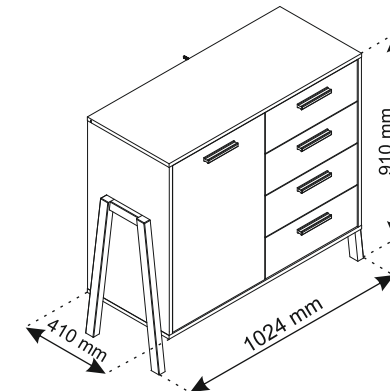










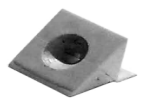




# Installation manual

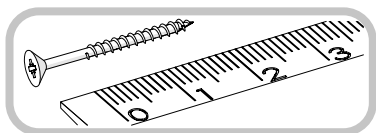
## Belle Chest 1D4S



Code	Dimensions			Package	
001	965	410	16	1	1/2
002	965	410	16	1	1/2
003	722	462	16	1	2/2
004	728	409	16	1	2/2
005	728	409	16	1	2/2
006	728	372	16	1	1/2
007	458	370	16	1	1/2
008	461	178	16	4	2/2
009	401	120	16	4	1/2
010	300	120	16	4	1/2
011	300	120	16	4	1/2
012	746	474	2,5	1	2/2
013	302	419	2,5	4	2/2
014	746	474	2,5	1	2/2
015	620	370	30	2	2/2
accessories				1	1/2

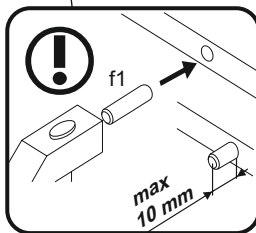
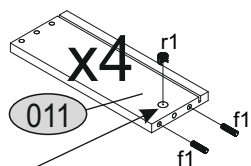
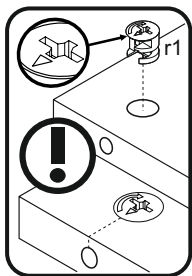
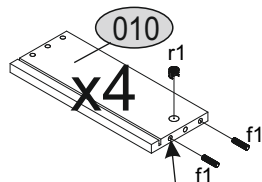
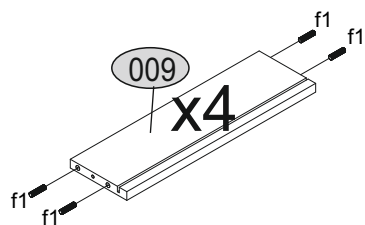
# Accessories:

<p>2x n260.01</p> 	<p>2x a311.04.002</p> 	<p>2x b219</p> 	<p>12x s2</p> 
<p>44x f1 Ø8x30</p> 	<p>5x c57</p> 	<p>1x n14 20x80</p> 	<p>1x p17 Ø6x50</p> 
<p>1x f3 Ø10x50</p> 	<p>15x e1 Ø7x50</p> 	<p>8x p10 Ø4x40</p> 	<p>14x r1 15x12</p> 
<p>6x l2</p> 	<p>14x r16 Ø5x24</p> 	<p>10x p9 Ø4x30</p> 	<p>62x p25 Ø3.5x16</p> 
<p>4x d1 Ø5x16</p> 	<p>1x z1</p> 	<p>4x lb L-300</p> 	<p>1x k87</p> 



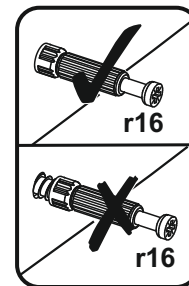
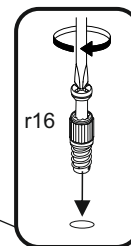
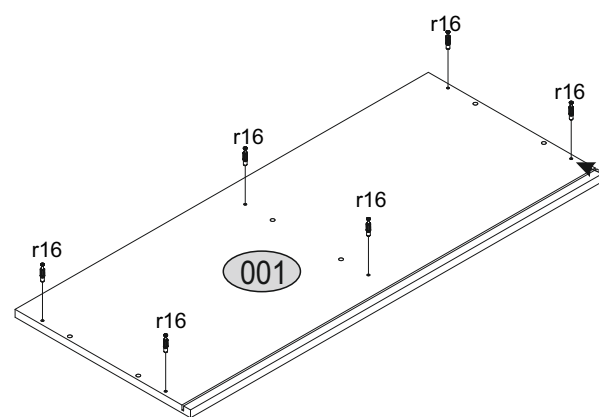
**1**

f1	r1
x32	x8



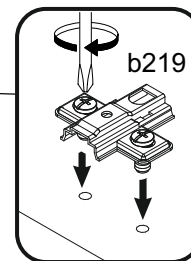
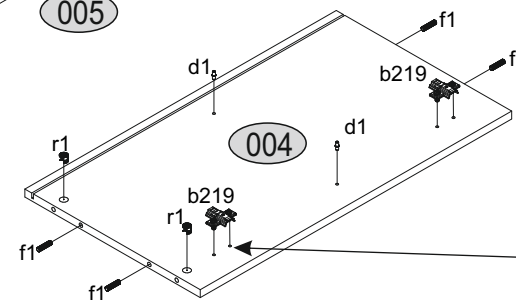
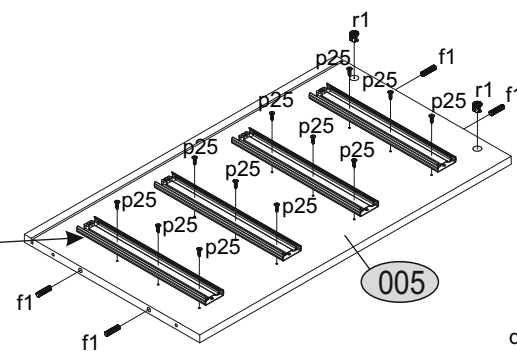
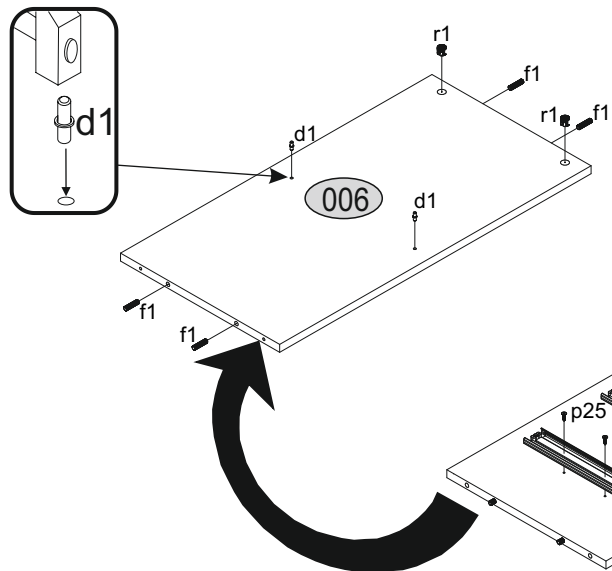
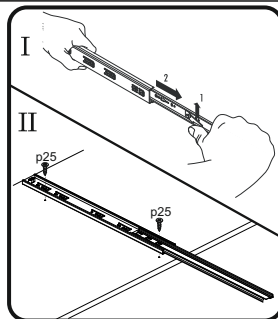
**2**

r16
x6



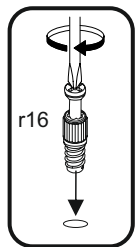
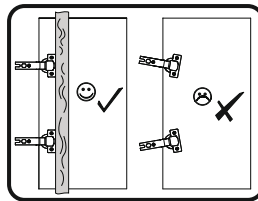
**3**

b219	f1	r1	d1	p25	lb L-300
x2	x12	x6	x4	x24	x4

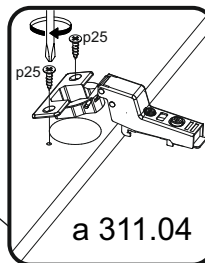
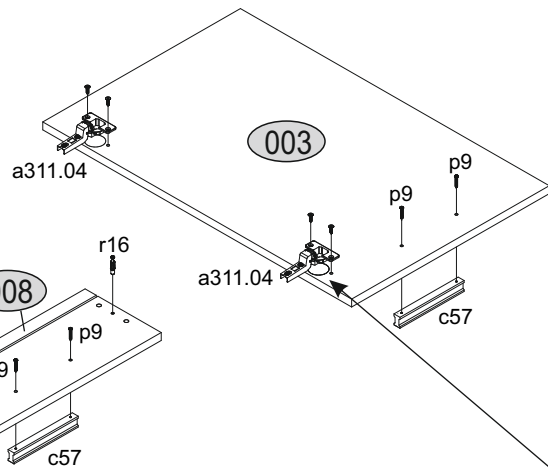


# 4

p25	a311.04	r16	p9	c57
x4	x2	x8	x10	x5

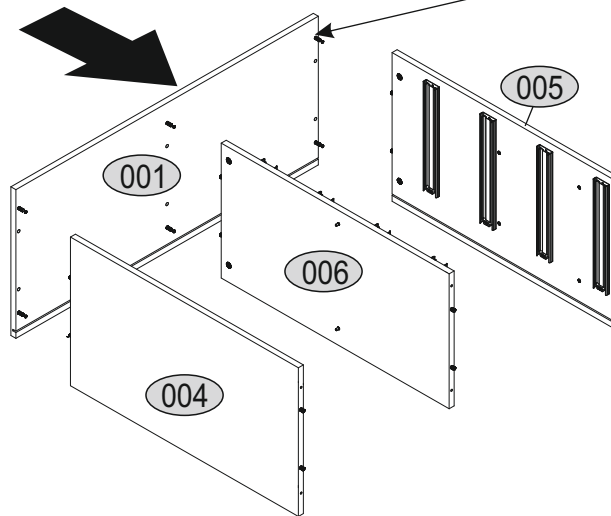
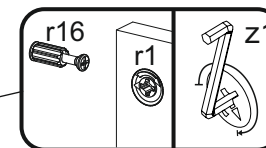


x4

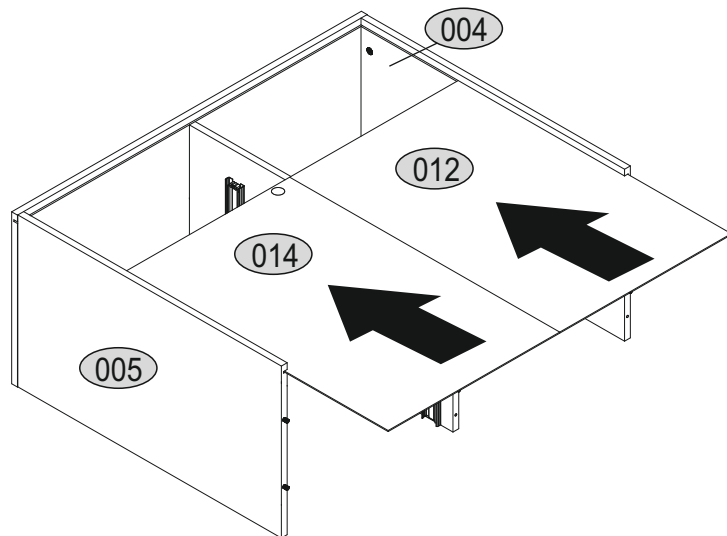


a 311.04

# 5

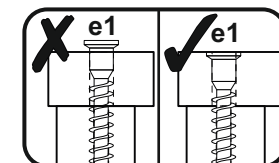
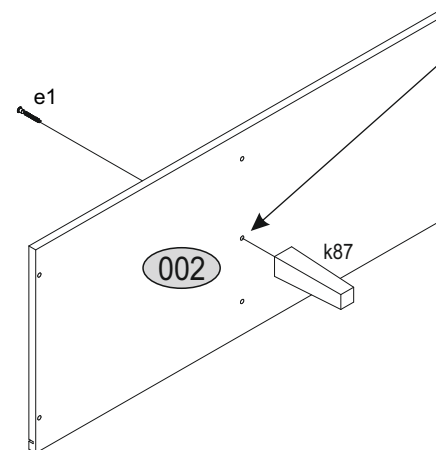
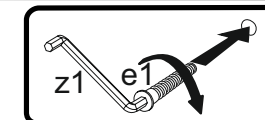


# 6

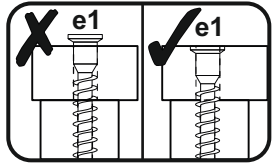
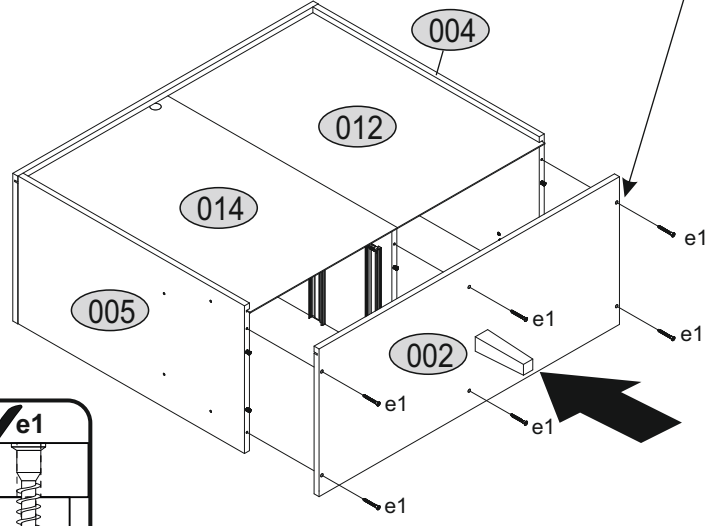
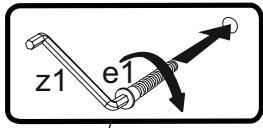
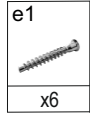


# 7

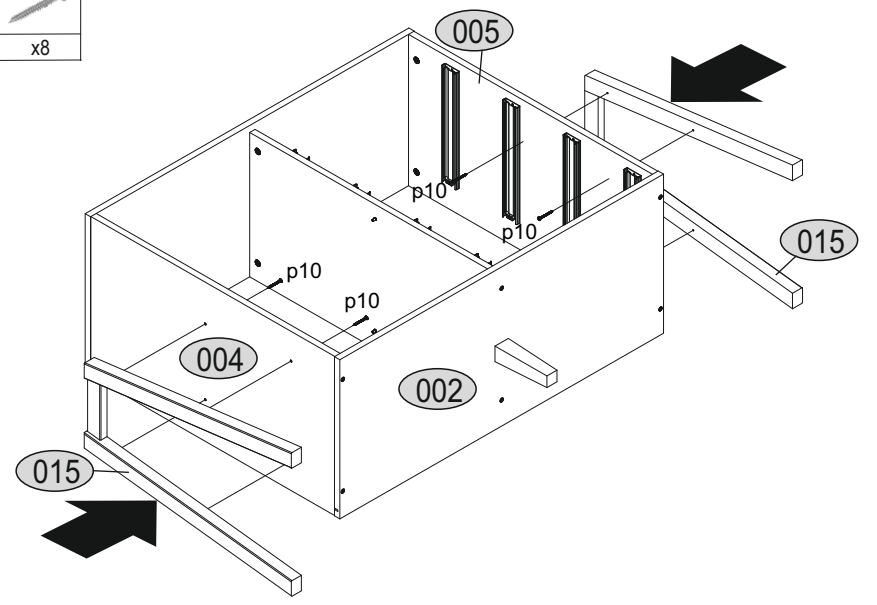
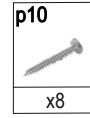
e1	k87
x1	x1



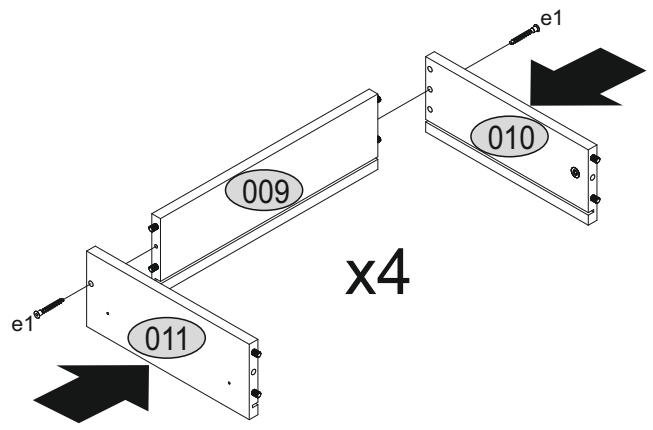
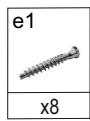
# 8



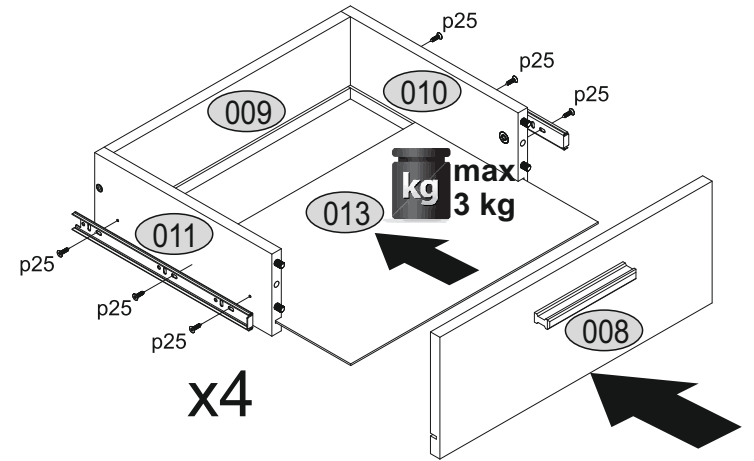
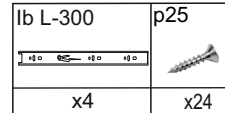
# 9



# 10

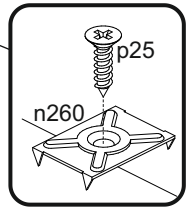
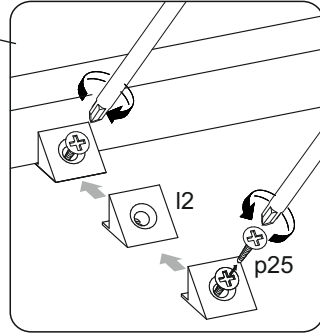
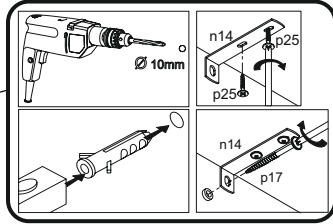
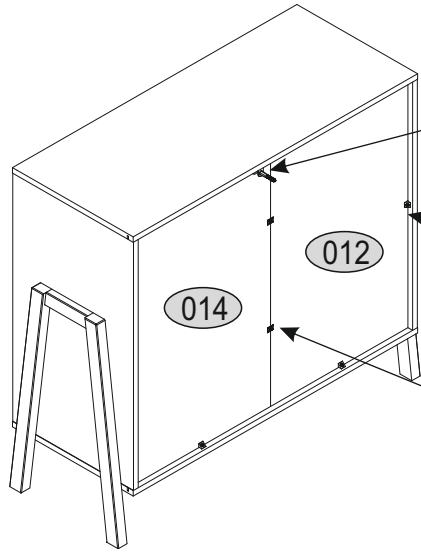
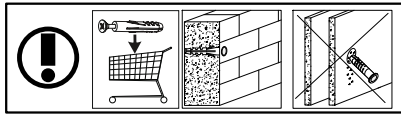


# 11

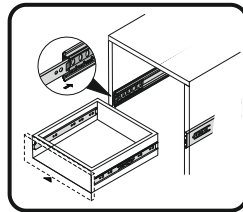
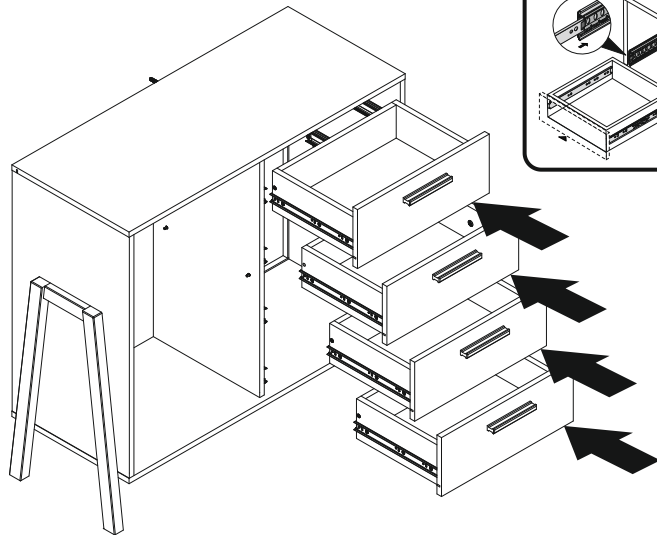


# 12

p25	l2	n260.01	n14	f3	p17
x10	x6	x2	x1	x1	x1



# 13



# 14

s2
x12

