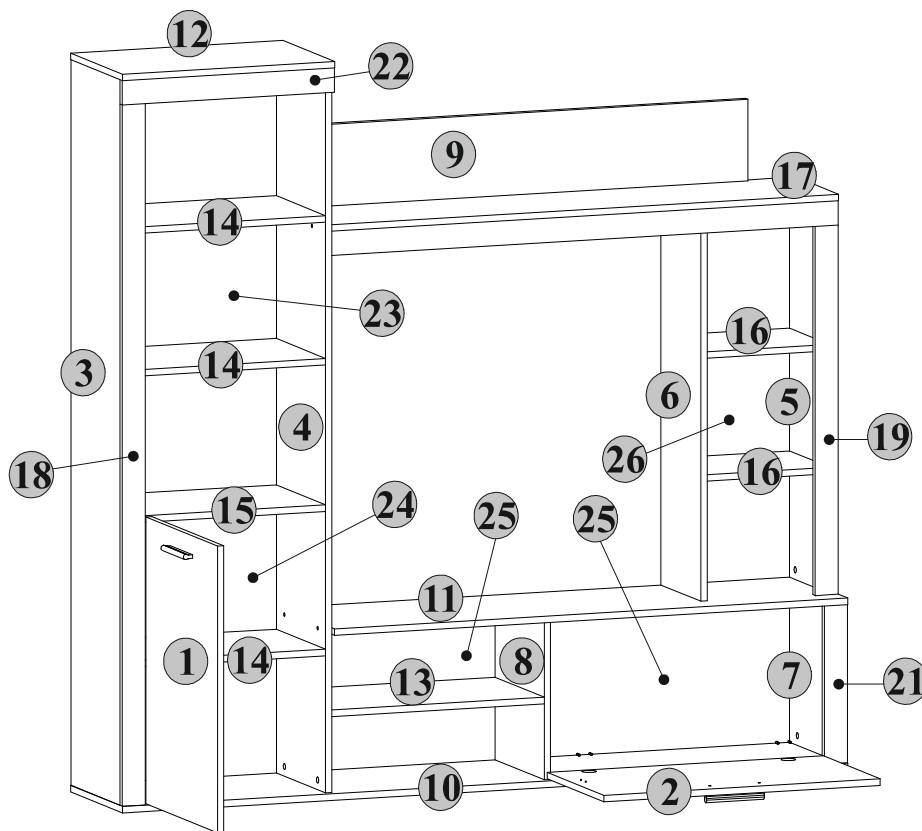
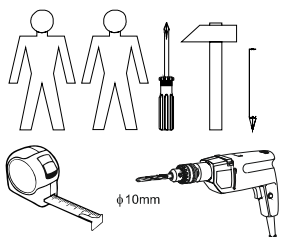




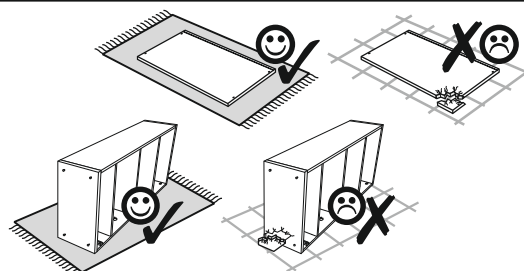
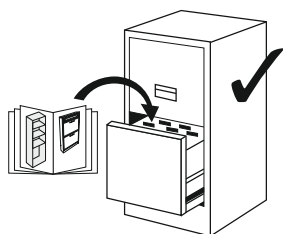
ΟΔΗΓΙΕΣ ΑΡΜΟΛΟΓΗΣΗΣ

ΒΑΔΑΝ ΣΥΝΘΕΣΗ



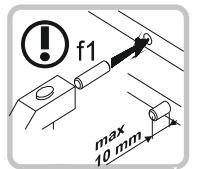
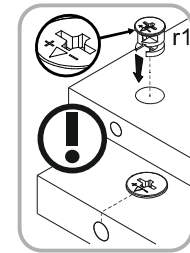
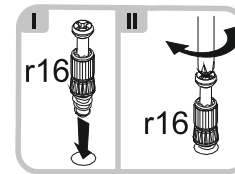
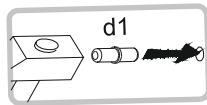
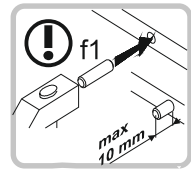
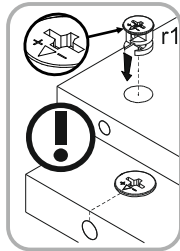
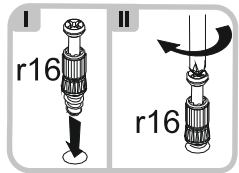
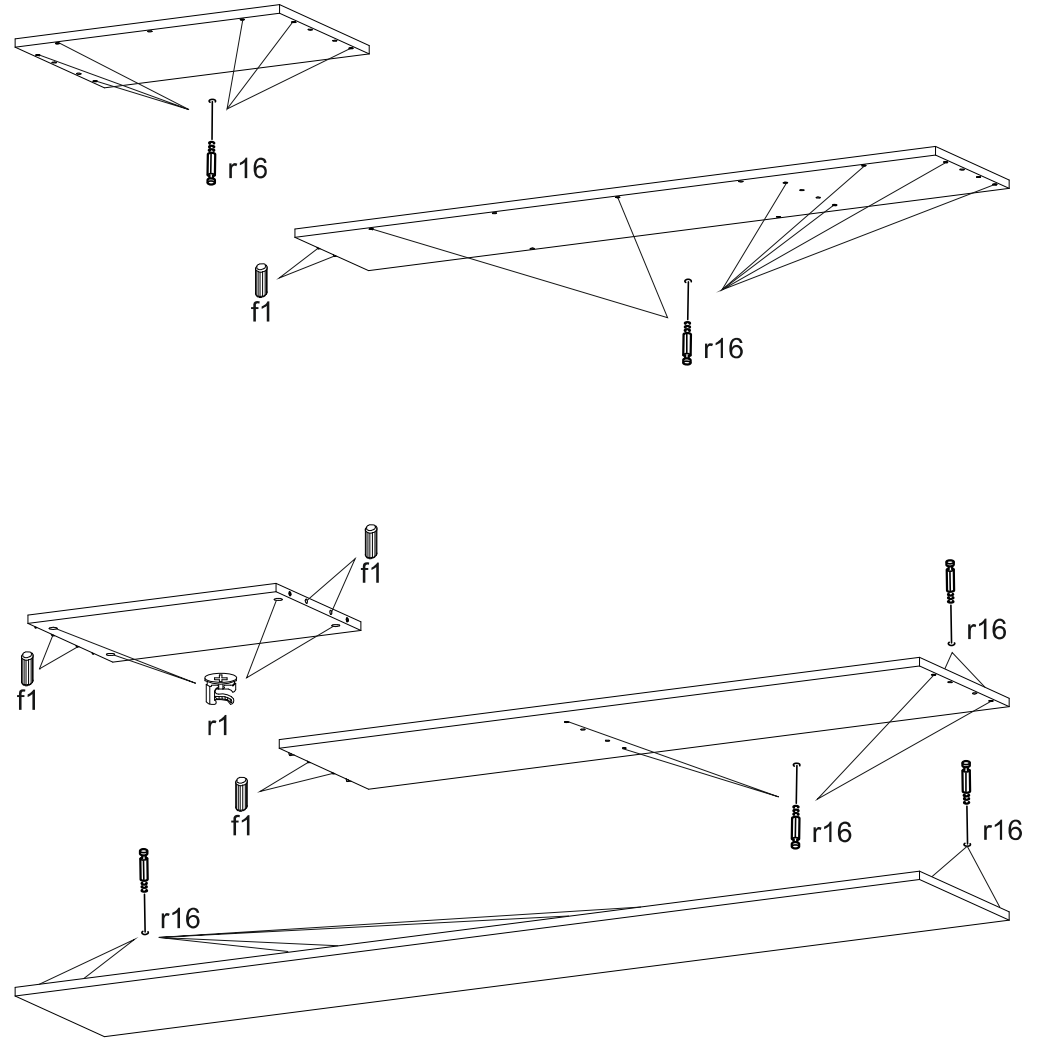
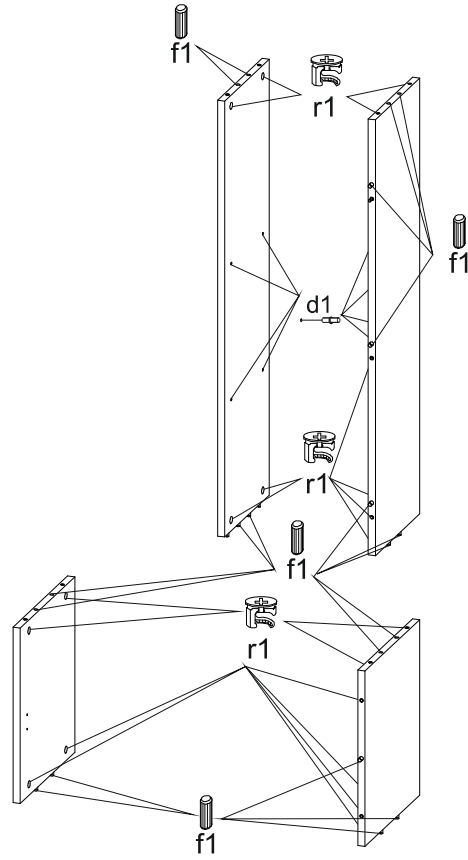
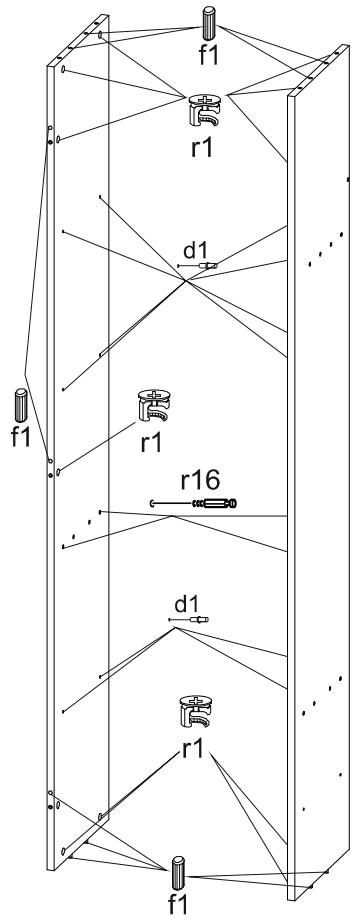
| | | | ΠΑΚΕΤΟ |
|----|----------|-------|--------|
| 1 | 702x483 | B-001 | 2/3 |
| 2 | 382x716 | B-002 | 2/3 |
| 3 | 1778x332 | B-101 | 1/3 |
| 4 | 1778x332 | B-102 | 1/3 |
| 5 | 964x270 | B-103 | 2/3 |
| 6 | 964x270 | B-104 | 2/3 |
| 7 | 388x332 | B-105 | 2/3 |
| 8 | 388x332 | B-106 | 2/3 |
| 9 | 200x1200 | B-107 | 1/3 |
| 10 | 1880x350 | B-201 | 1/3 |
| 11 | 1331x350 | B-202 | 1/3 |
| 12 | 550x350 | B-204 | 1/3 |
| 13 | 551x332 | B-302 | 2/3 |
| 14 | 516x332 | B-303 | 2/3 |
| | 516x332 | B-303 | 2/3 |
| | 516x332 | B-303 | 2/3 |
| 15 | 516x332 | B-304 | 2/3 |
| 16 | 317x270 | B-305 | 1/3 |
| 17 | 1331x288 | B-306 | 1/3 |
| 18 | 1718x60 | B-406 | 1/3 |
| 19 | 904x60 | B-407 | 1/3 |
| 20 | 388x60 | B-408 | 1/3 |
| 21 | 1331x60 | B-409 | 1/3 |
| 22 | 550x60 | B-410 | 1/3 |
| 23 | 1093x542 | B-601 | 2/3 |
| 24 | 711x537 | B-602 | 2/3 |
| 25 | 414x567 | B-603 | 2/3 |
| 26 | 409x768 | B-604 | 2/3 |
| 27 | 343x985 | B-605 | 2/3 |

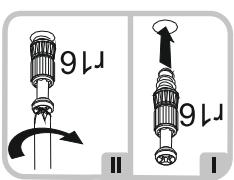
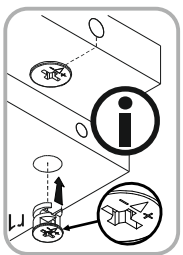
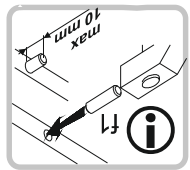
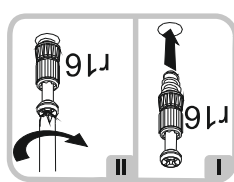
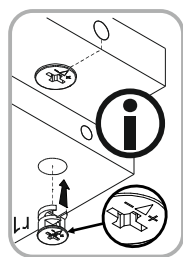
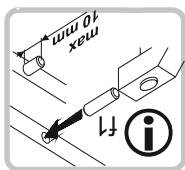
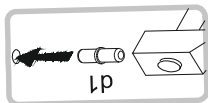
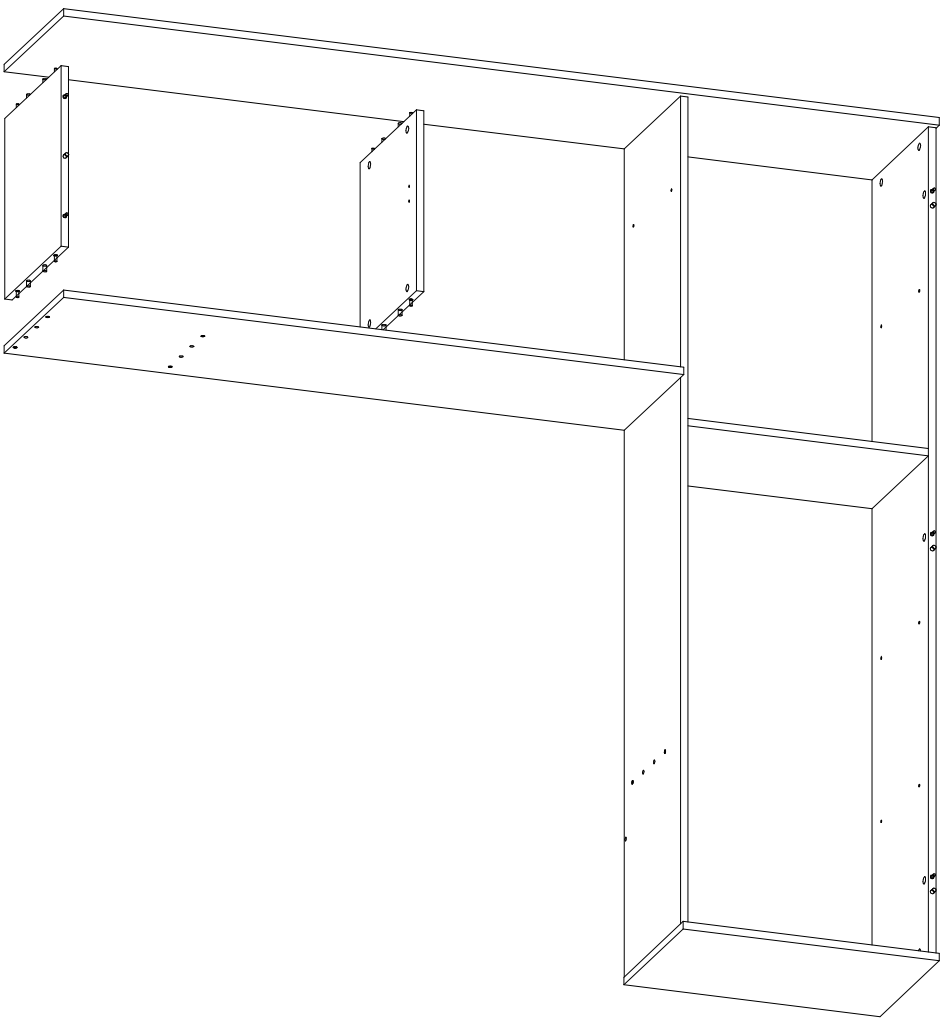
1880x1790x350mm



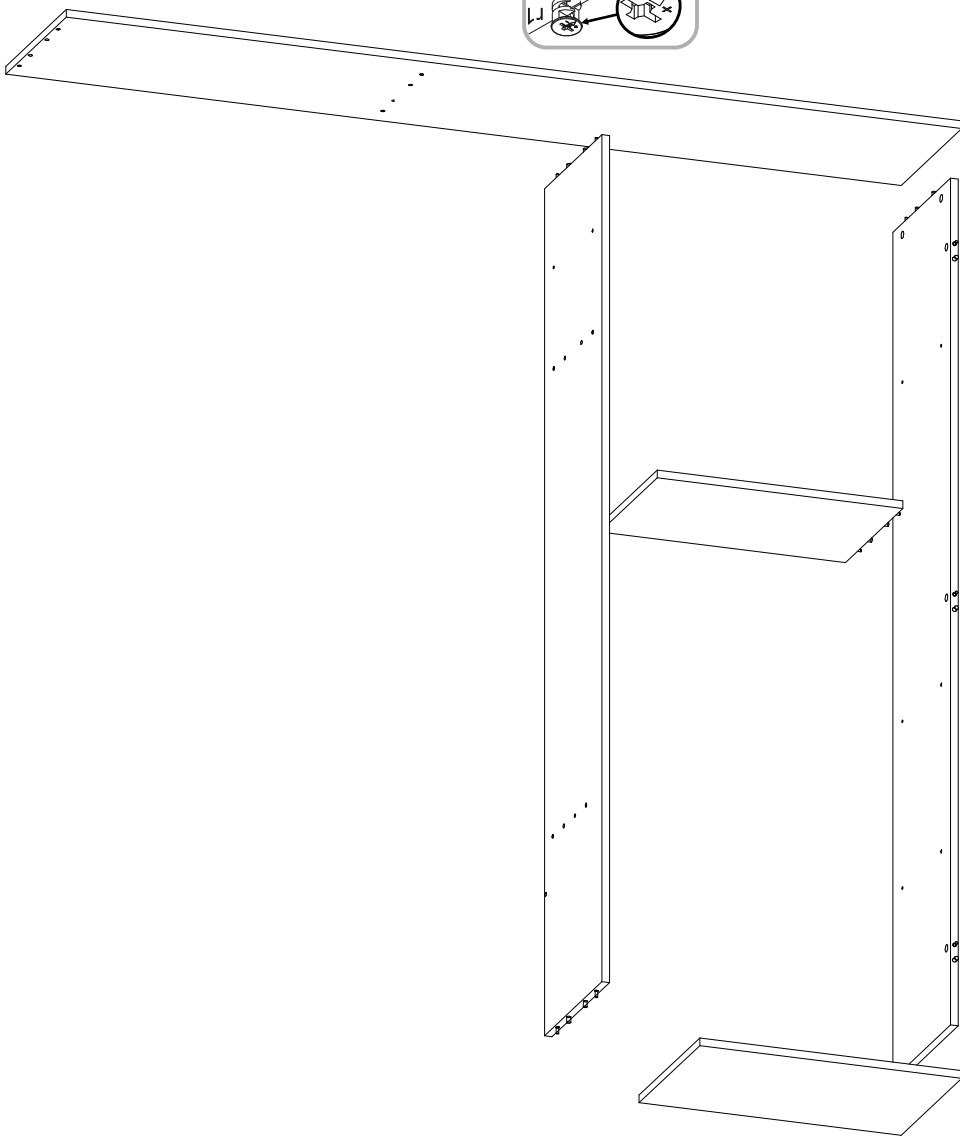
| | | | | | | |
|-------------------------|------------------------|-------------------------|---------------------------|-----------------------------|------------------------|-----------------------|
| 2x a111 | 2x a144 | 2x b104 | 2x b119 | 2x c235 | 24x φ5x17 mm d1 | 7x φ5x50 mm e1 |
| 4x φ6.5x13 mm e2 | 45x φ8x30 mm f1 | 2x φ10 mm f3 | 50x l1 | 6x n311.05 | 2x n14 | 1x n282.02 |
| 4x φ4x30 mm p9 | 2x φ5x60 mm p17 | 12x φ4x18 mm p18 | 18x φ3.5x16 mm p25 | 42x φ1.5x12mm #16 r1 | 42x r16 | 42x s2 |





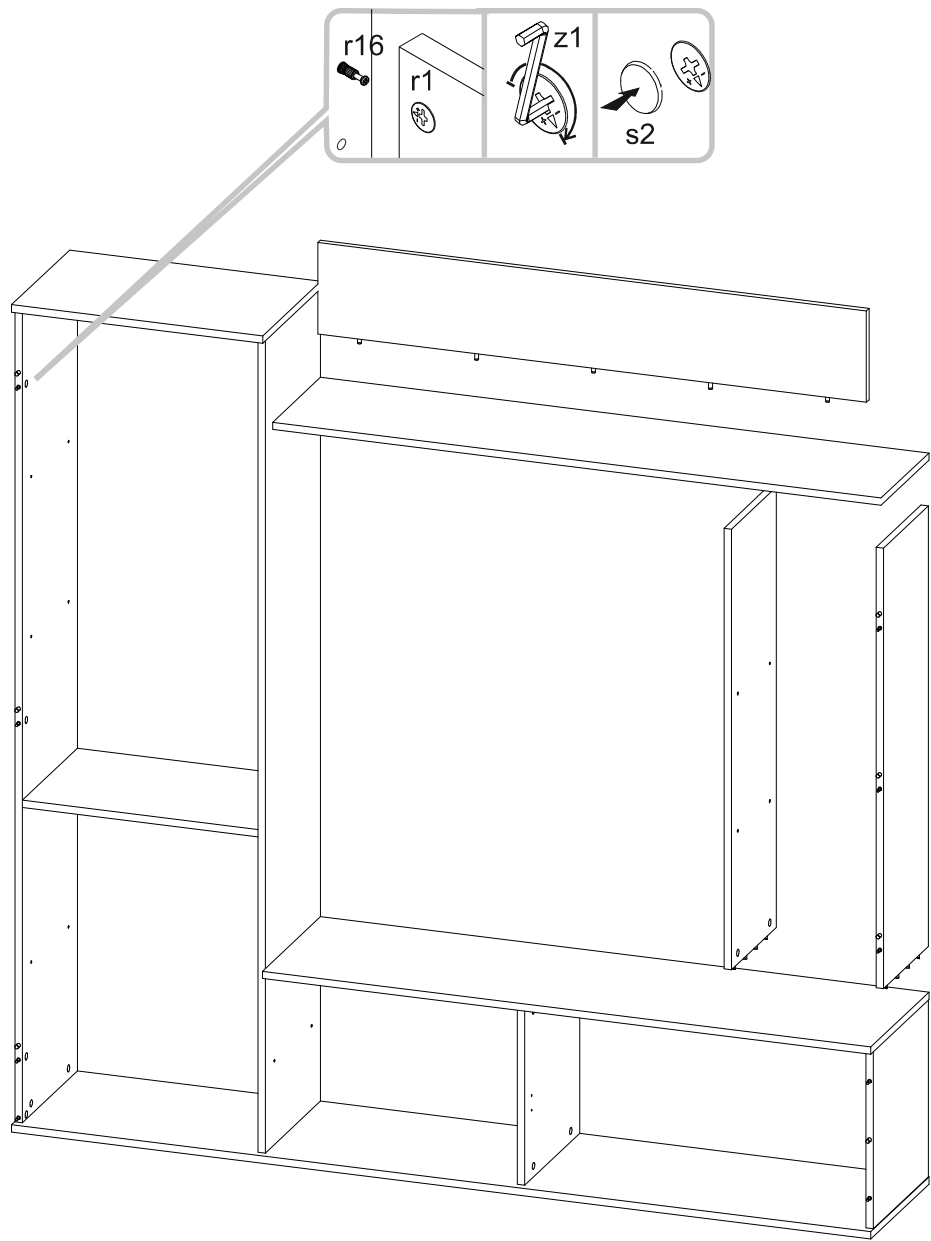


2

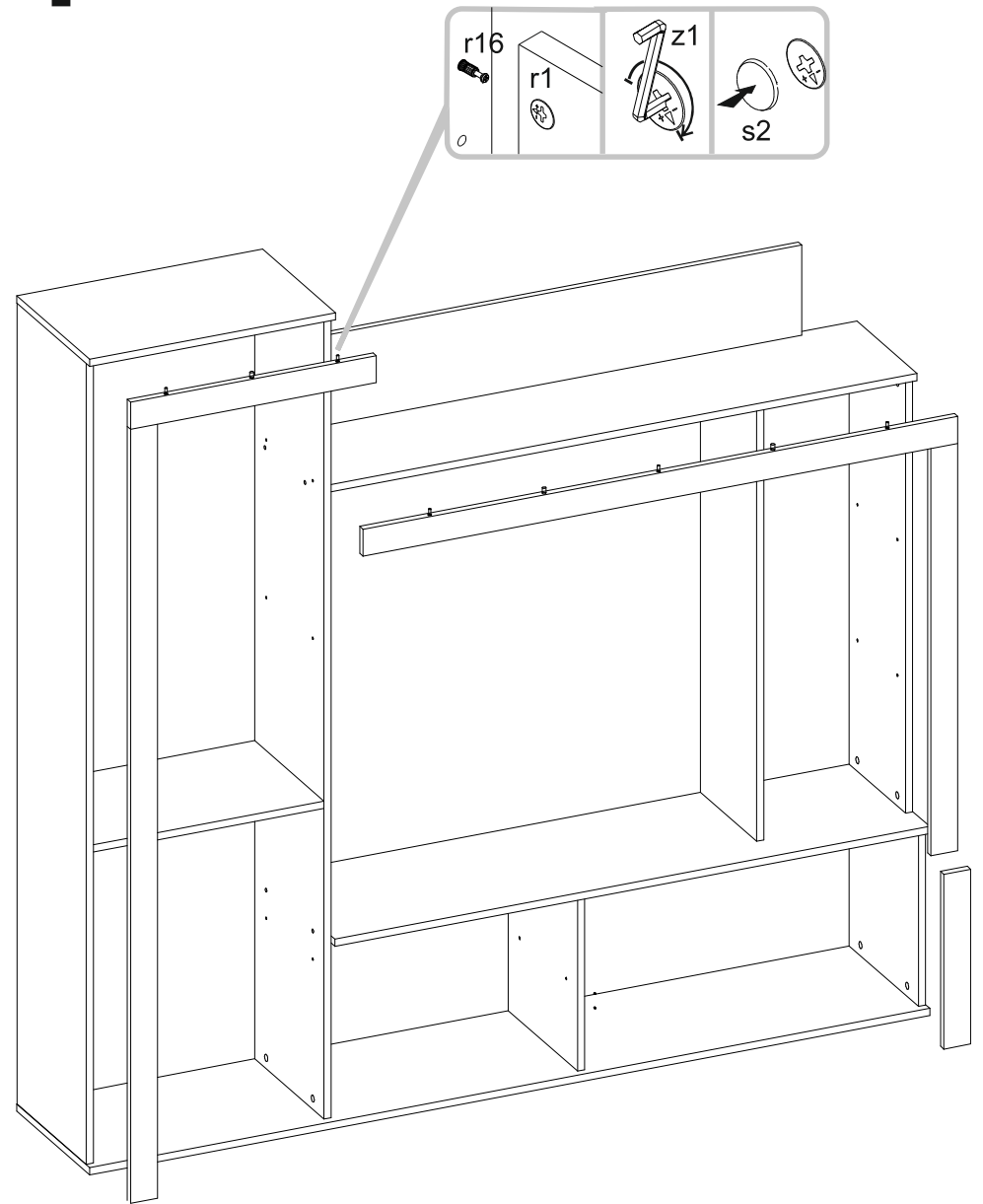


1

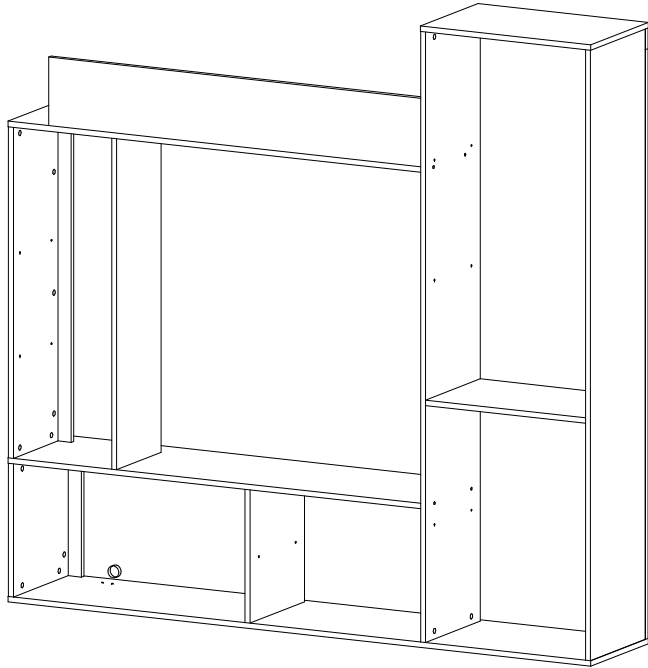
3



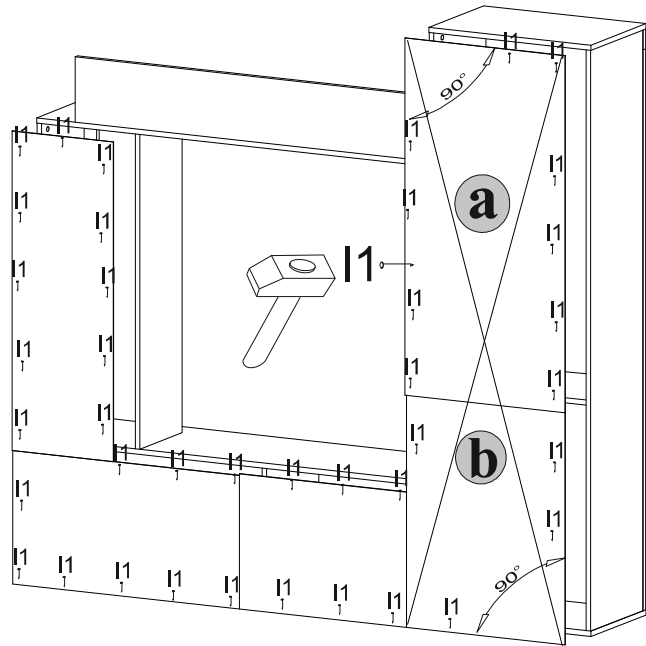
4



5



6



7

