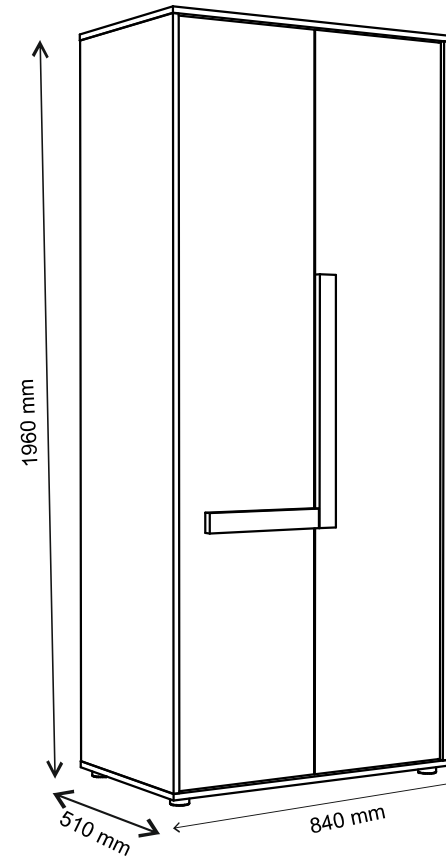
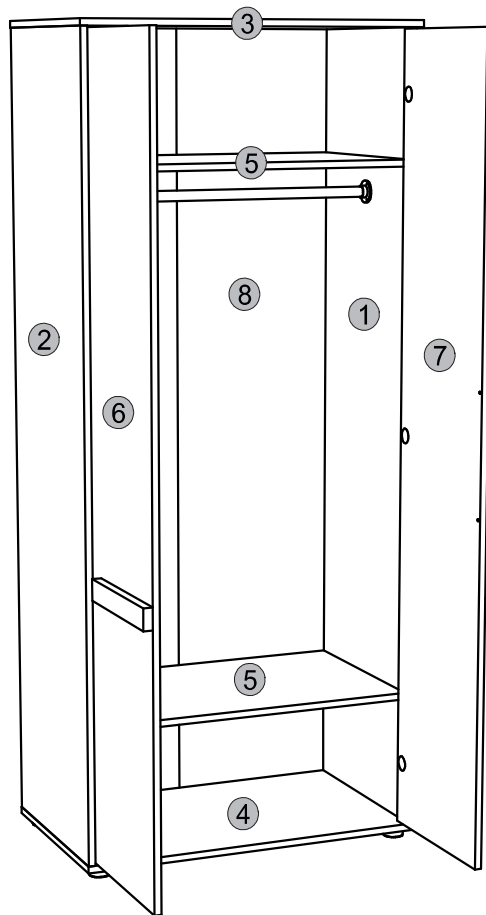
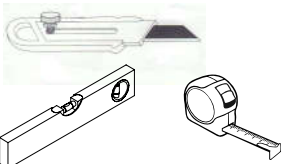
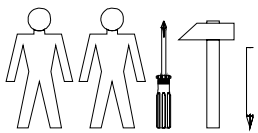
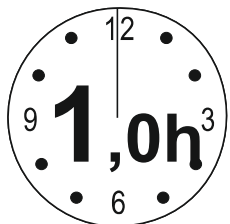


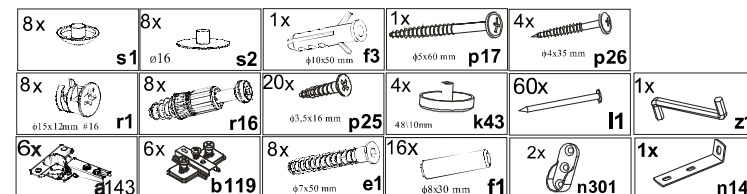
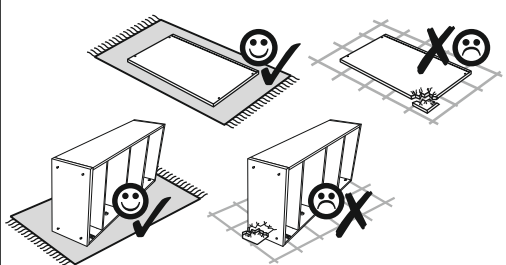
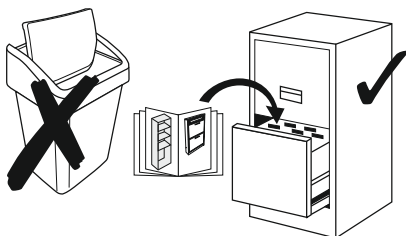


Instalation manual

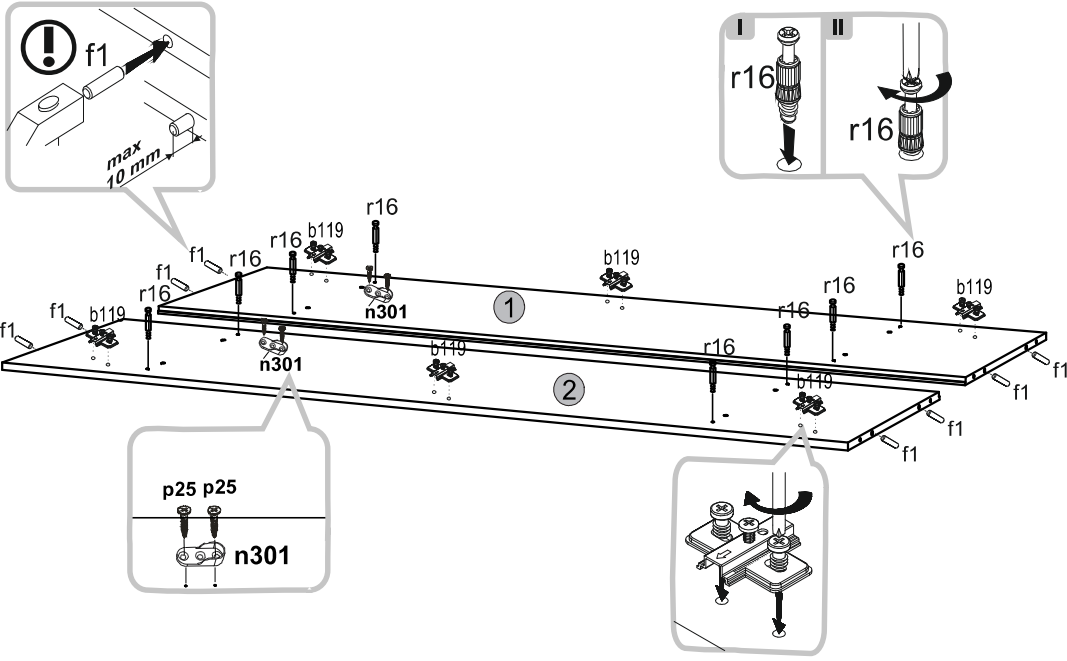
ALEX: Wardrobe 2D



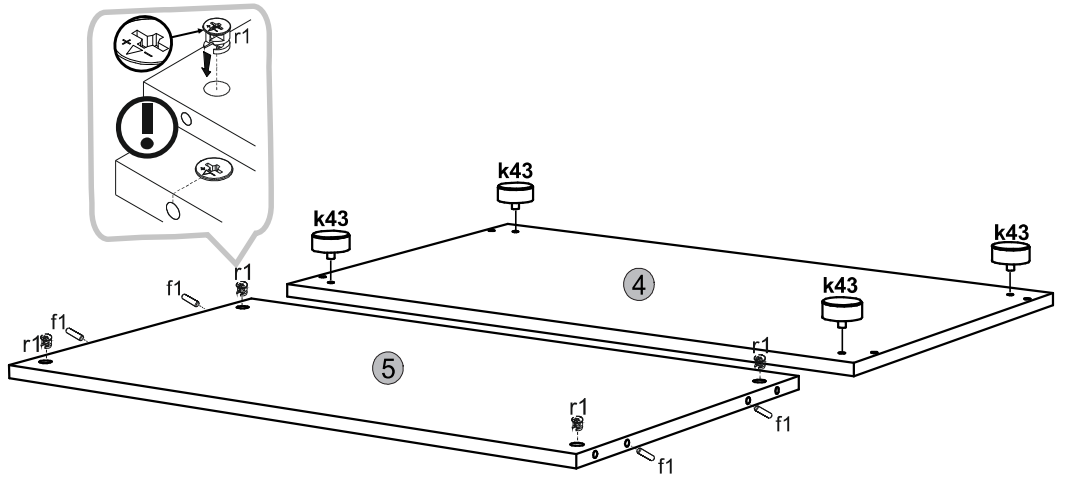
Element symbol	Dimensions				Code	Package
1	1908	499	16	1	A - 122	1/1
2	1908	499	16	1	A - 123	1/1
3	840	500	16	1	A - 211	1/1
4	840	500	16	1	A - 210	1/1
5	806	471	16	2	A - 309	1/1
6	1902	399	16	1	A - 016	2/2
7	1902	399	16	1	A - 017	2/2
8	1926	412	3	2	A - 615	1/1



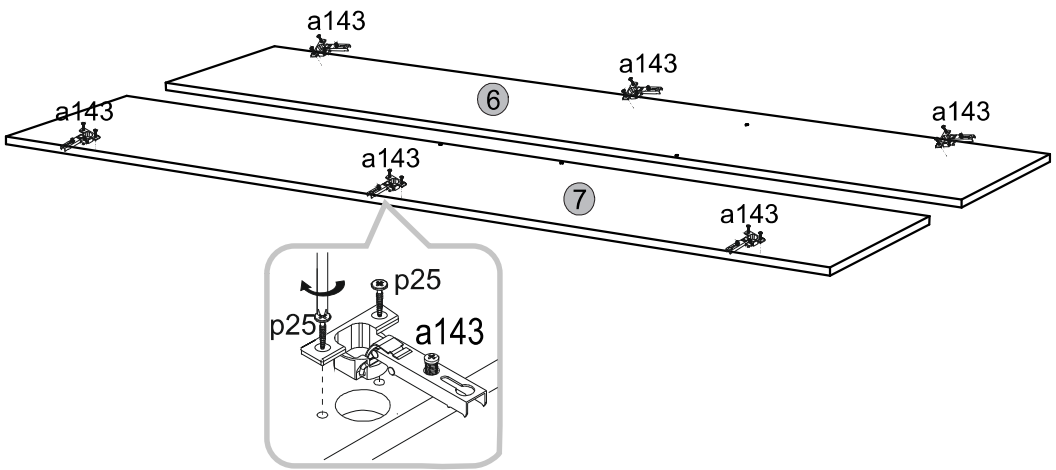
1



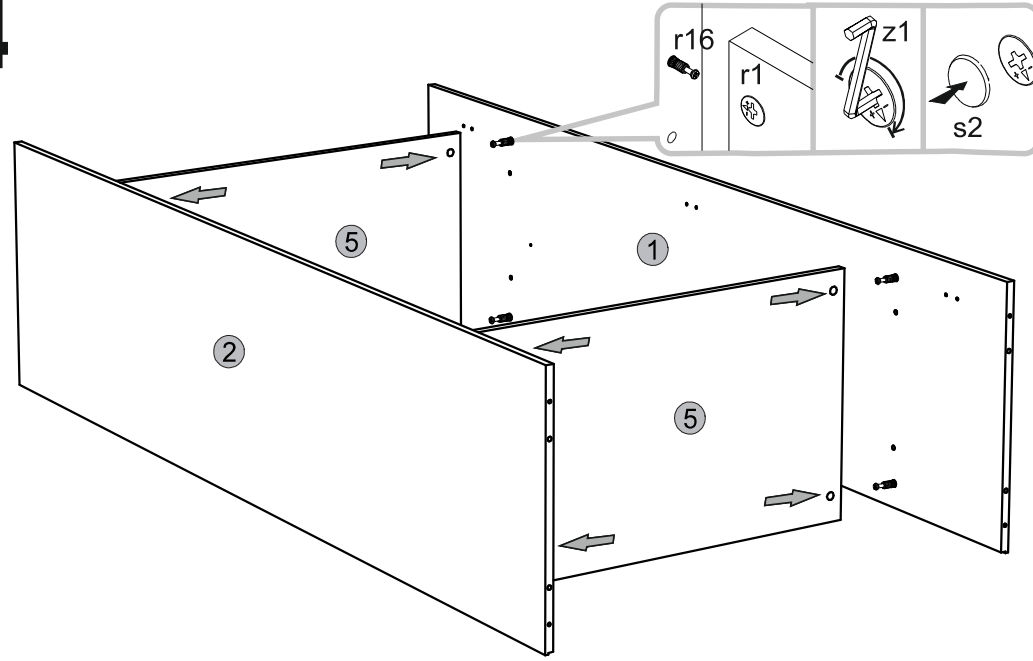
3



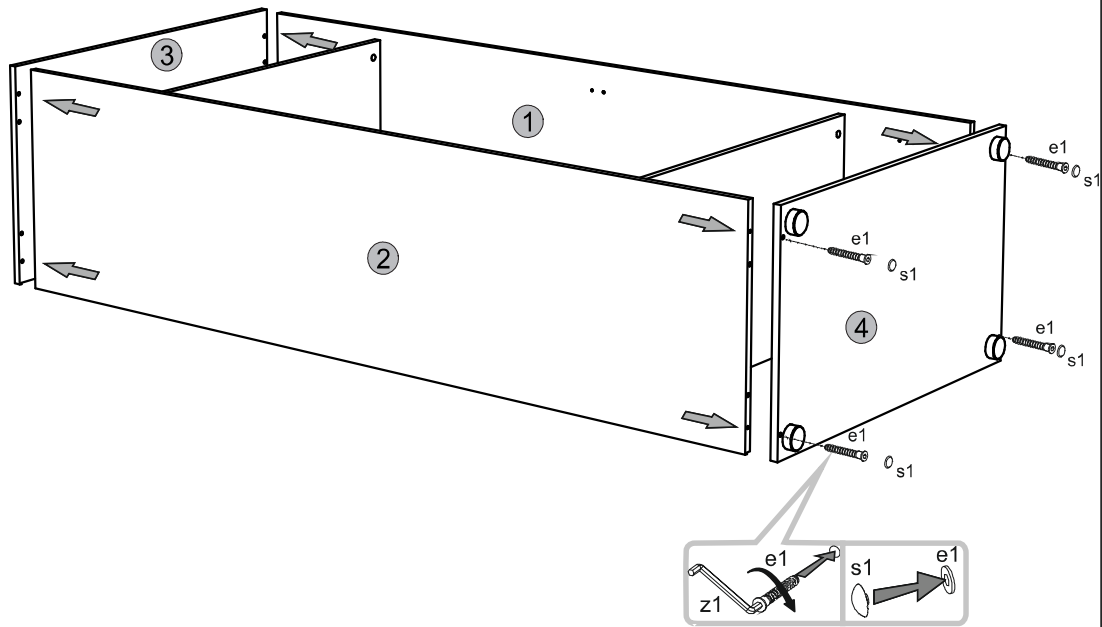
2



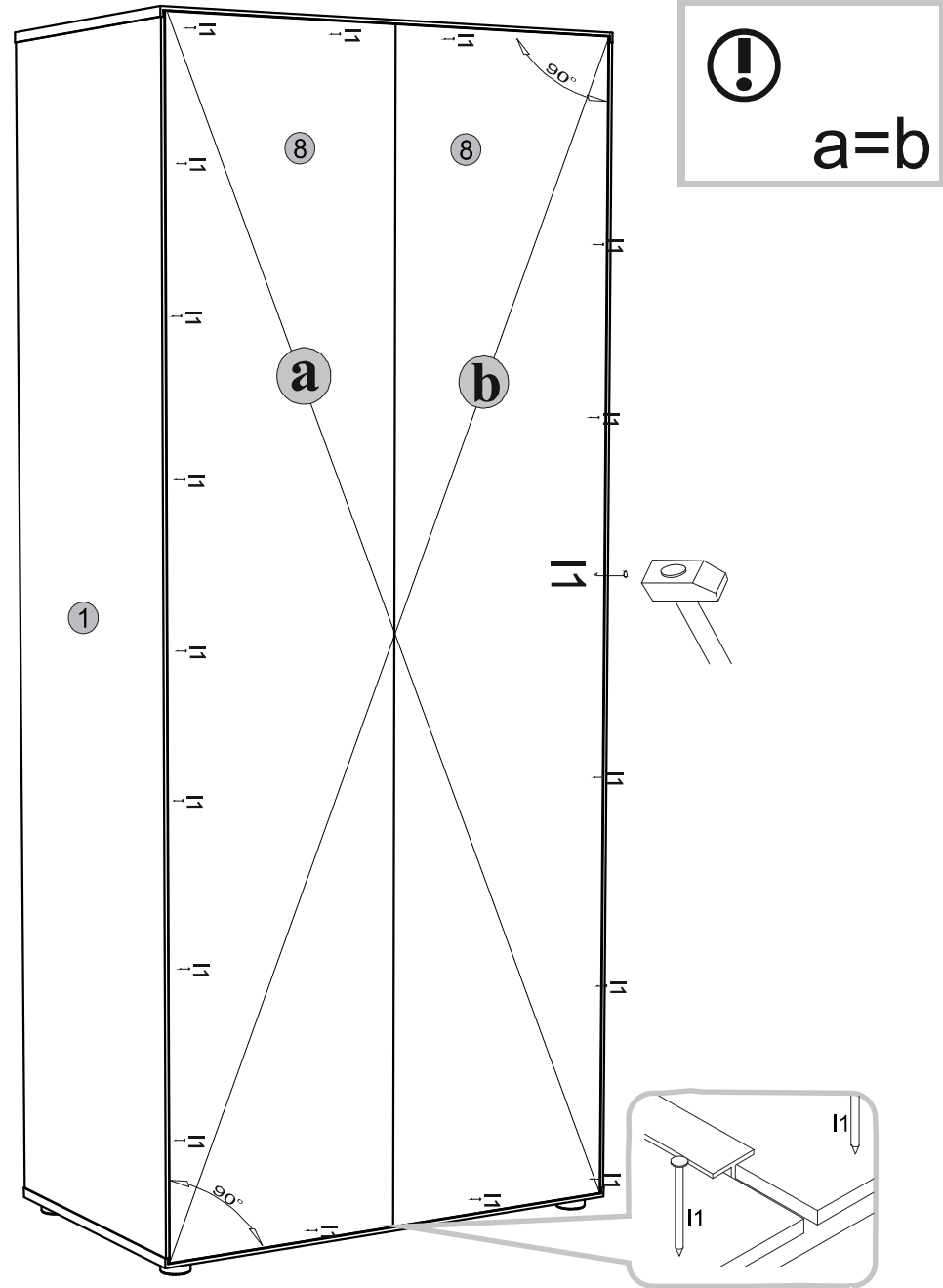
4



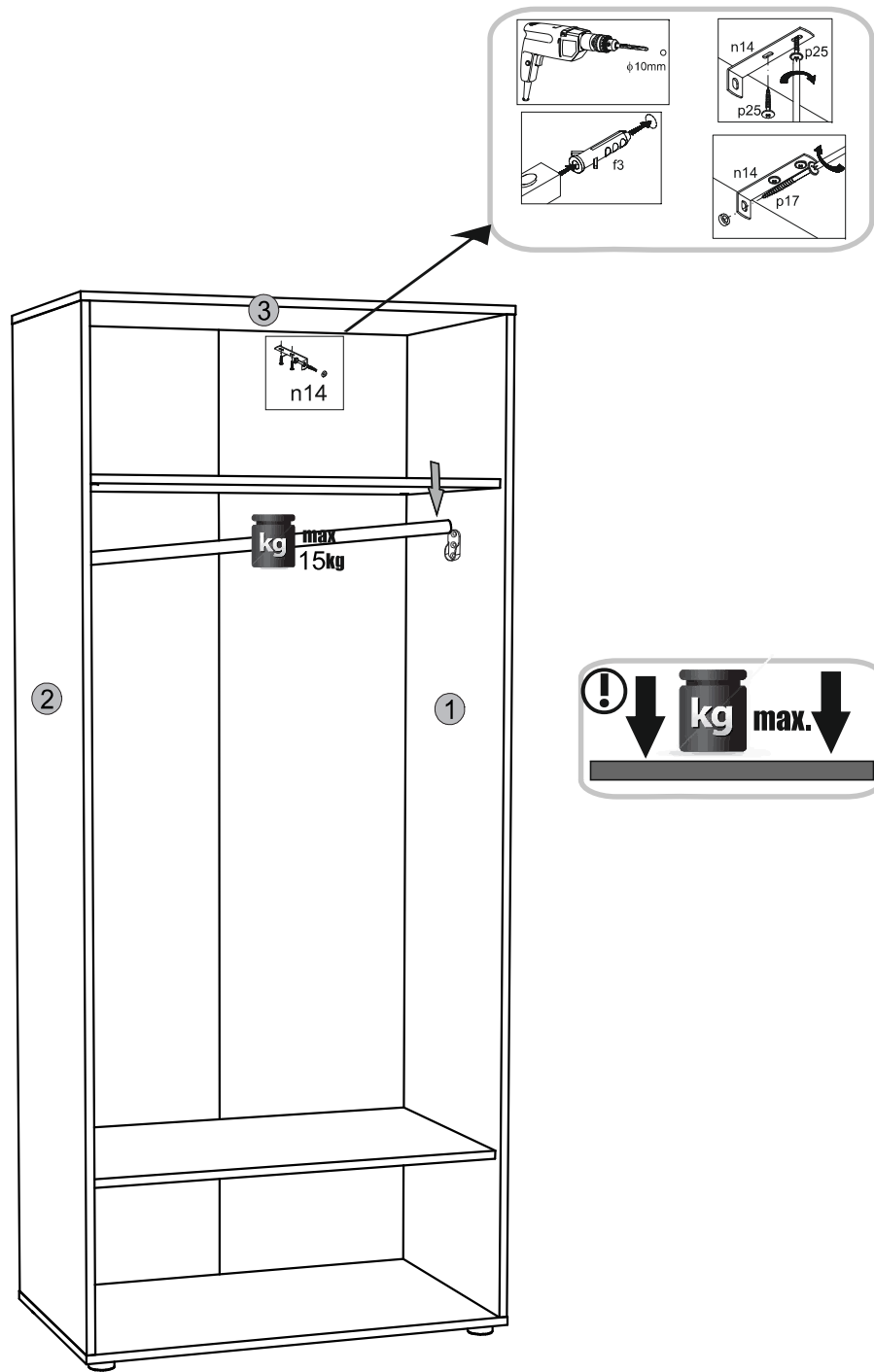
5



6



7



8

