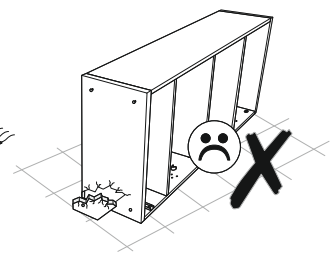
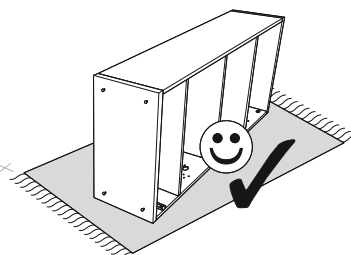
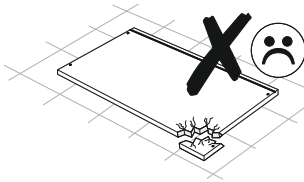
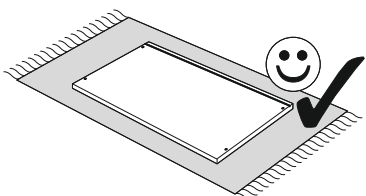
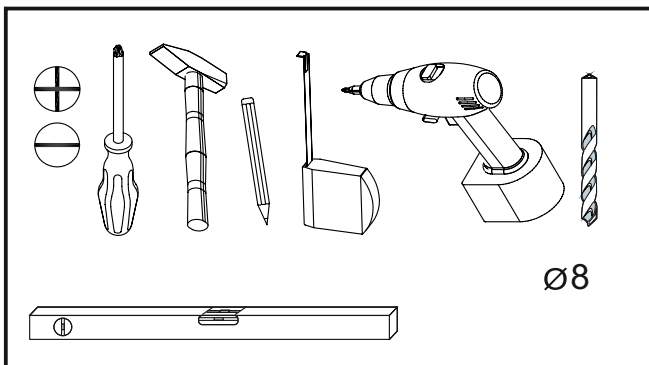
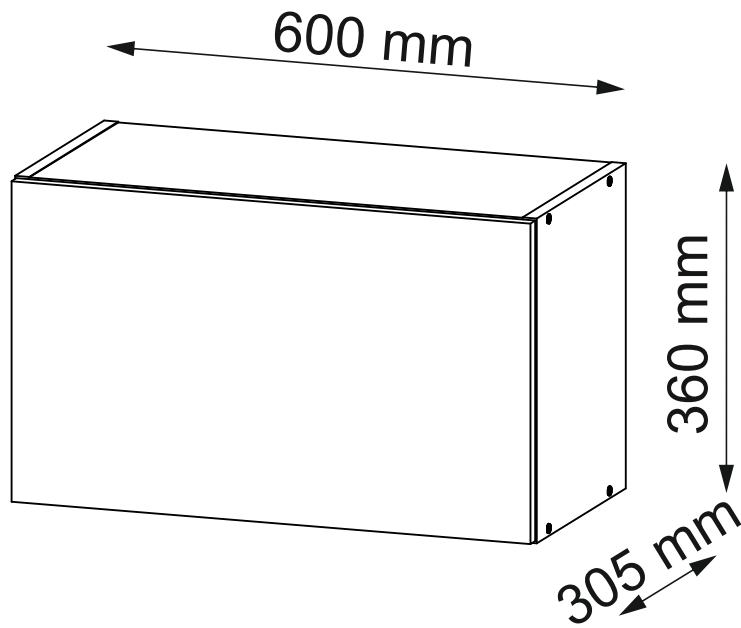
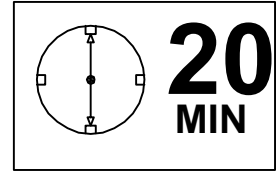
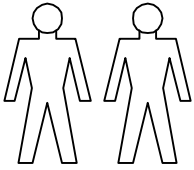




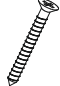

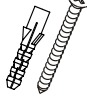




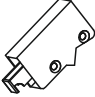

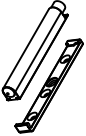

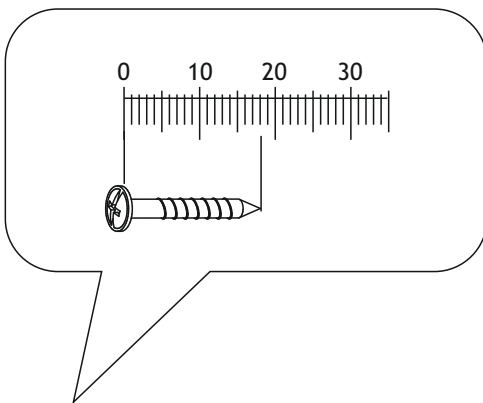


KITCHEN SOFT 60 UC/360

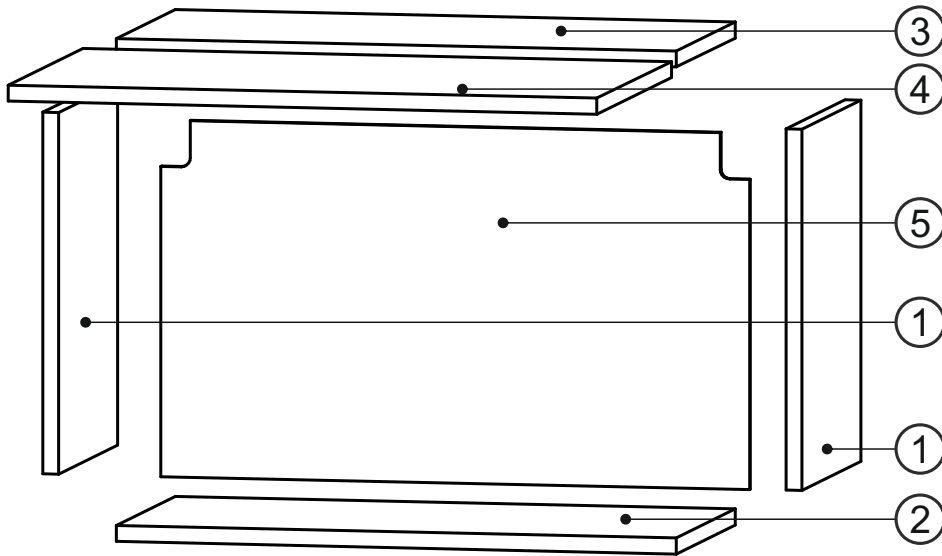



KITCHEN SOFT 60 UC/360

A0  ø8x30 x4	B1  ø7x50 x8	B0  x4	D5  3,5x16 x6	D13  4x30 x4	F1  x1	E0  8x50 x4	H0  x2	J6  x2	J29  x2	K  4mm x1
P4  x2	P5  x2	P32  x1	T8  x30							

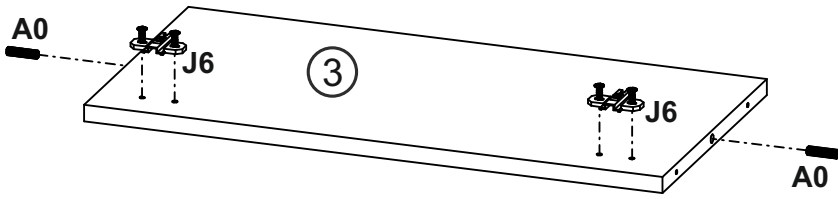





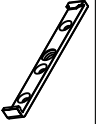
KITCHEN SOFT 60 UC/360

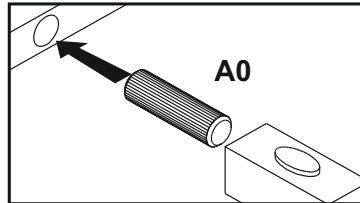
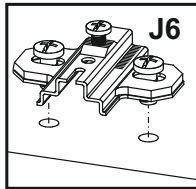
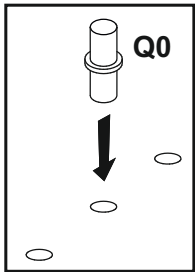
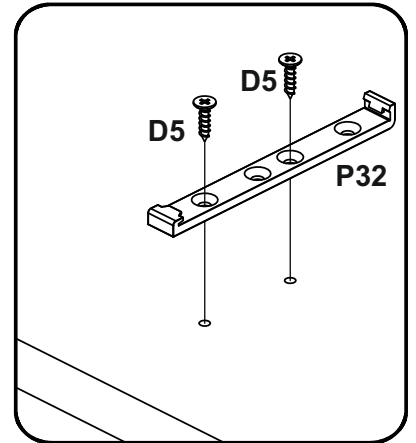
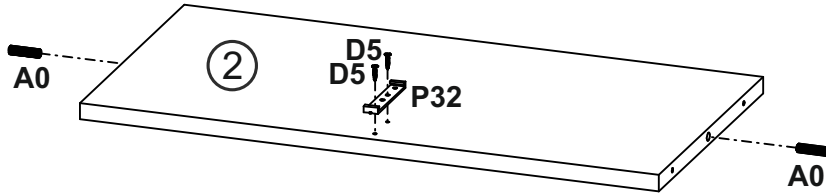


①	360	281	16	x2	1/1
②	567	281	16	x1	1/1
③	567	281	16	x1	1/1
④	596	355	16	x1	1/1
⑤	596	355	3	x1	1/1
					1/1

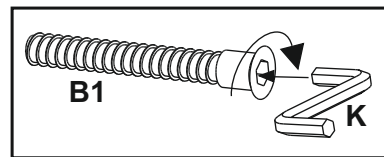
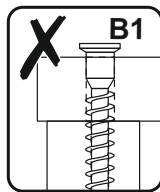
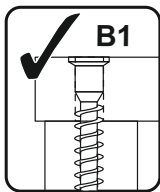
1


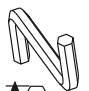


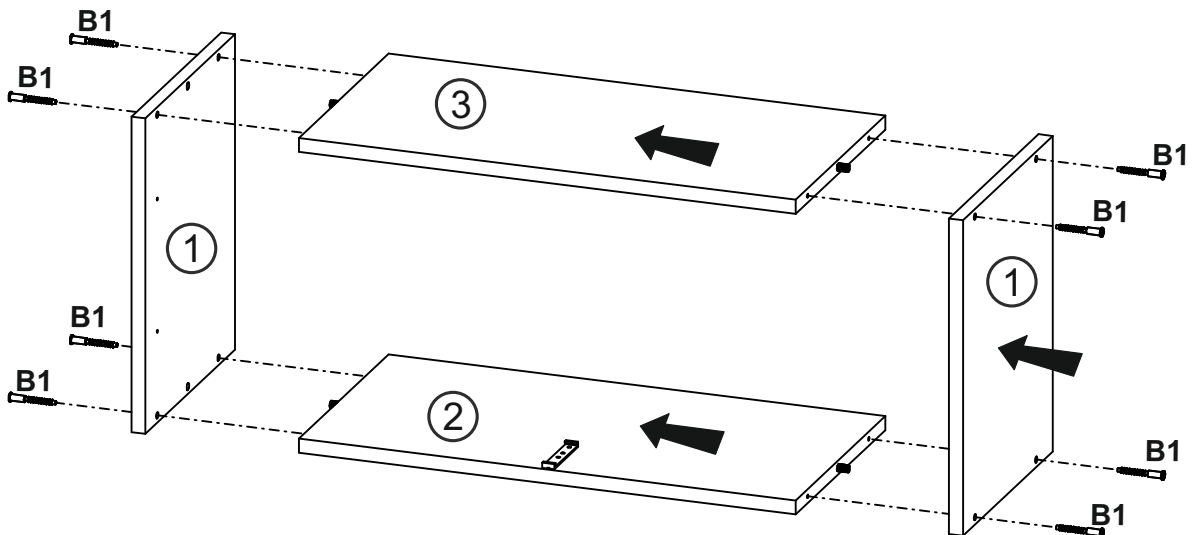
A0  ø8x30 x4	D5  3,5x16 x2	J6  x2	P32  x1
--	---	---	--



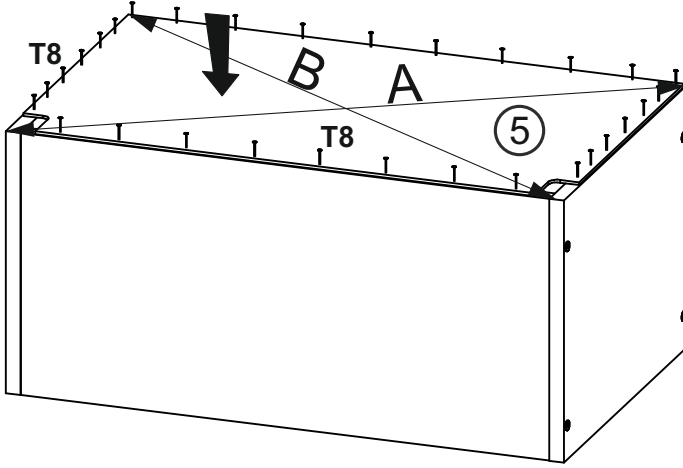
2



B1  ø7x50 x8	K  4mm x1
--	---

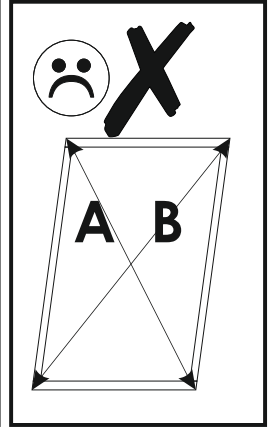
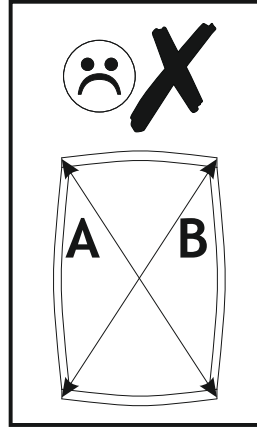
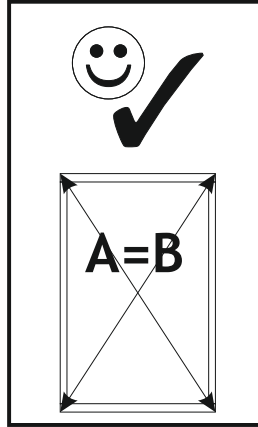
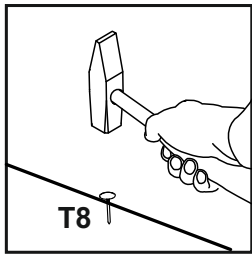


3

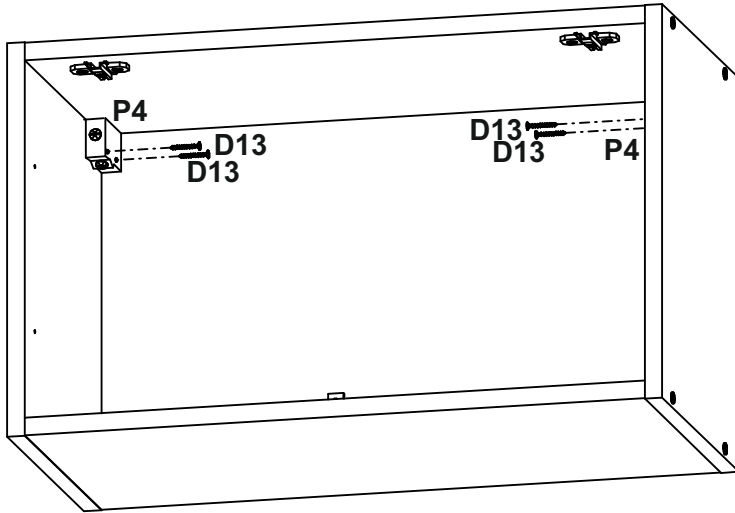


T8

x30

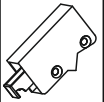


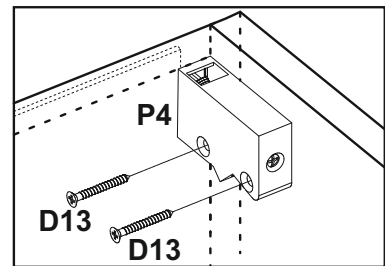
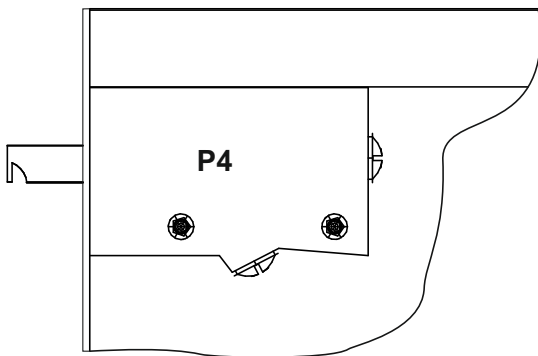
4



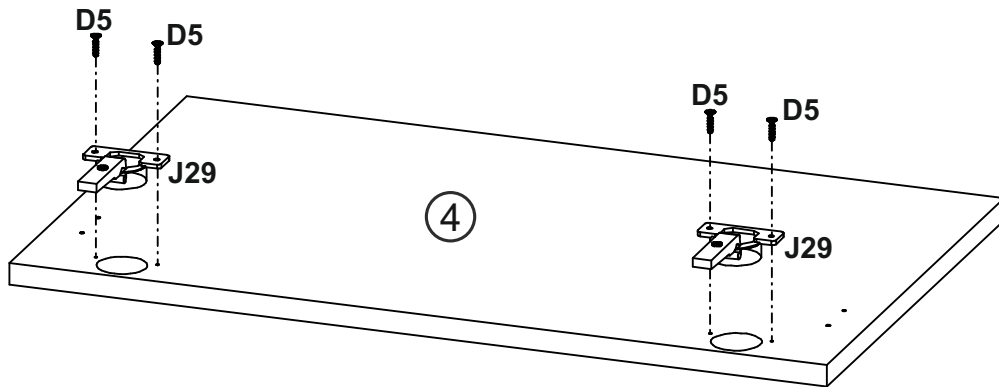
D13

4x30
x4

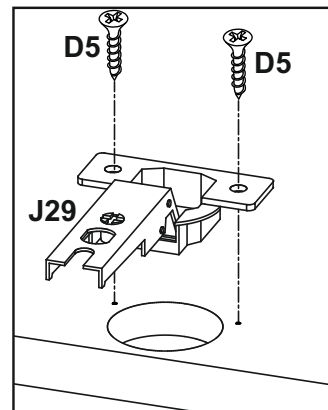
P4

x2



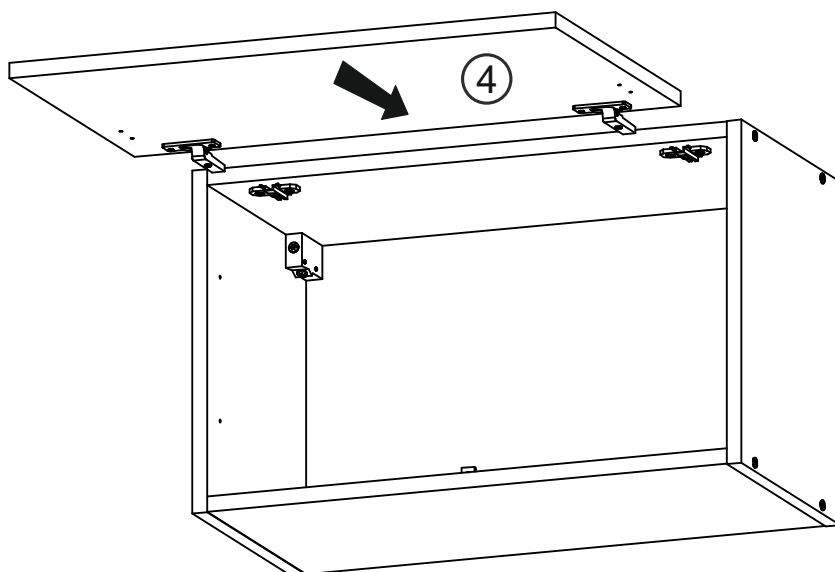
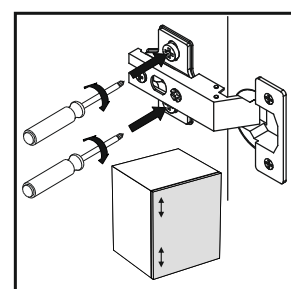
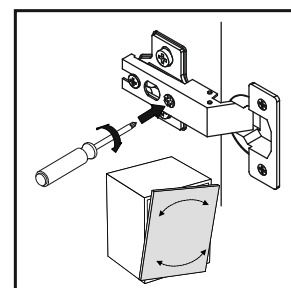
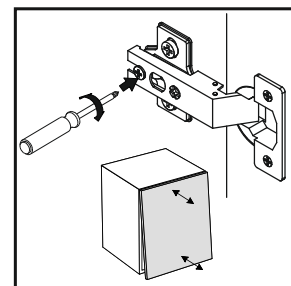
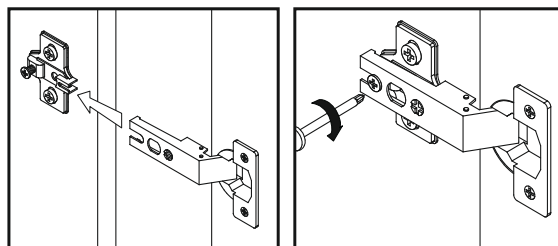
5



D5	J29
	
3,5x16	
x4	x2



6

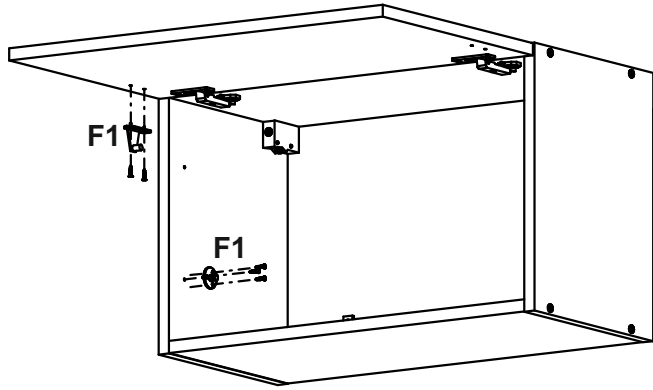


7

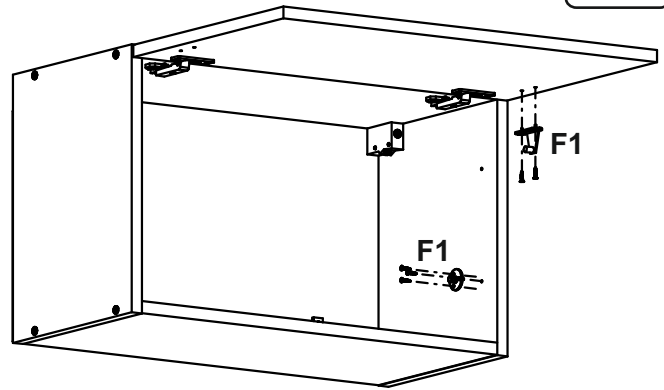
F1

x1

A



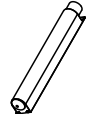


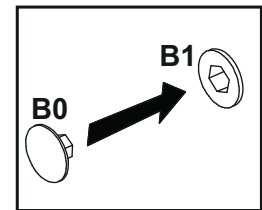
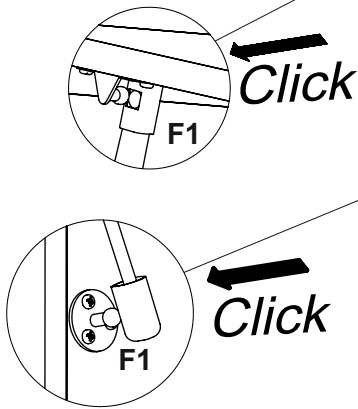
B



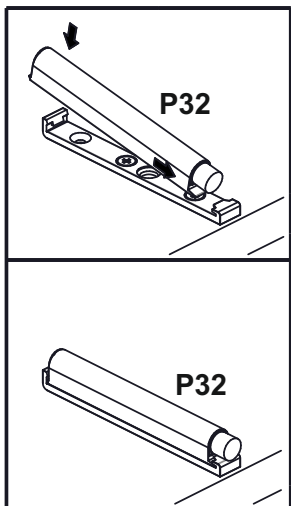
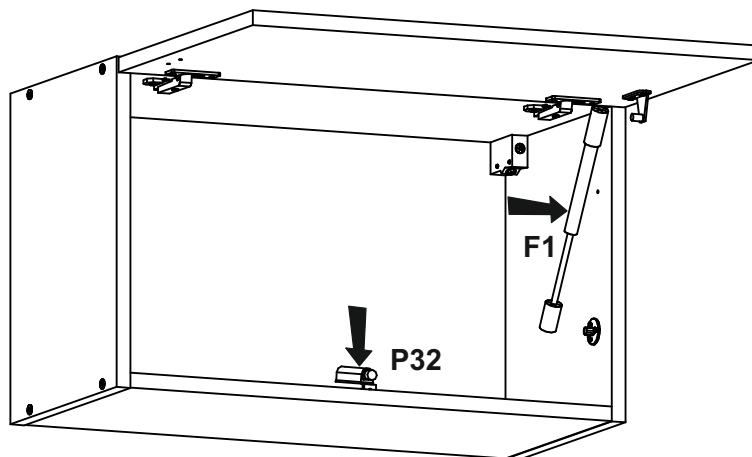
8

A

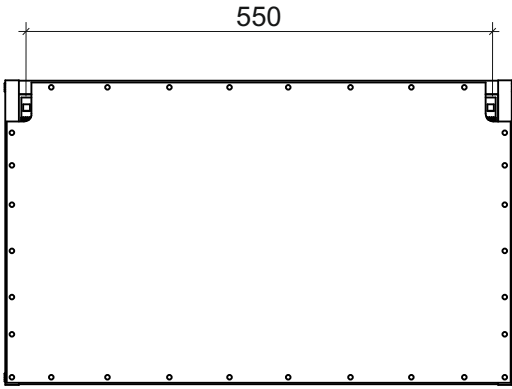
B0	F1	P32
		
x4	x1	x1

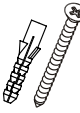




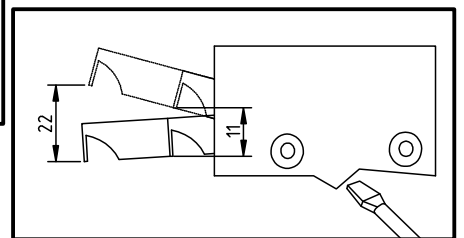
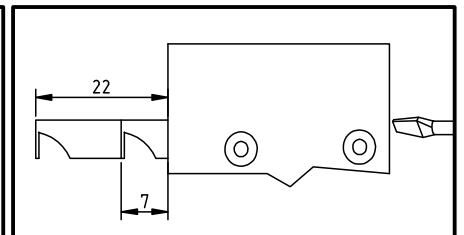
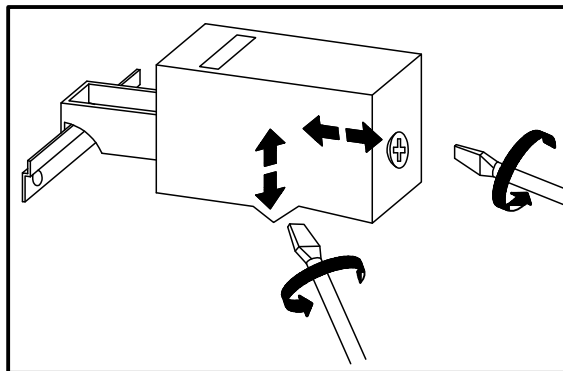
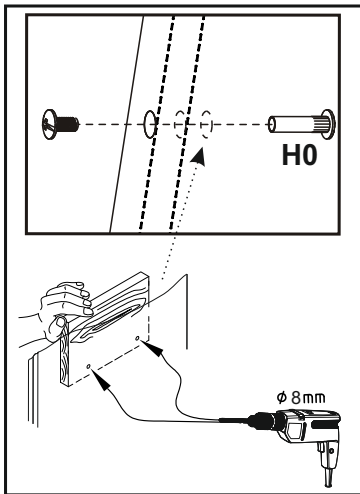
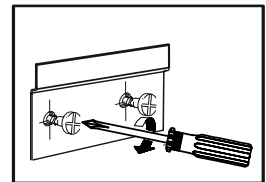
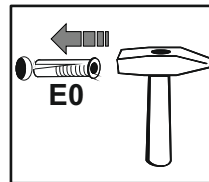
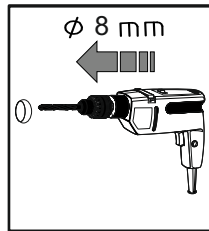
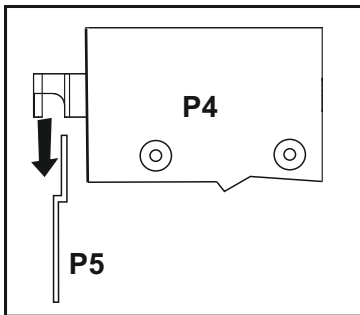
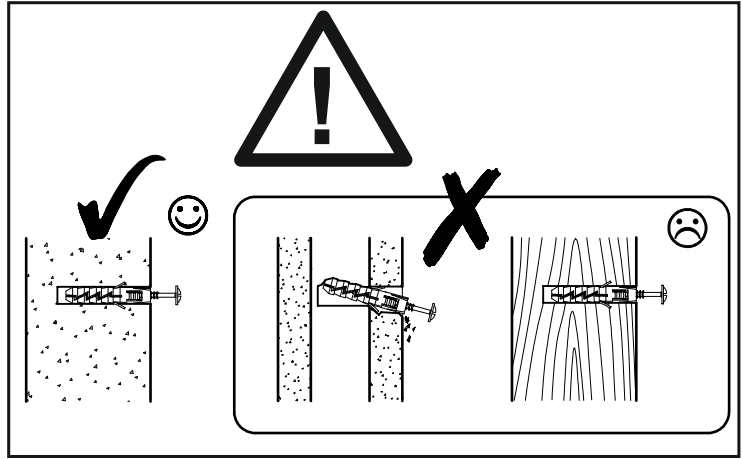
B



9



E0	H0	P5
		
8x50		
x4	x2	x2



10

