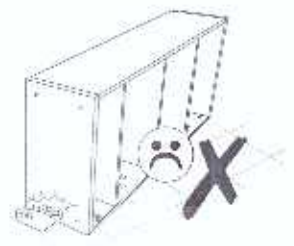
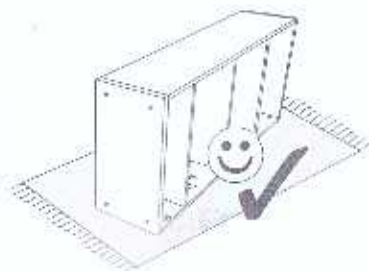
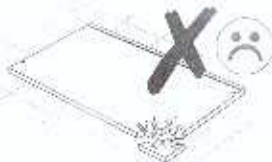
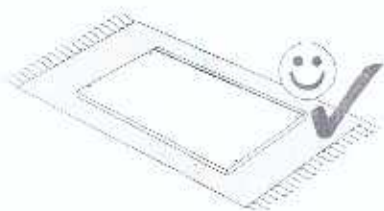
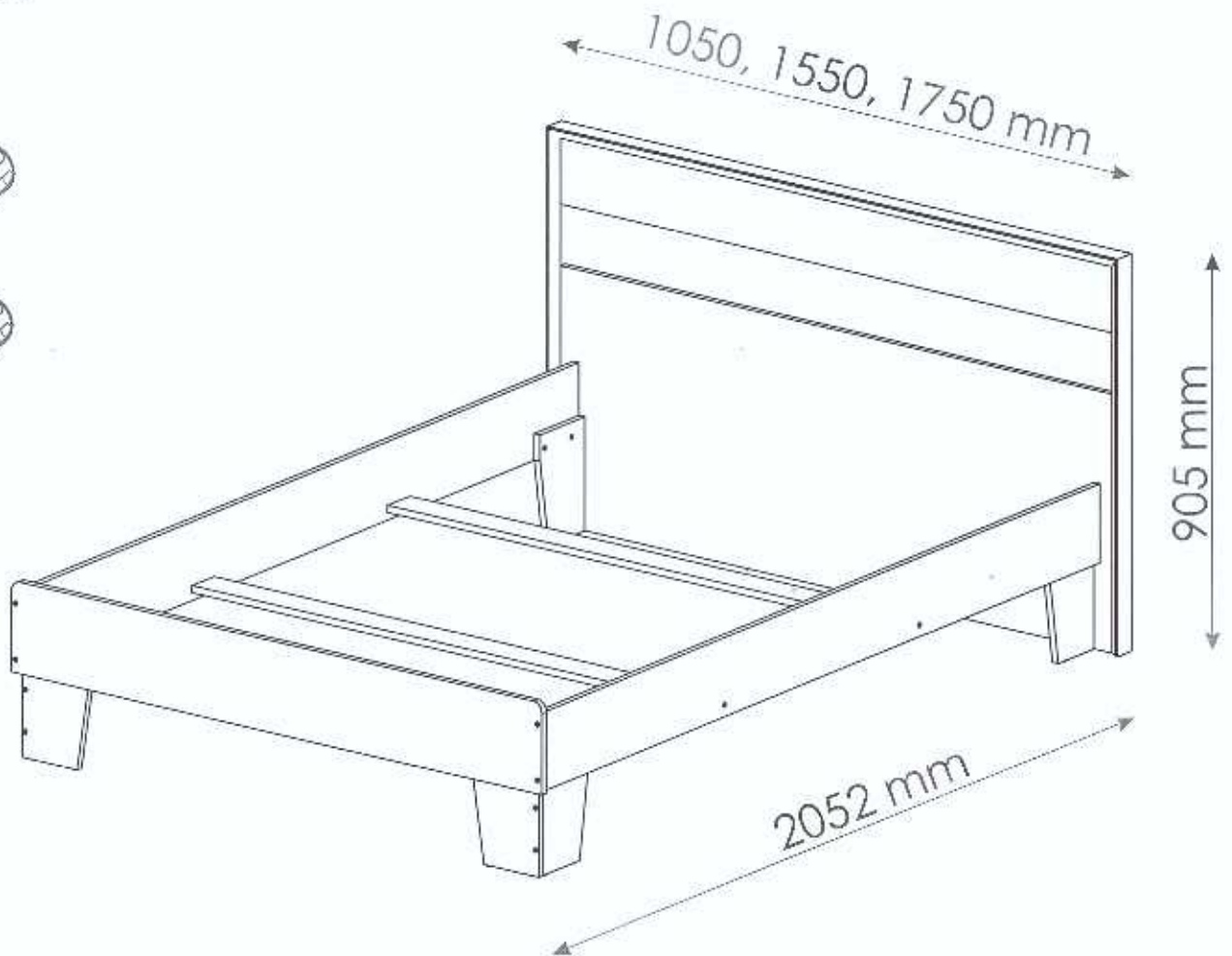
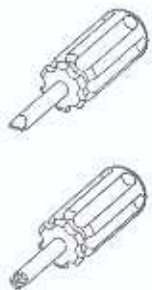
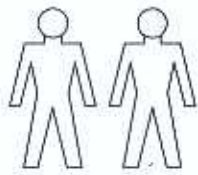




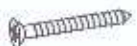

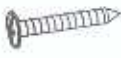


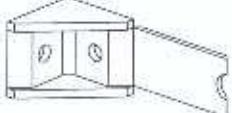
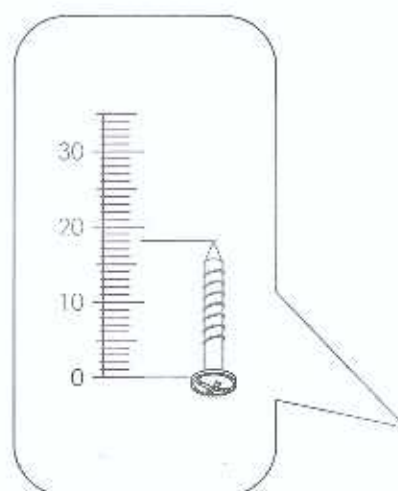


SCARLET Bed 90, 140, 160



SCARLET Bed 90, 140, 160

B0  x4 x8	B1 17 x 50 mm x18 	C2 x13 (90) x12 
C7 x13 (90) x12 16 mm 	D1 3 x 25 mm x12 (90) x8 	D10 4 x 16 mm x4 
D16 4,2 x 28 mm x12 	K x1 4mm 	T3 x14 
 x2		



SCARLET Bed 90, 140, 160

90

1	1000	590	16 x1	1/2
2	1000	150	16 x1	1/2
3	900	80	16 x2	1/2
4	940	210	16 x1	1/2
5	260	180	16 x2	1/2
6	1013	200	16 x1	1/2
7	260	160	16 x2	1/2
8	260	160	16 x2	1/2
9	2000	180	16 x1	2/2
10	905	55	25 x1	2/2
11	905	55	25 x1	2/2
12	1050	55	25 x1	2/2
				1/2

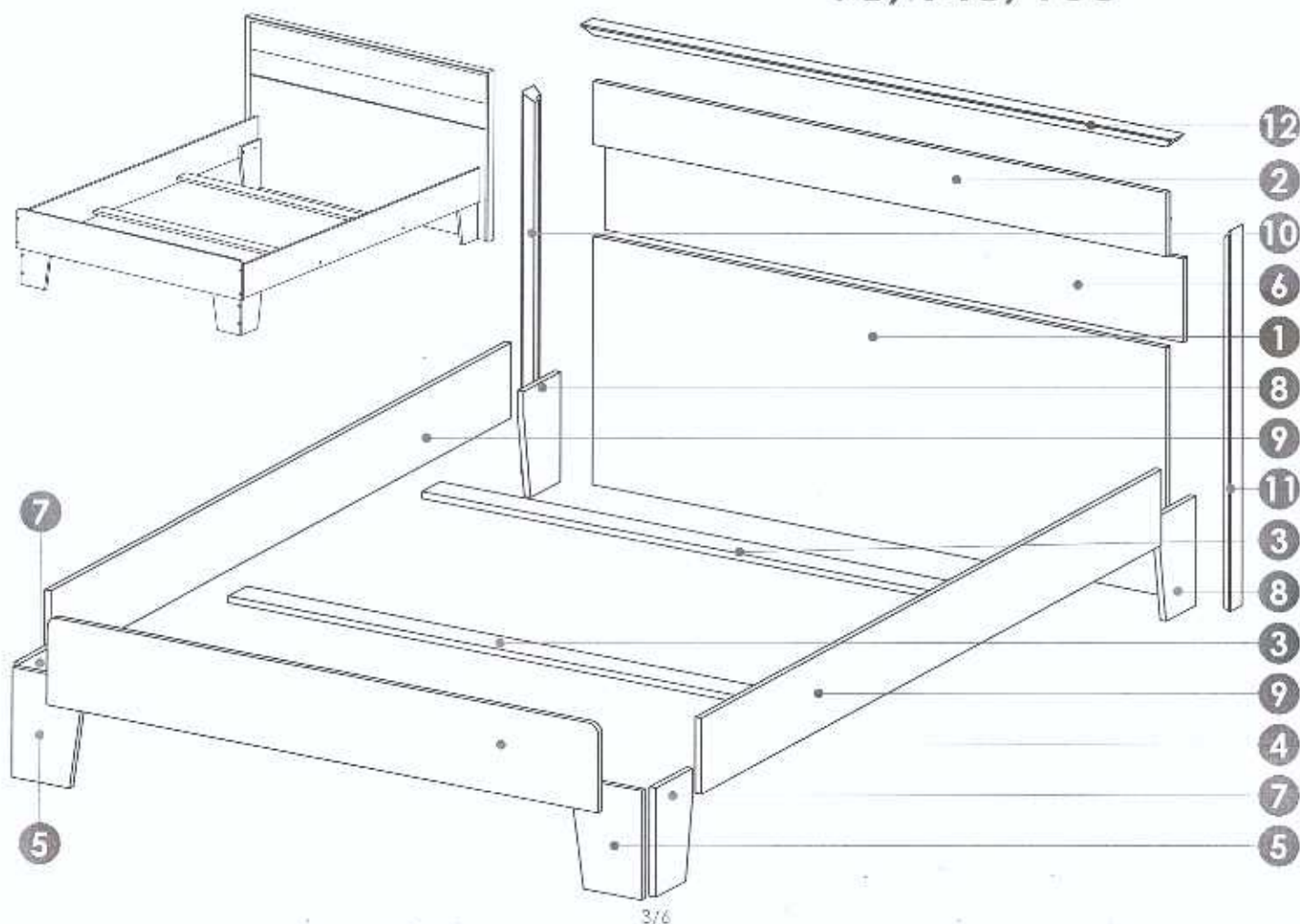
140

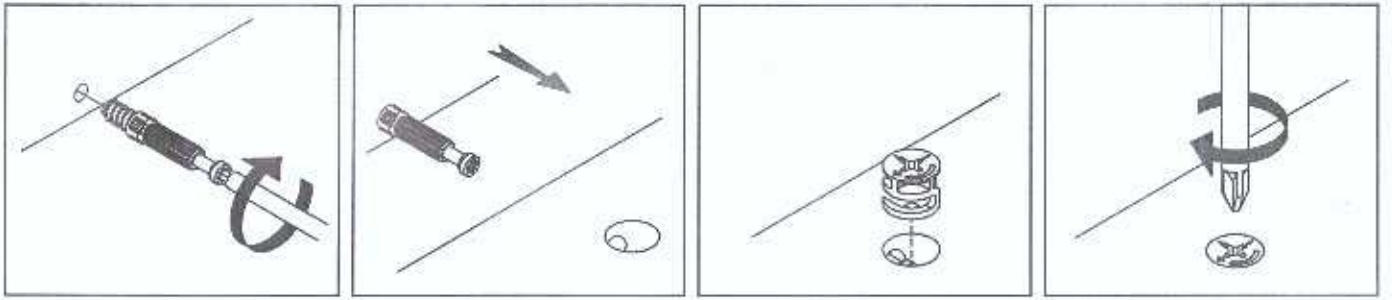
1	1500	590	16 x1	1/2
2	1500	150	16 x1	1/2
3	1400	80	16 x2	1/2
4	1440	210	16 x1	1/2
5	260	180	16 x2	1/2
6	1513	200	16 x1	1/2
7	260	160	16 x2	1/2
8	260	160	16 x2	1/2
9	2000	180	16 x1	2/2
10	905	55	25 x1	2/2
11	905	55	25 x1	2/2
12	1050	55	25 x1	2/2
				1/2

160

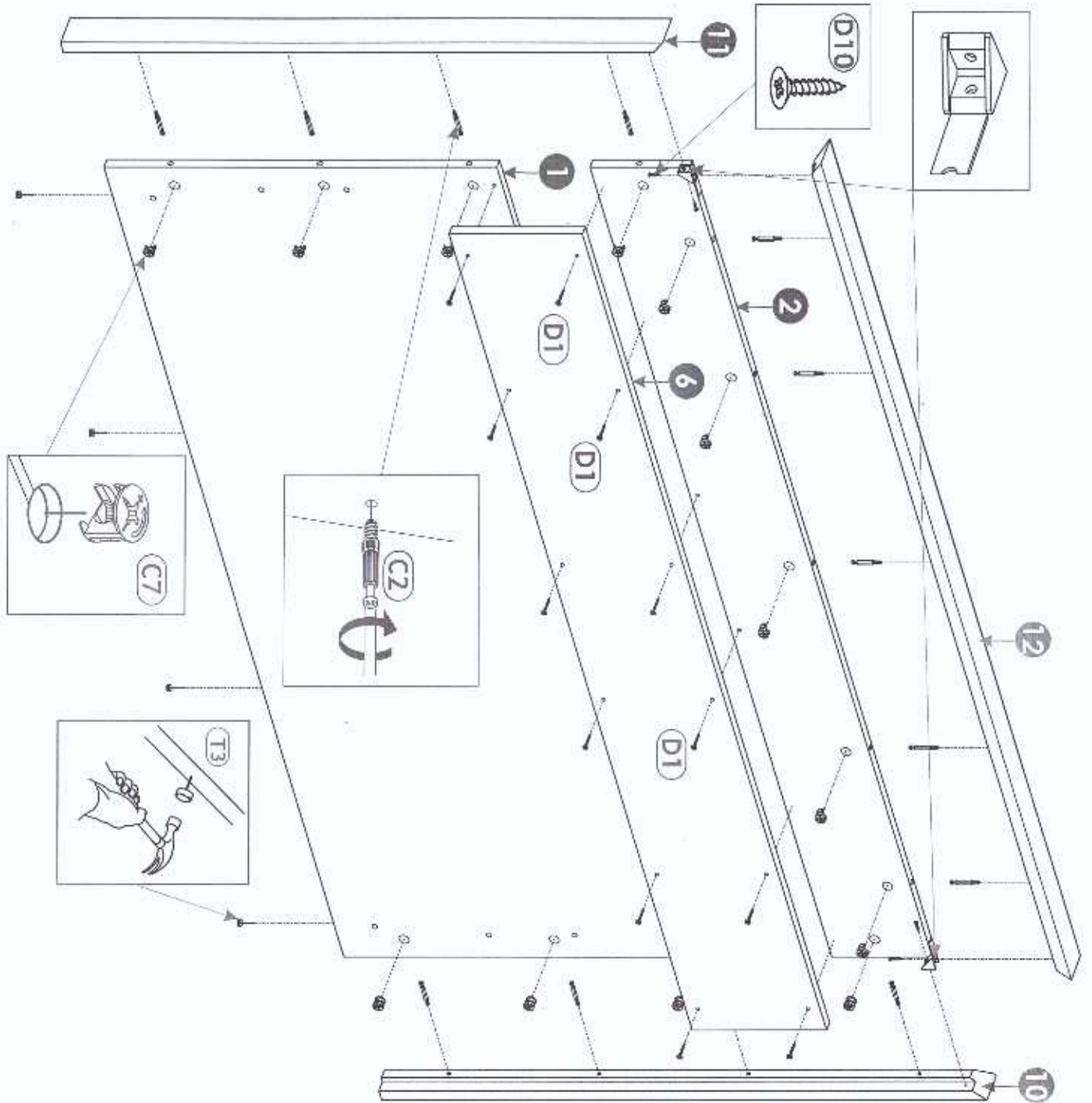
1	1700	590	16 x1	1/2
2	1700	150	16 x1	1/2
3	1600	80	16 x2	1/2
4	1640	210	16 x1	1/2
5	260	180	16 x2	1/2
6	1713	200	16 x1	1/2
7	260	160	16 x2	1/2
8	260	160	16 x2	1/2
9	2000	180	16 x1	2/2
10	905	55	25 x1	2/2
11	905	55	25 x1	2/2
12	1050	55	25 x1	2/2
				1/2

90/140/160

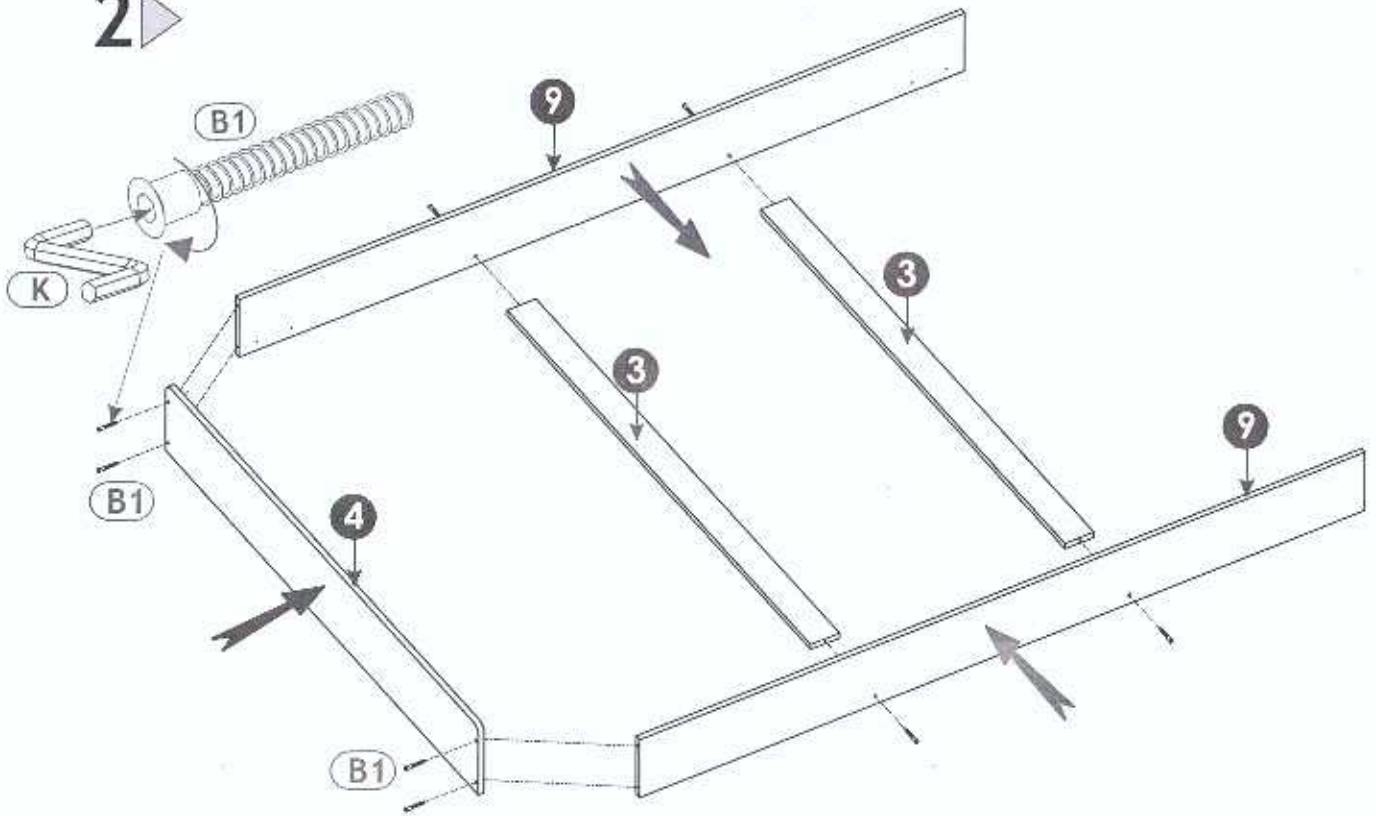




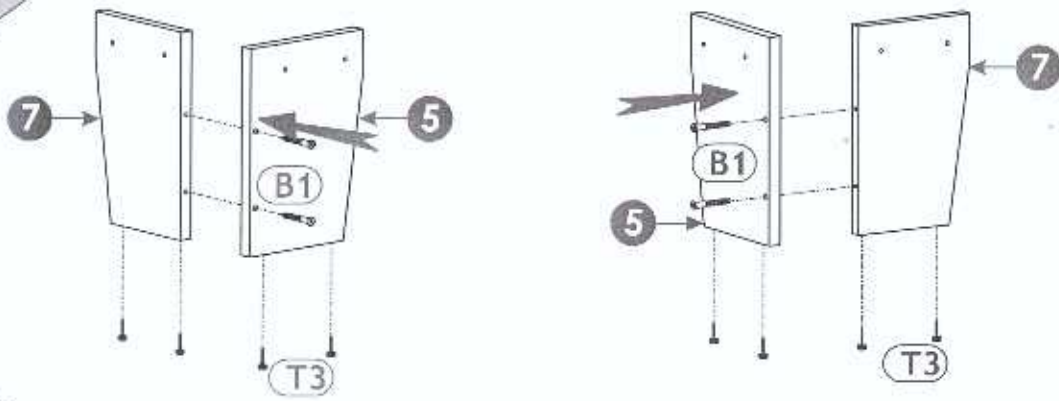
1 ▶



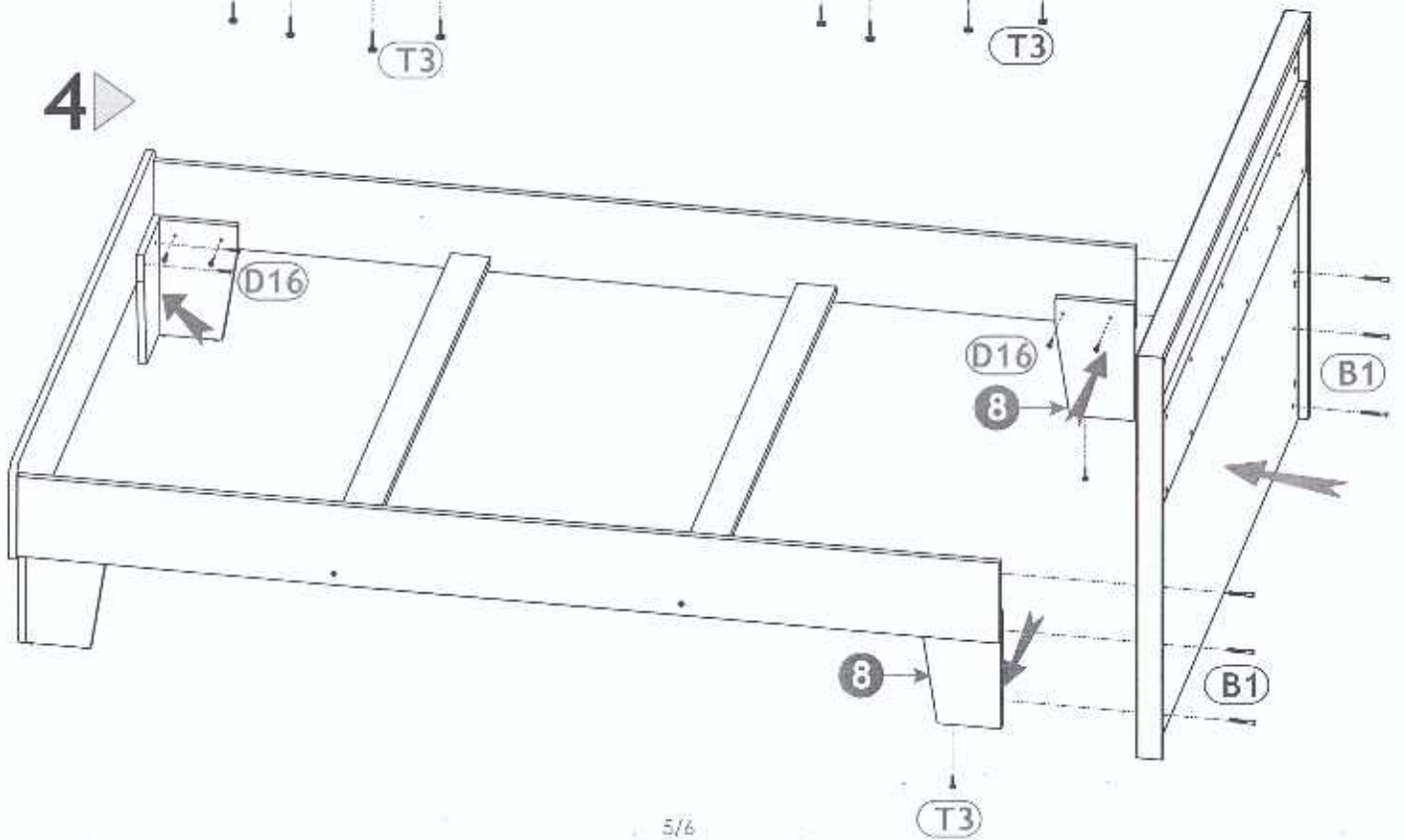
2 ▶

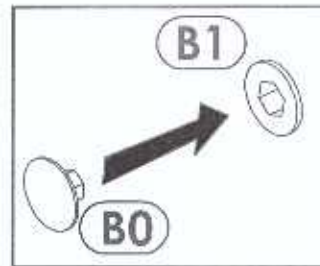
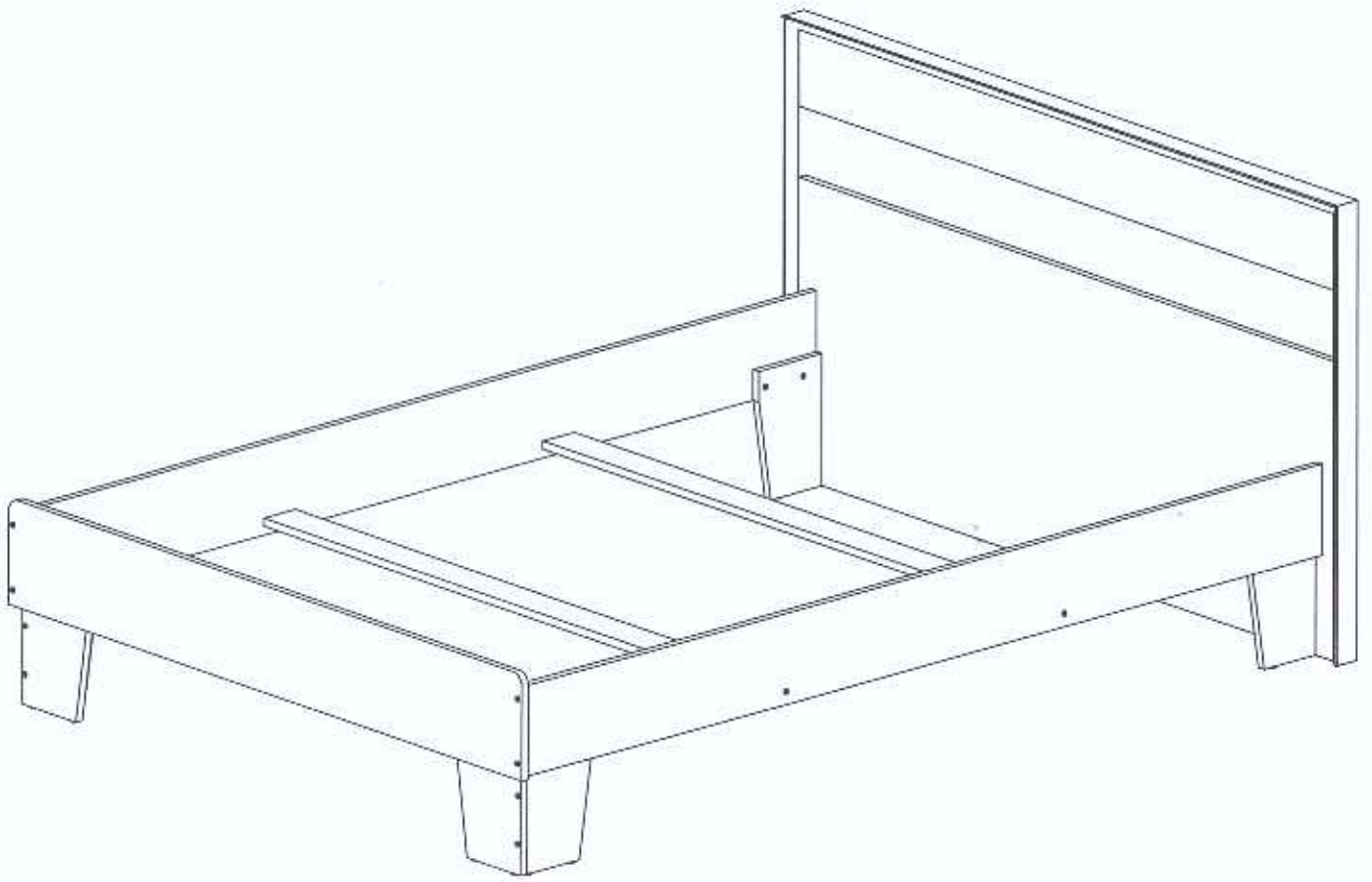


3 ▶

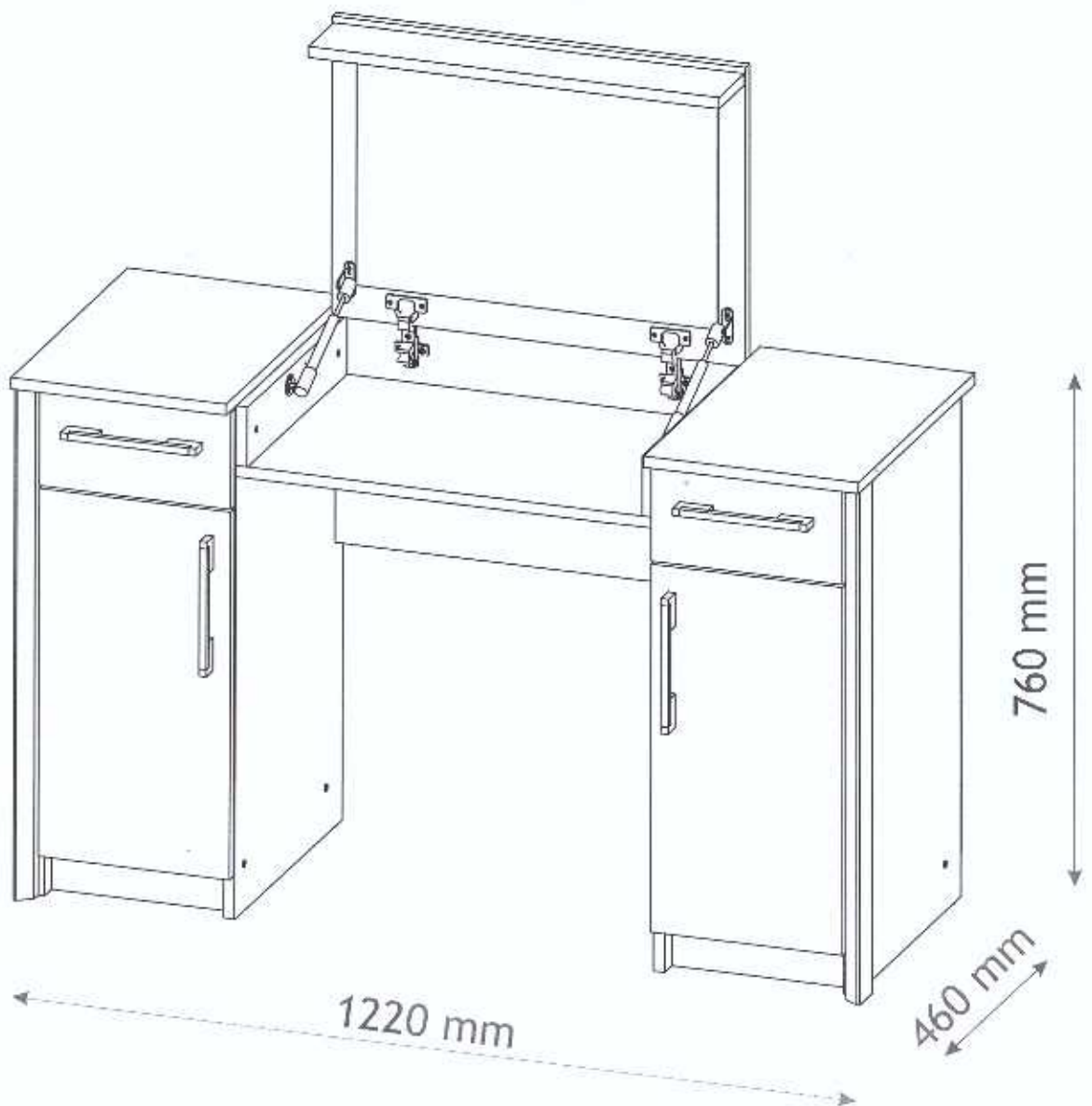
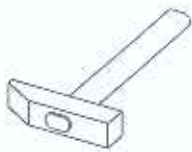
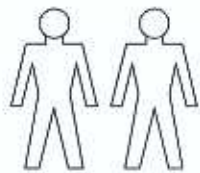


4 ▶










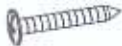
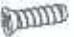





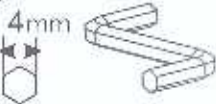


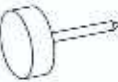
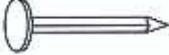
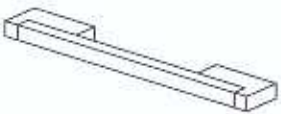



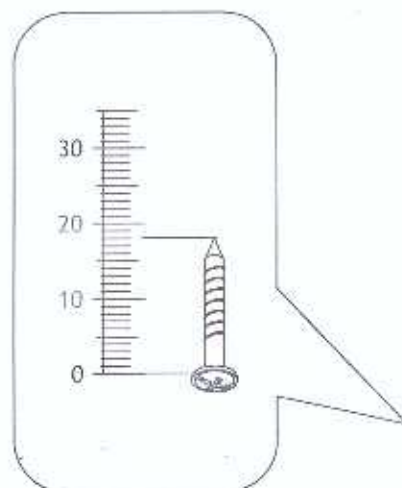
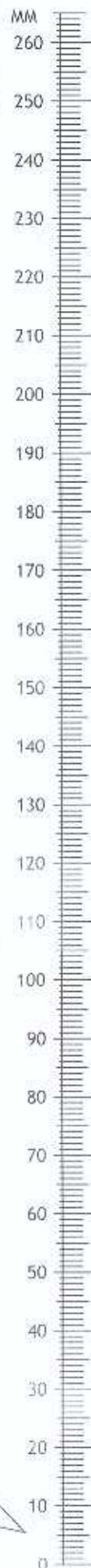


SCARLET Dressing table



SCARLET Dressing table

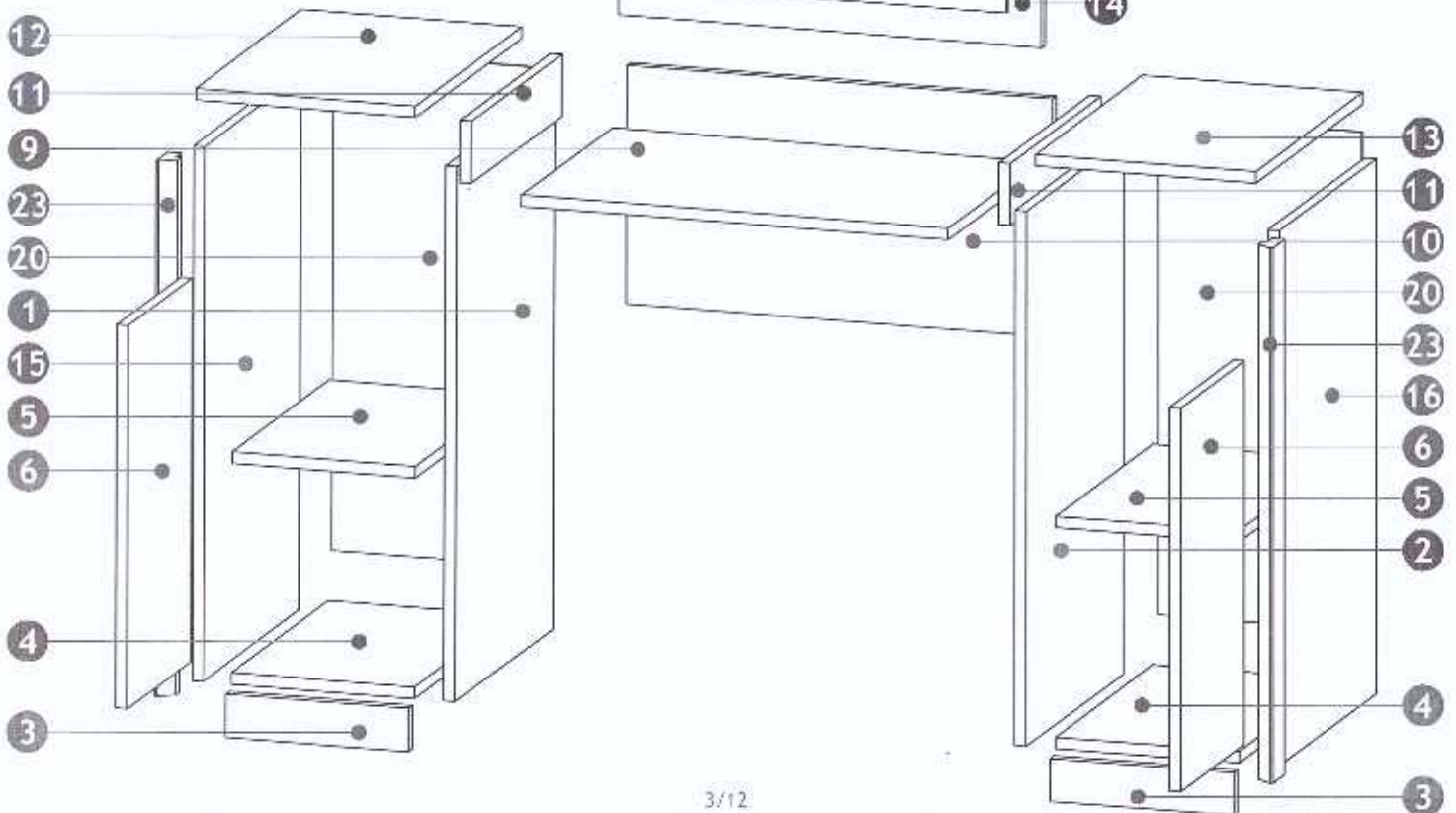
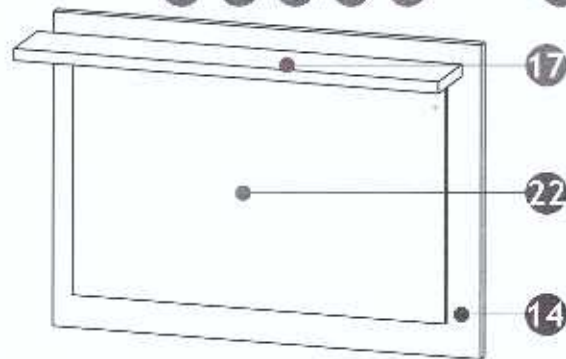
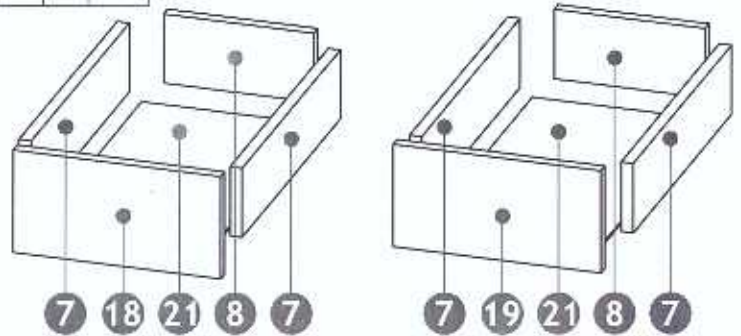
A0 8 x 32mm x30 	B0  x8	B1 f 7 x 50 mm x24 
C2  x2	C7 16 mm  x2	C17  x4
D0 3 x 15 mm x8 	D1 3 x 25 mm x6 	D10 4 x 16 mm x12 
D16 4,2 x 28 mm x8 	D21 5 x 13 mm x22 	D30 6,3 x 13 mm x12 
I1  x4	I6  x4	J2  x2
 x2	K 4mm  x1	N8  L-400mm x2
Q0  x8	T3  x12	T8  x70
 x4	 x2	



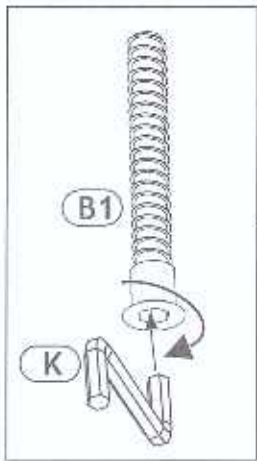
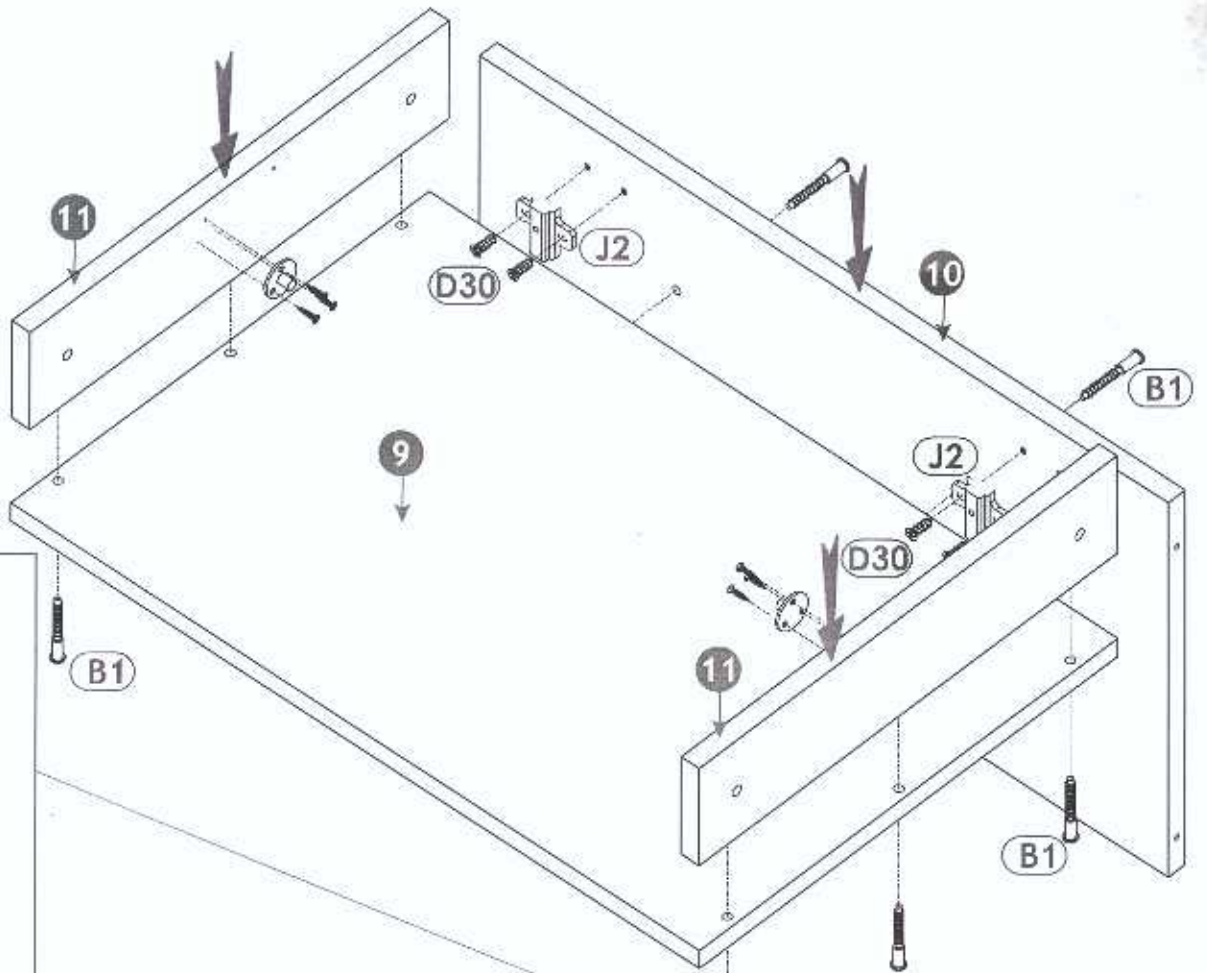
SCARLET Dressing table

1	740	420	16	x1	1/1
2	740	420	16	x1	1/1
3	258	60	16	x2	1/1
4	258	420	16	x2	1/1
5	258	420	16	x2	1/1
6	530	276	16	x2	1/1
7	400	95	16	x4	1/1
8	200	95	16	x2	1/1
9	600	390	16	x1	1/1
10	600	330	16	x1	1/1
11	390	86	16	x2	1/1
12	312	461	16	x1	1/1
13	312	461	16	x1	1/1
14	596	430	16	x1	1/1
15	740	420	16	x1	1/1
16	740	420	16	x1	1/1
17	592	100	16	x1	1/1

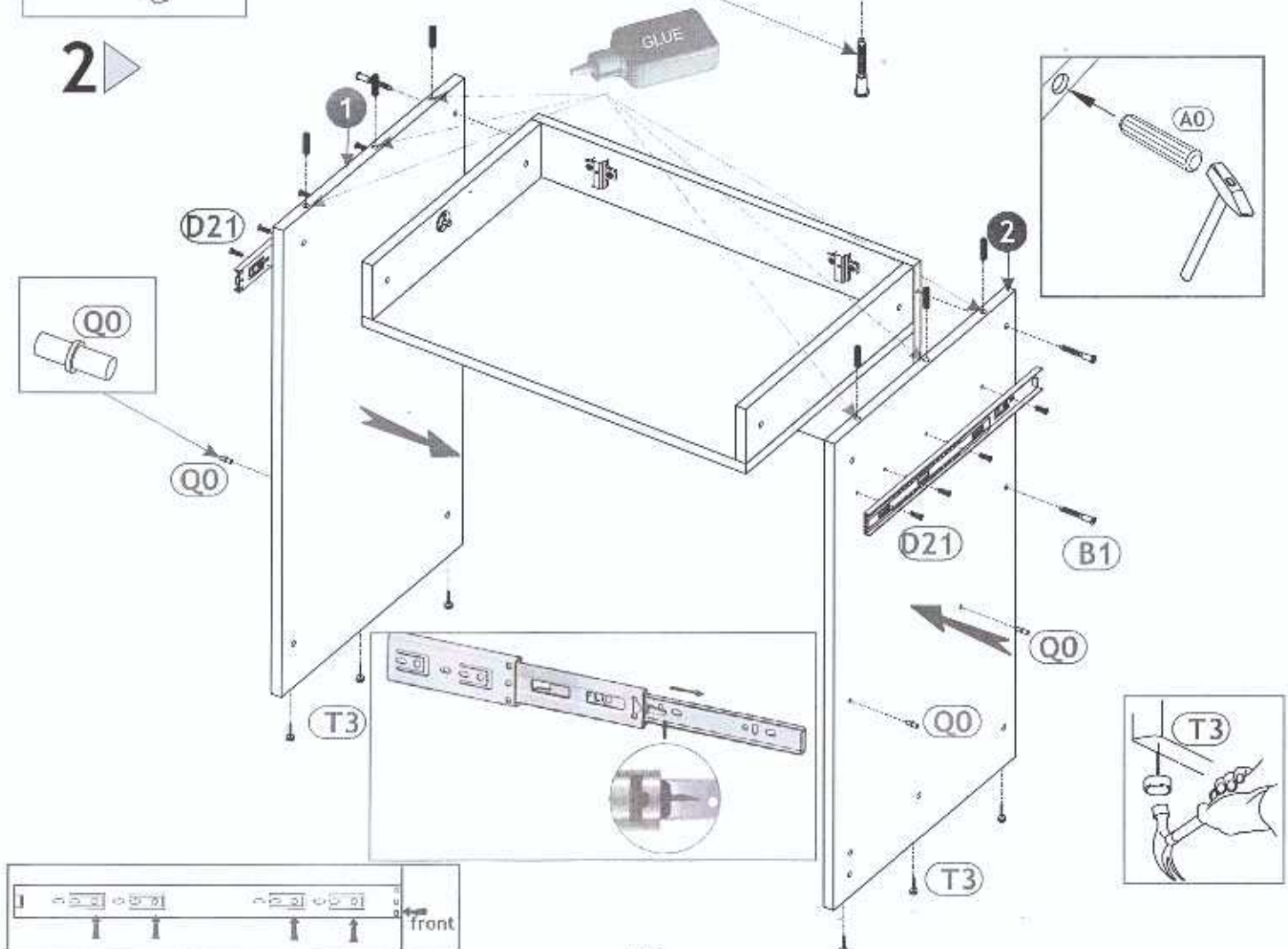
18	276	140	16	x1	1/1
19	276	140	16	x1	1/1
20	690	286	2,5	x2	1/1
21	405	230	2,5	x2	1/1
22	350	520	3	x1	
23	740	55	25	x2	1/1
					1/1

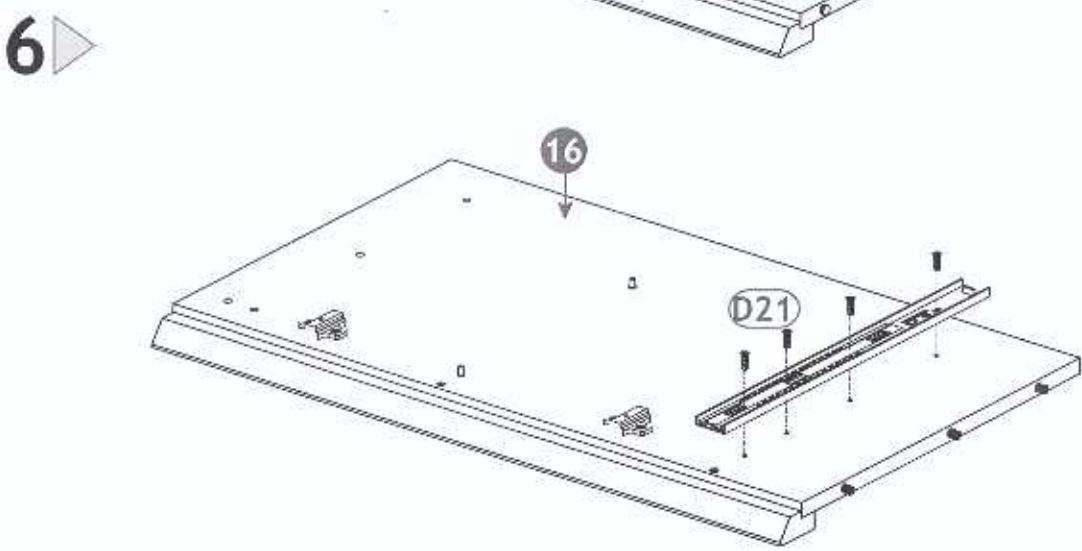
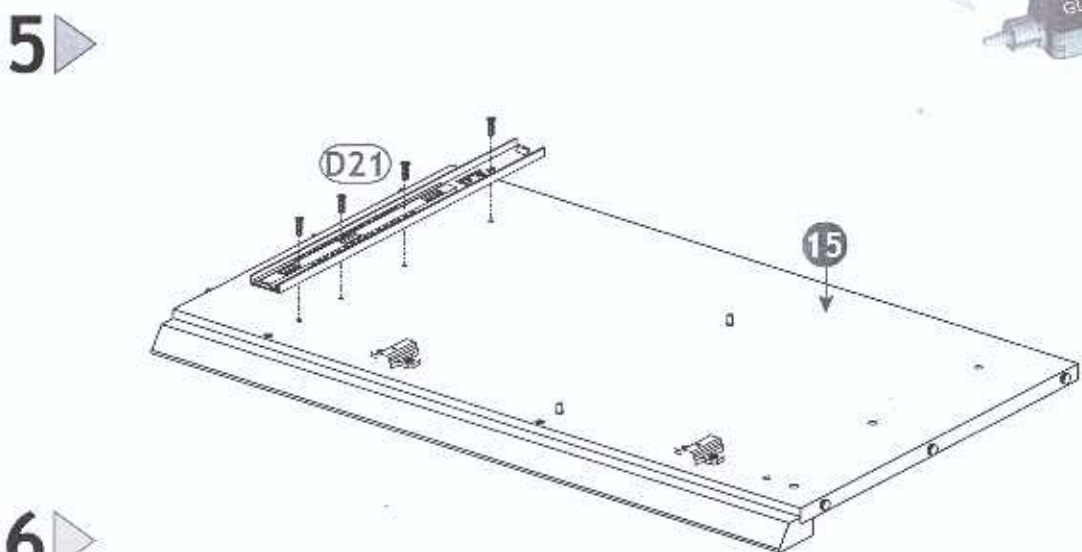
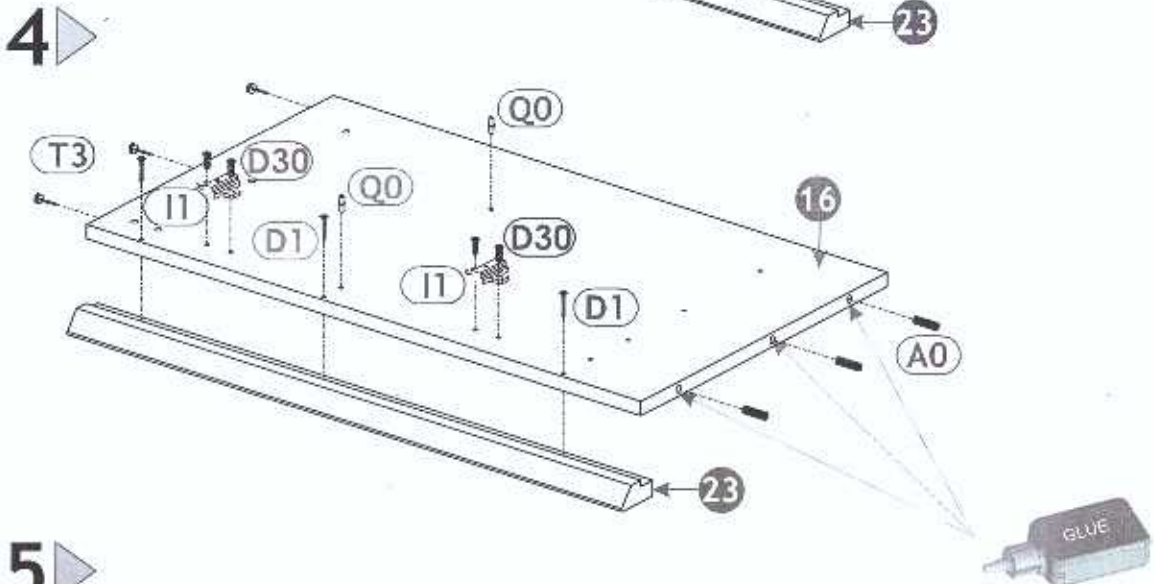
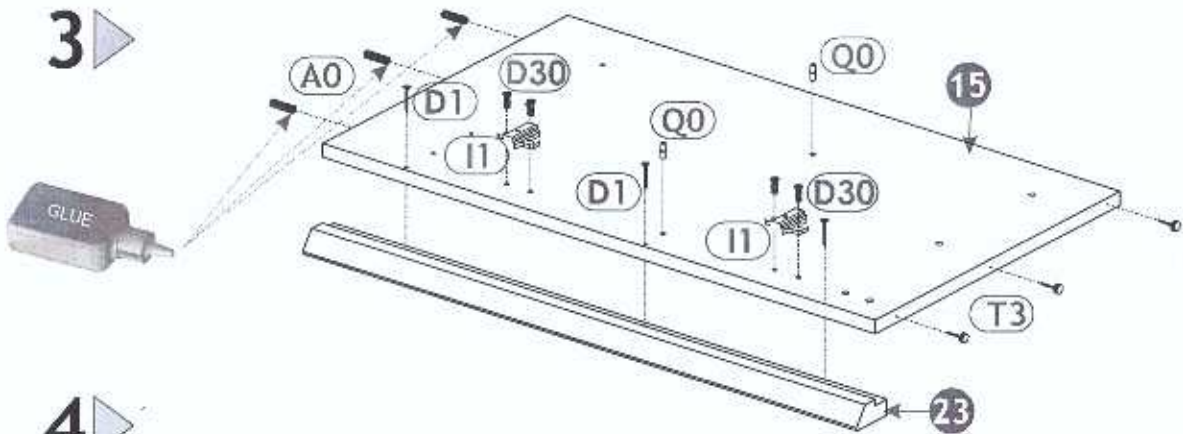


1 ▶

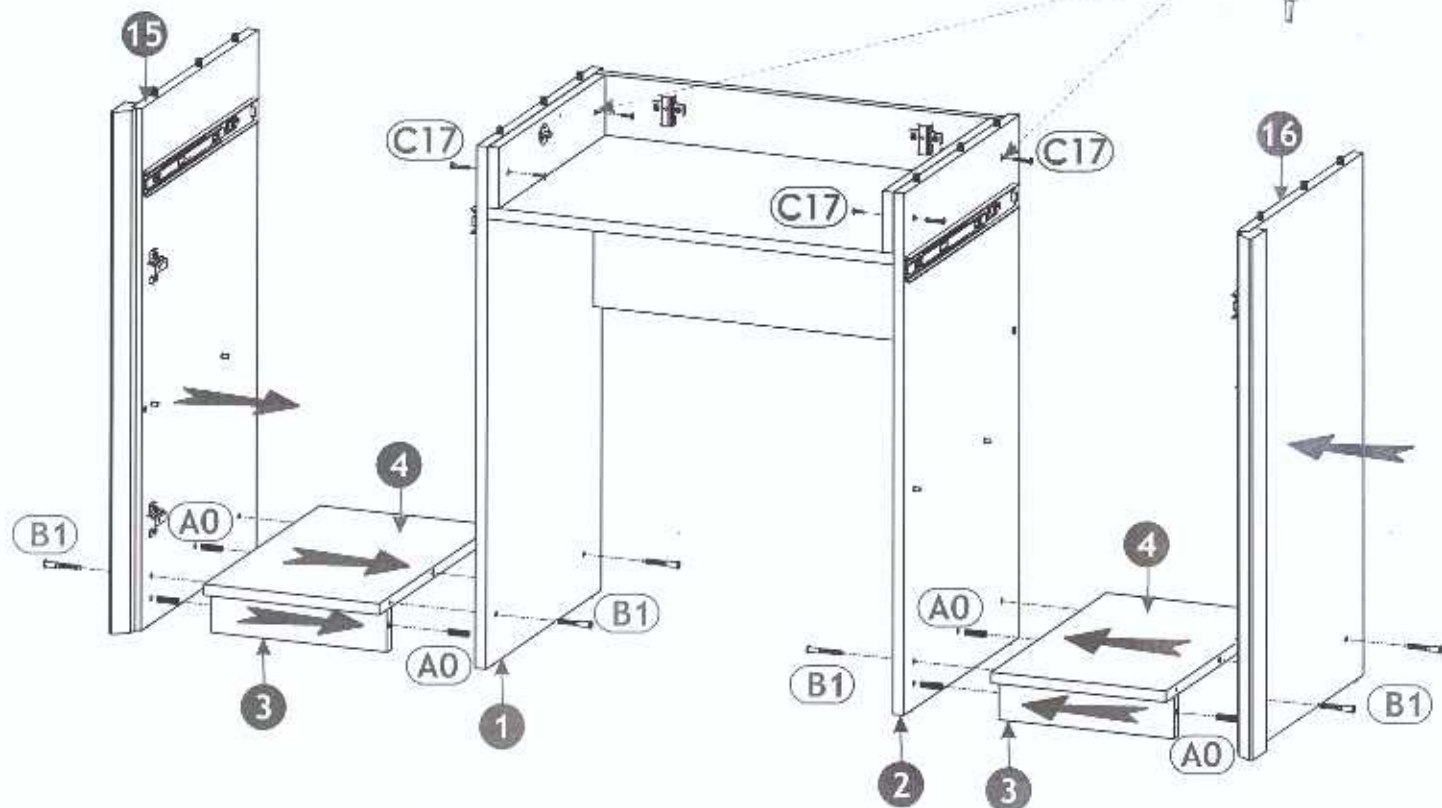
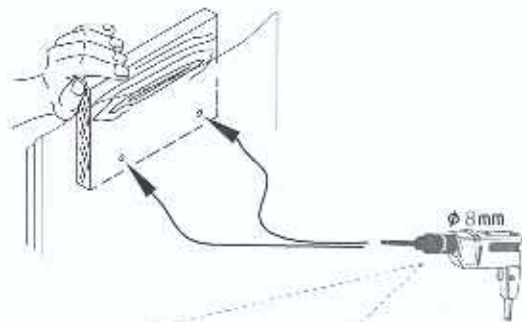
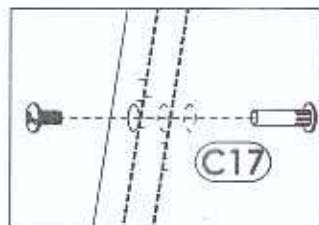


2 ▶

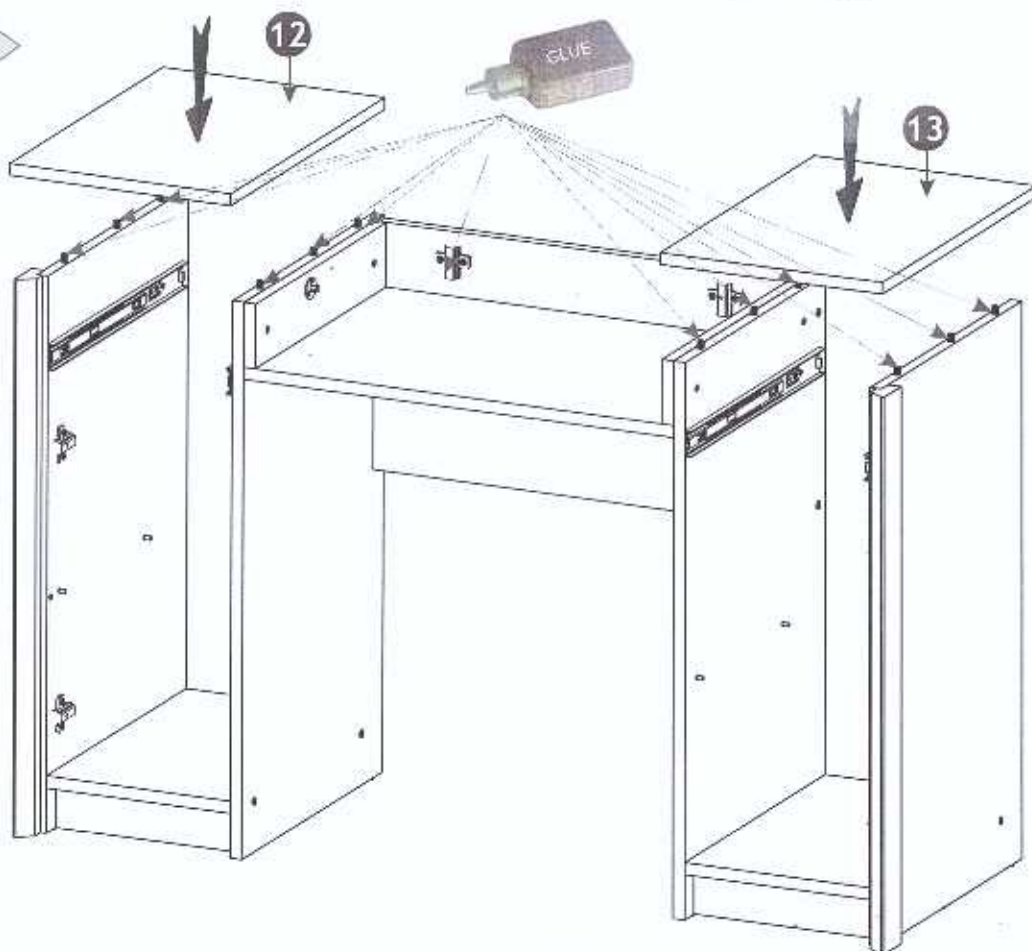




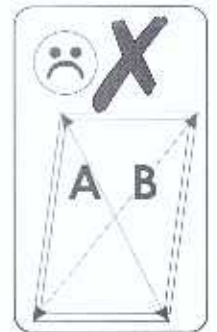
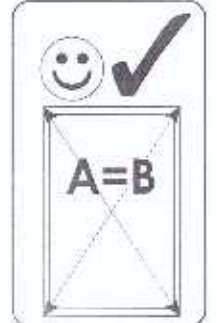
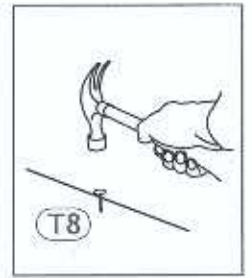
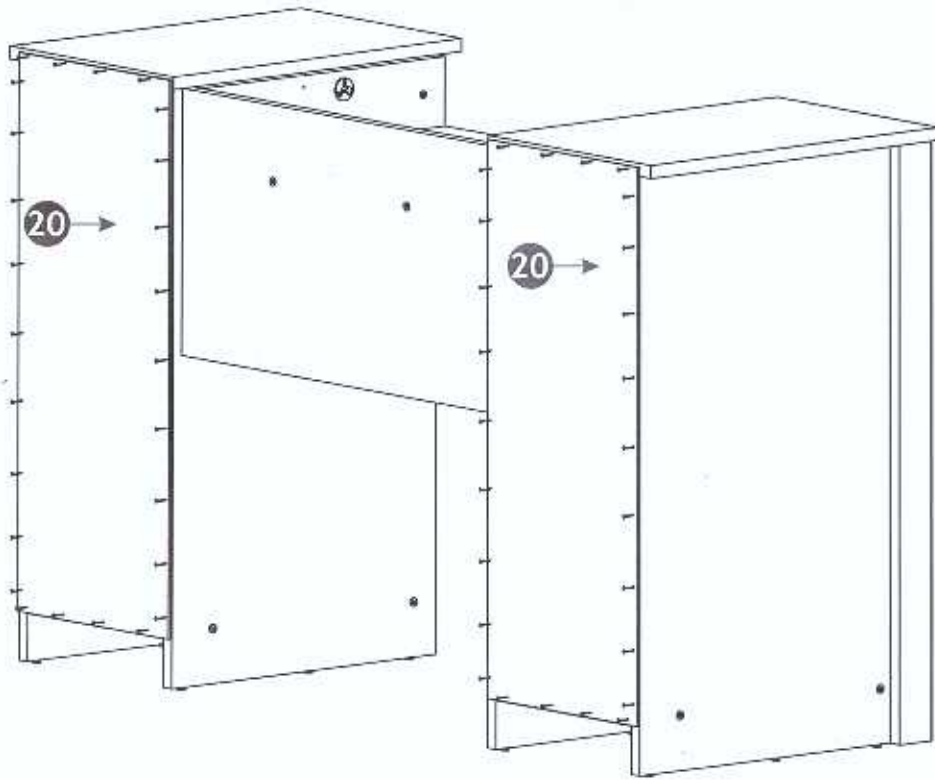
7 ▶



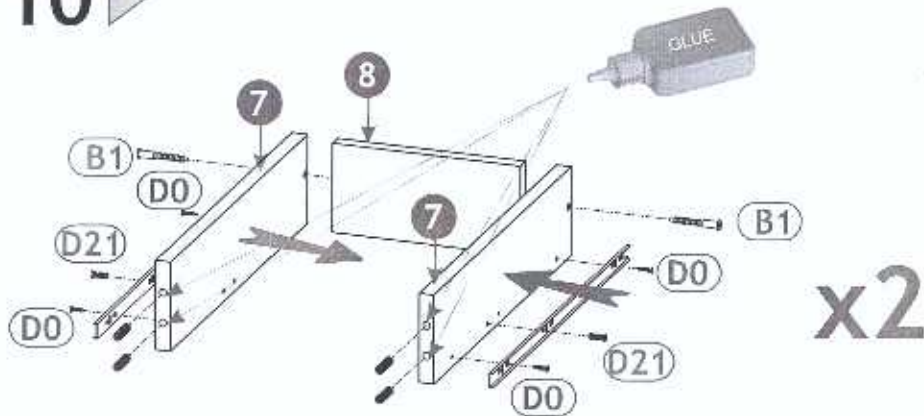
8 ▶



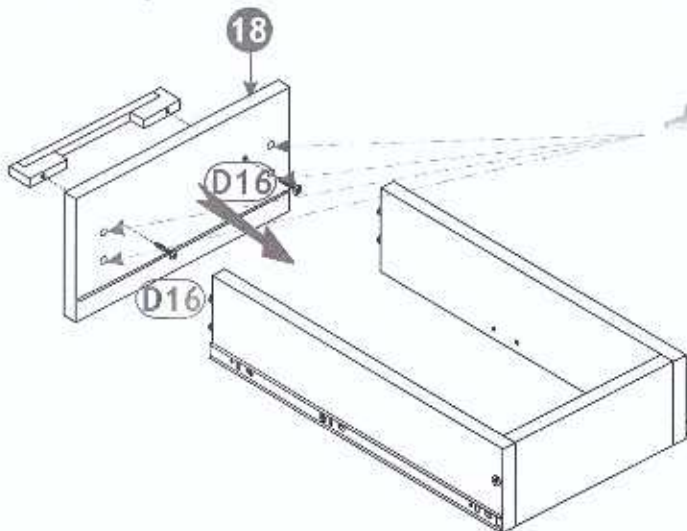
9 ▶



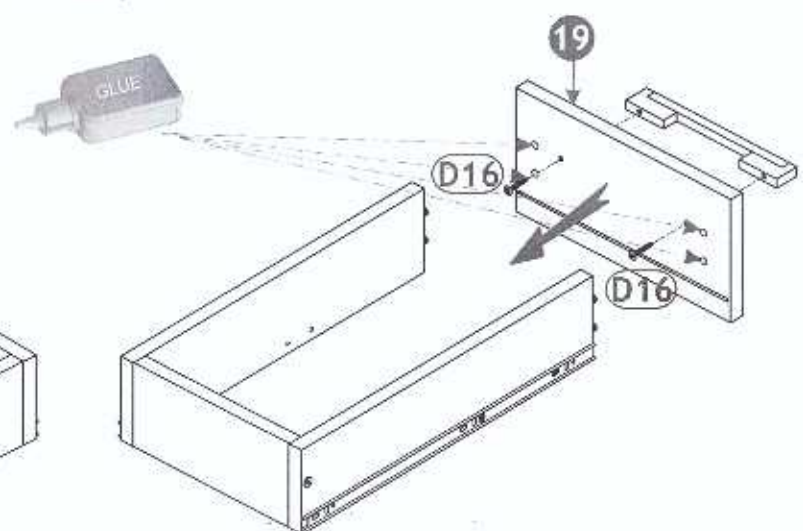
10 ▶



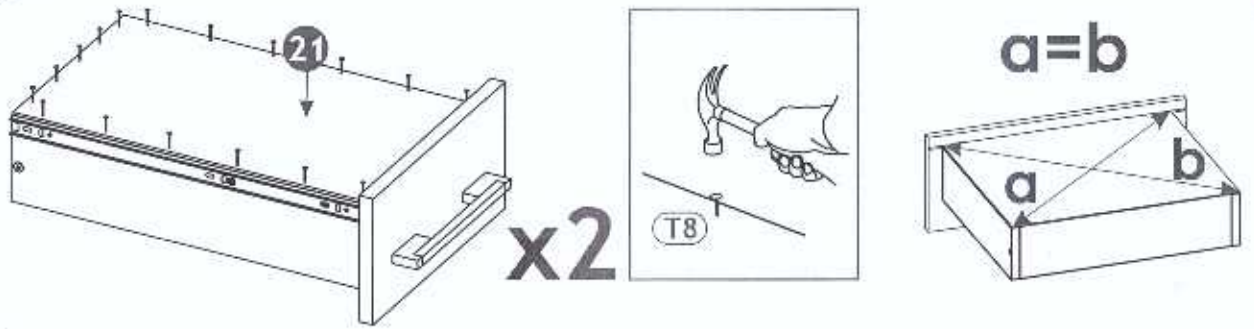
11 ▶



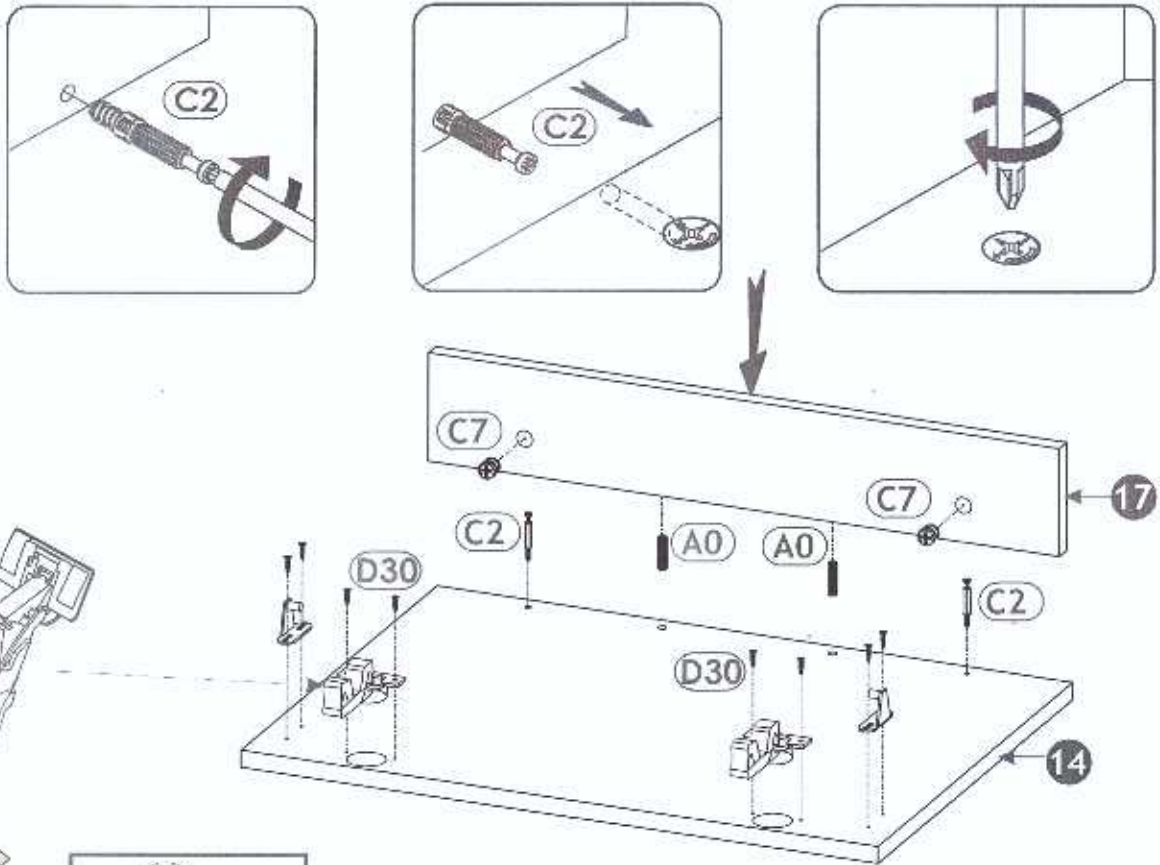
12 ▶



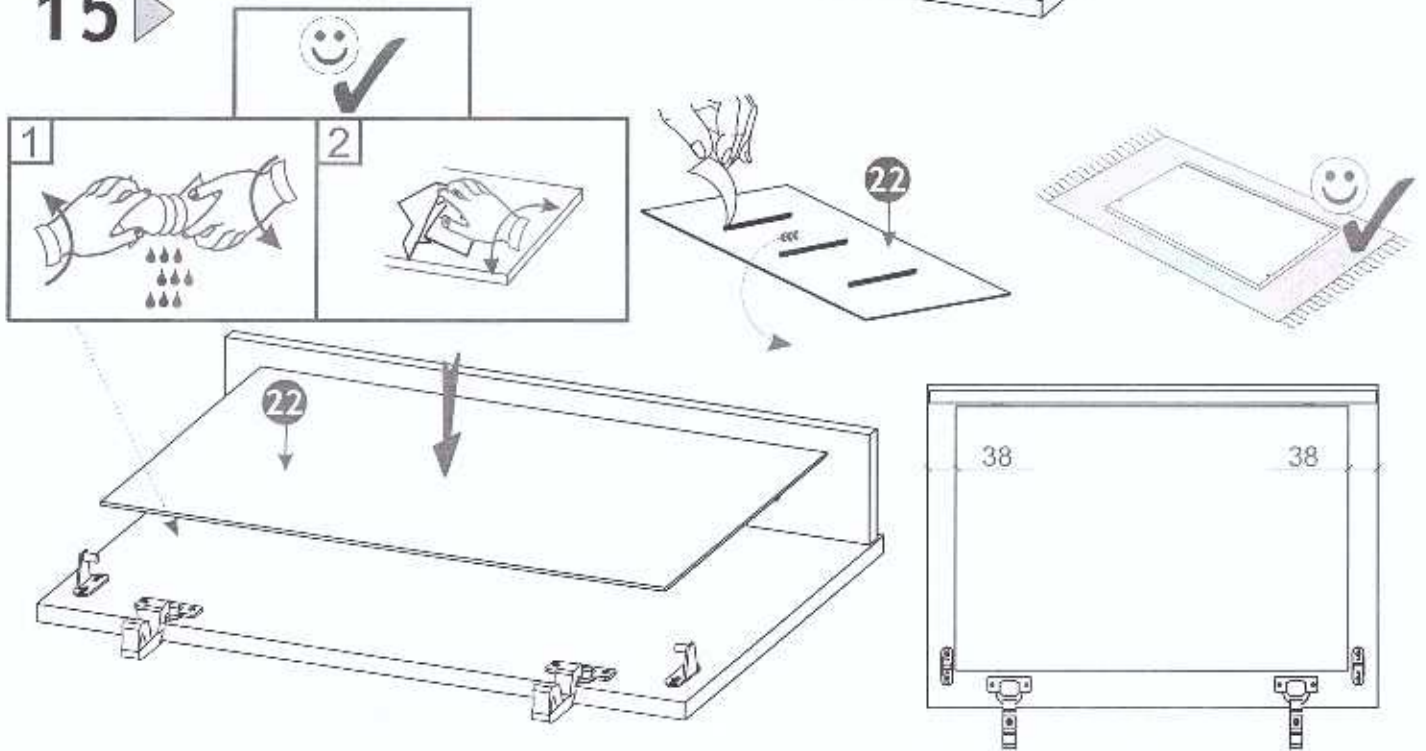
13 ▶



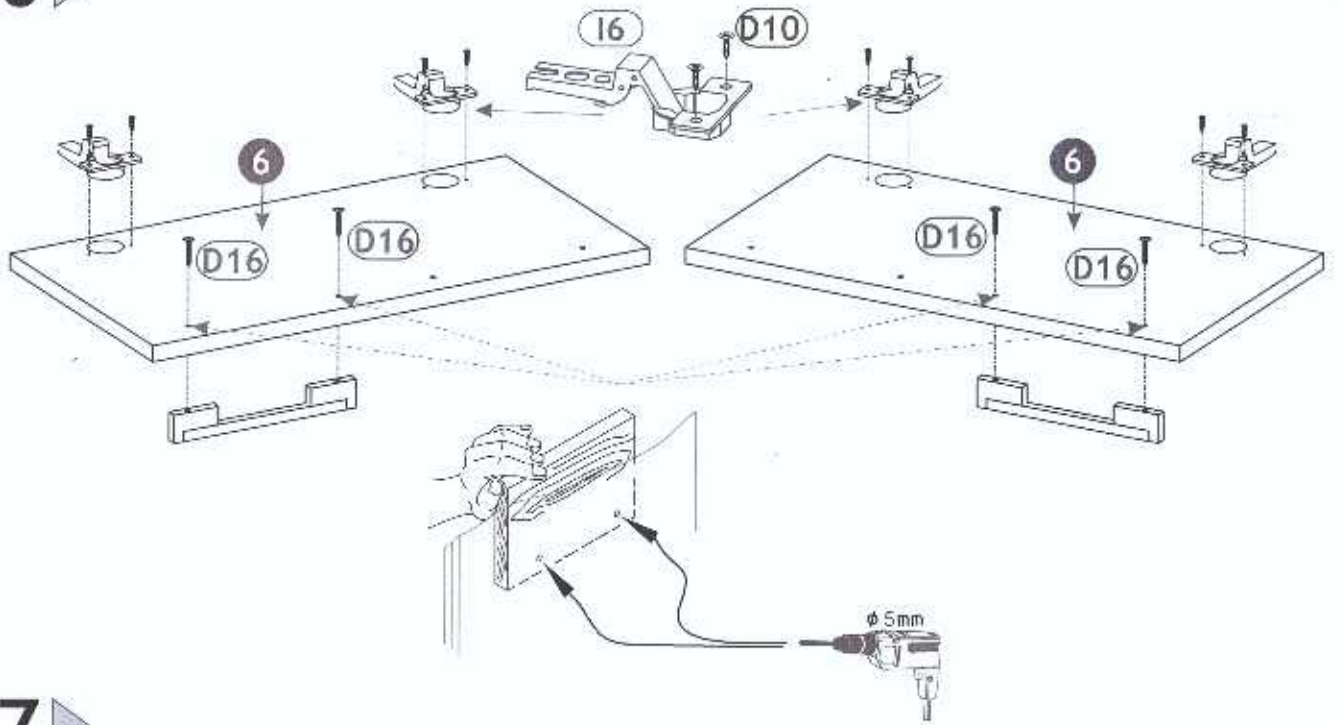
14 ▶



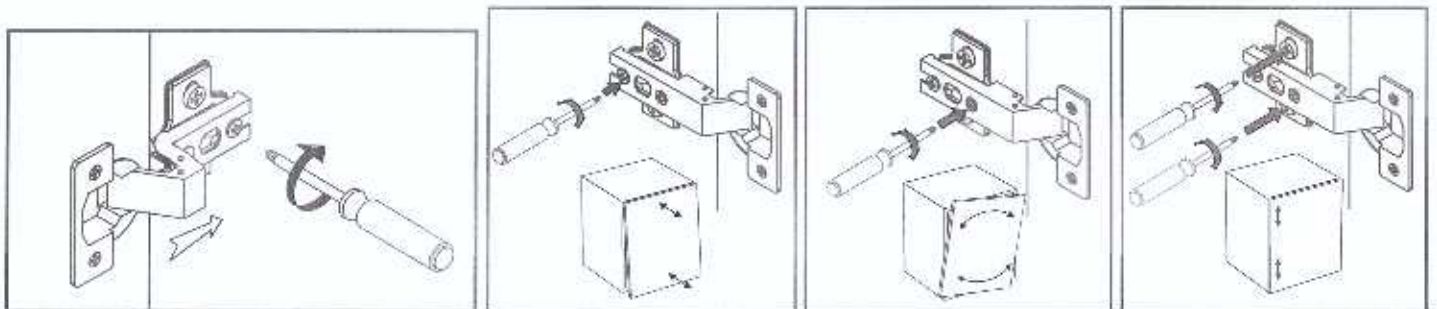
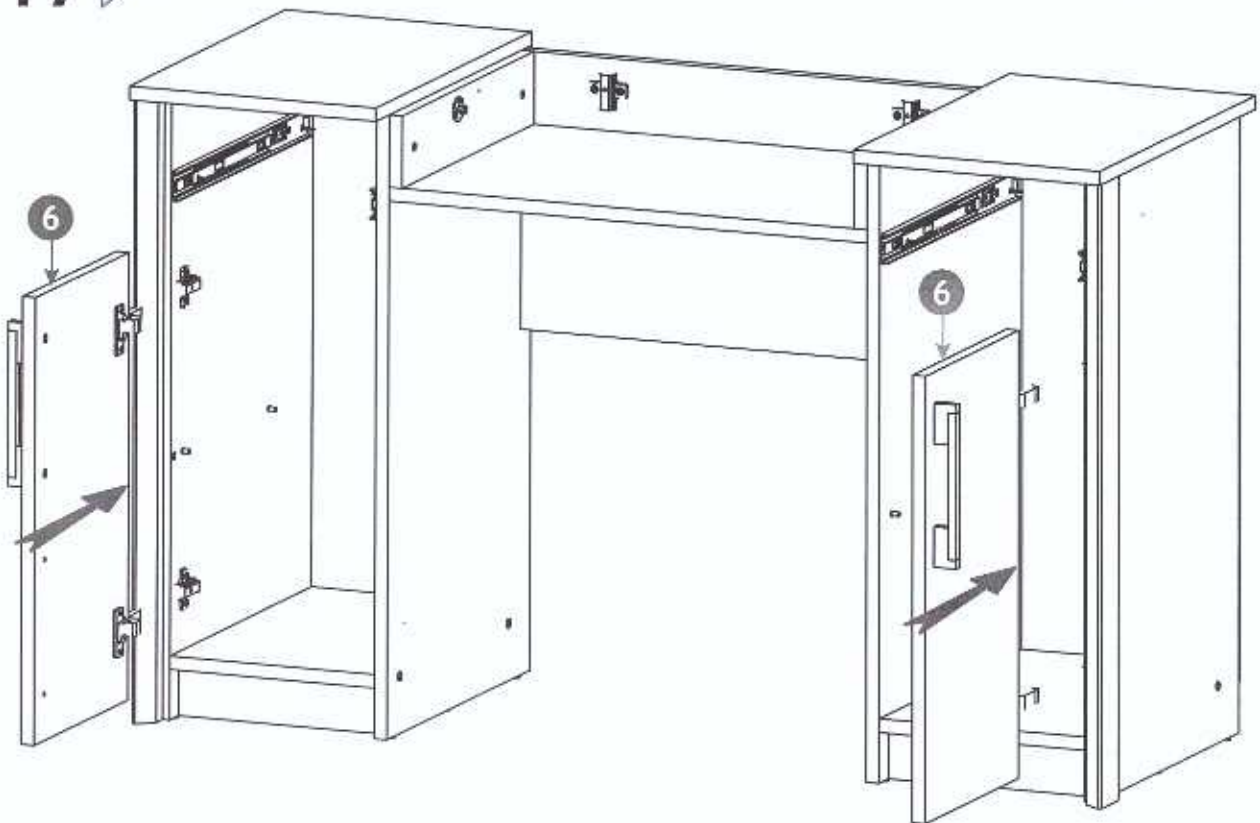
15 ▶



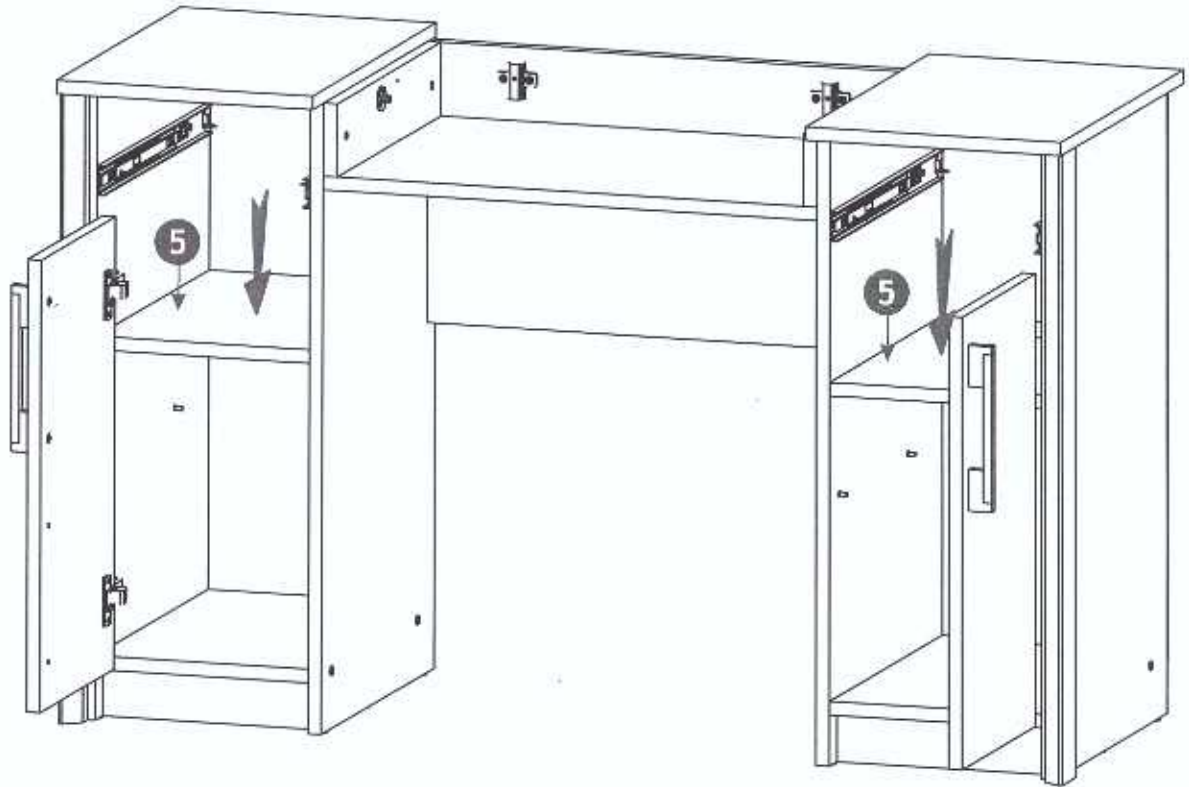
16 ▶



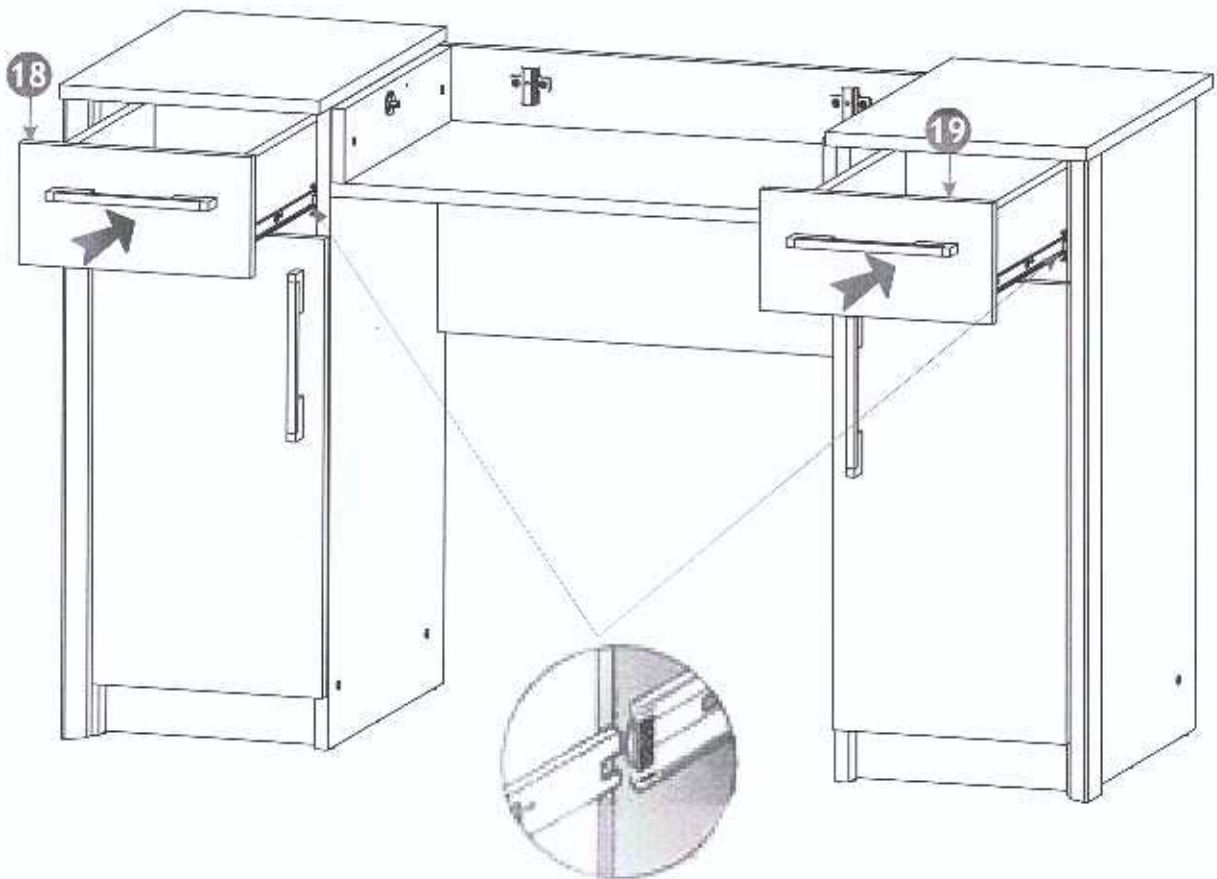
17 ▶



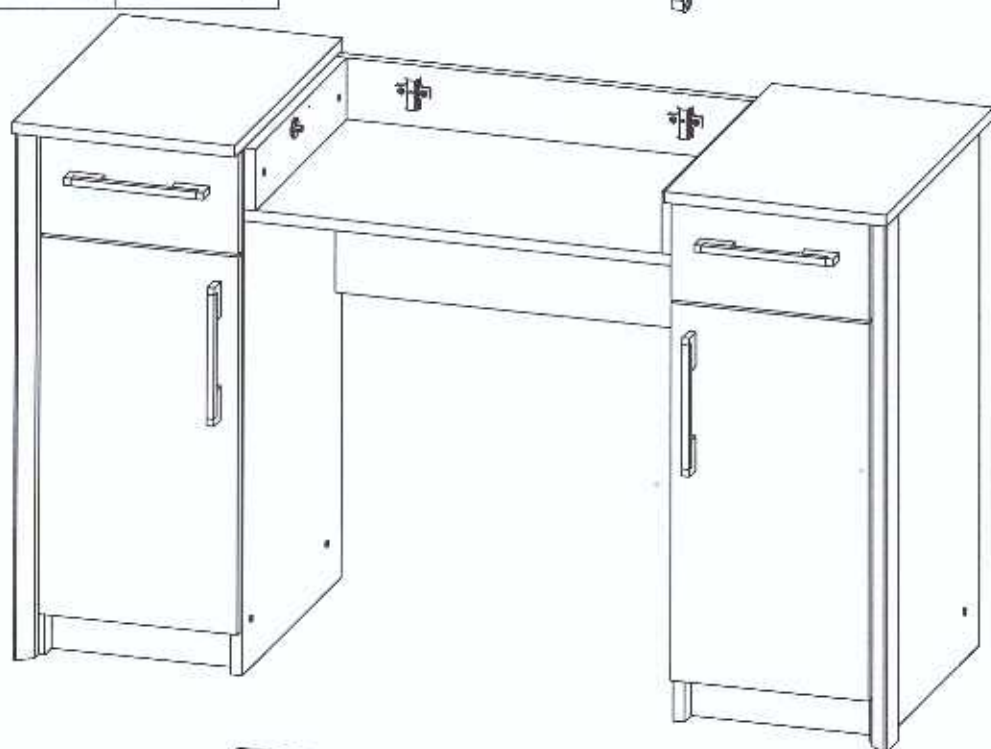
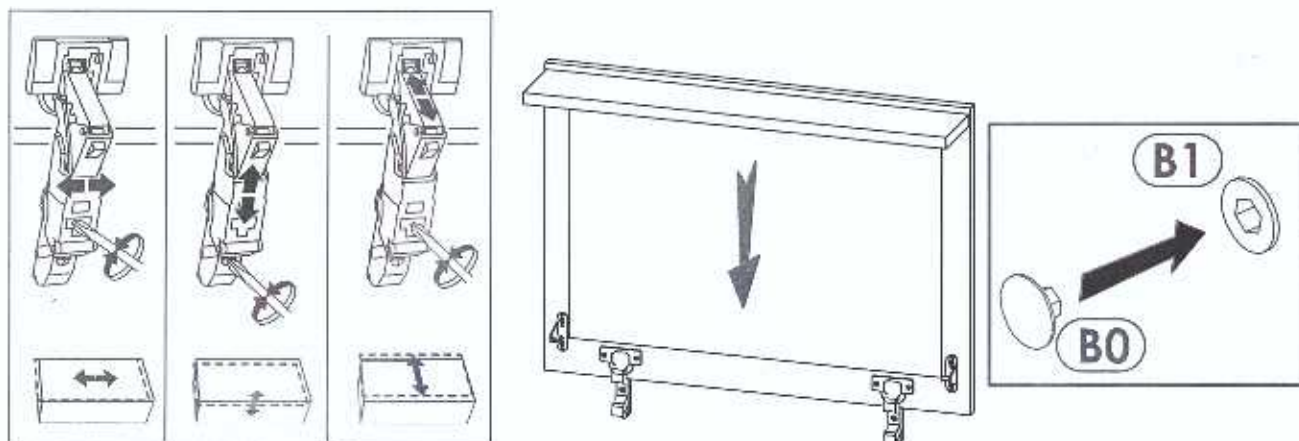
18 ▶



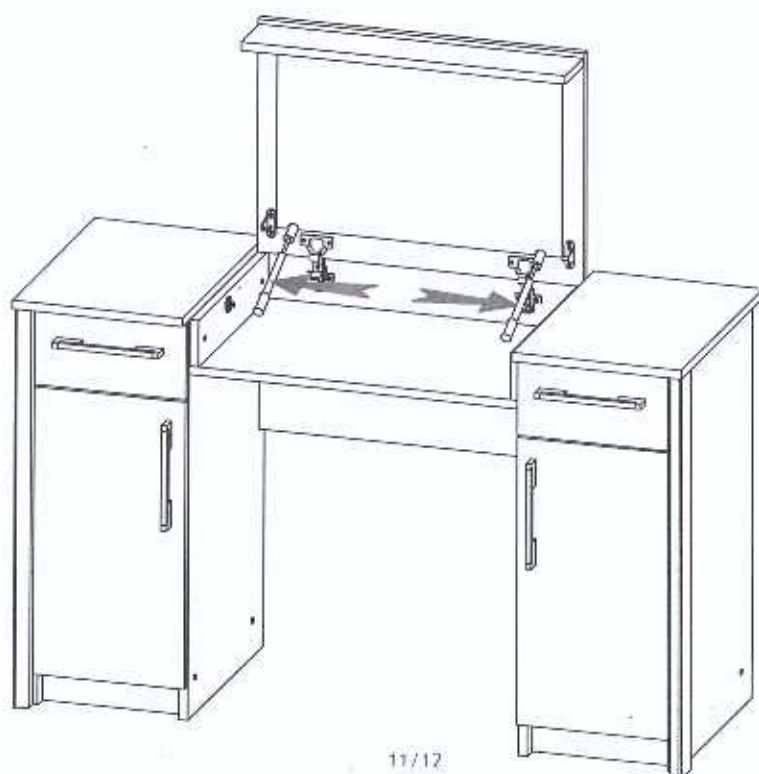
19 ▶

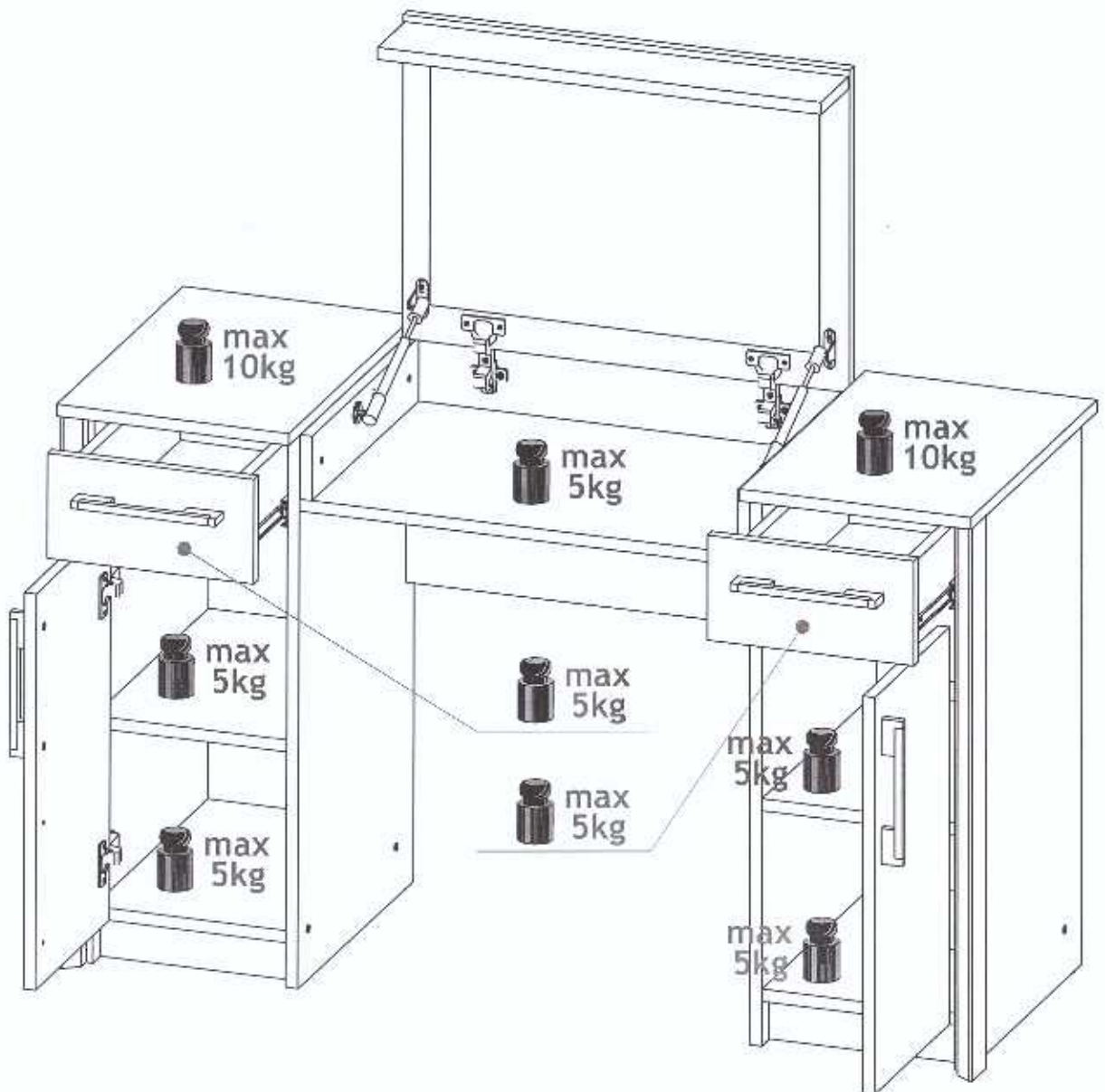


20 ▶

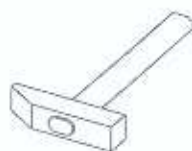
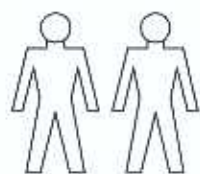


21 ▶





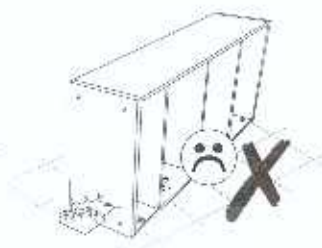
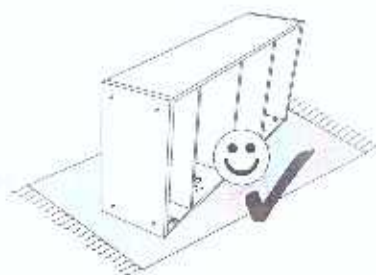
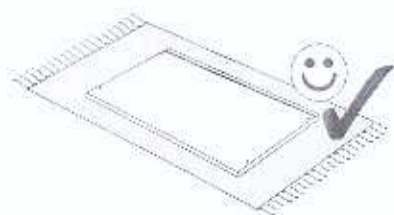
SCARLET Wardrobe 3D





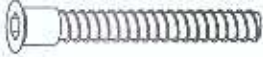

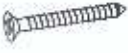
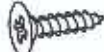
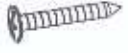
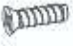








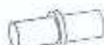
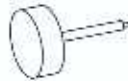

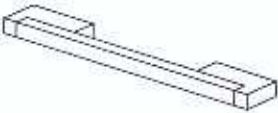
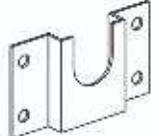
2120 mm

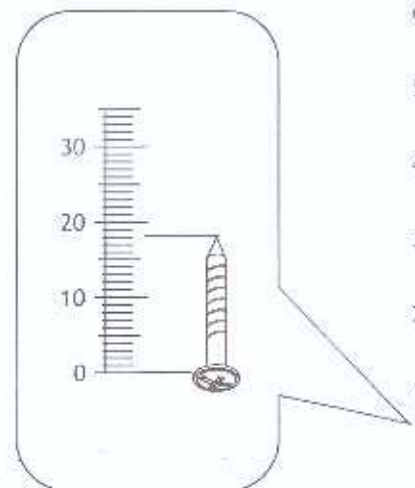
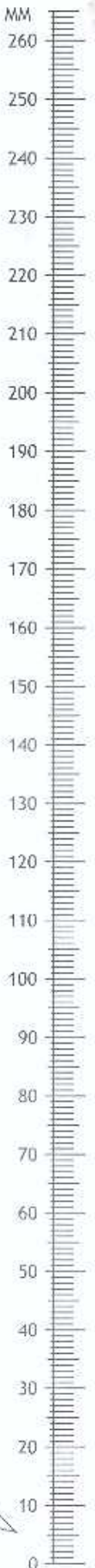
1359 mm

575 mm

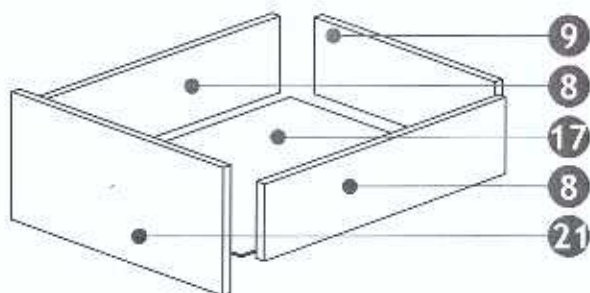


SCARLET Wardrobe 3D

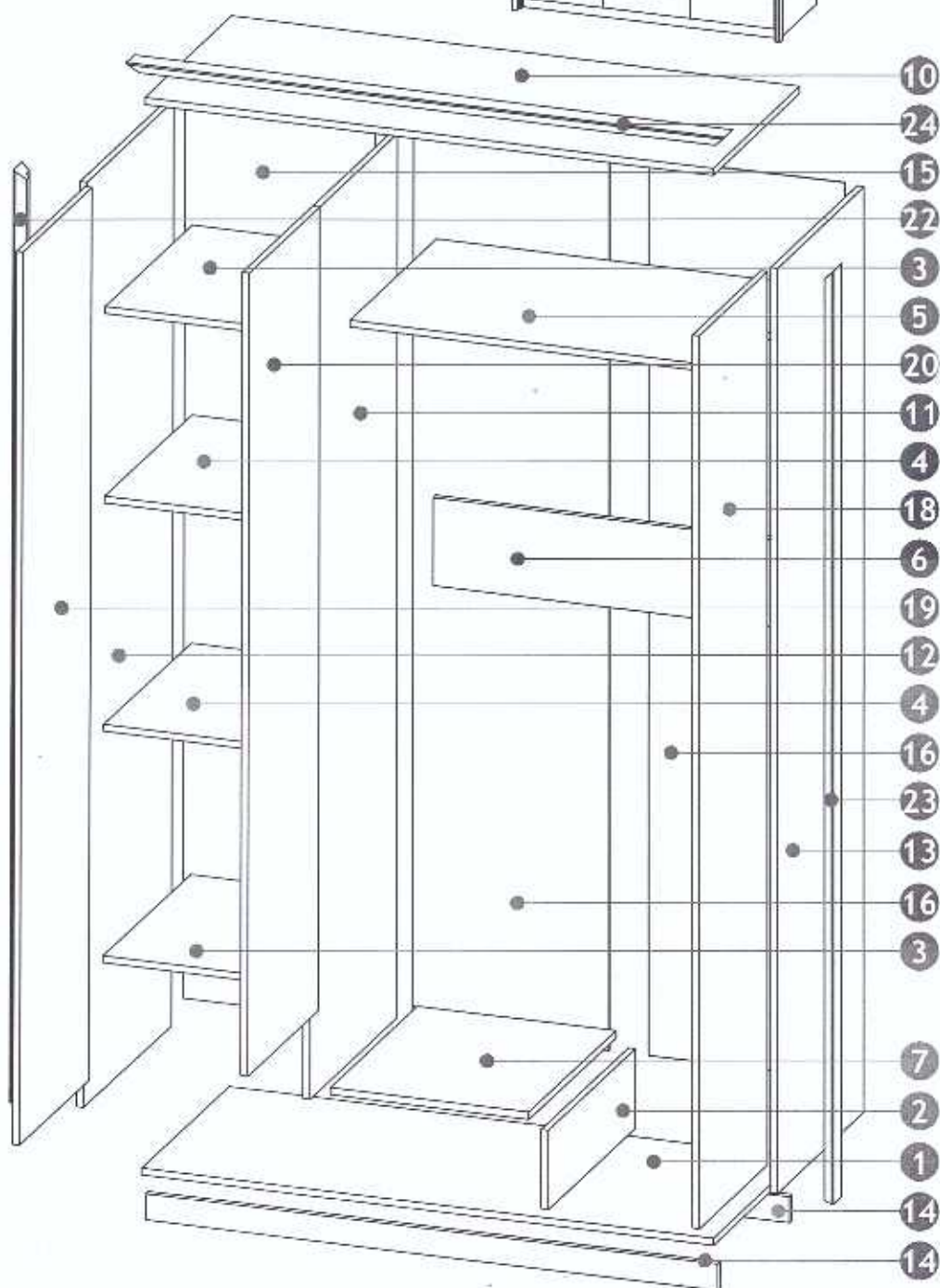
(A0) 8 x 32mm x23 	(B0)  x20	(B1) 7 x 50 mm x40 
(D0) 3 x 15 mm x16 	(D1) 3 x 25 mm x13 	(D10) 4 x 16 mm x24 
(D16) 4,2 x 28 mm x8 	(D21) 5 x 13 mm x14 	(D30) 6,3 x 13 mm x24 
(I1)  x12	(I4)  x8	(I6)  x4
(K) 4mm  x1	(N9)  L-500mm x1	(R5)  x1
(S0)  x1	(Q0)  x8	(T3)  x10
(T8)  x120	 x4	 x2



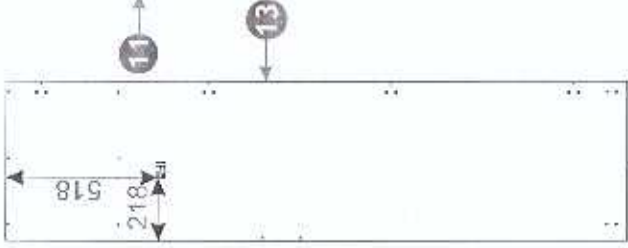
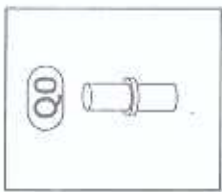
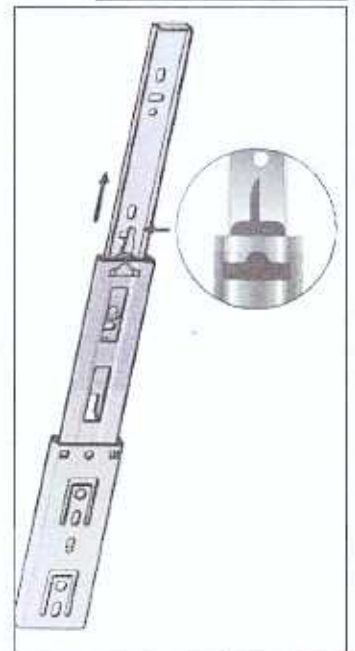
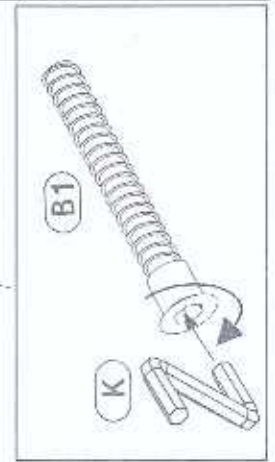
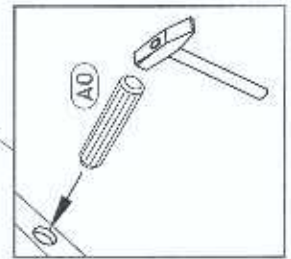
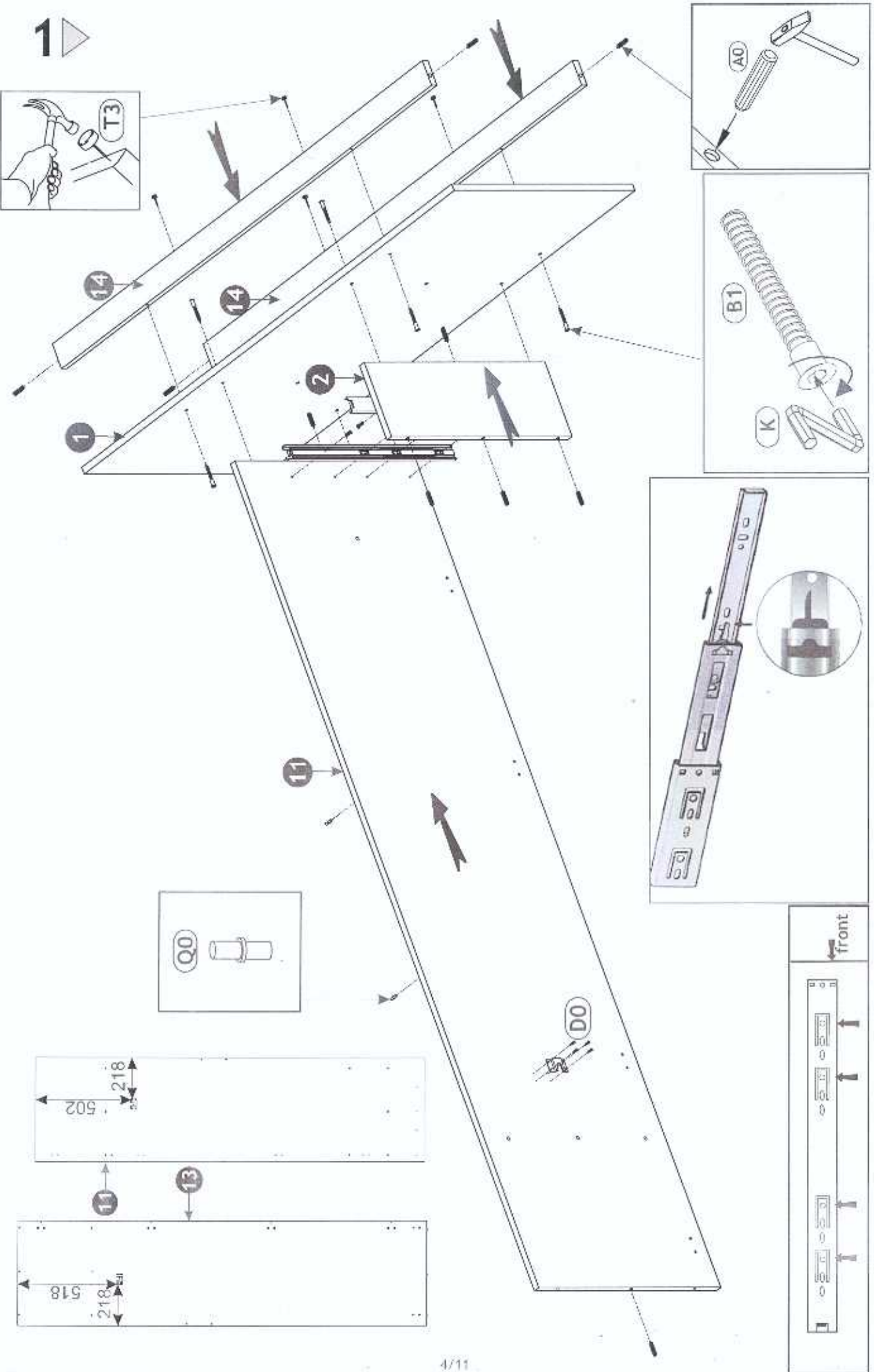
SCARLET Wardrobe 3D



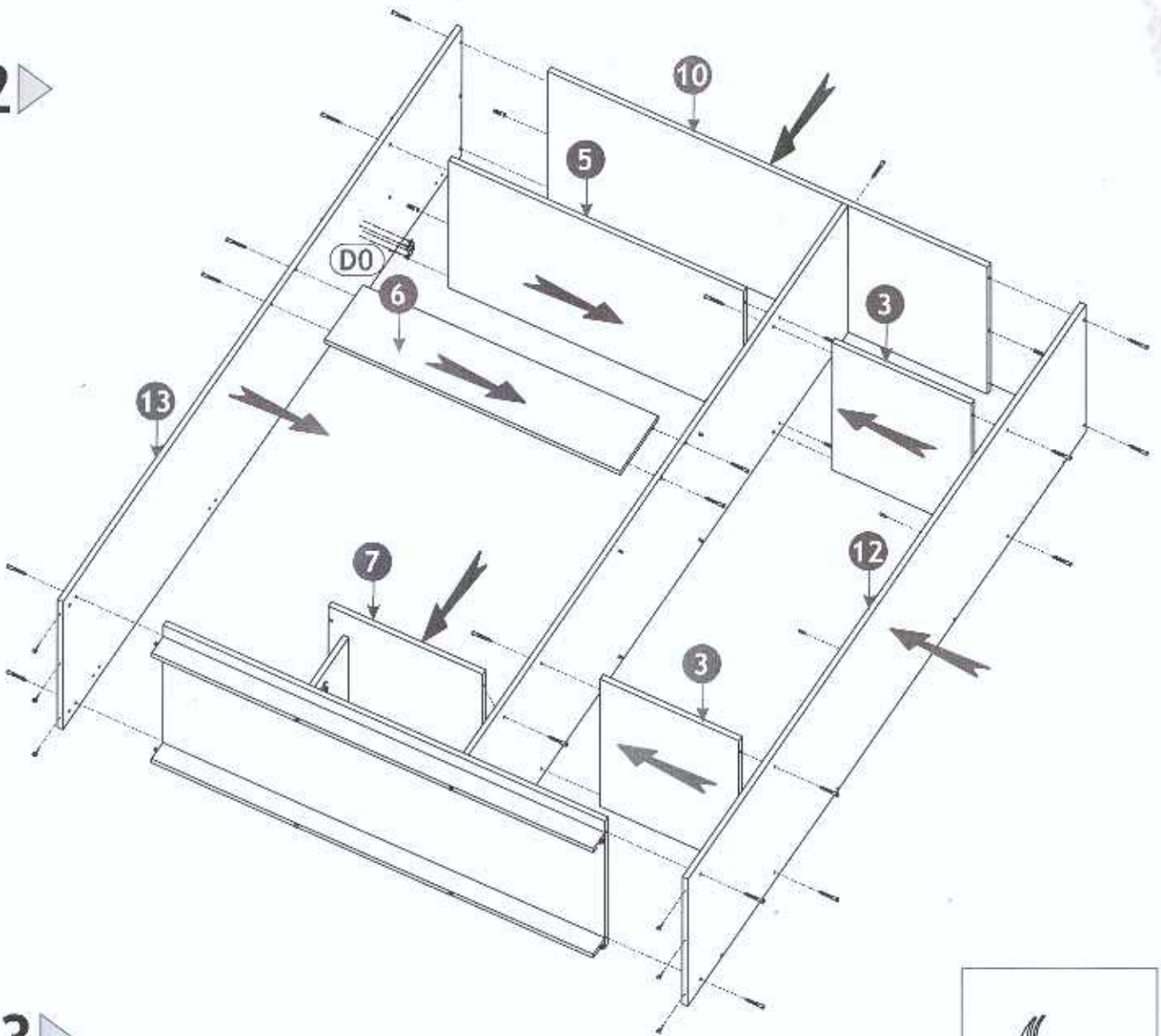
1	1291	540	16	x1	1/3
2	180	540	16	x1	1/3
3	408	540	16	x2	1/3
4	408	540	16	x2	1/3
5	867	540	16	x1	1/3
6	867	200	16	x1	1/3
7	450	540	16	x1	1/3
8	500	120	16	x2	1/3
9	376	120	16	x1	1/3
10	1291	540	16	x1	1/3
11	2008	540	16	x1	2/3
12	2100	540	16	x1	2/3
13	2100	540	16	x1	2/3
14	1291	60	16	x2	2/3
15	2036	431	3	x1	2/3
16	2036	444	3	x2	2/3
17	406	505	3	x1	2/3
18	2028	427	16	x1	3/3
19	2028	427	16	x1	3/3
20	1824	438	16	x1	3/3
21	438	200	16	x1	3/3
22	2118	55	25	x1	2/3
23	2118	55	25	x1	2/3
24	1359	55	25	x1	2/3
					1/3



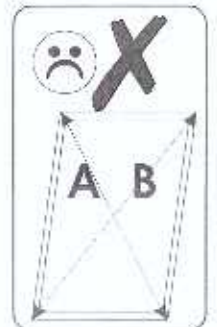
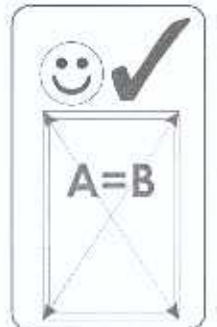
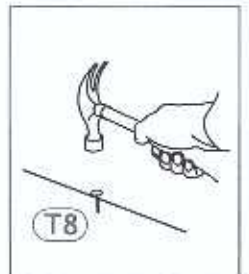
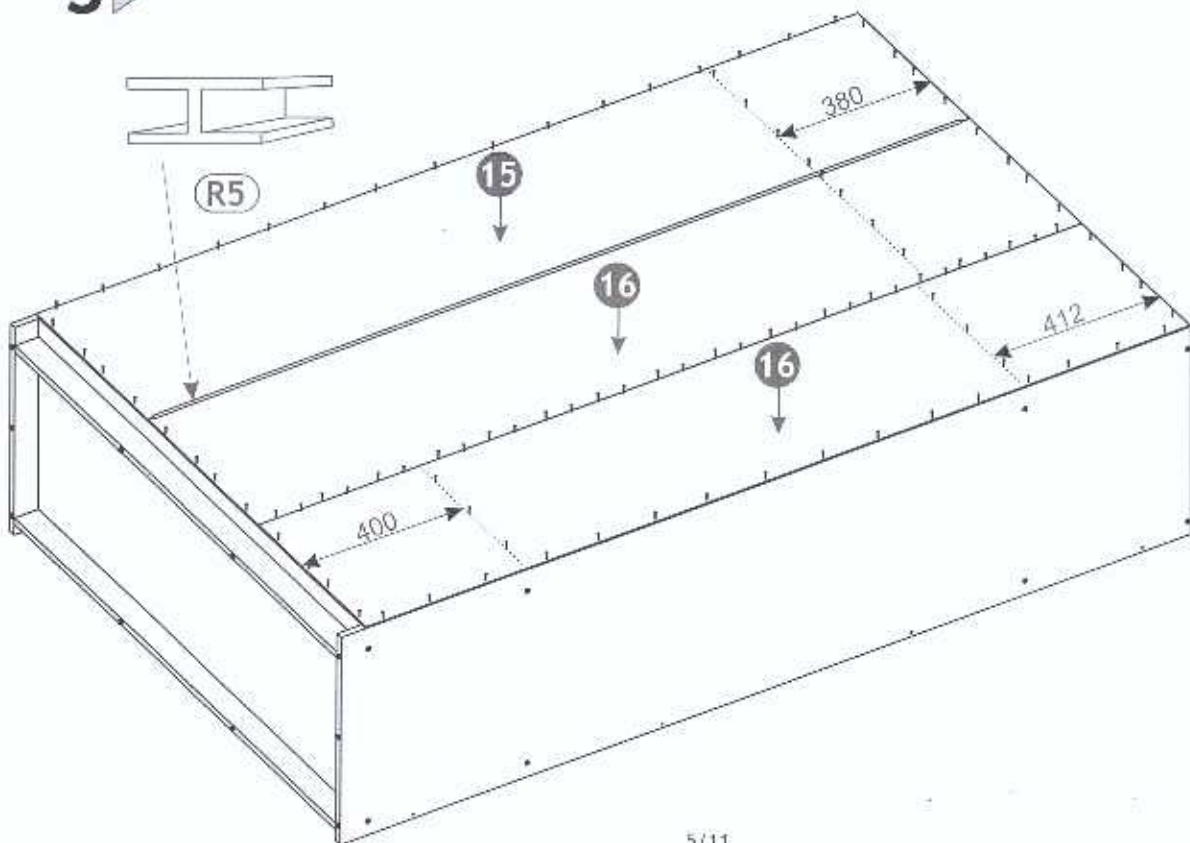
1



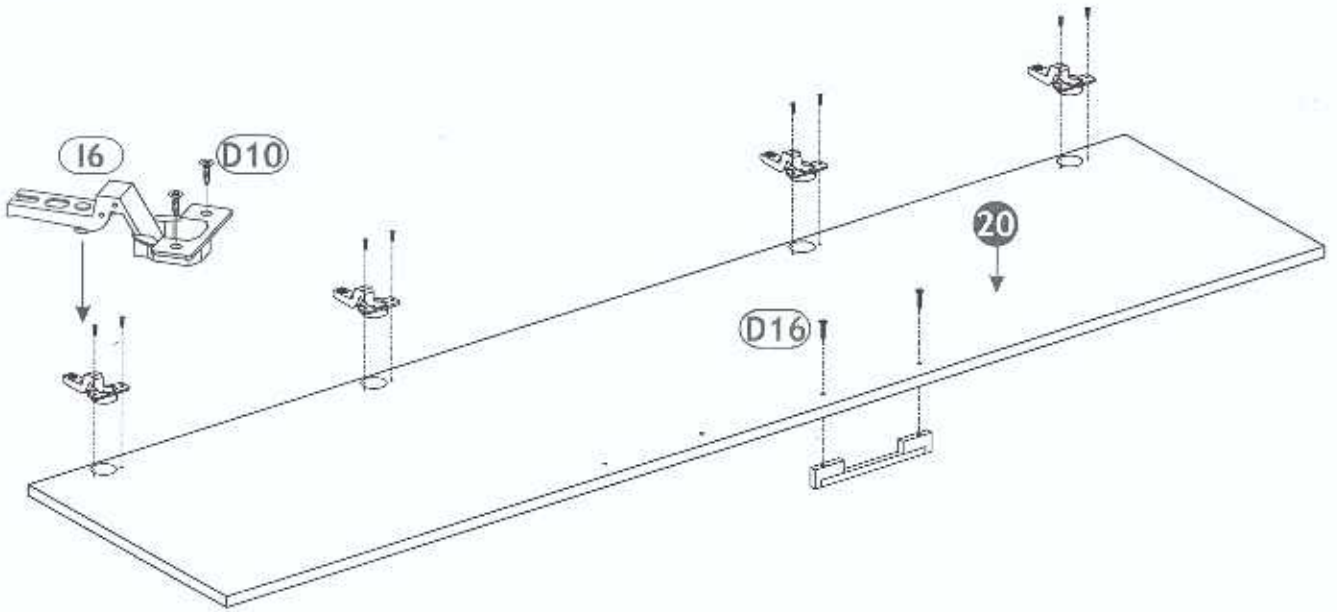
2 ▶



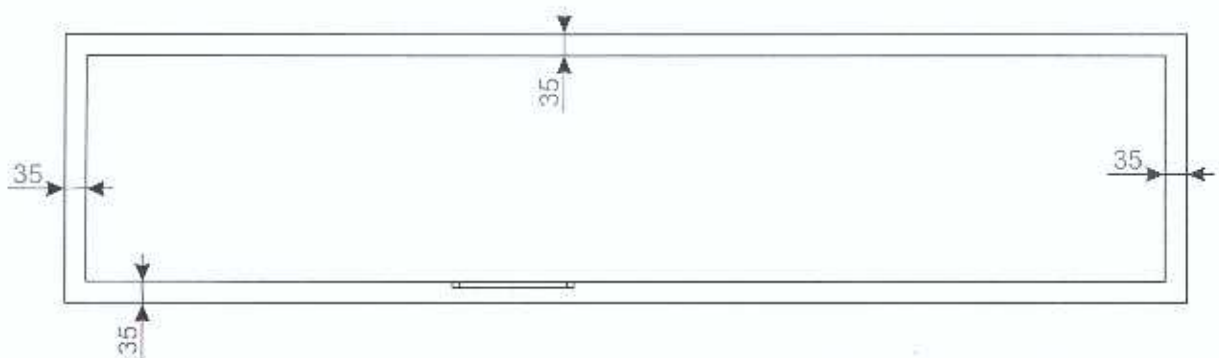
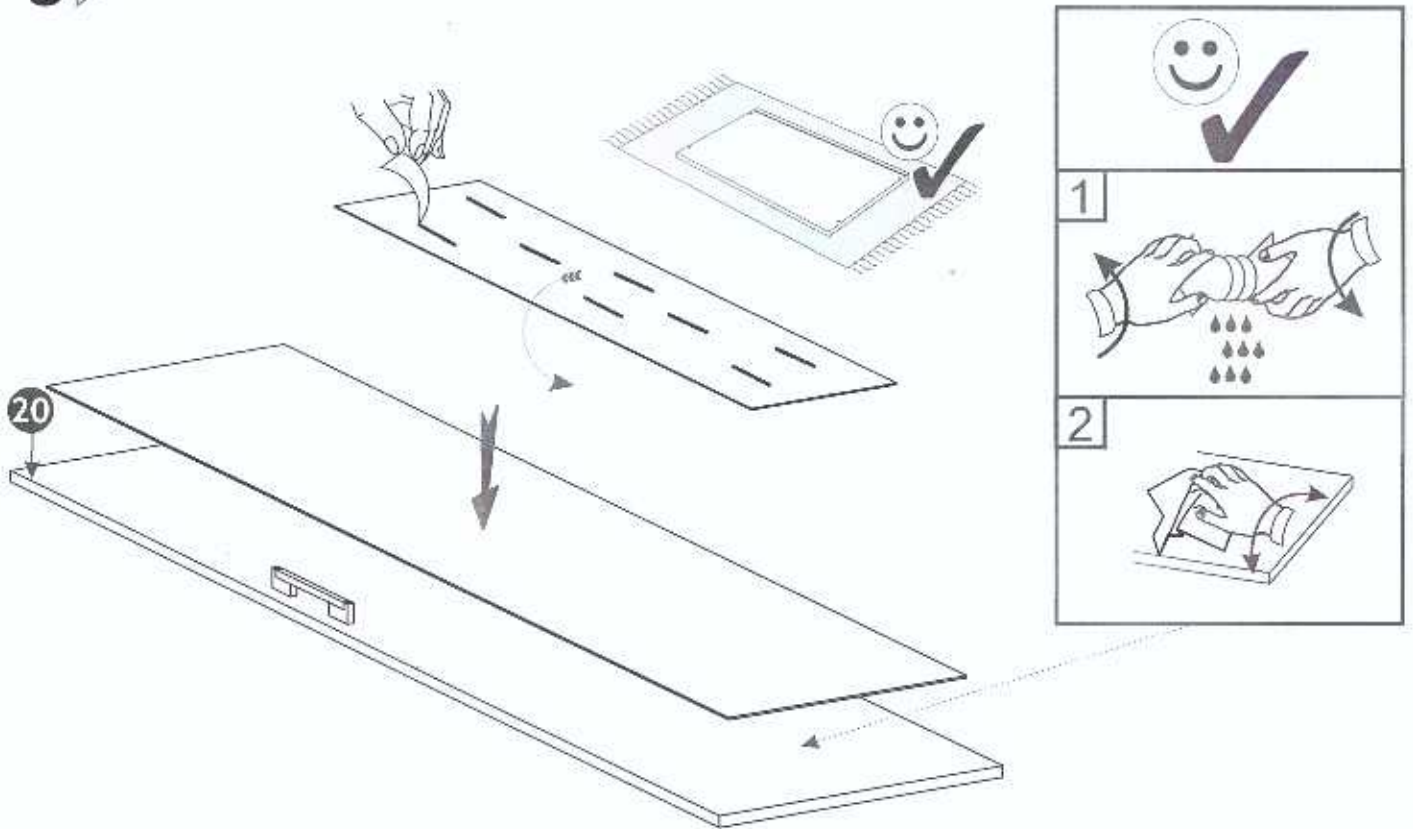
3 ▶



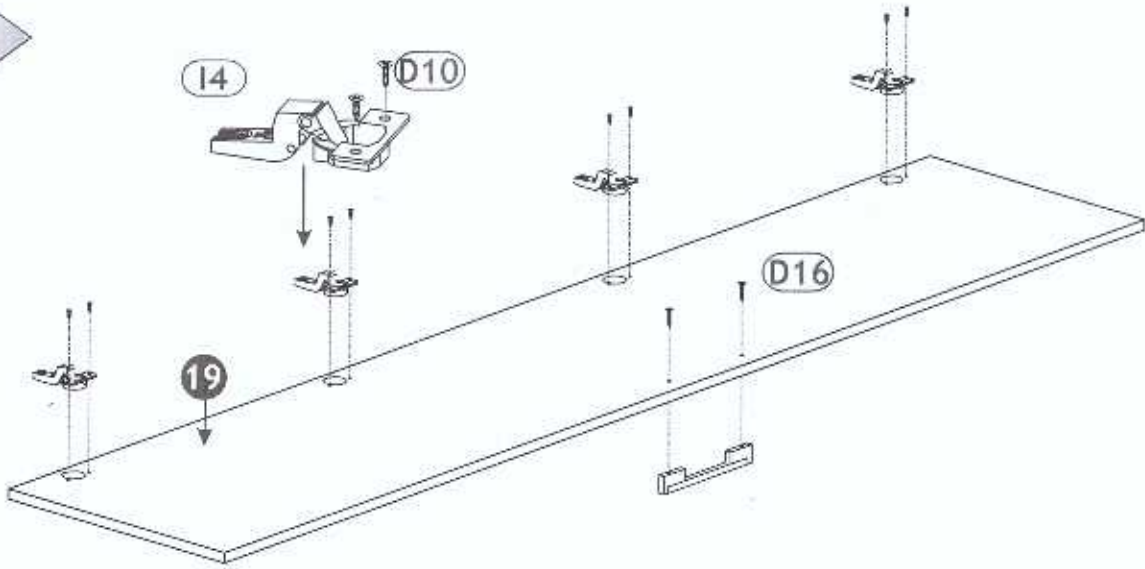
4 ▶



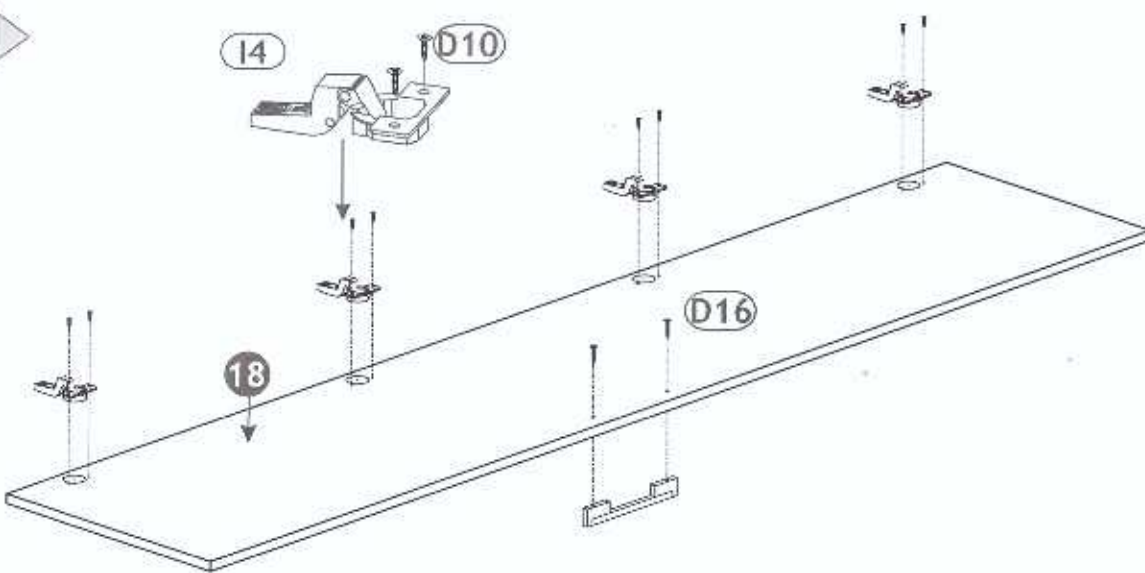
5 ▶



6 ▶

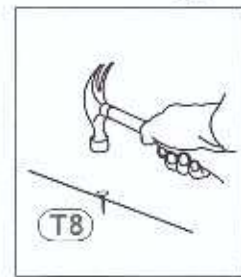
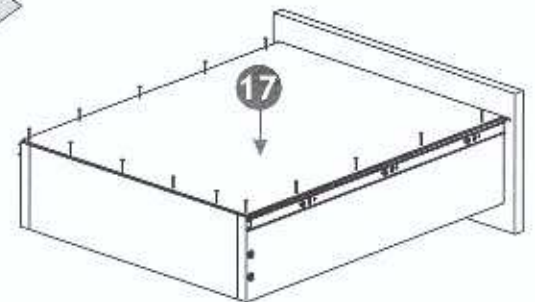
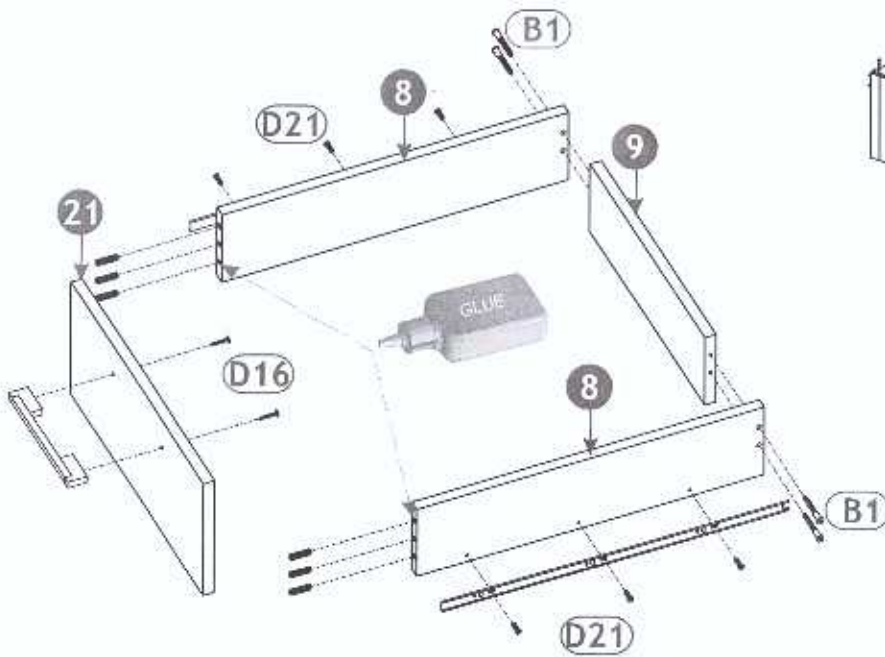


7 ▶

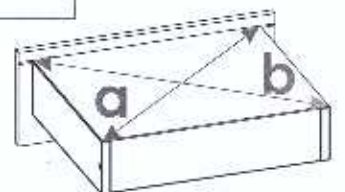


8 ▶

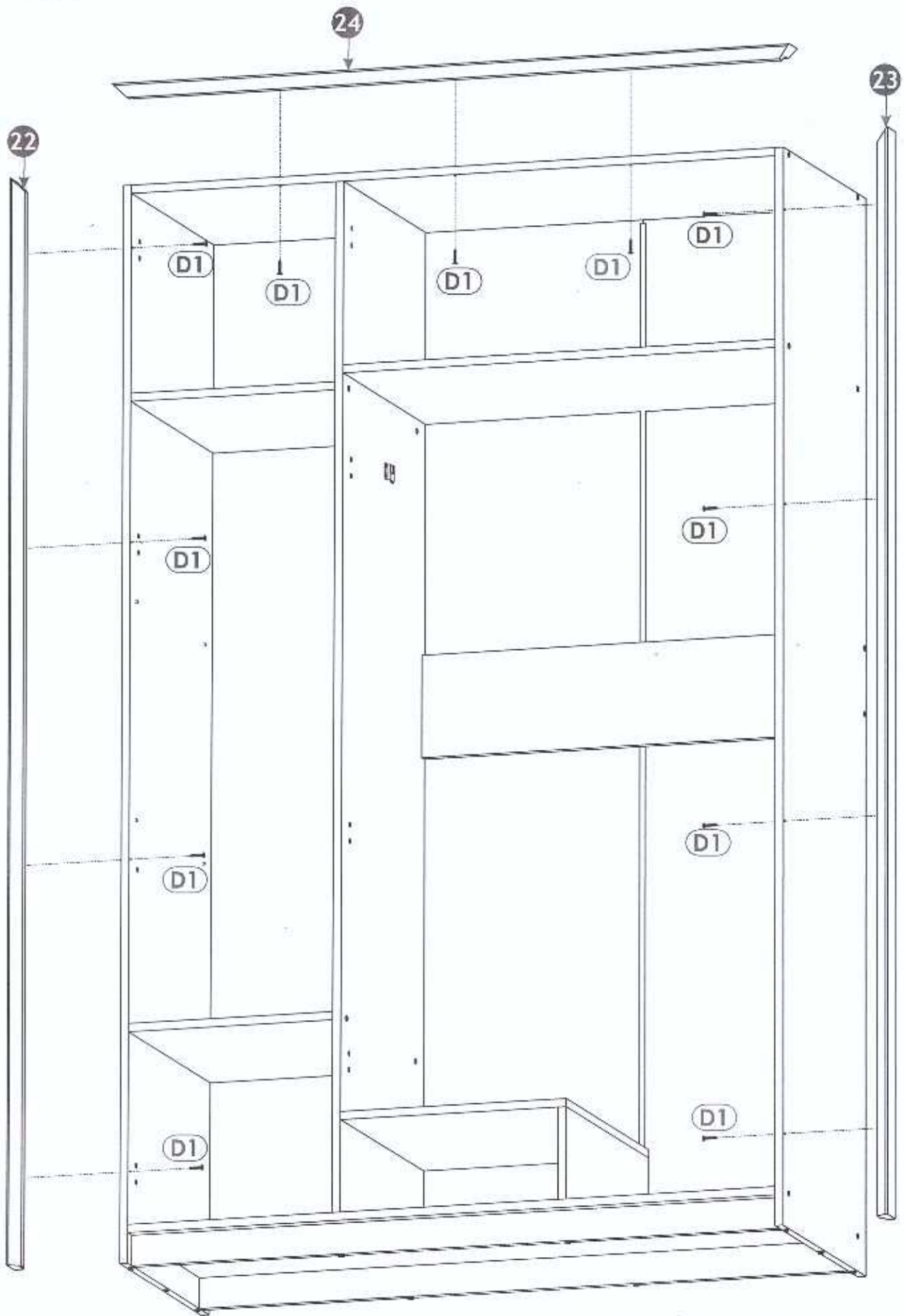
9 ▶



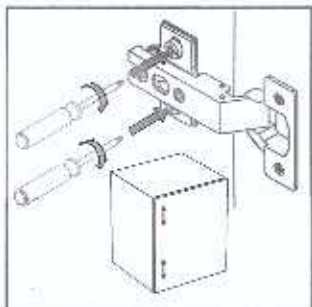
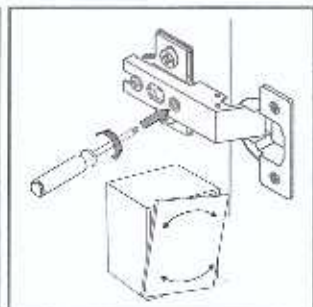
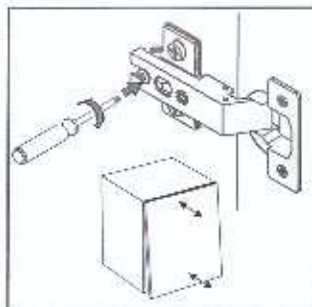
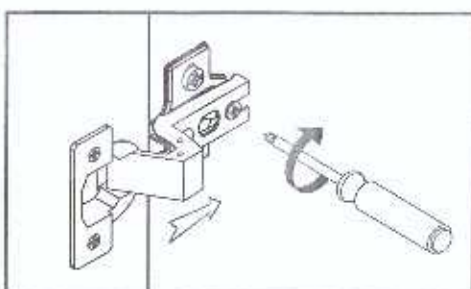
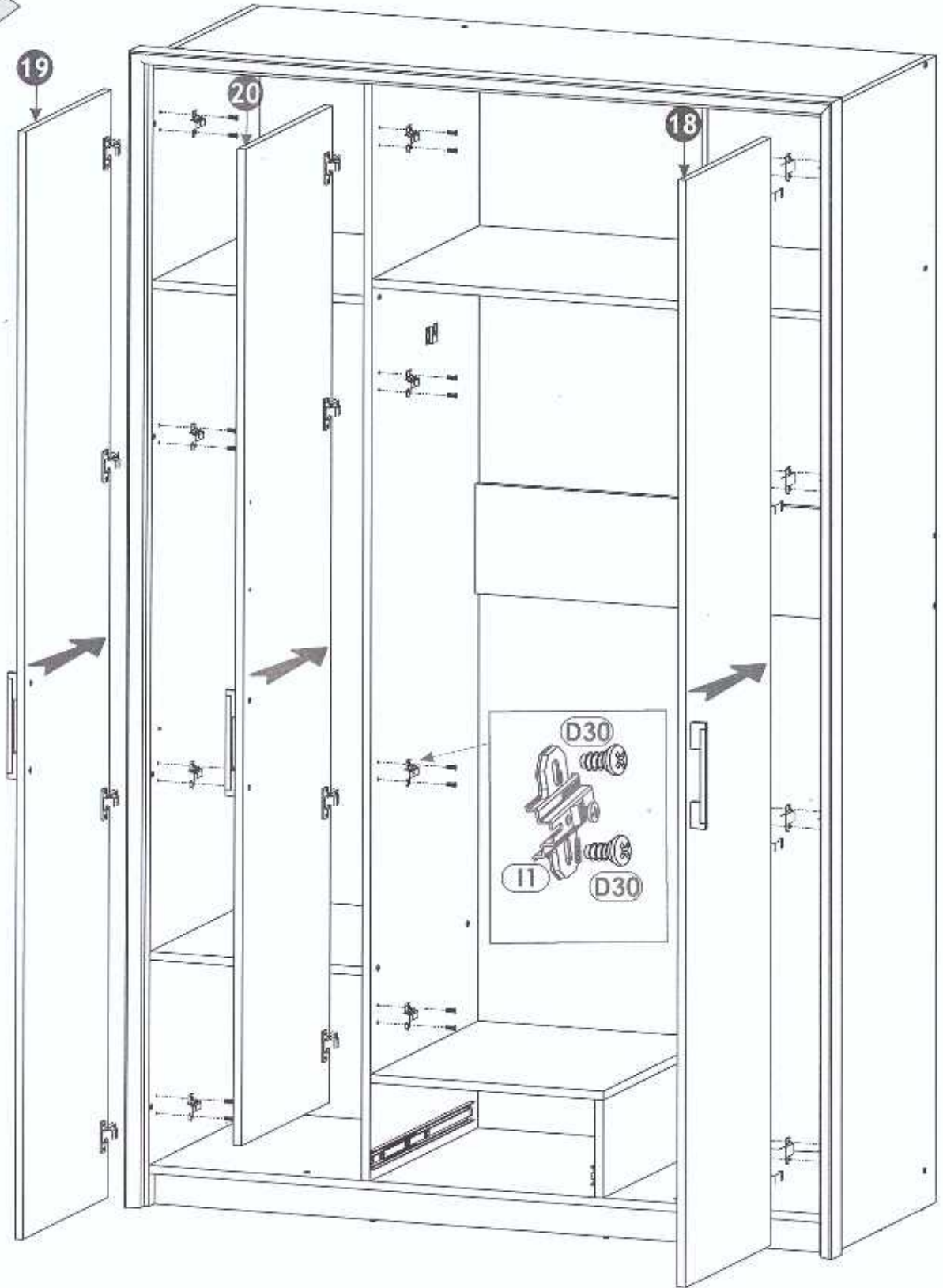
$a=b$



10 ▶



11 ▶



12 ▶

