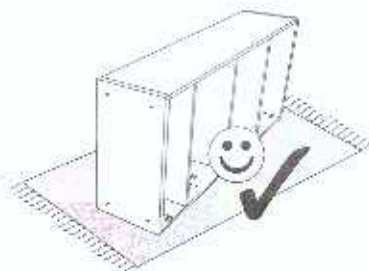
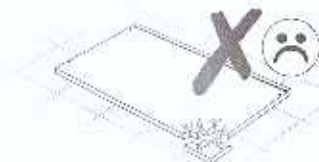
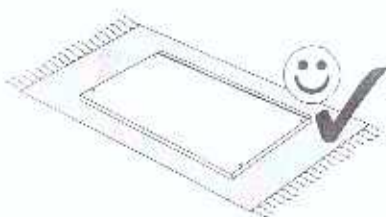
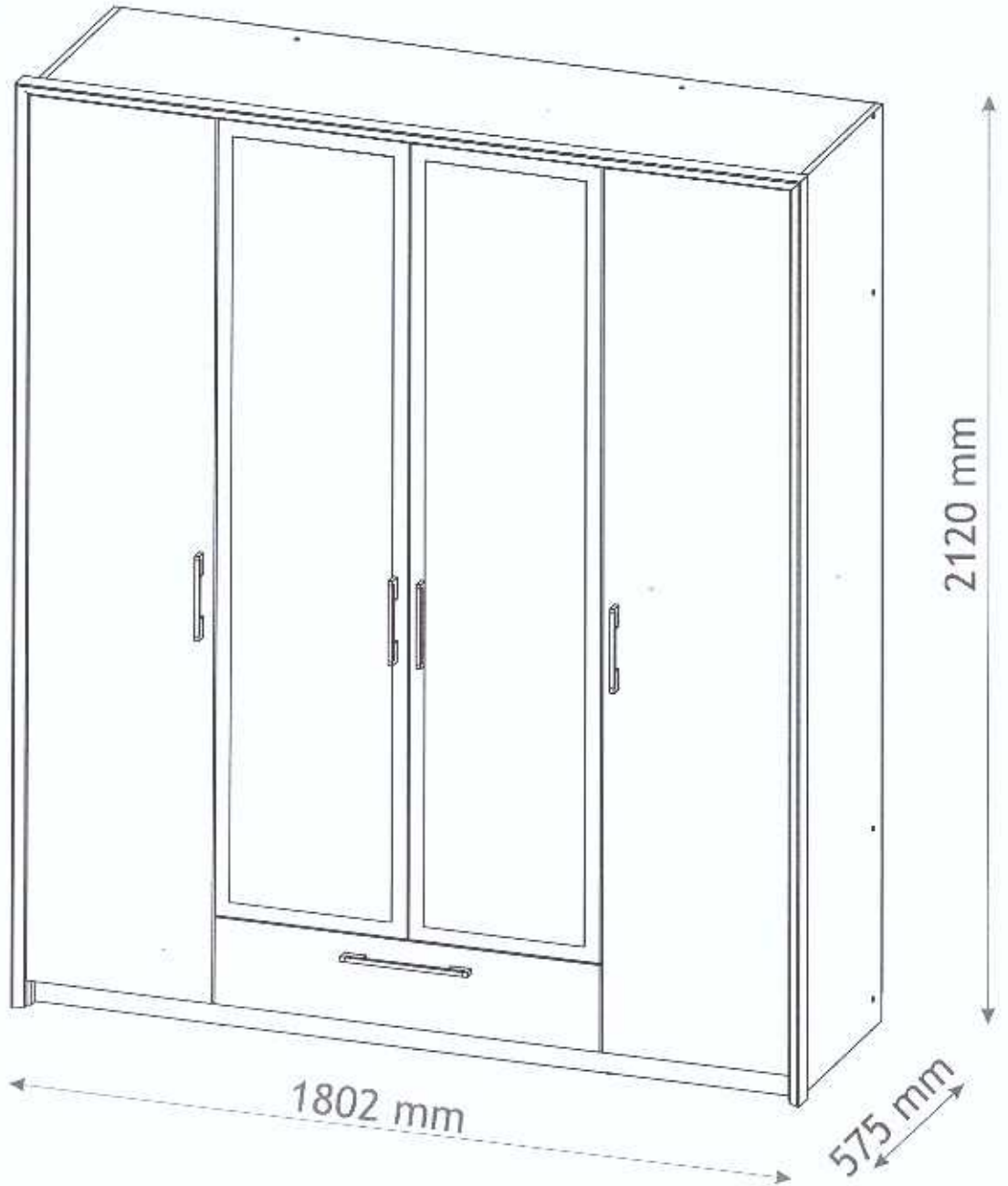
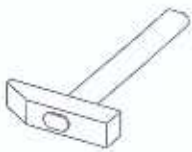
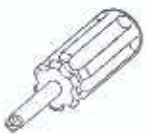
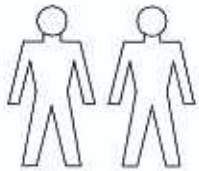
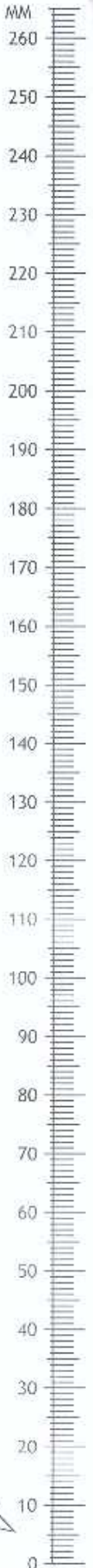






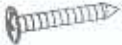










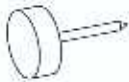

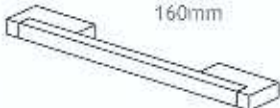

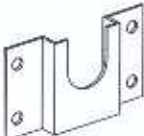


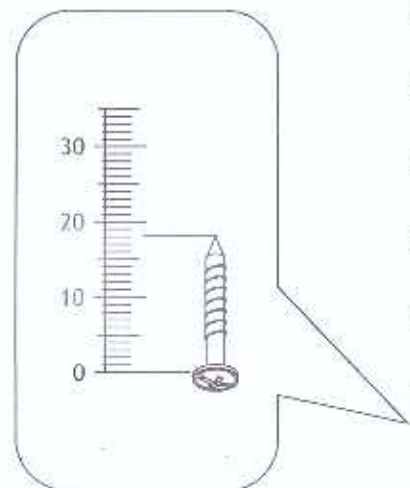
SCARLET Wardrobe 4D



SCARLET Wardrobe 4D



(A0) 8 x 32mm x26 	(B0) x16 	(B1) f 7 x 50 mm x56 
(D0) 3 x 15 mm x20 	(D1) 3 x 25 mm x14 	(D10) 4 x 16 mm x32 
(D16) 4,2 x 28 mm x10 	(D21) 5 x 13 mm x14 	(D30) 6,3 x 13 mm x32 
(I1) x16 	(I6) x16 	(K) 4mm x1 
(N9) L-500mm x1 	(R5) x1 	(S0) L-417mm x1 
(S0) L-866mm x1 	(Q0) x8 	(T3) x12 
(T8) x140 	x4 160mm 	x1 256mm 
x4 		

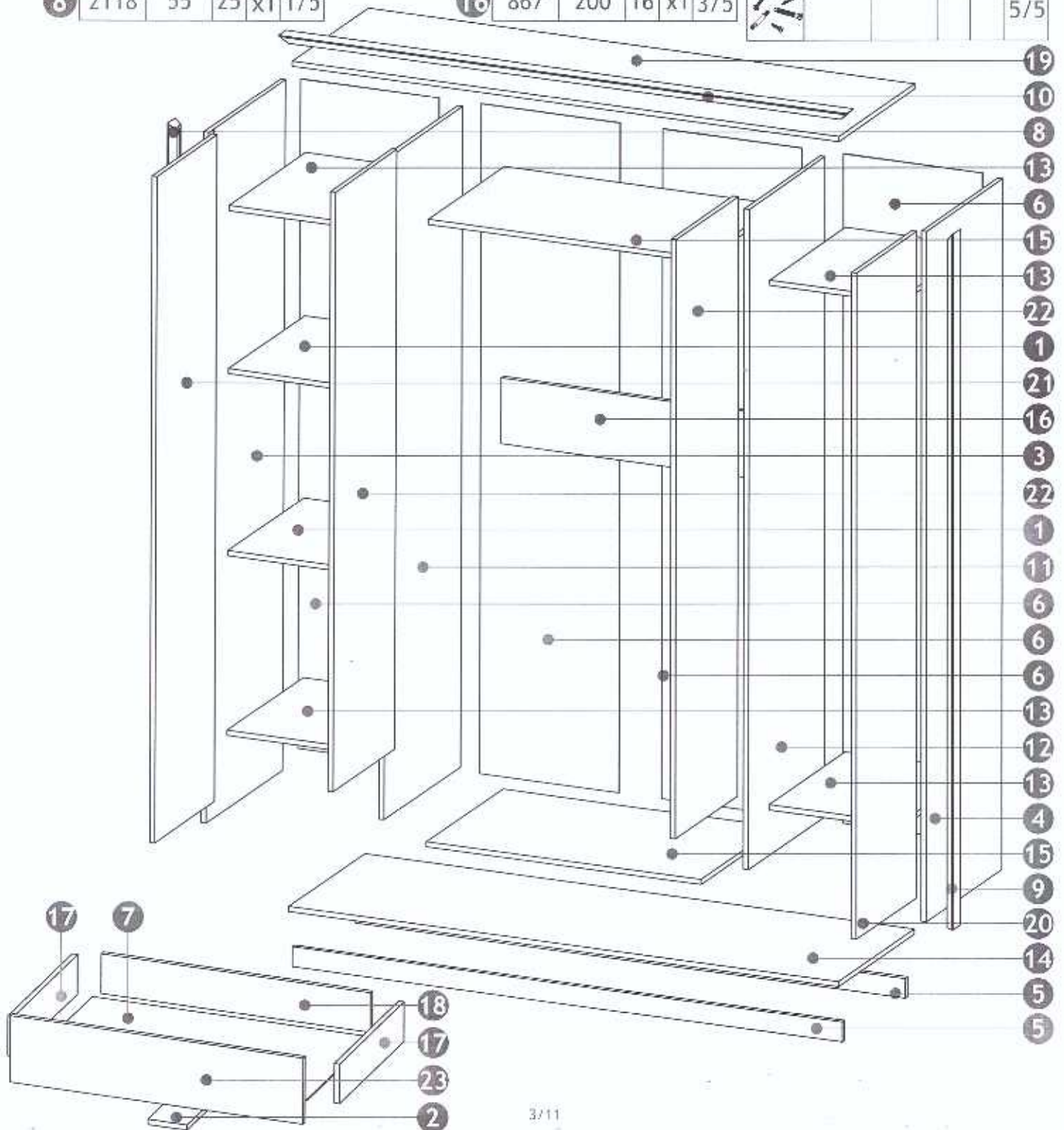


SCARLET Wardrobe 4D

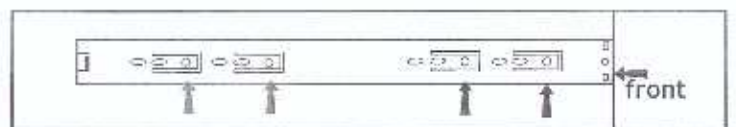
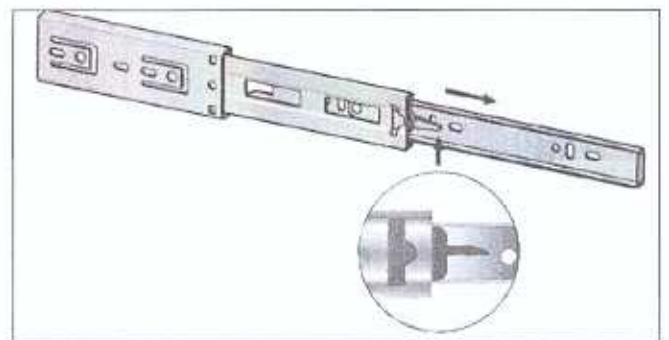
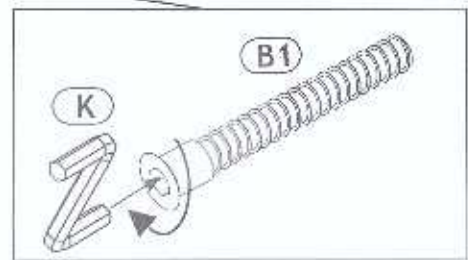
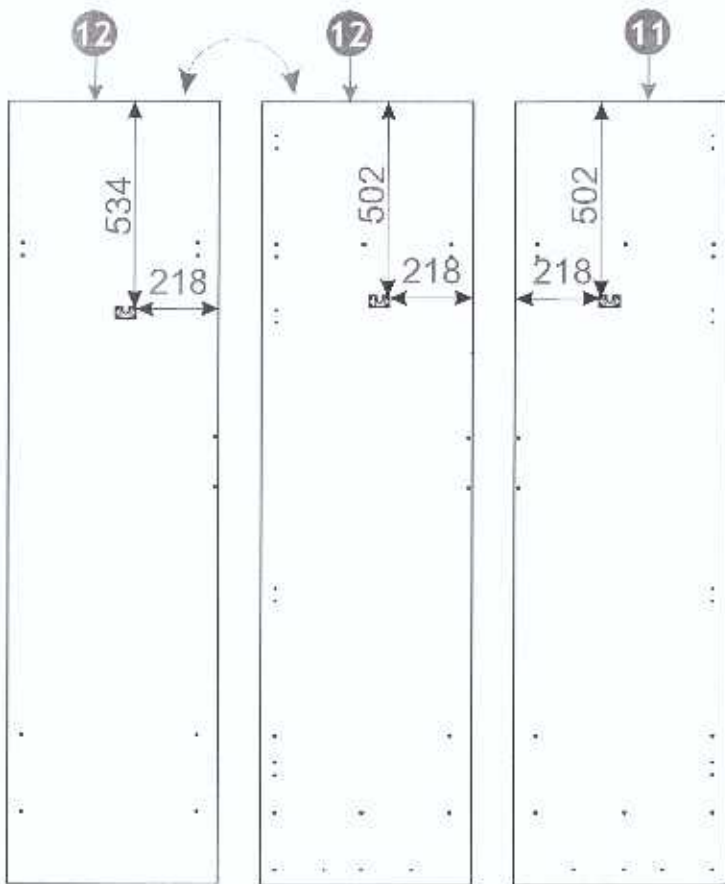
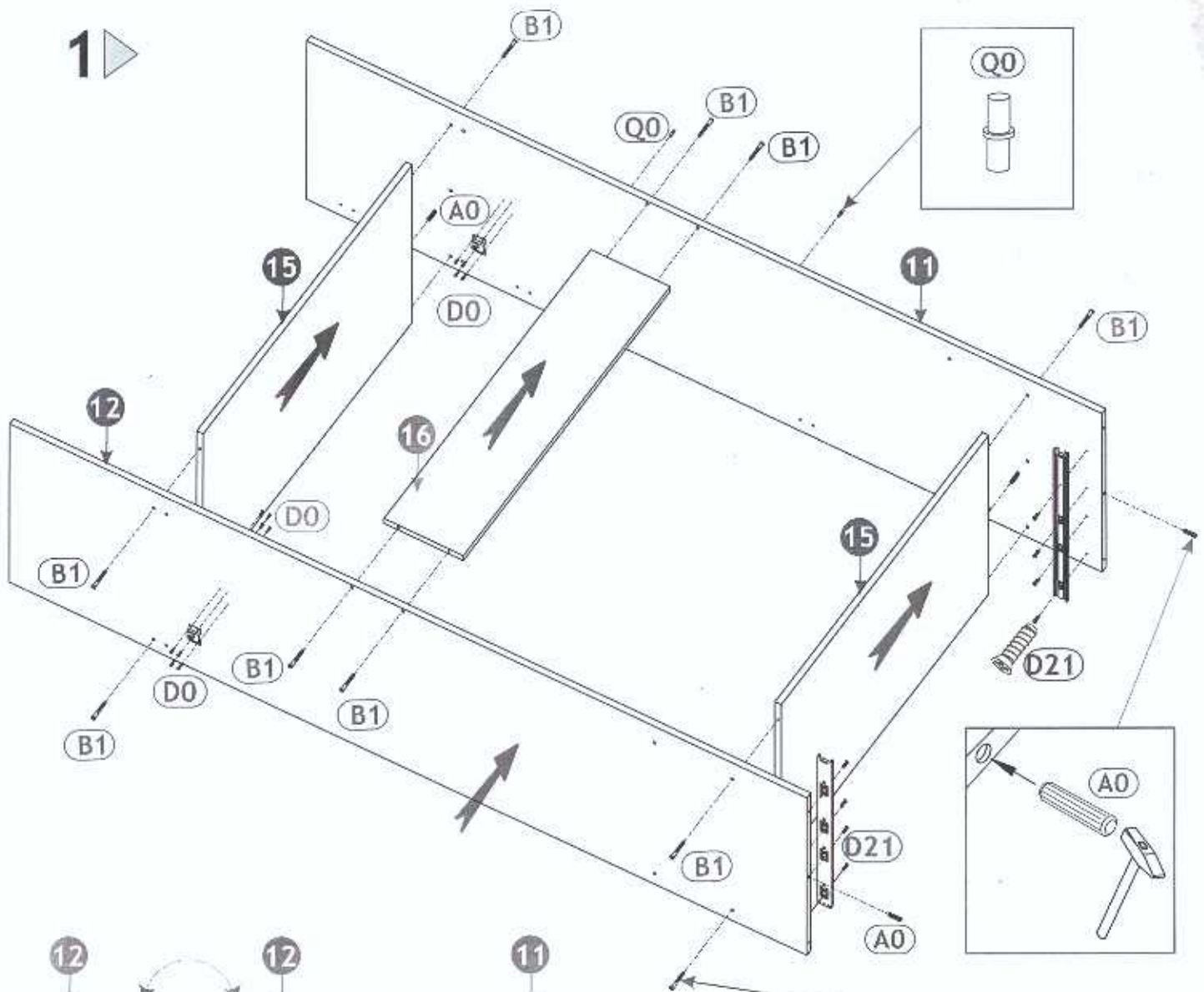
1	417	540	16	x2	1/5
2	500	120	16	x1	1/5
3	2100	540	16	x1	1/5
4	2100	540	16	x1	1/5
5	1734	60	16	x2	1/5
6	2036	440	2,5	x4	1/5
7	840	505	2,5	x1	1/5
8	2118	55	25	x1	1/5

9	2118	55	25	x1	1/5
10	1802	55	25	x1	1/5
11	2008	540	16	x1	2/5
12	2008	540	16	x1	2/5
13	417	540	16	x4	2/5
14	1734	540	16	x1	3/5
15	867	540	16	x2	3/5
16	867	200	16	x1	3/5

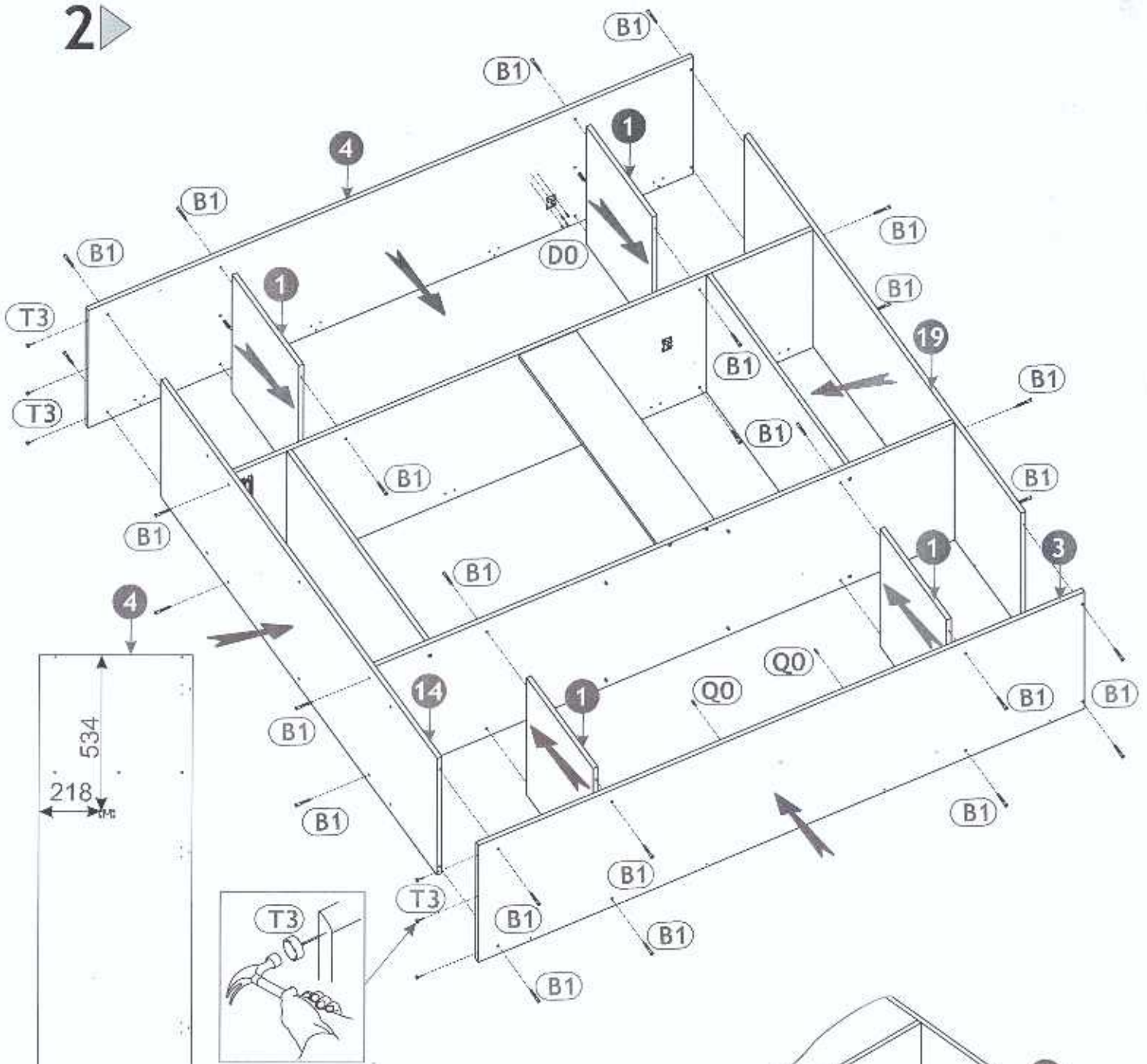
17	500	120	16	x2	3/5
18	809	120	16	x1	3/5
19	1734	540	16	x1	3/5
20	2028	427	16	x1	4/5
21	2028	427	16	x1	4/5
22	1824	438	16	x2	4/5
23	880	200	16	x1	3/5



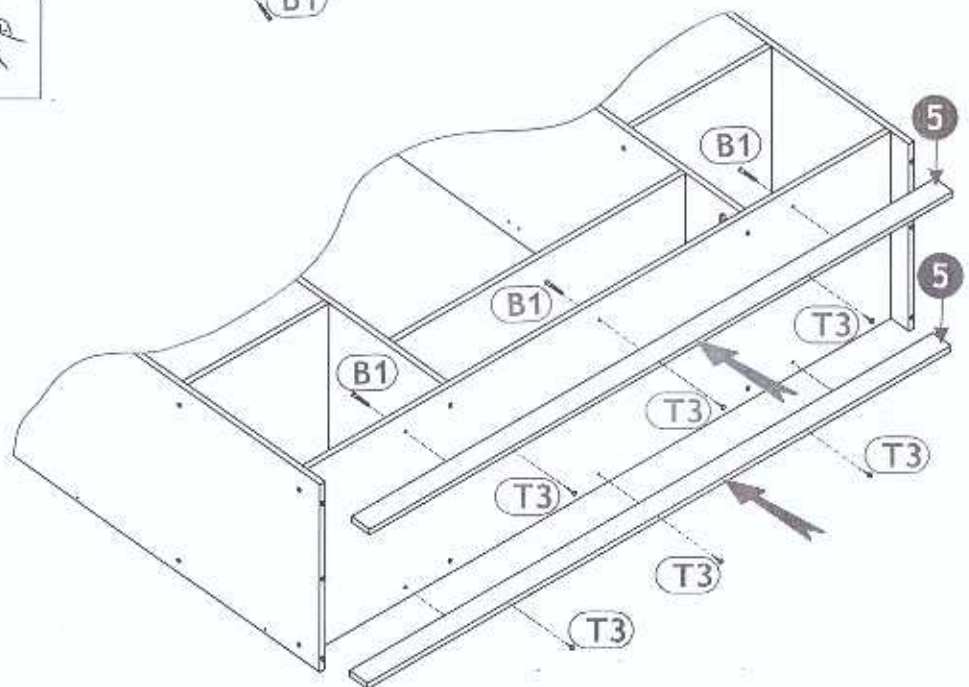
1 ▶



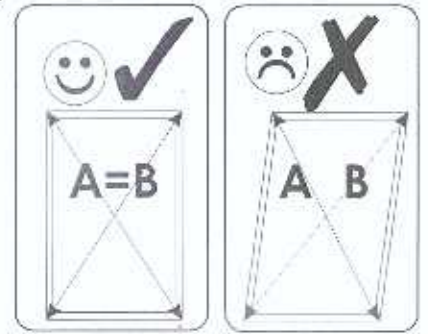
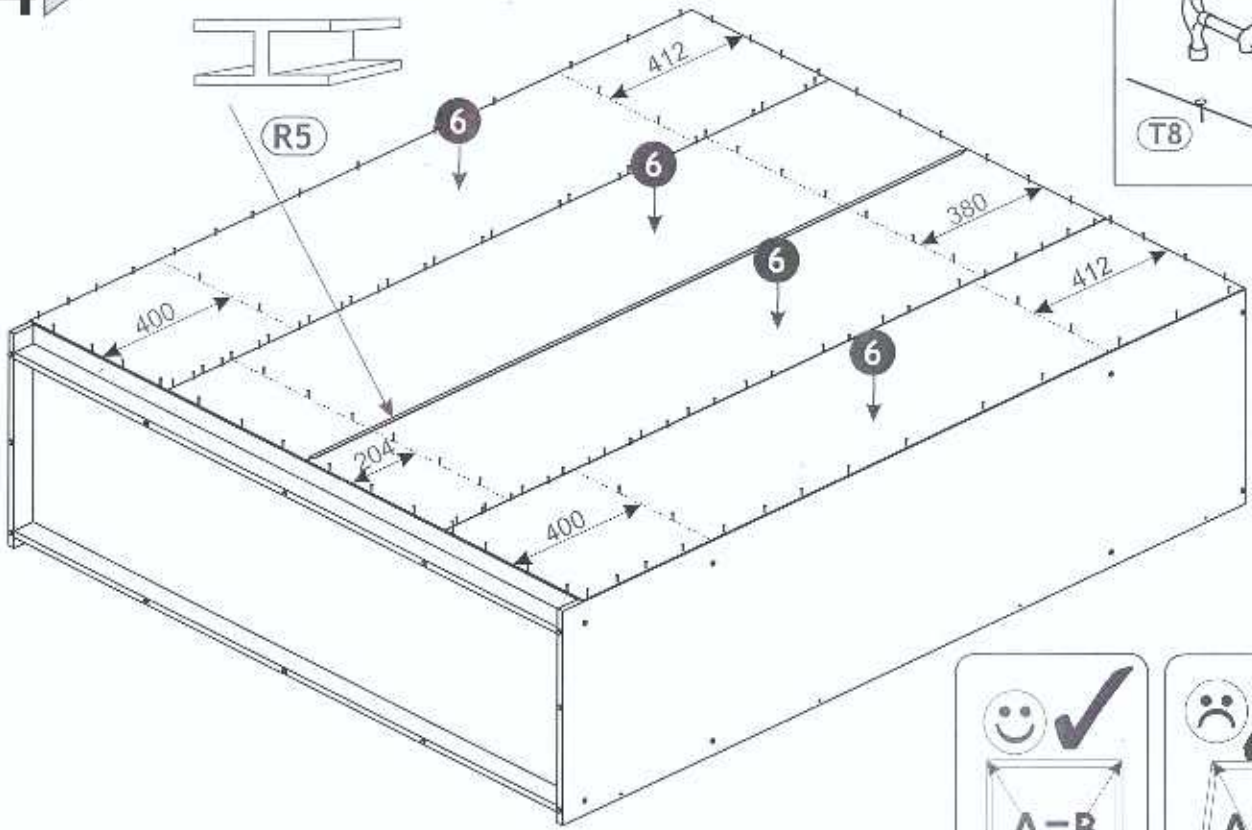
2 ▶



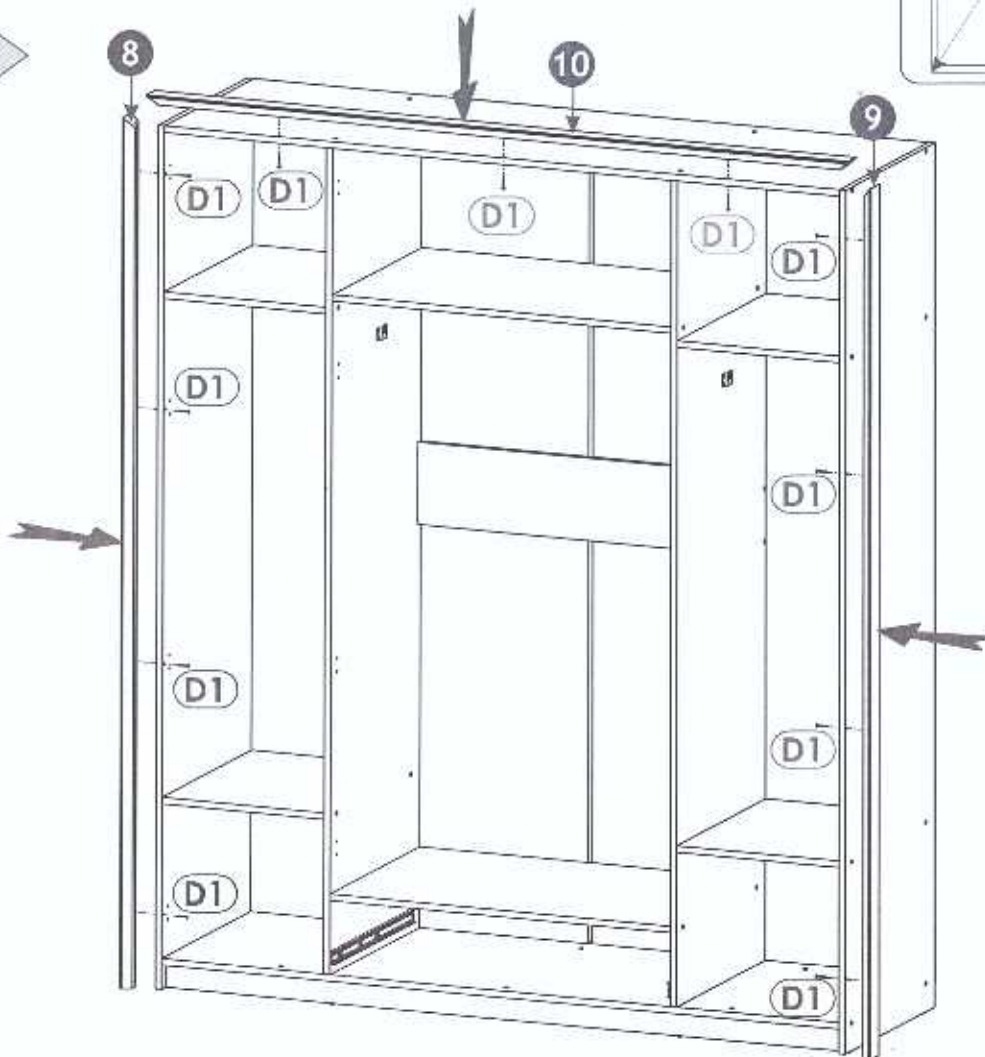
3 ▶



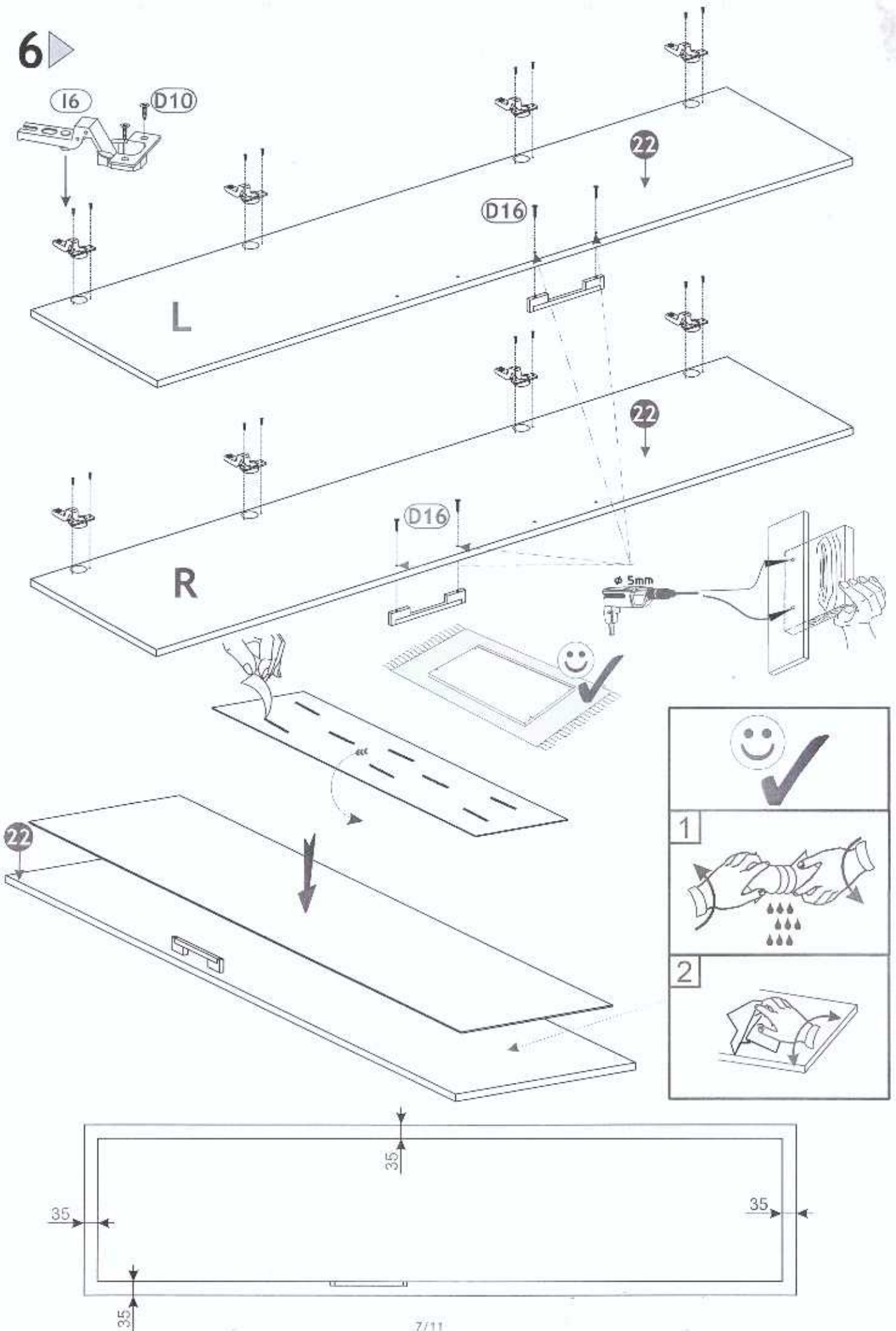
4



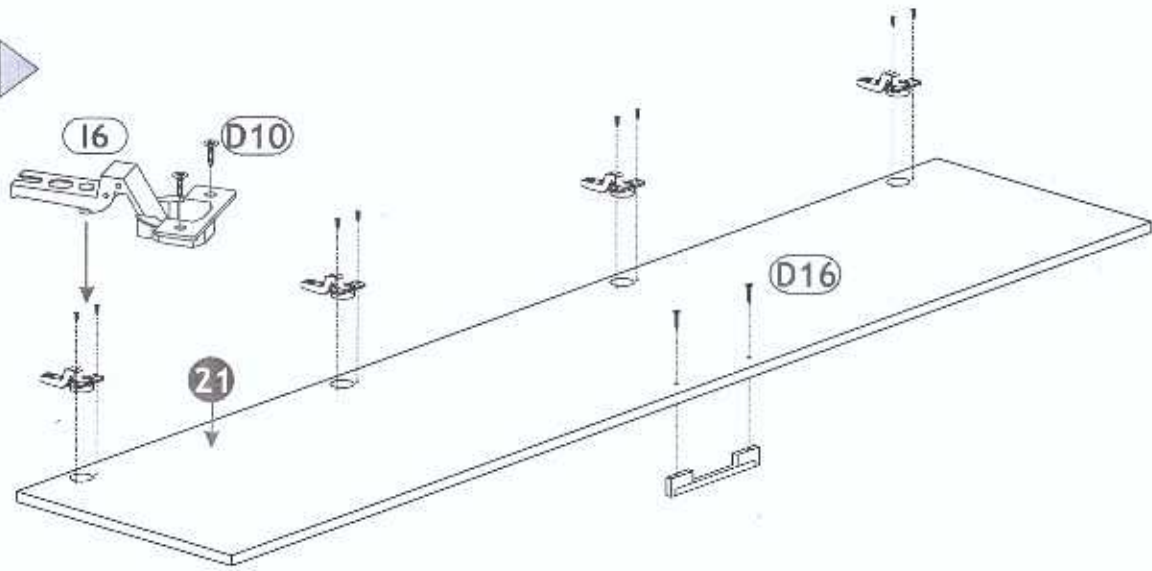
5



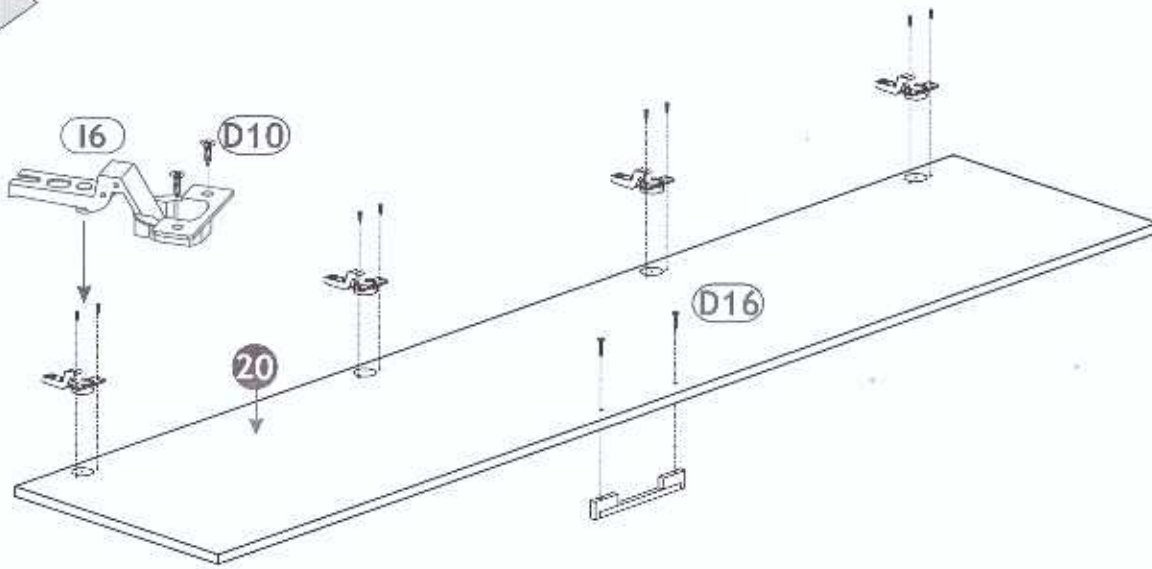
6 ▶



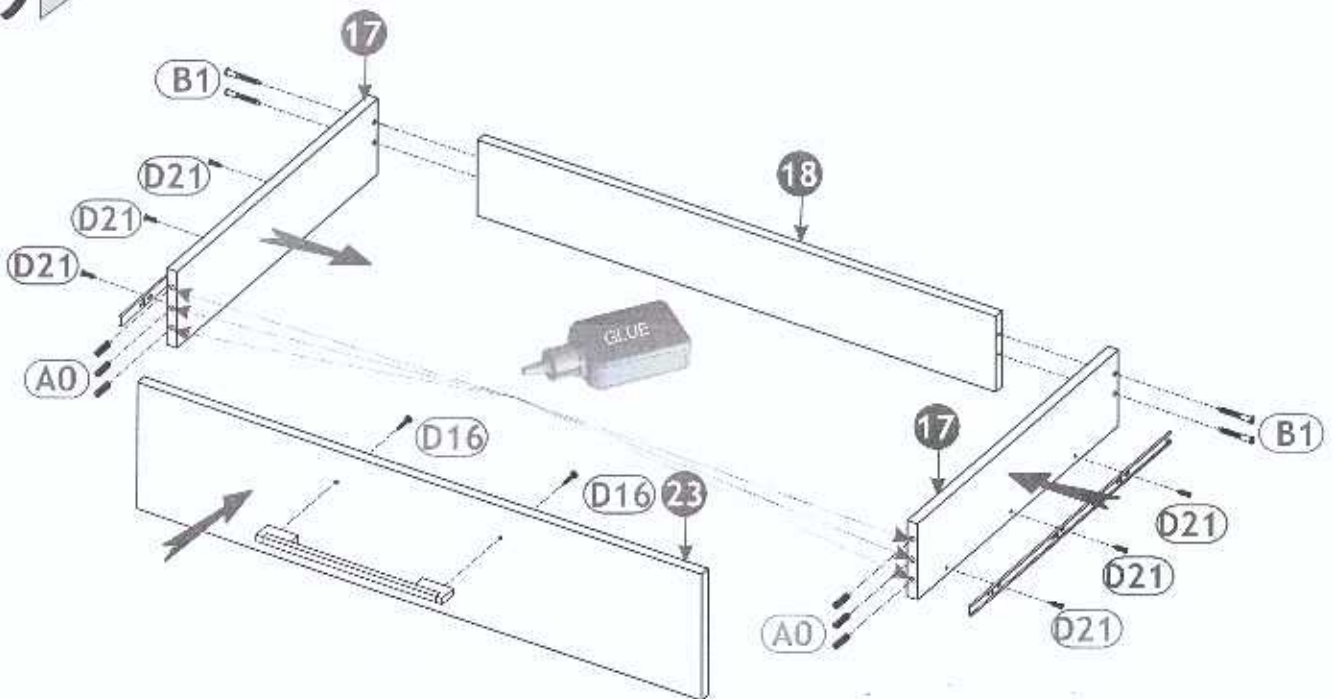
7 ▶



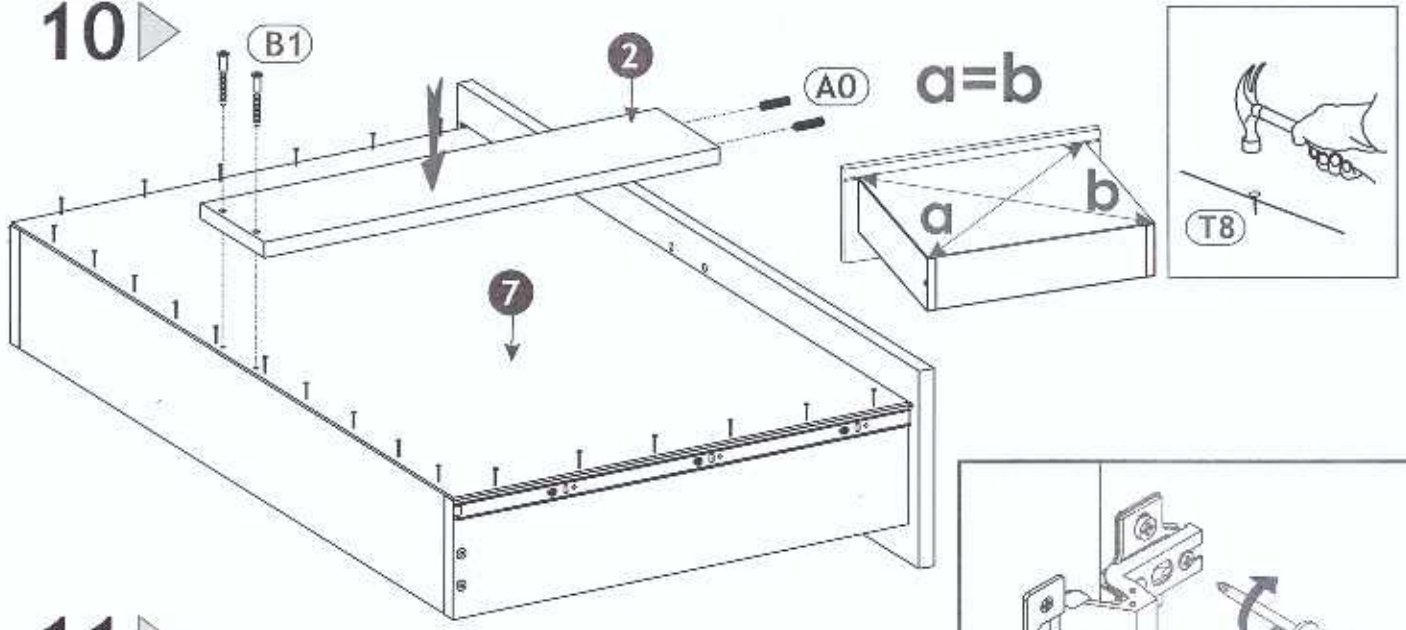
8 ▶



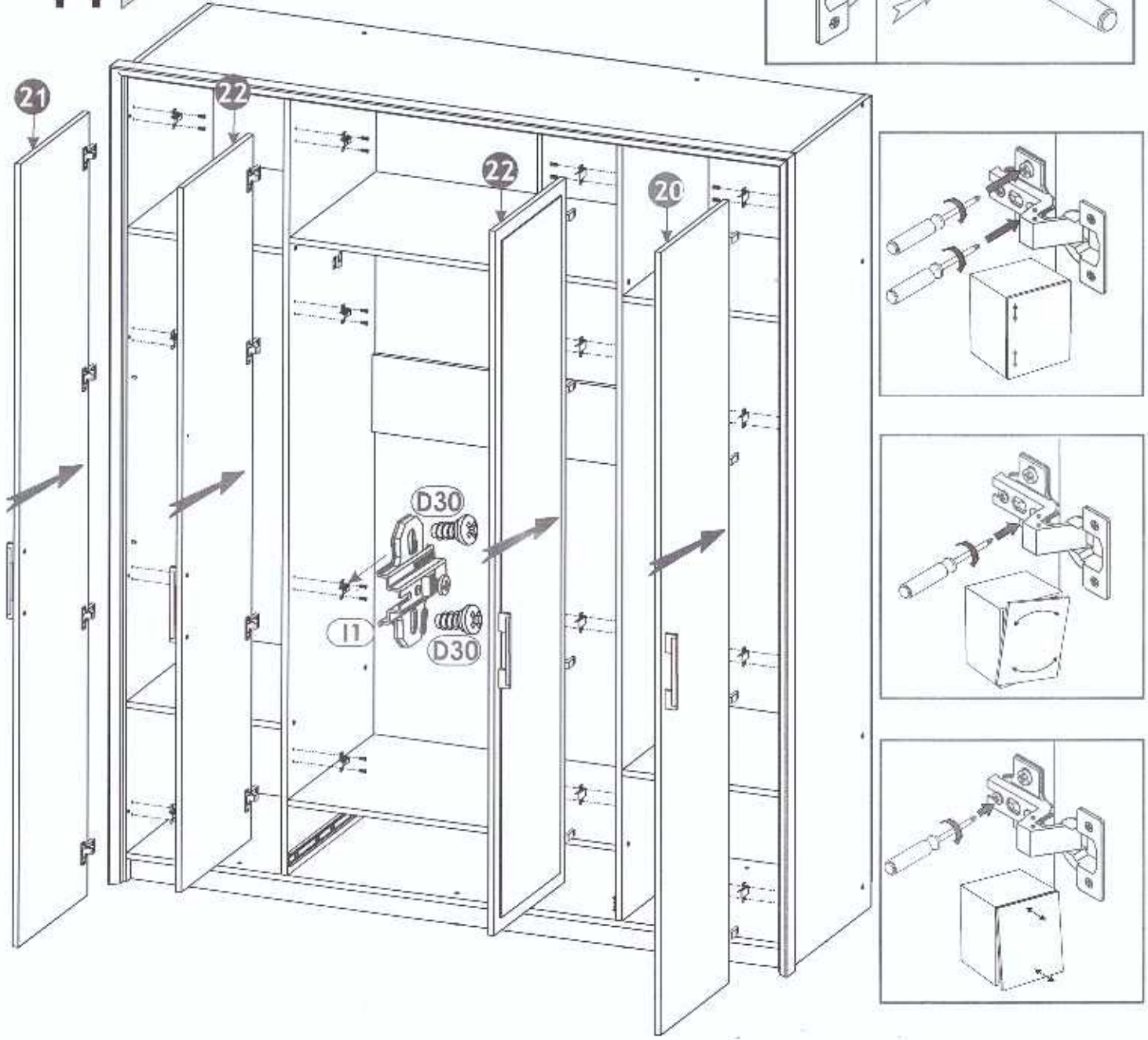
9 ▶



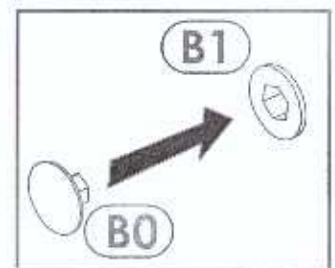
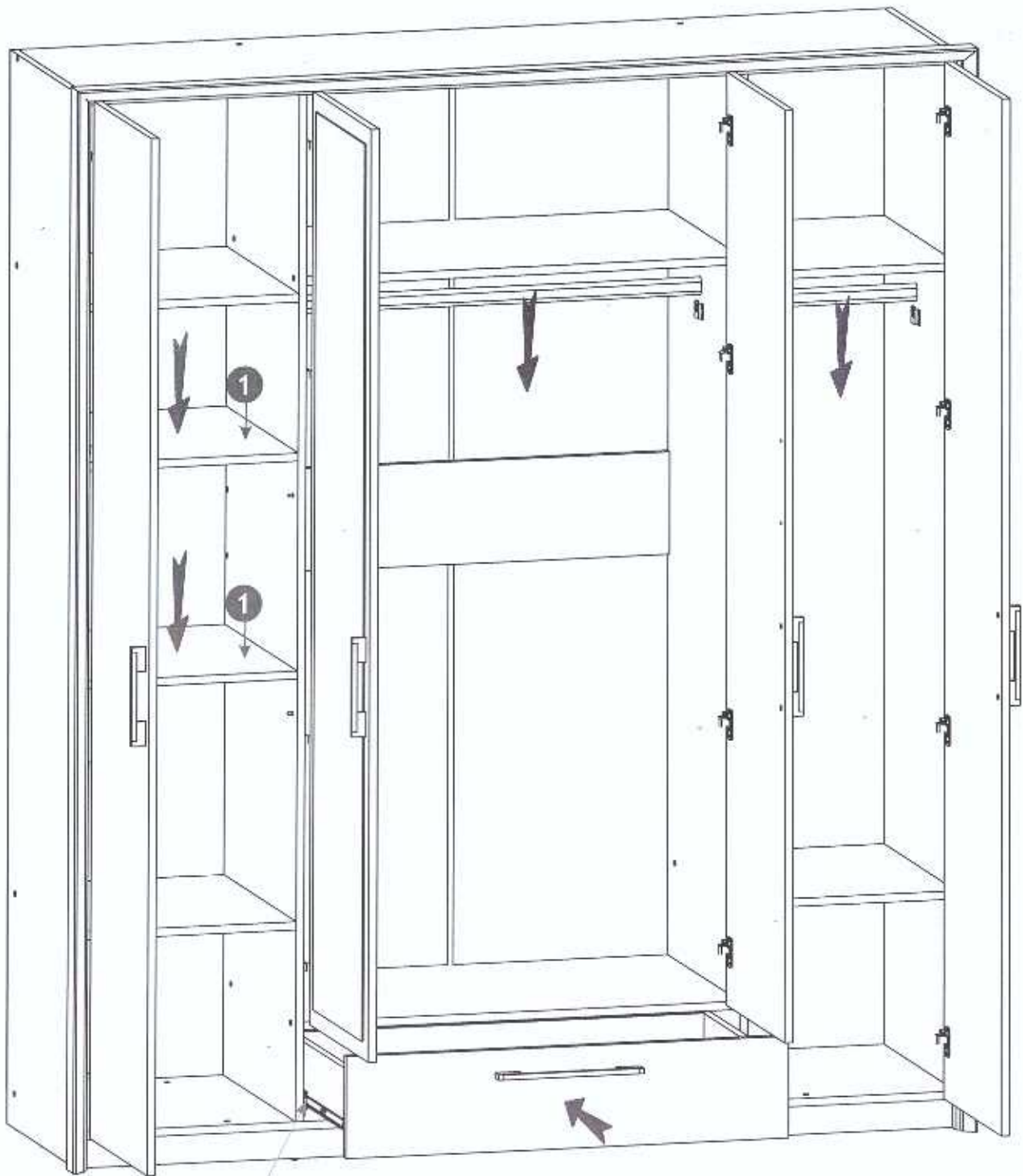
10 ▶

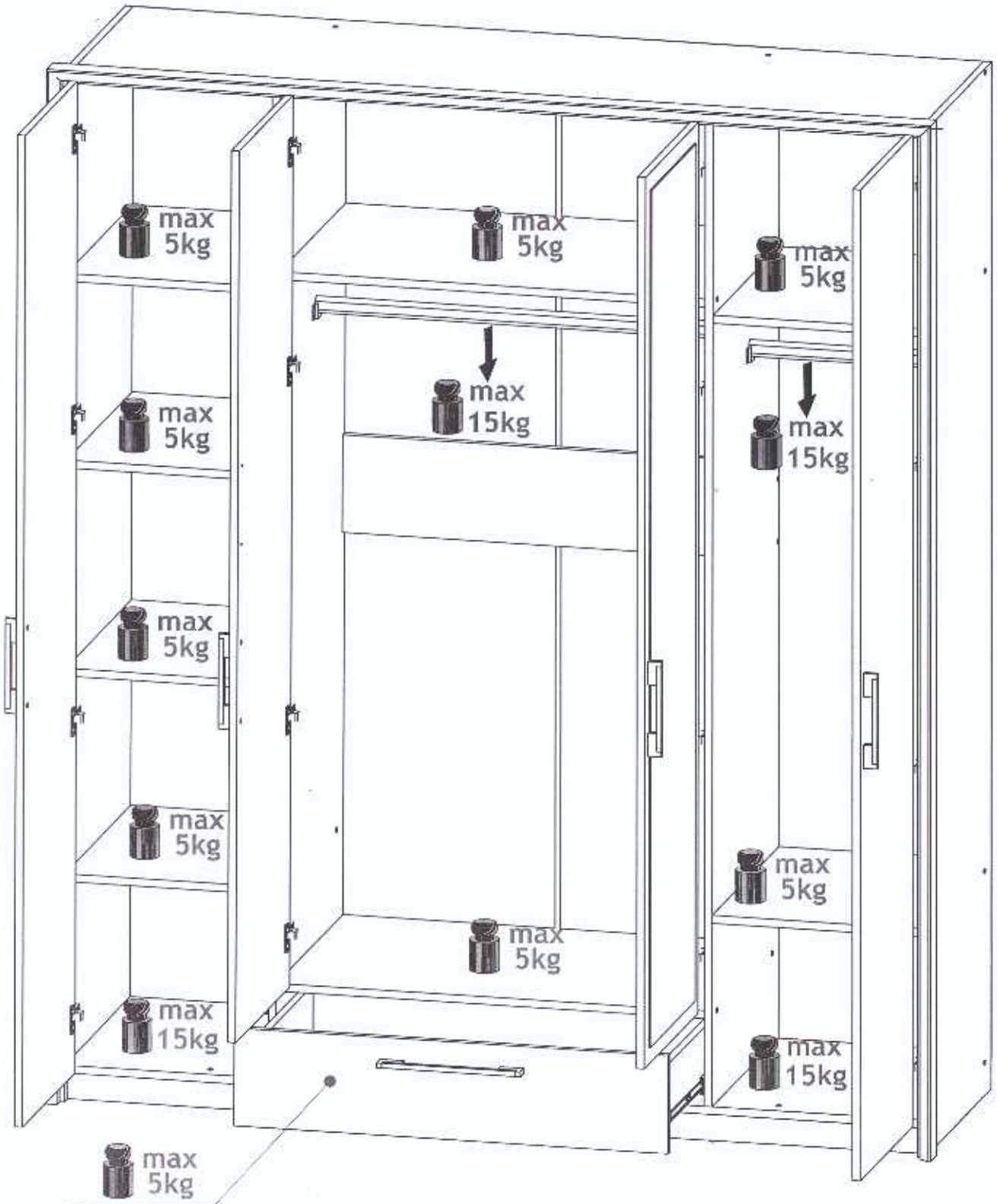


11 ▶

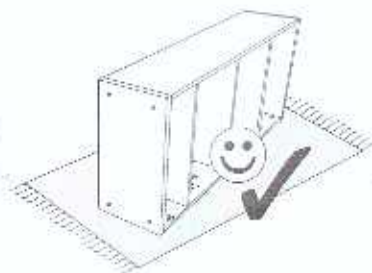
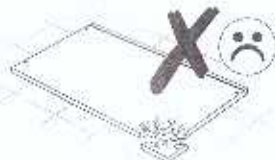
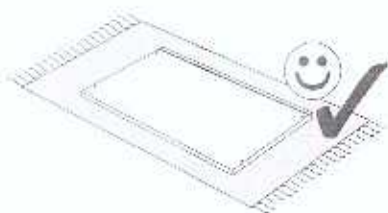
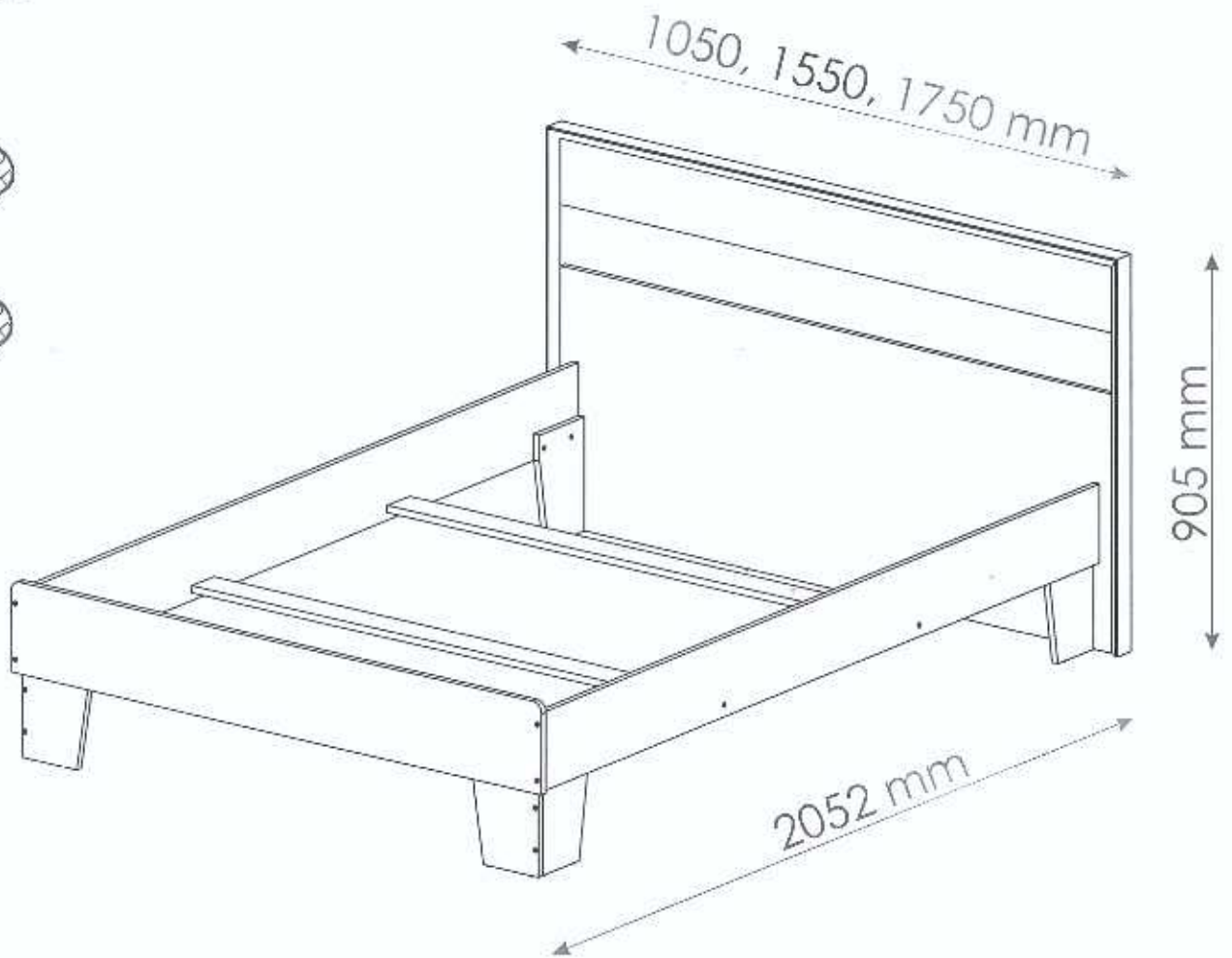
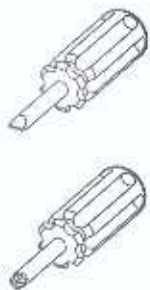
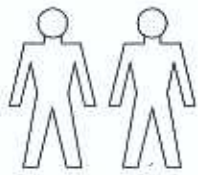


12 ▶

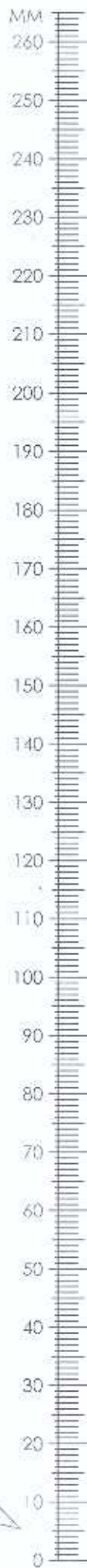











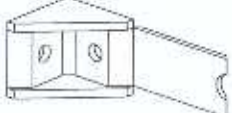


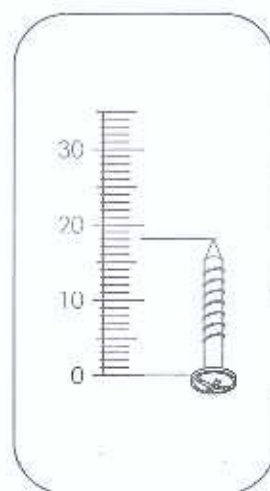
SCARLET Bed 90, 140, 160



SCARLET Bed 90, 140, 160



B0  x4 x8	B1 17 x 50 mm x18 	C2 x13 (90) x12 
C7 x13 (90) x12 16 mm 	D1 3 x 25 mm x12 (90) x8 	D10 4 x 16 mm x4 
D16 4,2 x 28 mm x12 	K x1 4mm 	T3 x14 
 x2		



SCARLET Bed 90, 140, 160

90

1	1000	590	16 x1	1/2
2	1000	150	16 x1	1/2
3	900	80	16 x2	1/2
4	940	210	16 x1	1/2
5	260	180	16 x2	1/2
6	1013	200	16 x1	1/2
7	260	160	16 x2	1/2
8	260	160	16 x2	1/2
9	2000	180	16 x1	2/2
10	905	55	25 x1	2/2
11	905	55	25 x1	2/2
12	1050	55	25 x1	2/2
				1/2

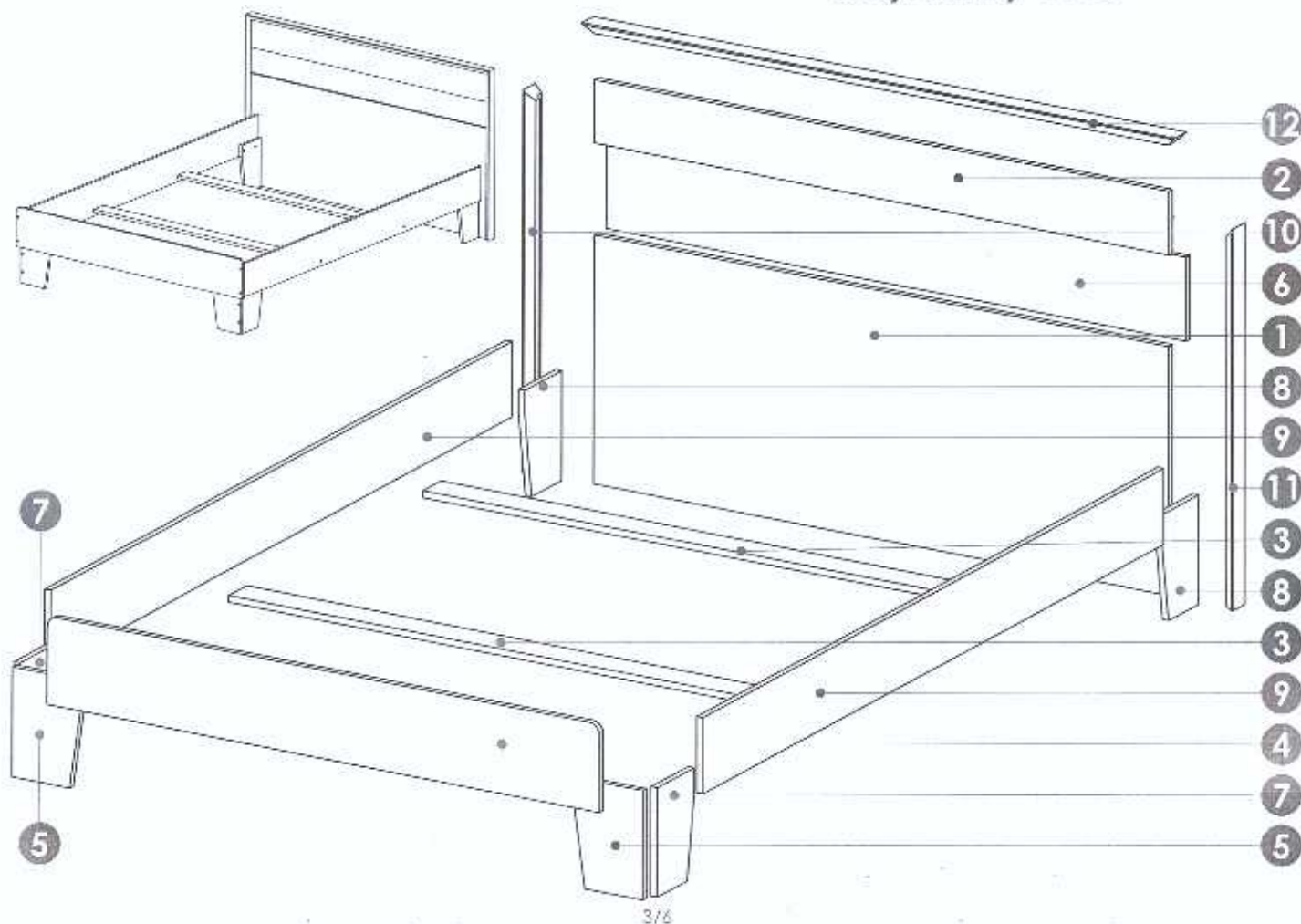
140

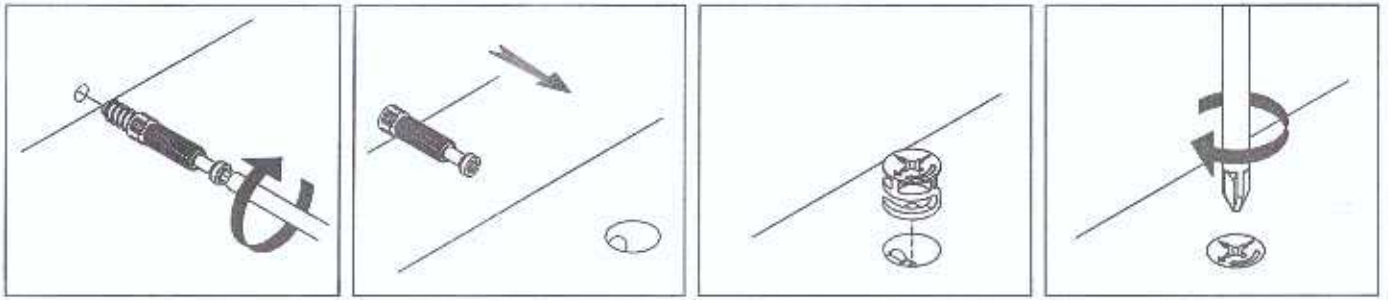
1	1500	590	16 x1	1/2
2	1500	150	16 x1	1/2
3	1400	80	16 x2	1/2
4	1440	210	16 x1	1/2
5	260	180	16 x2	1/2
6	1513	200	16 x1	1/2
7	260	160	16 x2	1/2
8	260	160	16 x2	1/2
9	2000	180	16 x1	2/2
10	905	55	25 x1	2/2
11	905	55	25 x1	2/2
12	1050	55	25 x1	2/2
				1/2

160

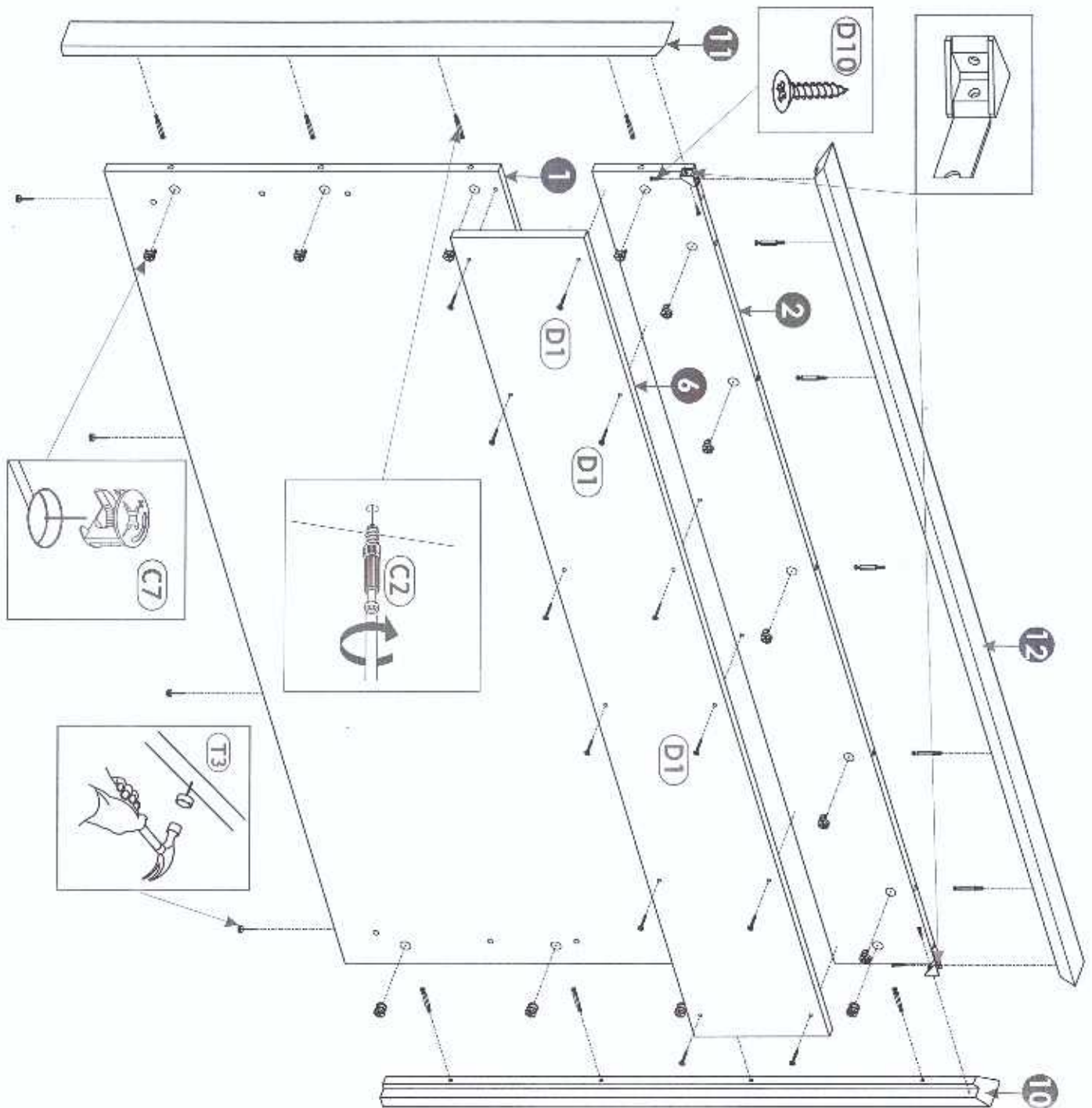
1	1700	590	16 x1	1/2
2	1700	150	16 x1	1/2
3	1600	80	16 x2	1/2
4	1640	210	16 x1	1/2
5	260	180	16 x2	1/2
6	1713	200	16 x1	1/2
7	260	160	16 x2	1/2
8	260	160	16 x2	1/2
9	2000	180	16 x1	2/2
10	905	55	25 x1	2/2
11	905	55	25 x1	2/2
12	1050	55	25 x1	2/2
				1/2

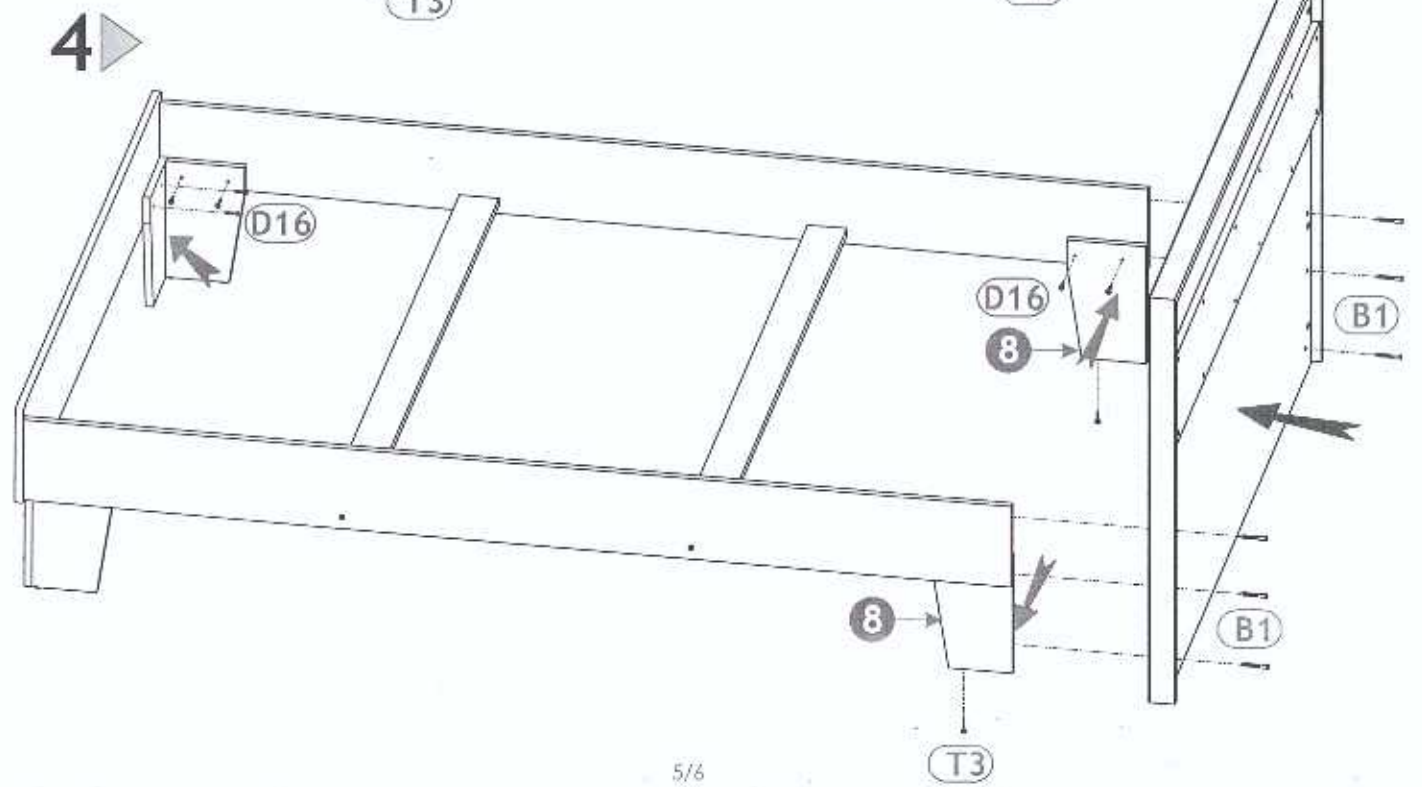
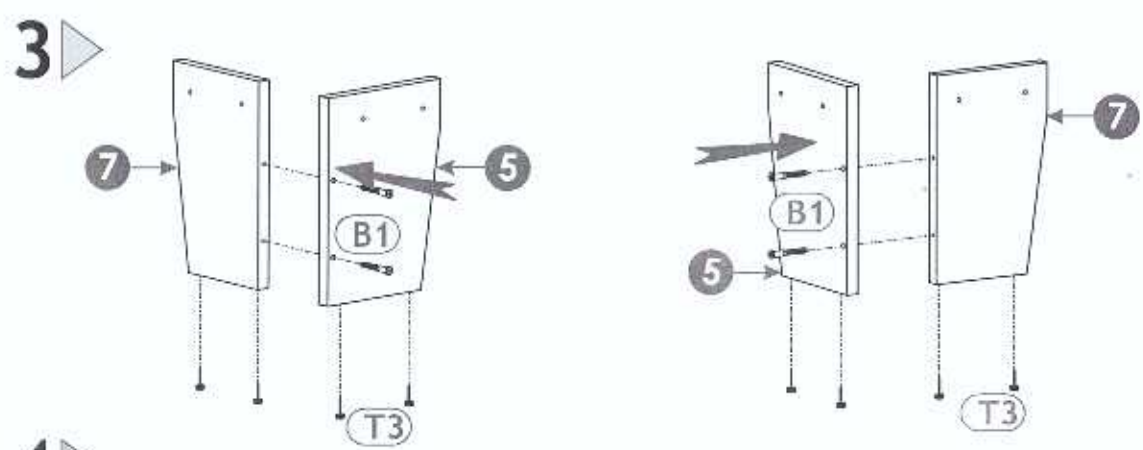
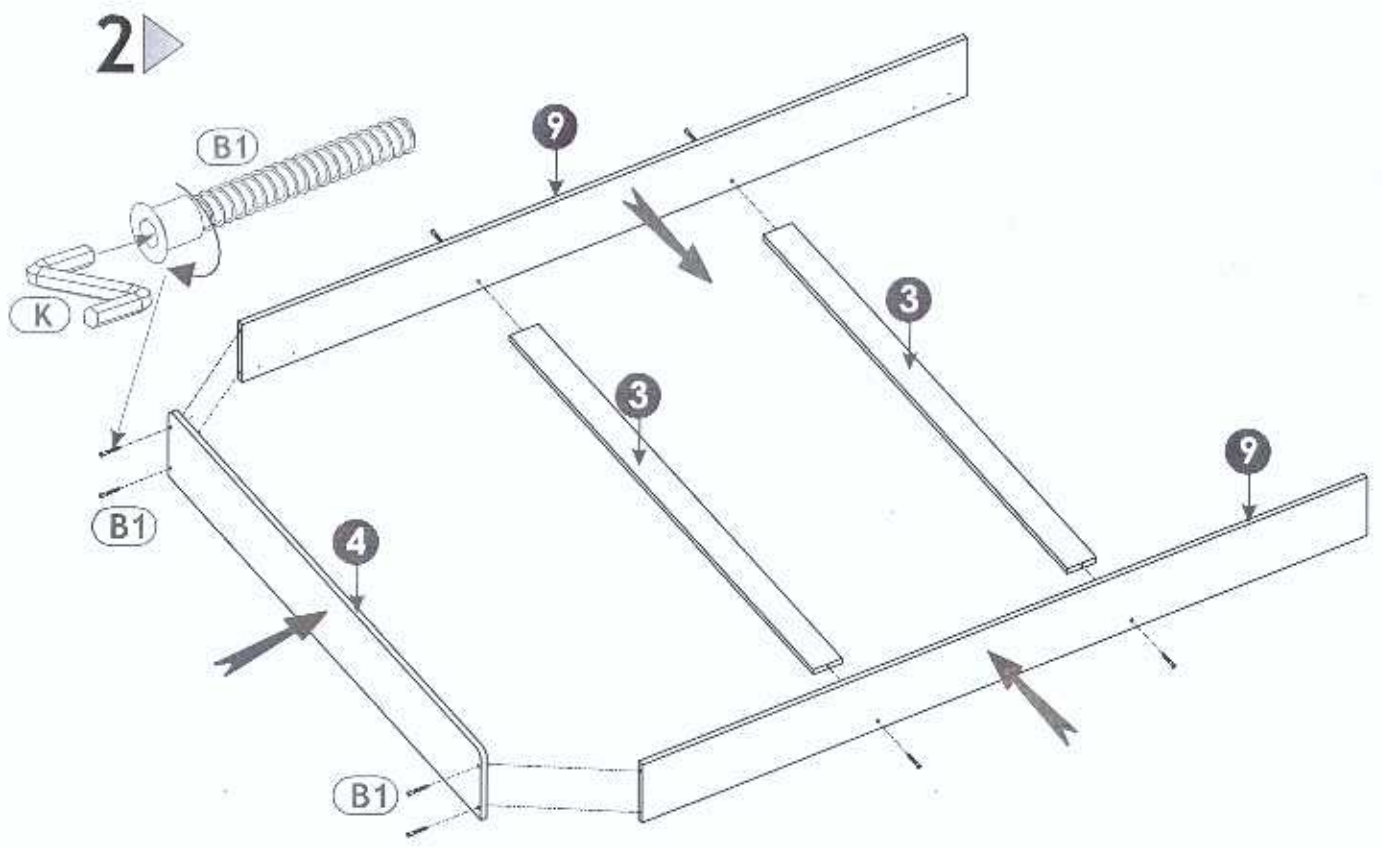
90/140/160

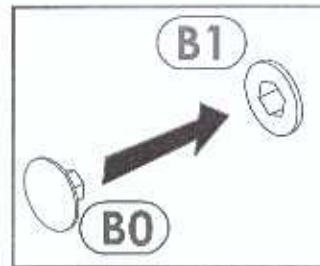
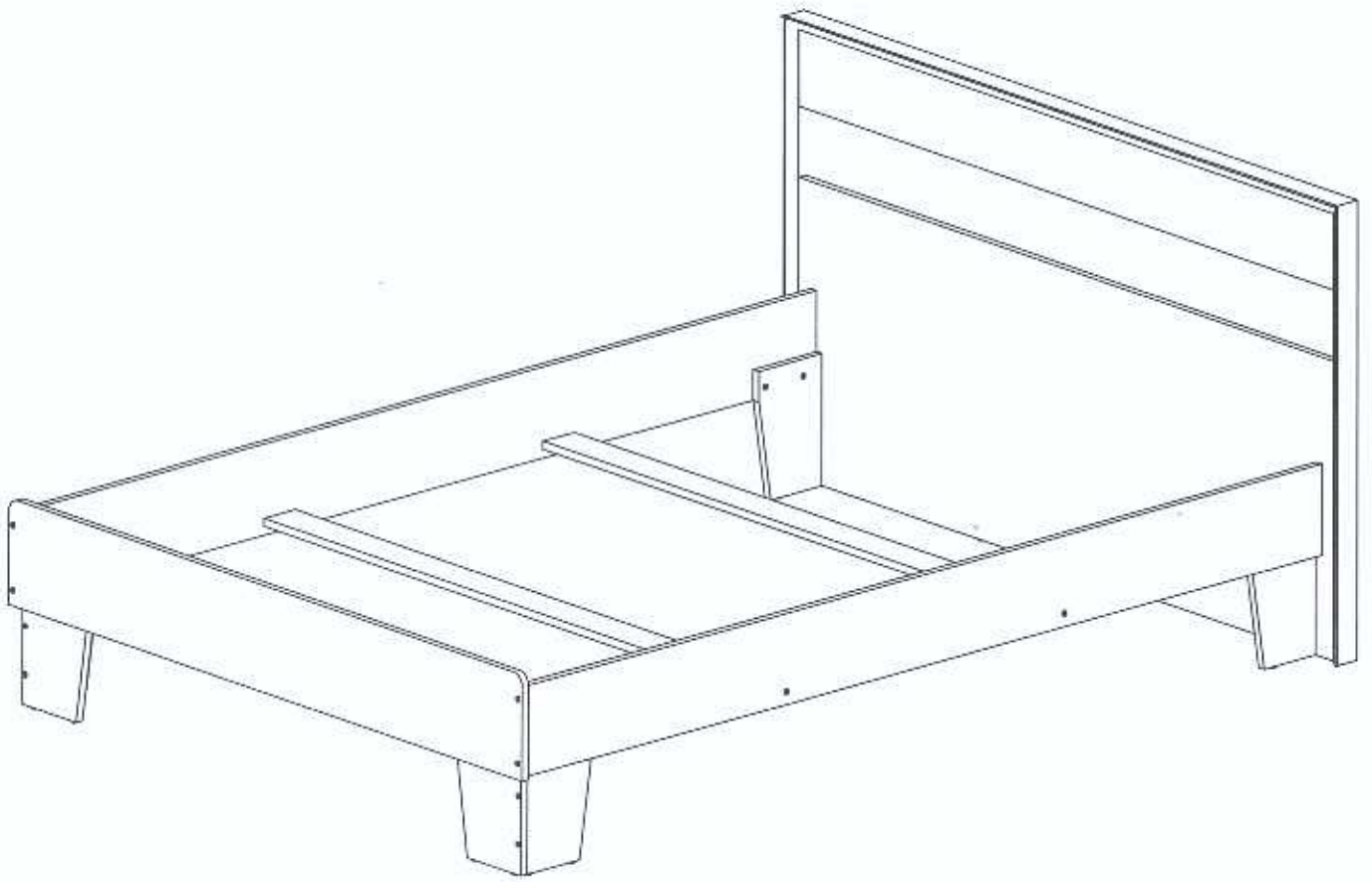




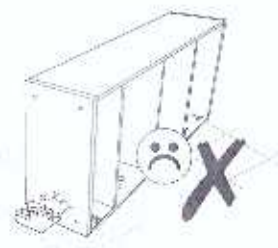
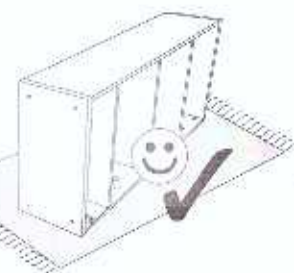
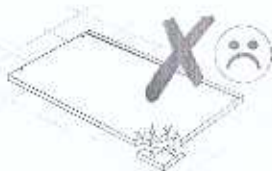
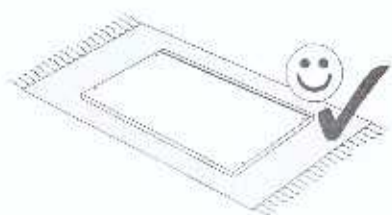
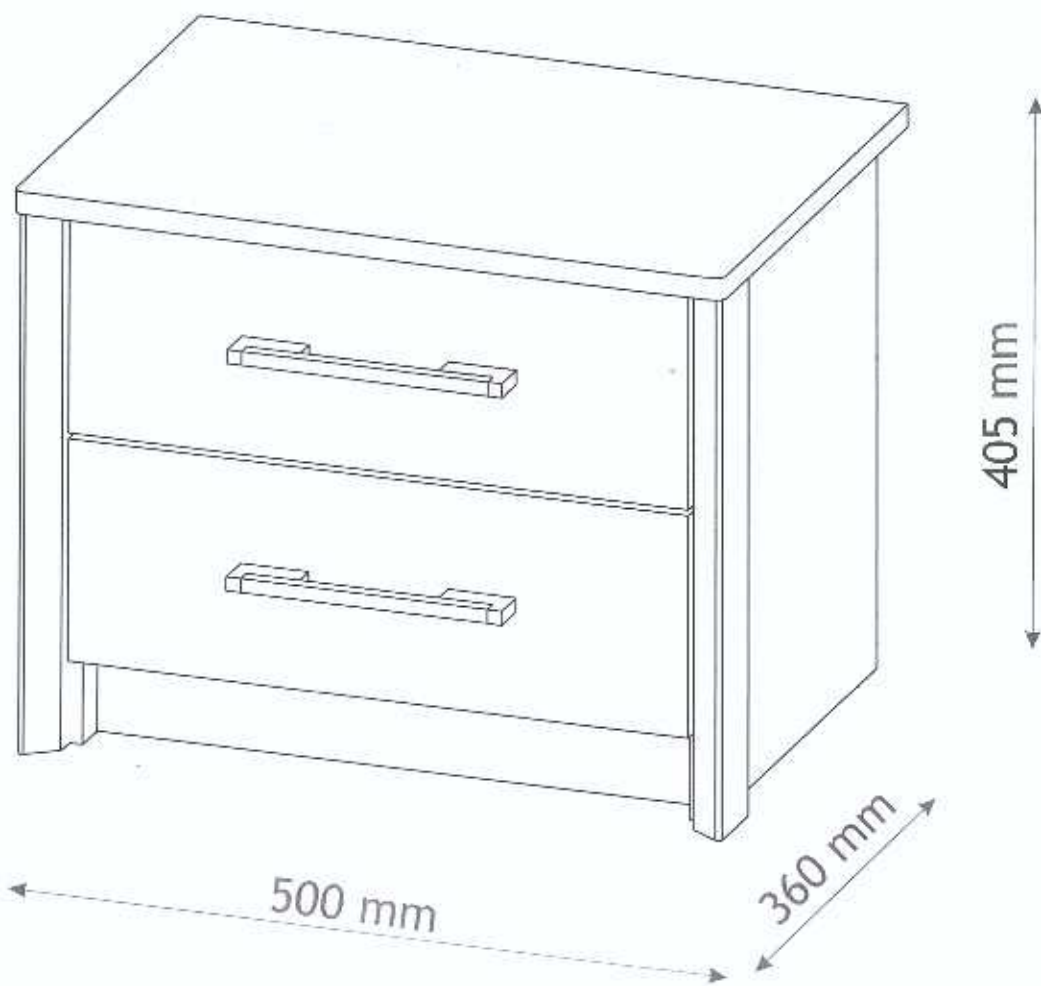
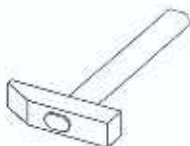
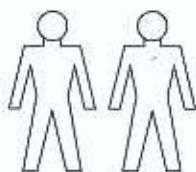
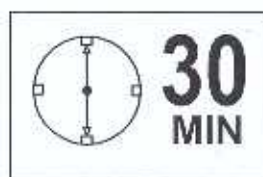
1 ▶



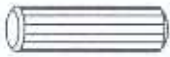

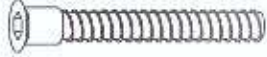


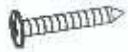
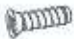
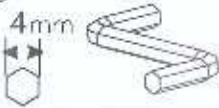



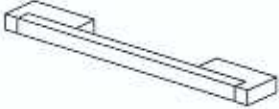


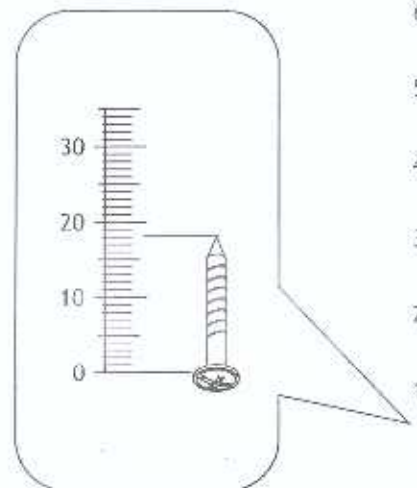
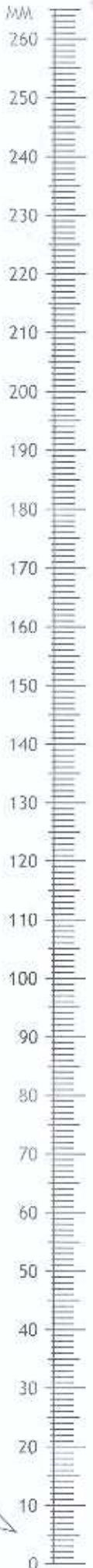


SCARLET Bedside cabinet

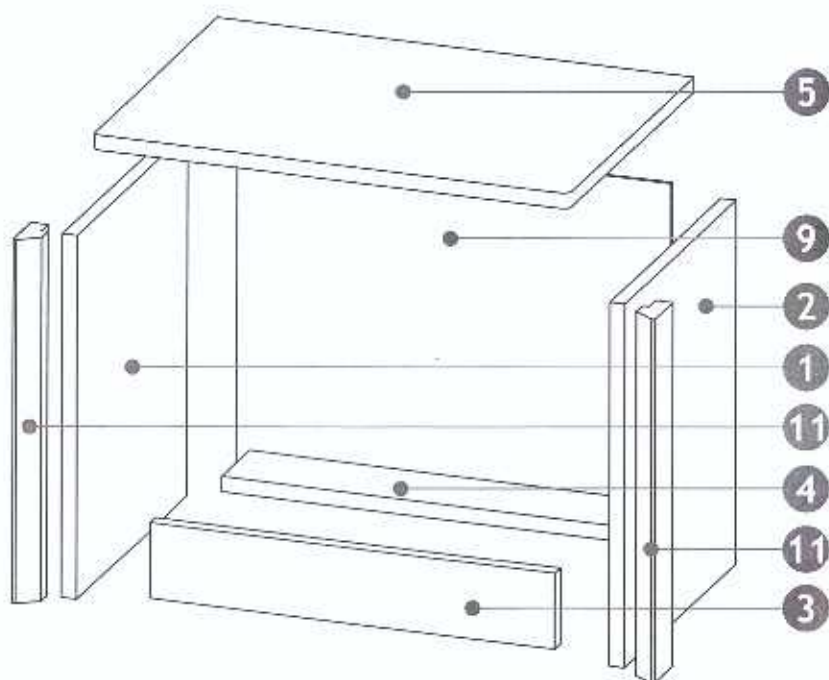
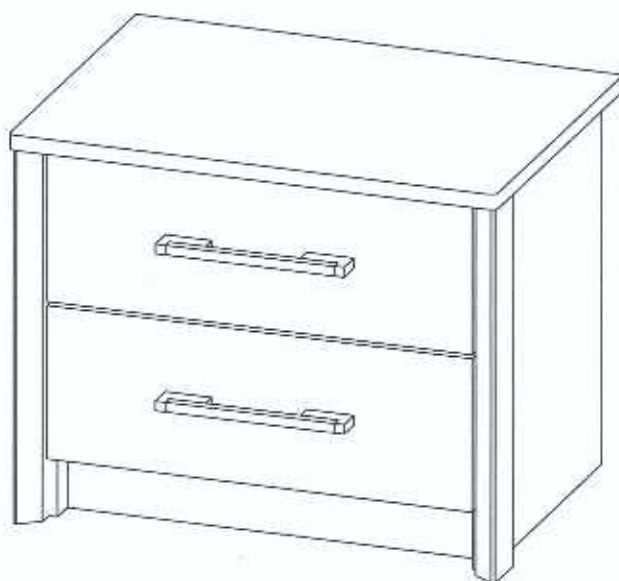
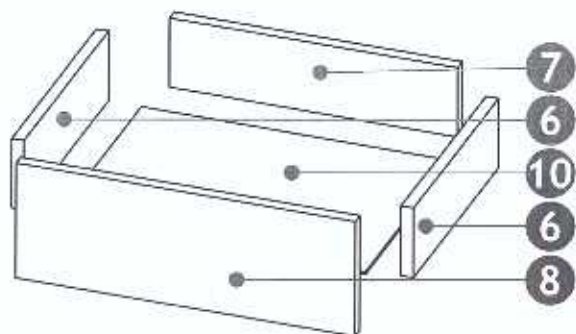


SCARLET Bedside cabinet

(A0) 8 x 32mm x16 	(B0)  x4	(B1) 1.7 x 50 mm x8 
(D0) 3 x 15 mm x8 	(D1) 3 x 25 mm x4 	(D16) 4,2 x 28 mm x4 
(D21) 5 x 13 mm x20 	(K) 4mm  x1	(N6)  L-300mm x2
(T3)  x4	(T8)  x40	 x2

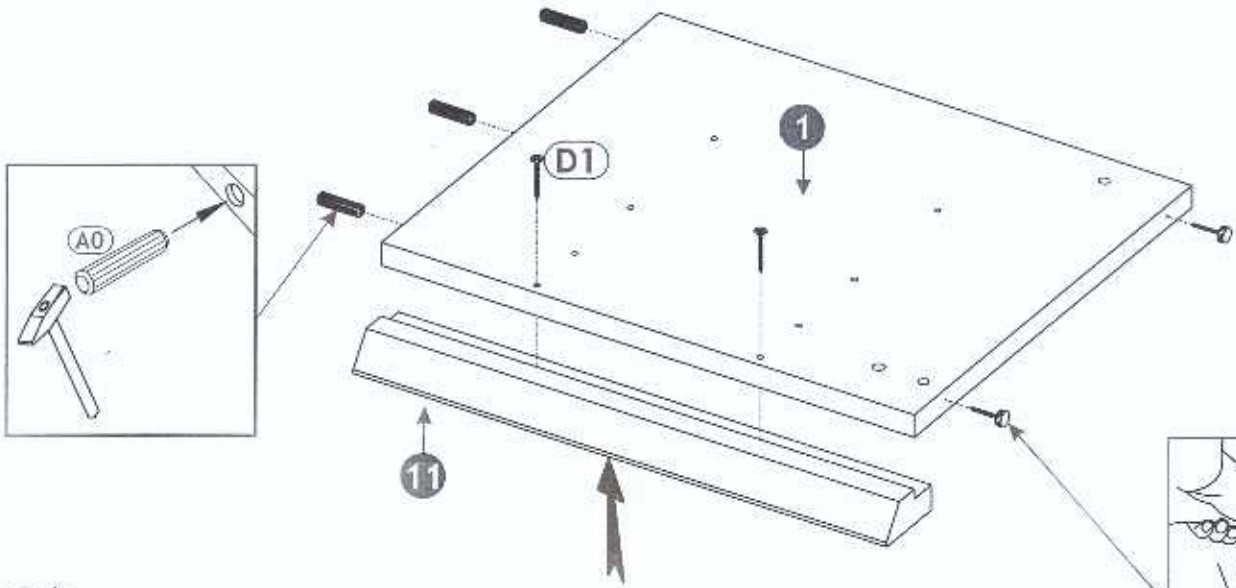


SCARLET Bedside cabinet

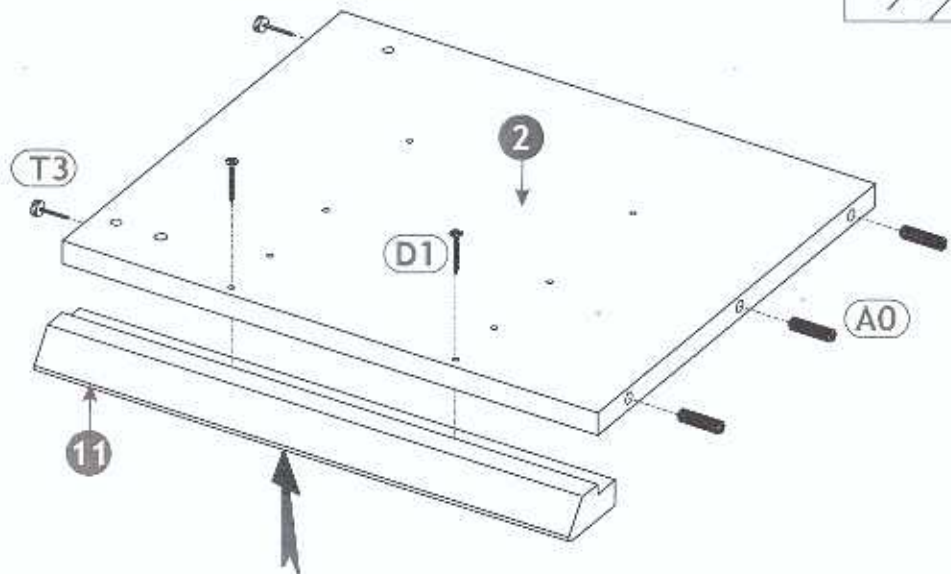


1	384	320	16	x1	1/1
2	384	320	16	x1	1/1
3	428	80	16	x1	1/1
4	428	80	16	x1	1/1
5	502	361	16	x1	1/1
6	300	95	16	x4	1/1
7	371	95	16	x2	1/1
8	438	157	16	x2	1/1
9	350	456	2,5	x1	1/1
10	305	401	2,5	x2	1/1
11	384	55	25	x2	1/1
					1/1

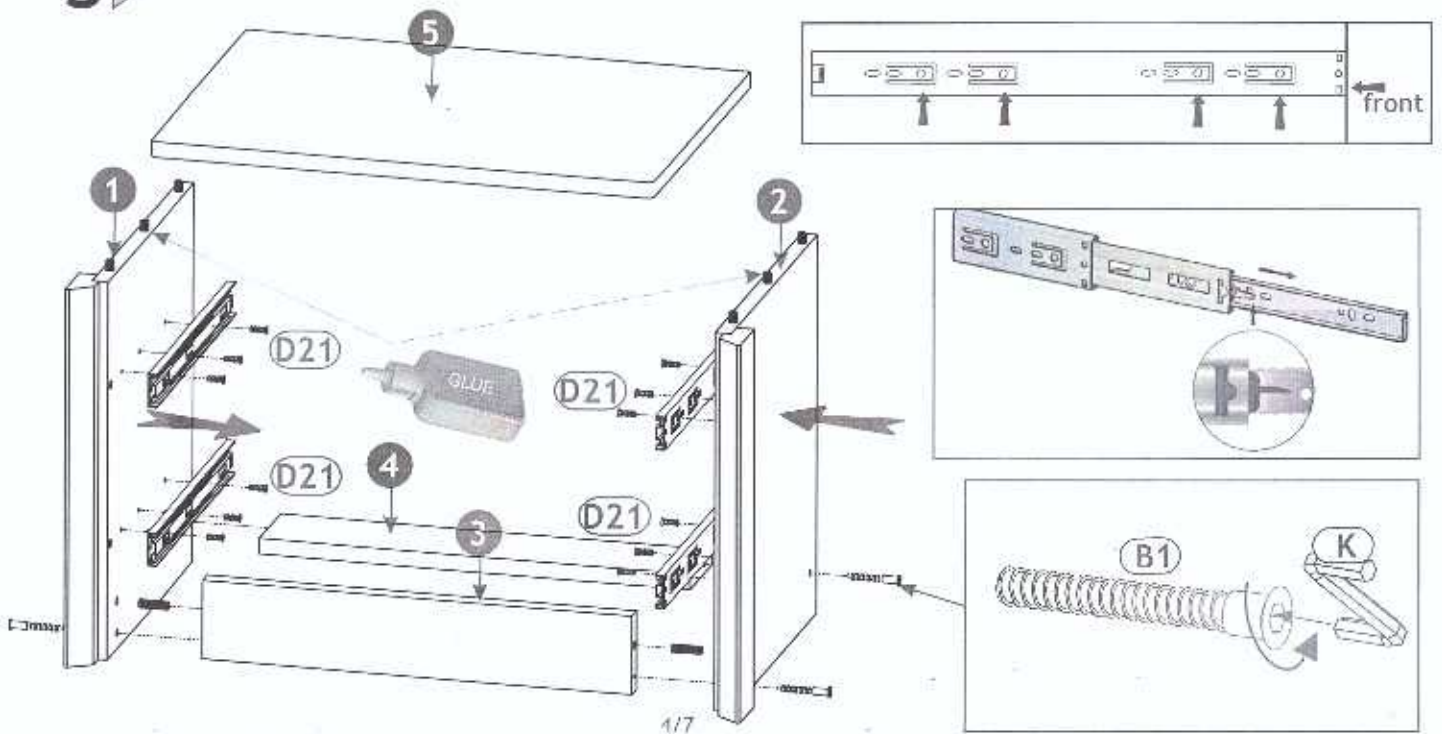
1 ▶



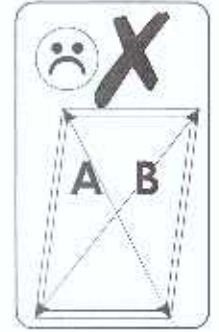
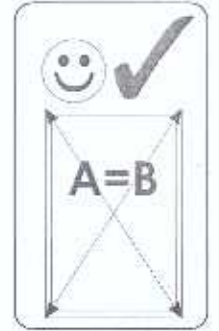
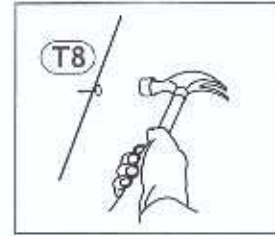
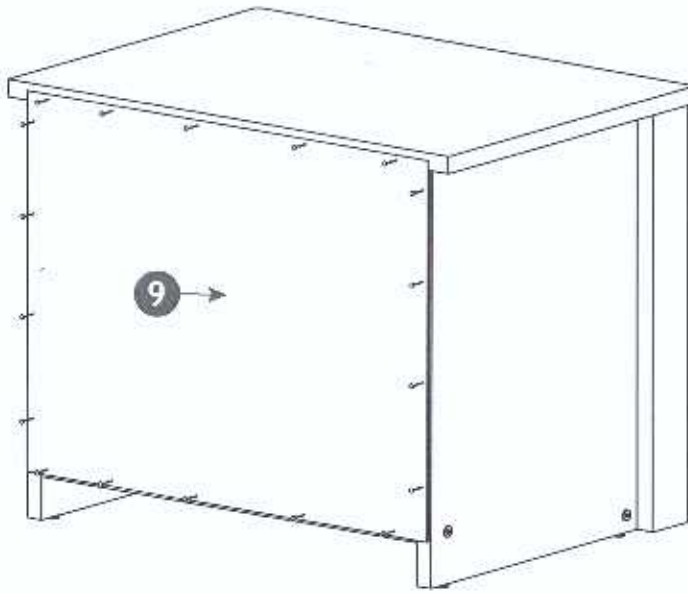
2 ▶



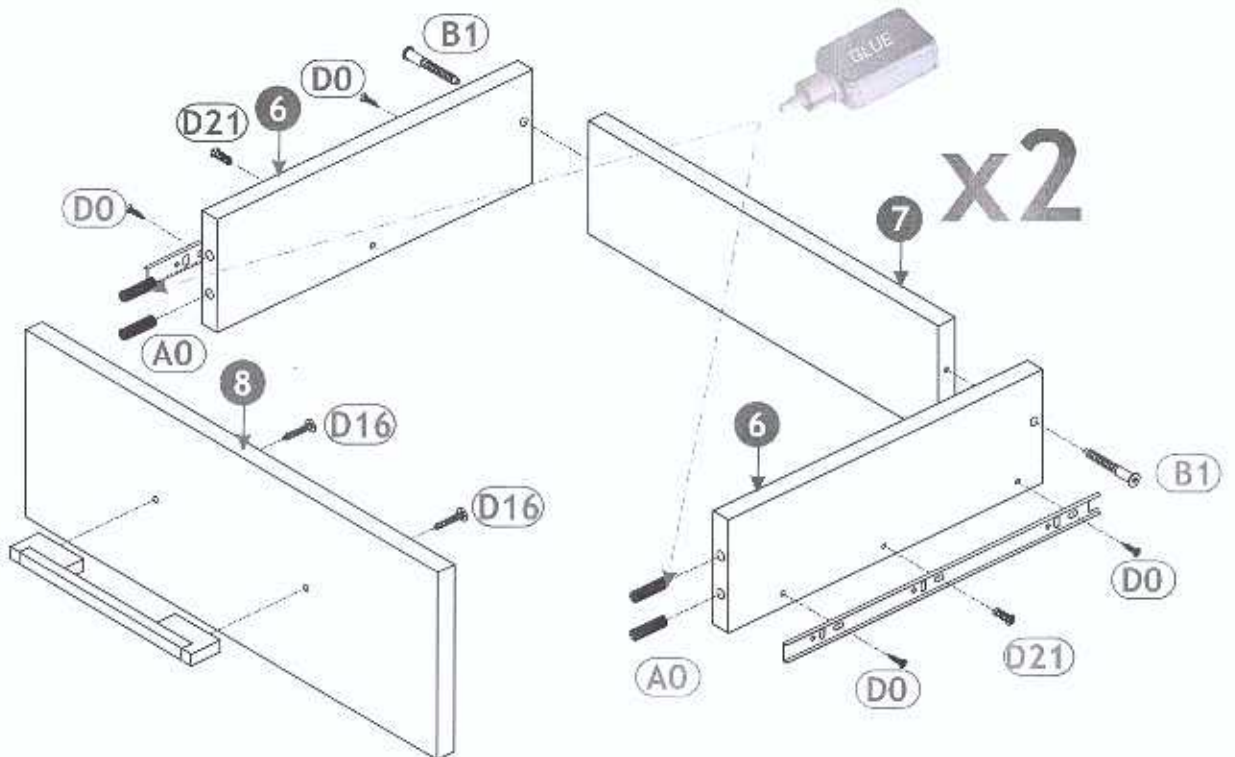
3 ▶



4 ▶

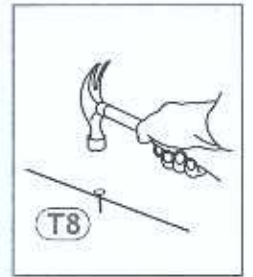
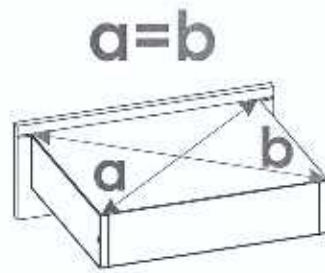
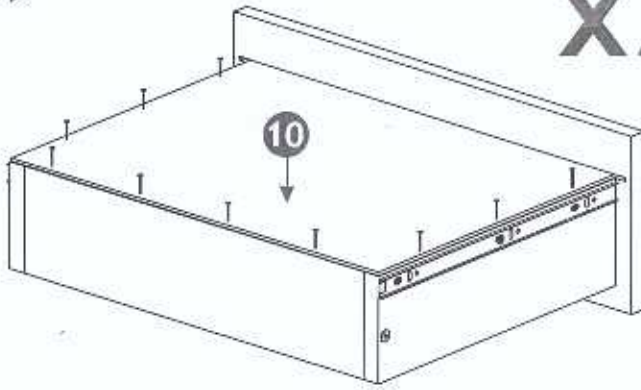


5 ▶

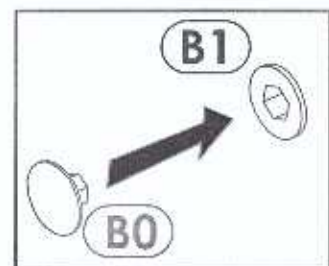
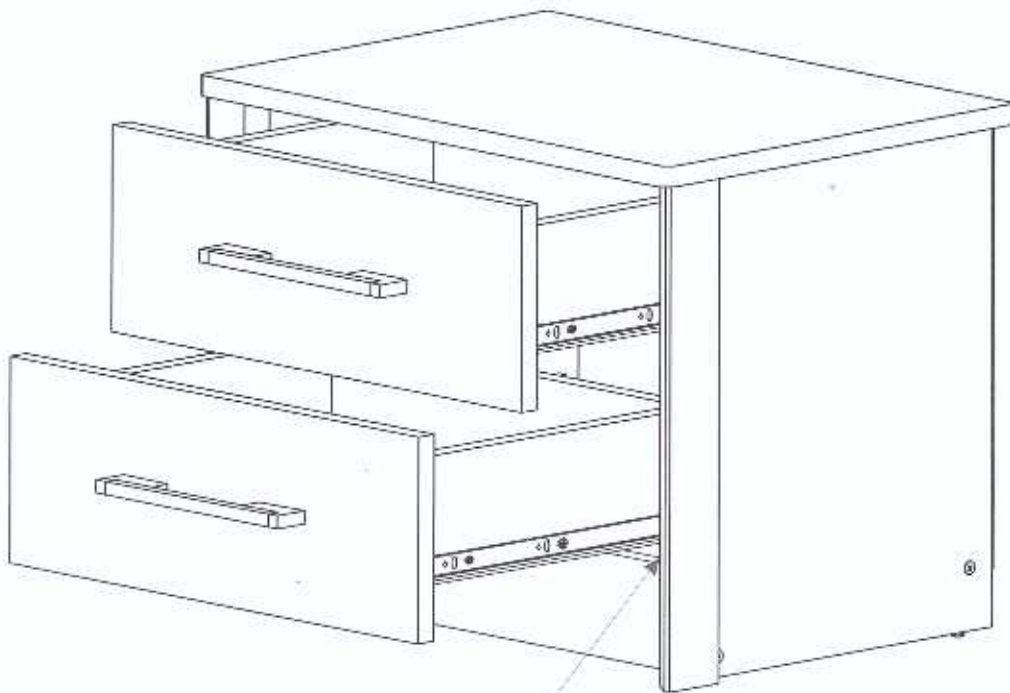


6 ▶

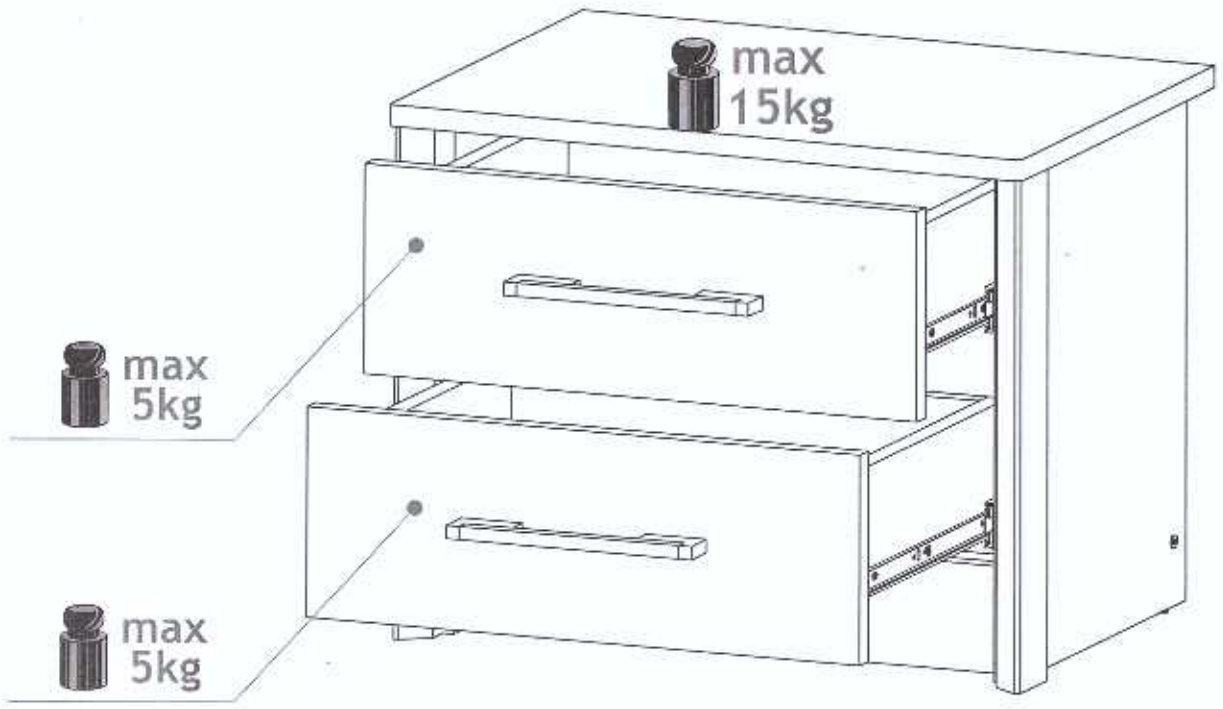
x2



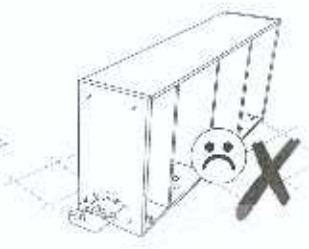
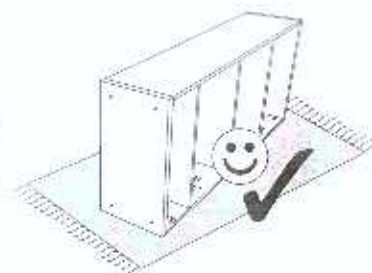
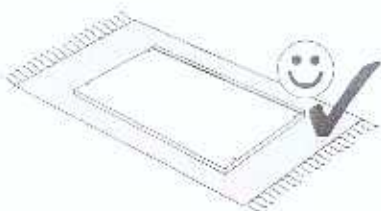
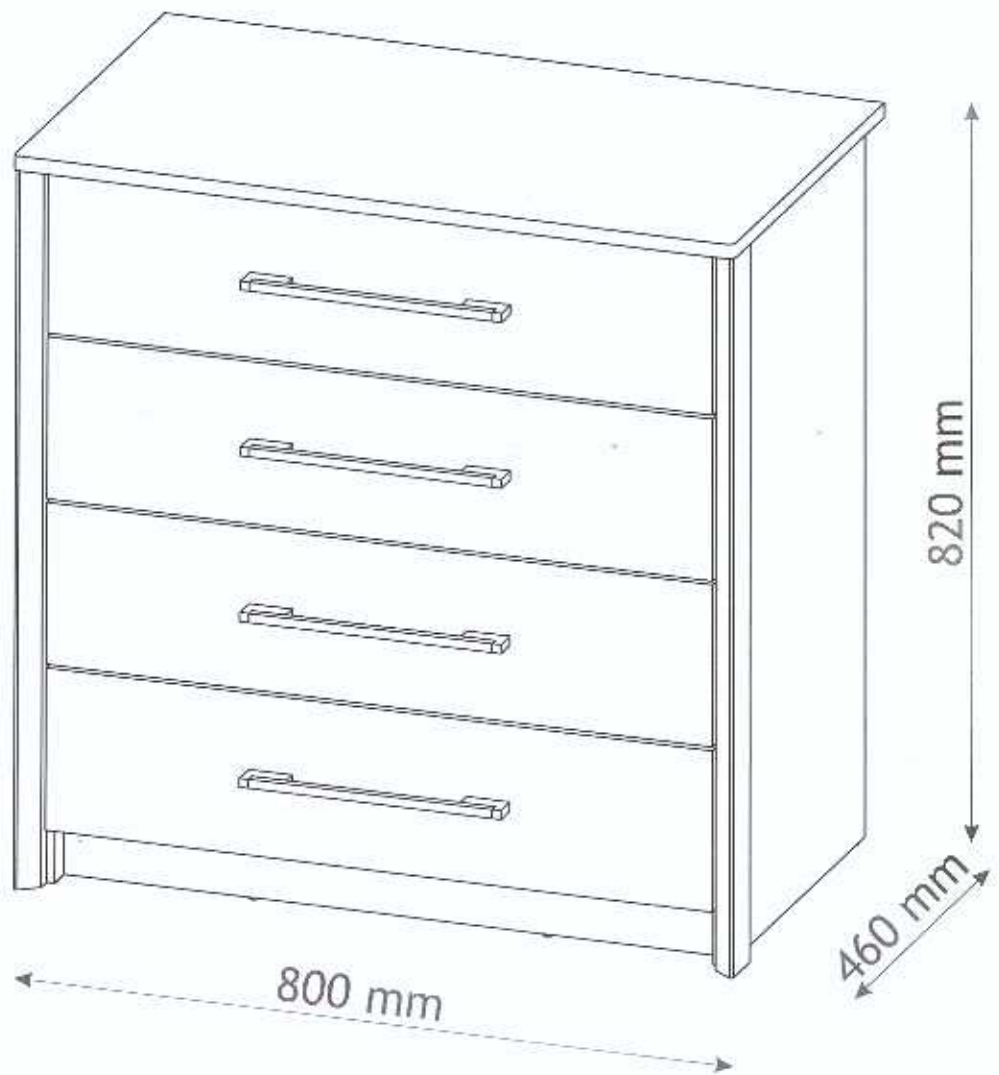
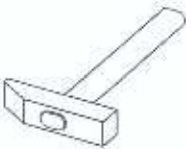
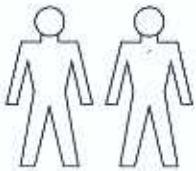
7 ▶









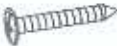






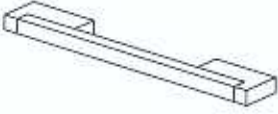

8 ▶

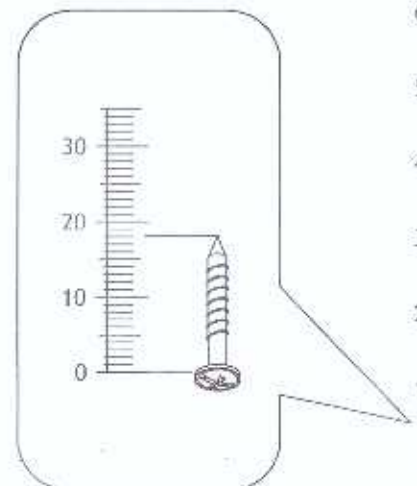


SCARLET Chest of drawers 800

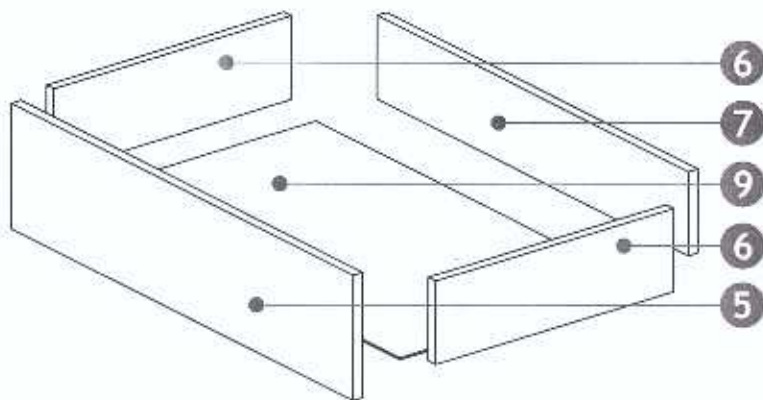


SCARLET Chest of drawers 800

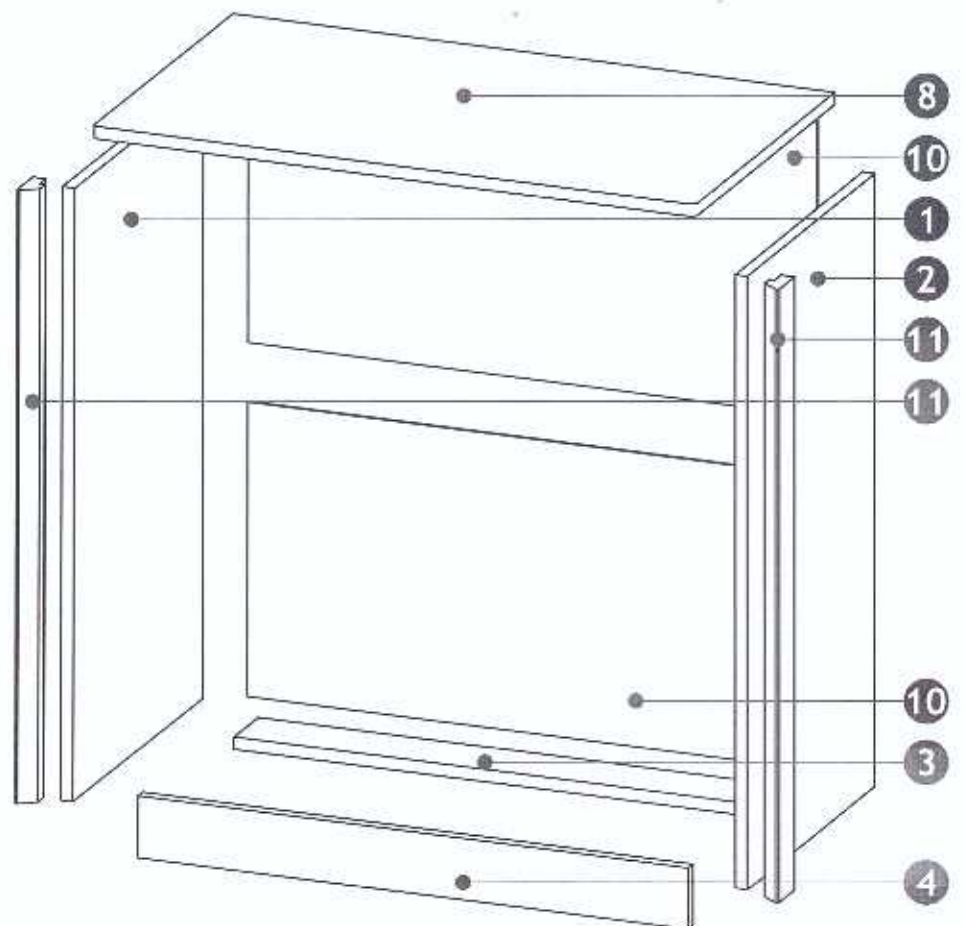
(A0) 8 x 32mm x32 	(B0)  x4	(B1) f 7 x 50 mm x20 
(D0) 3 x 15 mm x16 	(D1) 3 x 25 mm x8 	(D10) 4 x 16 mm x8 
(D16) 4,2 x 28 mm x8 	(D21) 5 x 13 mm x40 	(K) 4mm  x1
(N8)  L-400mm x4	(R5)  x1	(T3)  x8
(T8)  x100	 x4	 x4



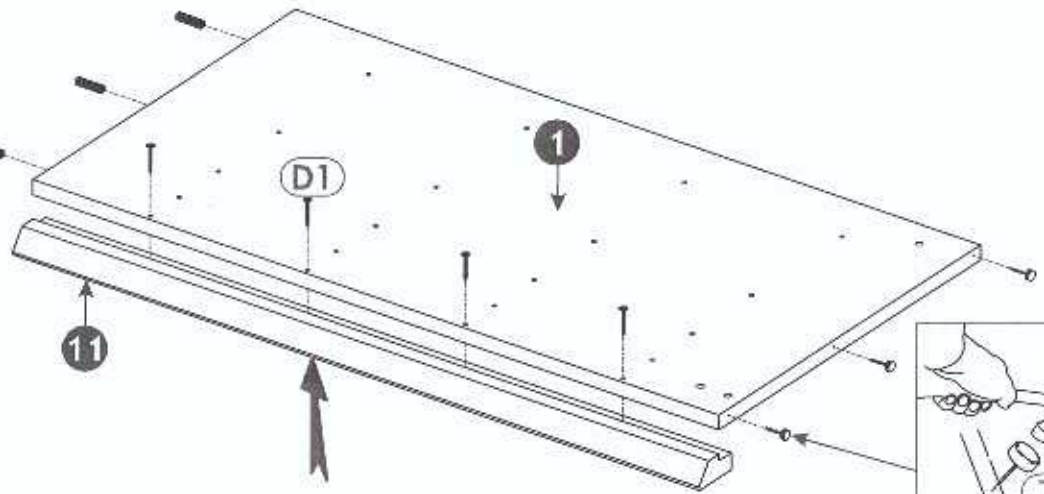
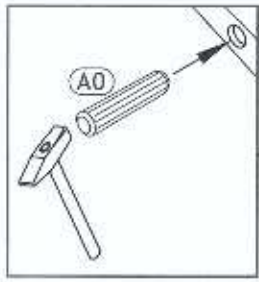
SCARLET Chest of drawers 800



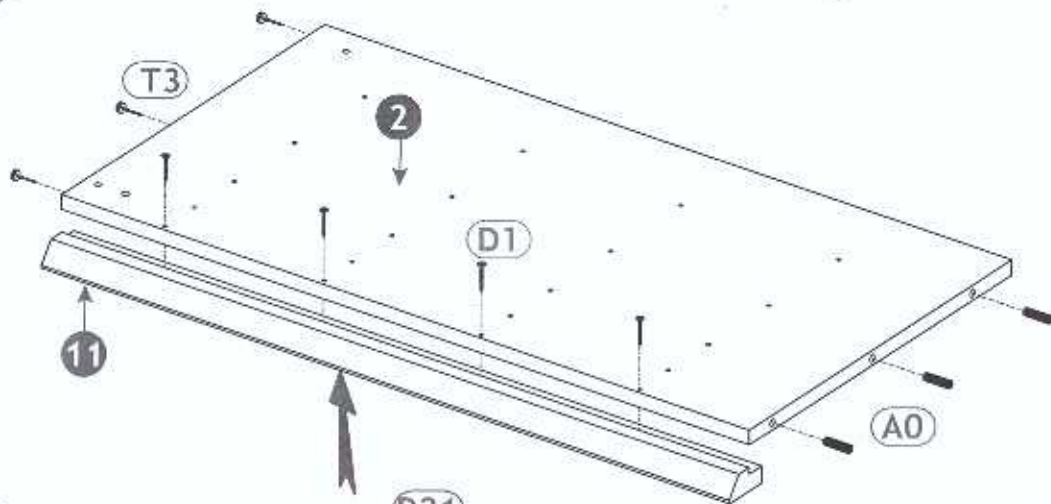
1	800	420	16	x1	1/1
2	800	420	16	x1	1/1
3	728	80	16	x1	1/1
4	728	80	16	x1	1/1
5	738	180	16	x4	1/1
6	400	120	16	x8	1/1
7	671	120	16	x4	1/1
8	800	460	16	x1	1/1
9	700	405	2,5	x4	1/1
10	384	756	2,5	x2	1/1
11	800	55	25	x2	1/1
					1/1



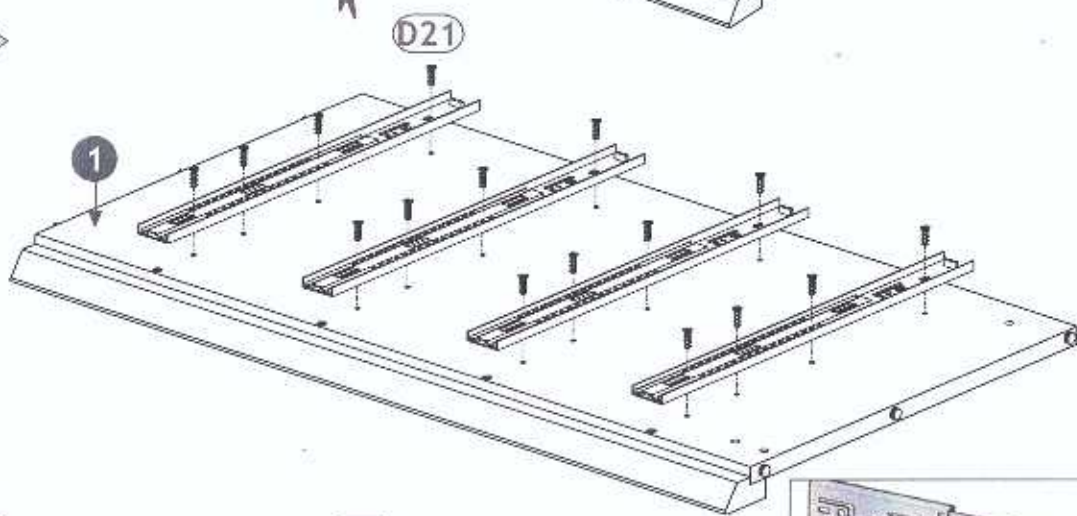
1 ▶



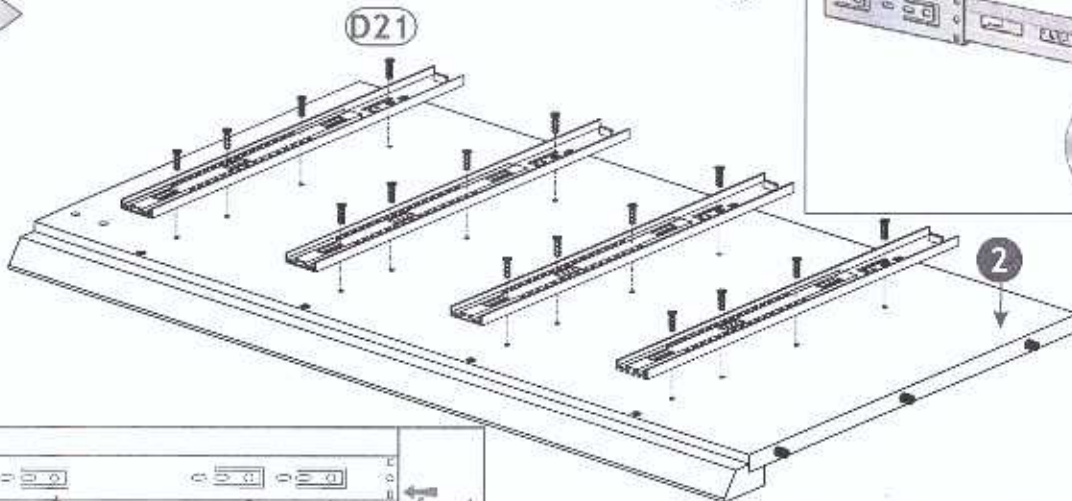
2 ▶



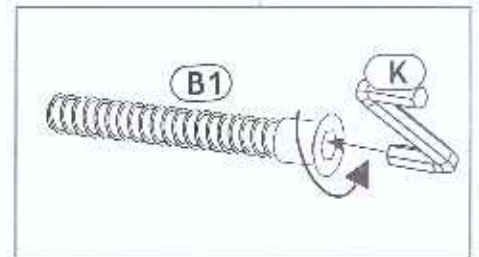
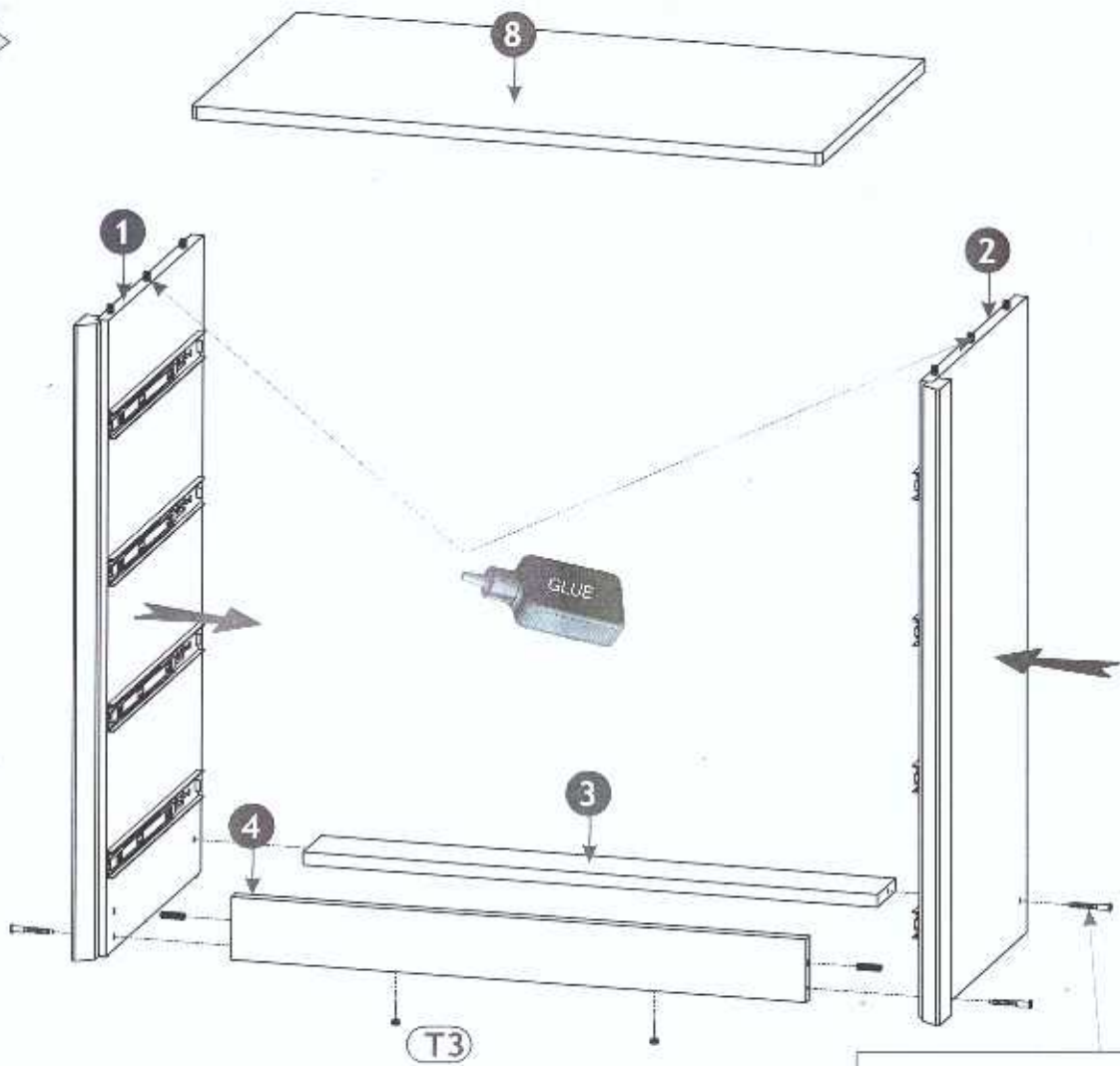
3 ▶



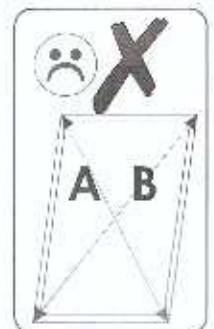
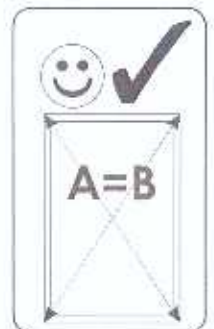
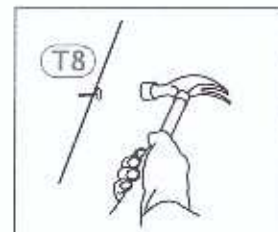
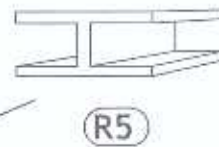
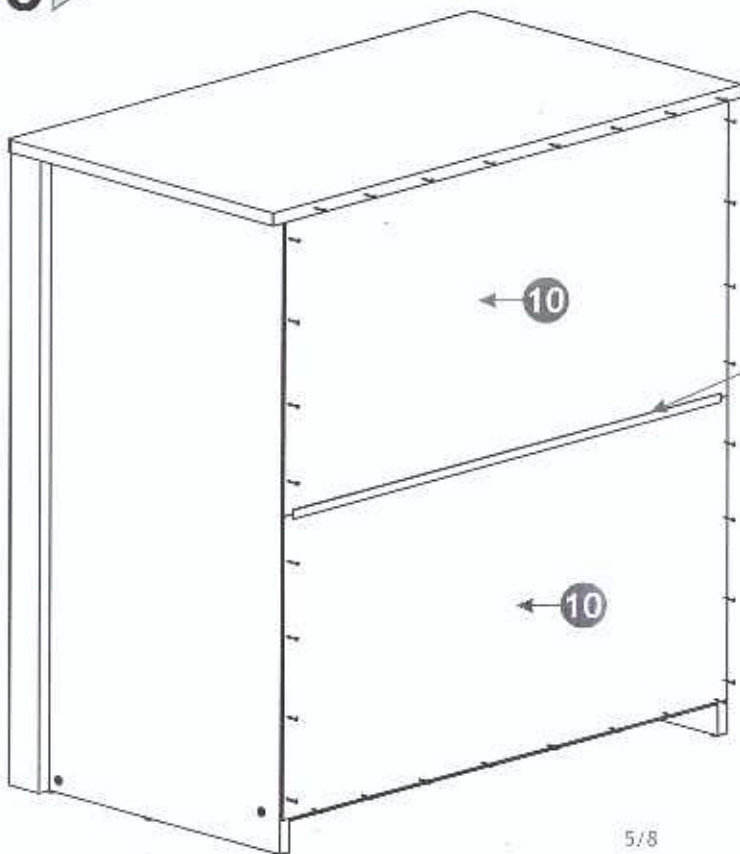
4 ▶



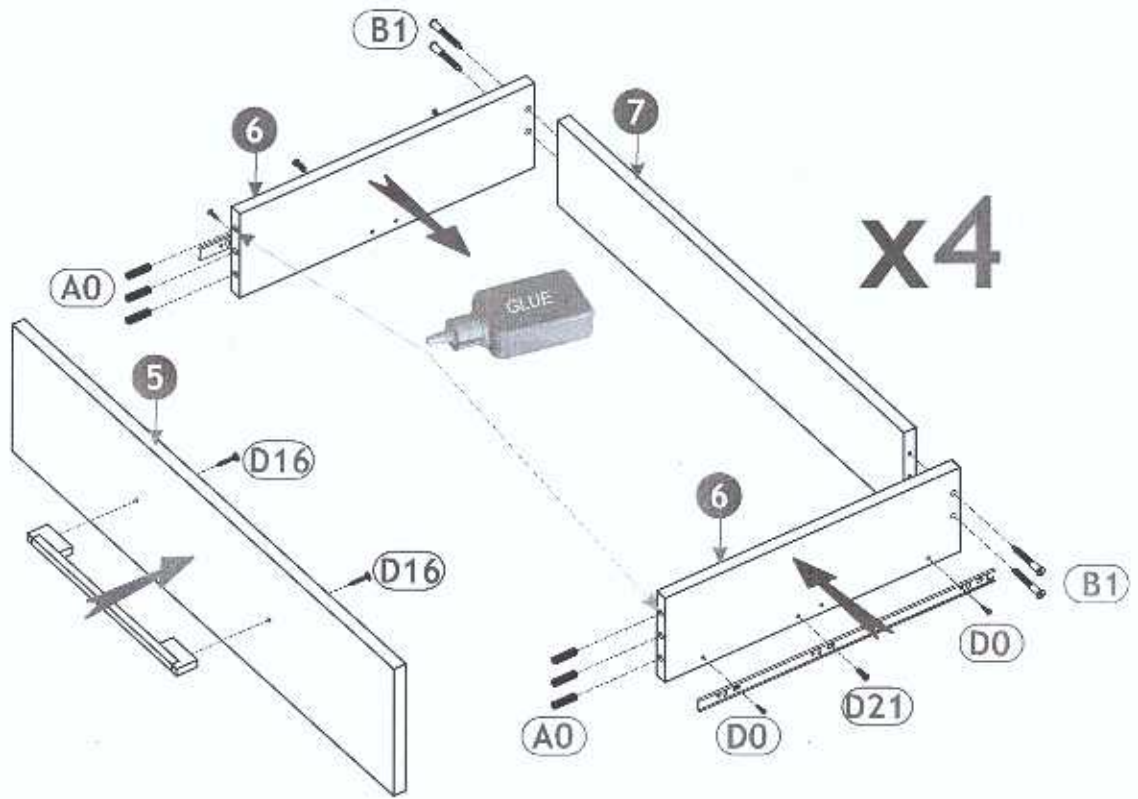
5 ▶



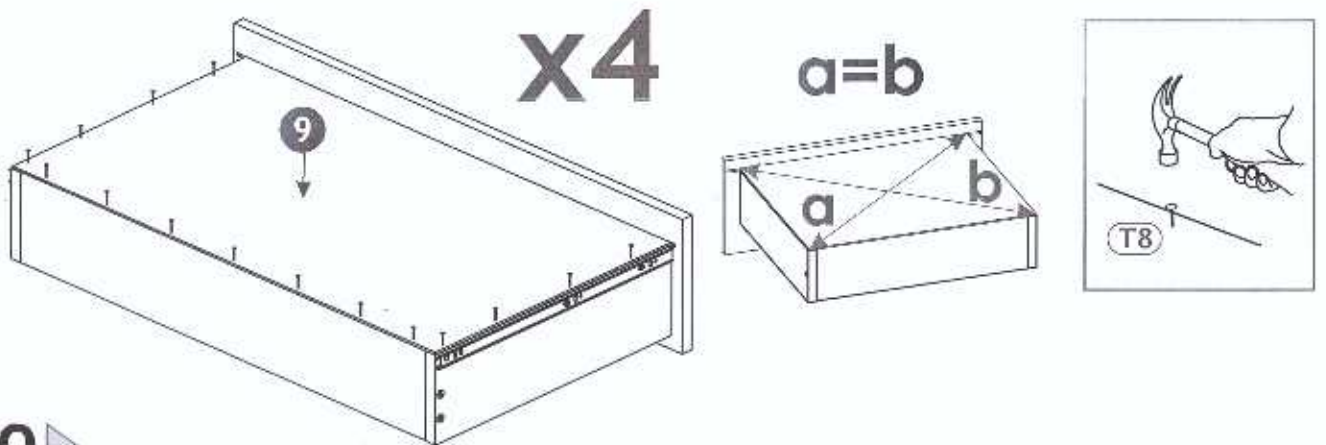
6 ▶



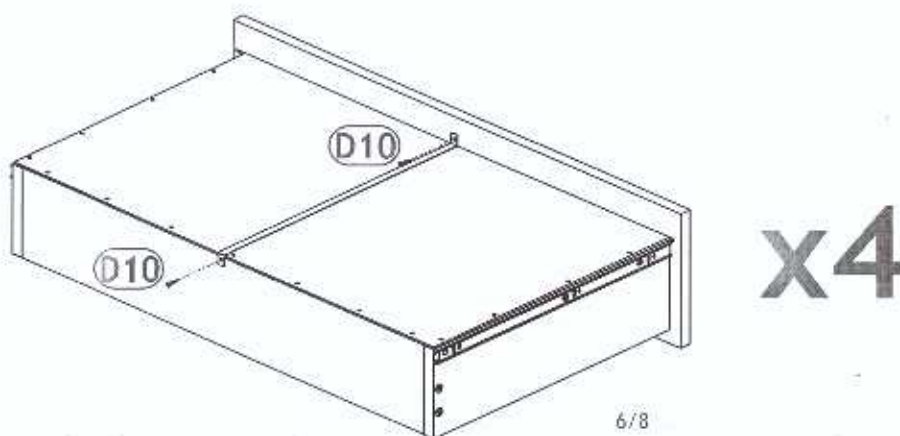
7 ▶



8 ▶



9 ▶



10 ▶

