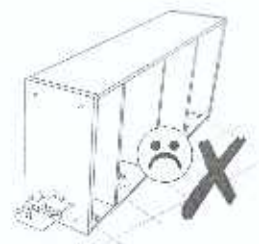
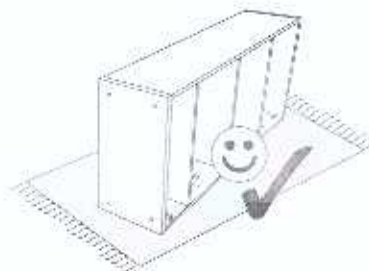
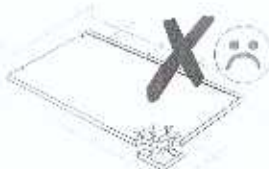
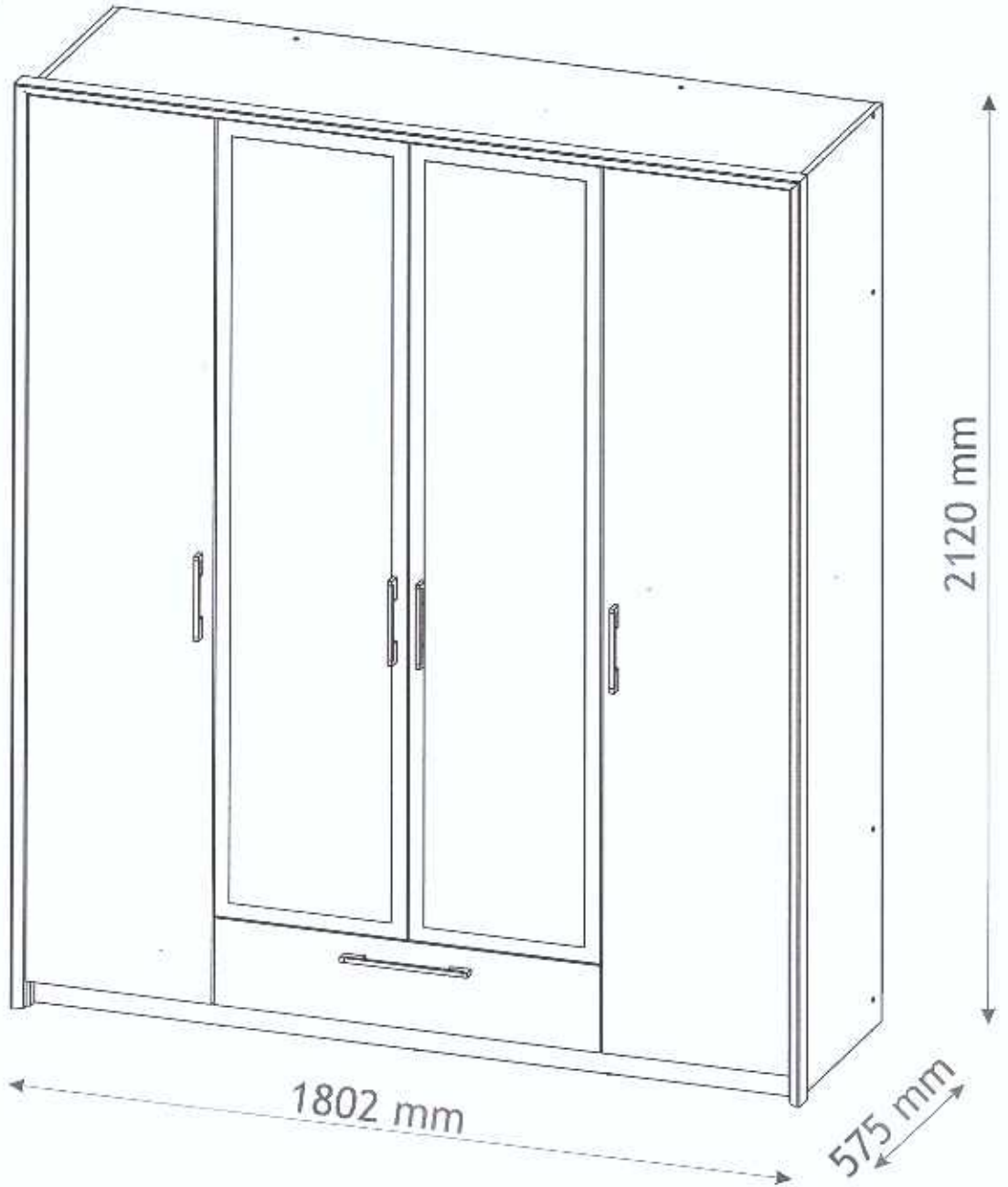
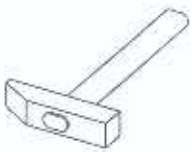
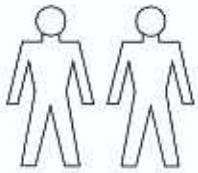
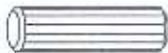



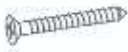

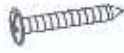






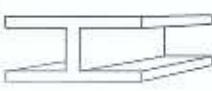





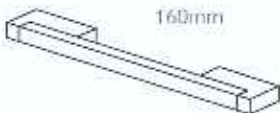

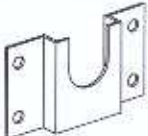


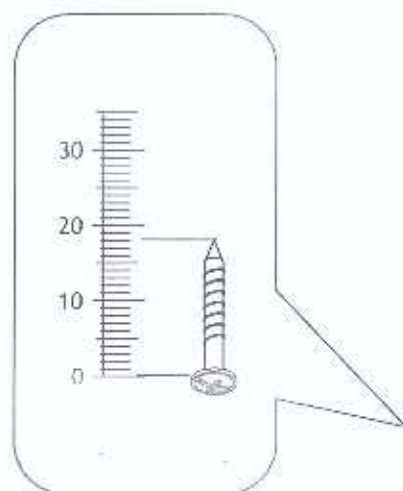
SCARLET Wardrobe 4D



SCARLET Wardrobe 4D



A0 8 x 32mm x26 	B0  x16	B1 1.7 x 50 mm x56 
D0 3 x 15 mm x20 	D1 3 x 25 mm x14 	D10 4 x 16 mm x32 
D16 4,2 x 28 mm x10 	D21 5 x 13 mm x14 	D30 6,3 x 13 mm x32 
I1  x16	I6  x16	K 4mm  x1
N9  L-500mm x1	R5  x1	S0 L-417mm  x1
S0 L-866mm  x1	Q0  x8	T3  x12
T8  x140	 160mm x4	 256mm x1
 x4		

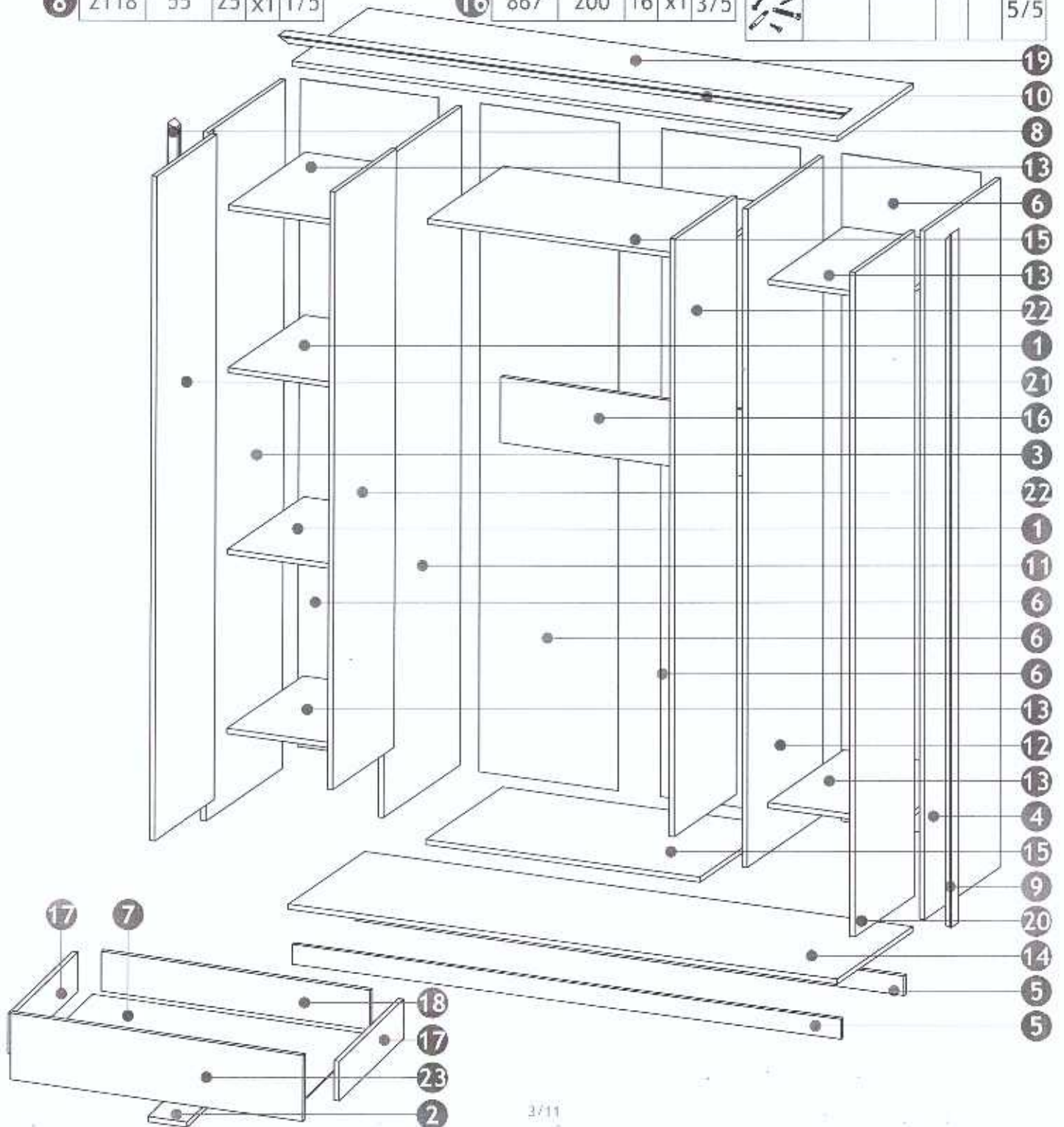


SCARLET Wardrobe 4D

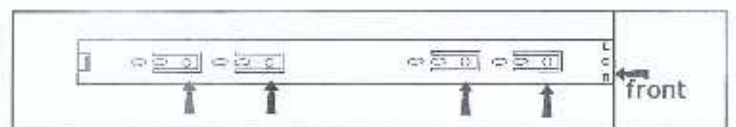
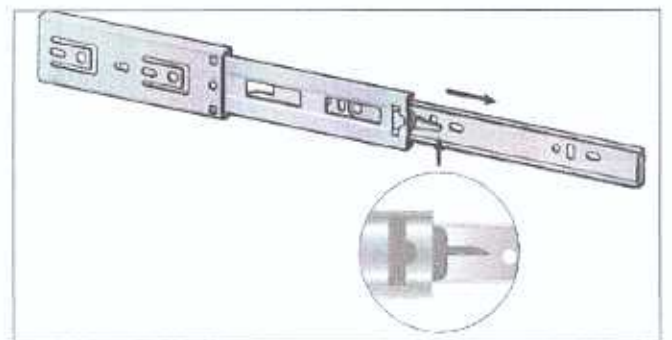
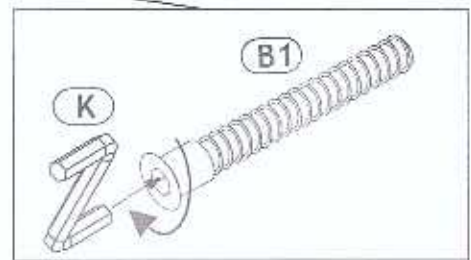
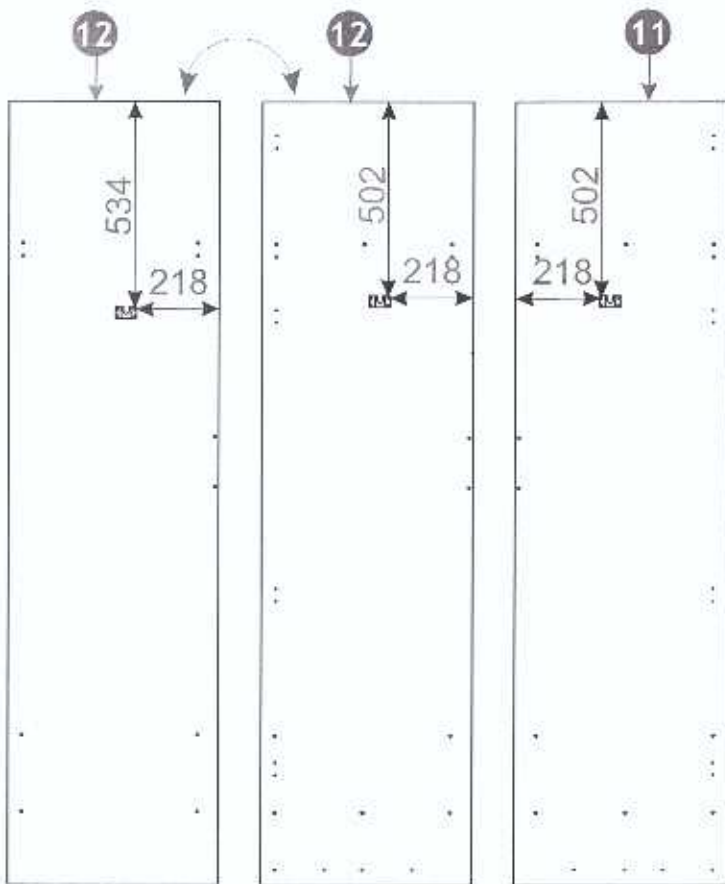
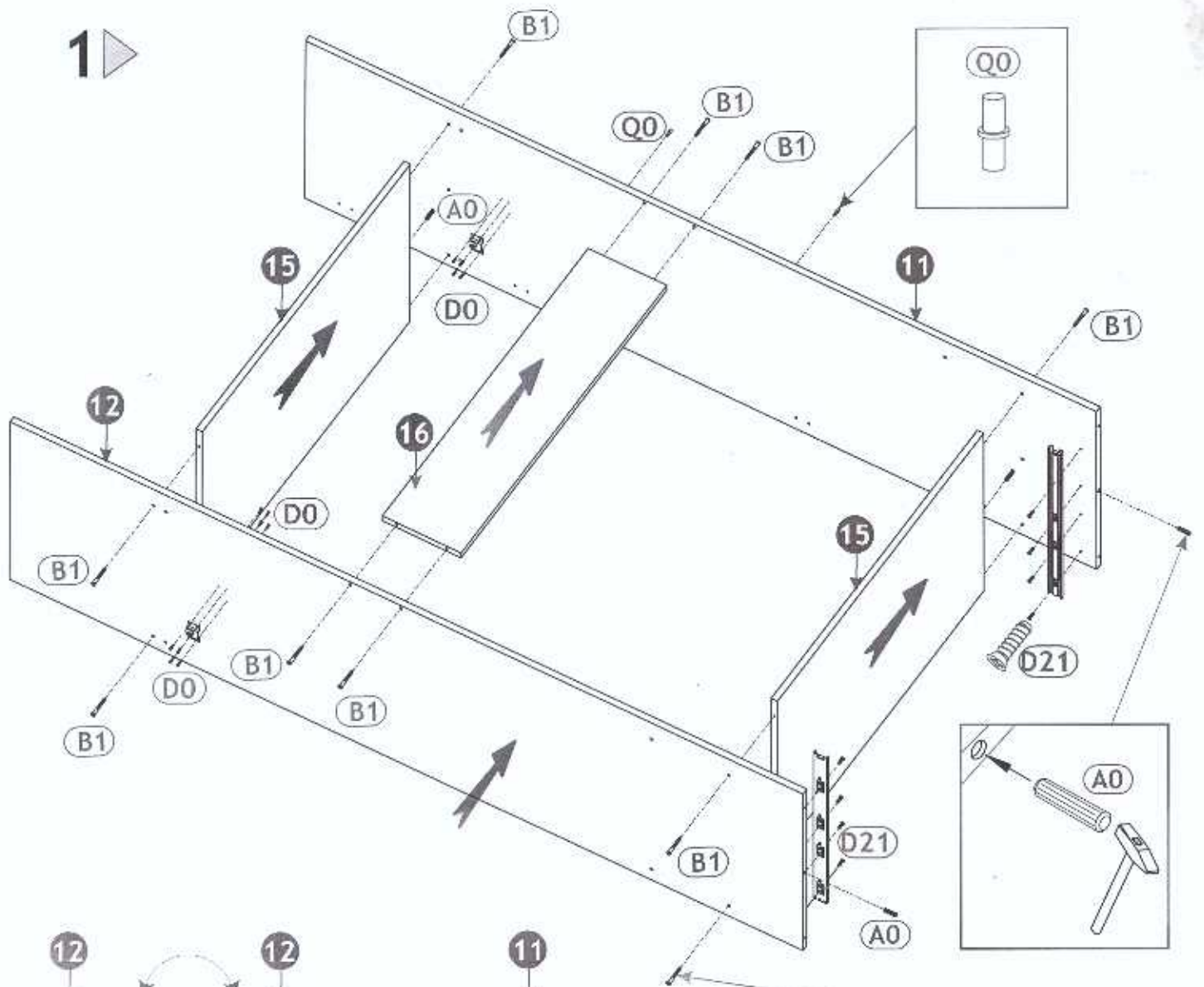
1	417	540	16	x2	1/5
2	500	120	16	x1	1/5
3	2100	540	16	x1	1/5
4	2100	540	16	x1	1/5
5	1734	60	16	x2	1/5
6	2036	440	2,5	x4	1/5
7	840	505	2,5	x1	1/5
8	2118	55	25	x1	1/5

9	2118	55	25	x1	1/5
10	1802	55	25	x1	1/5
11	2008	540	16	x1	2/5
12	2008	540	16	x1	2/5
13	417	540	16	x4	2/5
14	1734	540	16	x1	3/5
15	867	540	16	x2	3/5
16	867	200	16	x1	3/5

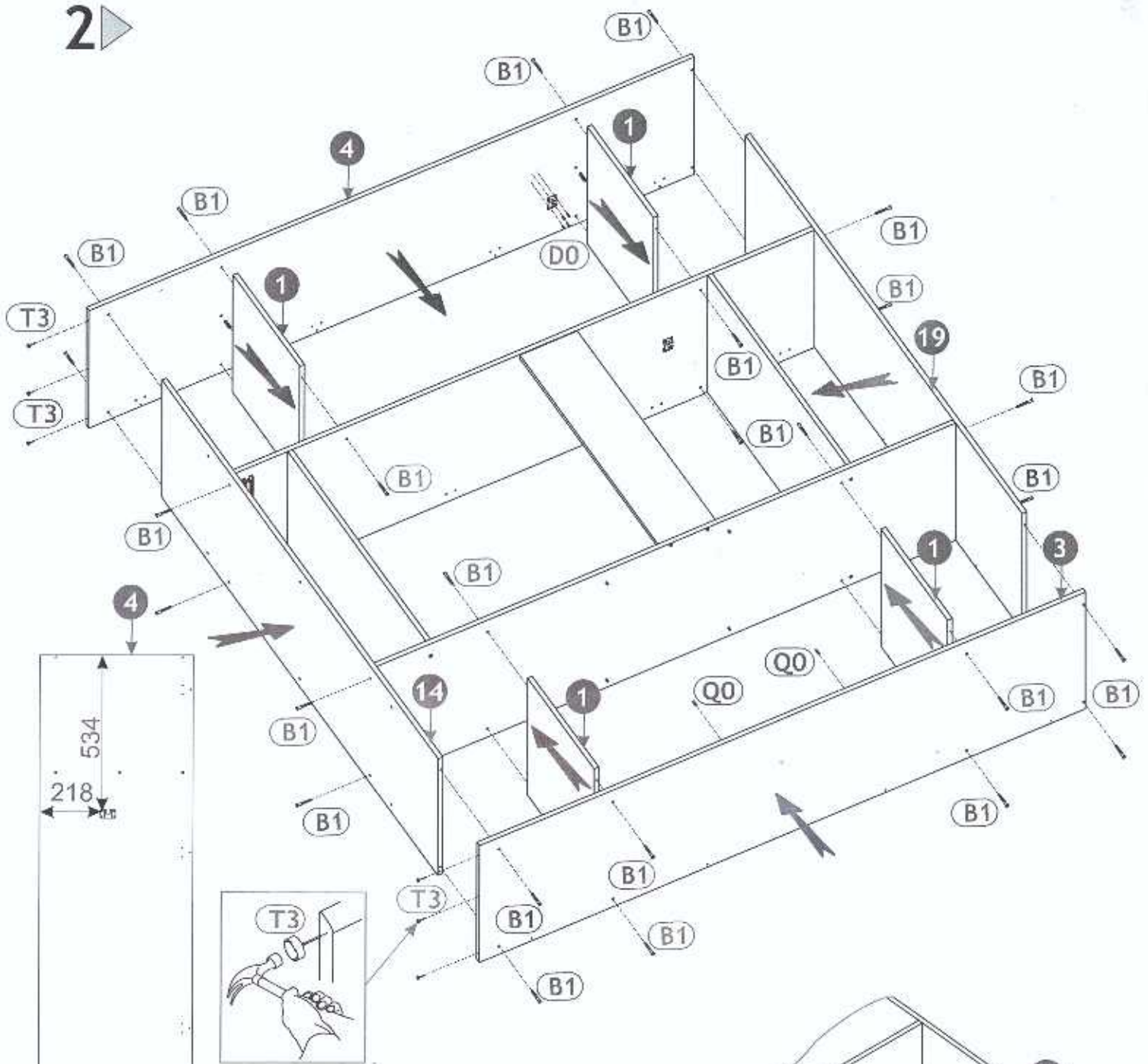
17	500	120	16	x2	3/5
18	809	120	16	x1	3/5
19	1734	540	16	x1	3/5
20	2028	427	16	x1	4/5
21	2028	427	16	x1	4/5
22	1824	438	16	x2	4/5
23	880	200	16	x1	3/5
					5/5



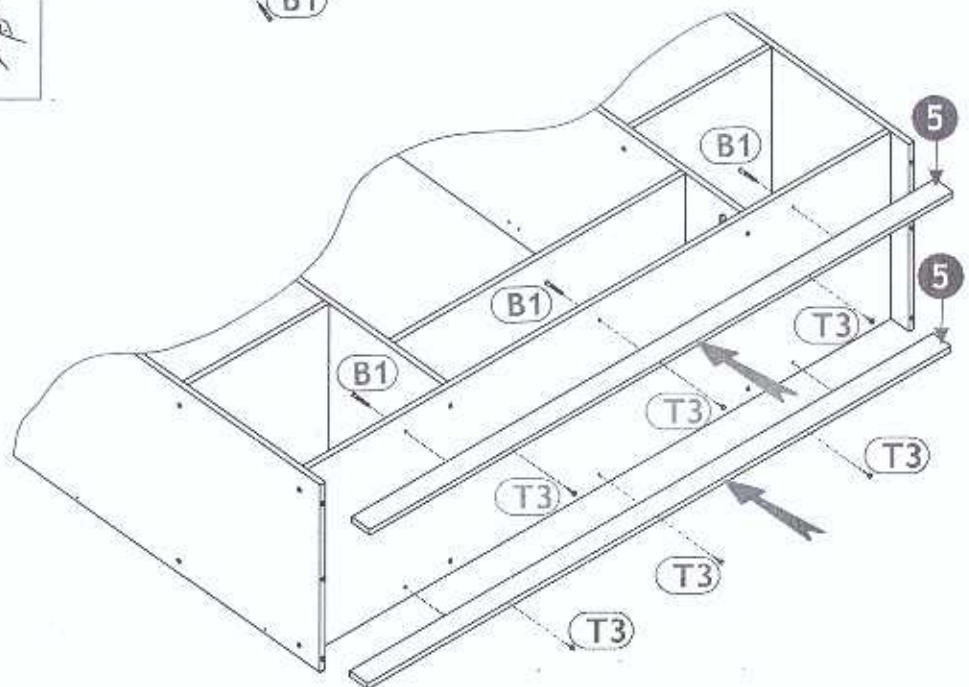
1 ▶



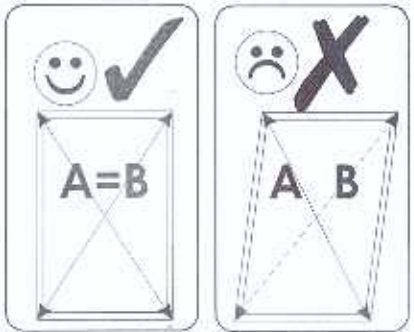
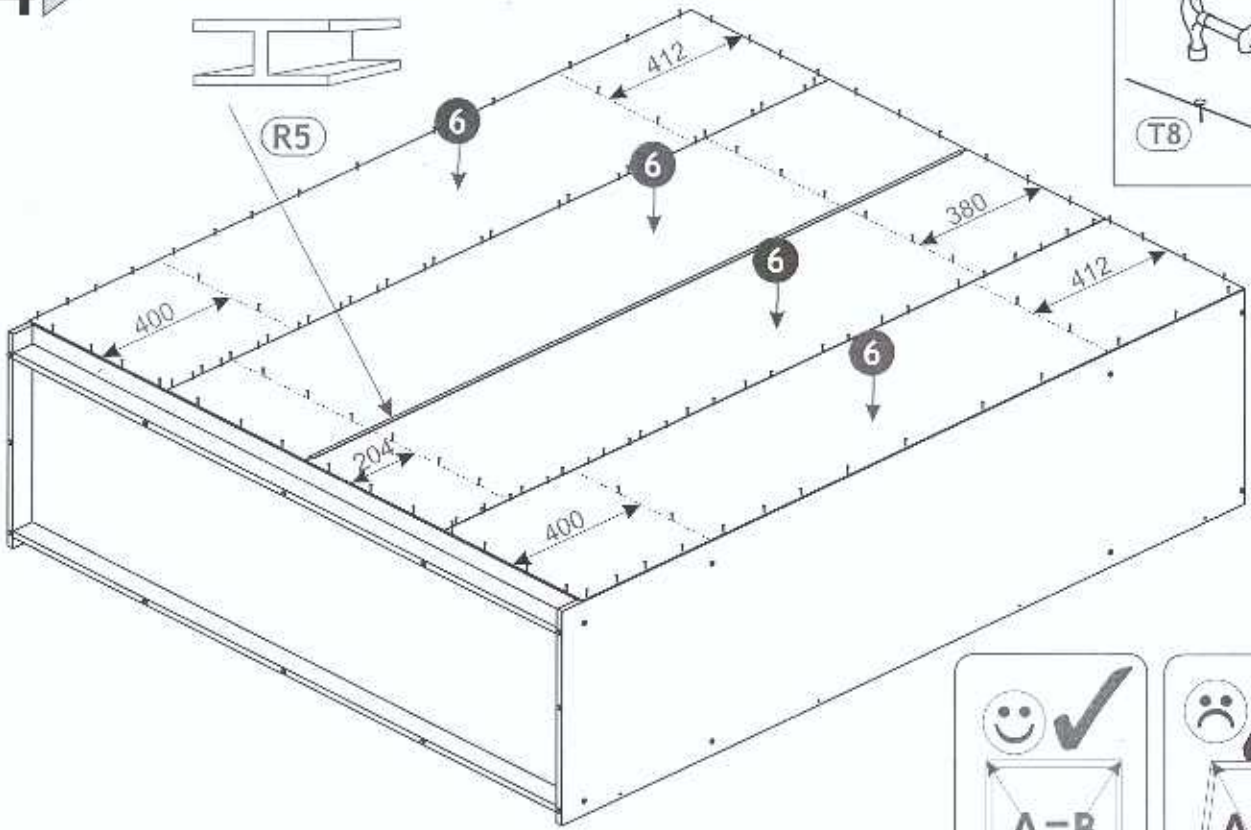
2 ▶



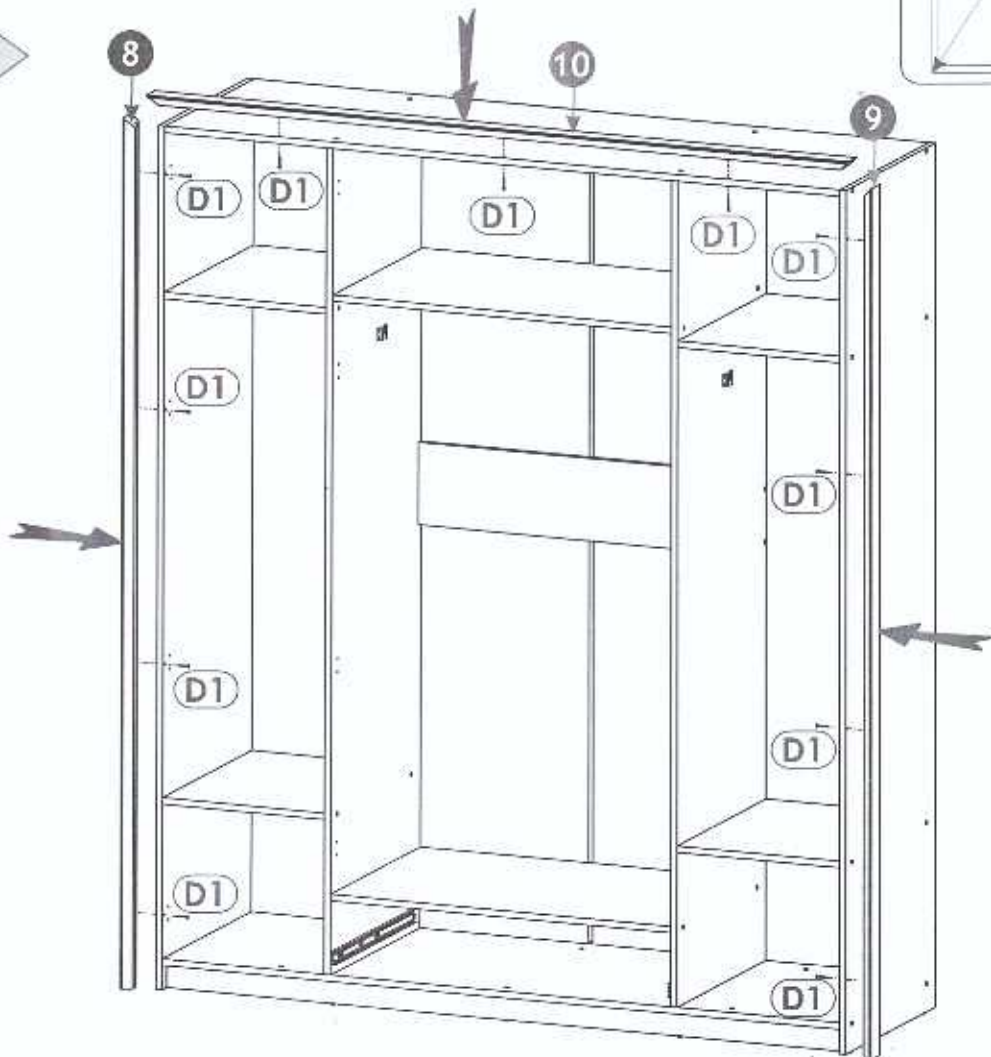
3 ▶



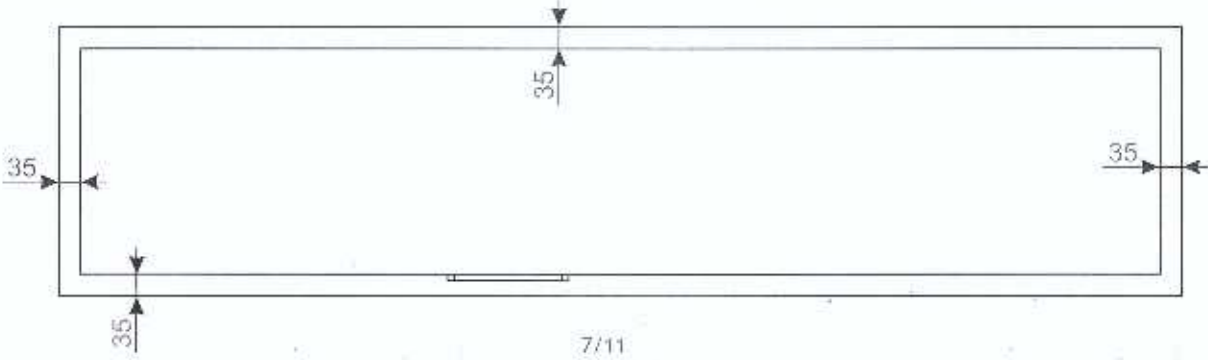
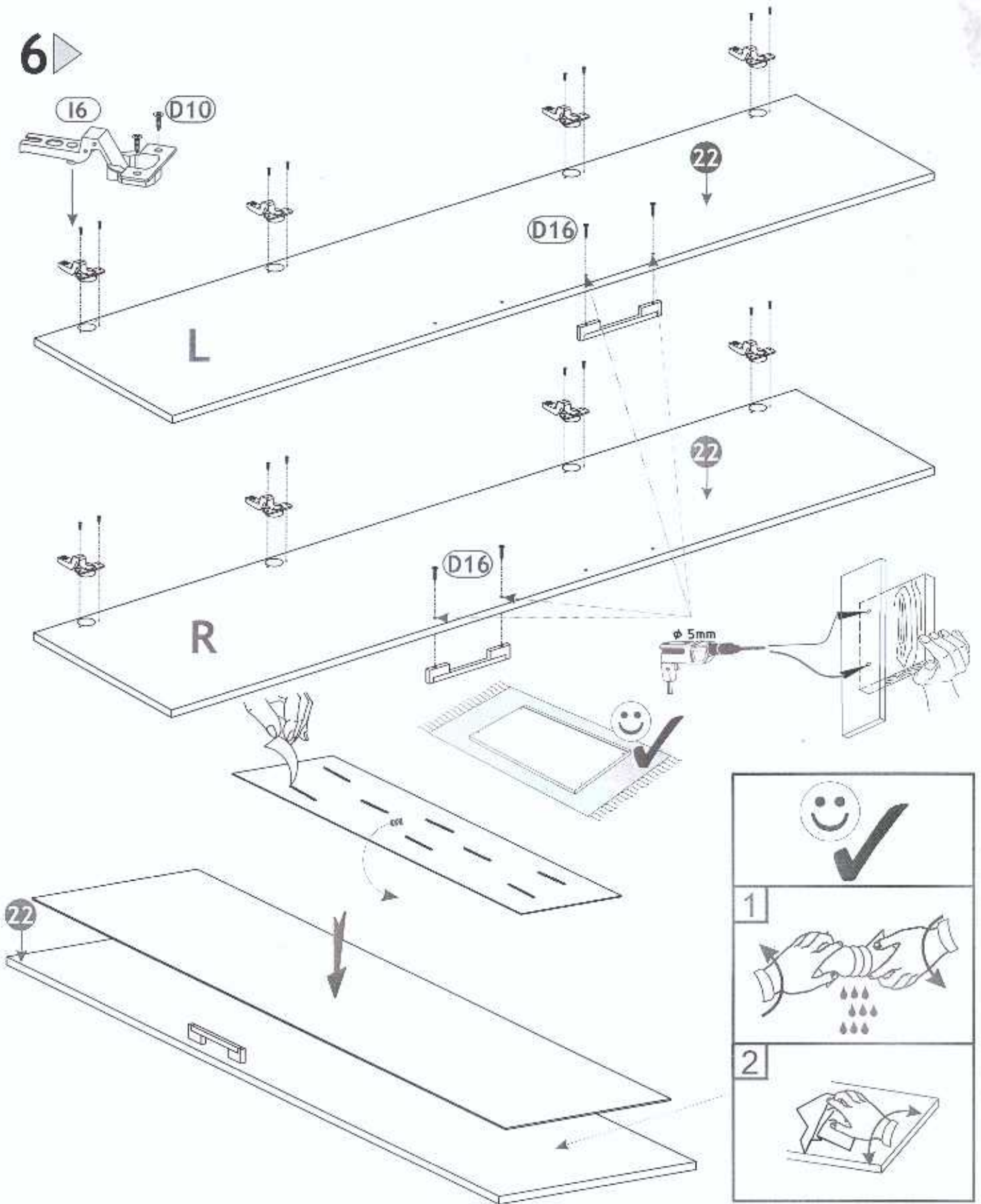
4 ▶



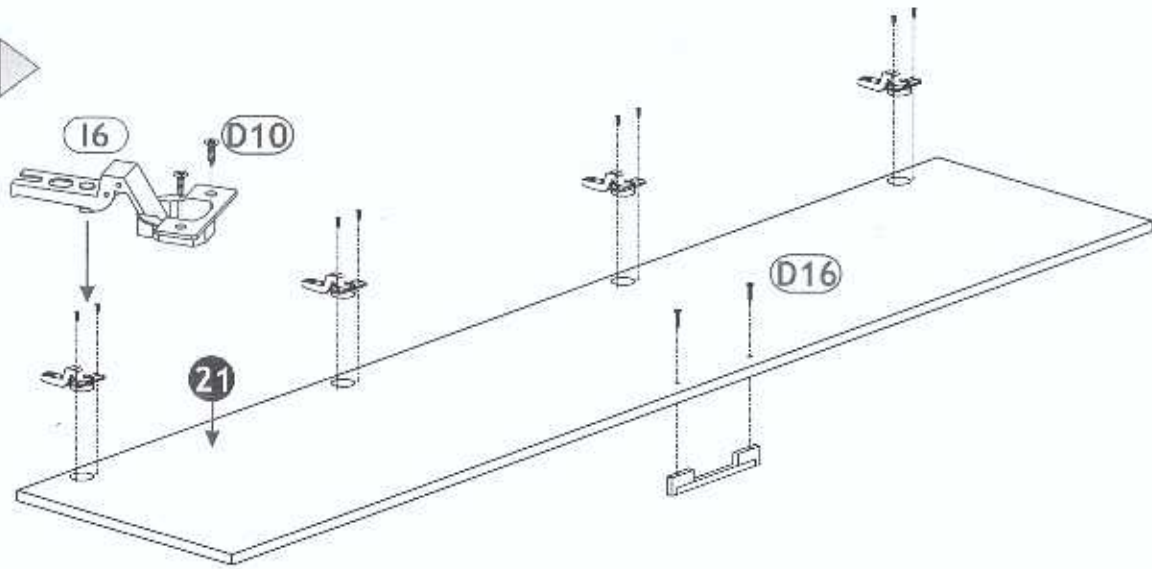
5 ▶



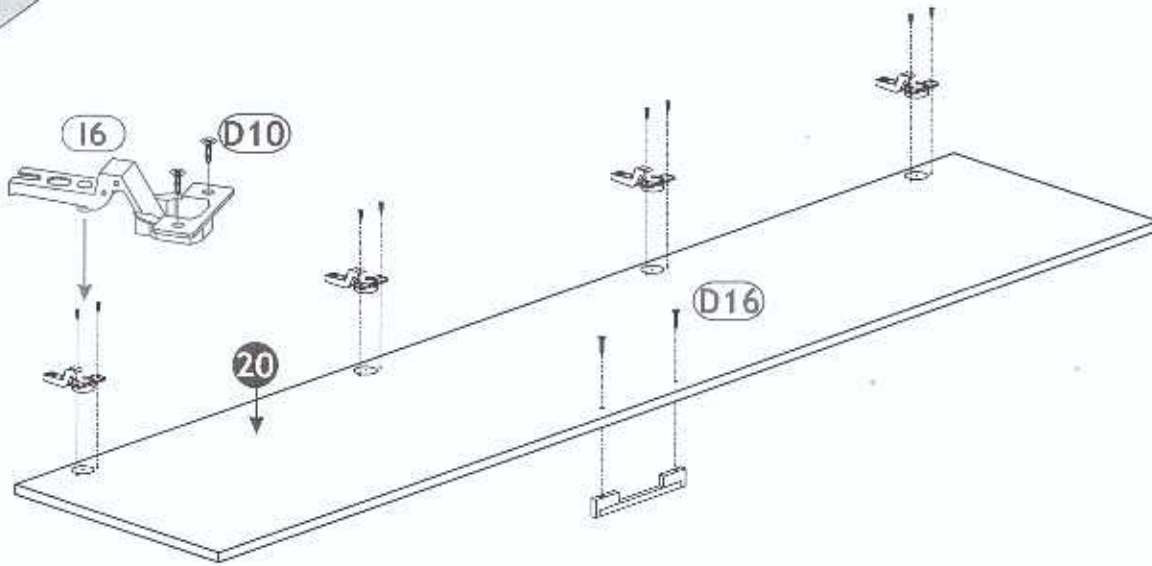
6 ▶



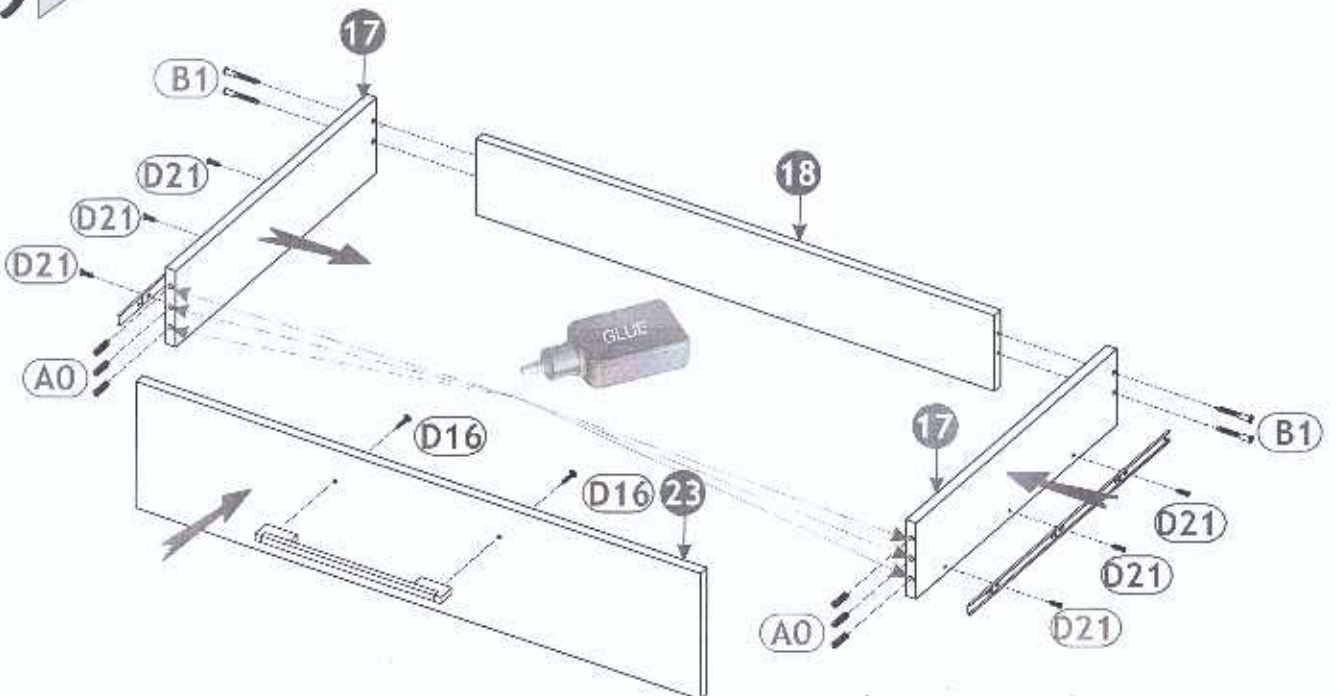
7 ▶



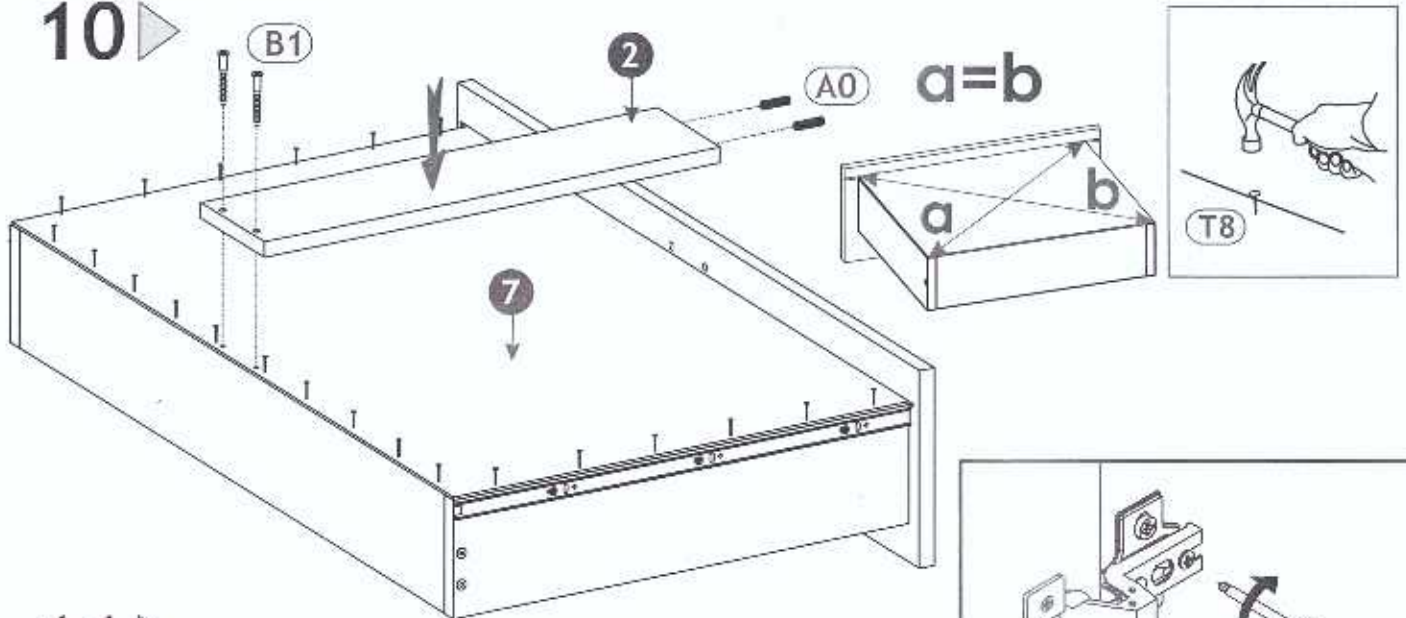
8 ▶



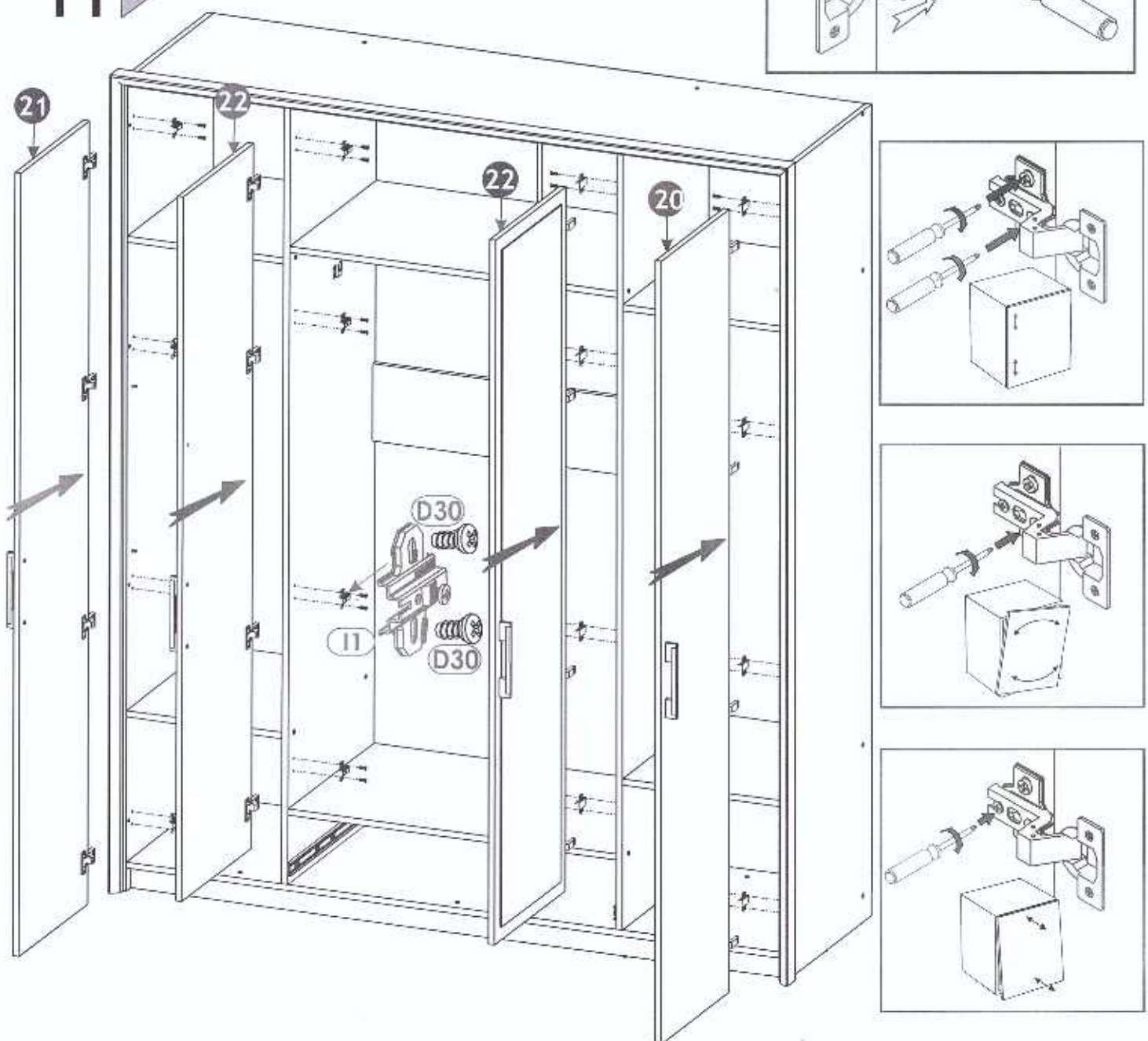
9 ▶



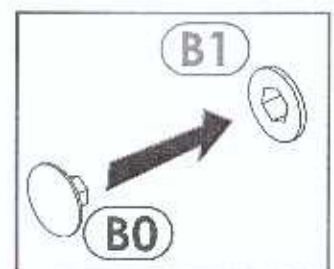
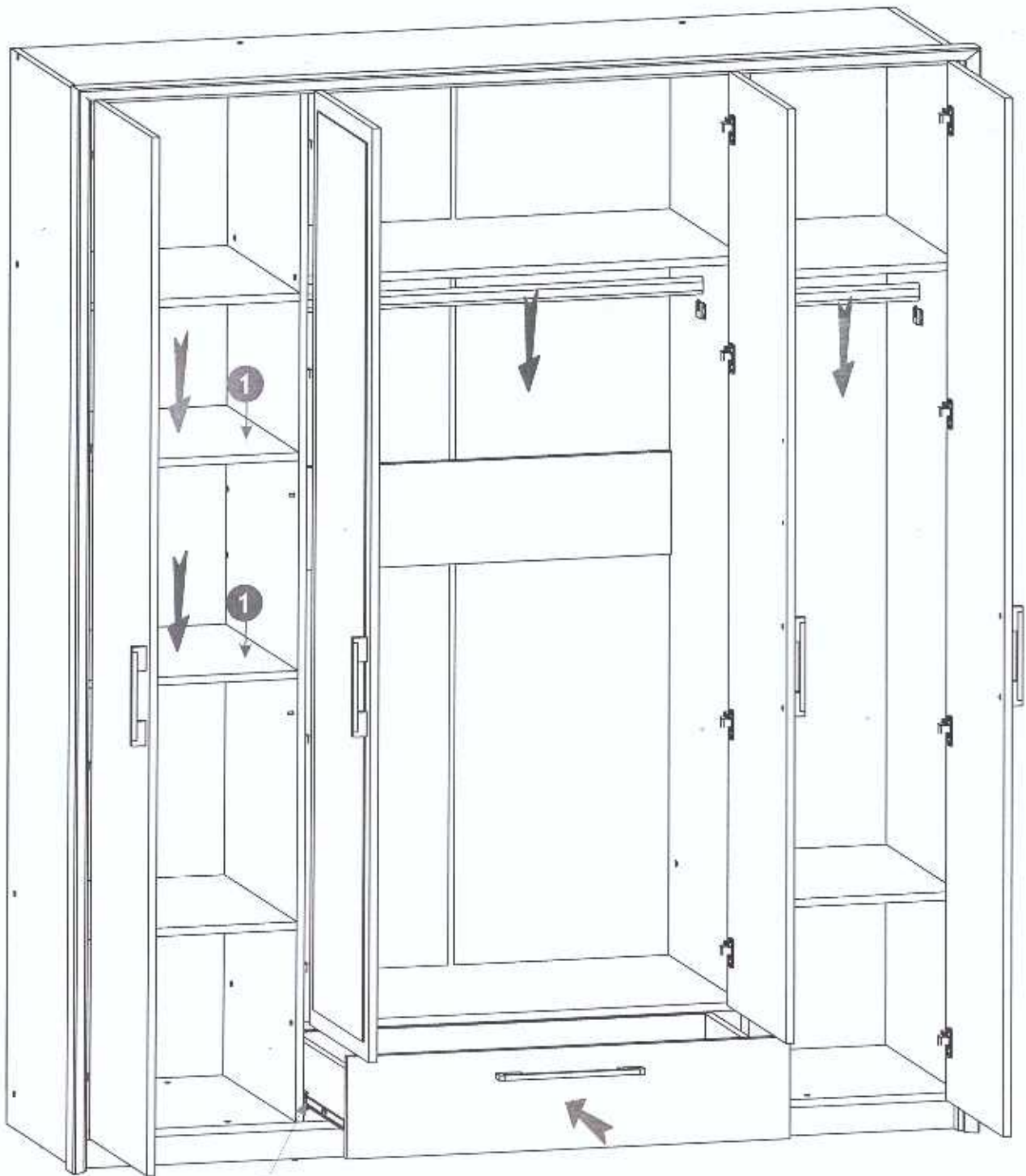
10 ▶

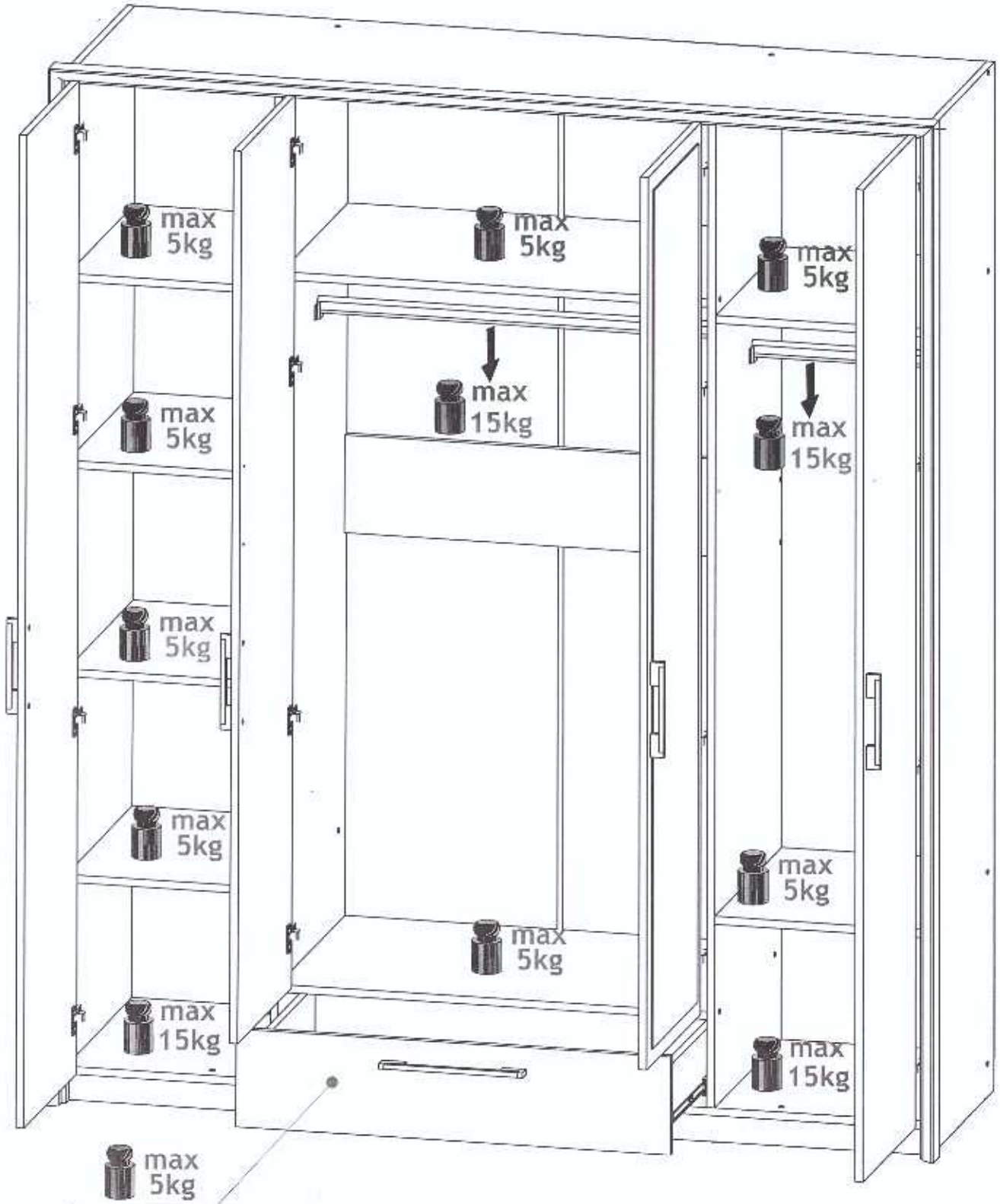


11 ▶

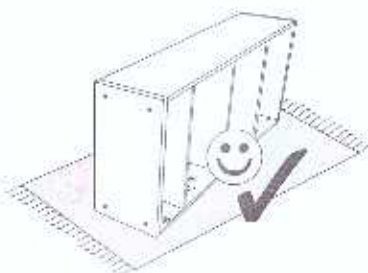
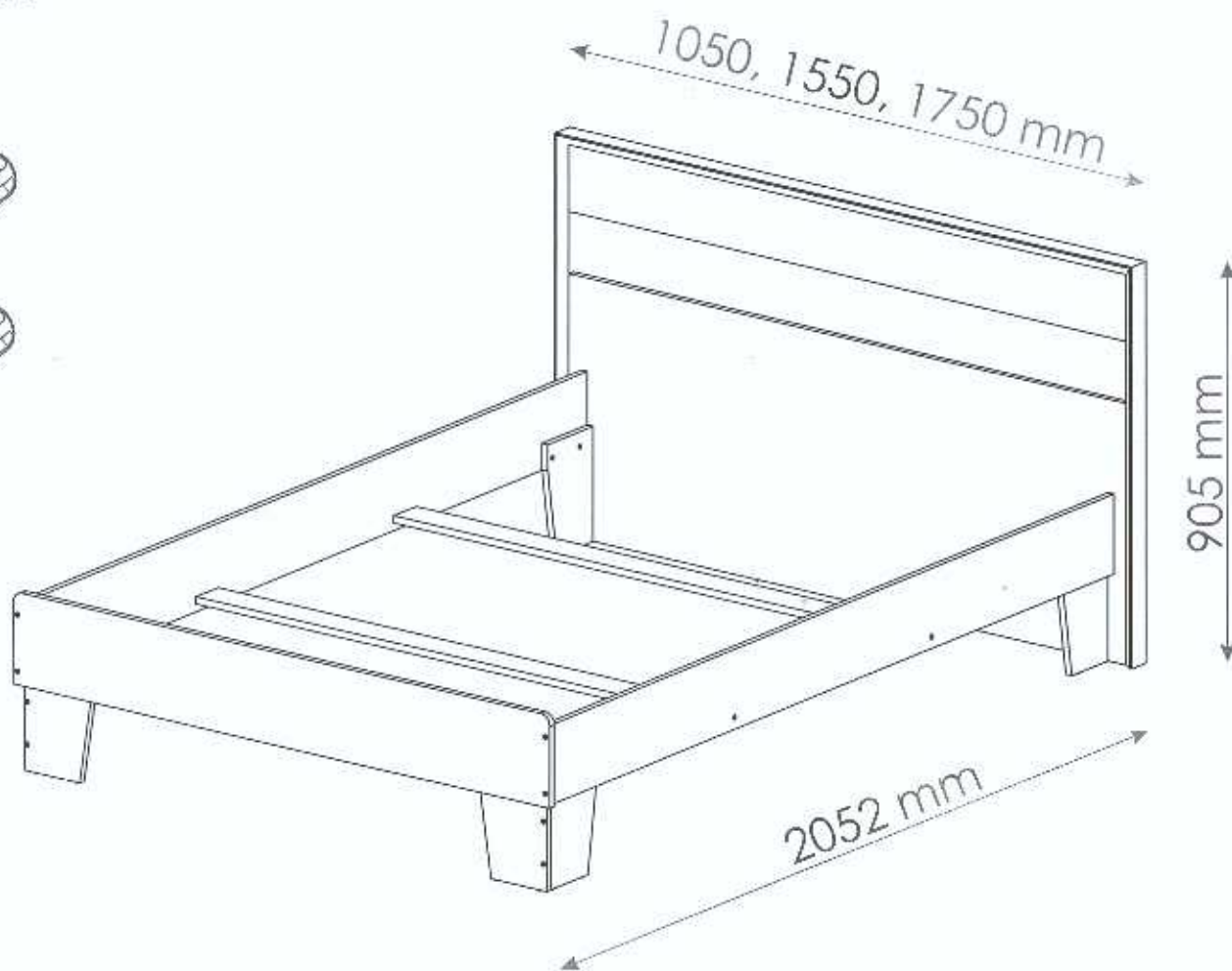
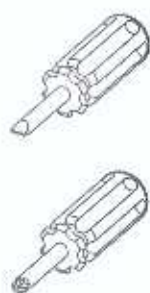
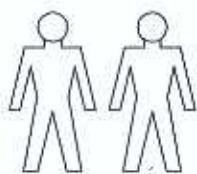


12 ▶

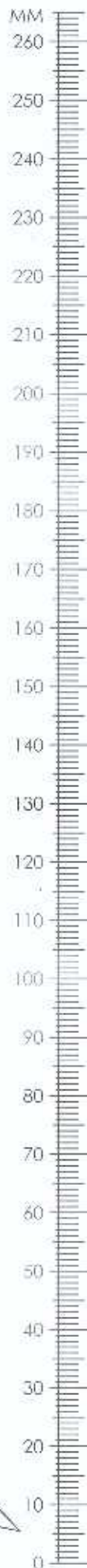








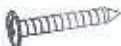
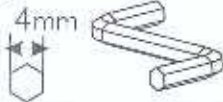

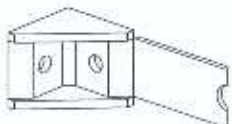


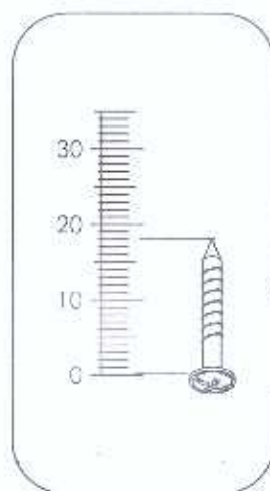
SCARLET Bed 90, 140, 160



SCARLET Bed 90, 140, 160



(B0)  x4 x8	(B1) 17 x 50 mm x18 	(C2) x13 (90) x12 
(C7) x13 (90) x12 16 mm 	(D1) 3 x 25 mm x12 (90) x8 	(D10) 4 x 16 mm x4 
(D16) 4,2 x 28 mm x12 	(K) x1 4mm 	(T3) x14 
 x2		



SCARLET Bed 90, 140, 160

90

1	1000	590	16 x1	1/2
2	1000	150	16 x1	1/2
3	900	80	16 x2	1/2
4	940	210	16 x1	1/2
5	260	180	16 x2	1/2
6	1013	200	16 x1	1/2
7	260	160	16 x2	1/2
8	260	160	16 x2	1/2
9	2000	180	16 x1	2/2
10	905	55	25 x1	2/2
11	905	55	25 x1	2/2
12	1050	55	25 x1	2/2
				1/2

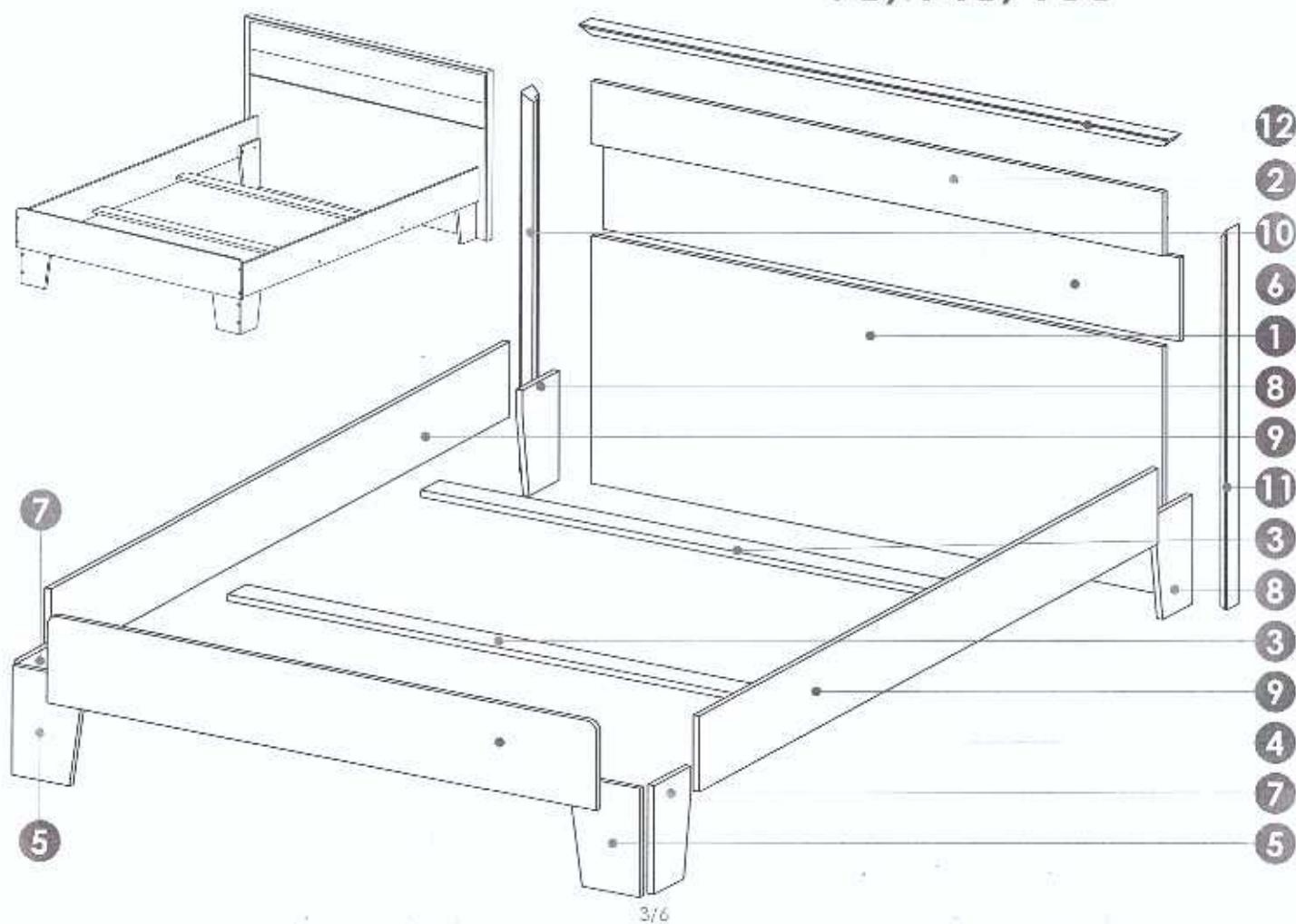
140

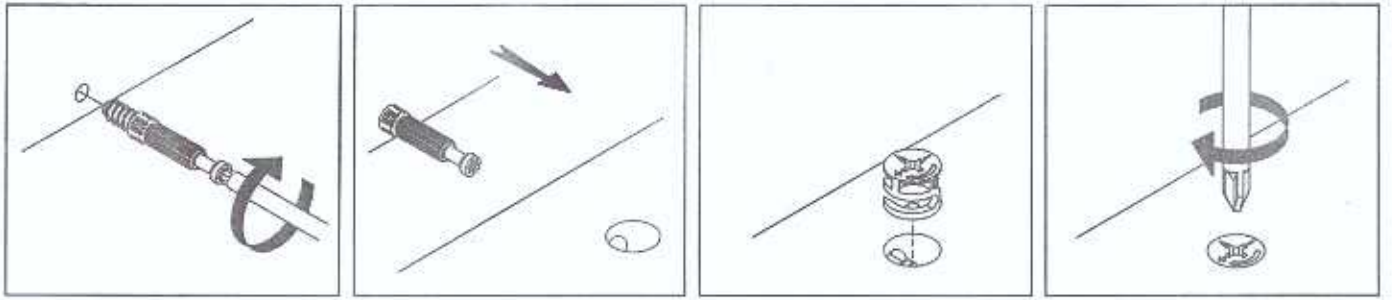
1	1500	590	16 x1	1/2
2	1500	150	16 x1	1/2
3	1400	80	16 x2	1/2
4	1440	210	16 x1	1/2
5	260	180	16 x2	1/2
6	1513	200	16 x1	1/2
7	260	160	16 x2	1/2
8	260	160	16 x2	1/2
9	2000	180	16 x1	2/2
10	905	55	25 x1	2/2
11	905	55	25 x1	2/2
12	1050	55	25 x1	2/2
				1/2

160

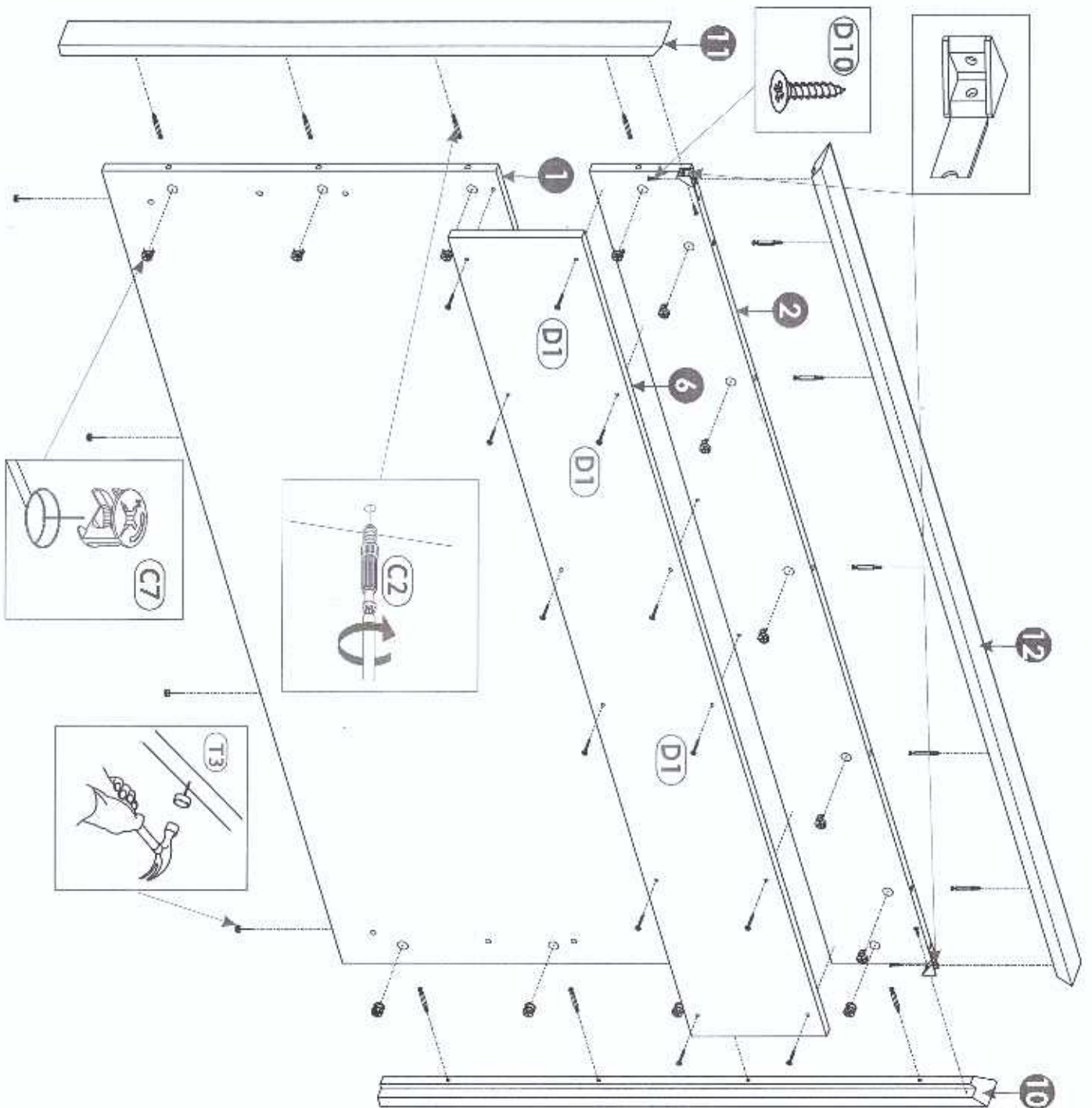
1	1700	590	16 x1	1/2
2	1700	150	16 x1	1/2
3	1600	80	16 x2	1/2
4	1640	210	16 x1	1/2
5	260	180	16 x2	1/2
6	1713	200	16 x1	1/2
7	260	160	16 x2	1/2
8	260	160	16 x2	1/2
9	2000	180	16 x1	2/2
10	905	55	25 x1	2/2
11	905	55	25 x1	2/2
12	1050	55	25 x1	2/2
				1/2

90/140/160

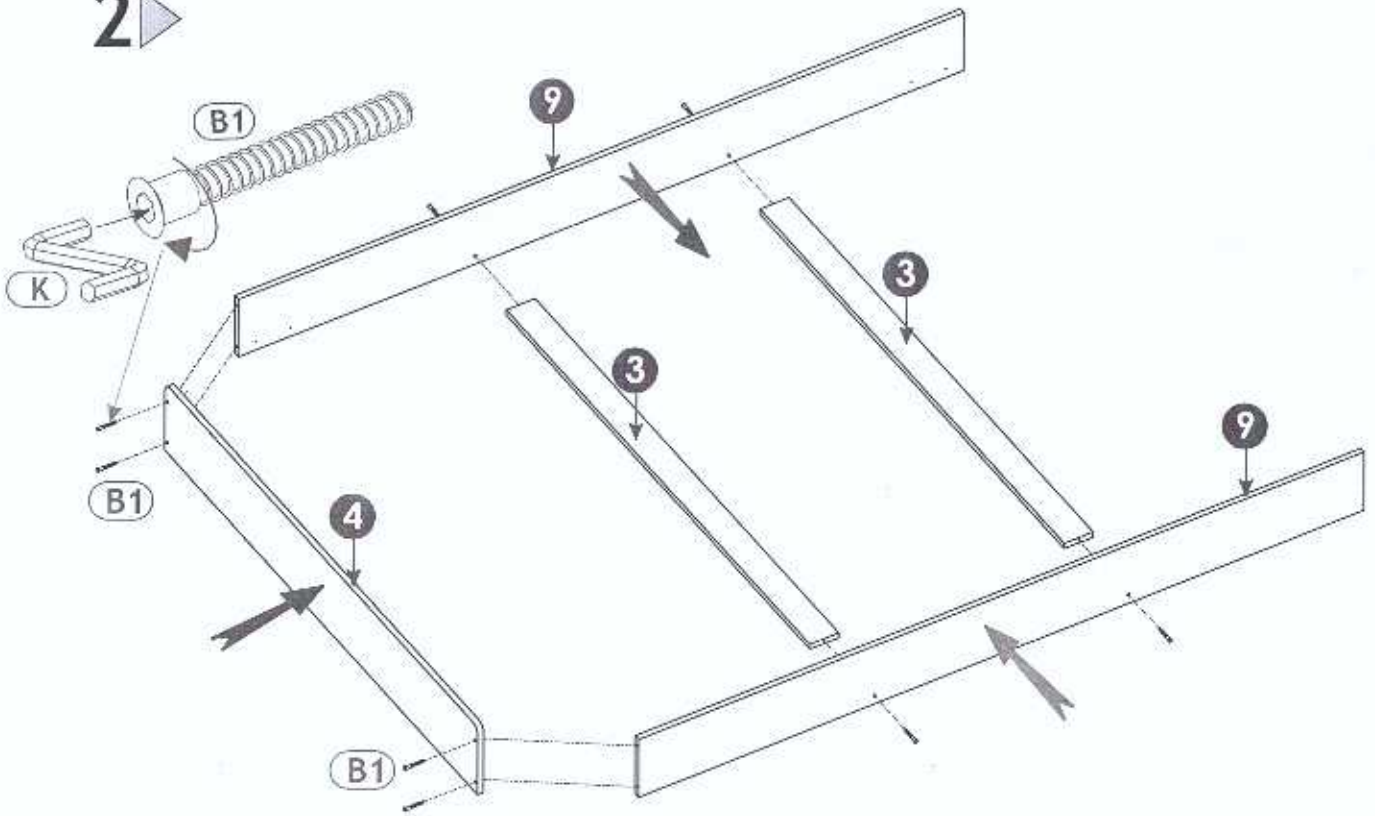




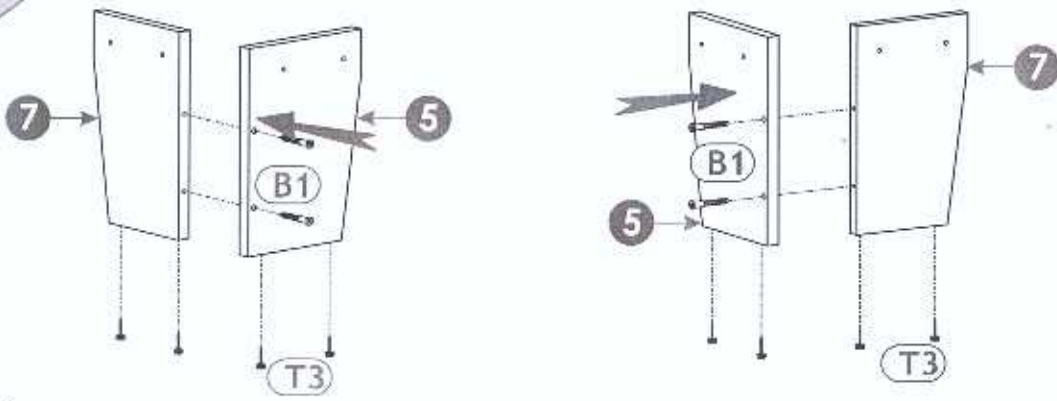
1 ▶



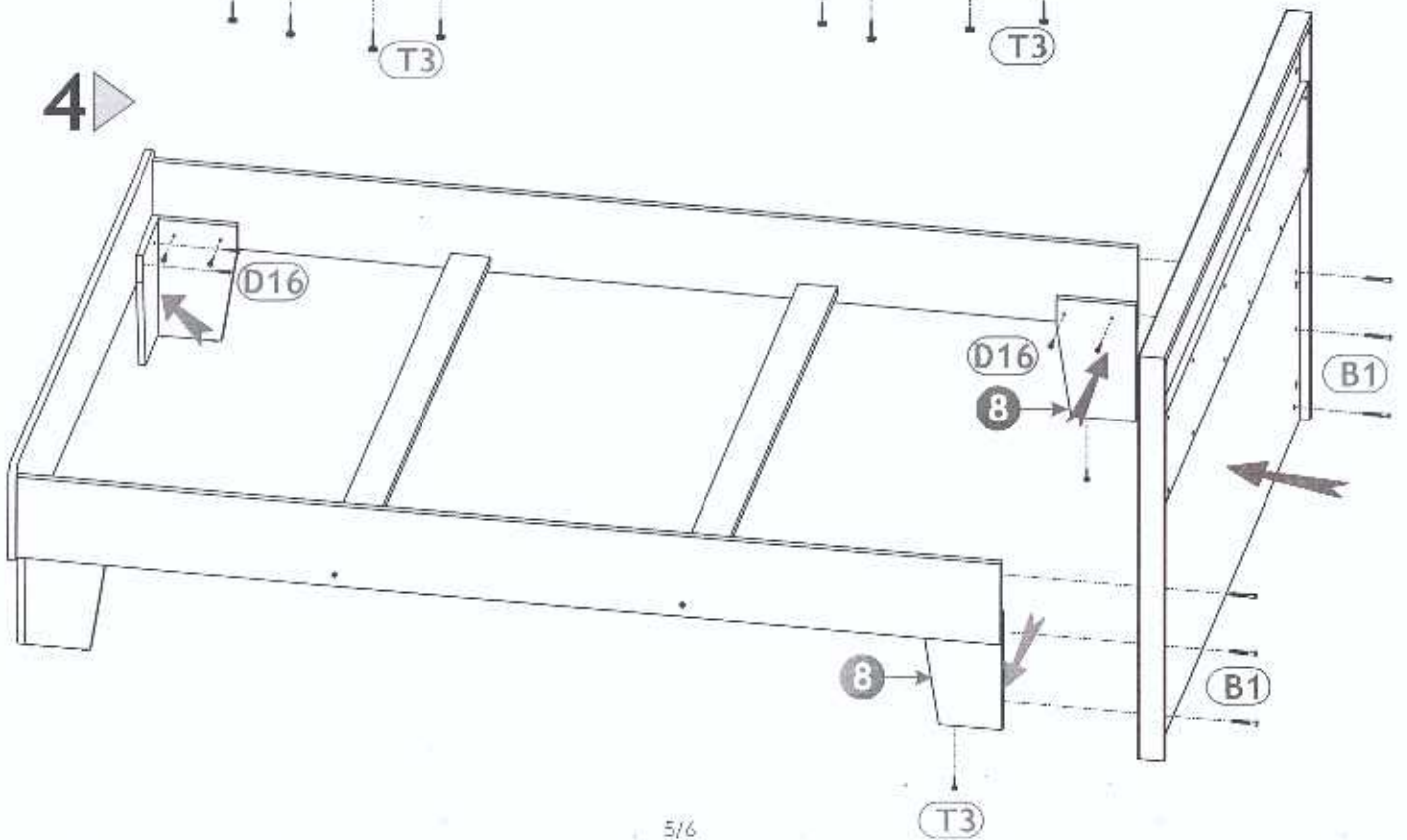
2 ▶

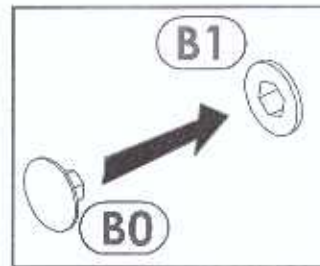
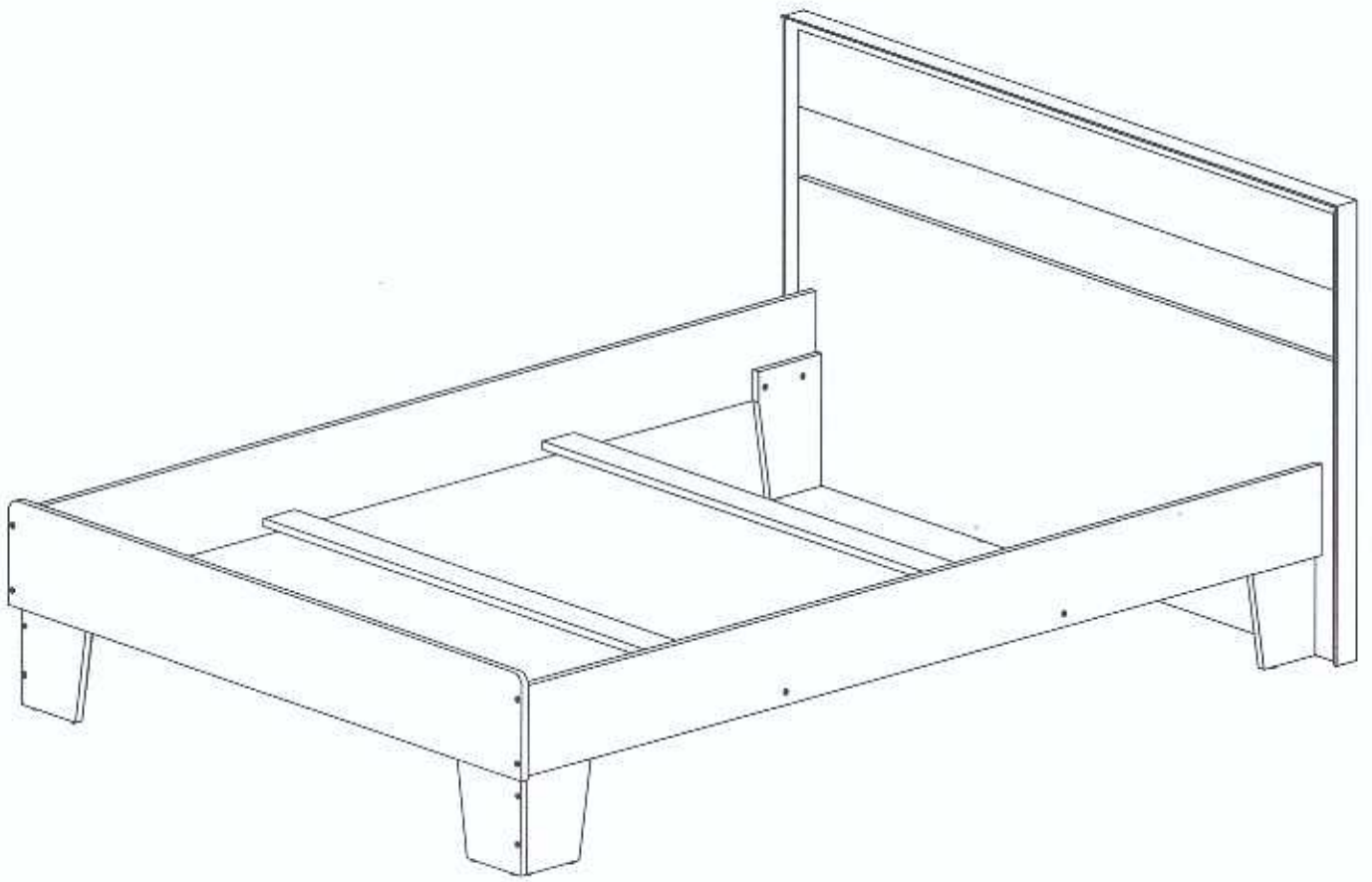


3 ▶

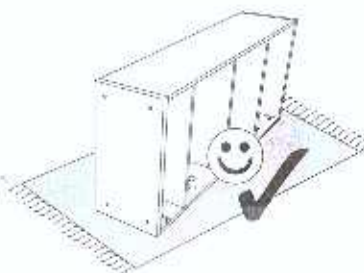
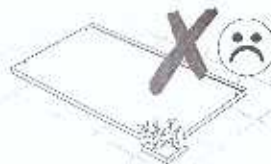
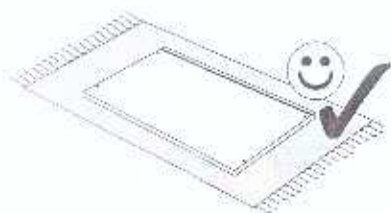
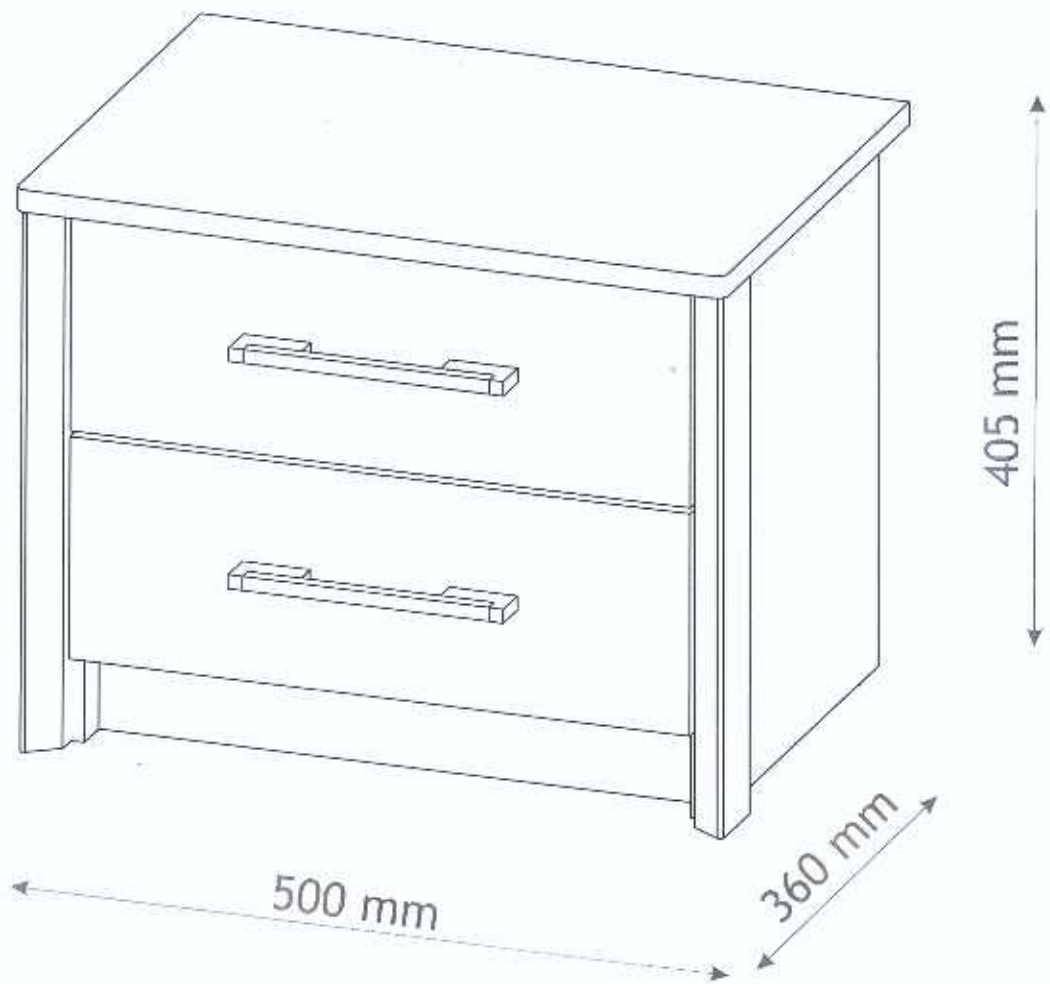
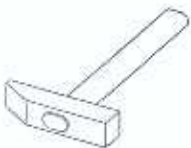
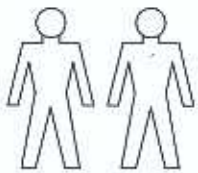


4 ▶



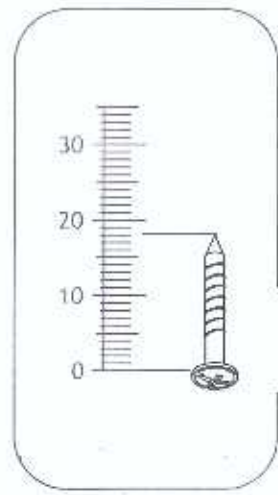


SCARLET Bedside cabinet

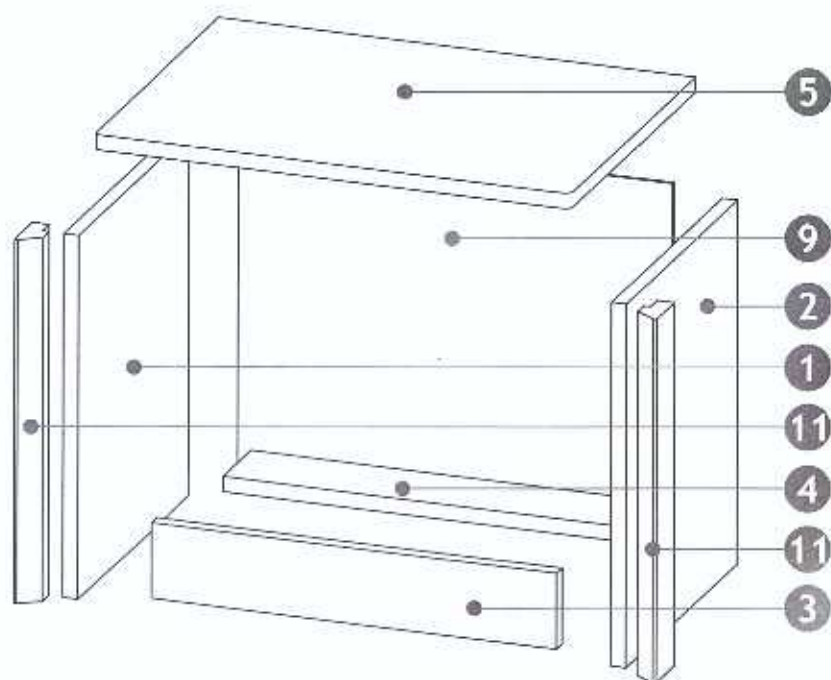
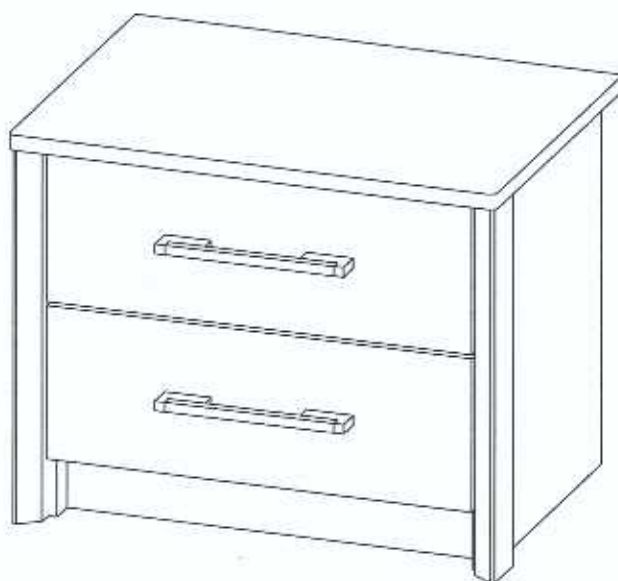
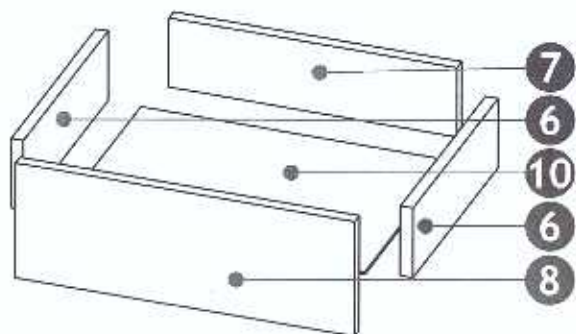


SCARLET Bedside cabinet

A0	8 x 32mm	x16	B0		x4	B1	1.7 x 50 mm	x8
D0	3 x 15 mm	x8	D1	3 x 25 mm	x4	D16	4,2 x 28 mm	x4
D21	5 x 13 mm	x20	K	4mm	x1	N6	L-300mm	x2
T3		x4	T8		x40			x2

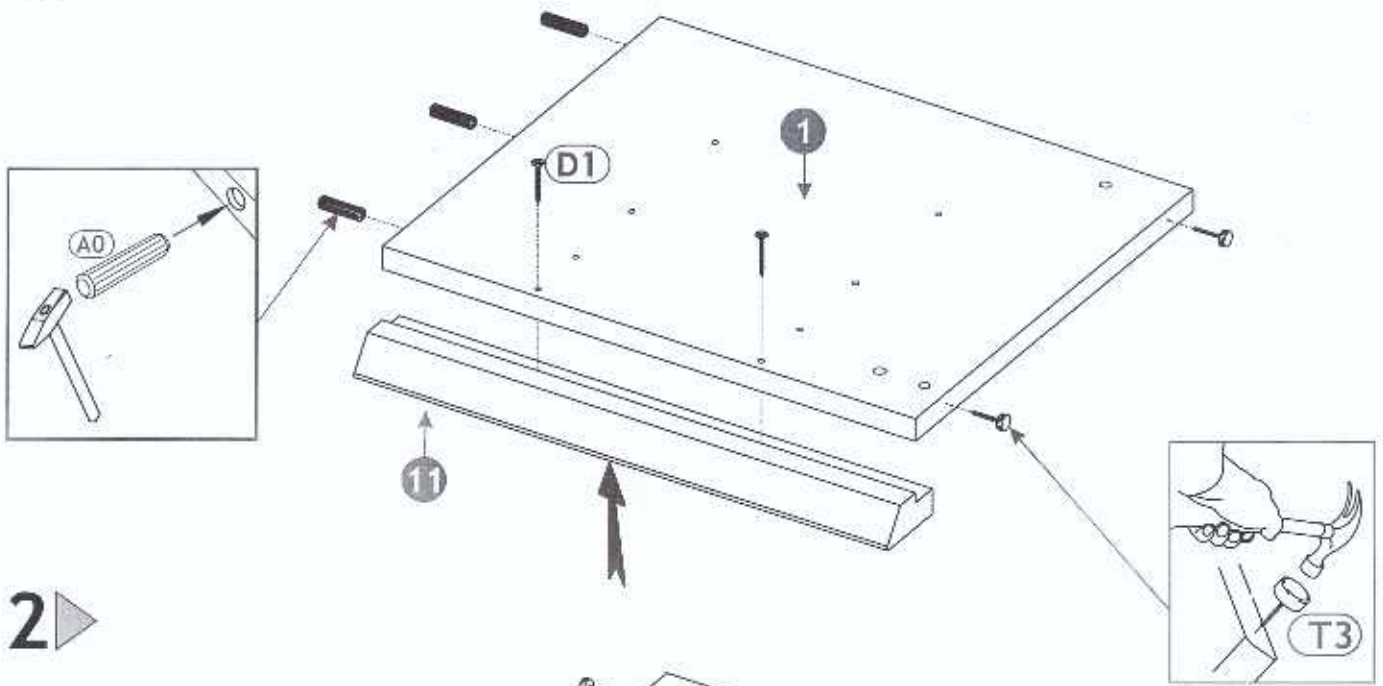


SCARLET Bedside cabinet

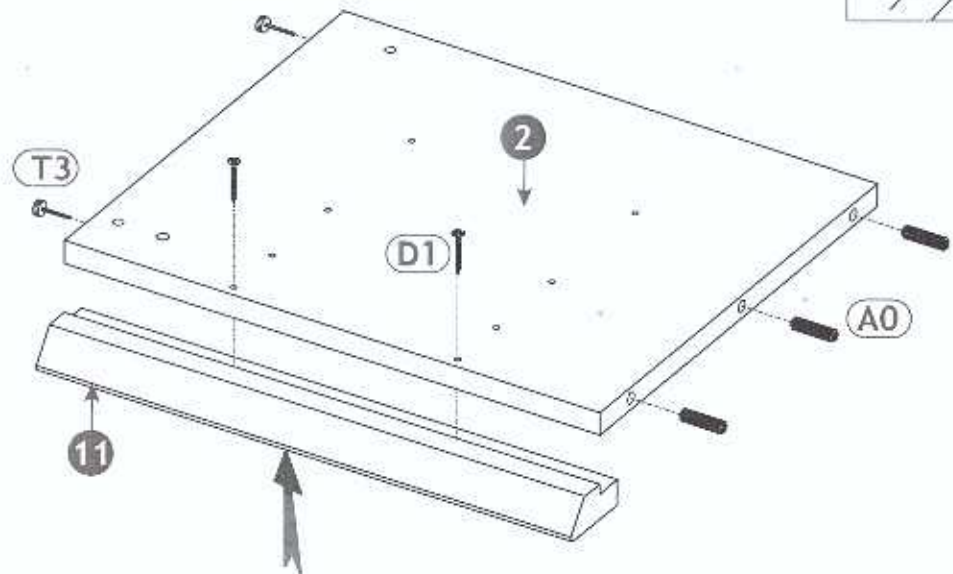


1	384	320	16	x1	1/1
2	384	320	16	x1	1/1
3	428	80	16	x1	1/1
4	428	80	16	x1	1/1
5	502	361	16	x1	1/1
6	300	95	16	x4	1/1
7	371	95	16	x2	1/1
8	438	157	16	x2	1/1
9	350	456	2,5	x1	1/1
10	305	401	2,5	x2	1/1
11	384	55	25	x2	1/1
					1/1

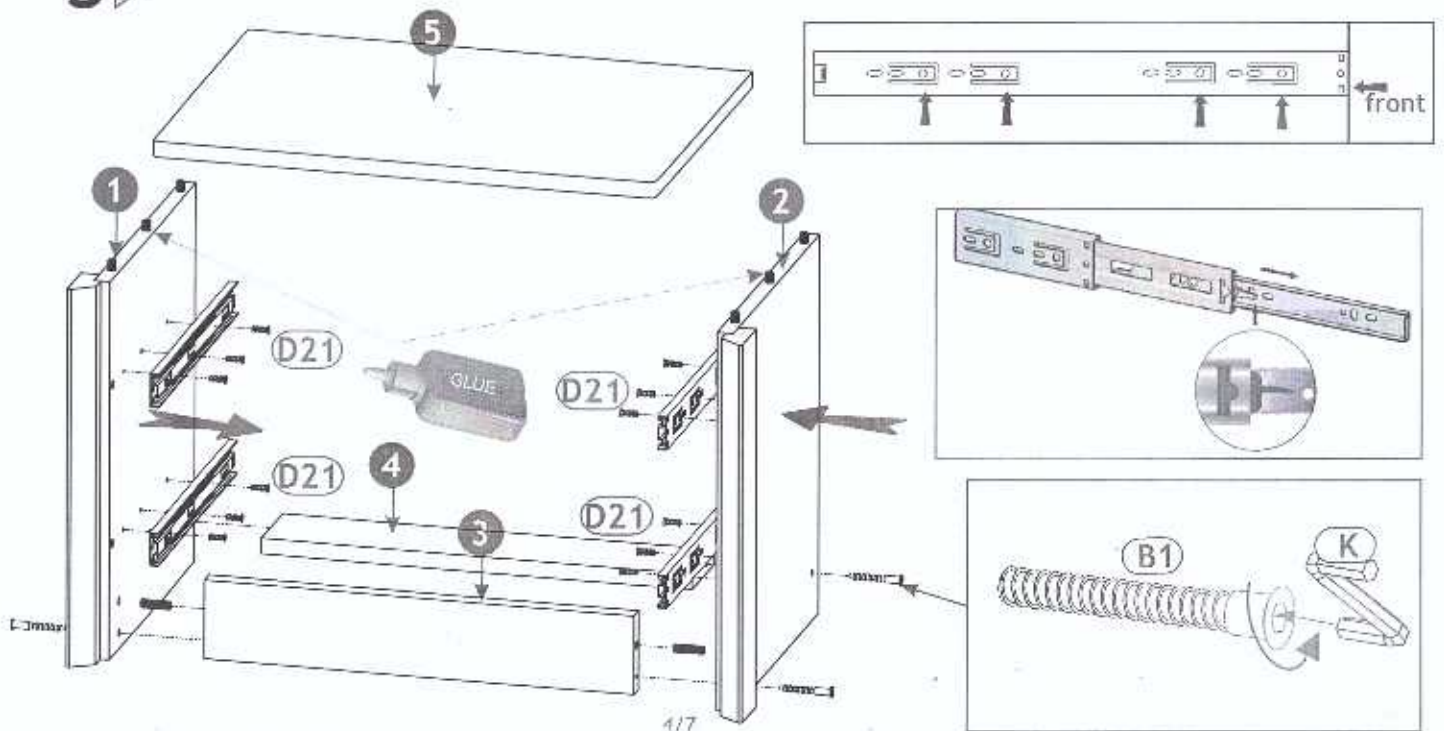
1 ▶



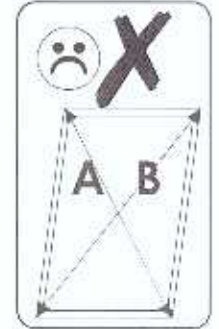
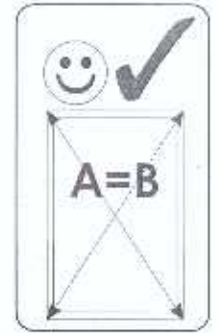
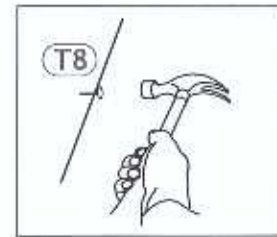
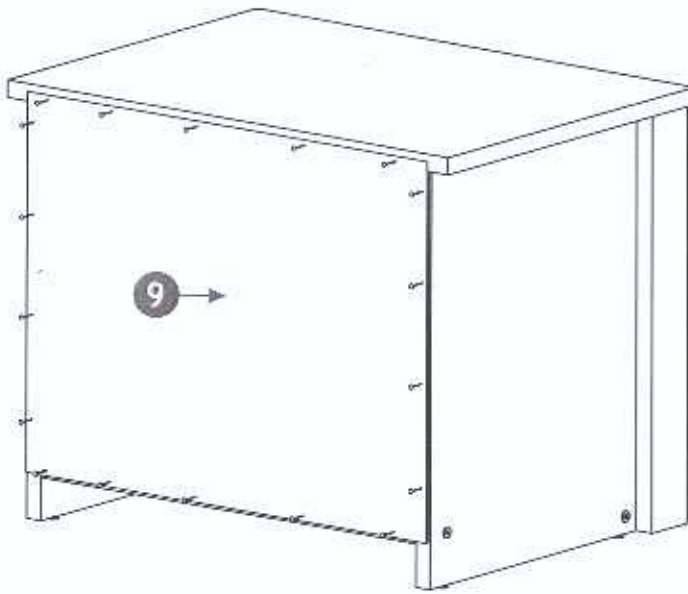
2 ▶



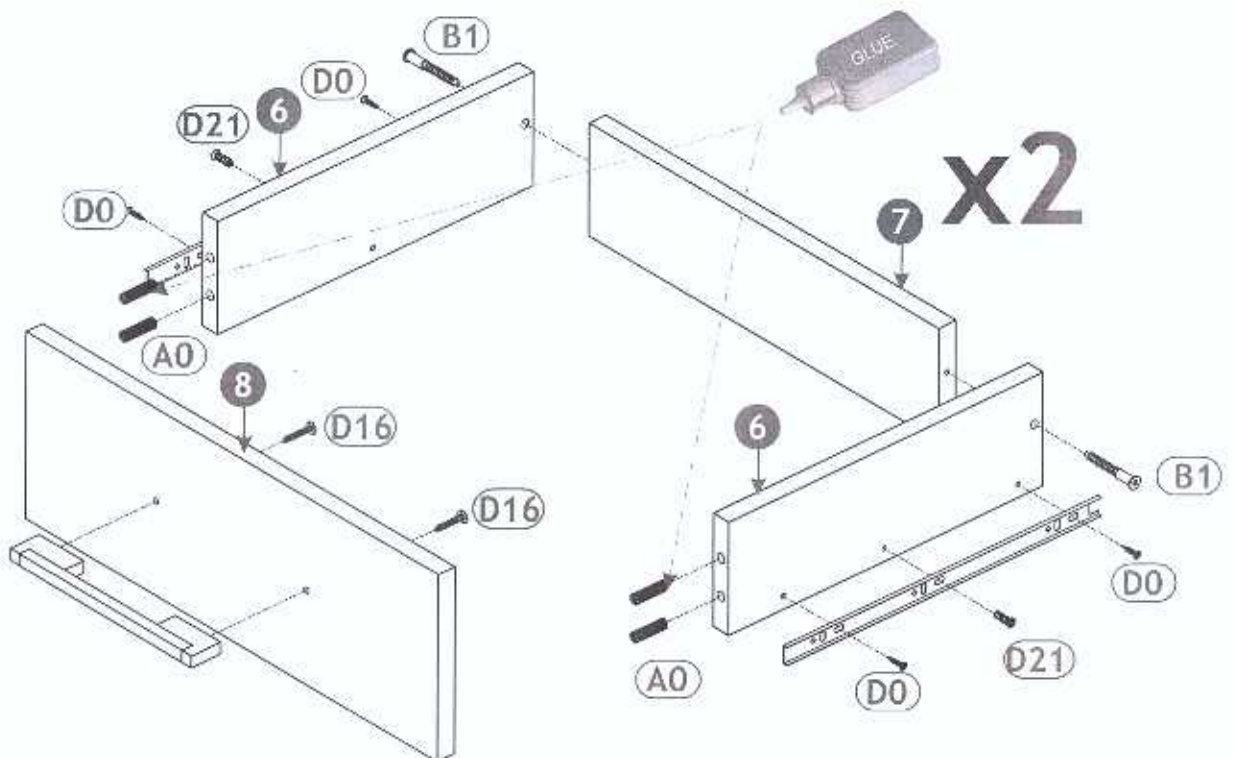
3 ▶



4 ▶

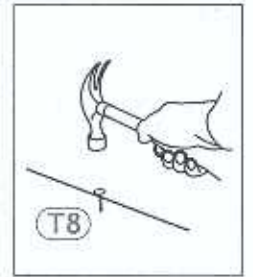
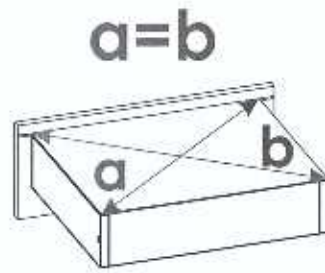
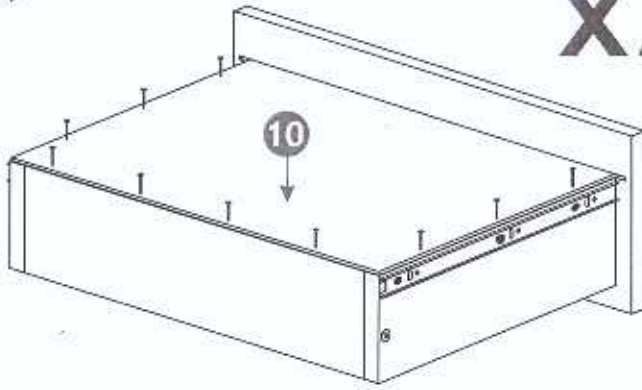


5 ▶

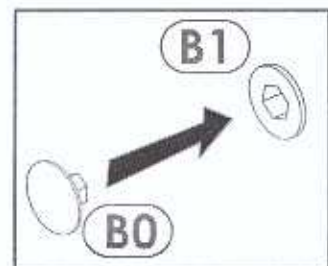
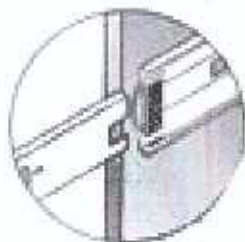
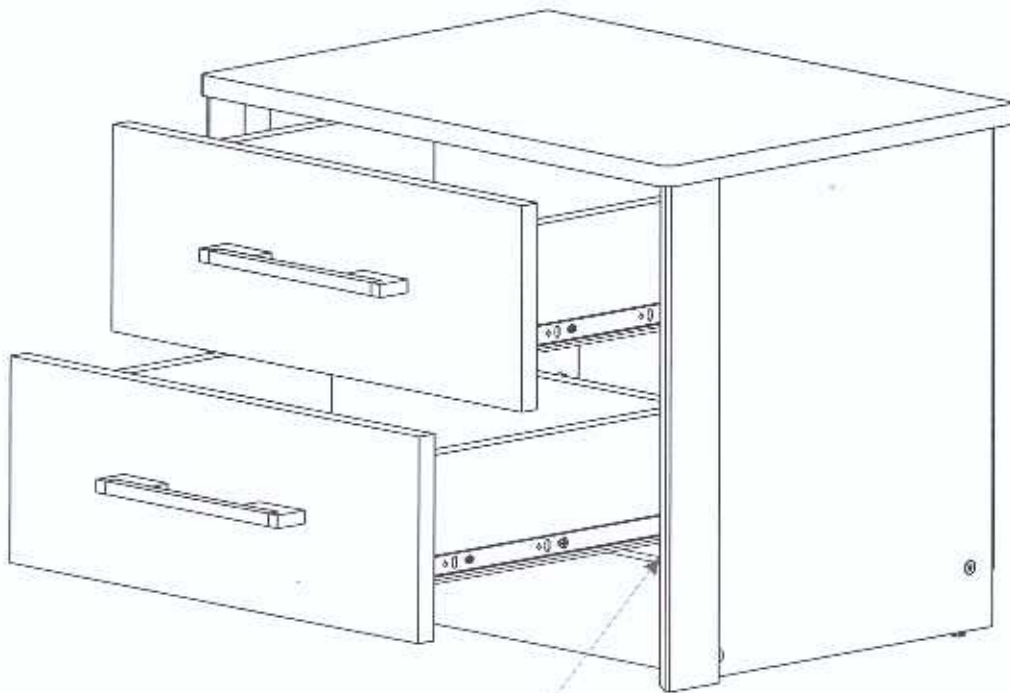


6 ▶

x2



7 ▶



8 ▶

