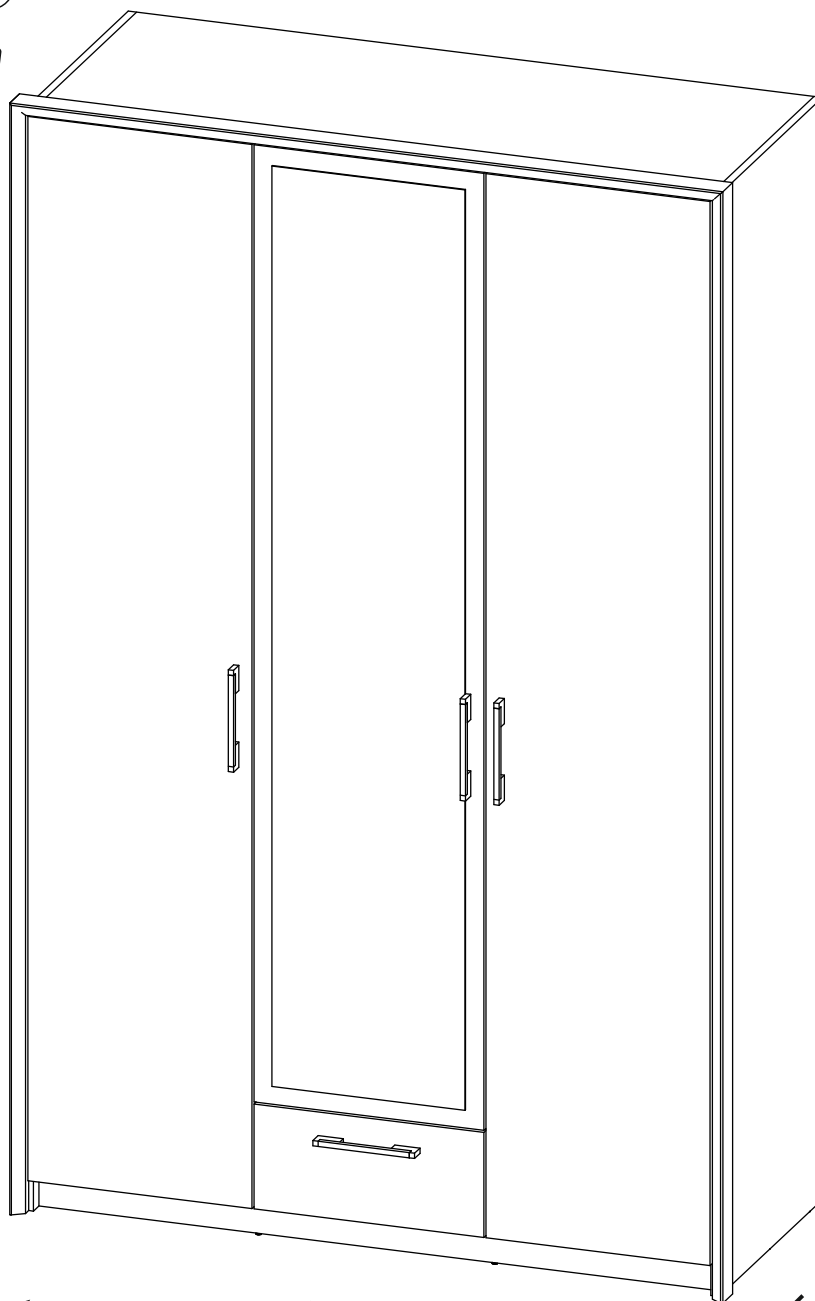
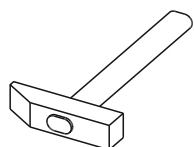
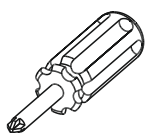
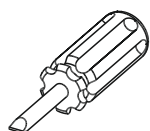
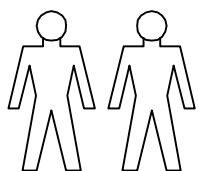
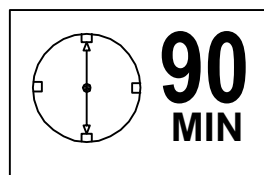


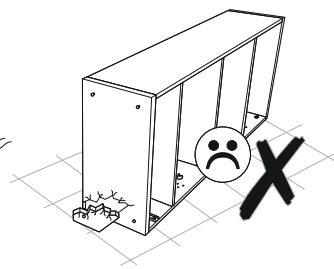
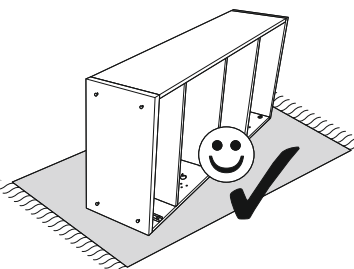
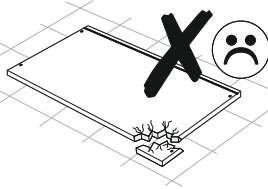
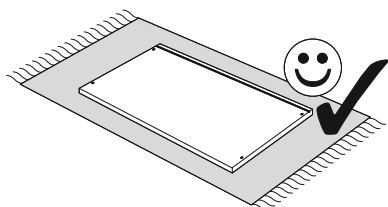
# SCARLET Wardrobe 3D



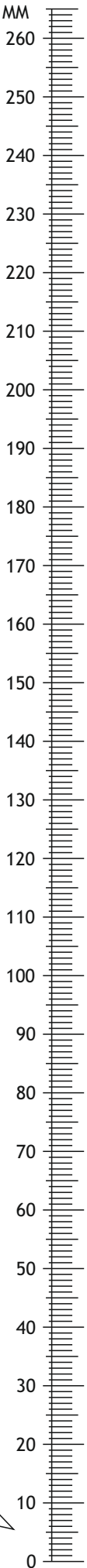
2120 mm


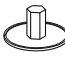
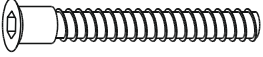


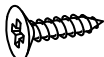


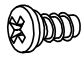
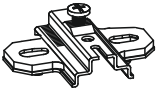


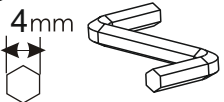
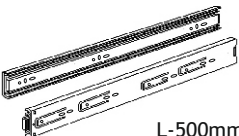
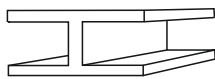


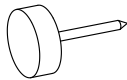
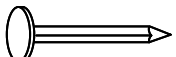
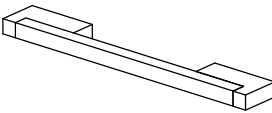
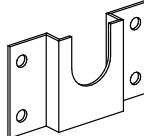
1359 mm

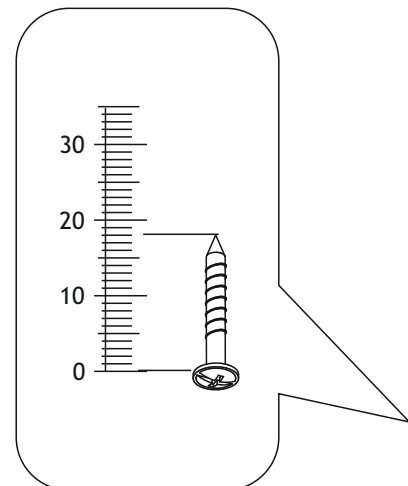
575 mm



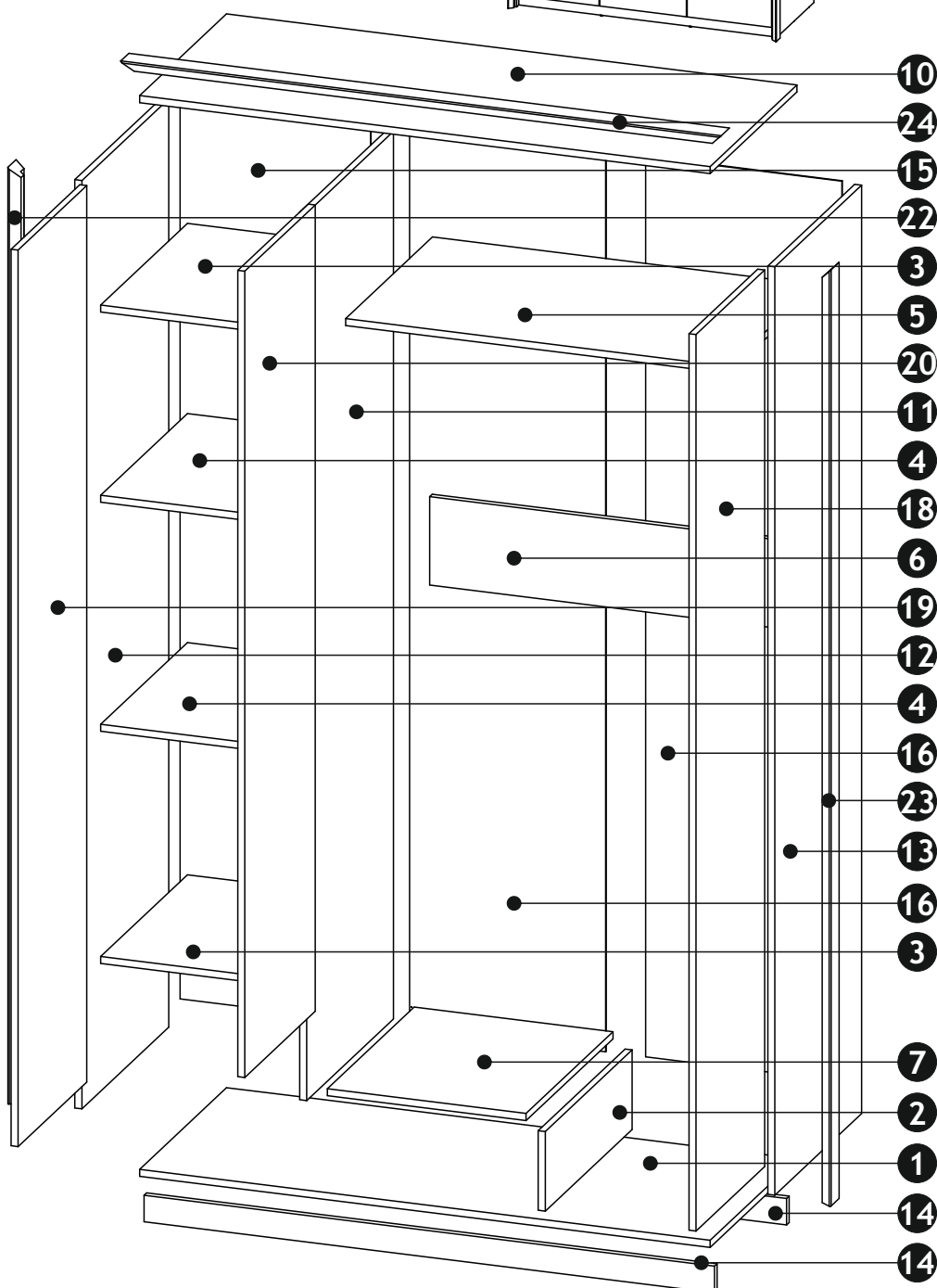
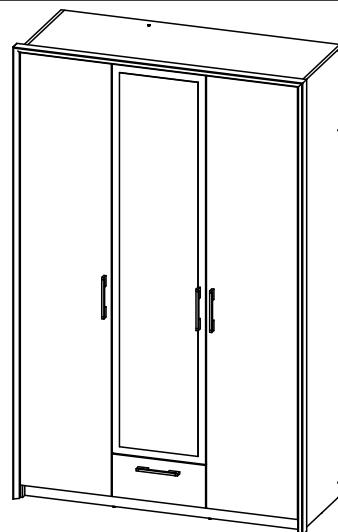
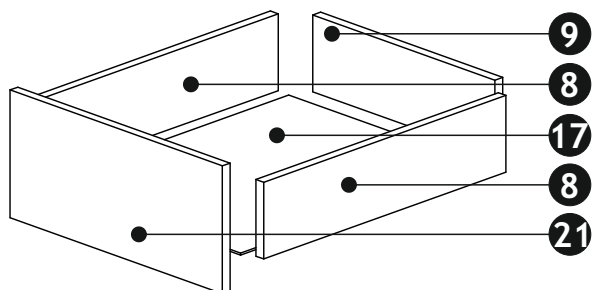
# SCARLET Wardrobe 3D




<b>A0</b> 8 x 32mm <b>x23</b> 	<b>B0</b>  <b>x20</b> 	<b>B1</b> f 7 x 50 mm <b>x40</b> 
<b>D0</b> 3 x 15 mm <b>x16</b> 	<b>D1</b> 3 x 25 mm <b>x13</b> 	<b>D10</b> 4 x 16 mm <b>x24</b> 
<b>D16</b> 4,2 x 28 mm <b>x8</b> 	<b>D21</b> 5 x 13 mm <b>x14</b> 	<b>D30</b> 6,3 x 13 mm <b>x24</b> 
<b>I1</b>  <b>x12</b> 	<b>I4</b>  <b>x8</b> 	<b>I6</b>  <b>x4</b> 
<b>K</b> 4mm <b>x1</b> 	<b>N9</b>  <b>x1</b> L-500mm 	<b>R5</b>  <b>x1</b> 
<b>S0</b>  <b>x1</b> 	<b>Q0</b>  <b>x8</b> 	<b>T3</b>  <b>x10</b> 
<b>T8</b>  <b>x120</b> 	 <b>x4</b> 	 <b>x2</b> 

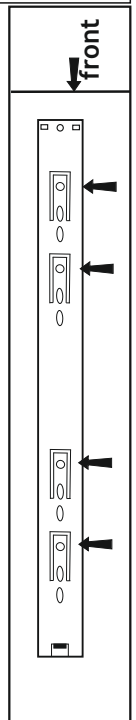
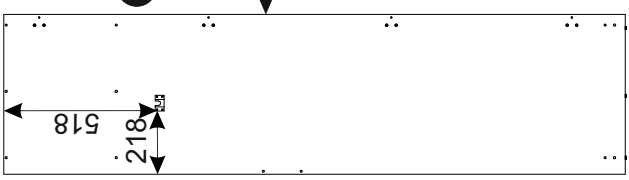
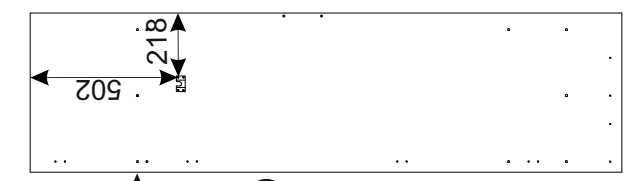
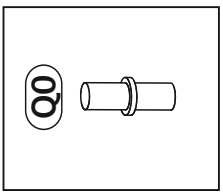
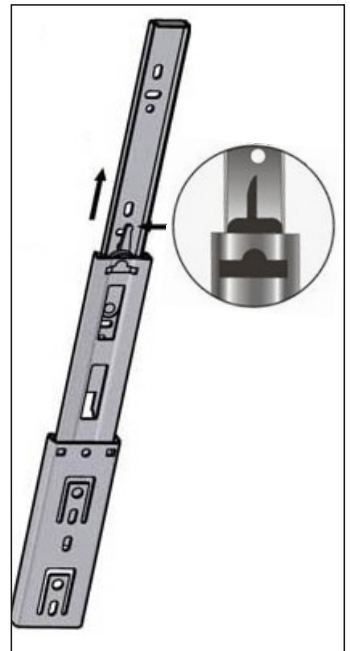
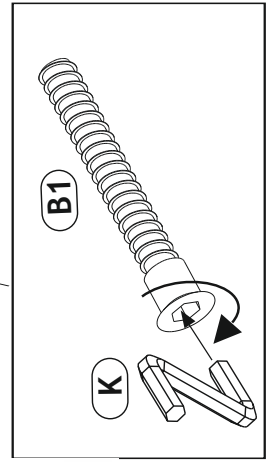
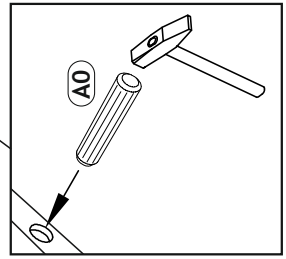
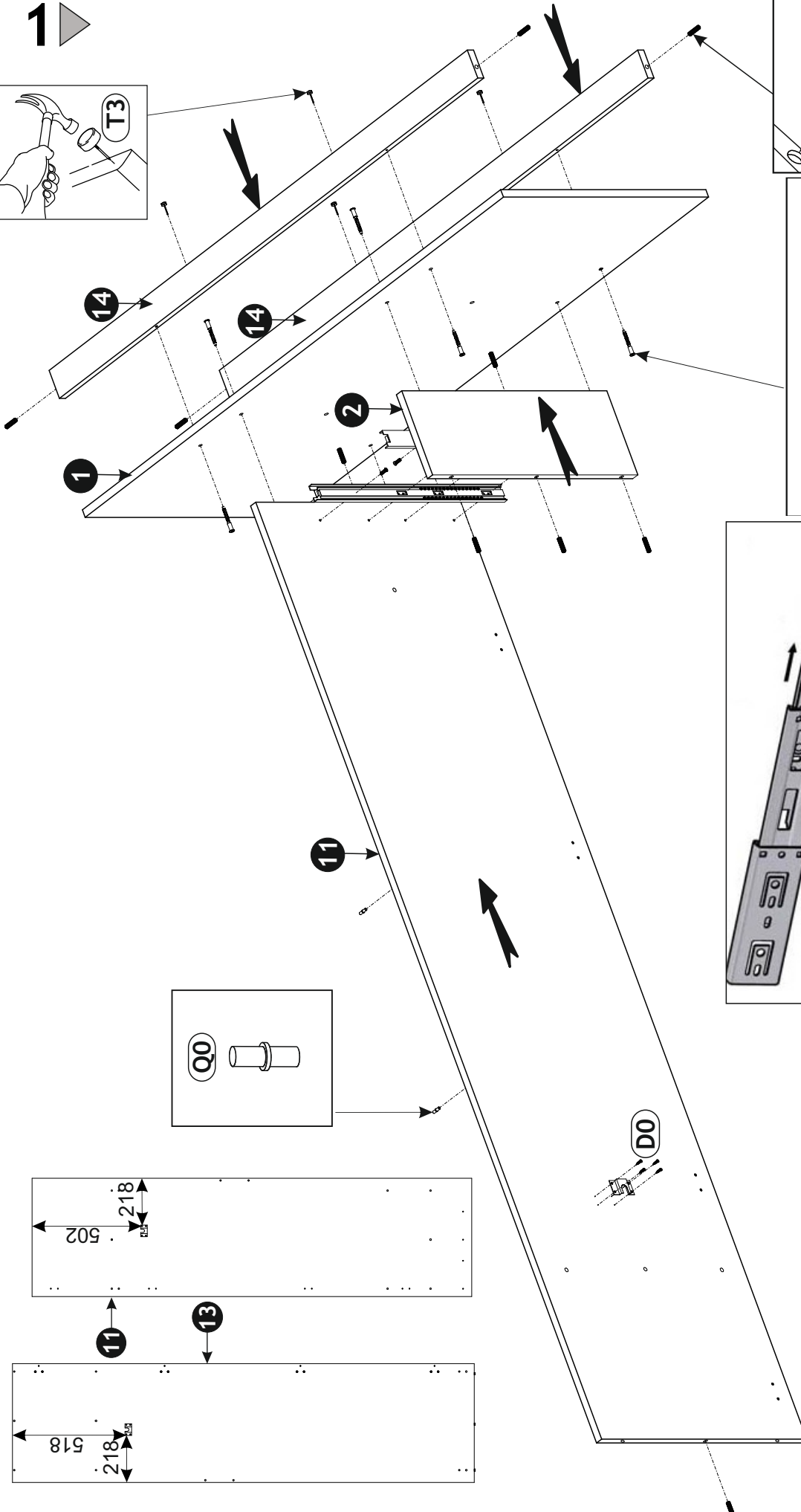
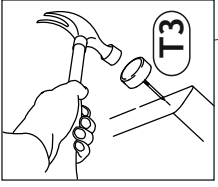


# SCARLET Wardrobe 3D

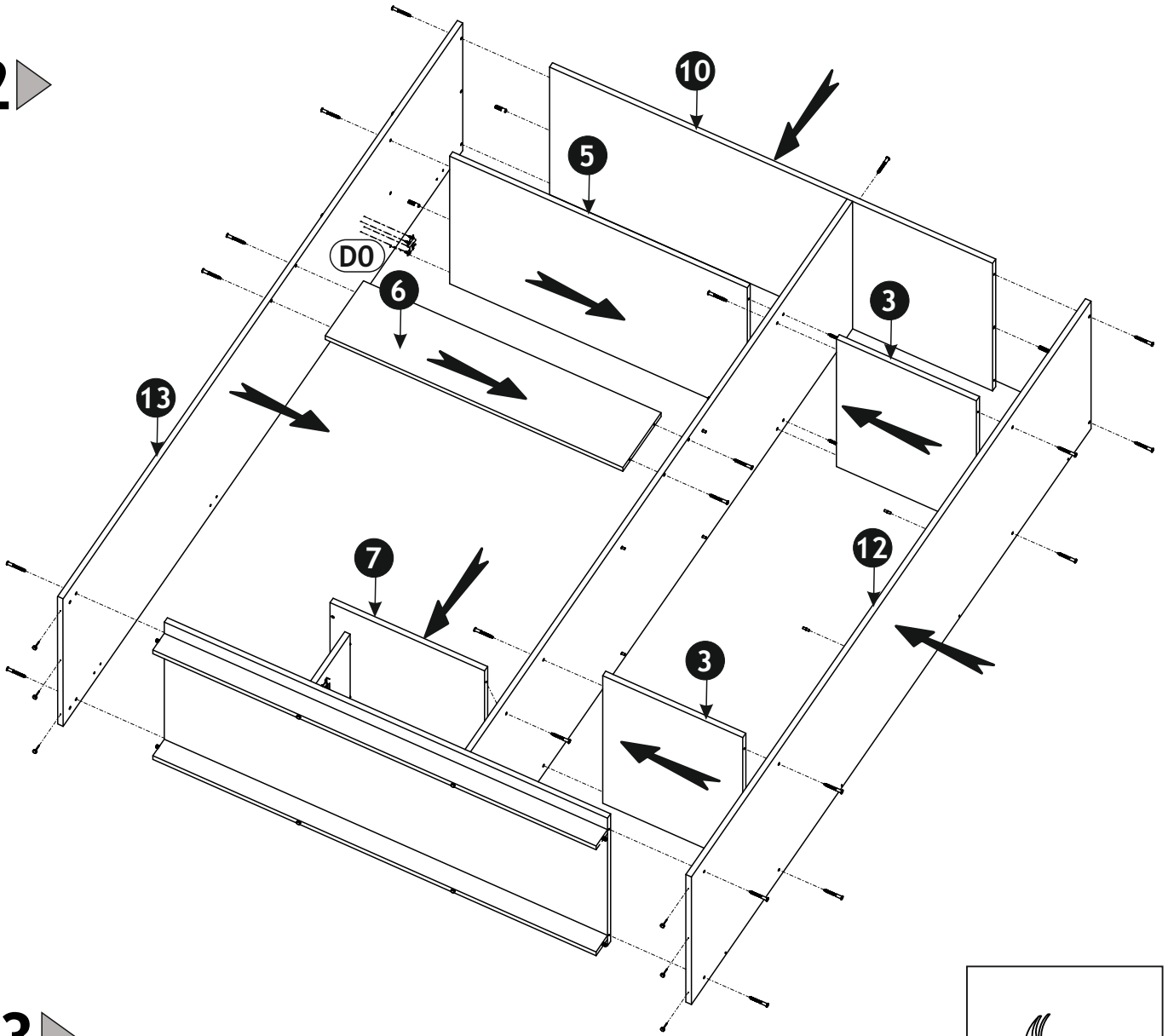


1	1291	540	16	x1	1/3
2	180	540	16	x1	1/3
3	408	540	16	x2	1/3
4	408	540	16	x2	1/3
5	867	540	16	x1	1/3
6	867	200	16	x1	1/3
7	450	540	16	x1	1/3
8	500	120	16	x2	1/3
9	376	120	16	x1	1/3
10	1291	540	16	x1	1/3
11	2008	540	16	x1	2/3
12	2100	540	16	x1	2/3
13	2100	540	16	x1	2/3
14	1291	60	16	x2	2/3
15	2036	431	3	x1	2/3
16	2036	444	3	x2	2/3
17	406	505	3	x1	2/3
18	2028	427	16	x1	3/3
19	2028	427	16	x1	3/3
20	1824	438	16	x1	3/3
21	438	200	16	x1	3/3
22	2118	55	25	x1	2/3
23	2118	55	25	x1	2/3
24	1359	55	25	x1	2/3
					1/3

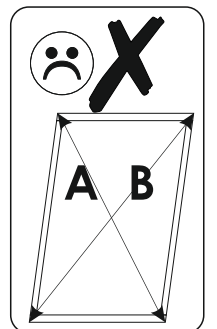
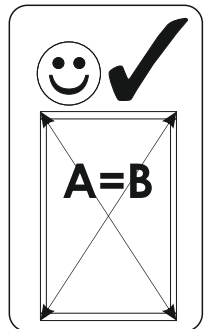
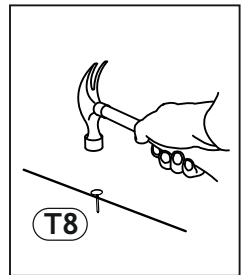
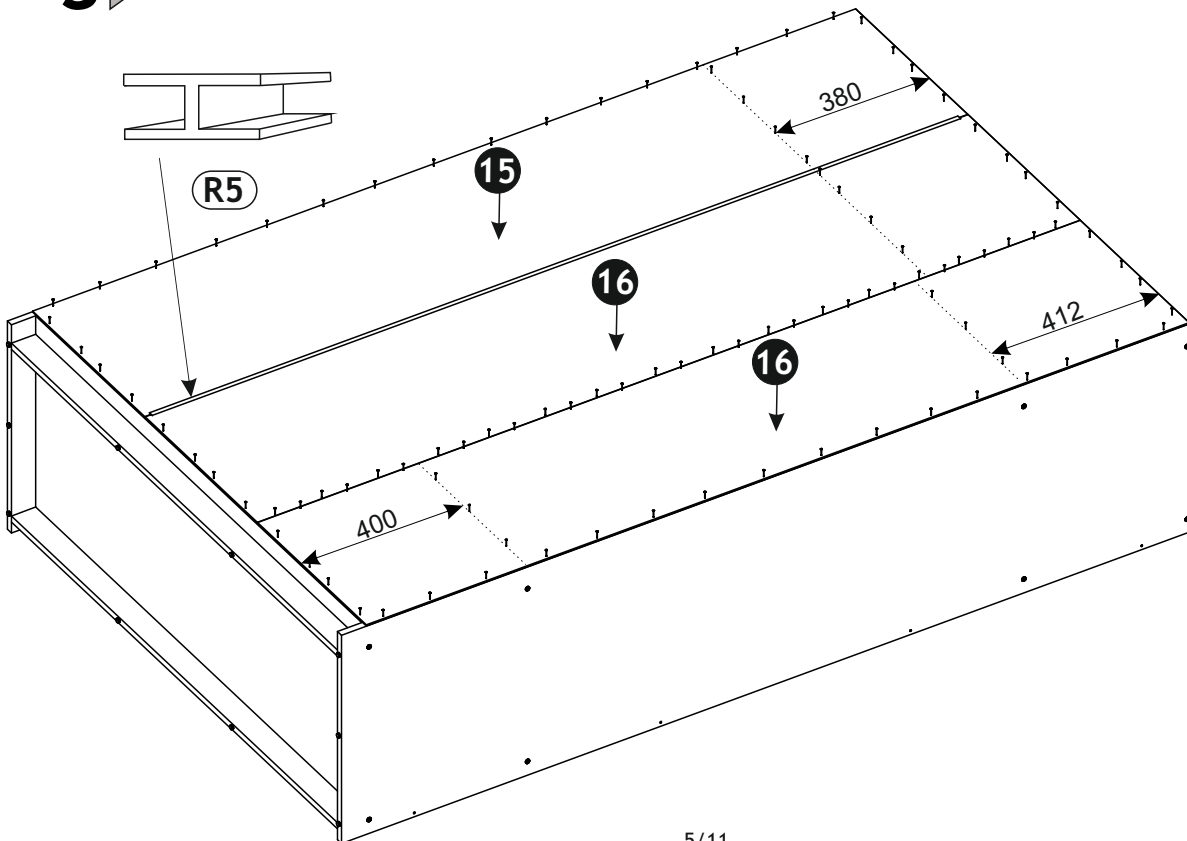
1 ▶



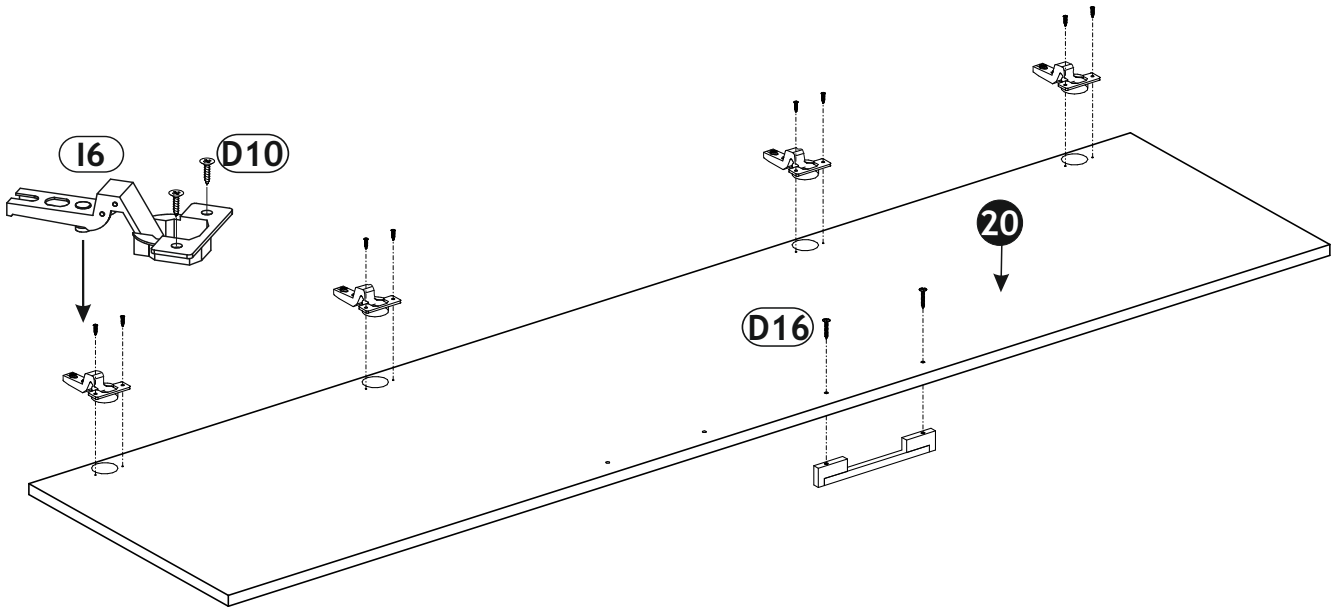
2 ▶



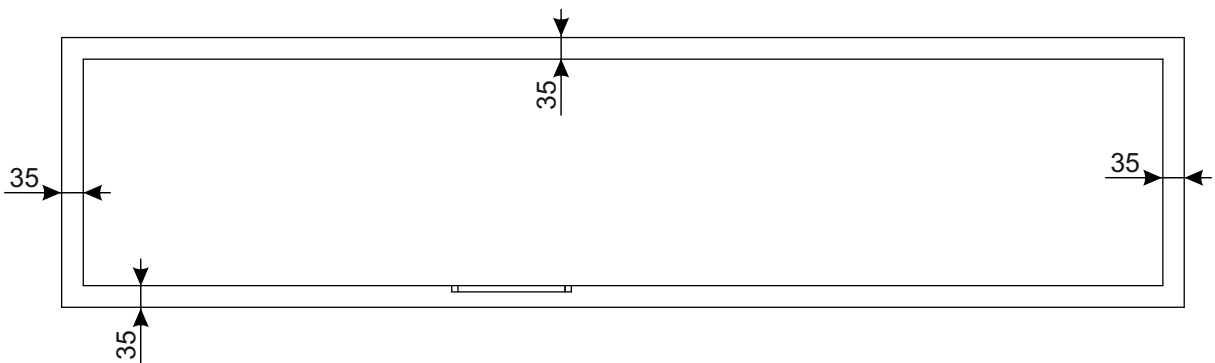
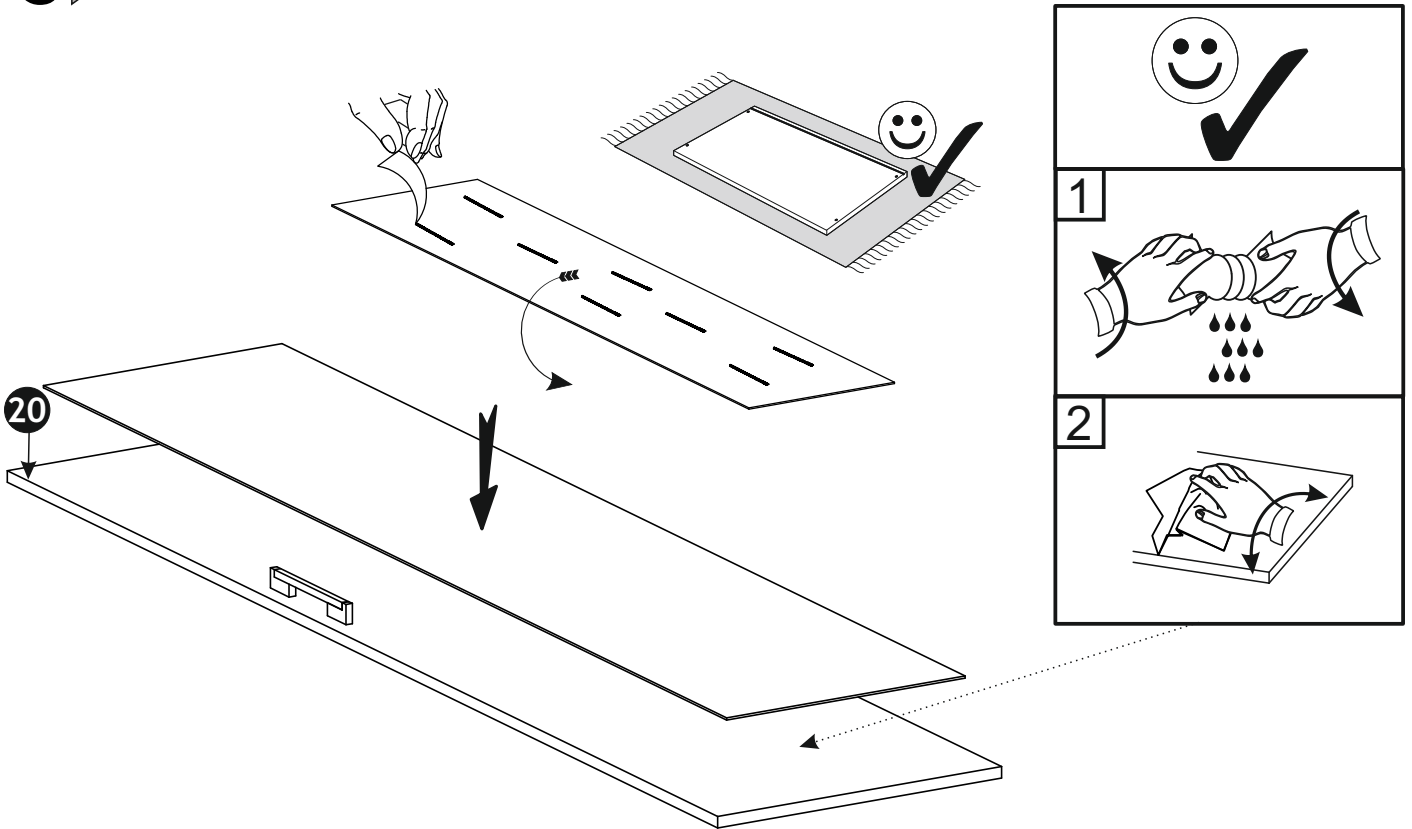
3 ▶



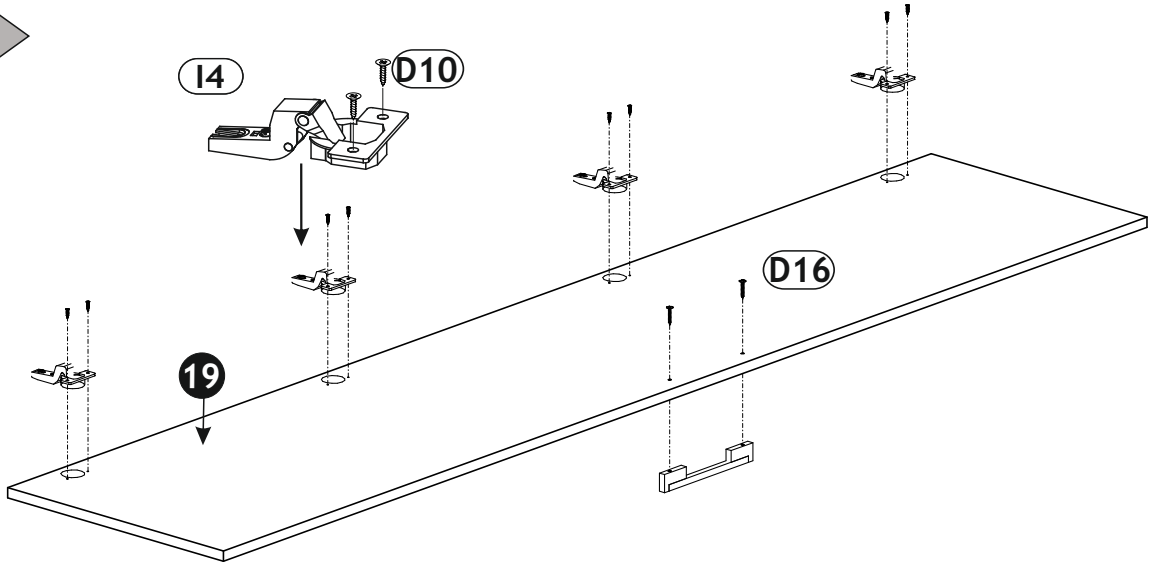
4 ▶



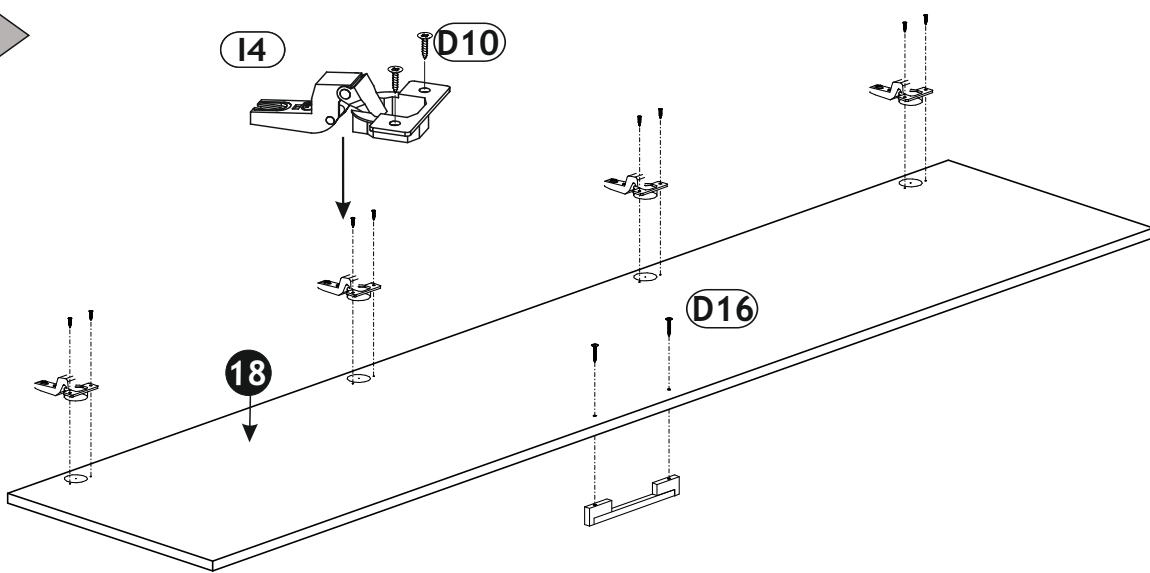
5 ▶



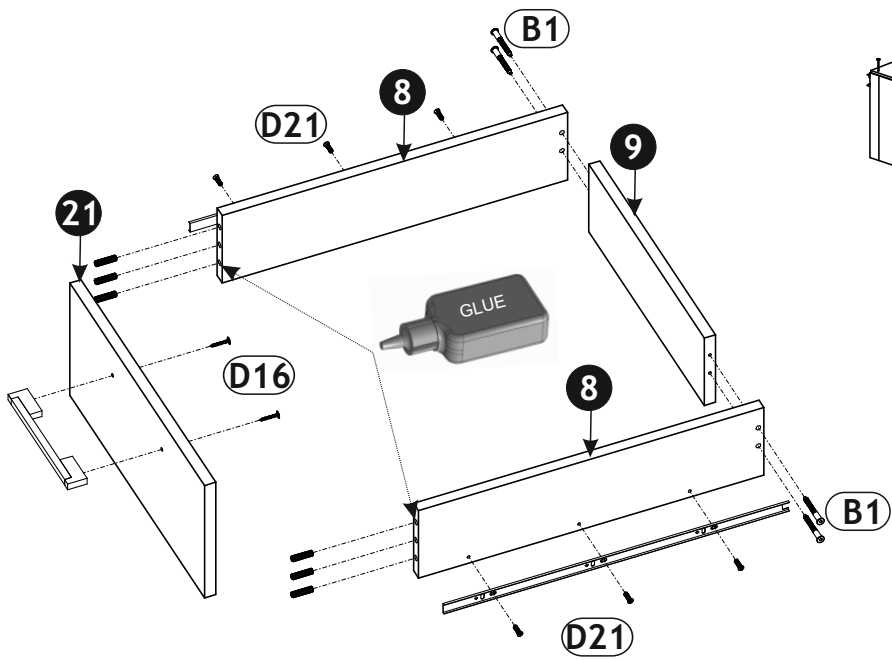
6 ▶



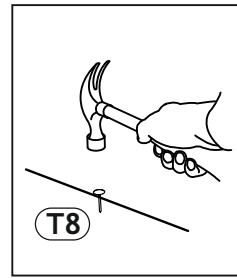
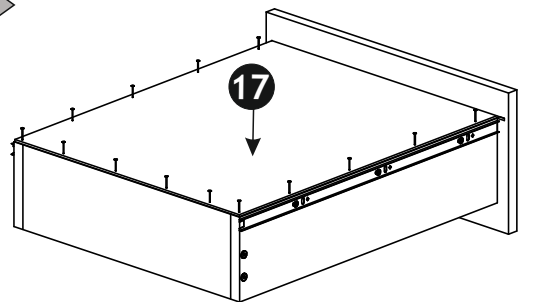
7 ▶



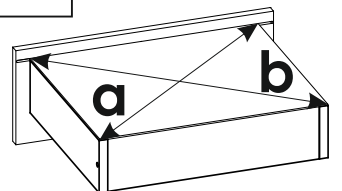
8 ▶



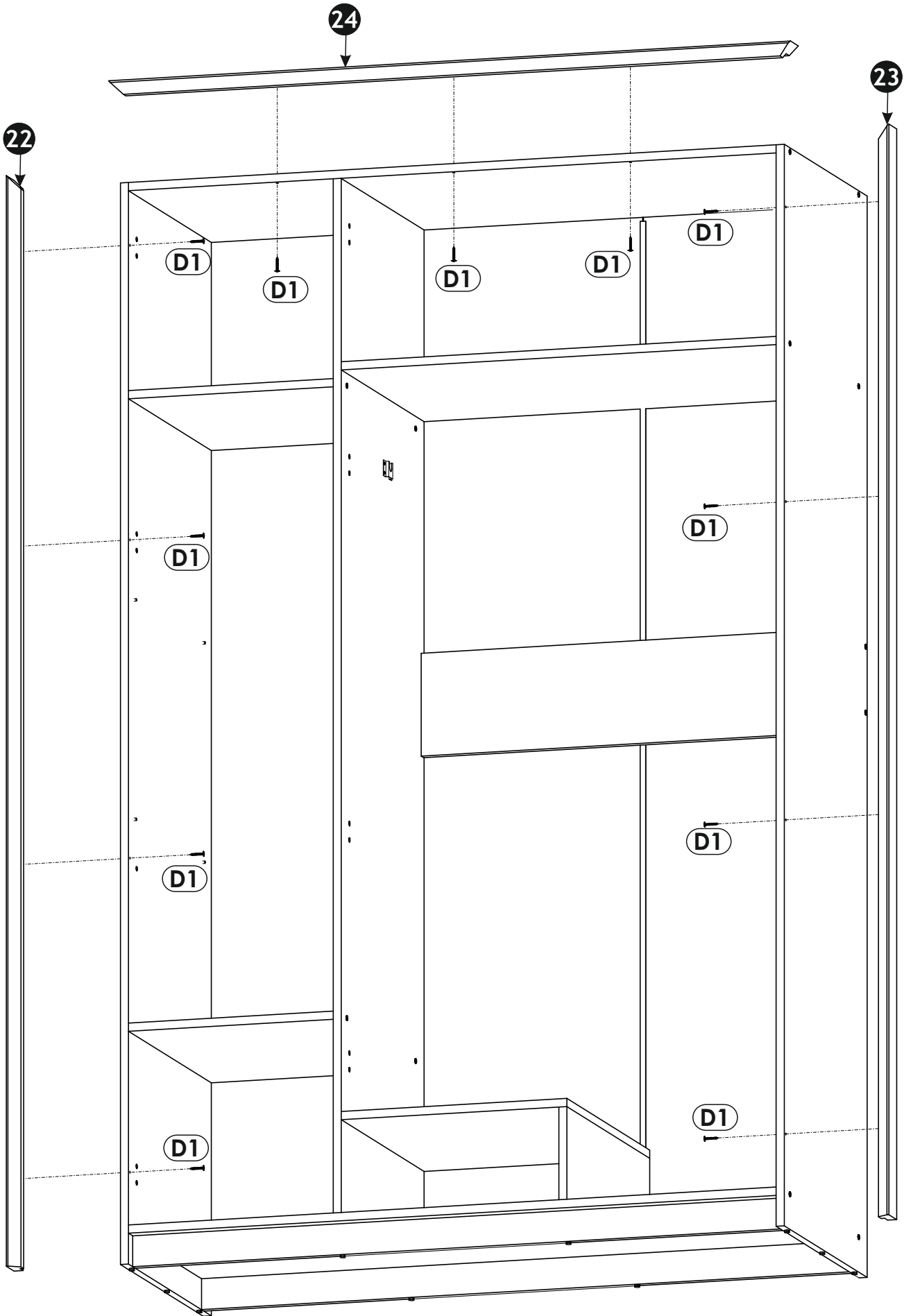
9 ▶



$a=b$

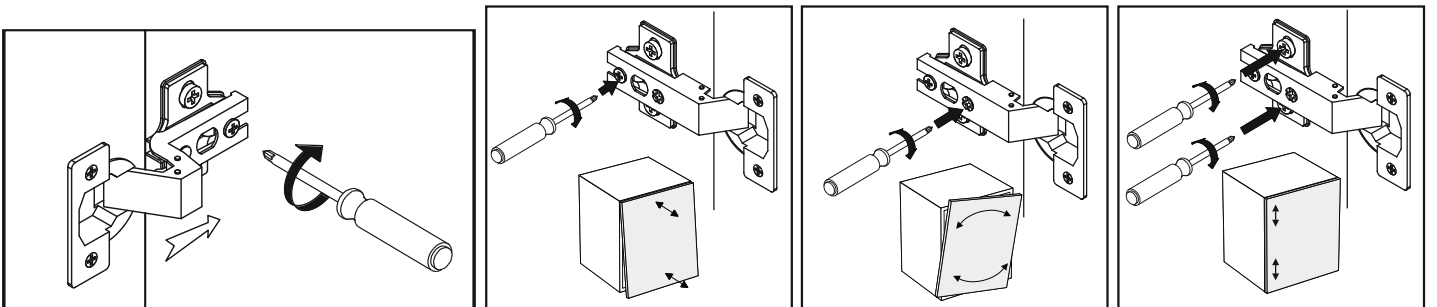
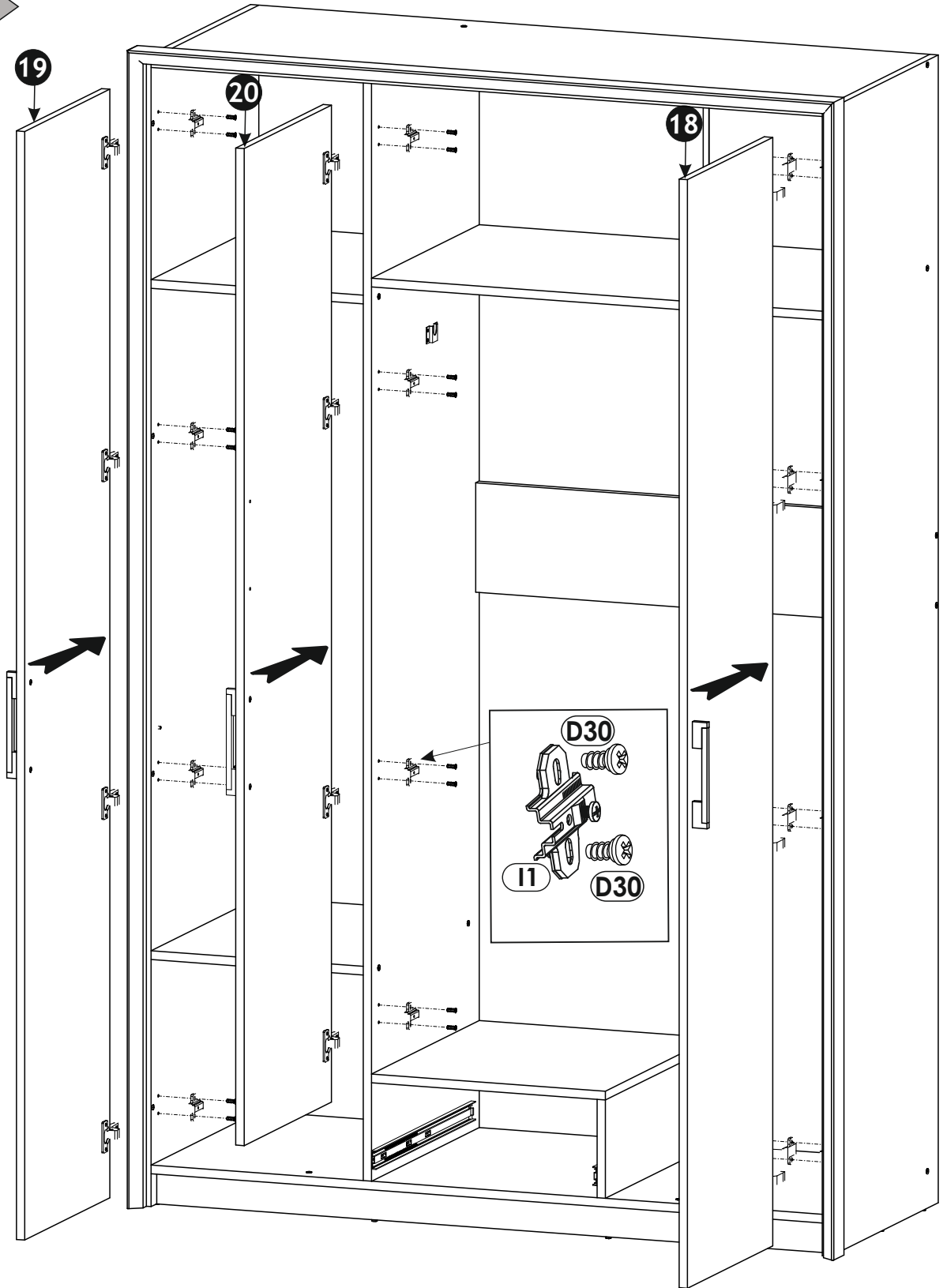


10 ▶





# 11



12 ▶

