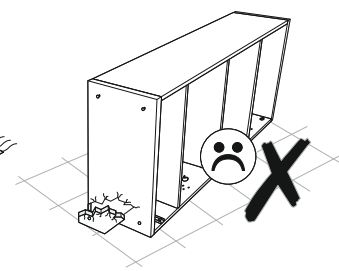
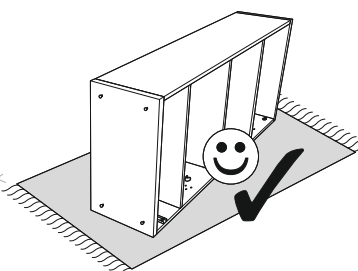
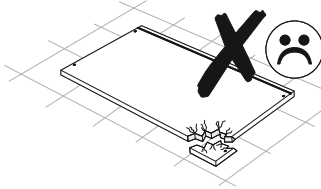
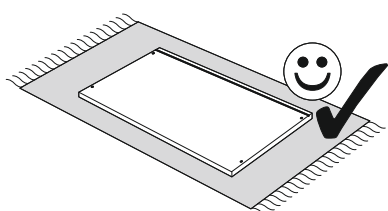
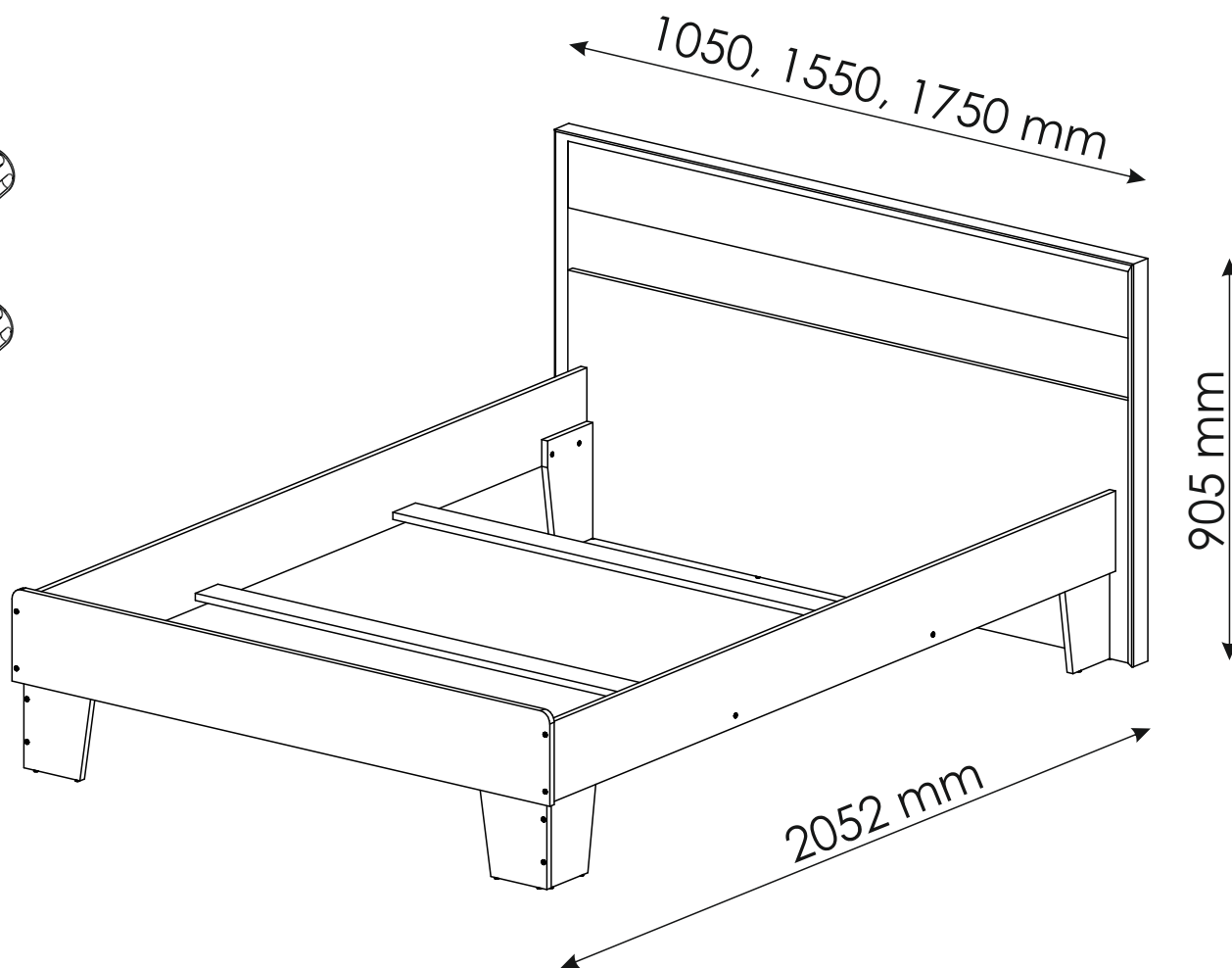
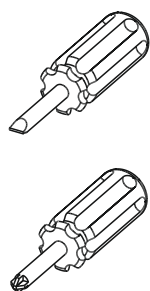
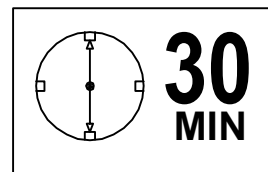
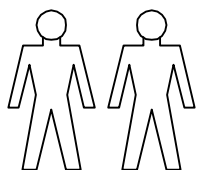

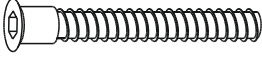



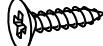

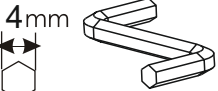

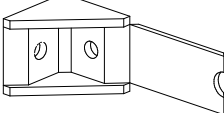
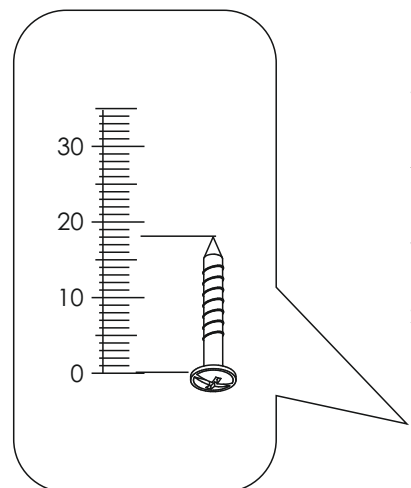
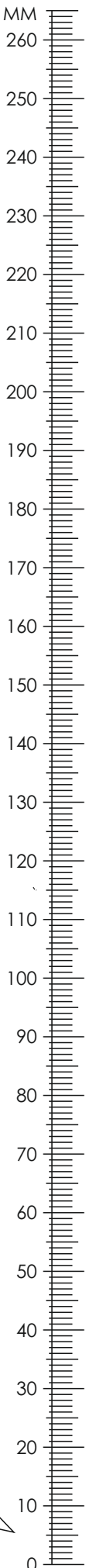


# SCARLET Bed 90, 140, 160




# SCARLET Bed 90, 140, 160

<b>B0</b>  <b>x4</b> <b>x8</b>	<b>B1</b> f 7 x 50 mm <b>x18</b> 	<b>C2</b> <b>x13</b> <b>(90) x12</b> 
<b>C7</b> <b>x13</b> <b>(90) x12</b> 16 mm 	<b>D1</b> 3 x 25 mm <b>x12</b> <b>(90) x8</b> 	<b>D10</b> 4 x 16 mm <b>x4</b> 
<b>D16</b> 4,2 x 28 mm <b>x12</b> 	<b>K</b> <b>x1</b> 4mm 	<b>T3</b> <b>x14</b> 
 <b>x2</b>		




# SCARLET Bed 90, 140, 160


## 90

1	1000	590	16 x1	1/2
2	1000	150	16 x1	1/2
3	900	80	16 x2	1/2
4	940	210	16 x1	1/2
5	260	180	16 x2	1/2
6	1013	200	16 x1	1/2
7	260	160	16 x2	1/2
8	260	160	16 x2	1/2
9	2000	180	16 x1	2/2
10	905	55	25 x1	2/2
11	905	55	25 x1	2/2
12	1050	55	25 x1	2/2
				1/2

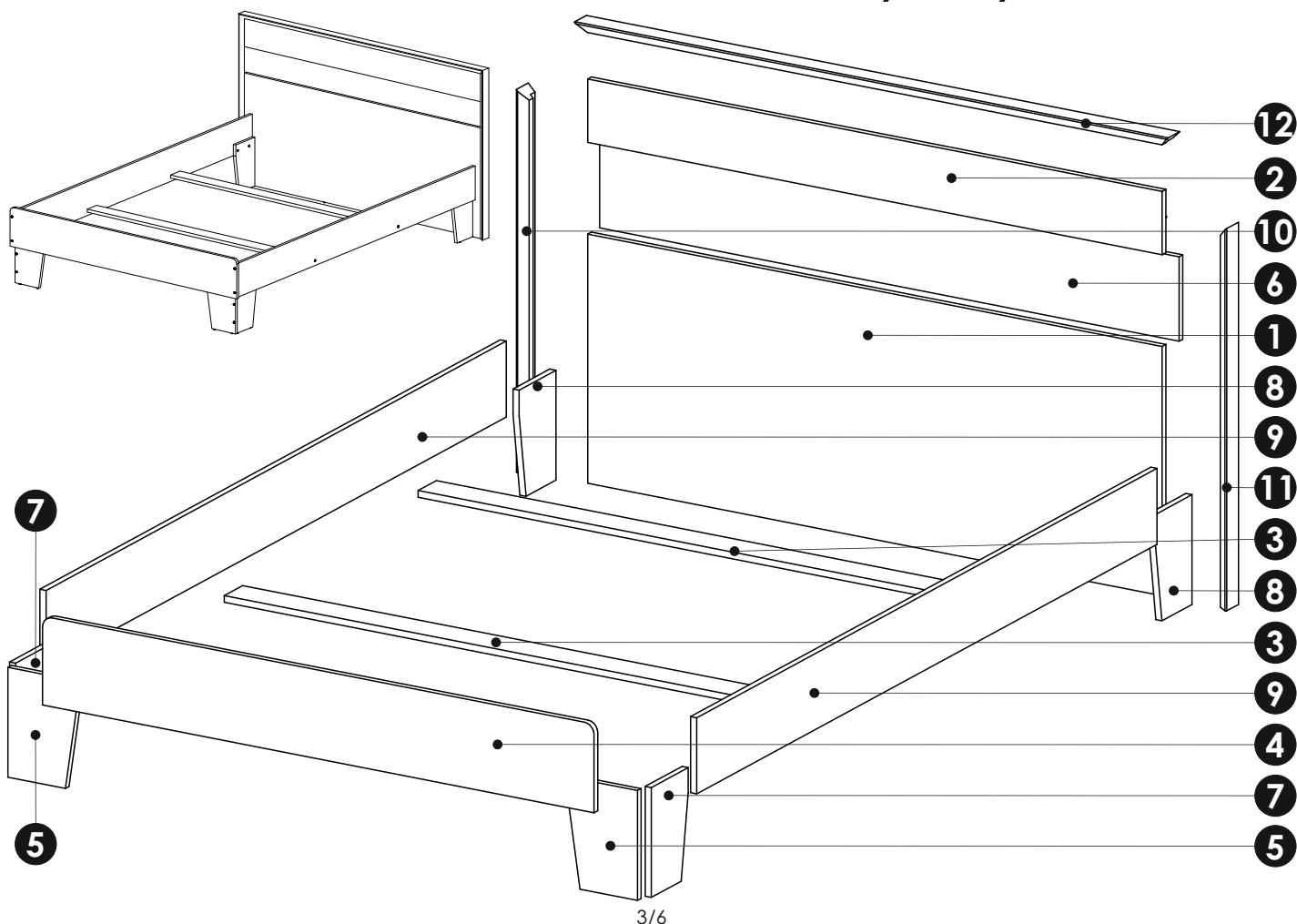
## 140

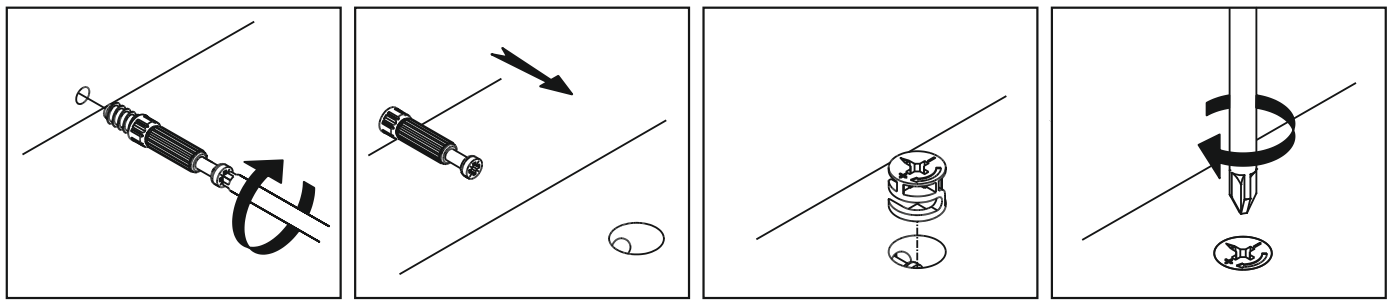
1	1500	590	16 x1	1/2
2	1500	150	16 x1	1/2
3	1400	80	16 x2	1/2
4	1440	210	16 x1	1/2
5	260	180	16 x2	1/2
6	1513	200	16 x1	1/2
7	260	160	16 x2	1/2
8	260	160	16 x2	1/2
9	2000	180	16 x1	2/2
10	905	55	25 x1	2/2
11	905	55	25 x1	2/2
12	1050	55	25 x1	2/2
				1/2

## 160

1	1700	590	16 x1	1/2
2	1700	150	16 x1	1/2
3	1600	80	16 x2	1/2
4	1640	210	16 x1	1/2
5	260	180	16 x2	1/2
6	1713	200	16 x1	1/2
7	260	160	16 x2	1/2
8	260	160	16 x2	1/2
9	2000	180	16 x1	2/2
10	905	55	25 x1	2/2
11	905	55	25 x1	2/2
12	1050	55	25 x1	2/2
				1/2

## 90/140/160





1 ▶

