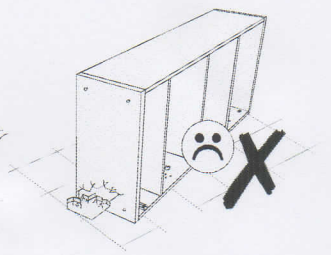
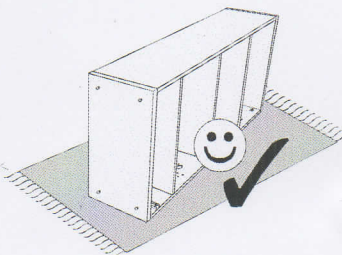
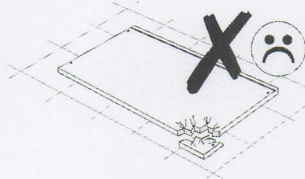
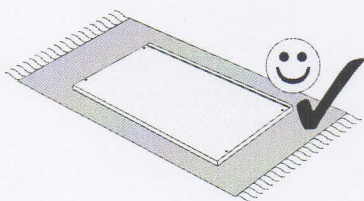
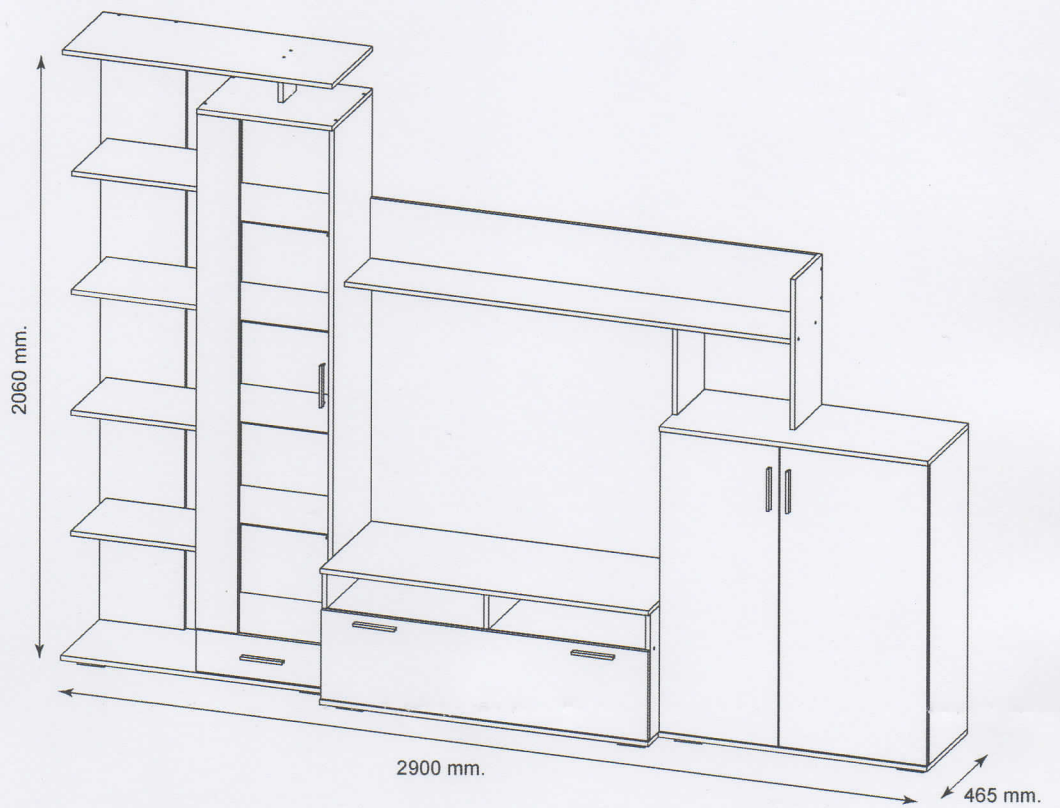
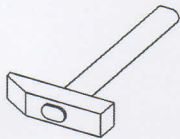
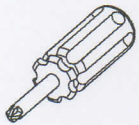
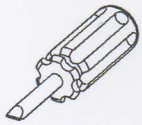
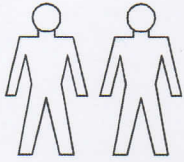
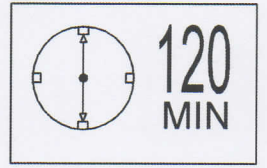






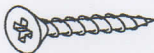


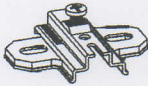
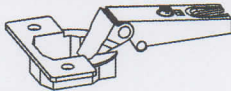

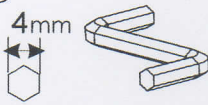

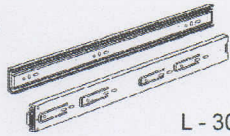





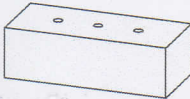
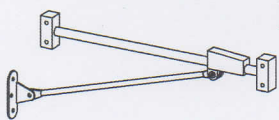


«POLO»

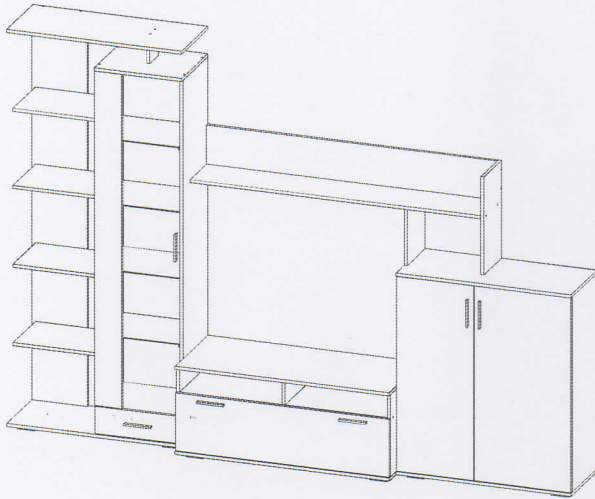


«POLO»

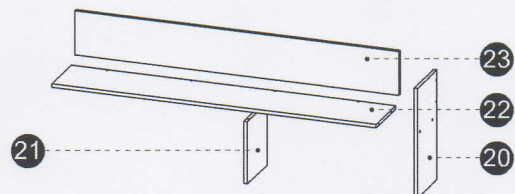
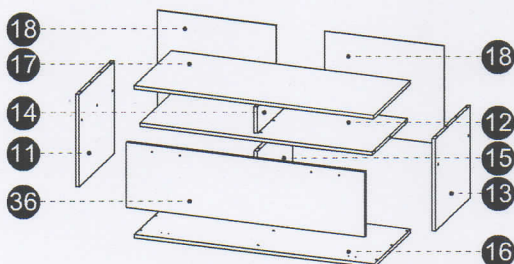
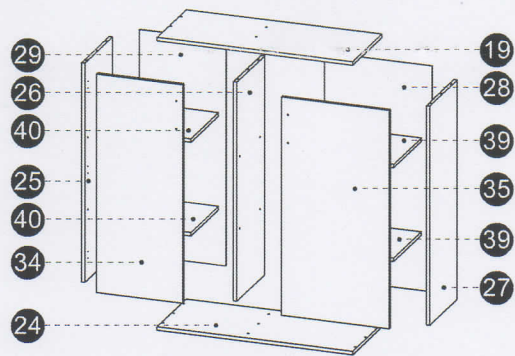
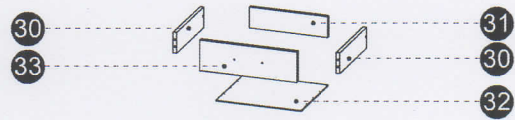
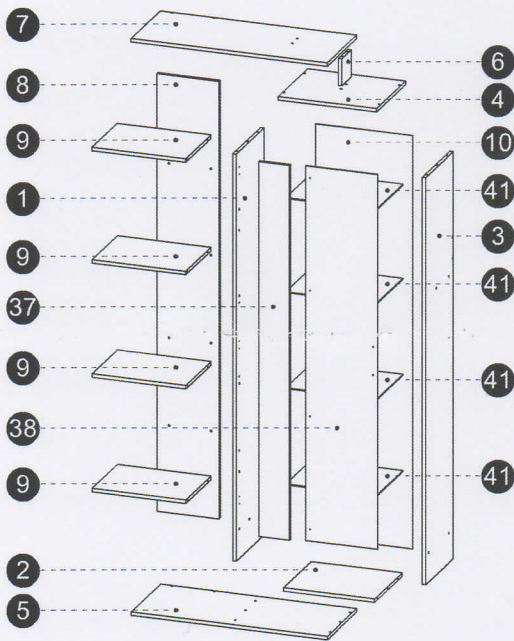


(A0) 8 x 32mm x45 	(B0) x20 	(B1) f 7 x 50 mm x73 
(D0) 3 x 15 mm x10 	(D10) 4 x 16 mm x22 	(D12) 4 x 25 mm x10 
(D14) 4 x 35 mm x45 	(D21) 5 x 13 mm x10 	(D31) 6,3 x 13 mm x22 
(I1) x12 	(I3) d 26mm x9 	(I4) x2 
(K) 4mm x1 	 x5 	(N6) x1 L - 300mm 
(Q0) x16 	(Q4) x18 	(T8) x150 
(U1) x6 	 x6 	 
 x2		

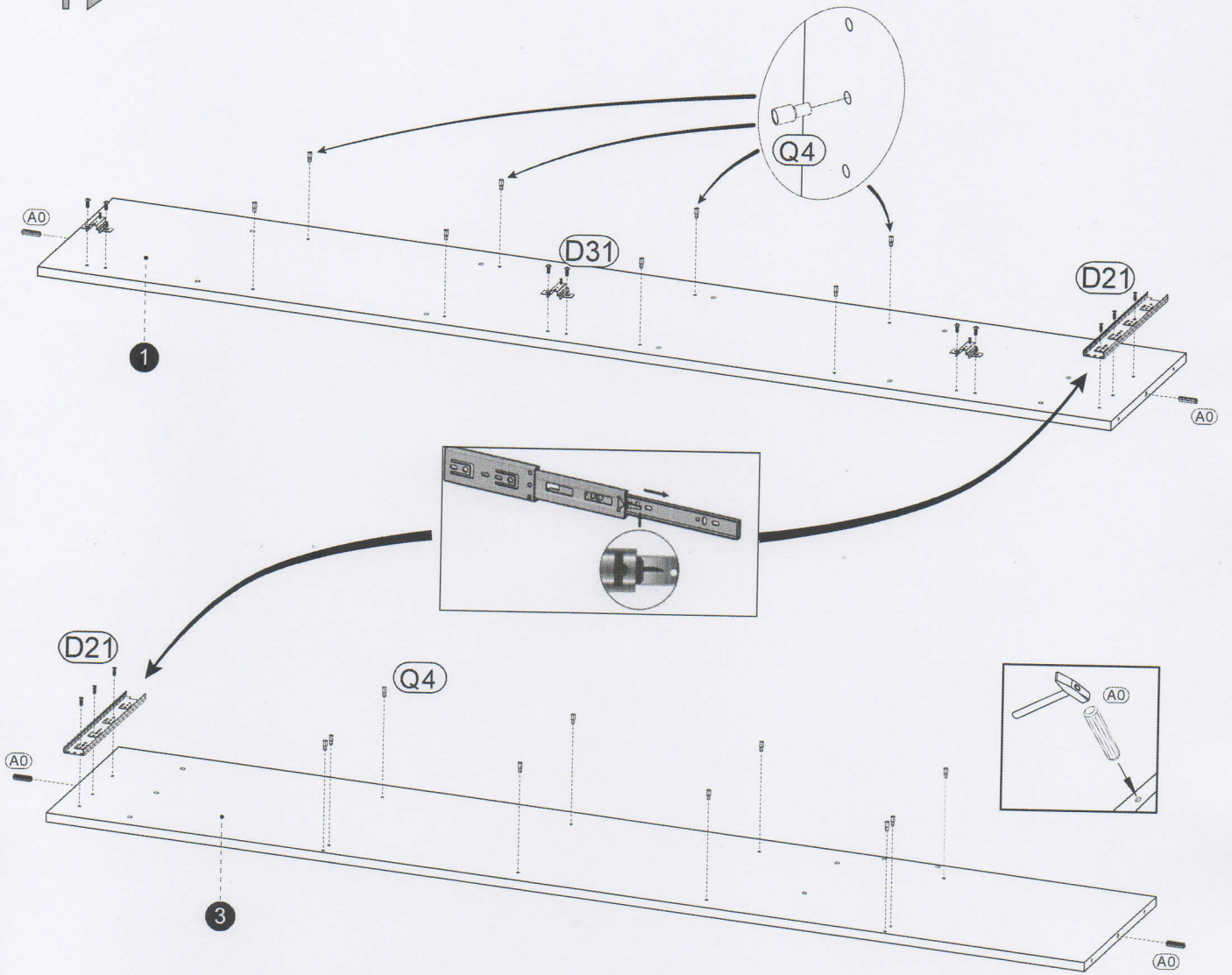
«POLO»



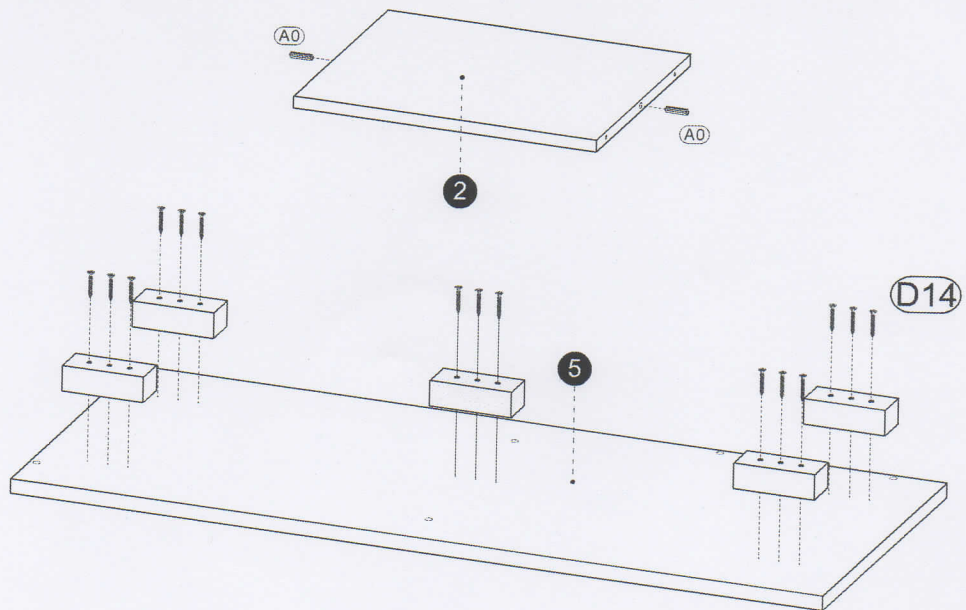
①	1860	350	16	x1	4/4	②②	1493	250	16	x1	4/4
②	417	350	16	x1	1/4	②③	1493	200	16	x1	4/4
③	1860	350	16	x1	4/4	②④	900	370	16	x1	2/4
④	450	370	16	x1	1/4	②⑤	1001	350	16	x1	2/4
⑤	900	370	16	x1	2/4	②⑥	1001	350	16	x1	2/4
⑥	124	120	16	x1	4/4	②⑦	1001	350	16	x1	2/4
⑦	900	320	16	x1	2/4	②⑧	1030	498	2,5	x1	4/4
⑧	2000	285	16	x1	4/4	②⑨	1030	398	2,5	x1	4/4
⑨	430	320	16	x4	1/4	③⑩	340	95	16	x2	1/4
⑩	1888	446	2,5	x1	4/4	③①	359	95	16	x1	4/4
⑪	420	445	16	x1	3/4	③②	390	345	2,5	x1	4/4
⑫	1067	445	16	x1	3/4	③③	446	140	16	x1	3/4
⑬	420	445	16	x1	3/4	③④	995	396	16	x1	1/4
⑭	120	445	16	x1	4/4	③⑤	995	496	16	x1	1/4
⑮	284	445	16	x1	4/4	③⑥	1096	296	16	x1	4/4
⑯	1100	465	16	x1	3/4	③⑦	1710	140	16	x1	4/4
⑰	1100	465	16	x1	3/4	③⑧	1710	330	4	x1	1/4
⑱	548	448	2,5	x2	4/4	③⑨	476	330	16	x2	1/4
⑲	900	370	16	x1	2/4	④⑩	376	330	16	x2	1/4
⑳	500	250	16	x1	4/4	④①	415	330	5	x4	1/4
㉑	284	250	16	x1	3/4						1/4



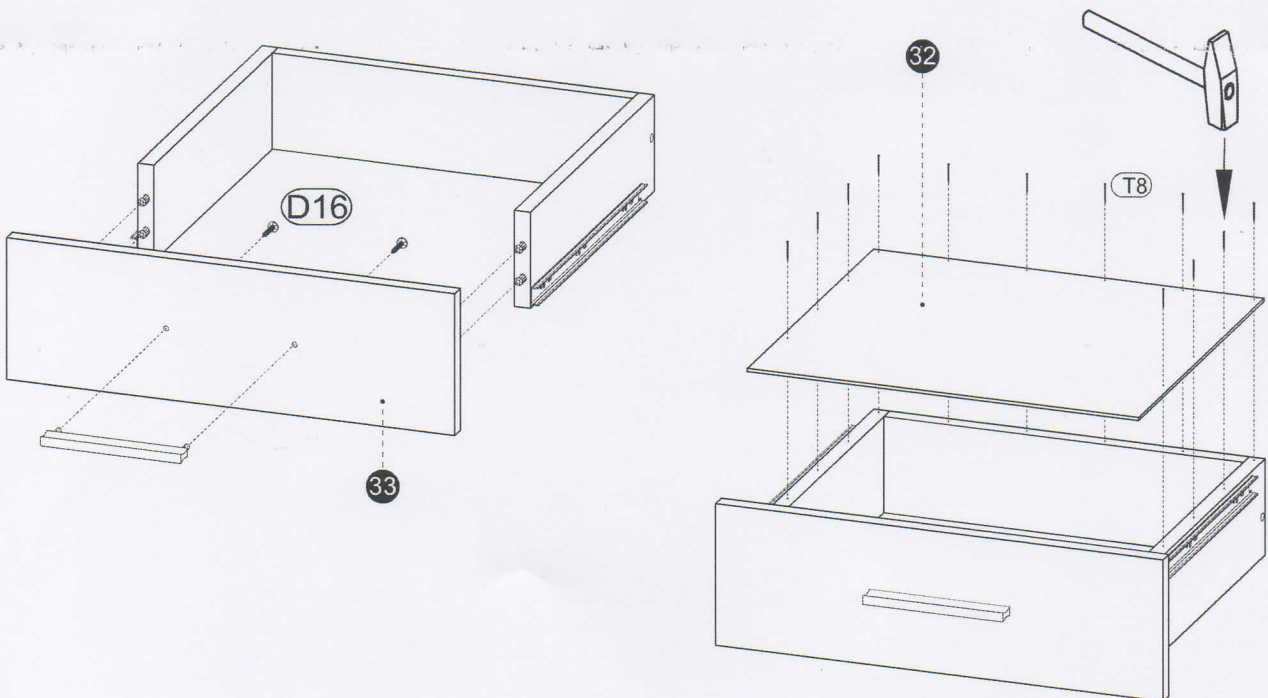
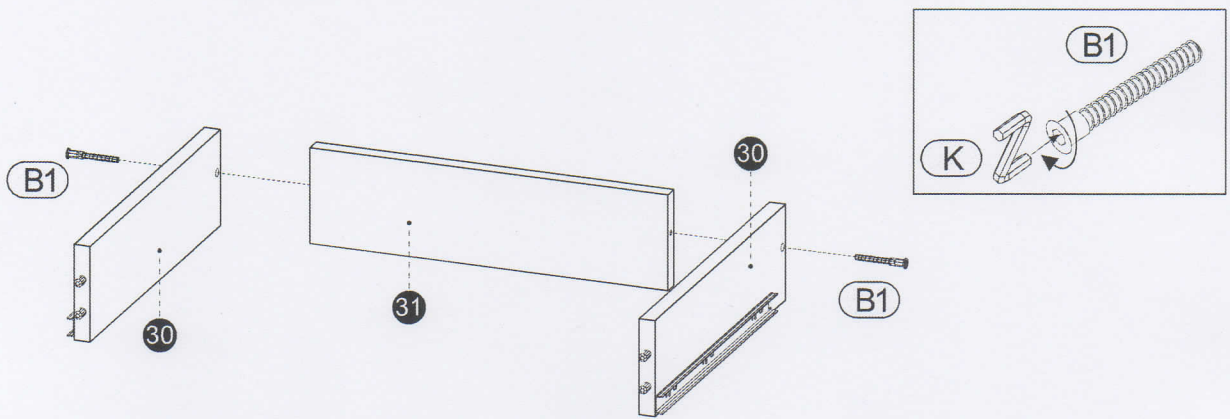
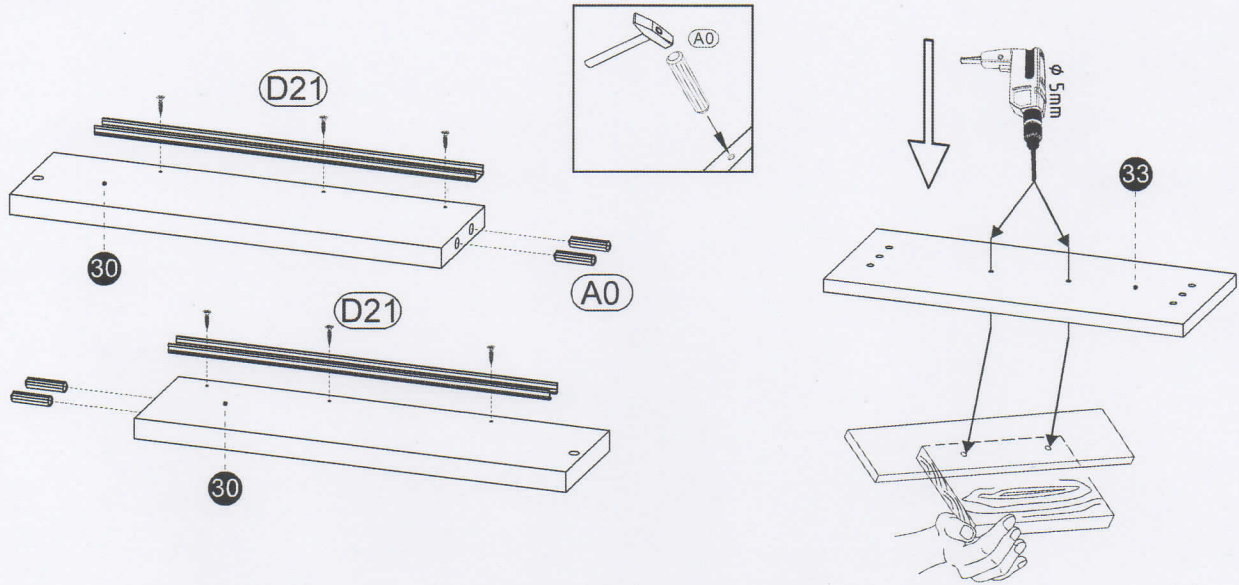
1 ▶

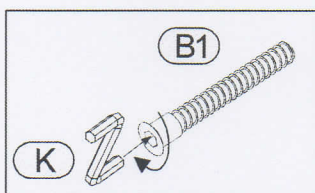
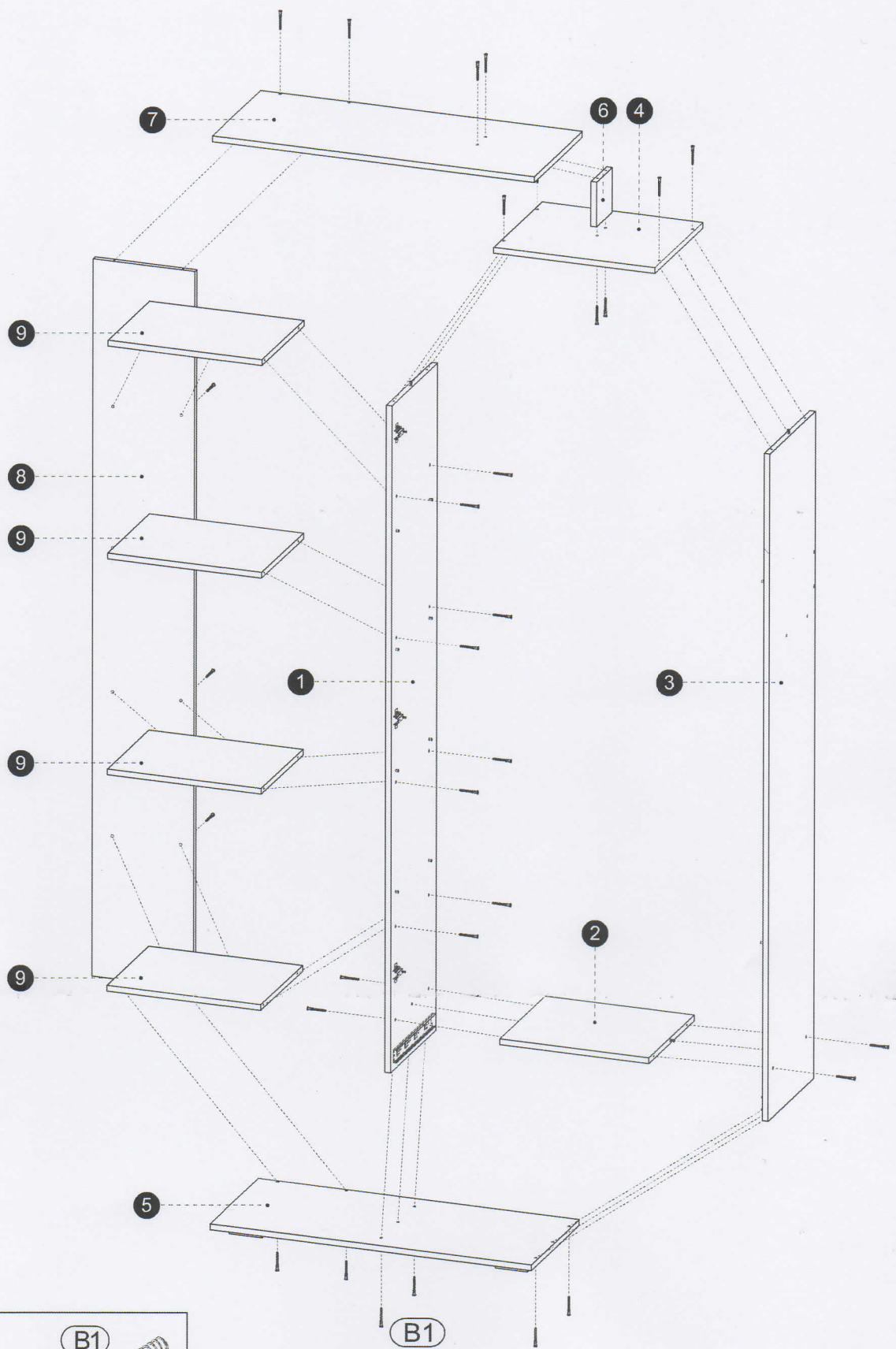


2 ▶

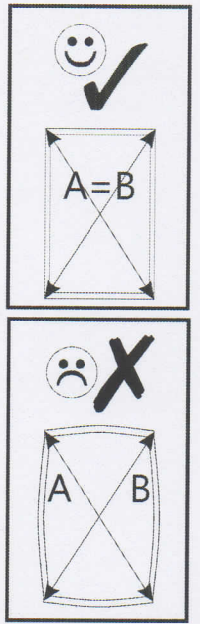
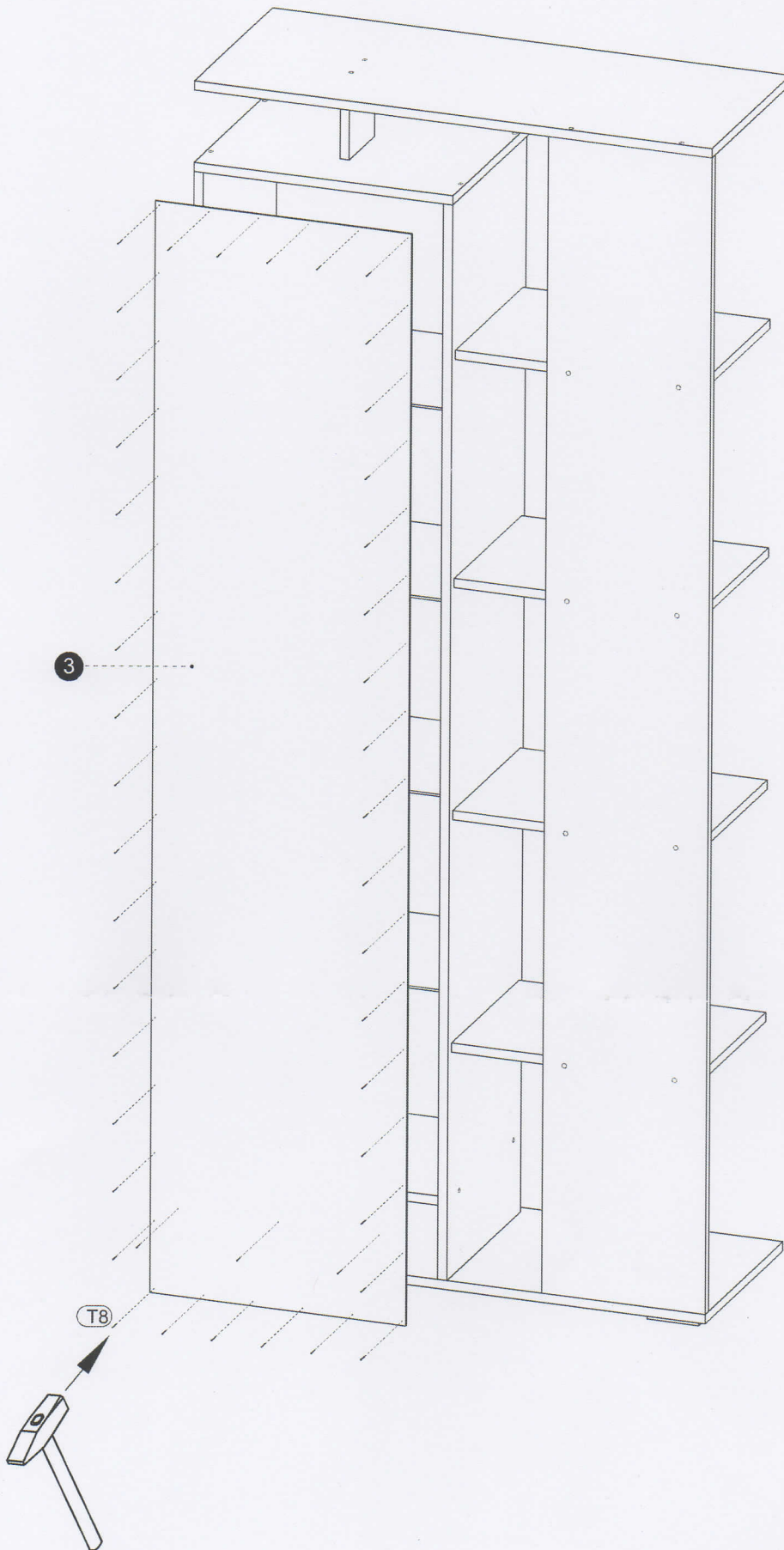


3 ▶

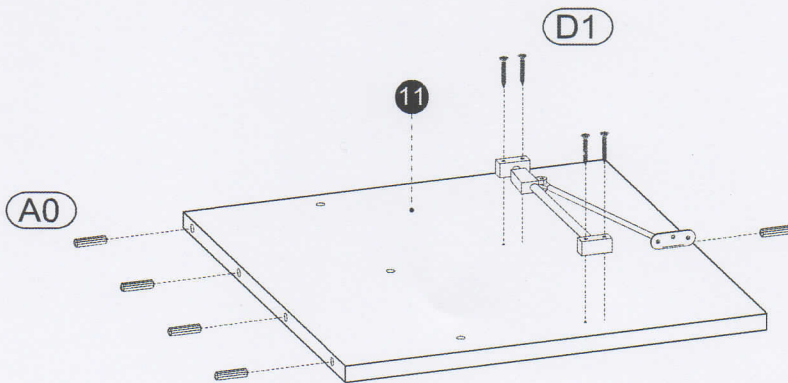
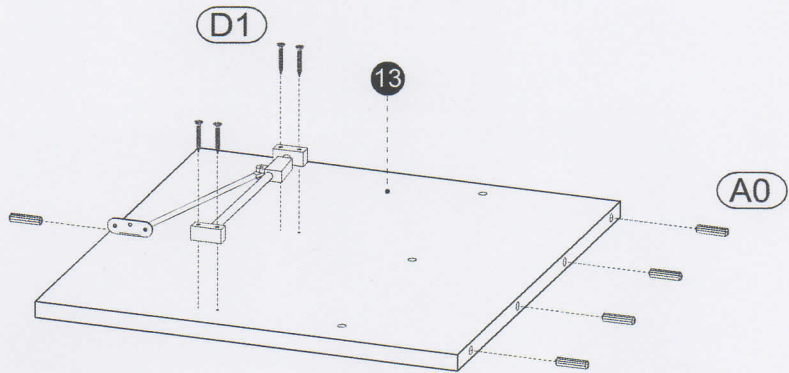
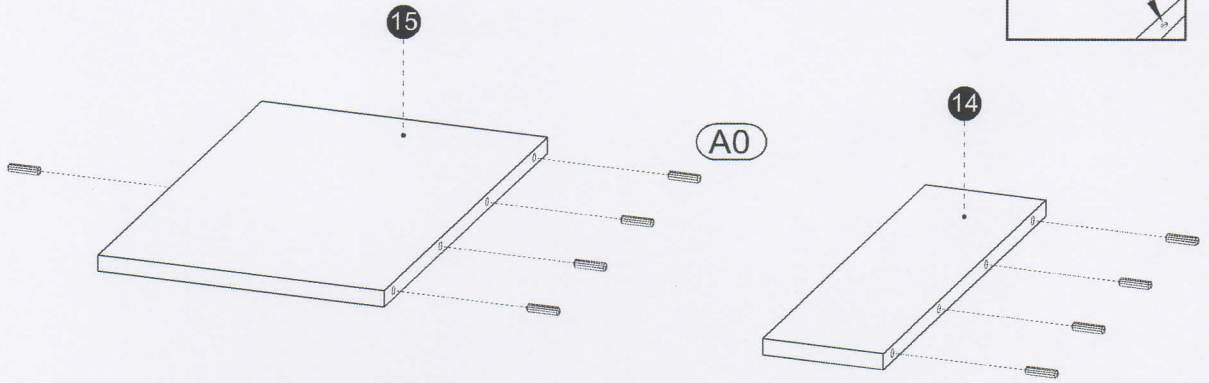
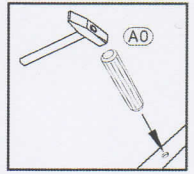




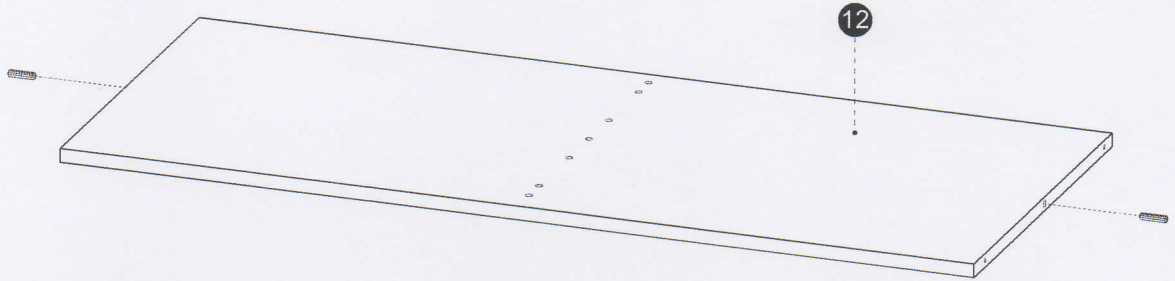
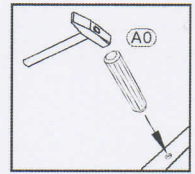
5 ▶



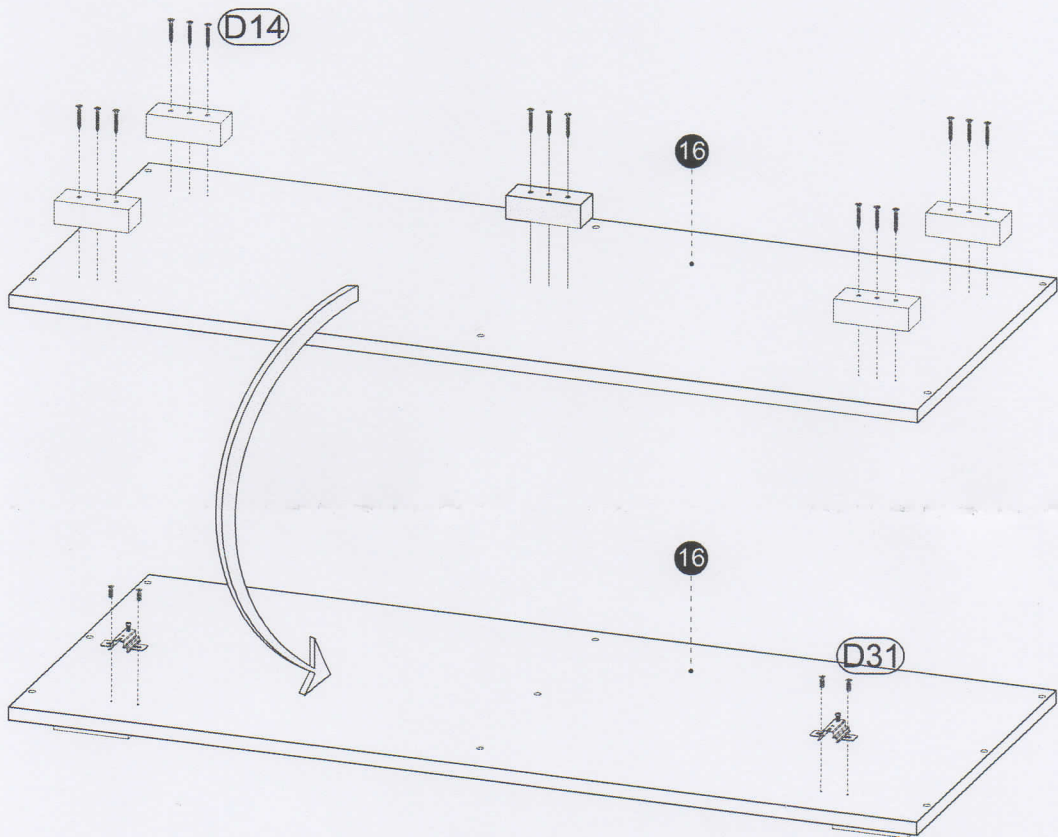
6 ▶



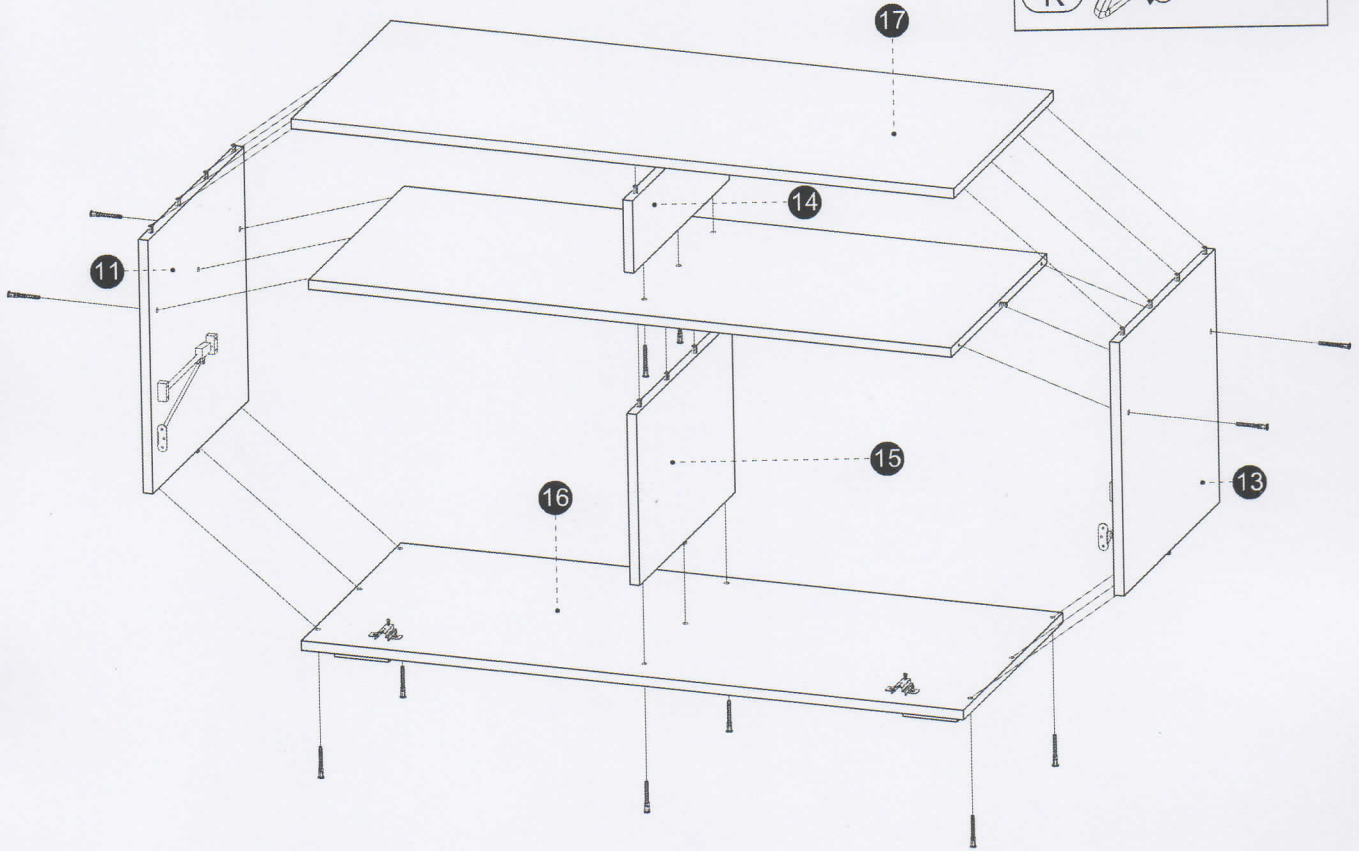
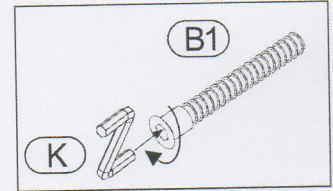
7 ▶



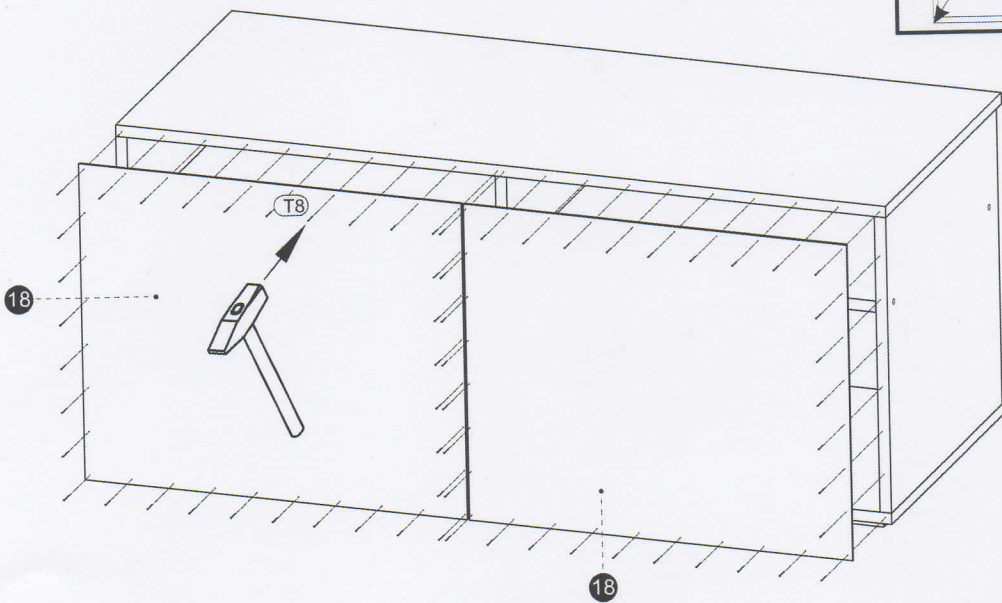
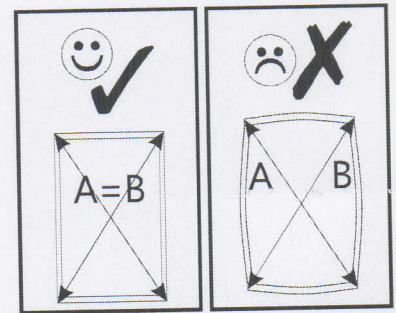
8 ▶



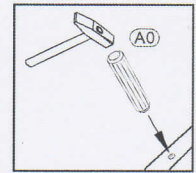
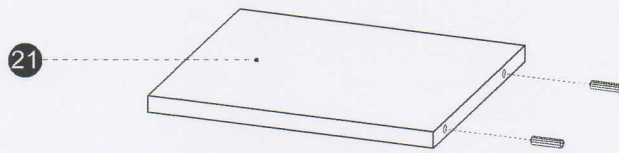
9 ▶



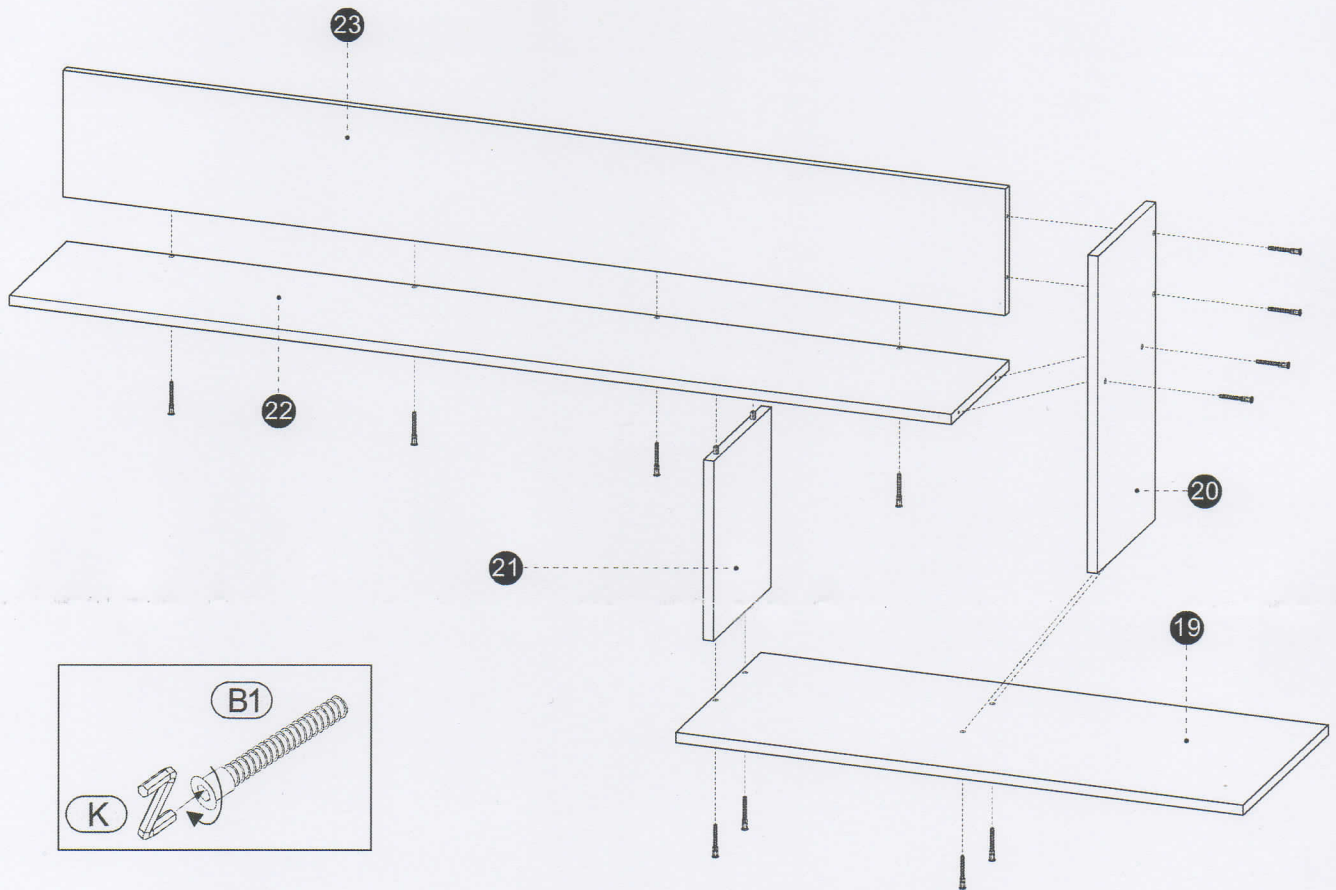
10 ▶



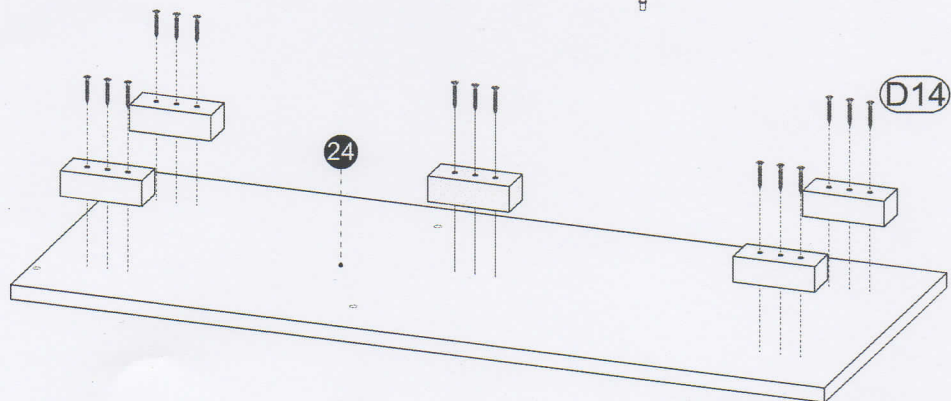
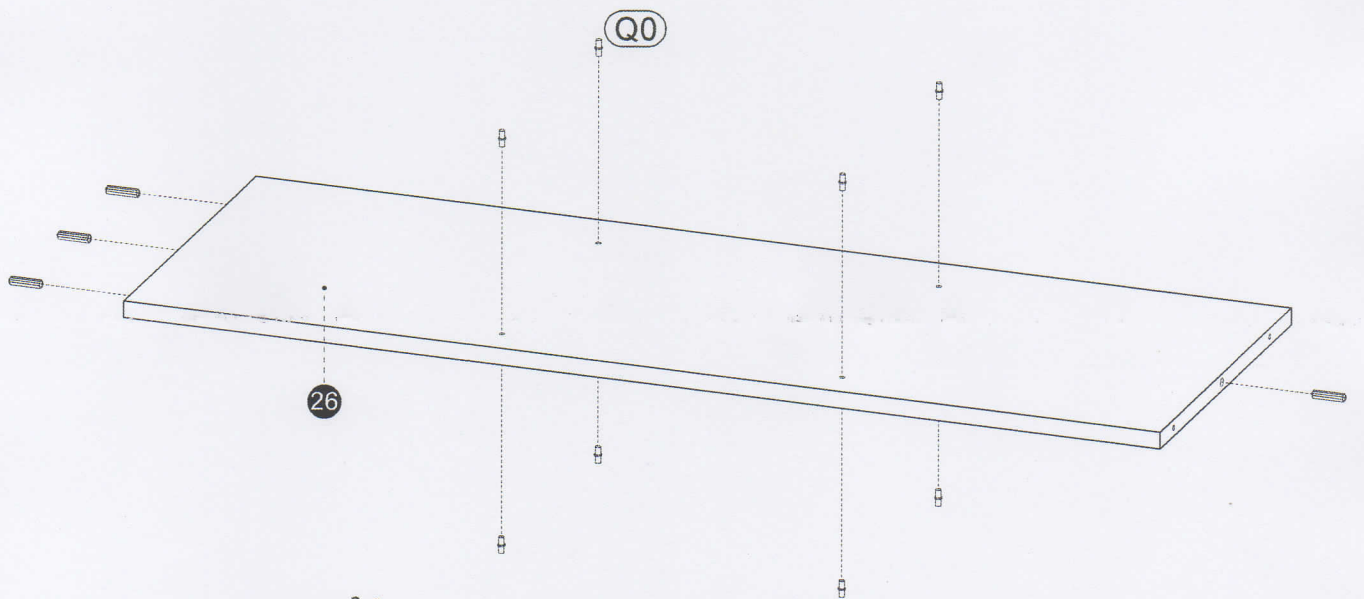
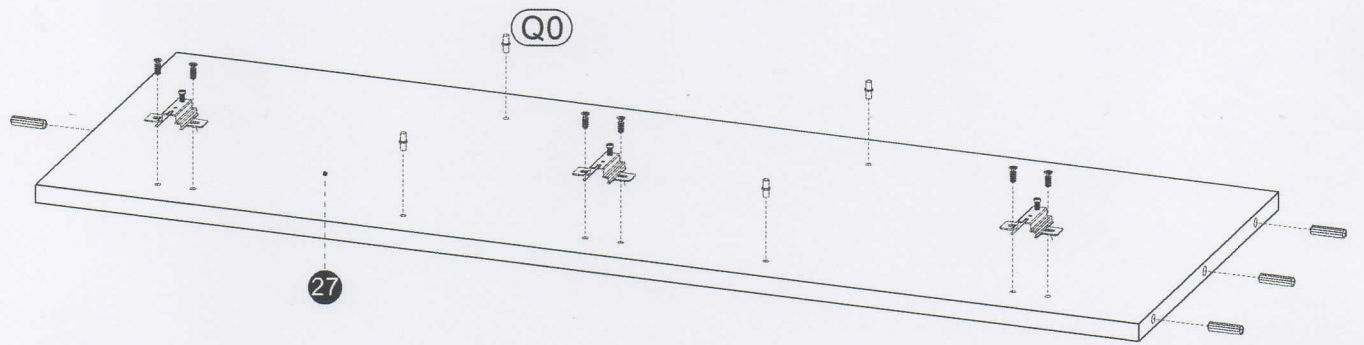
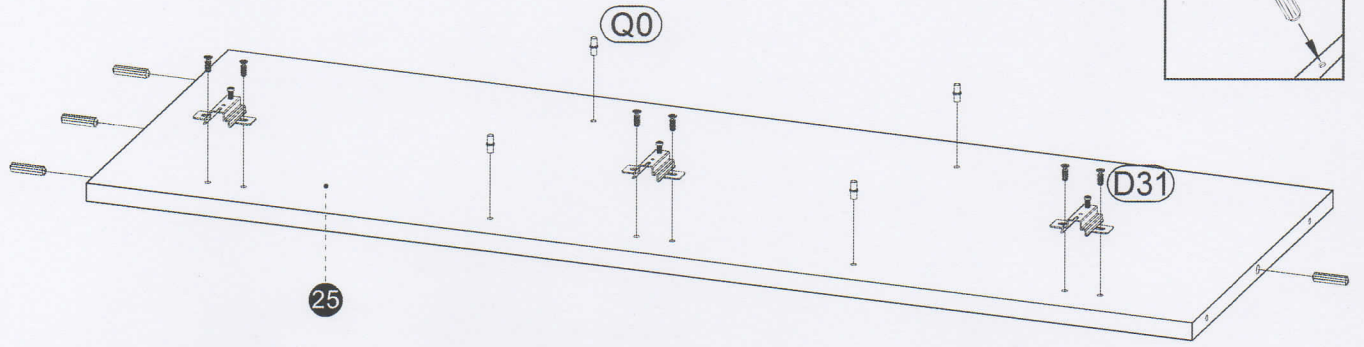
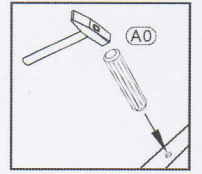
11 ▶

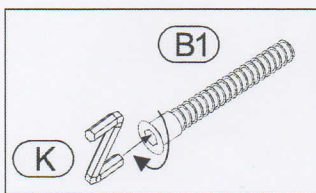


12 ▶

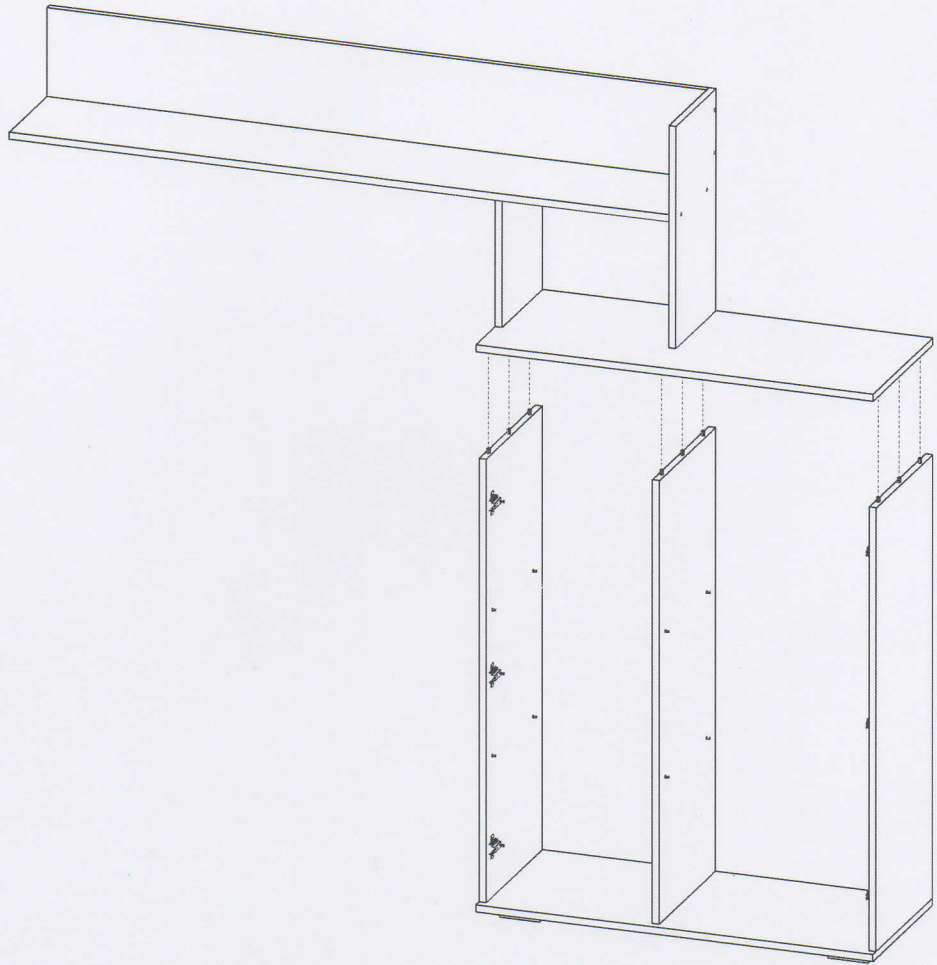


13 ▶

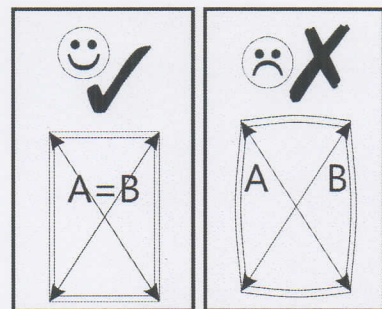
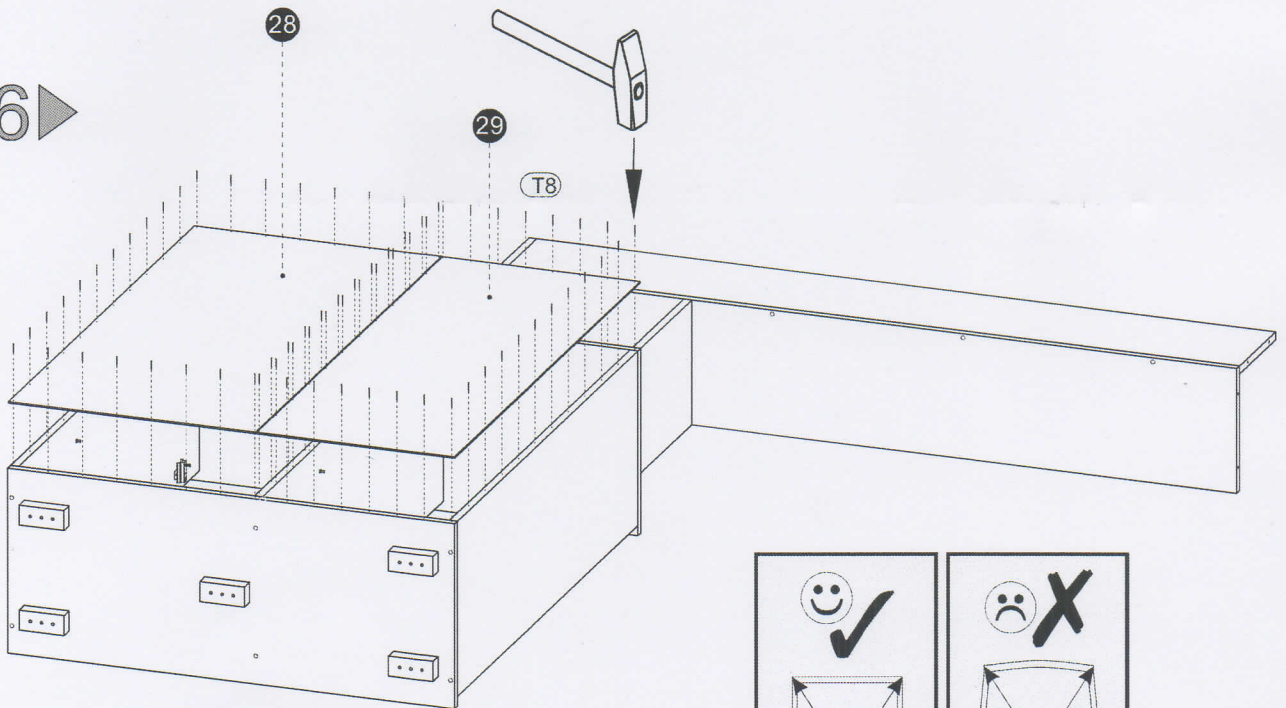




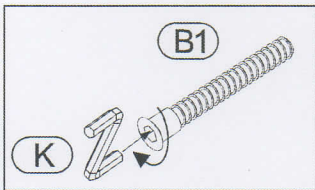
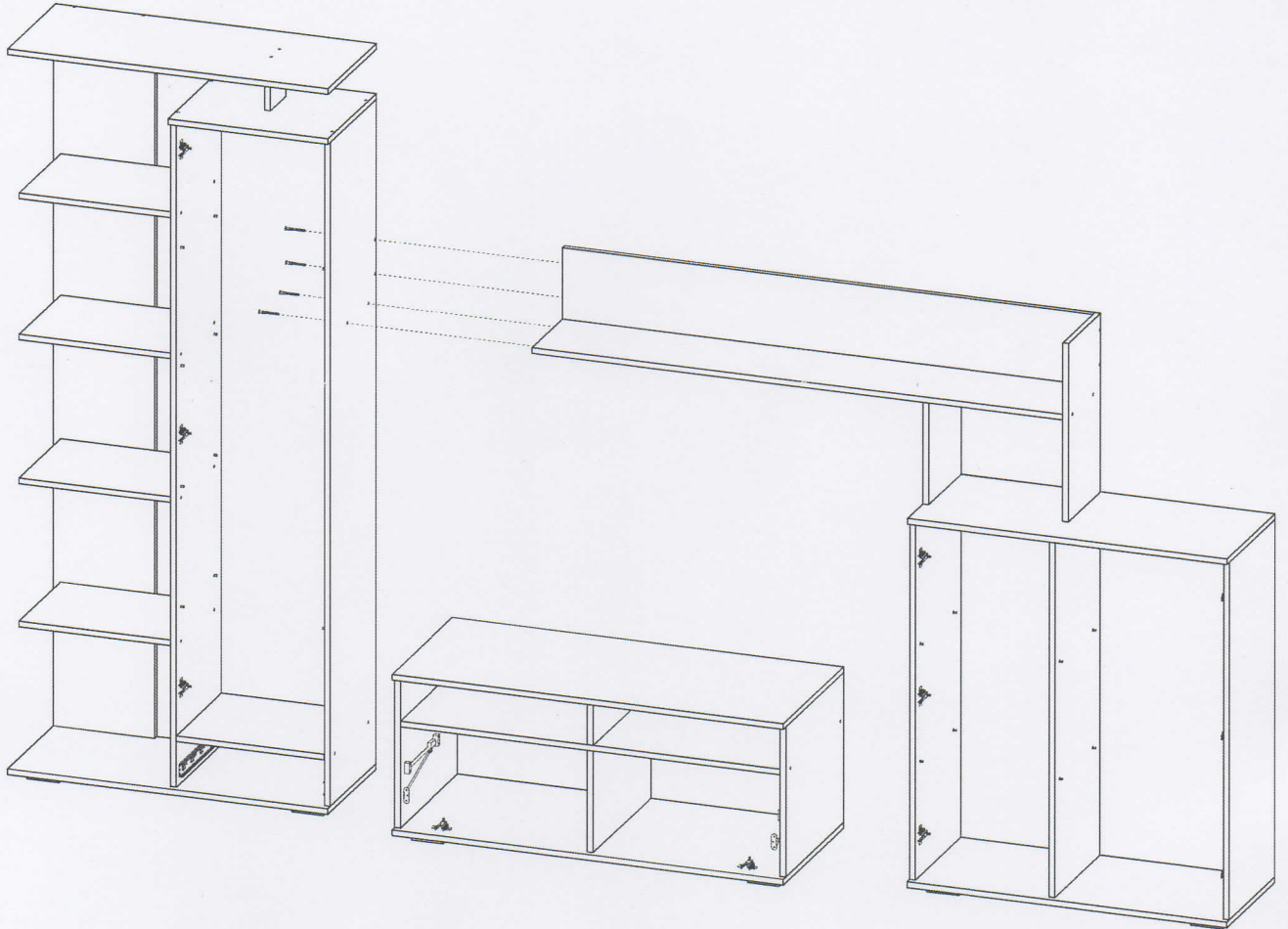
15 ▶



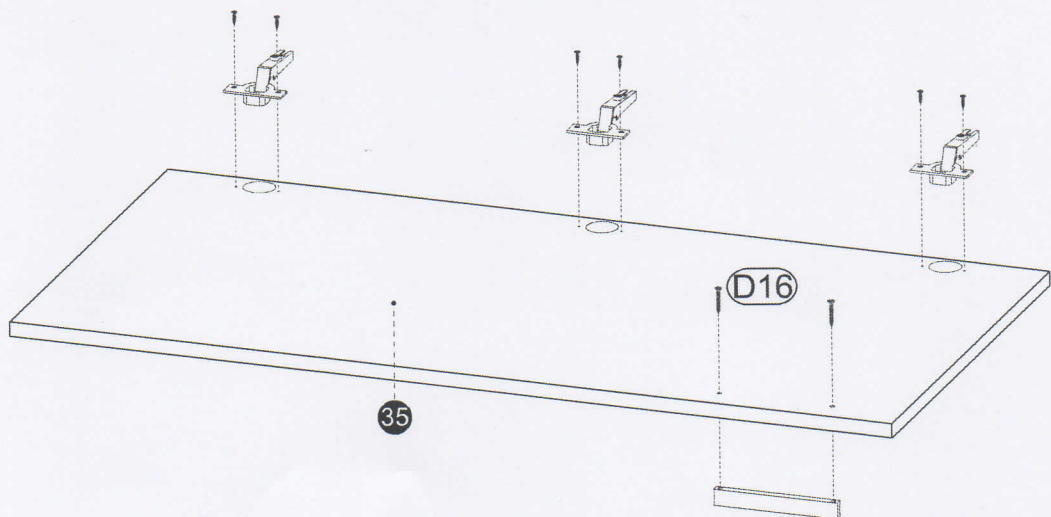
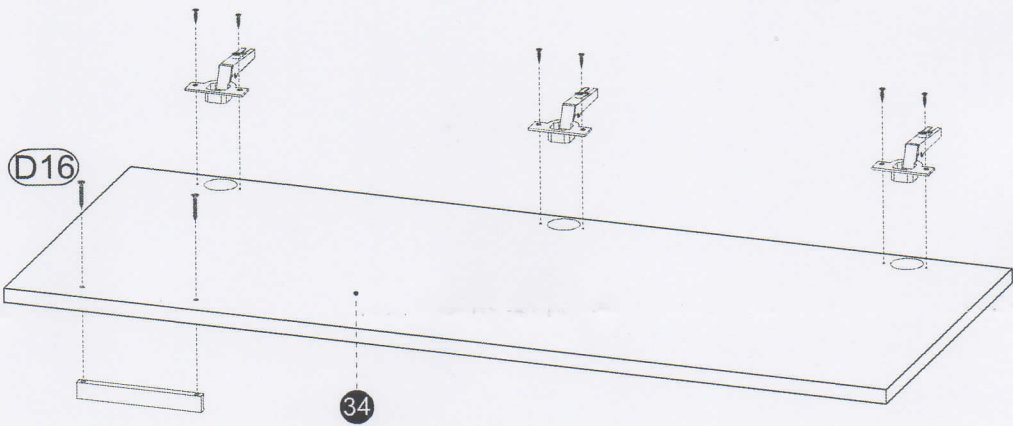
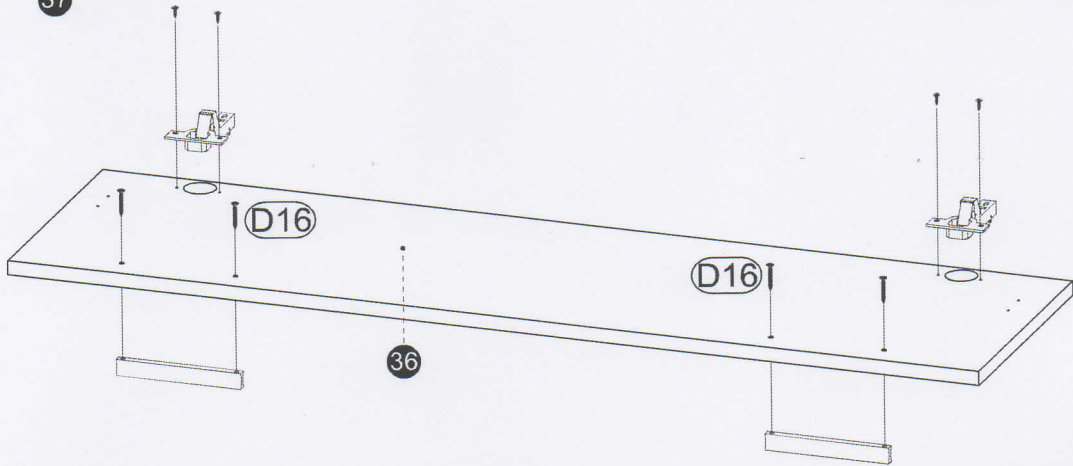
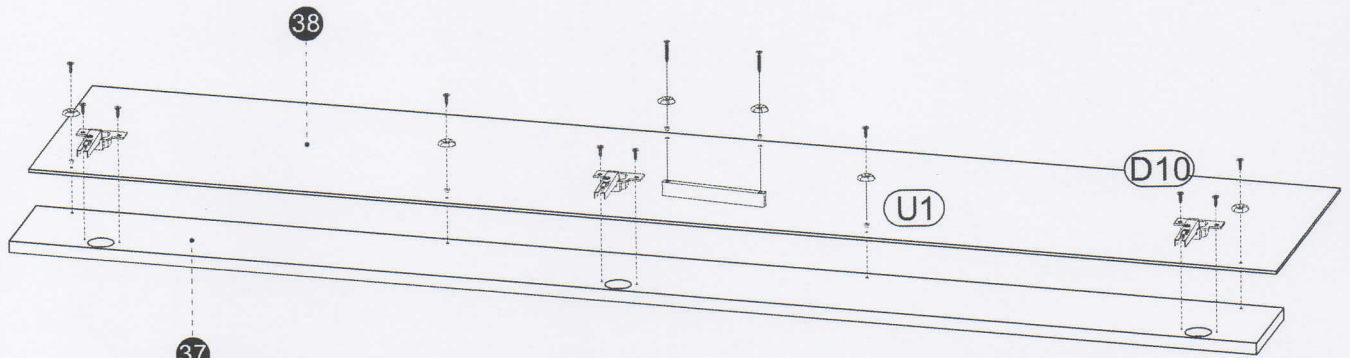
16 ▶

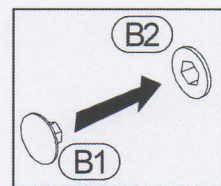
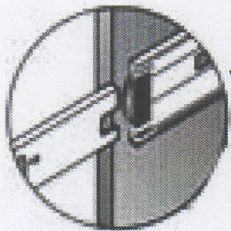
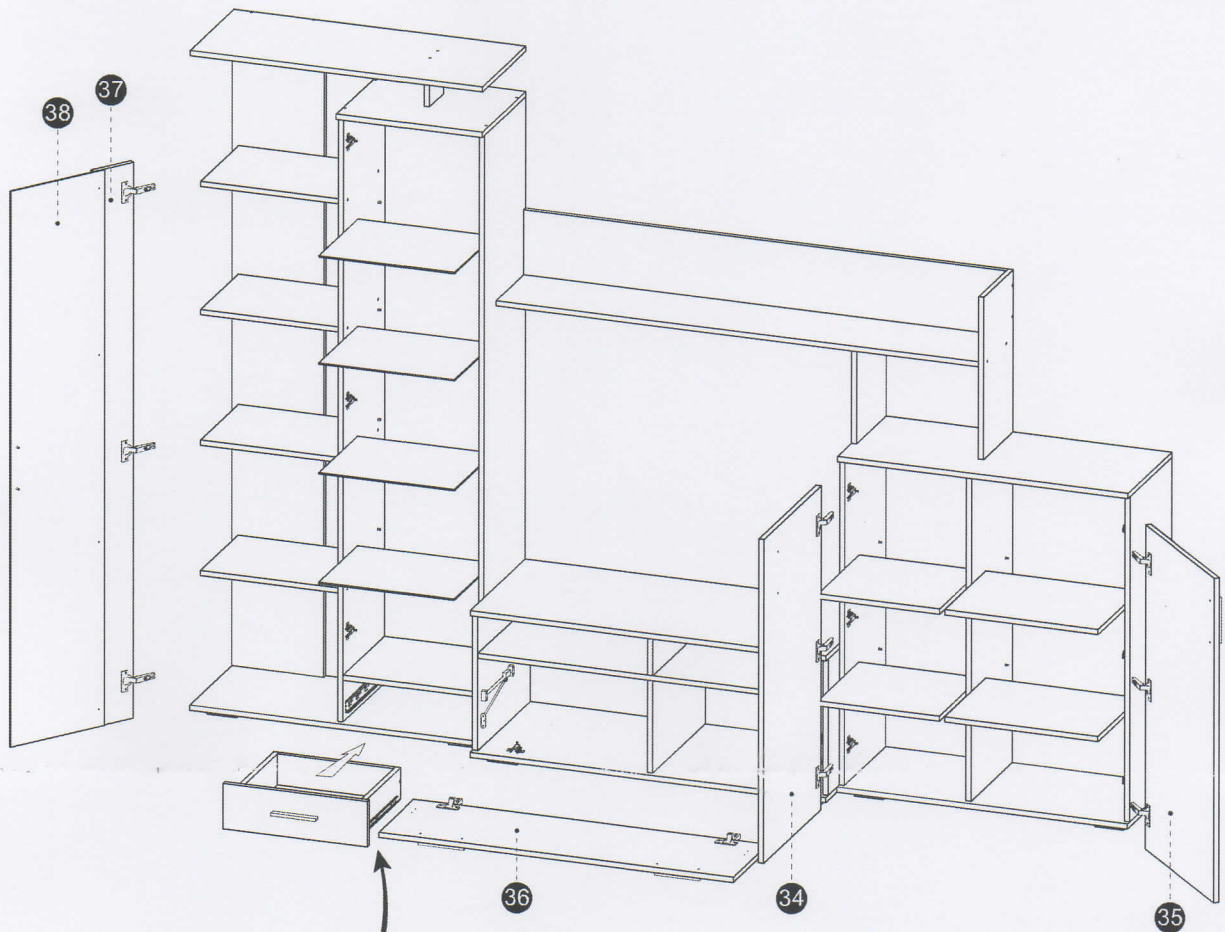
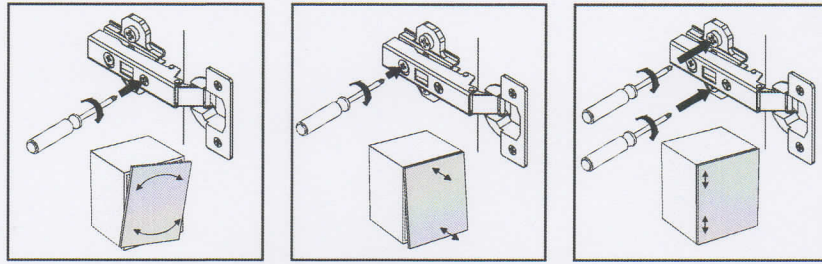


17▶



18 ▶





20 ▶

