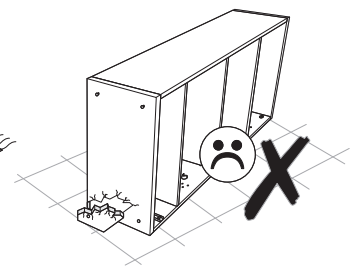
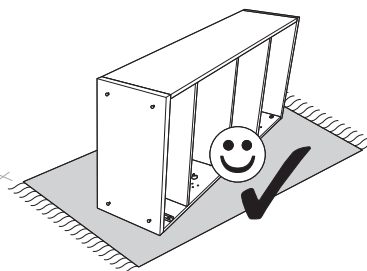
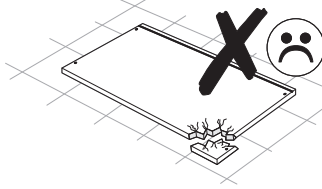
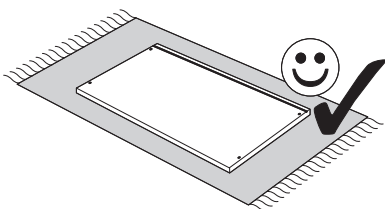
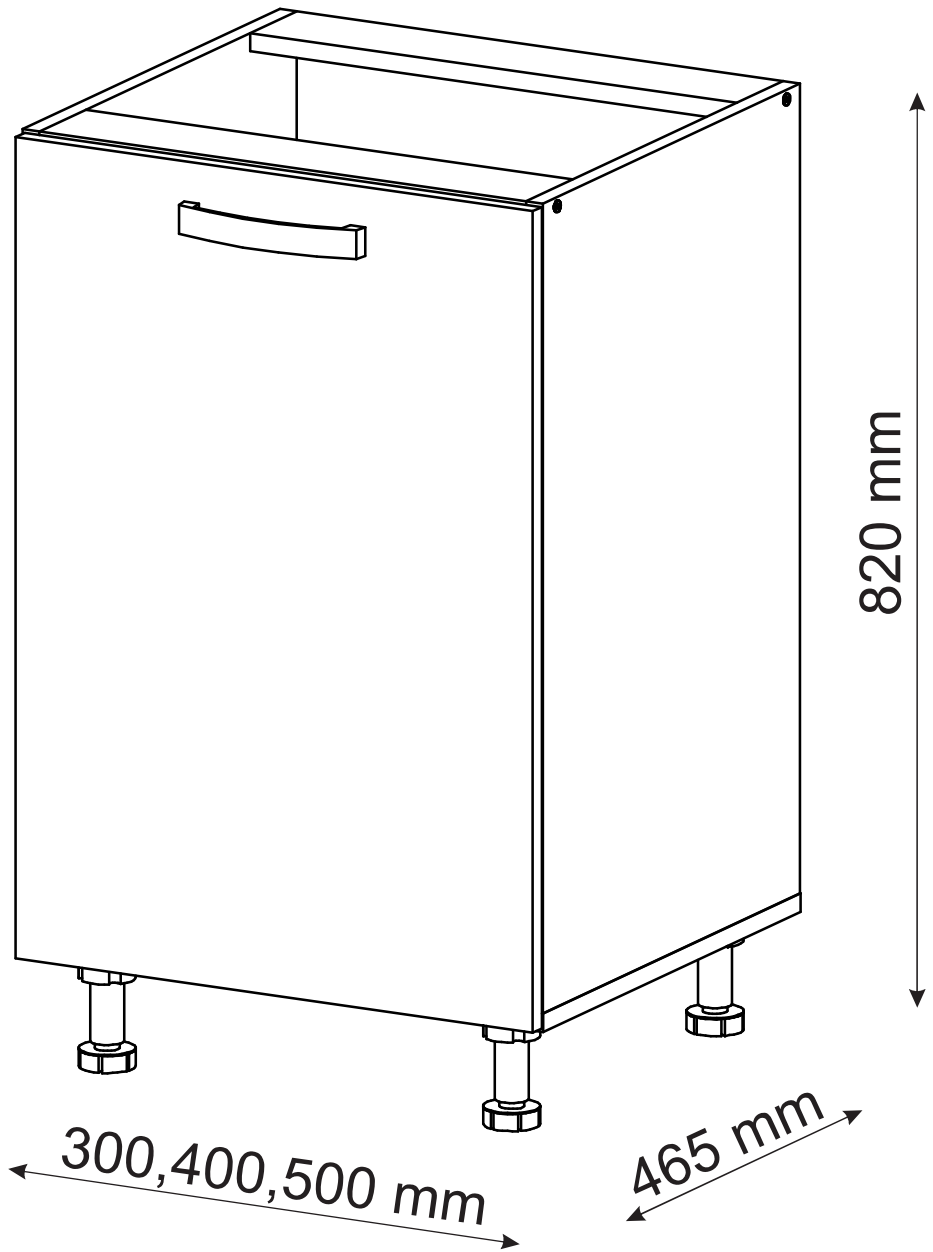
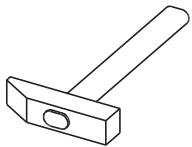
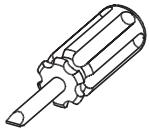
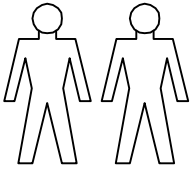
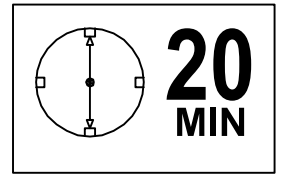




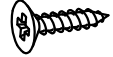
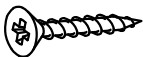


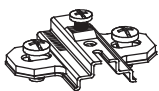
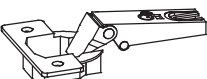
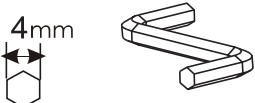

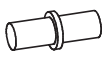

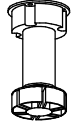
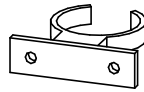


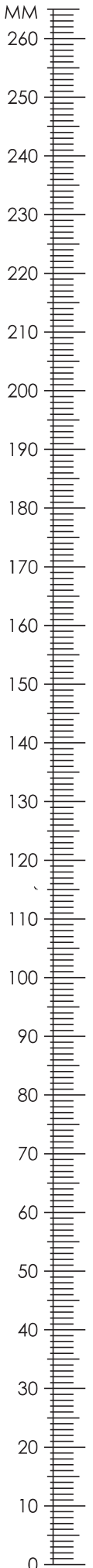
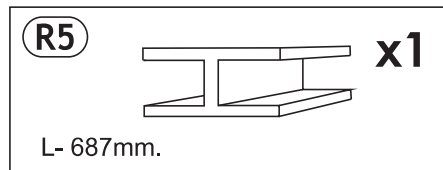
CHARLOTTE 30 LC , 40 LC , 50 LC



CHARLOTTE 30 LC , 40 LC , 50 LC

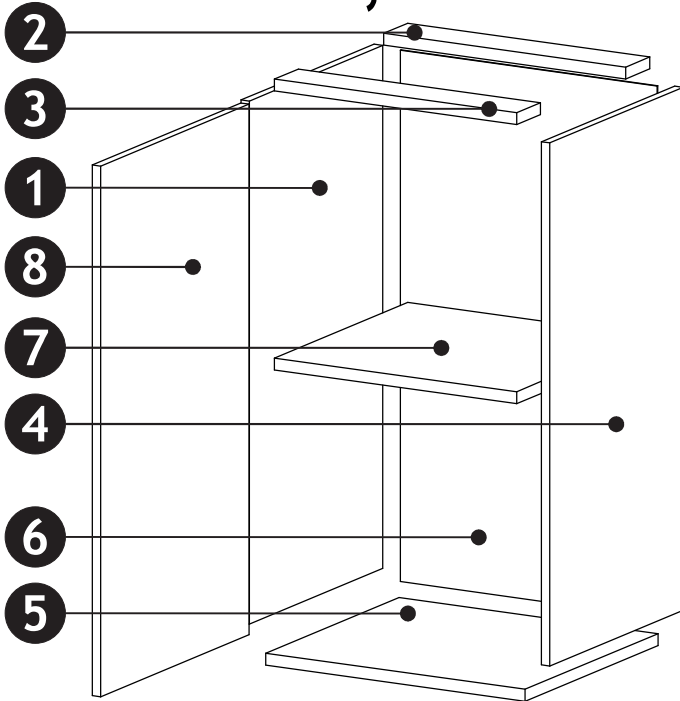
A0 8 x 32mm x4 	B1 f 7 x 50 mm x10 	B0 x2 
D2 3 x 30 mm x4 	D10 4 x 16 mm x24 	D14 4 x 35 mm x2 
H0 x2 	H2 4 x 22 mm x2 	J6 x2 
J8 x2 	K x1 	L22 x1 
Q0 x4 	T8 x40 	T14 x4 
T15 x2 		

50 LC



CHARLOTTE 30 LC , 40 LC , 50 LC

30 LC, 40 LC



300

1	704	445	16	x1	1/1
2	267	80	16	x1	1/1
3	267	80	16	x1	1/1
4	704	445	16	x1	1/1
5	300	445	16	x1	1/1
6	715	295	2,5	x1	1/1
7	266	440	16	x1	1/1
					1/1

8	297	714	16	x1	1/1
---	-----	-----	----	----	-----

400

1	704	445	16	x1	1/1
2	367	80	16	x1	1/1
3	367	80	16	x1	1/1
4	704	445	16	x1	1/1
5	400	445	16	x1	1/1
6	715	395	2,5	x1	1/1
7	366	440	16	x1	1/1
					1/1

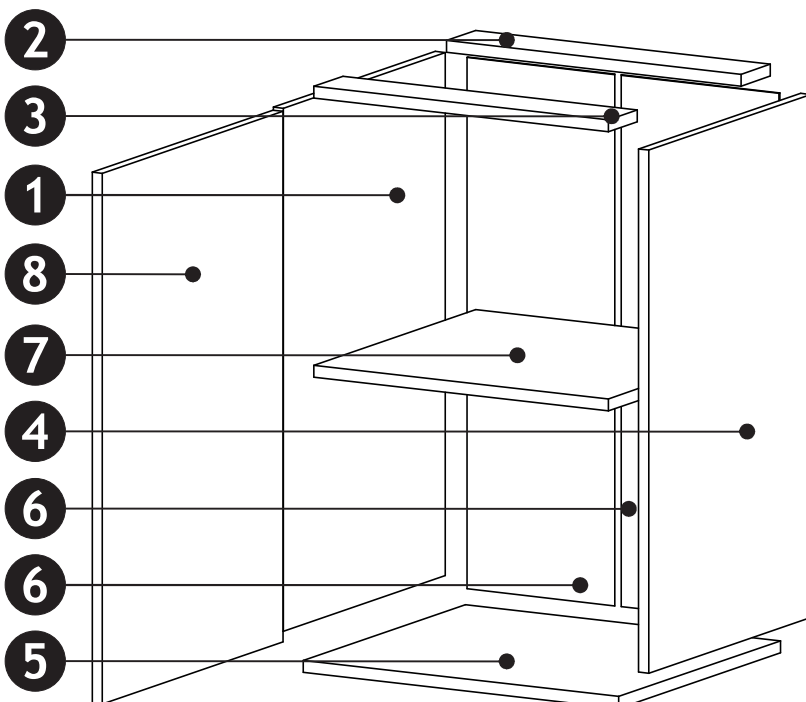
8	397	714	16	x1	1/1
---	-----	-----	----	----	-----

500

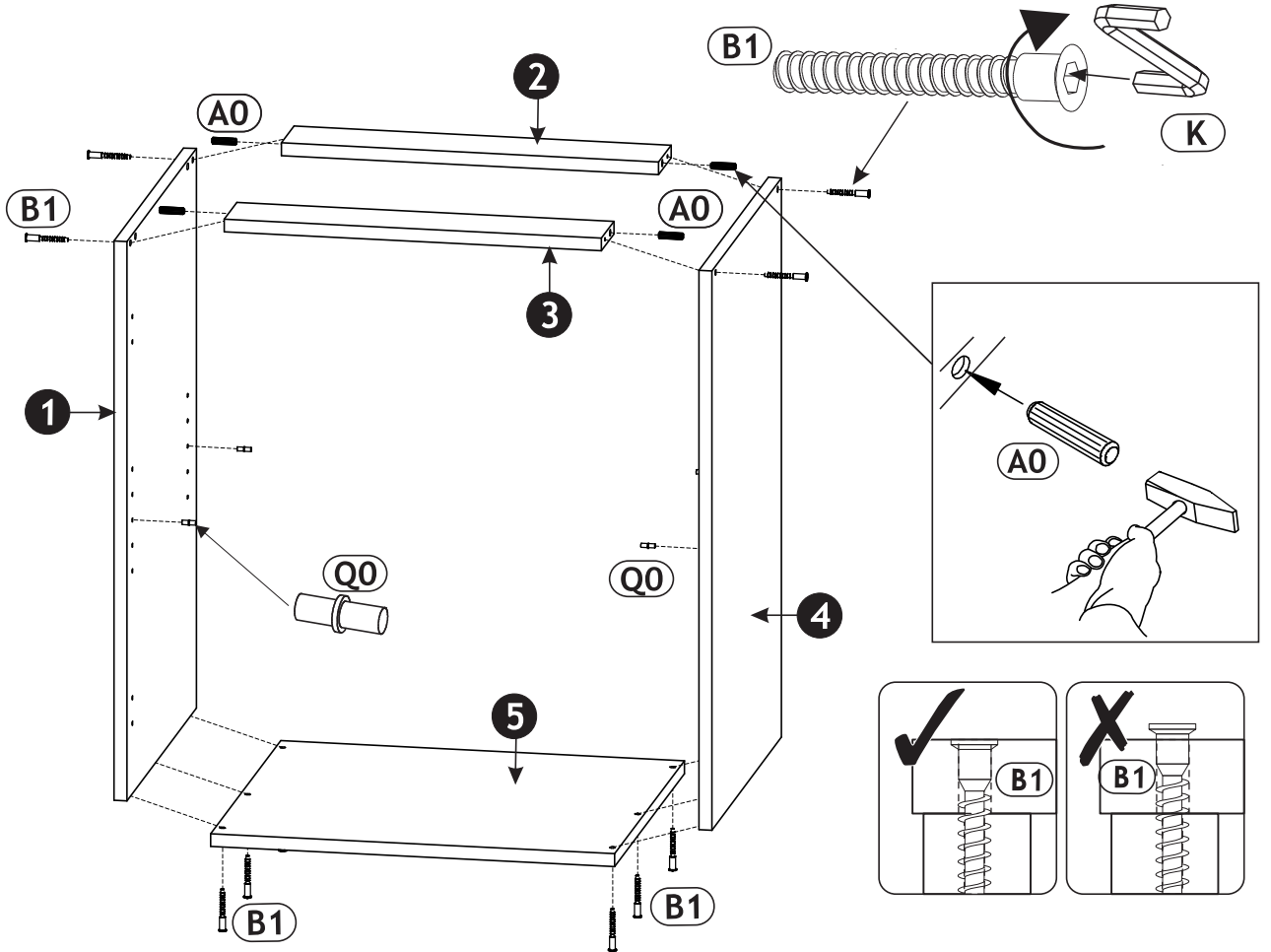
1	704	445	16	x1	1/1
2	467	80	16	x1	1/1
3	467	80	16	x1	1/1
4	704	445	16	x1	1/1
5	500	445	16	x1	1/1
6	715	247	2,5	x2	1/1
7	466	440	16	x1	1/1
					1/1

8	497	714	16	x1	1/1
---	-----	-----	----	----	-----

50 LC

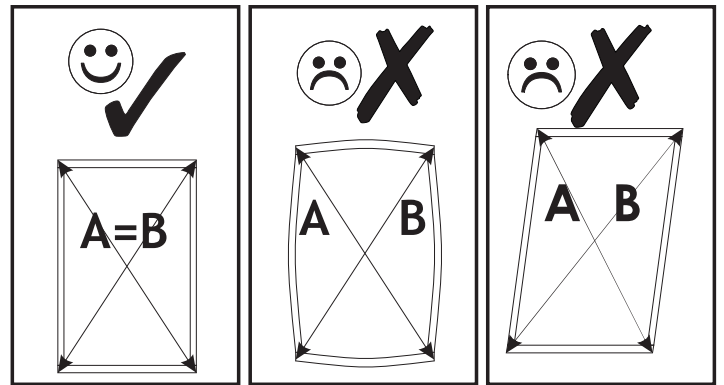
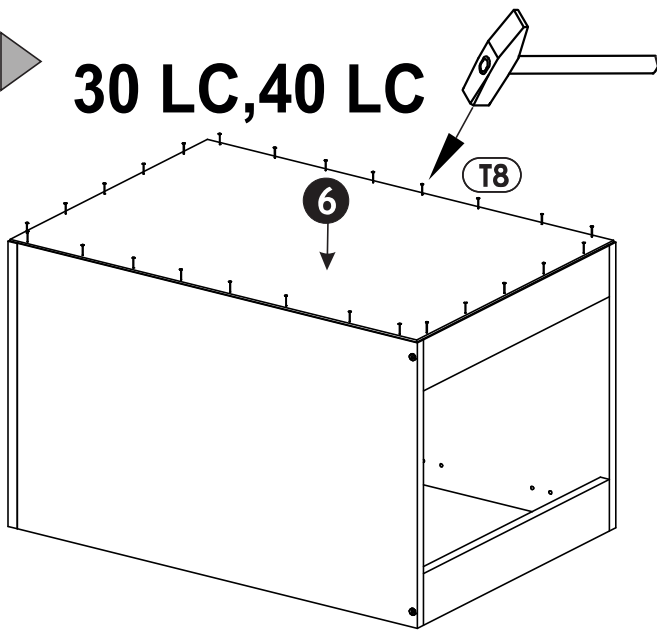


1 ▶

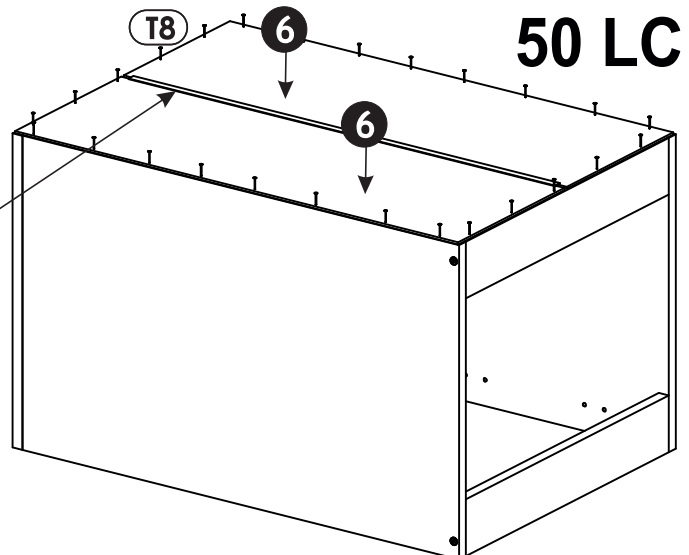


2 ▶

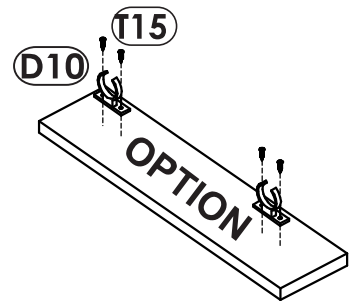
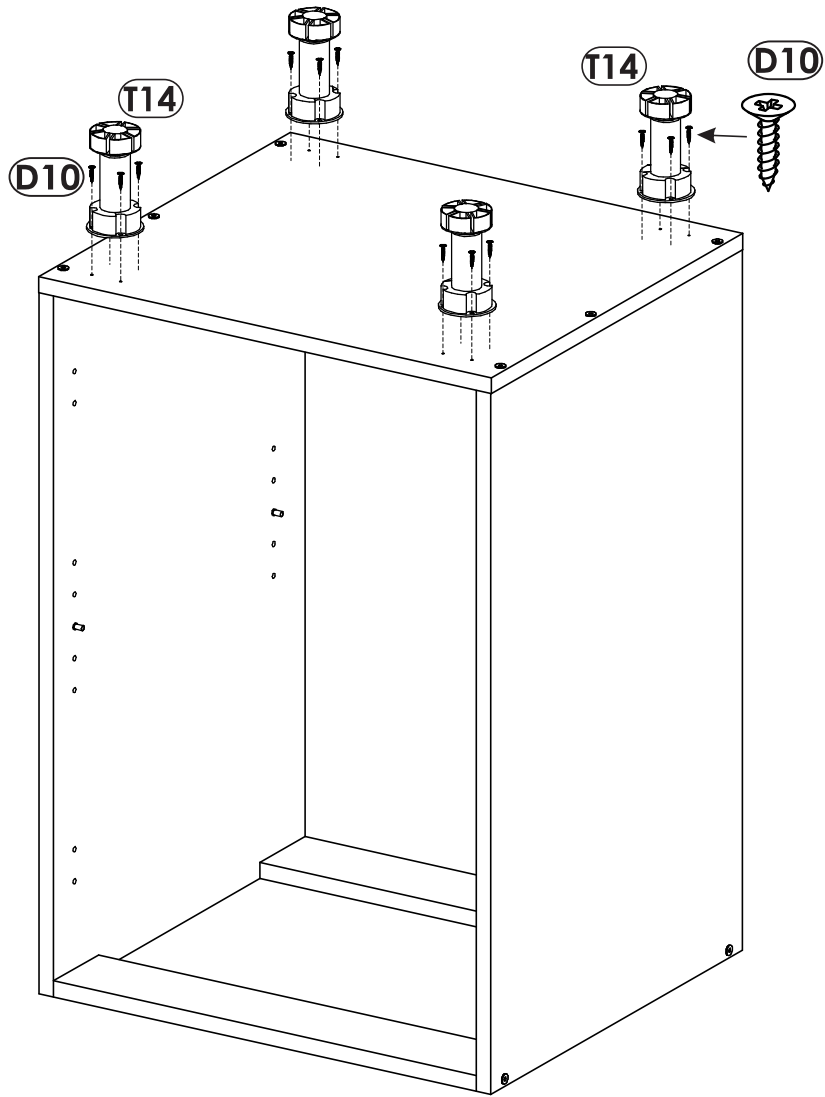
30 LC, 40 LC



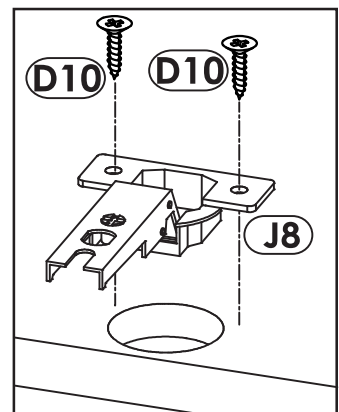
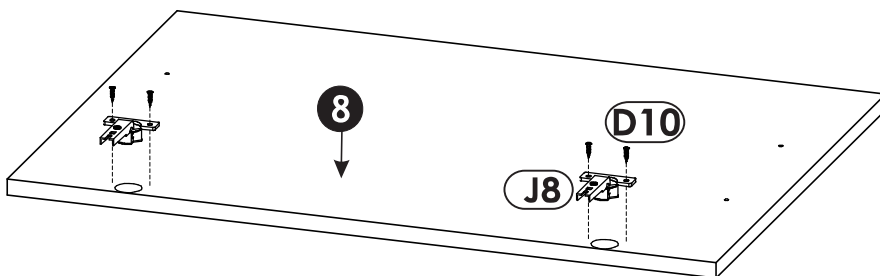
50 LC



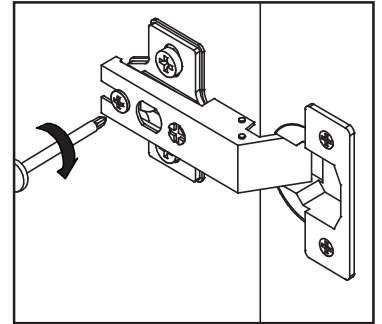
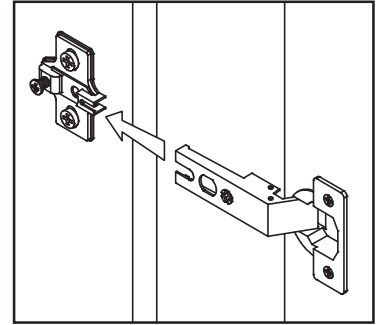
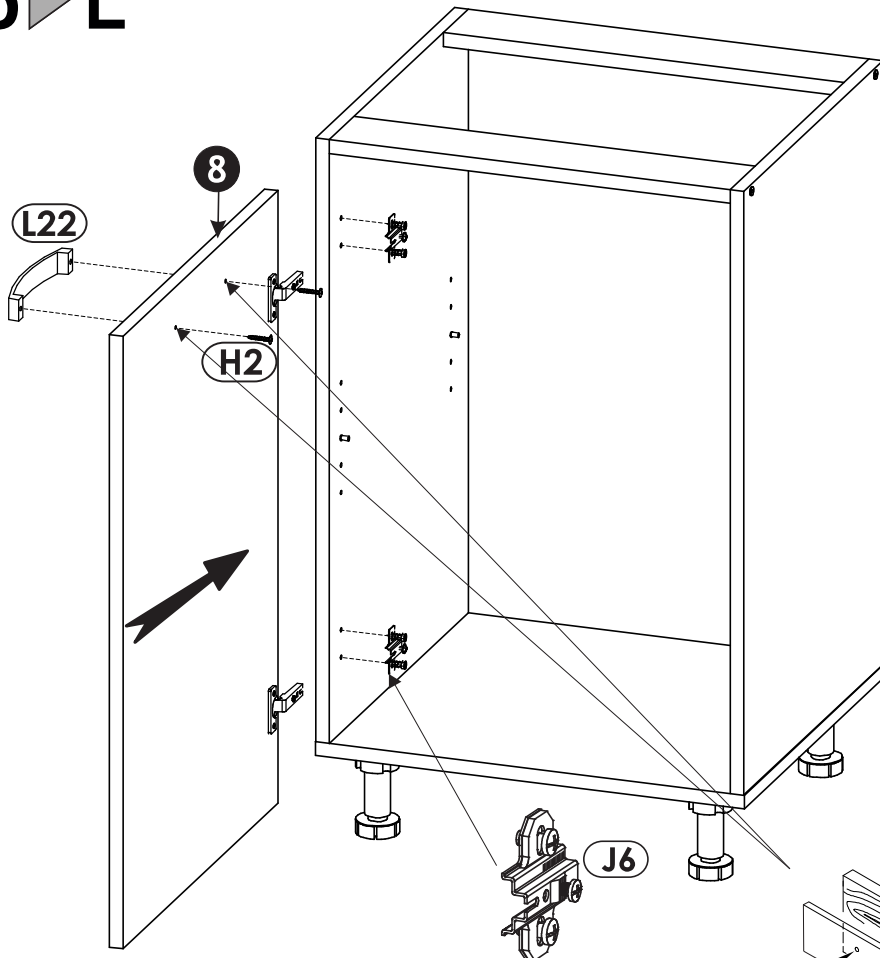
3 ▶



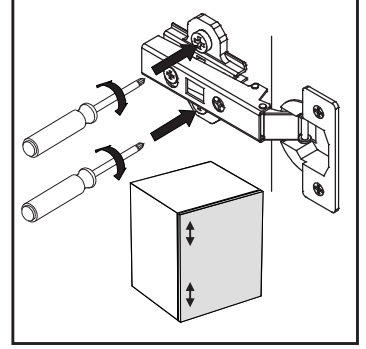
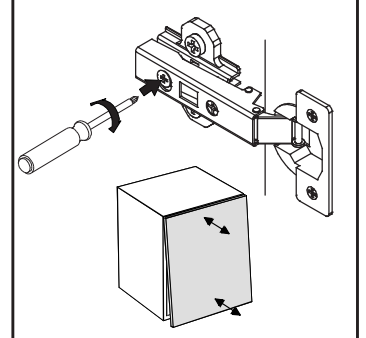
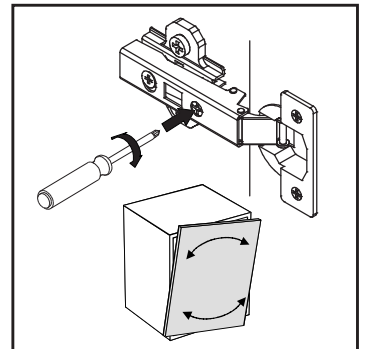
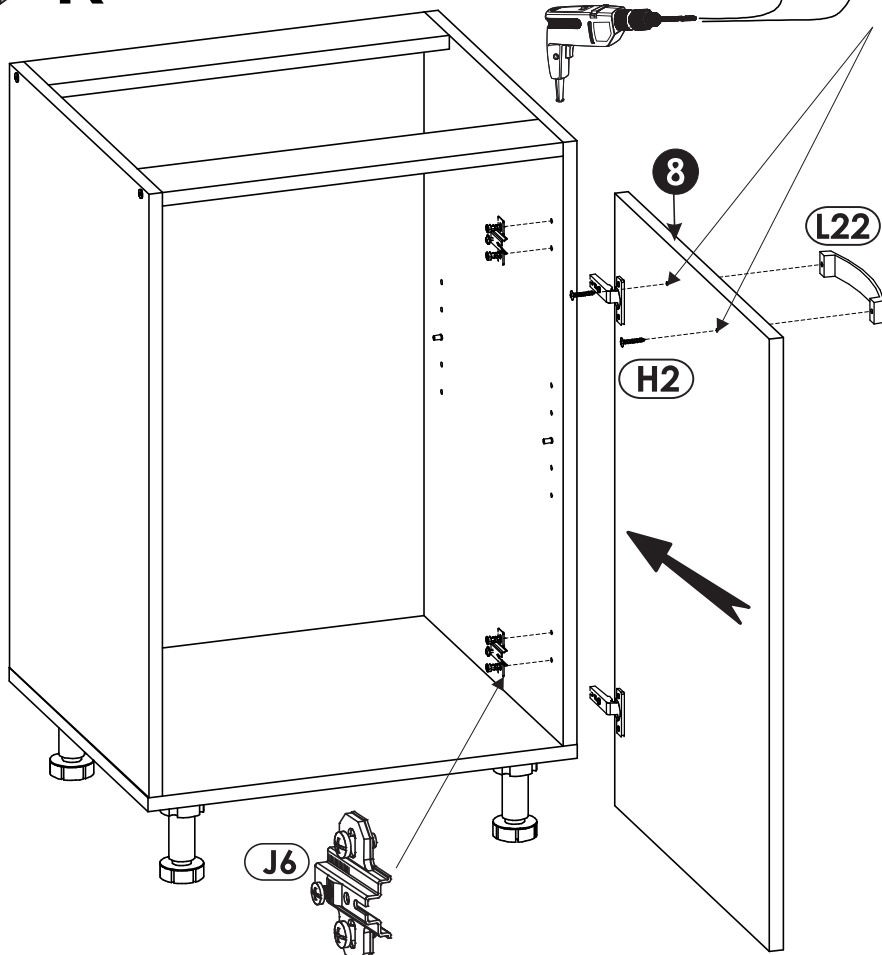
4 ▶



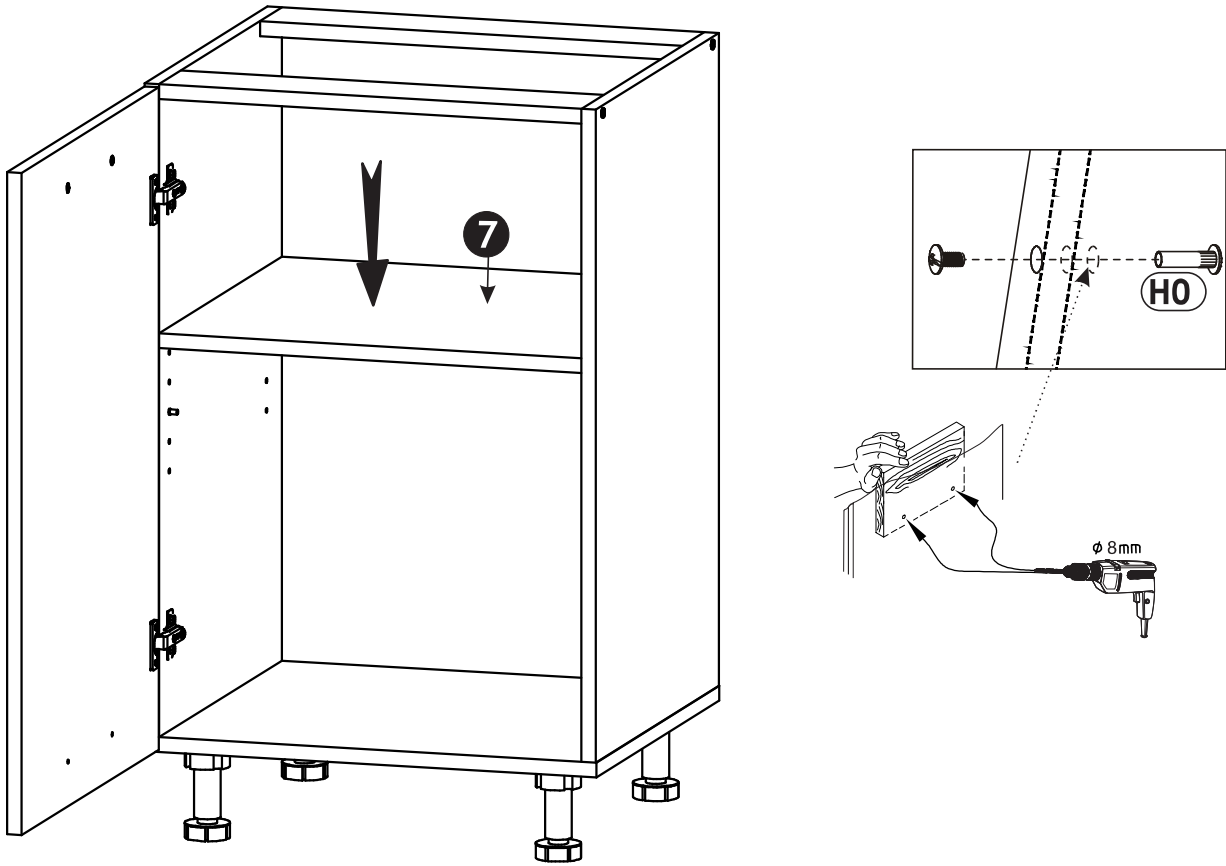
5 ▶ L



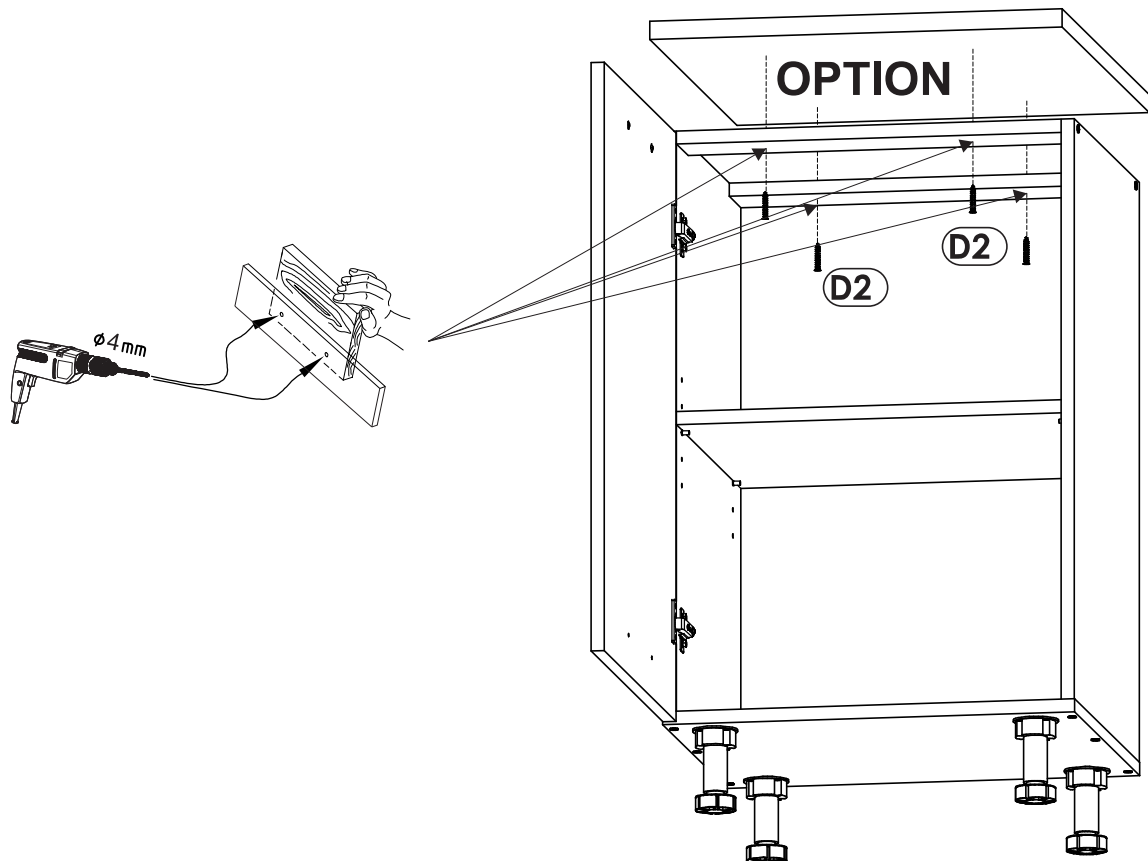
5 ▶ R



6 ▶



7 ▶



8 ▶

