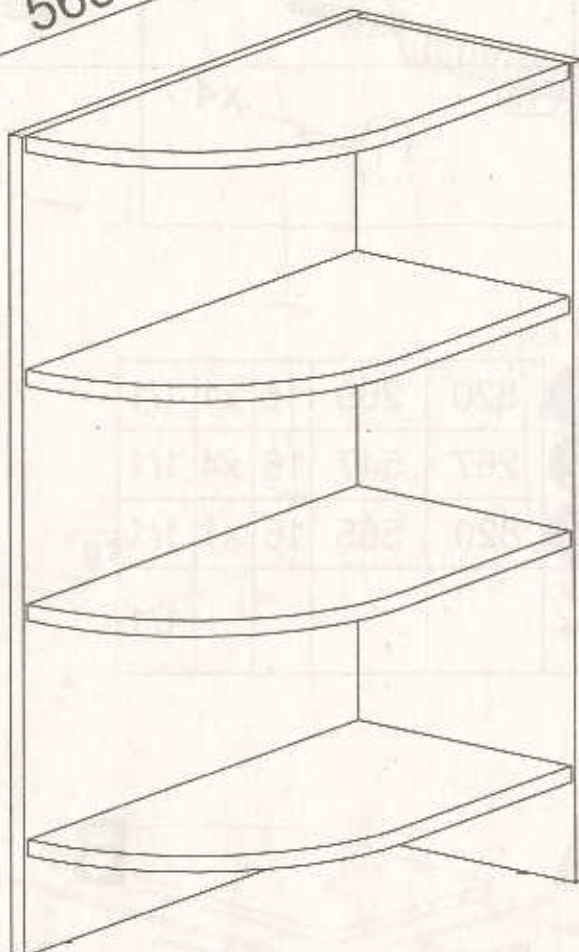
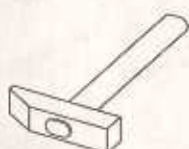


CHARLOTTE 30 LECC

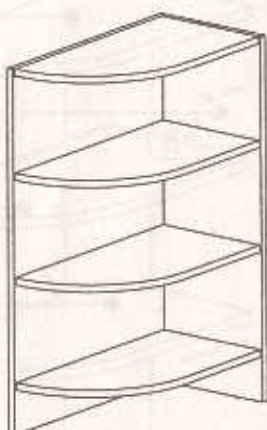


565 mm
285 mm

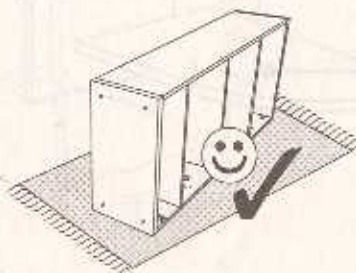
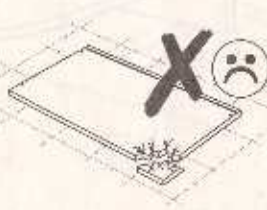
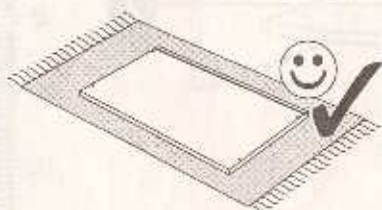
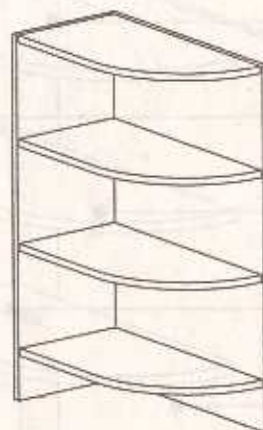


820 mm

A

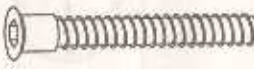

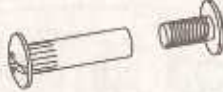

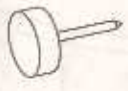



B



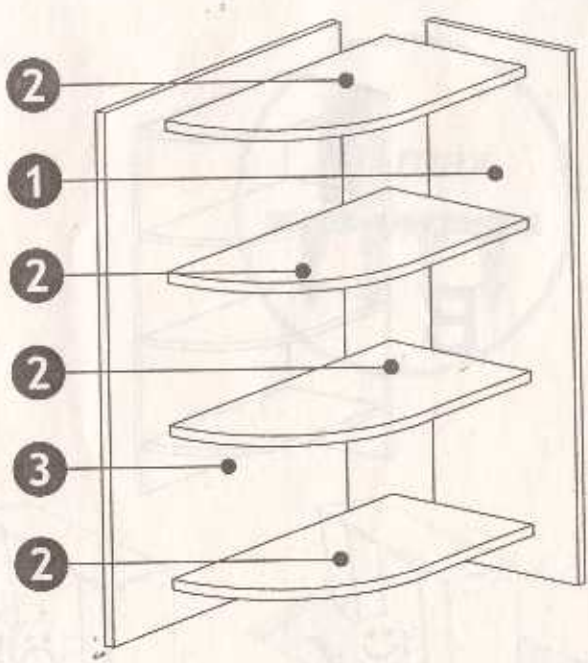
CHARLOTTE 30 LECC



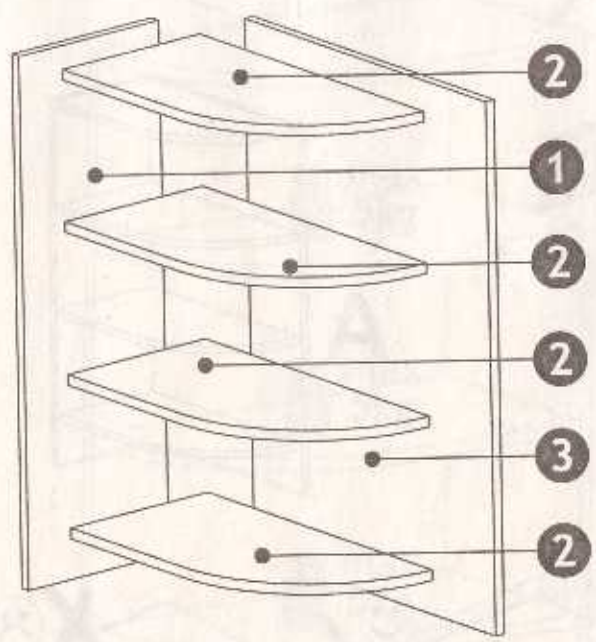
(B1) $\varnothing 7 \times 60 \text{ mm}$ x18 	(D2) $3 \times 30 \text{ mm}$ x4 	(H0) x2 
(K) x1 	(T3) x4 	

1	820	269	16	x1	1/1
2	267	547	16	x4	1/1
3	820	565	16	x1	1/1
					1/1

A

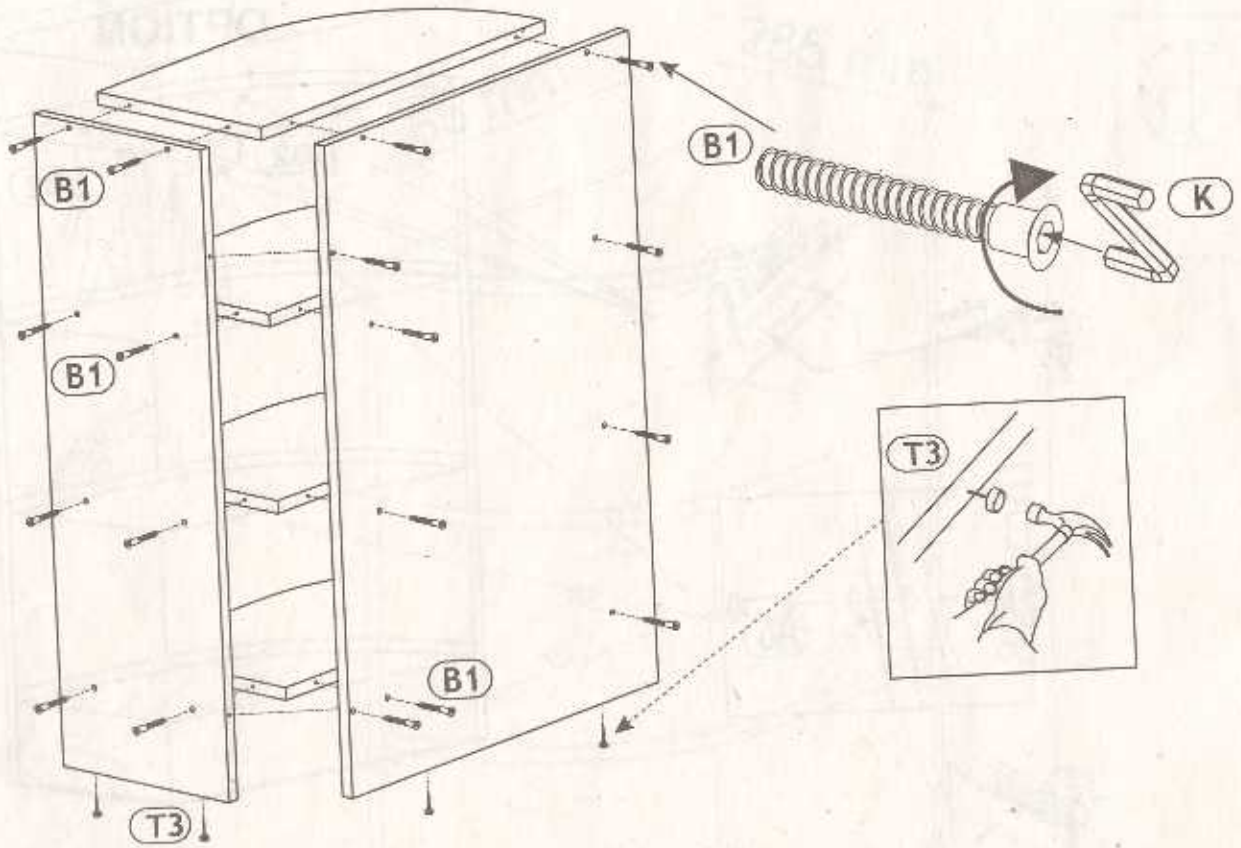


B

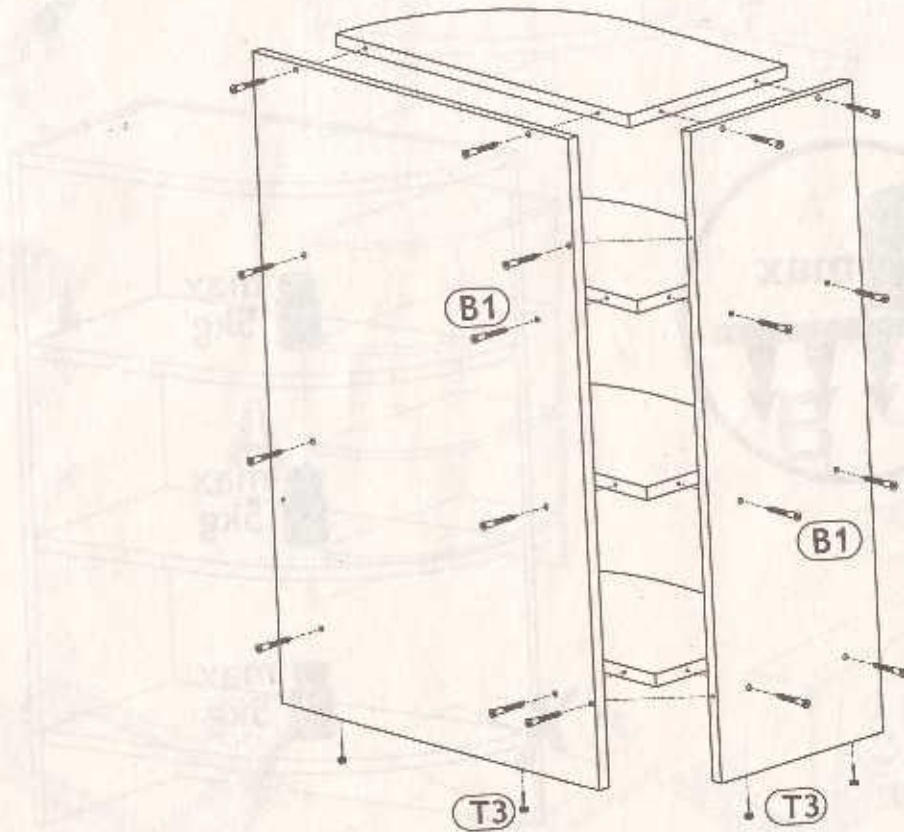


CHARLOTTE 30 LEGS

1 ▶ A



1 ▶ B



2 ▶

E

C

