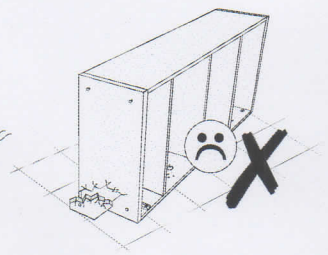
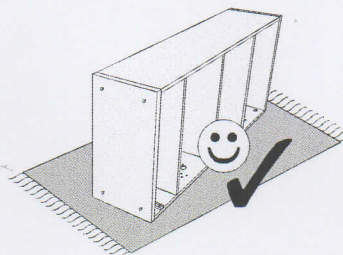
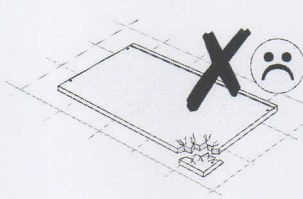
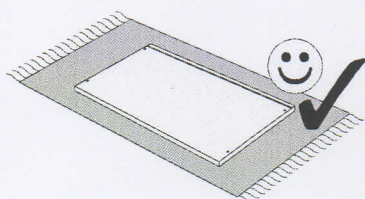
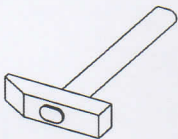
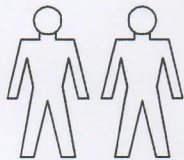
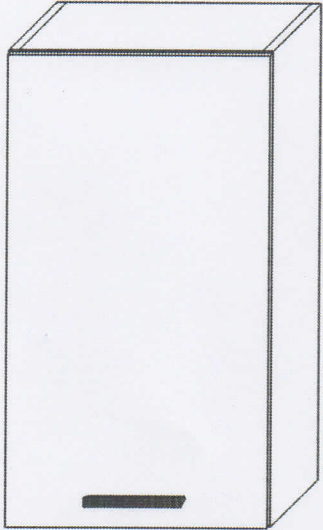


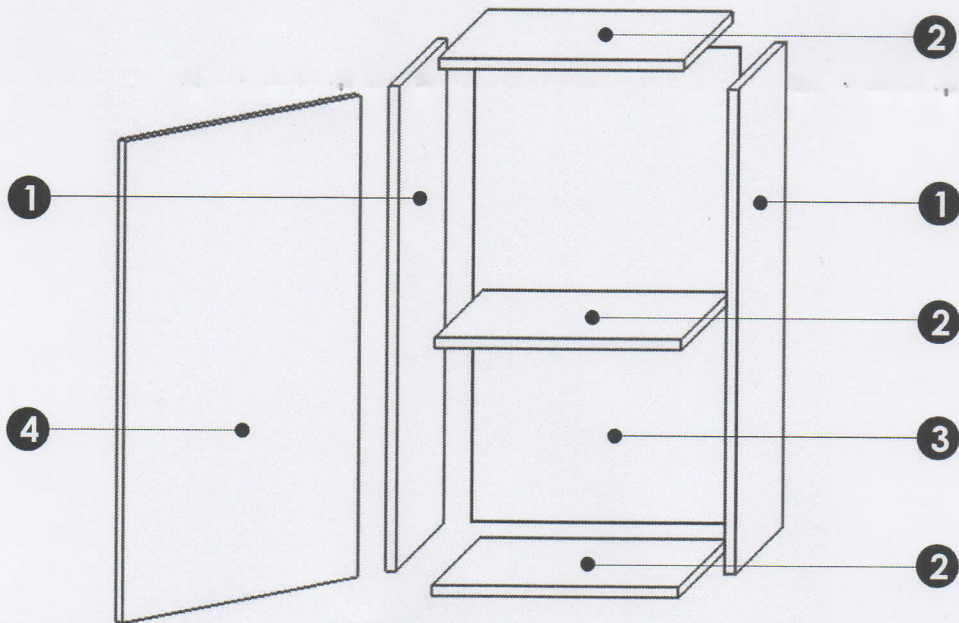
300,400,500 upper cabinet



300,400,500 upper cabinet








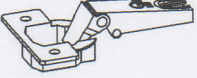



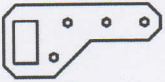


	300	400	500			
①	718x285	718x285	718x285	16	x2	1/1
②	267x285	367x285	467x285	16	x3	1/1
③	295x715	395x715	495x715	3	x1	1/1
④	296x713	396x713	496x713	16	x1	1/1
						1/1

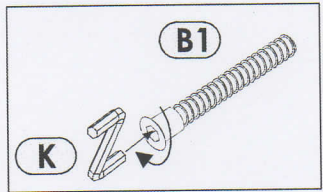
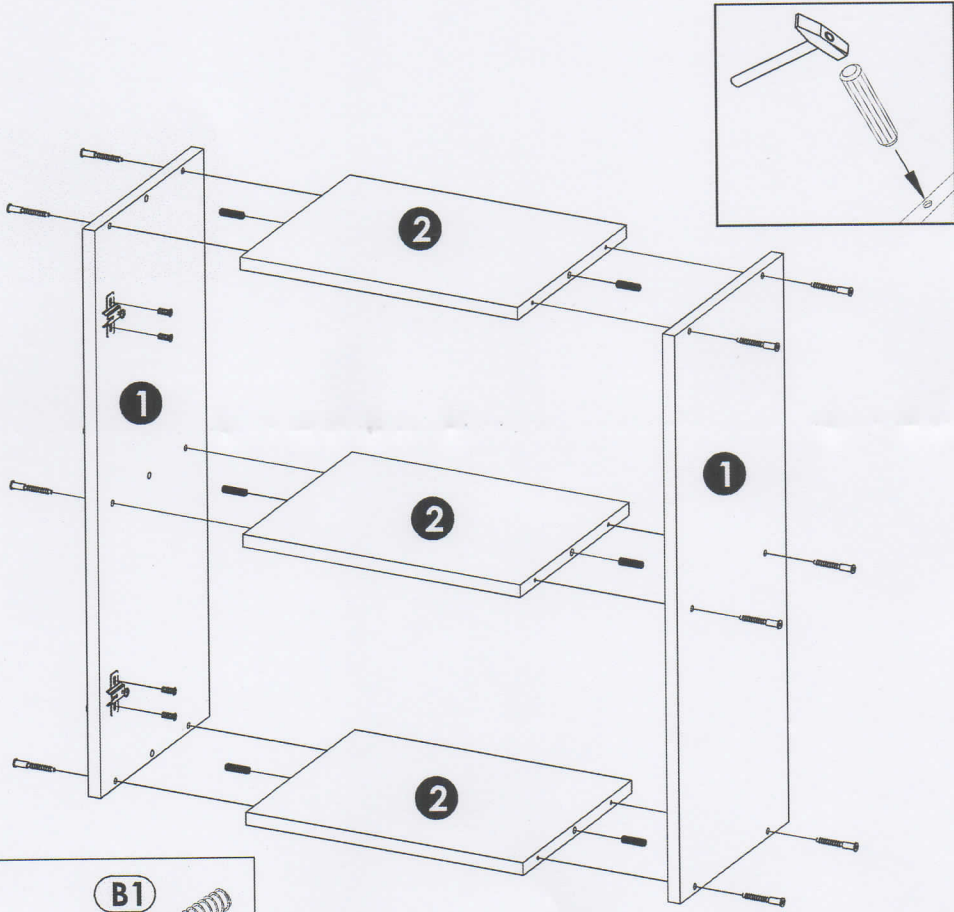


300,400,500 upper cabinet

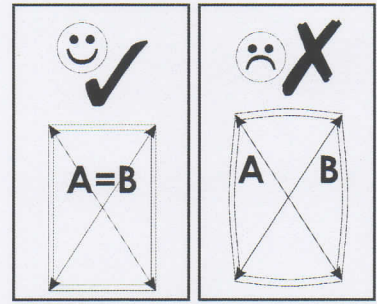
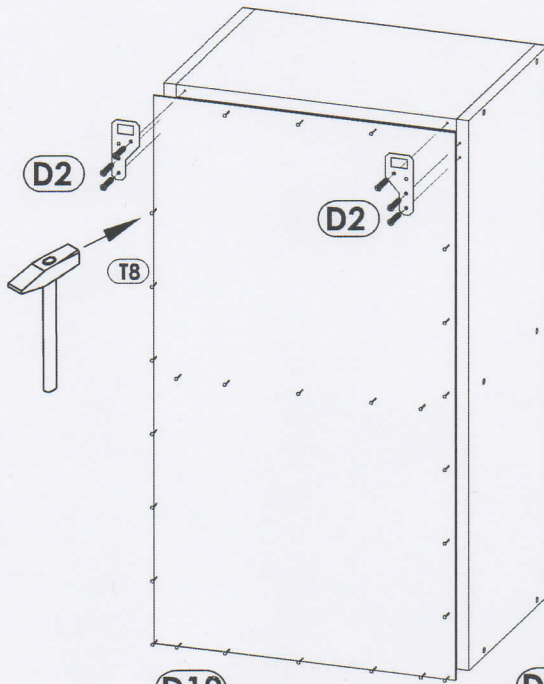


A0 8 x 32mm x6 	B1 f 7 x 50 mm x12 	B0  x6
D2 3 x 30 mm x6 	D10 4 x 16 mm x4 	D16 4.2 x 28 mm x2 
D31 6.3 x 13 mm x4 	I3 d 26mm x2 	I1  x2
T8  x40	 x1	 x2

1 ▶



2 ▶



3 ▶

