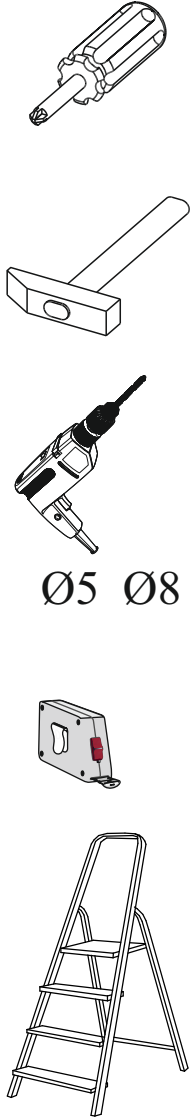
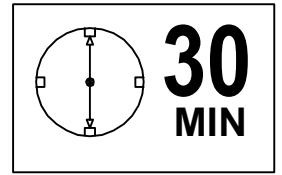
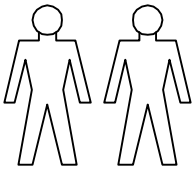
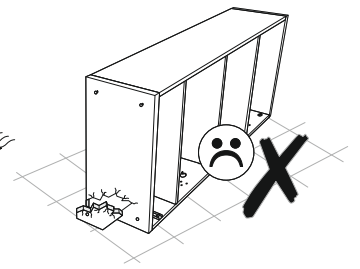
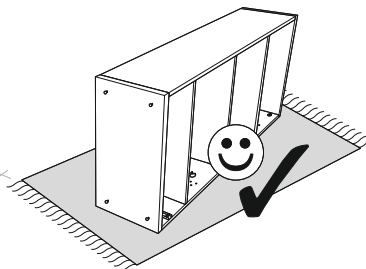
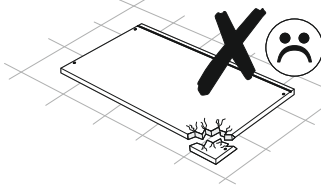
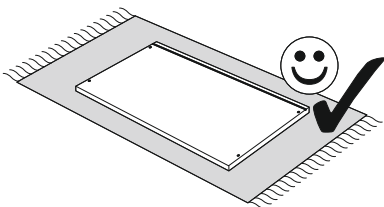
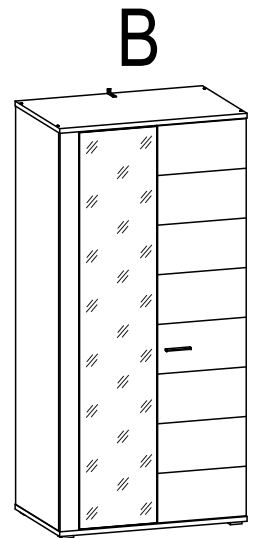
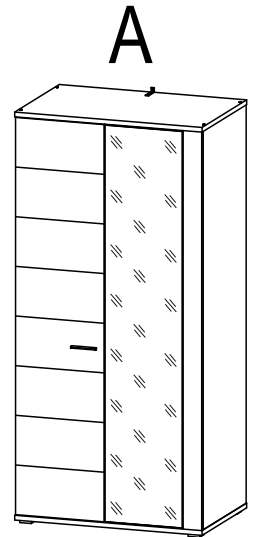
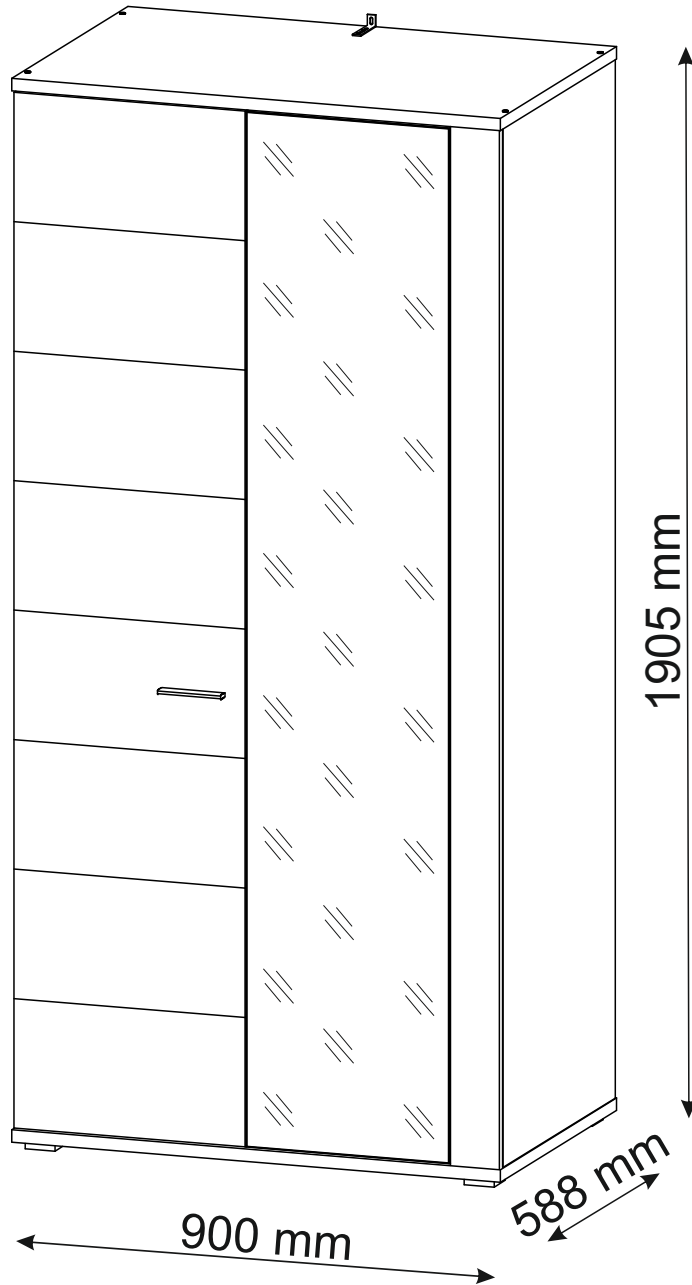


ADEL WARDROBE 2D



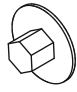





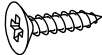

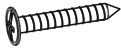
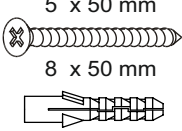
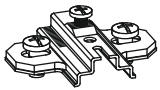
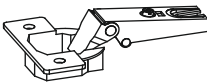
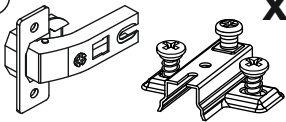
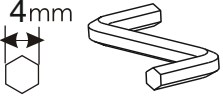

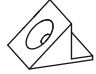

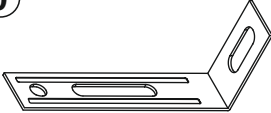
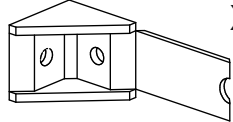
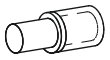

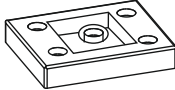

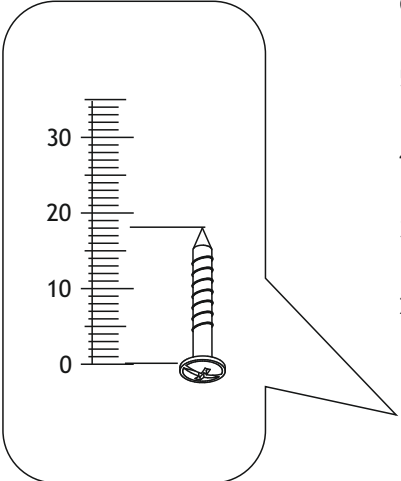


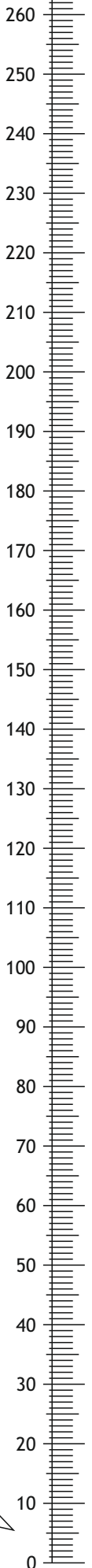
Ø5 Ø8



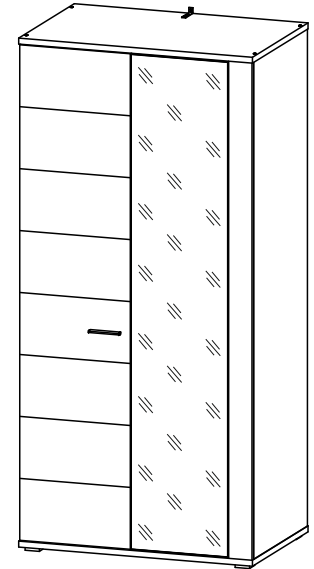
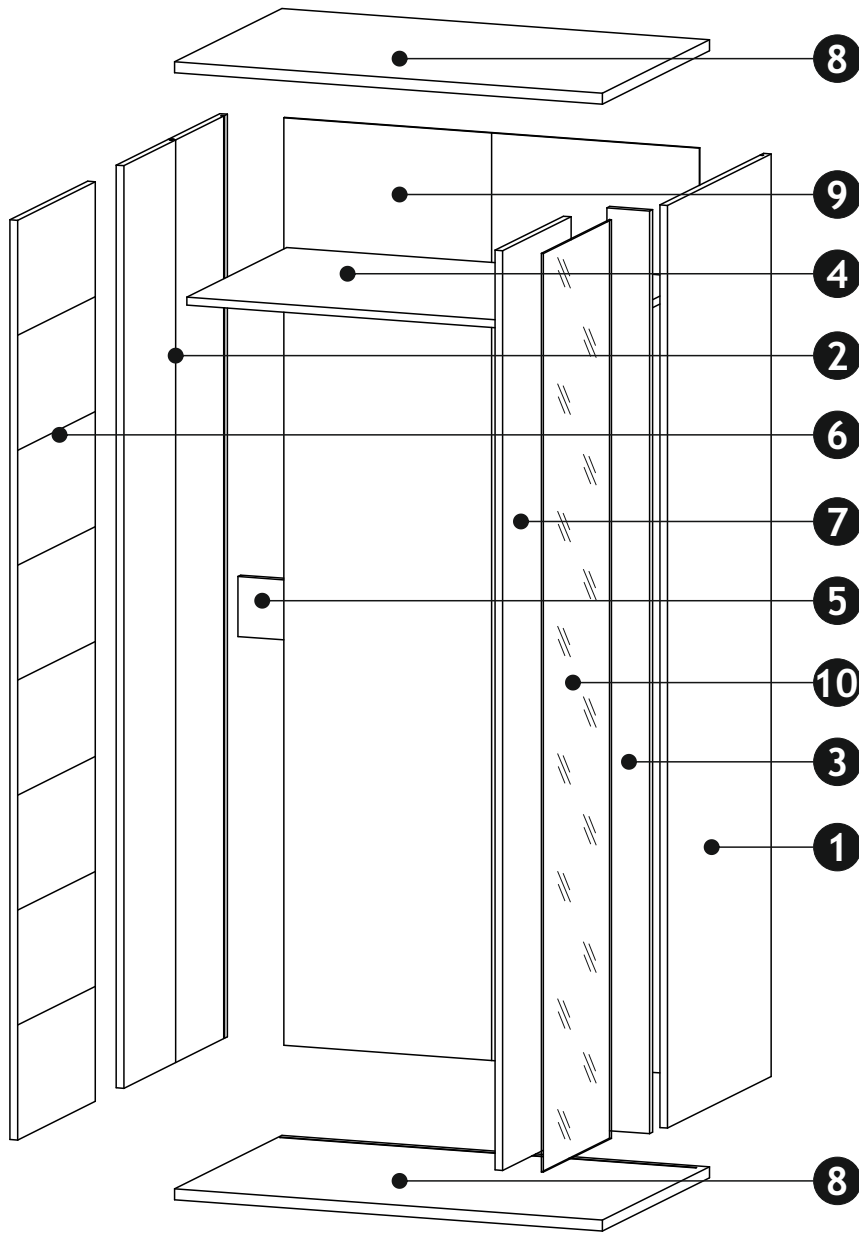
ADEL WARDROBE 2D


MM

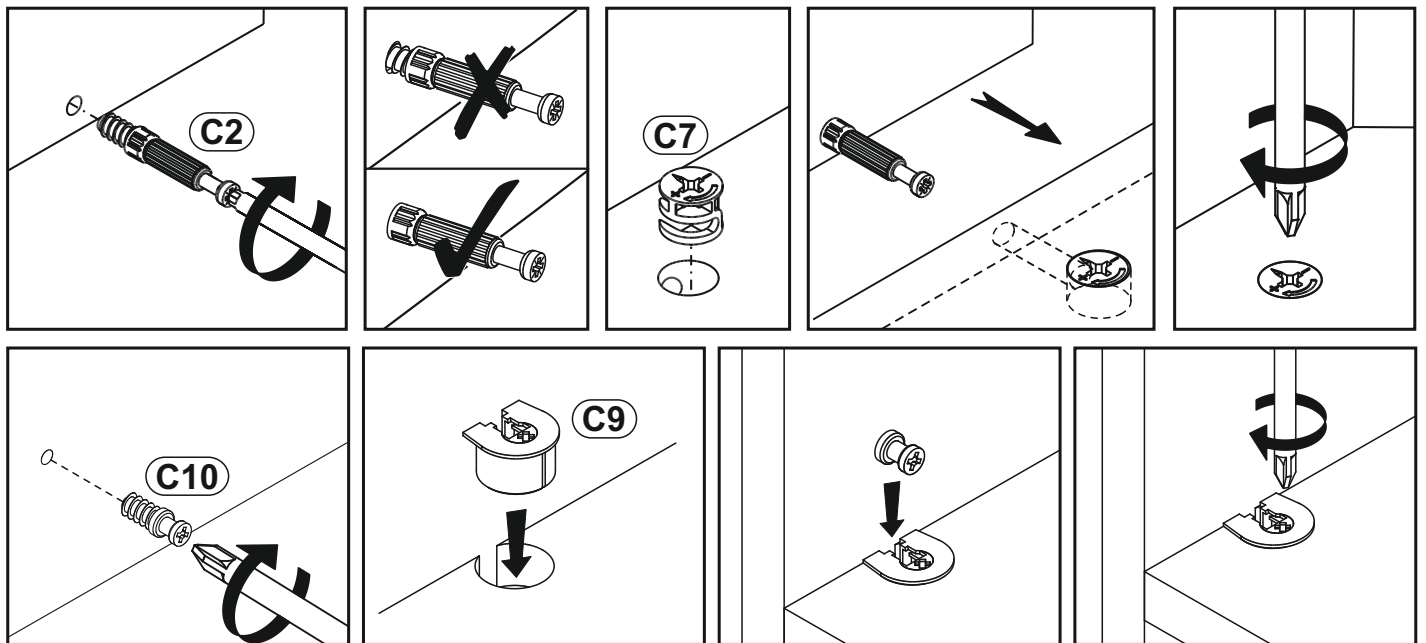
<p>A0 8 x 30mm x14</p> 	<p>B2 f 7 x 70 mm x8</p> 	<p>C0 x4</p> 
<p>C2 x6</p> 	<p>C7 x6</p> <p>16mm</p> 	<p>C9 x4</p> 
<p>C10 6,3 x 20 mm x4</p> 	<p>D0 3 x 15 mm x18</p> 	<p>D10 4 x 16 mm x24</p> 
<p>D12 4 x 25 mm x16</p> 	<p>D16 4,2 x 28 mm x2</p> 	<p>E0 5 x 50 mm x1 8 x 50 mm</p> 
<p>J6 x4</p> 	<p>J8 x4</p> 	<p>J15 x4</p> 
<p>K 4mm x1</p> 	<p>L26 x1</p> 	<p>M1 x18</p> 
<p>O1 x2</p> 	<p>P0 x1</p> 	<p>P20 x2</p> 
<p>Q4 x4</p> 	<p>S0 L-856 x1</p> <p>0</p> 	<p>T5 x4</p> 
<p>U0 x2</p> 		



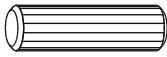


ADEL WARDROBE 2D

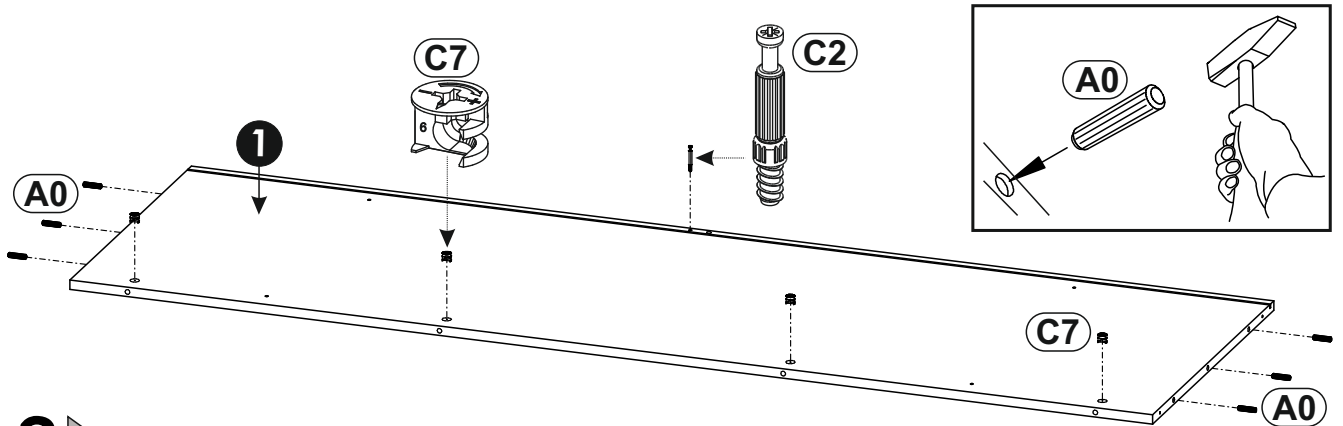


1	1846	568	16	x1	1/4
2	1846	568	16	x1	1/4
3	1846	90	16	x1	2/4
4	864	547	16	x1	3/4
5	864	120	16	x1	3/4
6	1840	426	16	x1	2/4
7	1840	375	16	x1	2/4
8	900	588	22	x2	3/4
9	1856	874	3	x1	1/4
10	1838	373	3	x1	
					4/4



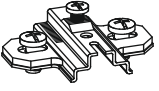


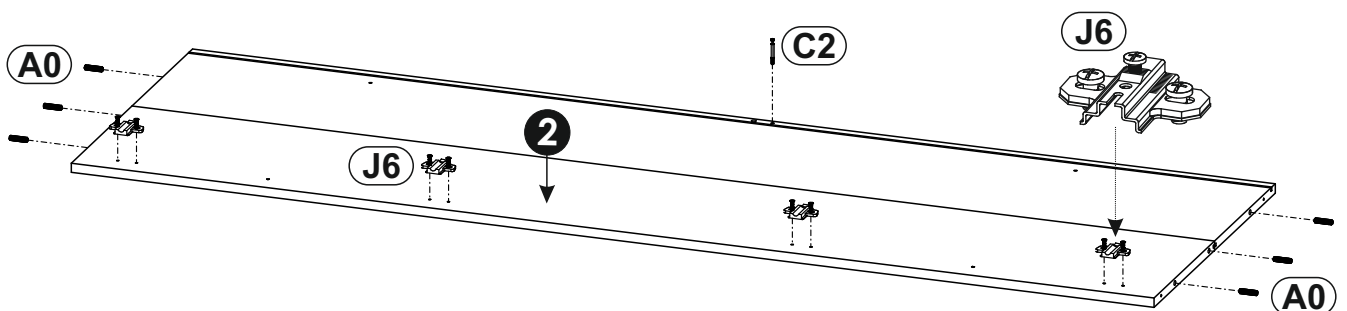
1 ▶

<p>(A0) 8 x 30mm x6</p> 	<p>(C2) x1</p> 	<p>(C7) x4</p> <p>16mm</p> 
--	--	---

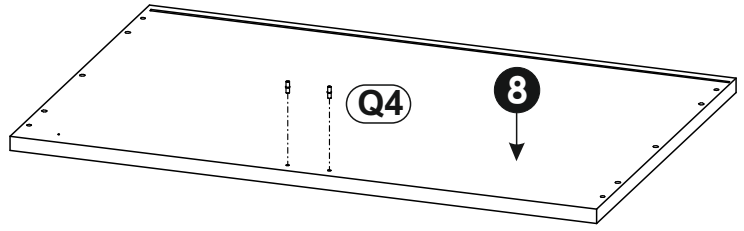
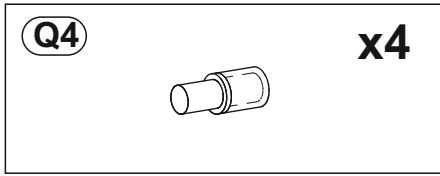


2 ▶

<p>(A0) 8 x 30mm x6</p> 	<p>(C2) x1</p> 	<p>(J6) x4</p> 
---	--	--

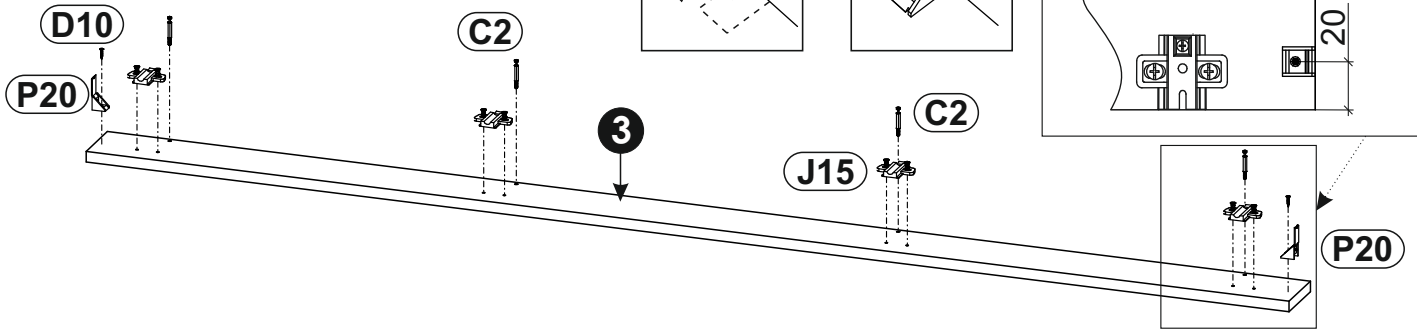
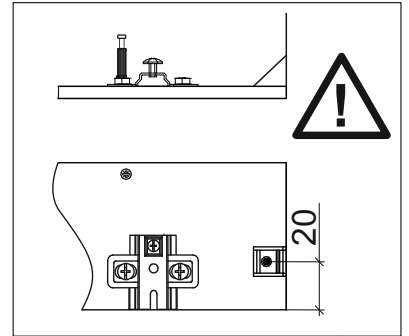
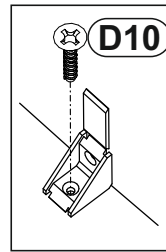
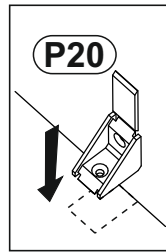
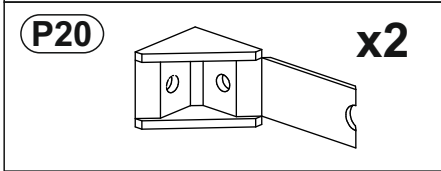
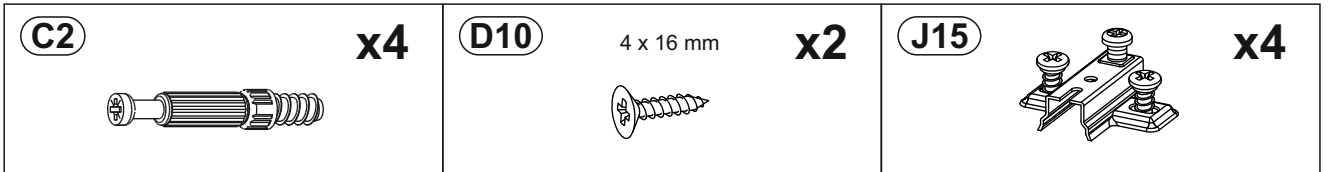


3 ▶

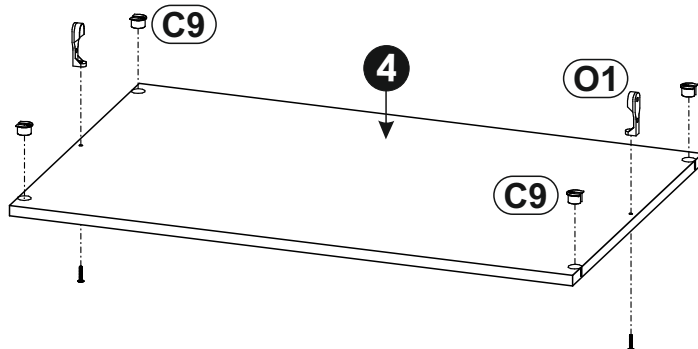
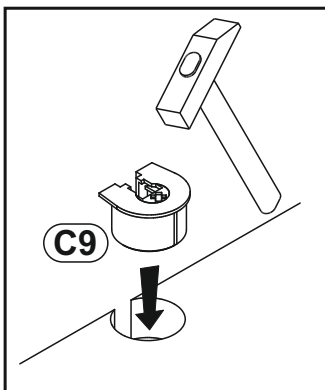
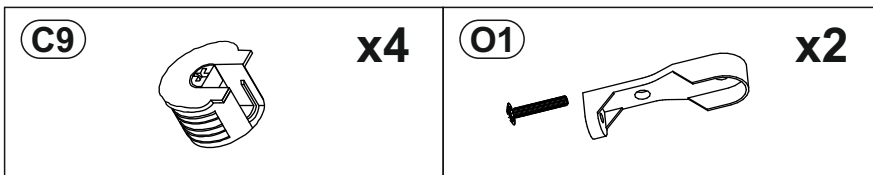


x2

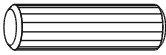

4 ▶

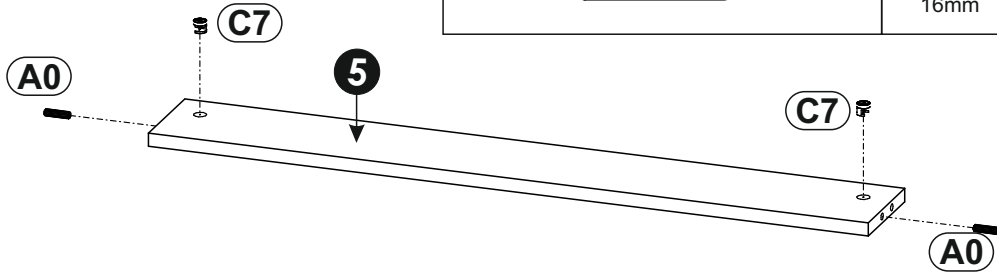


5 ▶

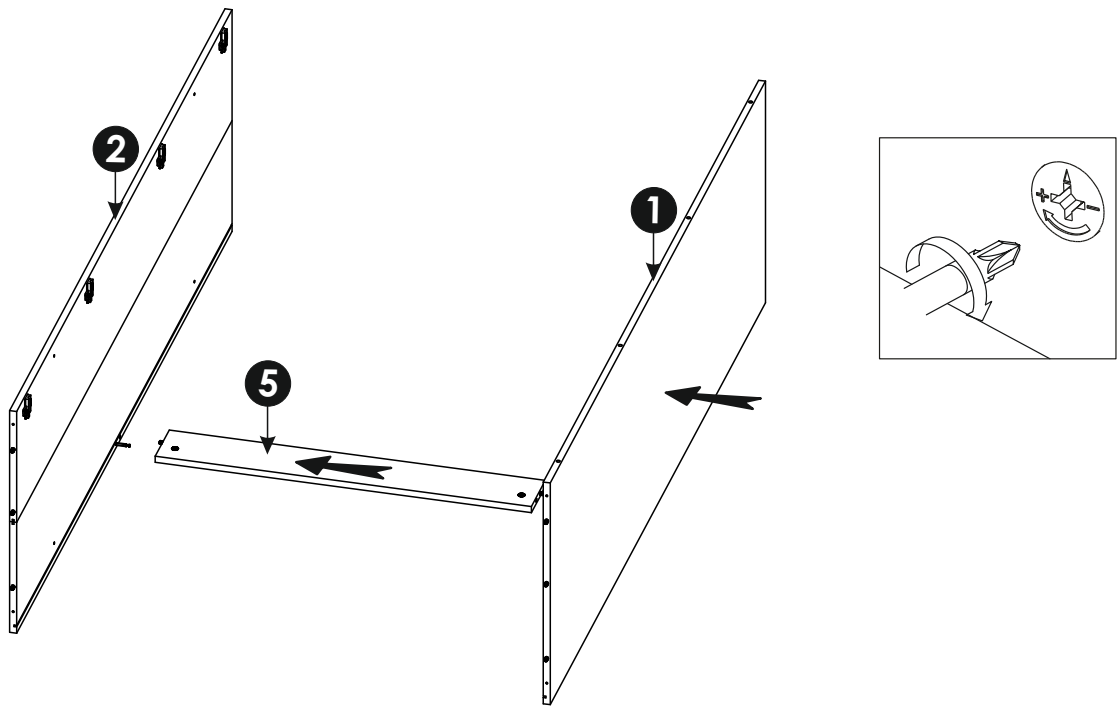


6 ▶


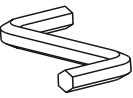
(A0)	8 x 30mm	x2	(C7)	x2
			16mm	

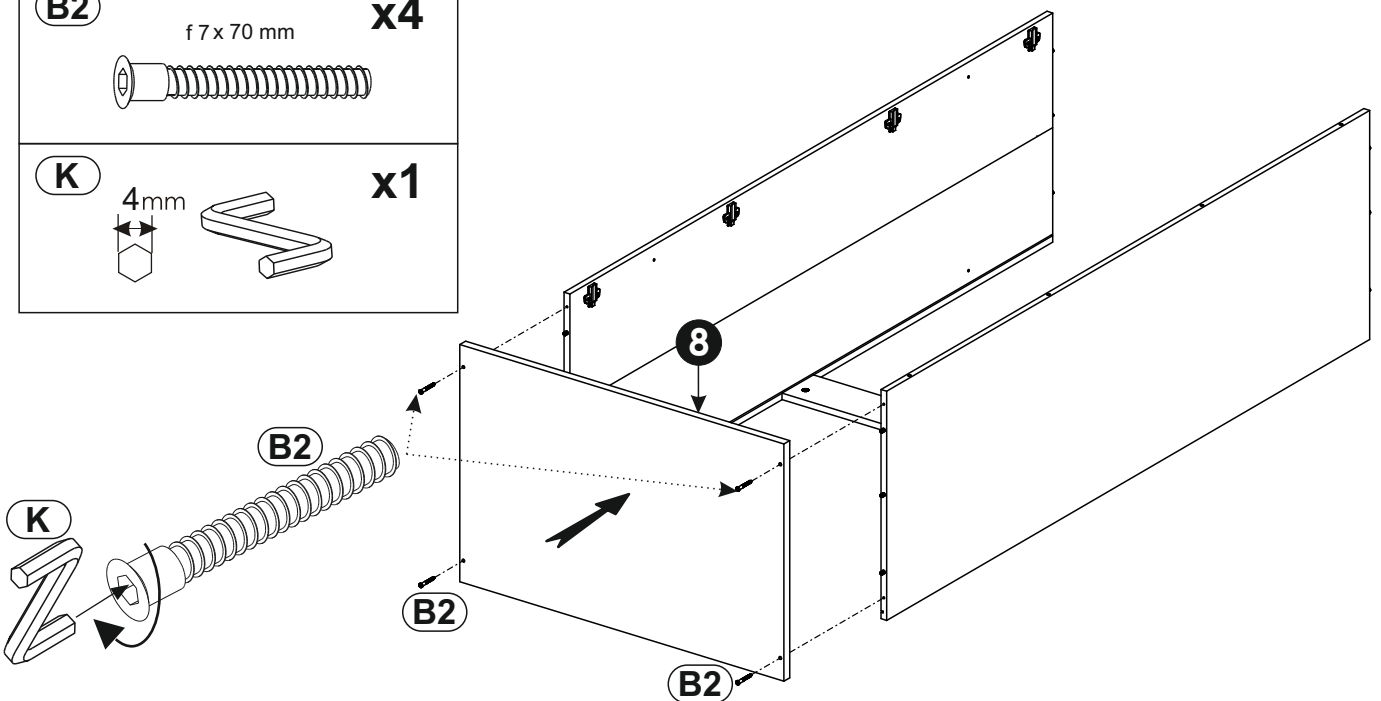


7 ▶

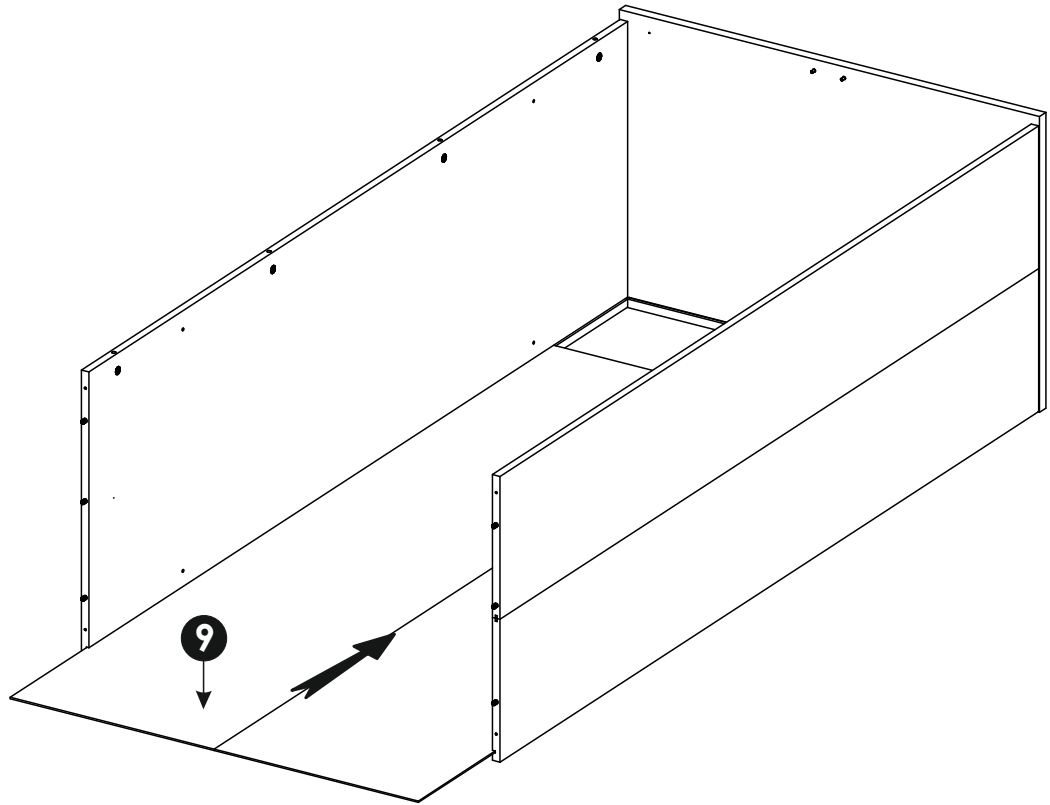


8 ▶

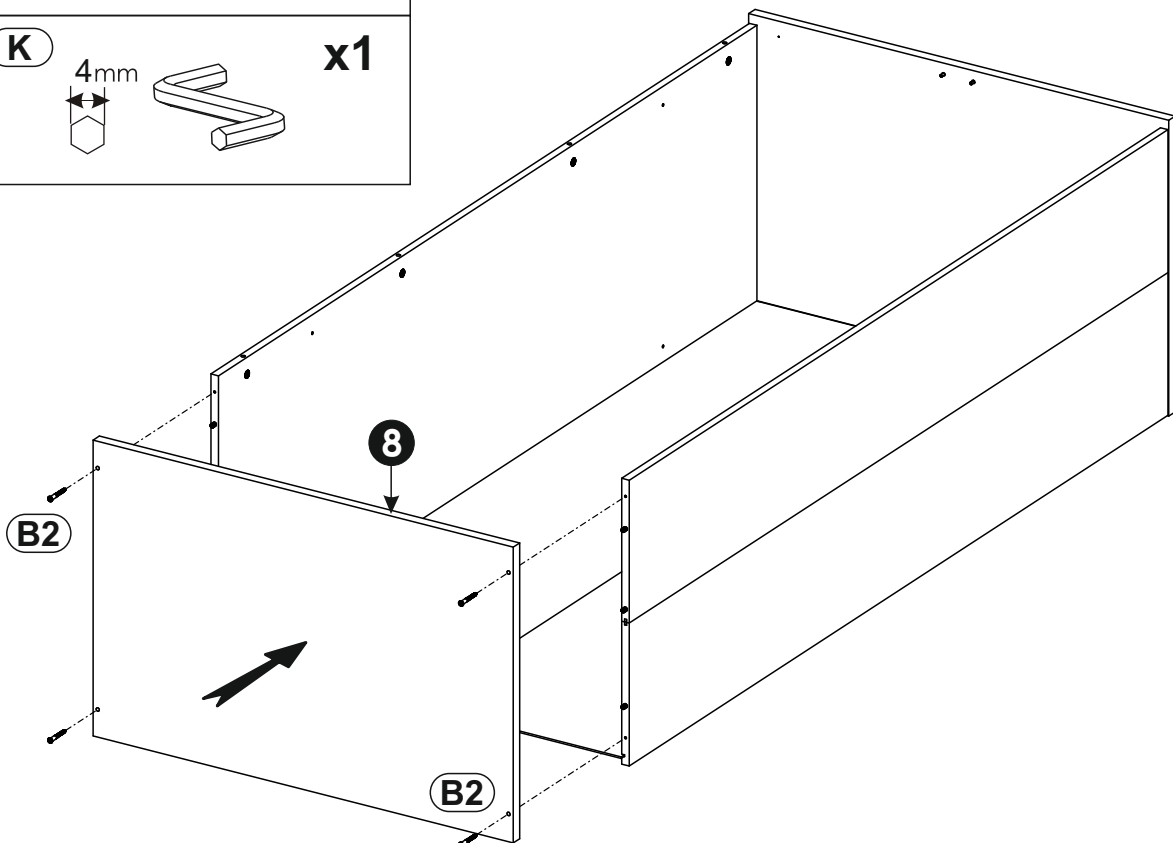
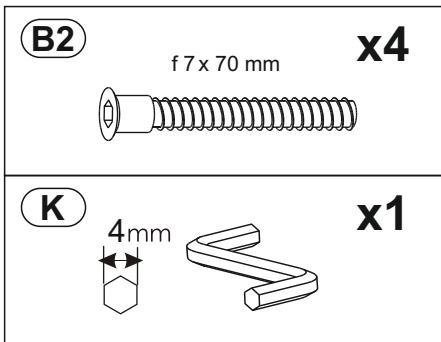
(B2)	f 7 x 70 mm	x4
		
(K)	4mm	x1
		





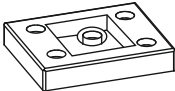
9 ▶

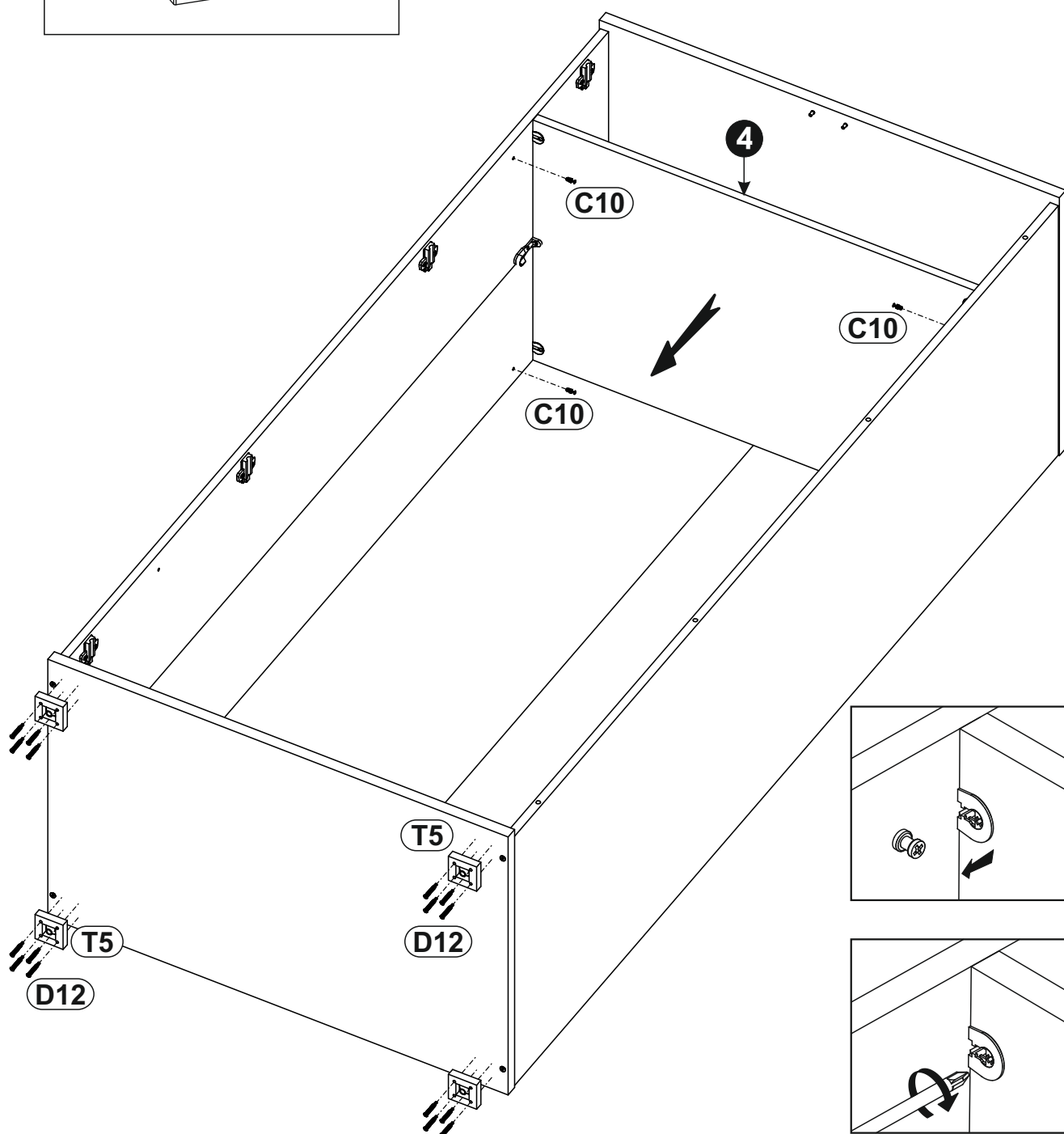
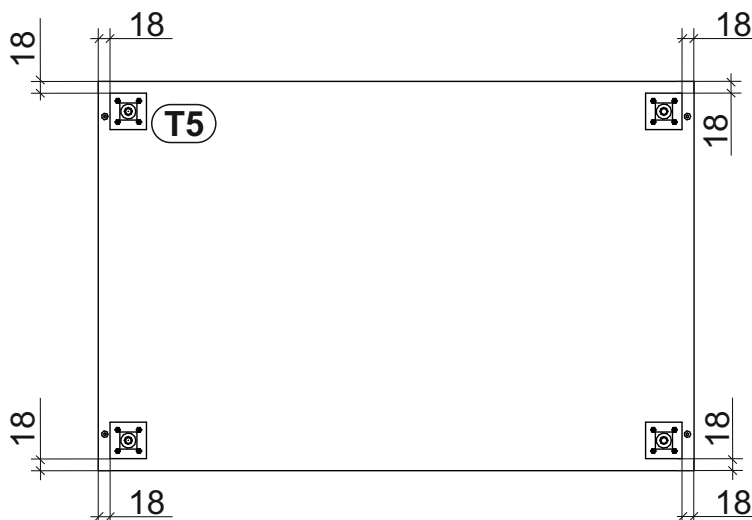


10 ▶



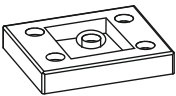


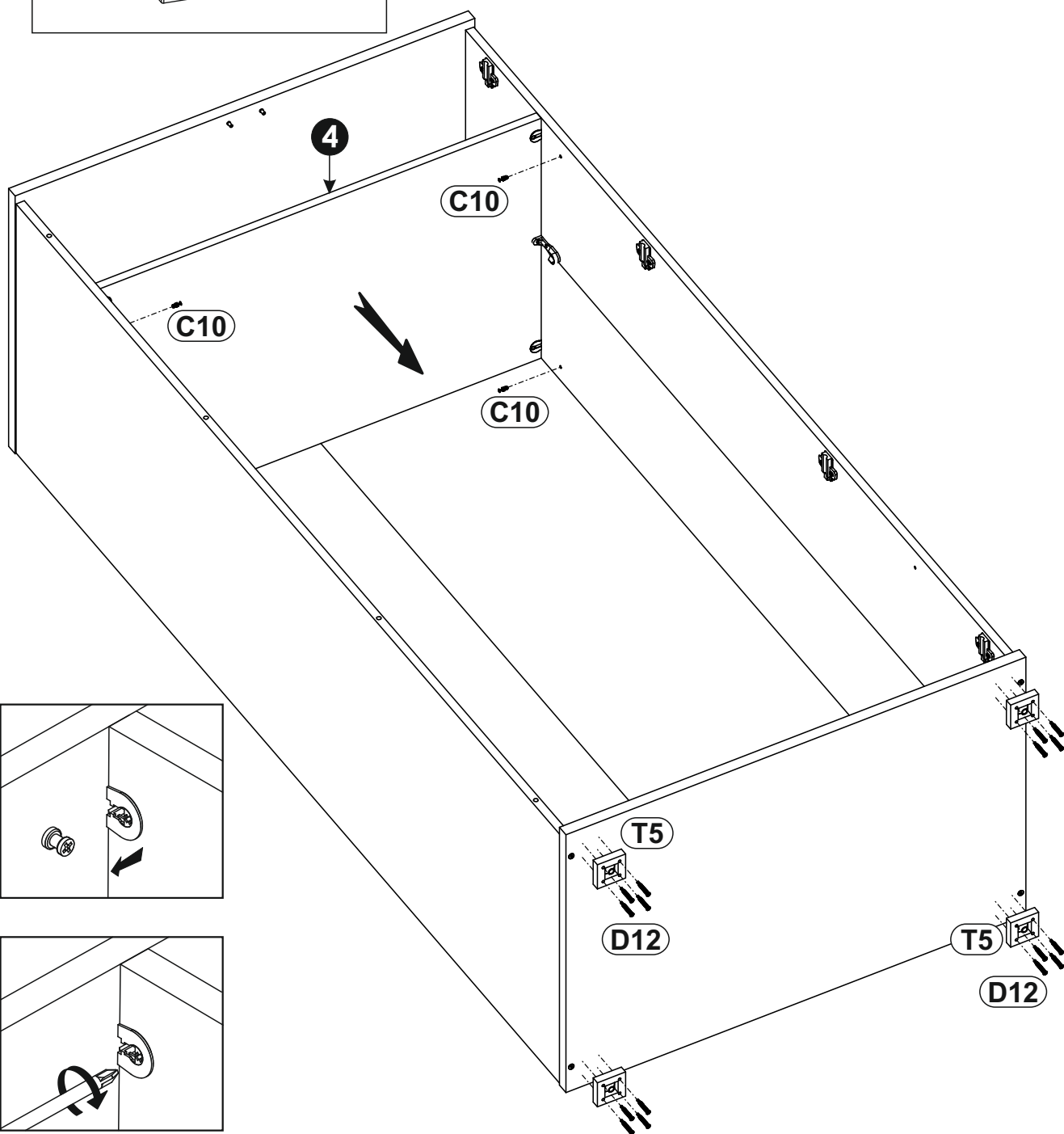
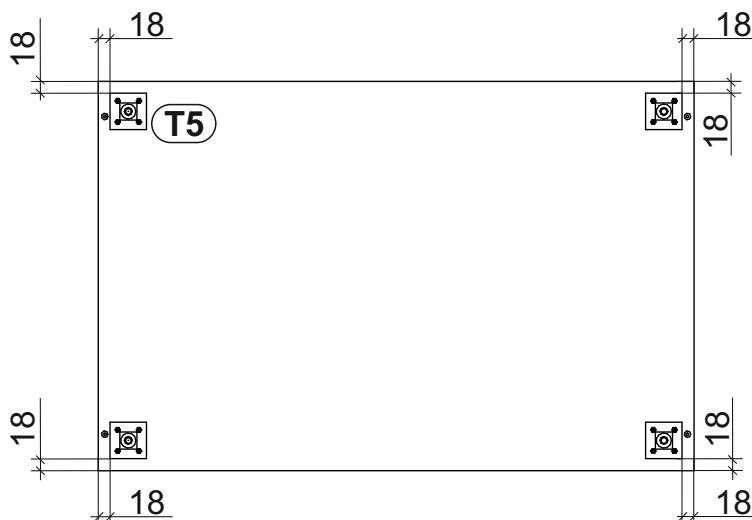
11 ▶ A

C10	6,3 x 20 mm	x4
		
D12	4 x 25 mm	x16
		
T5		x4
		

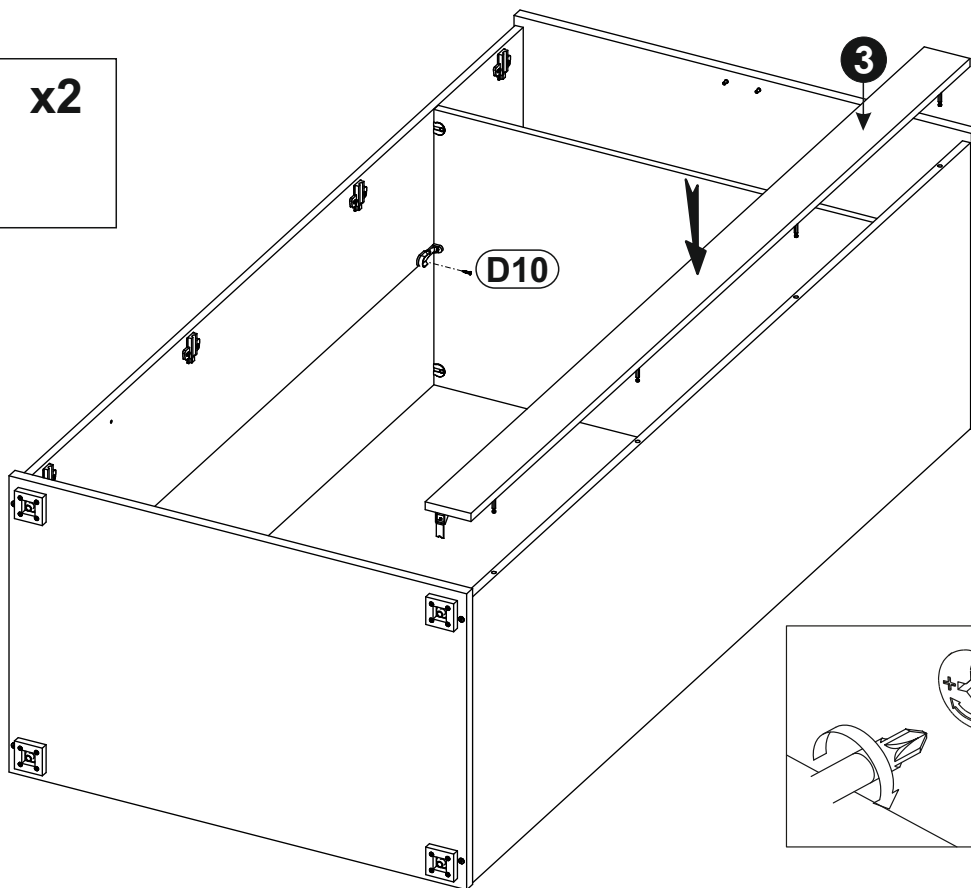
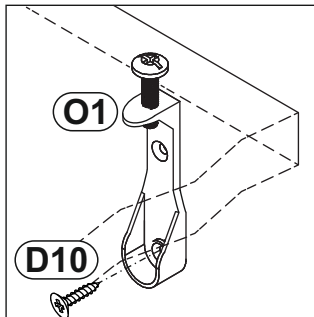
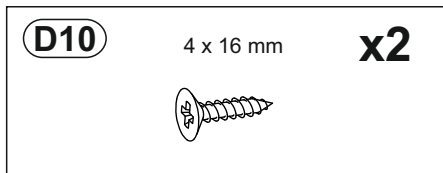


11 ▶ B

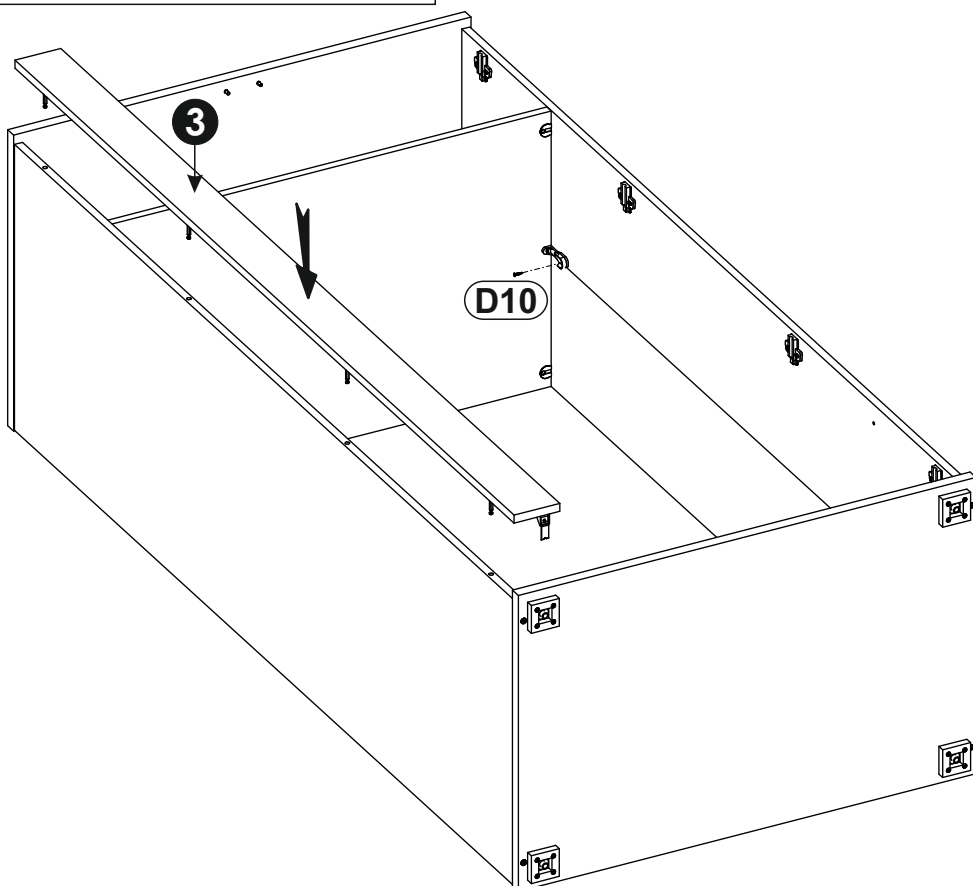
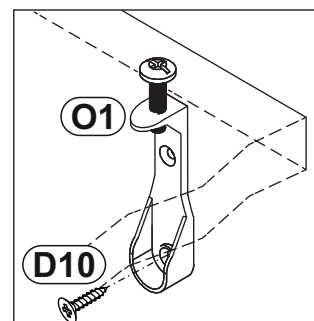
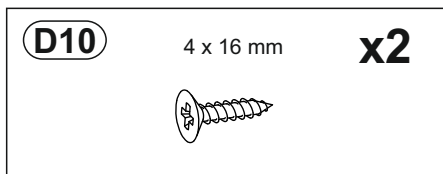
C10	6,3 x 20 mm	x4
		
D12	4 x 25 mm	x16
		
T5		x4
		



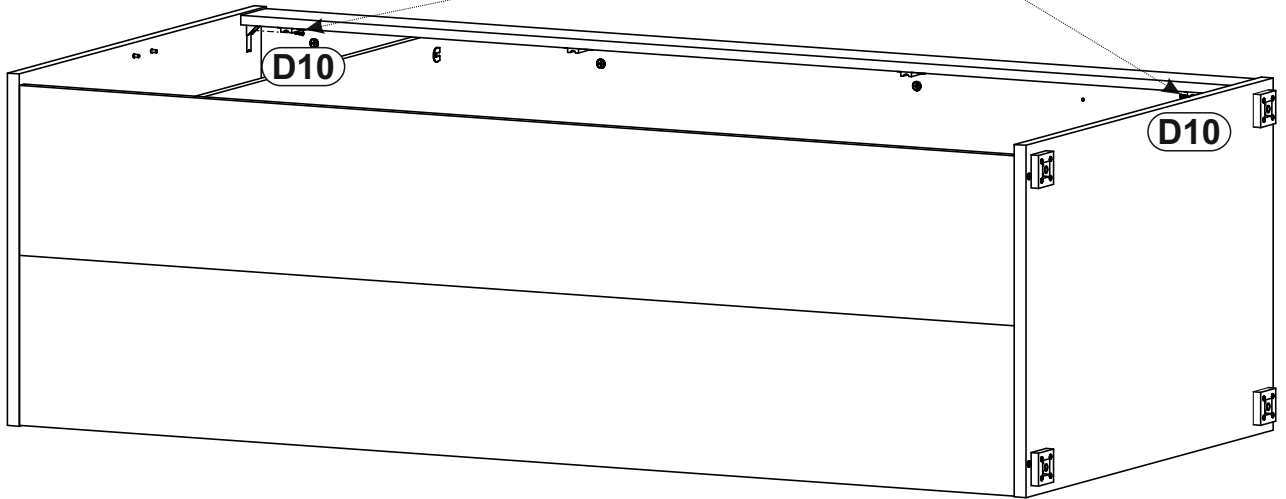
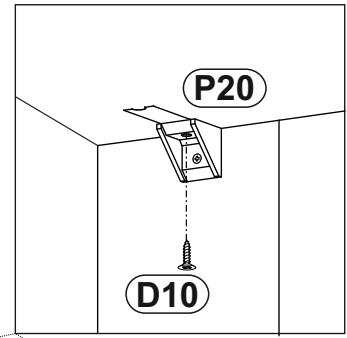
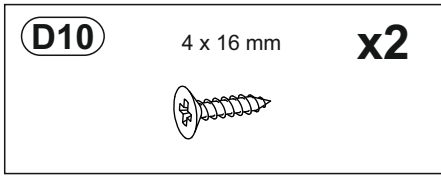
12▶A



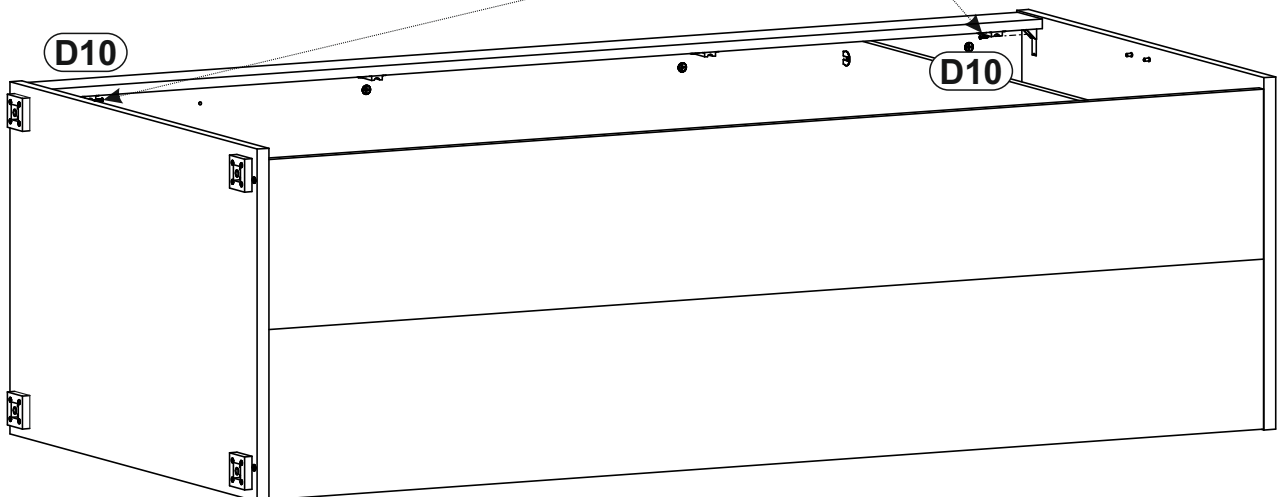
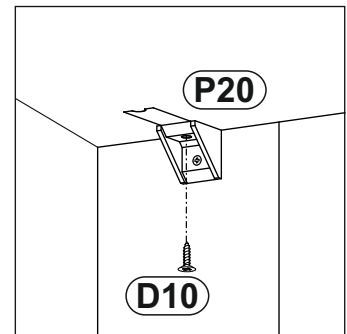
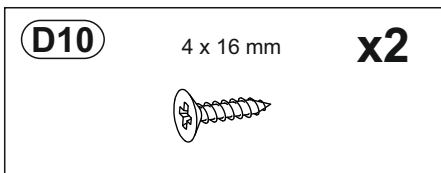
12▶B





13 ▶ A

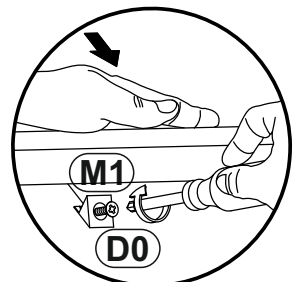
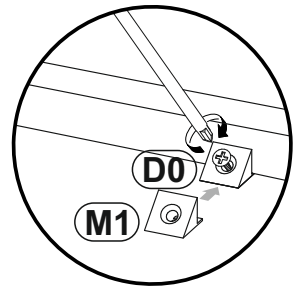
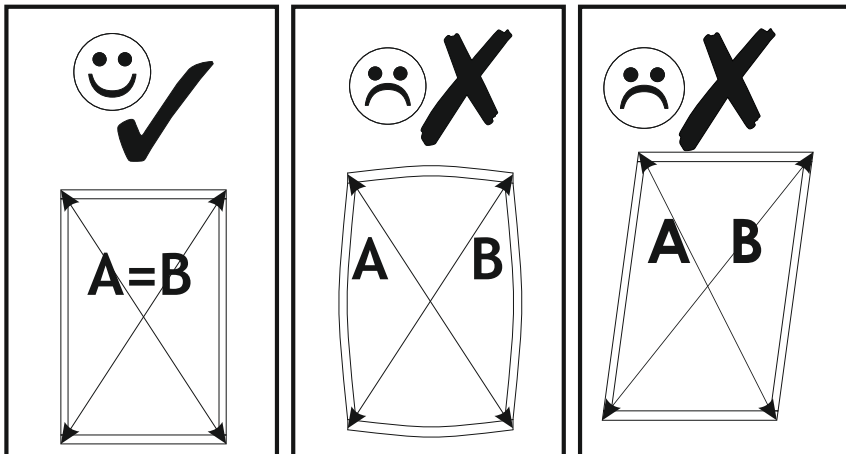
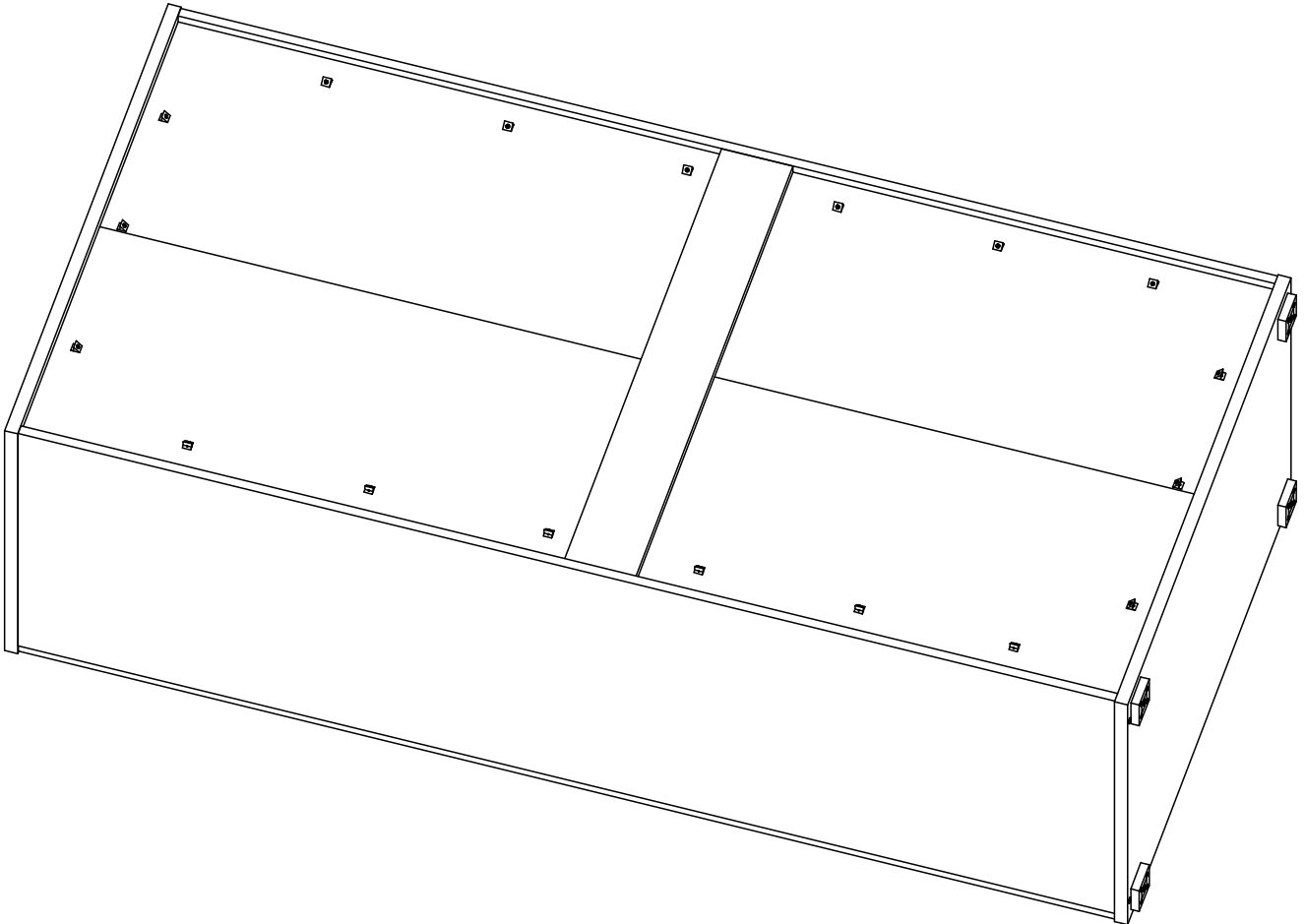


13 ▶ B

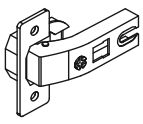


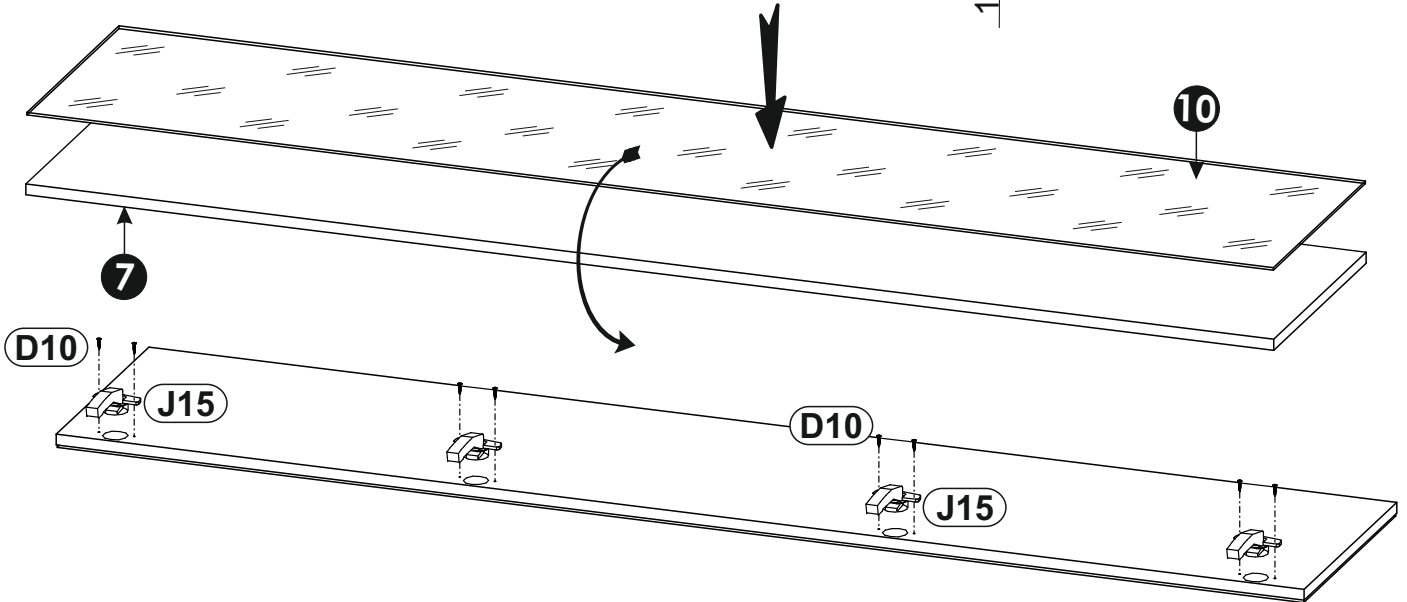
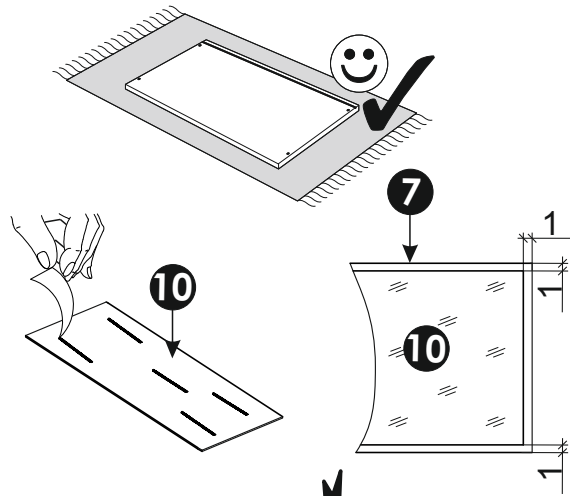
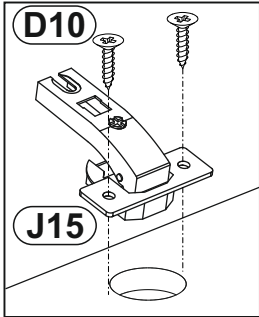
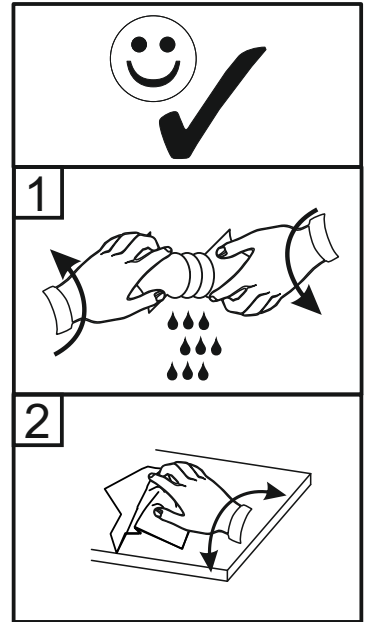
14 ▶

(D0) 3 x 15 mm 	x18	(M1) 	x18
---	------------	---	------------

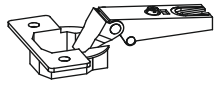


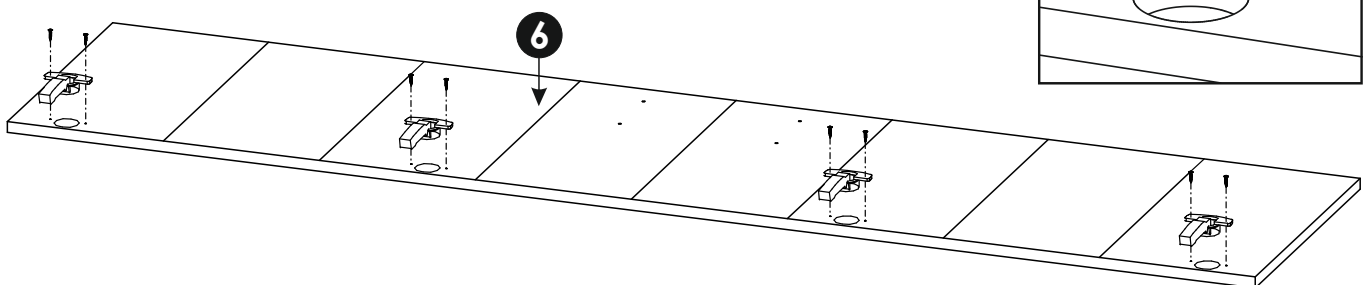
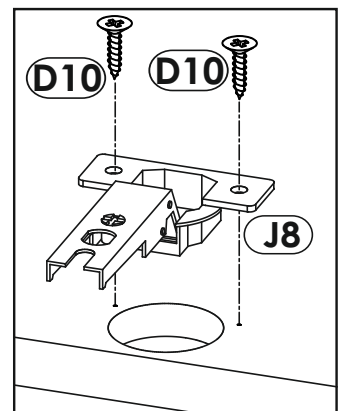
15 ▶

D10	4 x 16 mm	x8	J15		x4
------------	-----------	-----------	------------	---	-----------

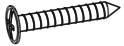




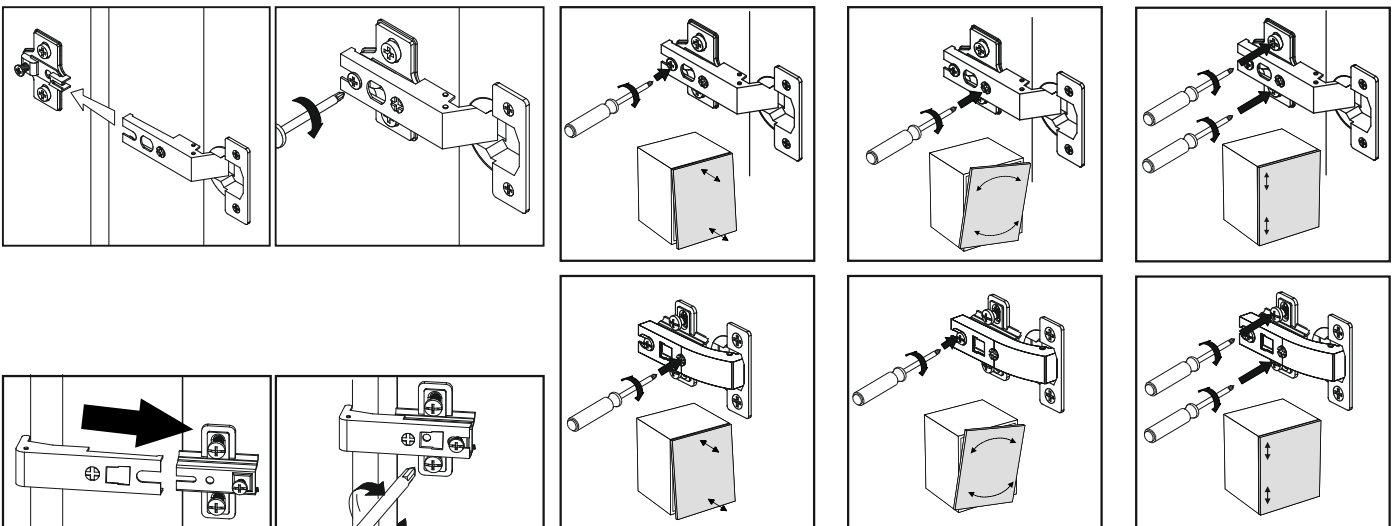
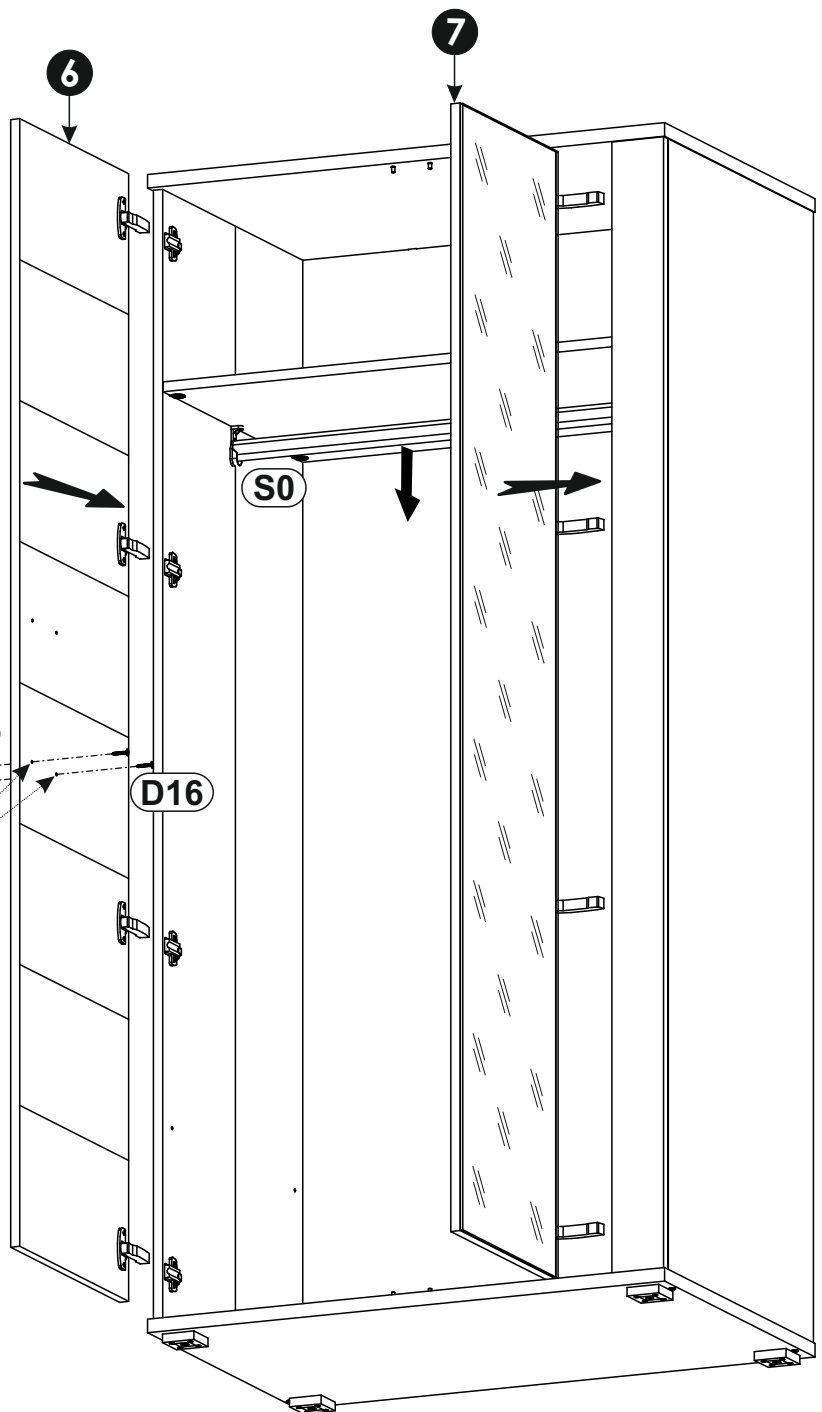
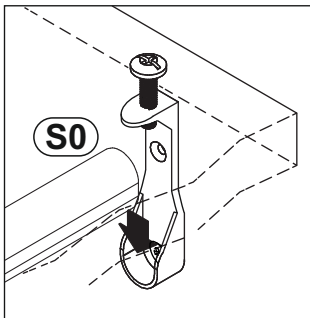
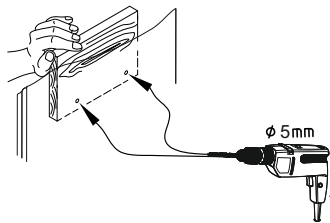
16 ▶

D10	4 x 16 mm	x8	J8		x4
------------	-----------	-----------	-----------	---	-----------


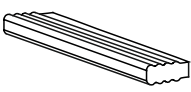



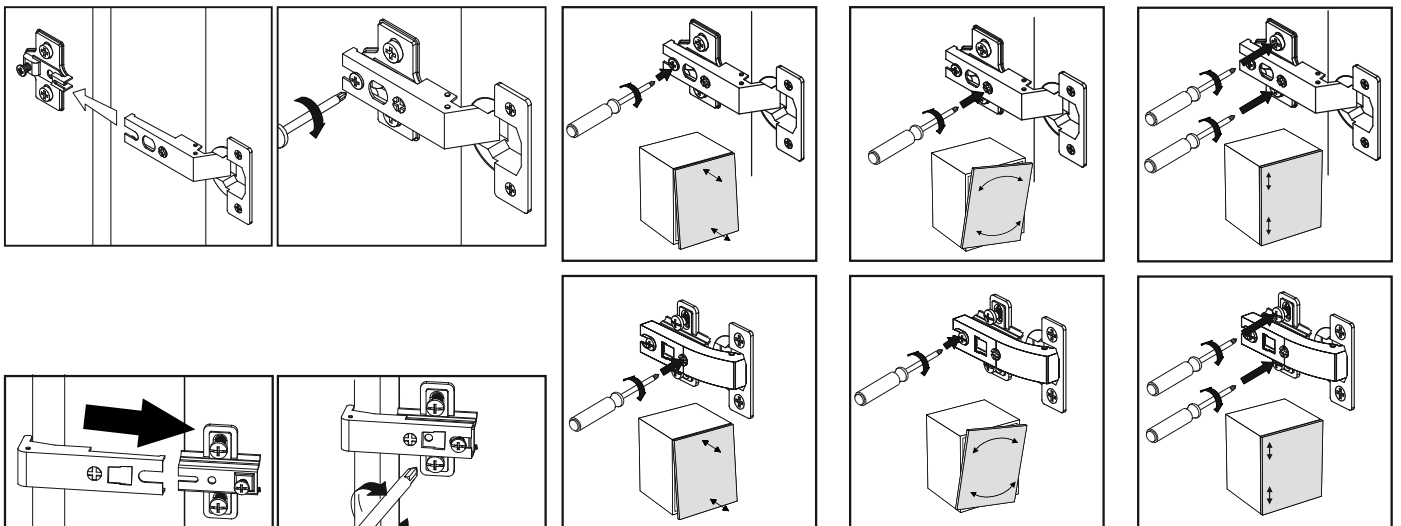
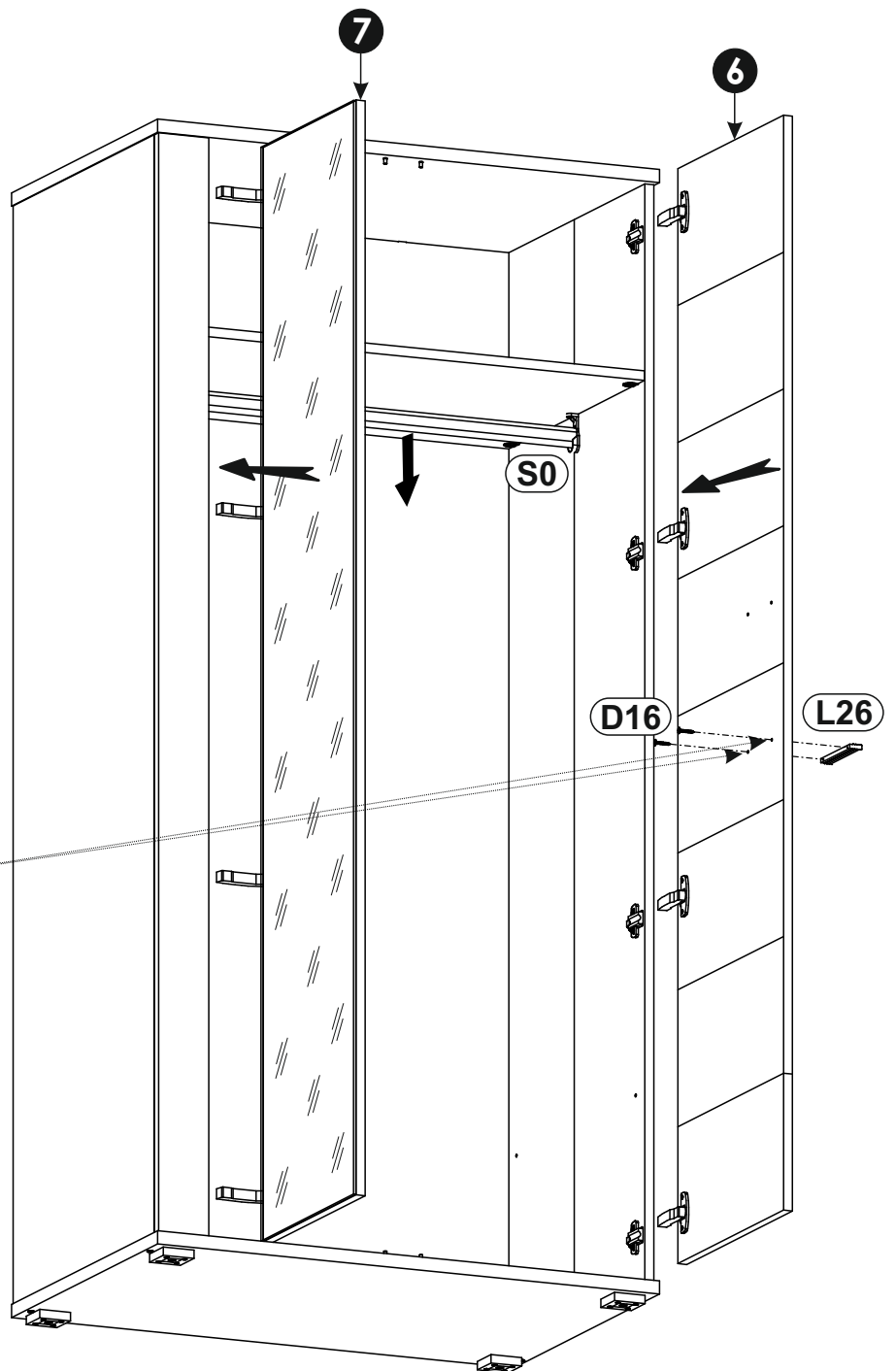
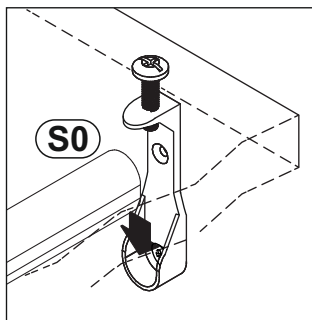
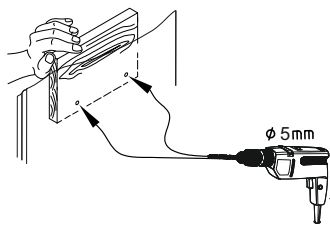
17▶A

D16	4,2 x 28 mm	x2
		
L26		x1
		
S0	L-856	x1
		

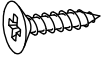
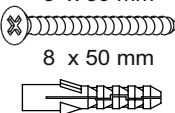
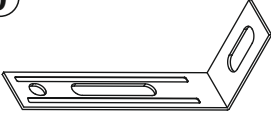


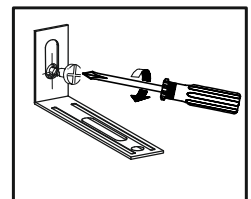
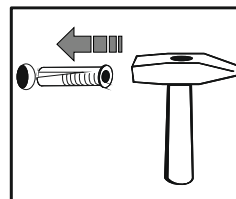
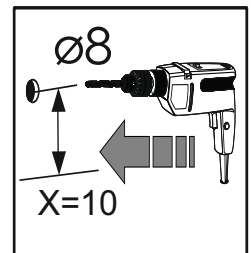
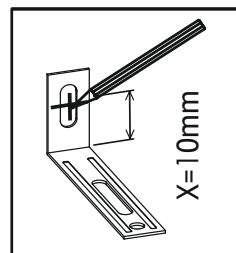
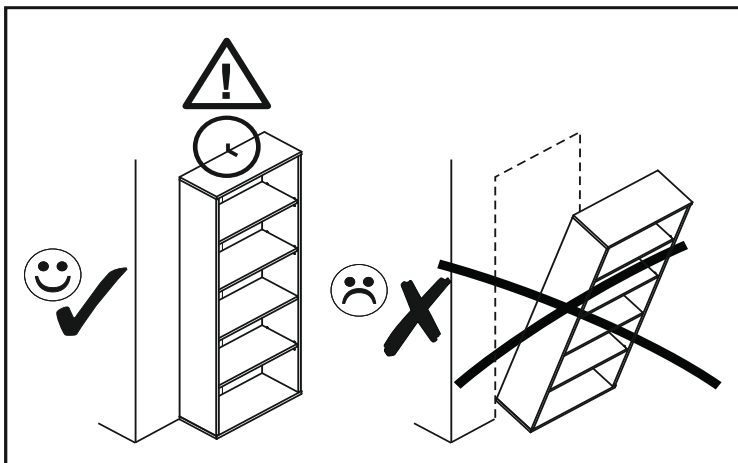
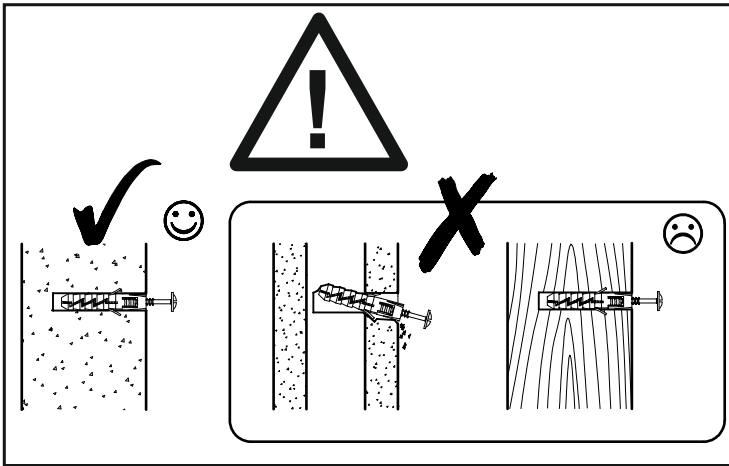
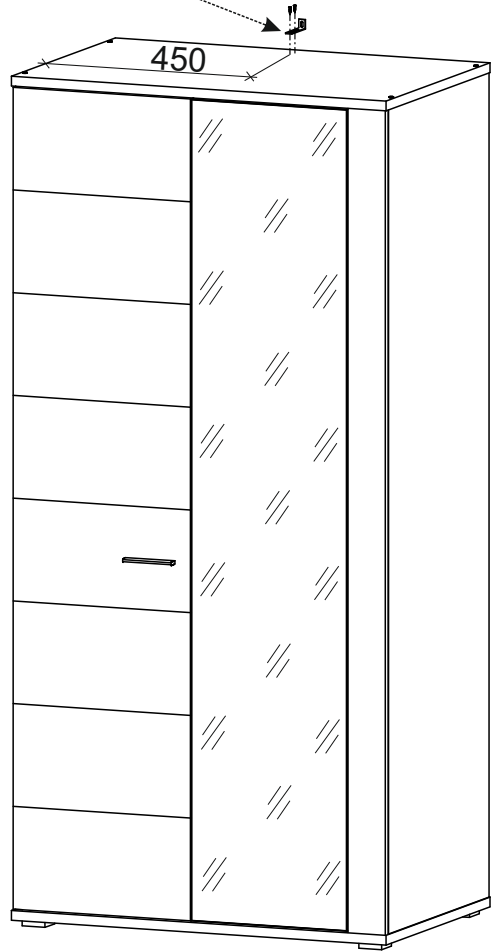
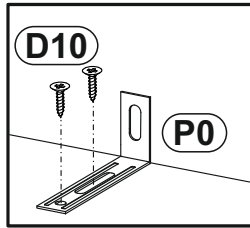
17 ▶ B

D16	4,2 x 28 mm	x2
		
L26		x1
		
S0	L-856	x1
		

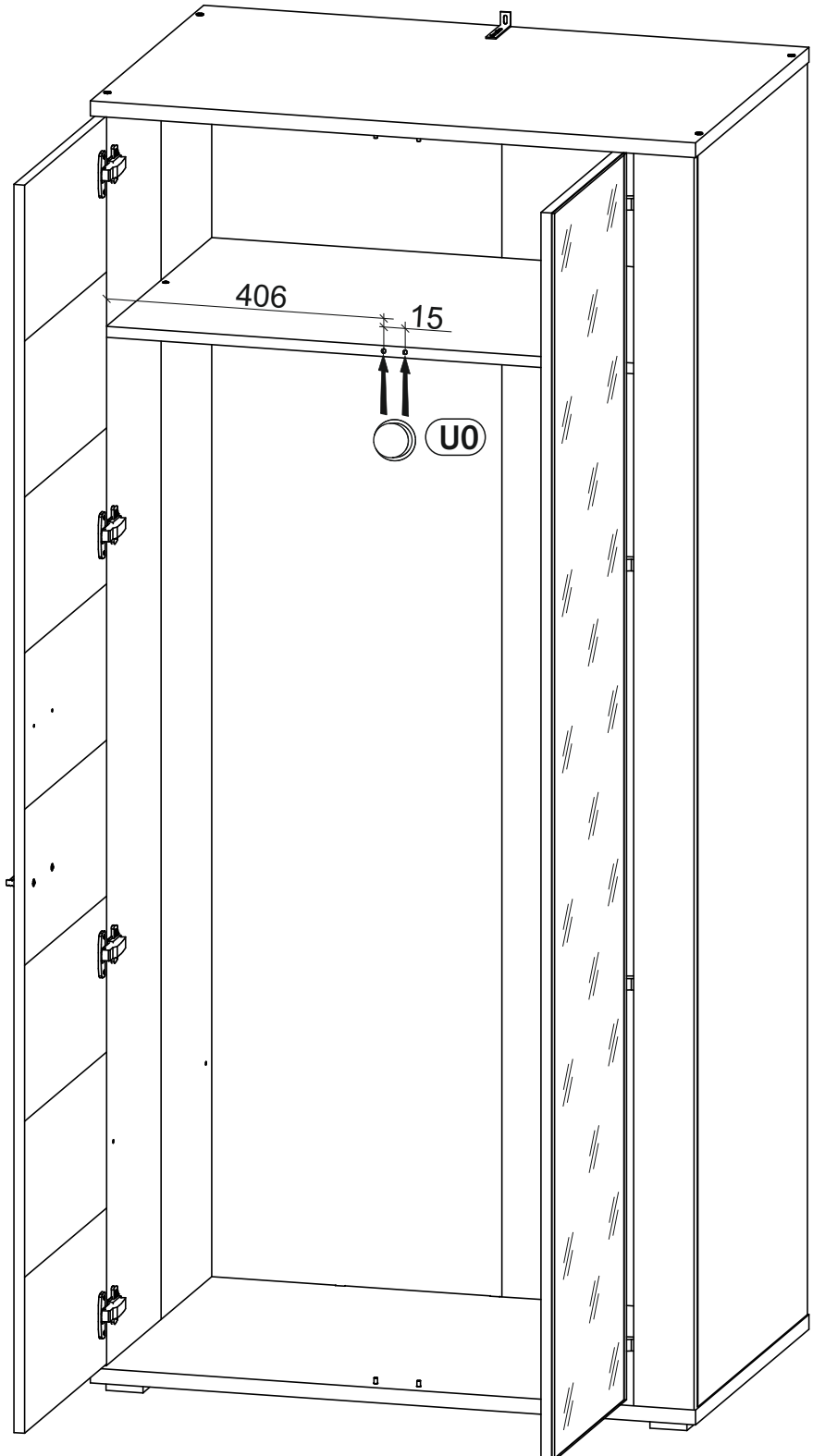
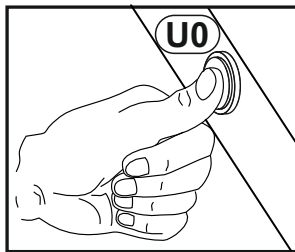
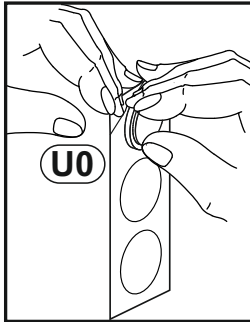
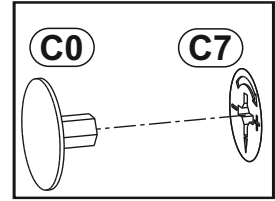
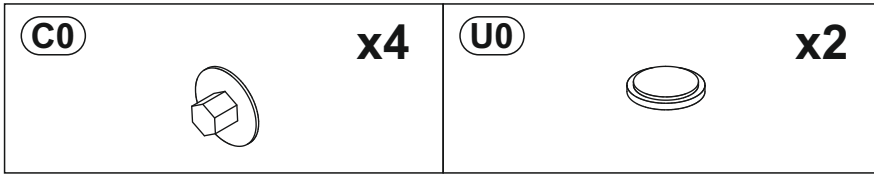


18 ▶

- D10** 4 x 16 mm **x2**

- E0** 5 x 50 mm **x1**
8 x 50 mm

- P0** **x1**




19 ▶ A



19 ▶ B

