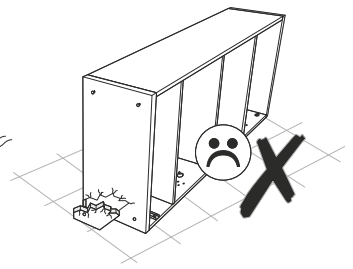
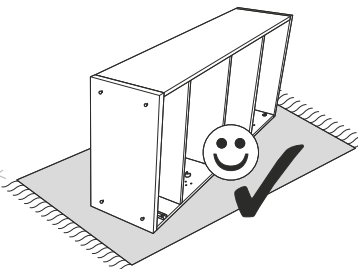
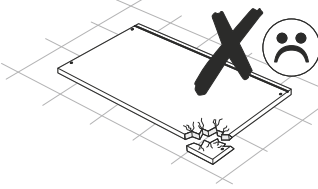
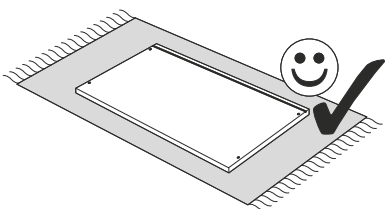
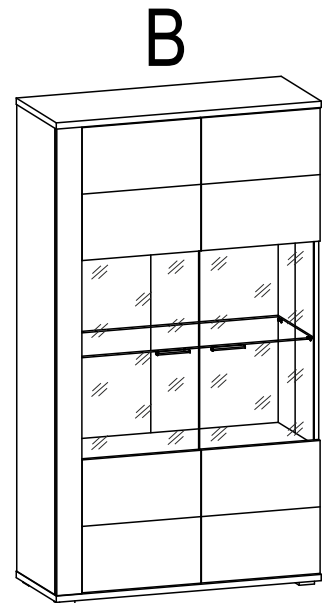
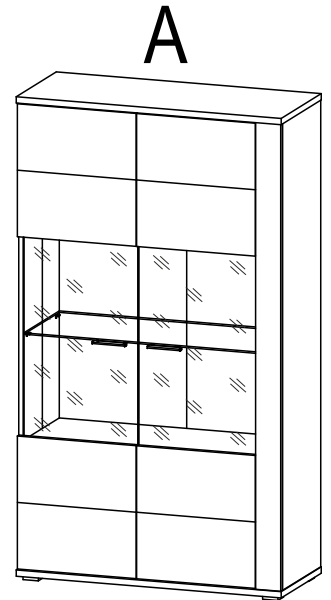
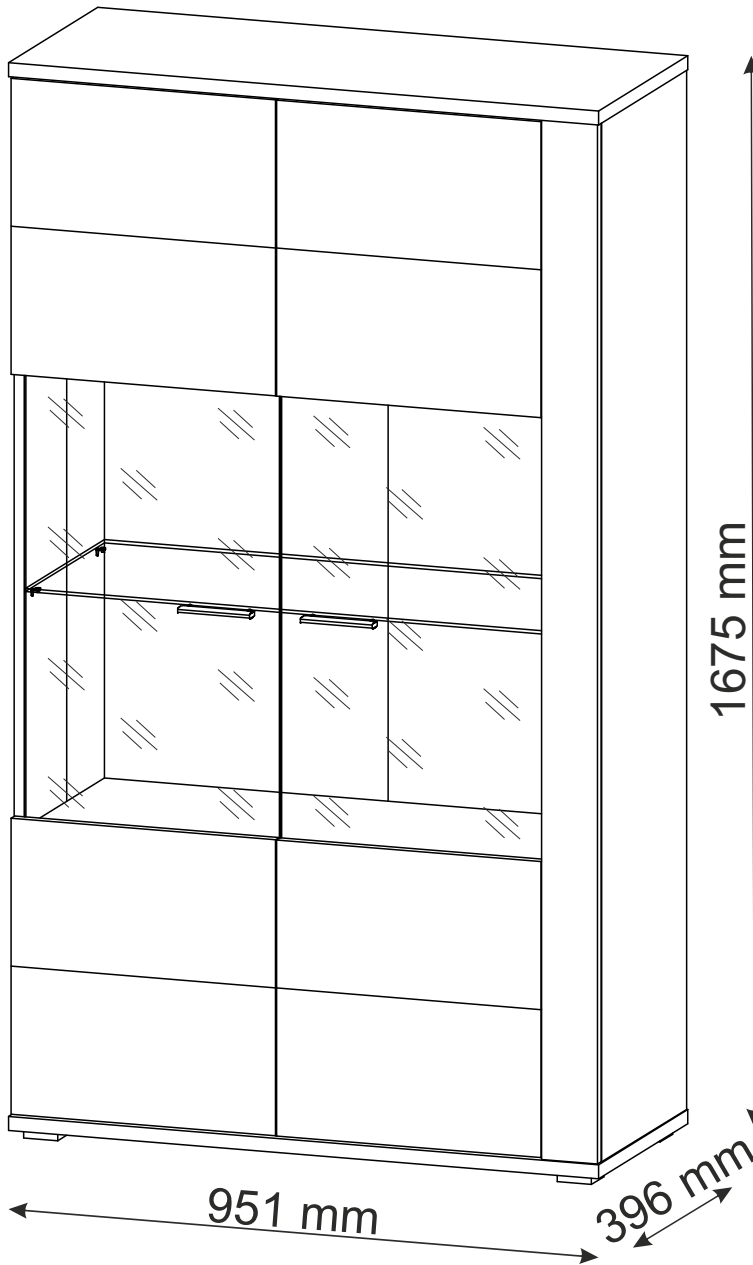
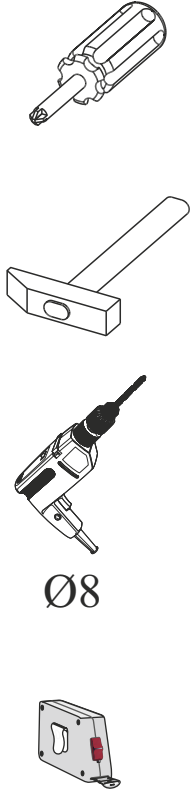
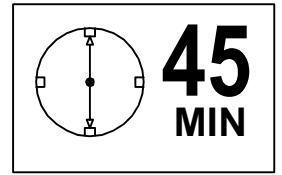
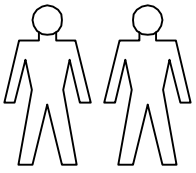


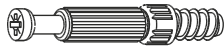


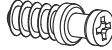





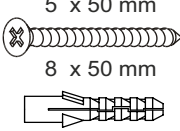
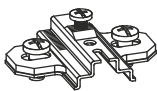
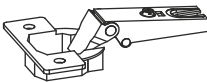
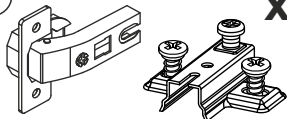



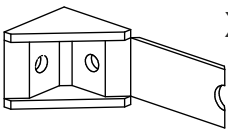
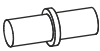
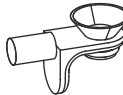
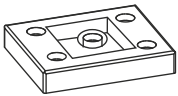

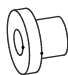



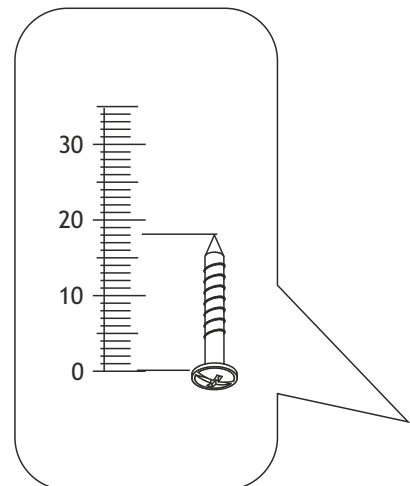
ADEL TALL CABINET 2D



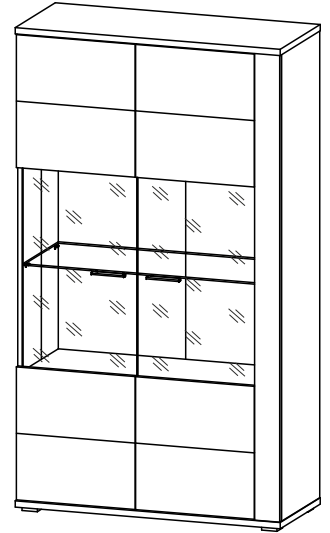
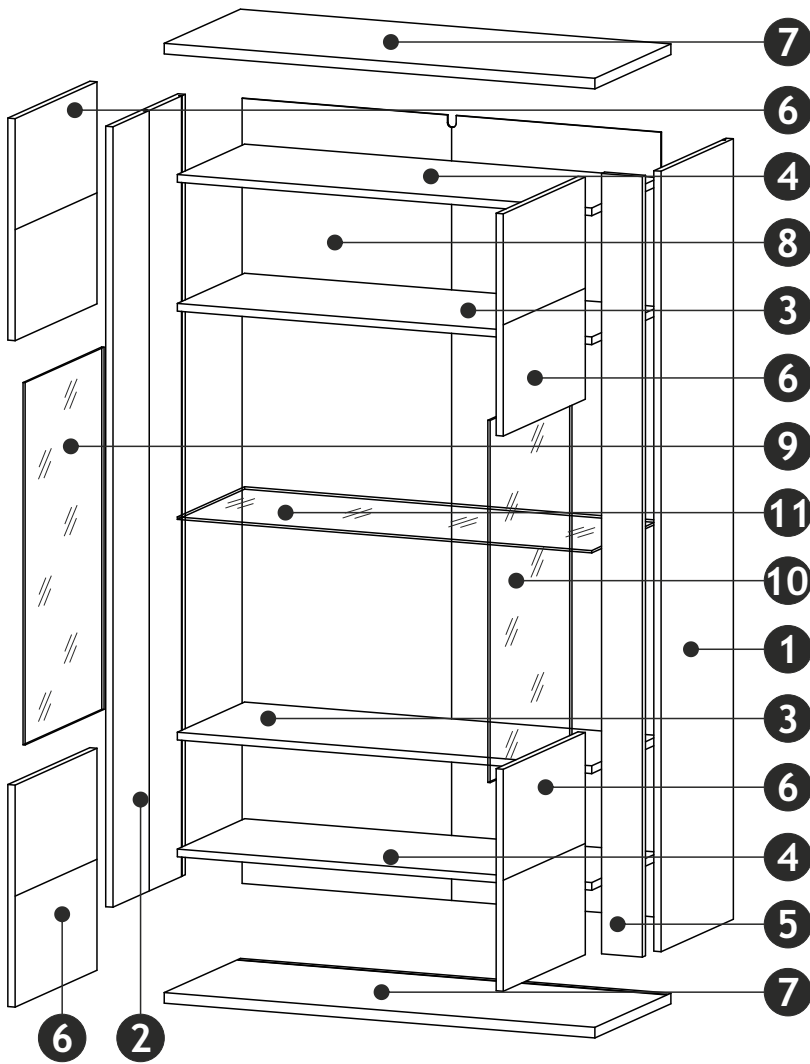
ADEL TALL CABINET 2D


MM

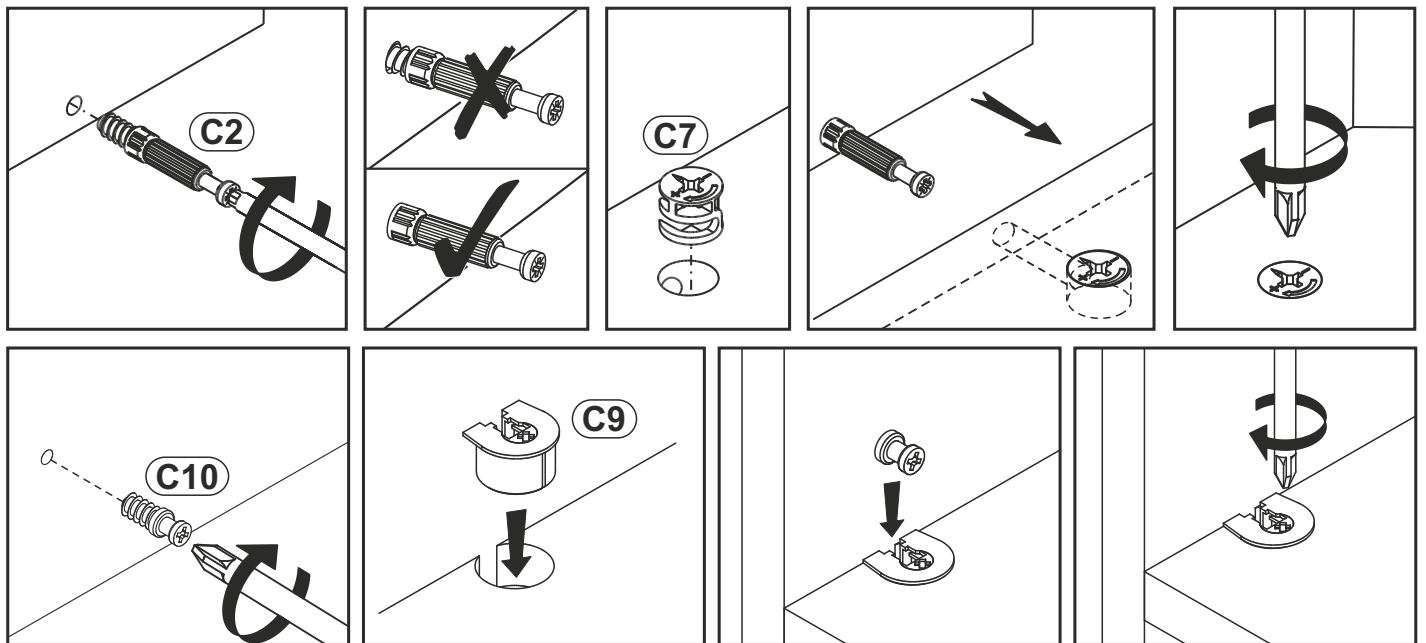
| | | |
|---|---|---|
| A0 8 x 30mm x8  | C0  x2 x10 | C2  x12 |
| C7 16mm  x12 | C9  x8 | C10 6,3 x 20 mm  x8 |
| D0 3 x 15 mm  x16 | D4 3,5 x 18 mm  x12 | D10 4 x 16 mm  x22 |
| D11 4 x 20 mm  x4 | D12 4 x 25 mm  x16 | E0 5 x 50 mm 8 x 50 mm  x1 |
| J6  x4 | J8  x4 | J15  x4 |
| L26  x2 | M1  x16 | P0  x1 |
| P20  x2 | Q0  x8 | Q1  x4 |
| T5  x4 | U0  x8 | U1  x16 |
| U6  x12 | | |






ADEL TALL CABINET 2D

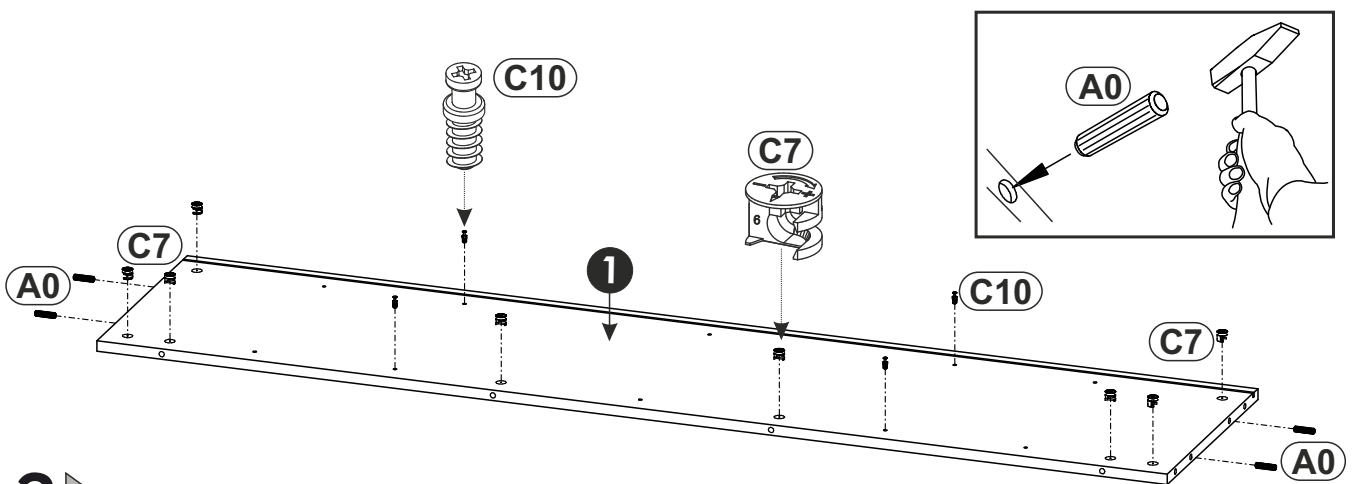


| | | | | | |
|---|------|-----|----|----|-----|
| 1 | 1616 | 376 | 16 | x1 | 1/2 |
| 2 | 1616 | 376 | 16 | x1 | 1/2 |
| 3 | 915 | 350 | 16 | x2 | 2/2 |
| 4 | 915 | 355 | 16 | x2 | 2/2 |
| 5 | 1616 | 90 | 16 | x1 | 1/2 |
| 6 | 426 | 460 | 16 | x4 | 1/2 |
| 7 | 951 | 396 | 22 | x2 | 2/2 |
| 8 | 1626 | 925 | 3 | x1 | 1/2 |
| 9 | 750 | 410 | 5 | x1 | 1/2 |
| 10 | 750 | 426 | 5 | x1 | 1/2 |
| 11 | 914 | 340 | 6 | x1 | 2/2 |
|  | | | | | 2/2 |






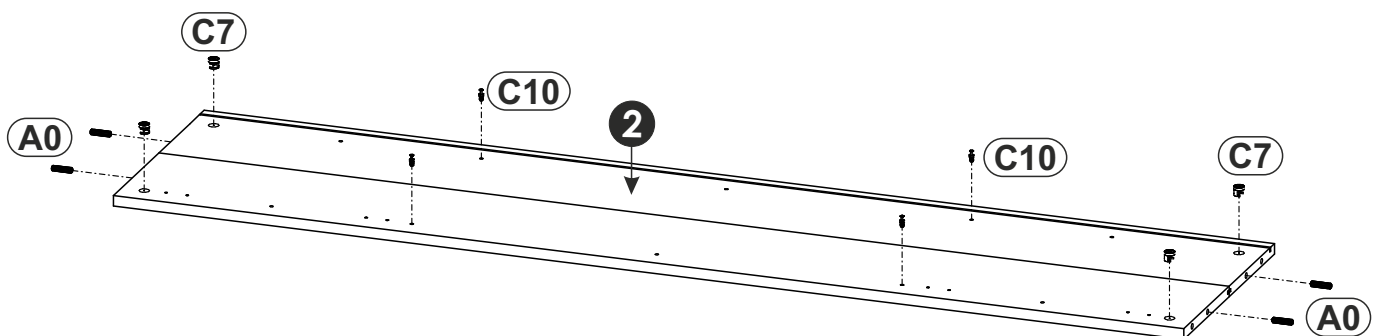
1 ▶

| | | |
|---|---|---|
| <p>A0 8 x 30mm x4</p>  | <p>C7 16mm x8</p>  | <p>C10 6,3 x 20 mm x4</p>  |
|---|---|---|

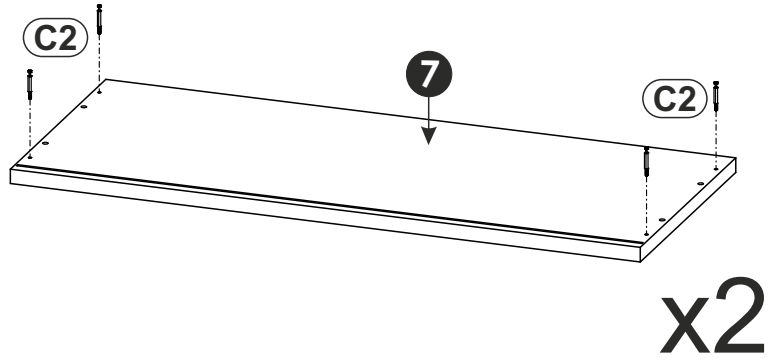
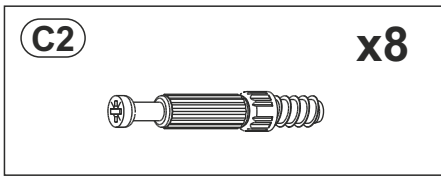


2 ▶

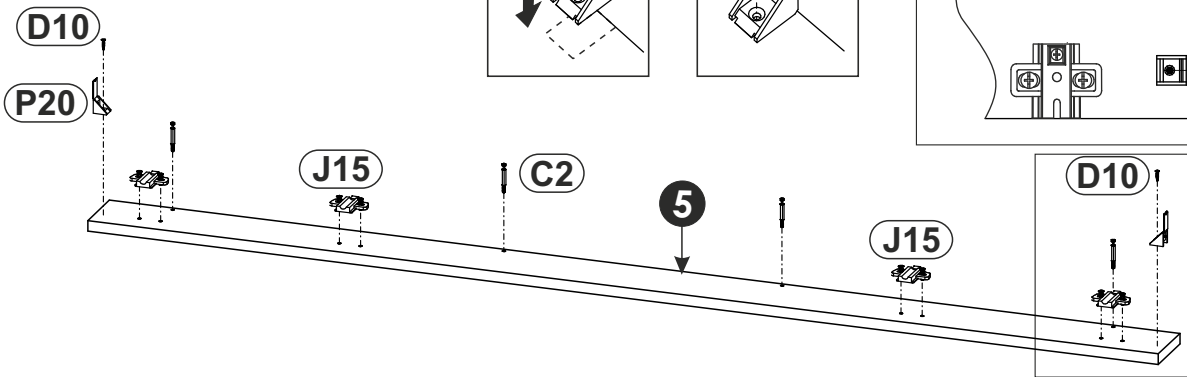
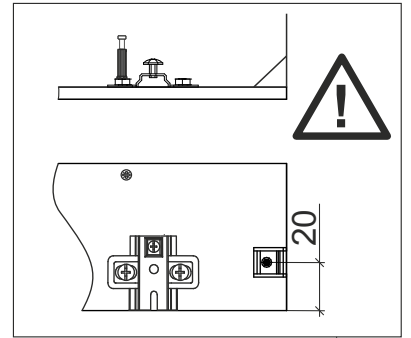
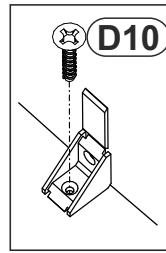
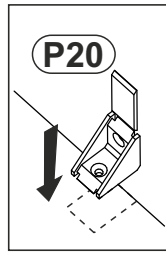
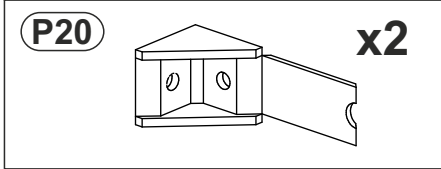
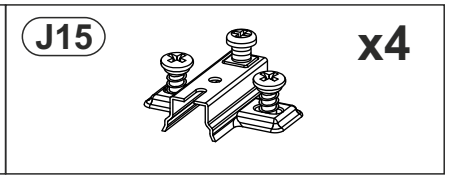
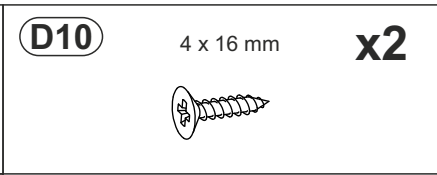
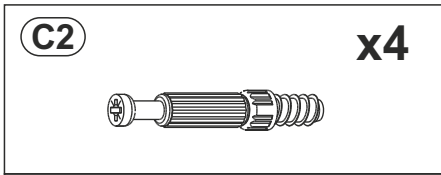
| | | |
|---|---|---|
| <p>A0 8 x 30mm x4</p>  | <p>C7 16mm x4</p>  | <p>C10 6,3 x 20 mm x4</p>  |
|---|---|---|



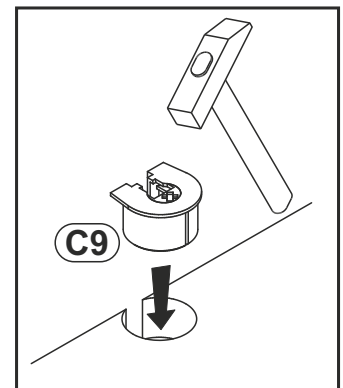
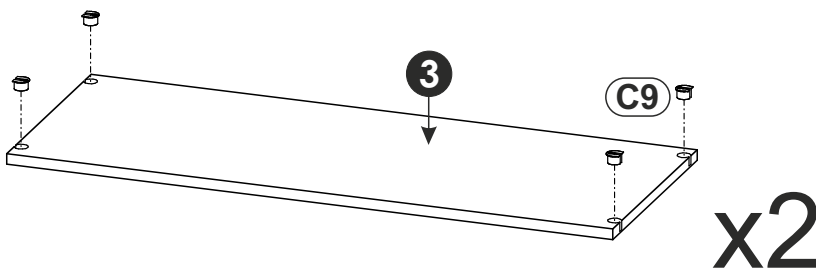
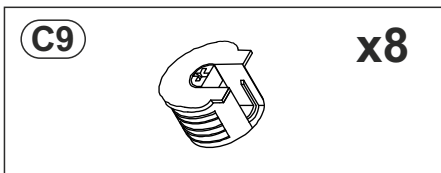
3 ▶



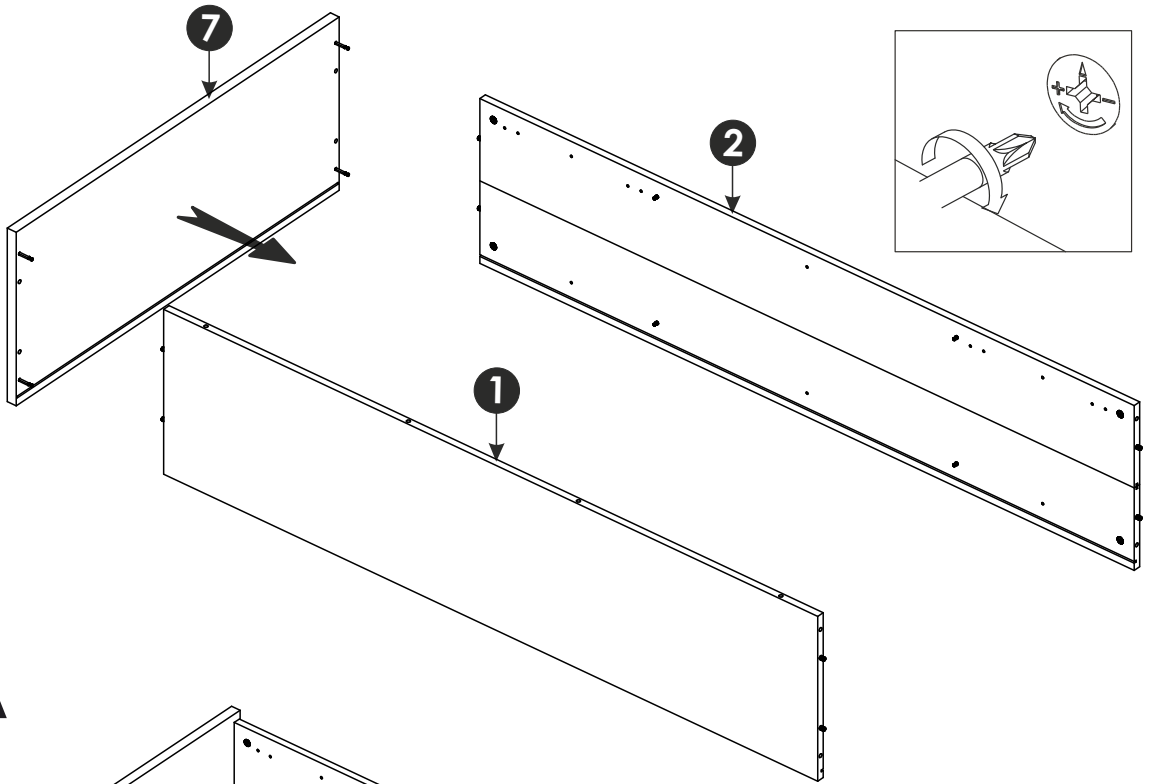
4 ▶



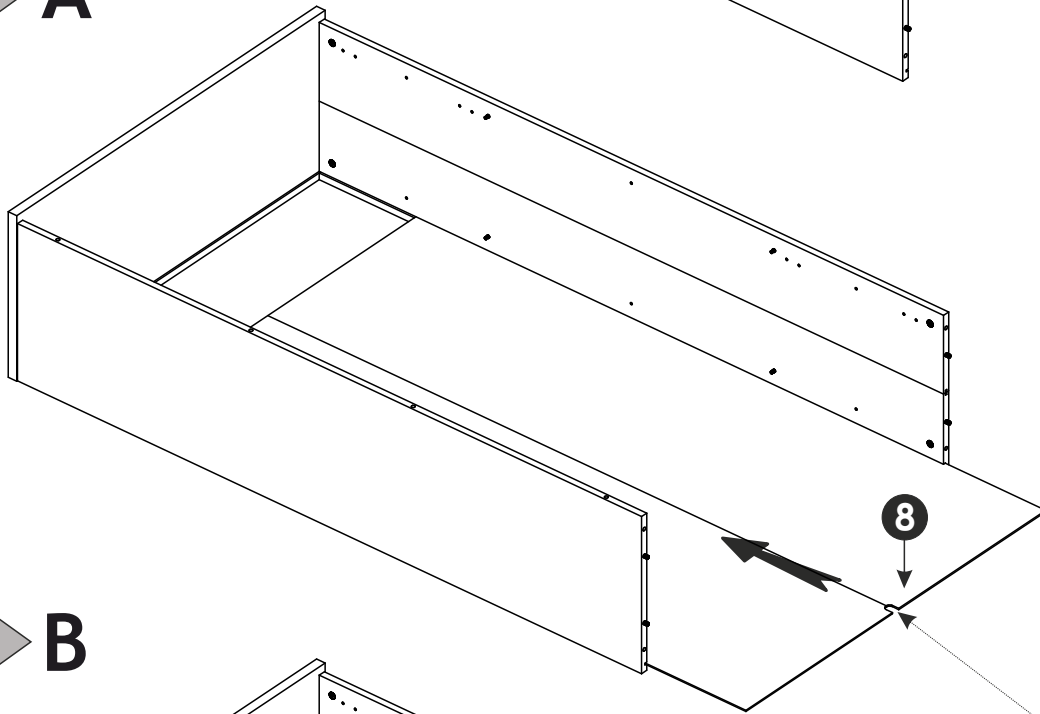
5 ▶



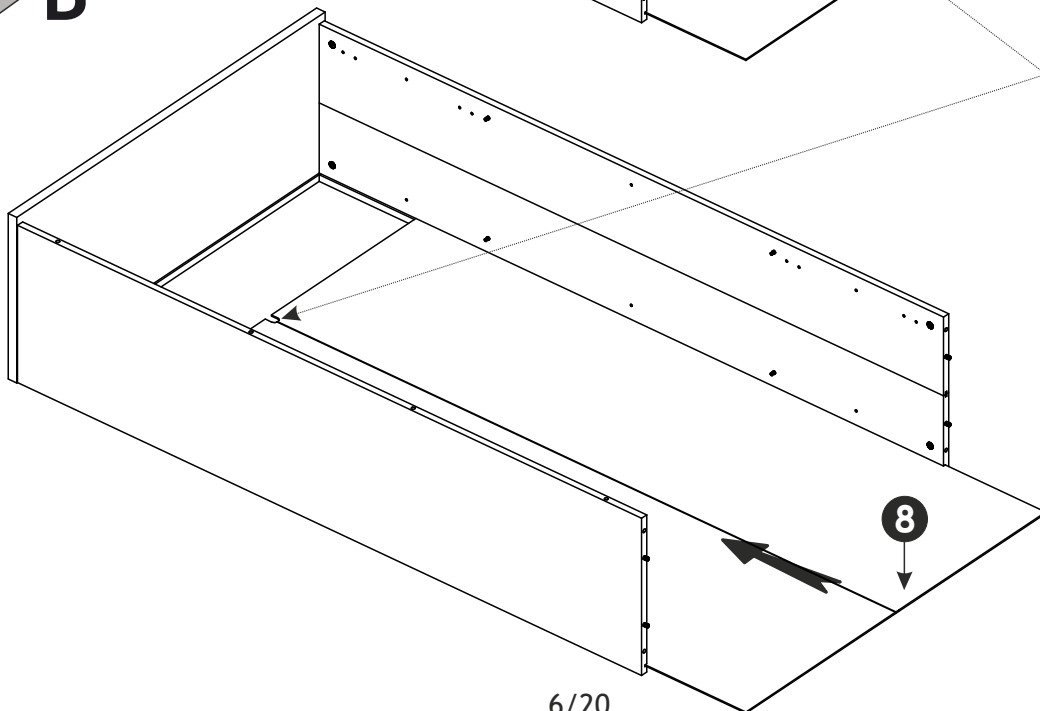
6 ▶



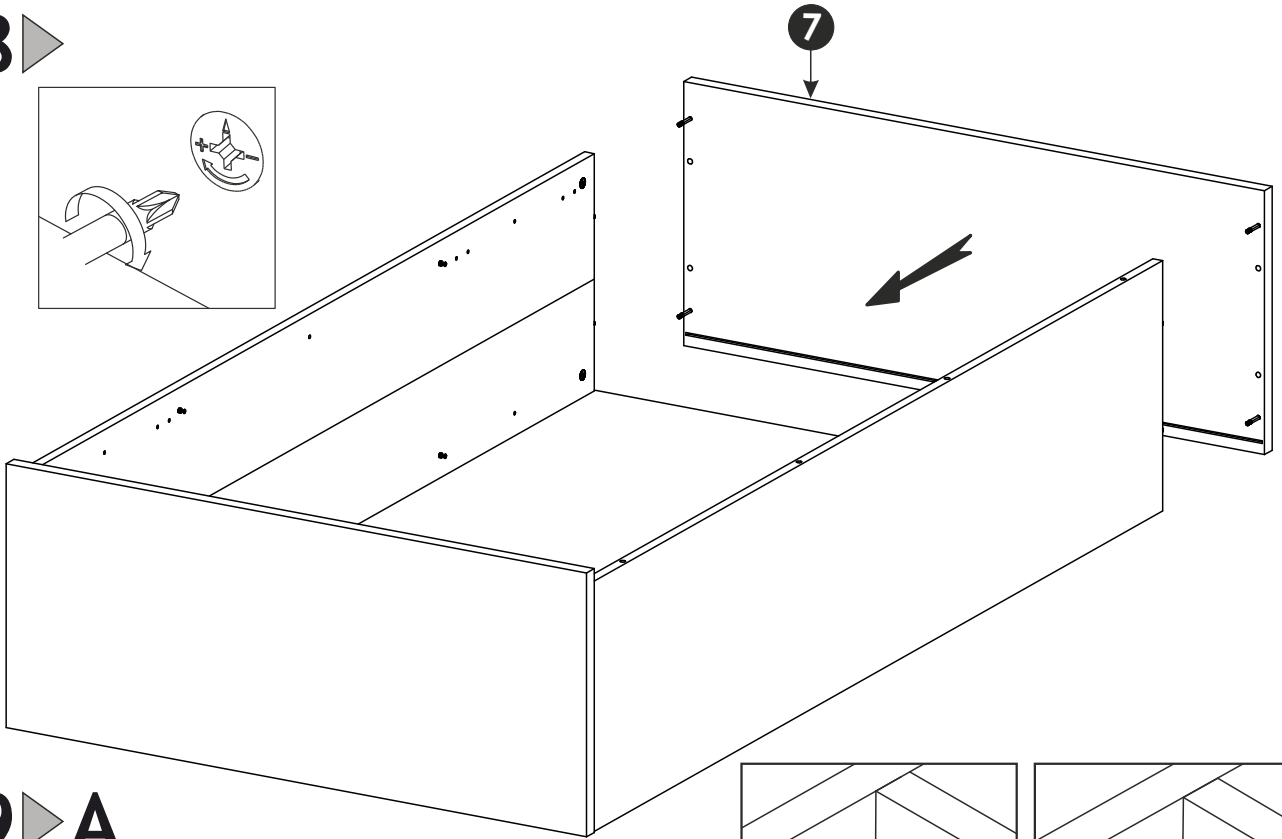
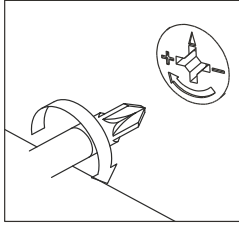
7 ▶ A



7 ▶ B

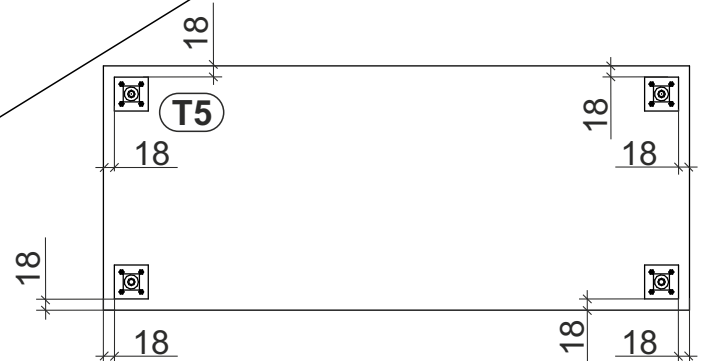
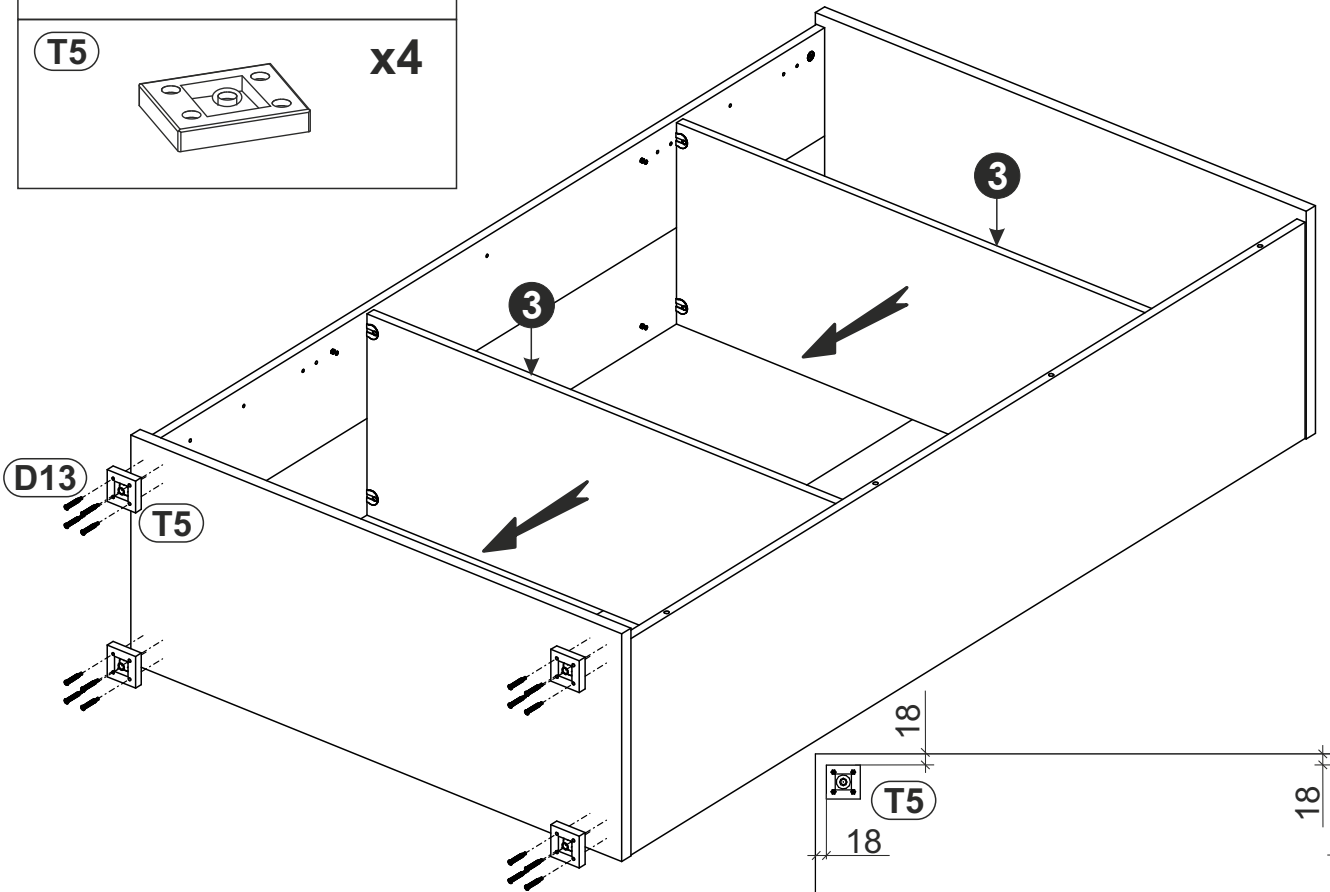
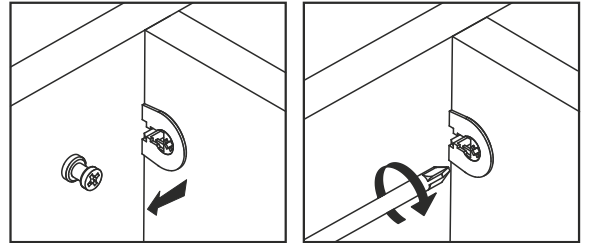


8 ▶


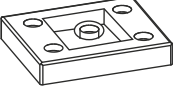


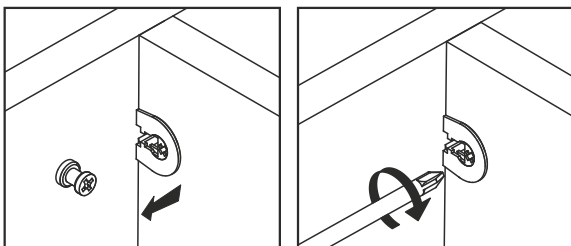
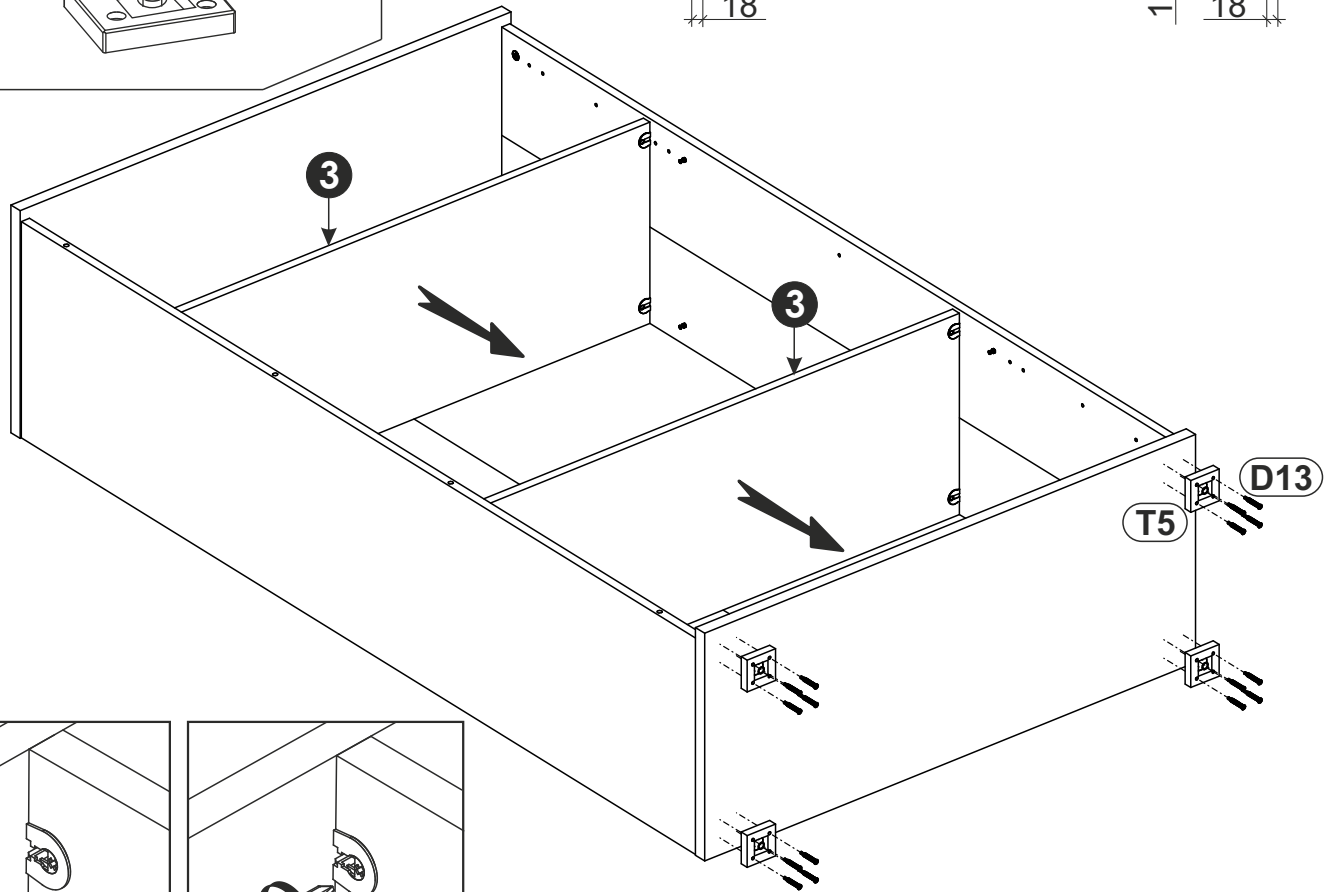
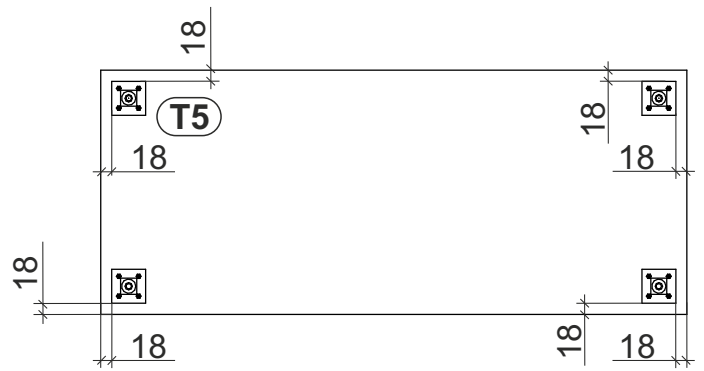
9 ▶ A

| | | |
|------------|-----------|------------|
| D12 | 4 x 25 mm | x16 |
| | | |
| T5 | | x4 |
| | | |

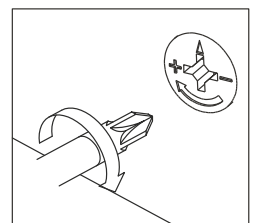
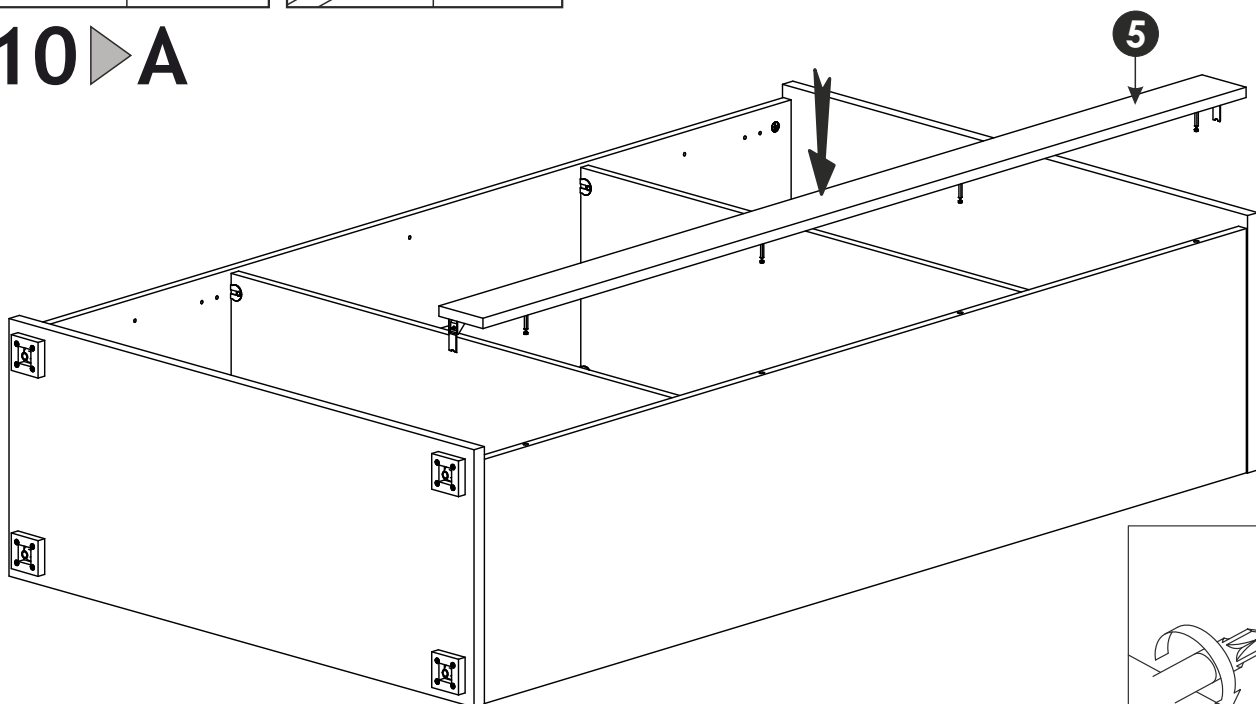


9 ▶ B

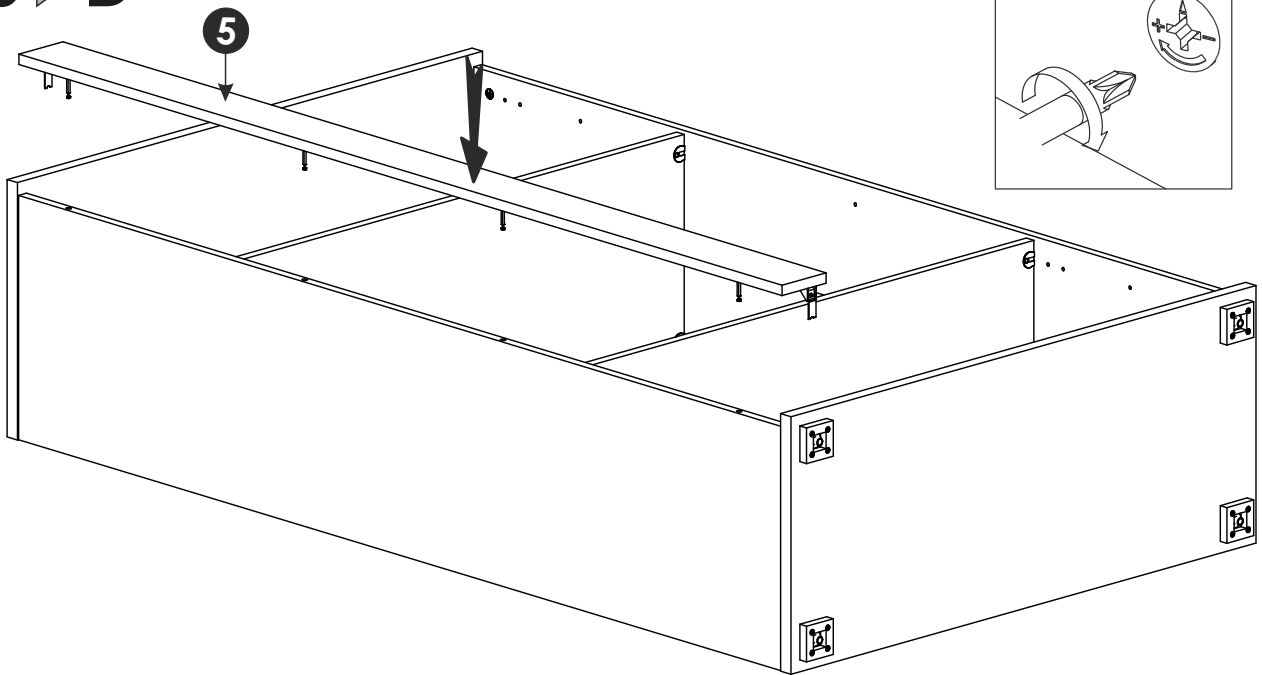
| | | |
|---|-----------|------------|
| D12 | 4 x 25 mm | x16 |
|  | | |
| T5 | | x4 |
|  | | |



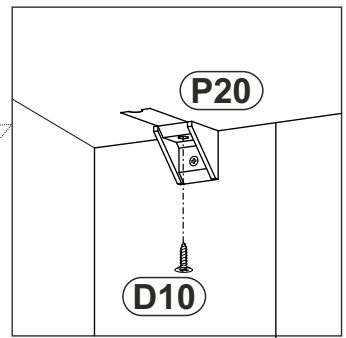
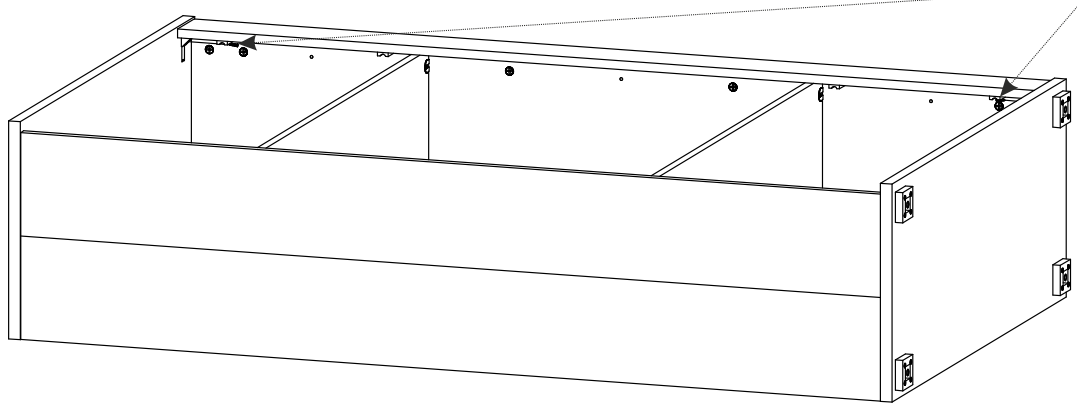
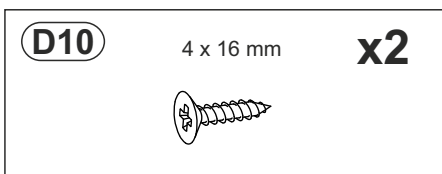
10 ▶ A



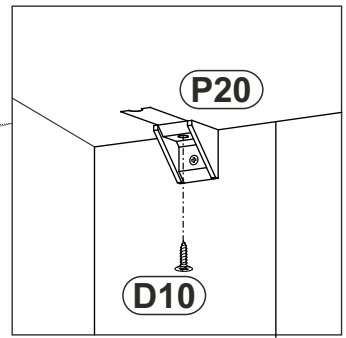
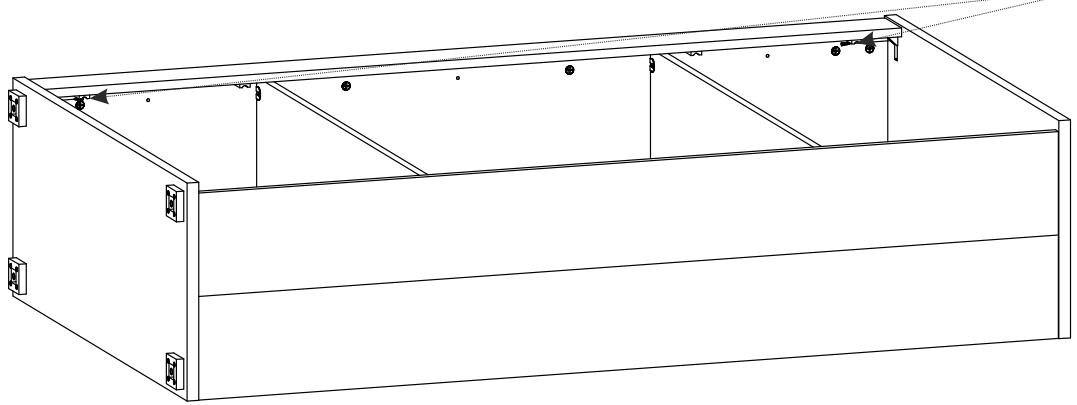
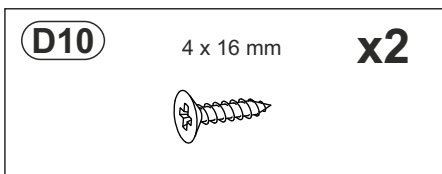
10 ▶ B




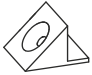
11 ▶ A

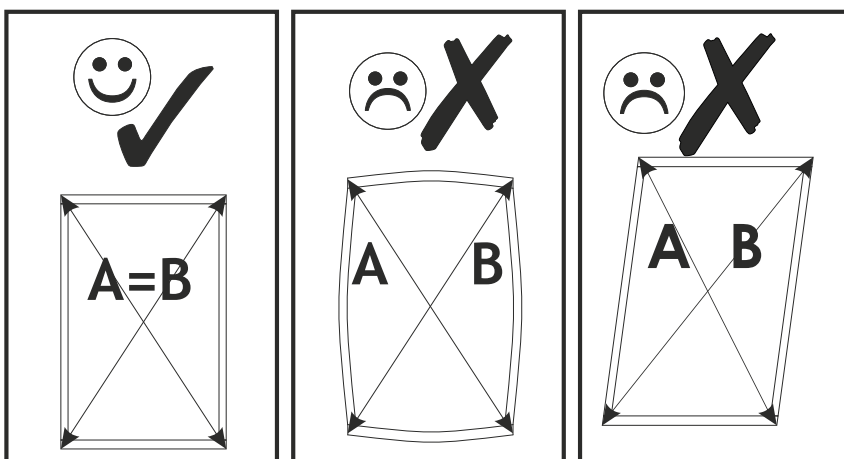
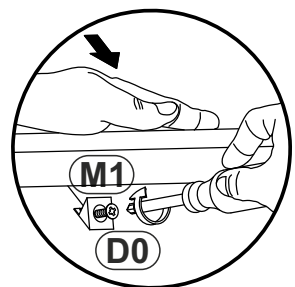
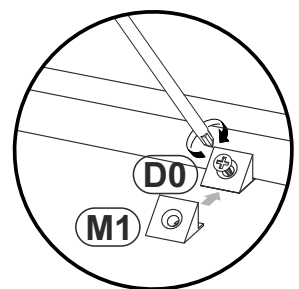
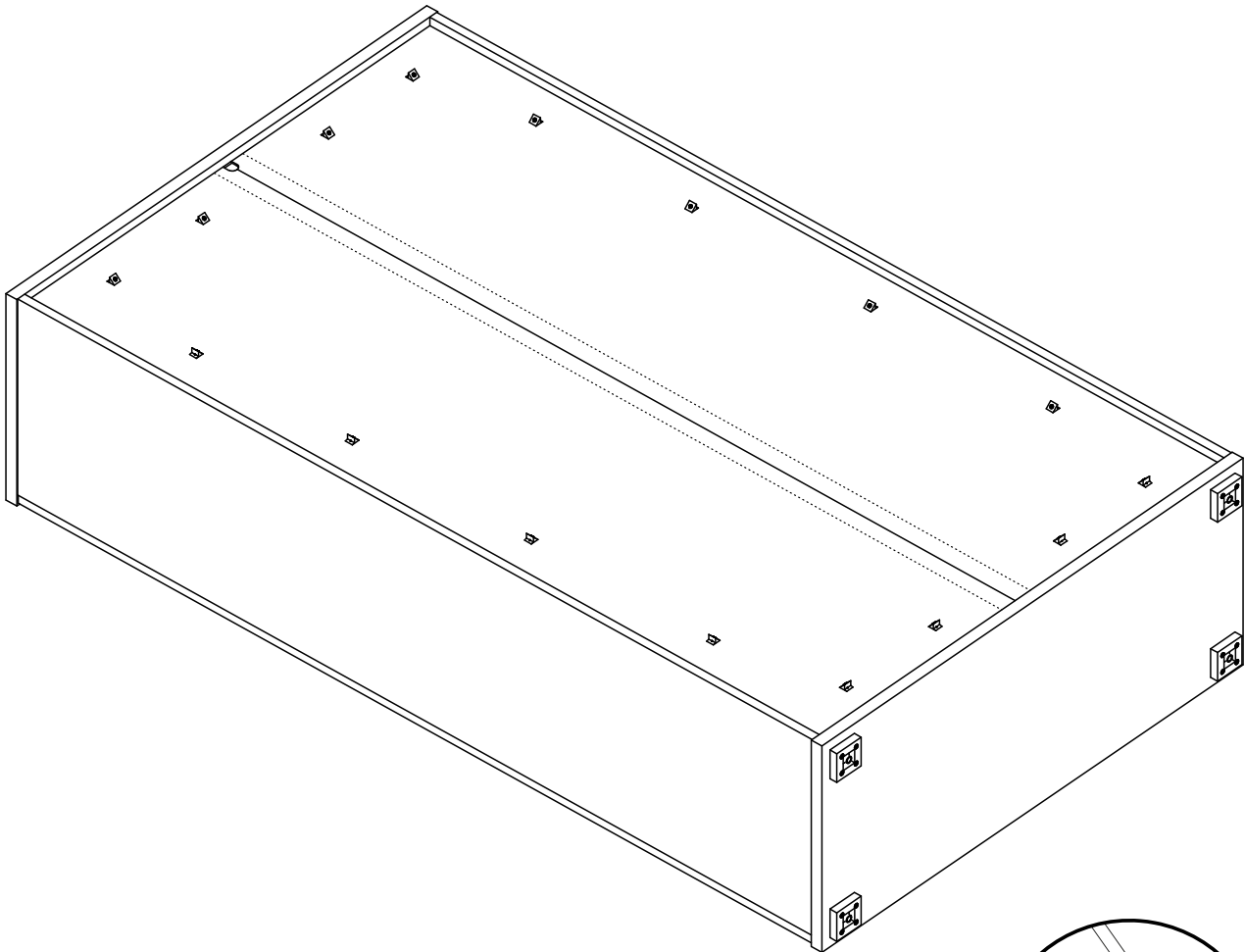


11 ▶ B

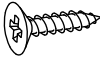
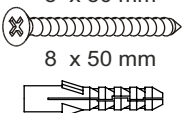
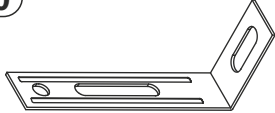


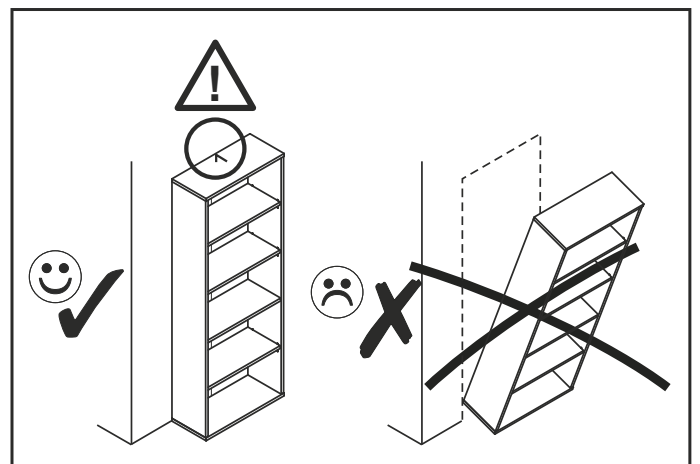
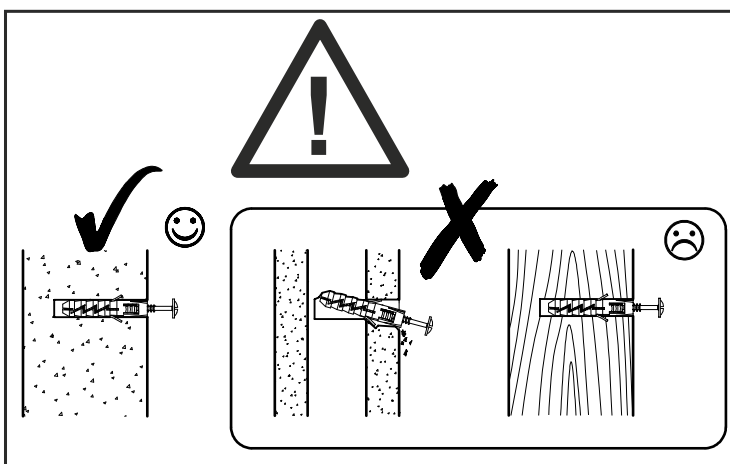
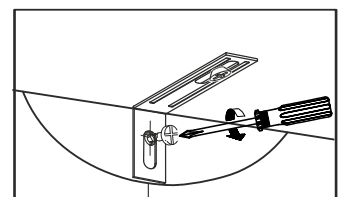
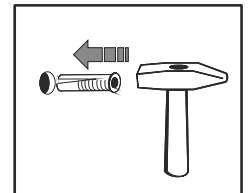
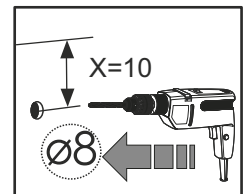
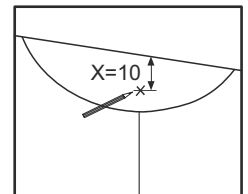
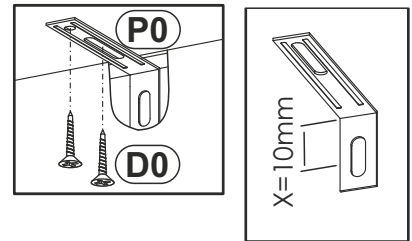
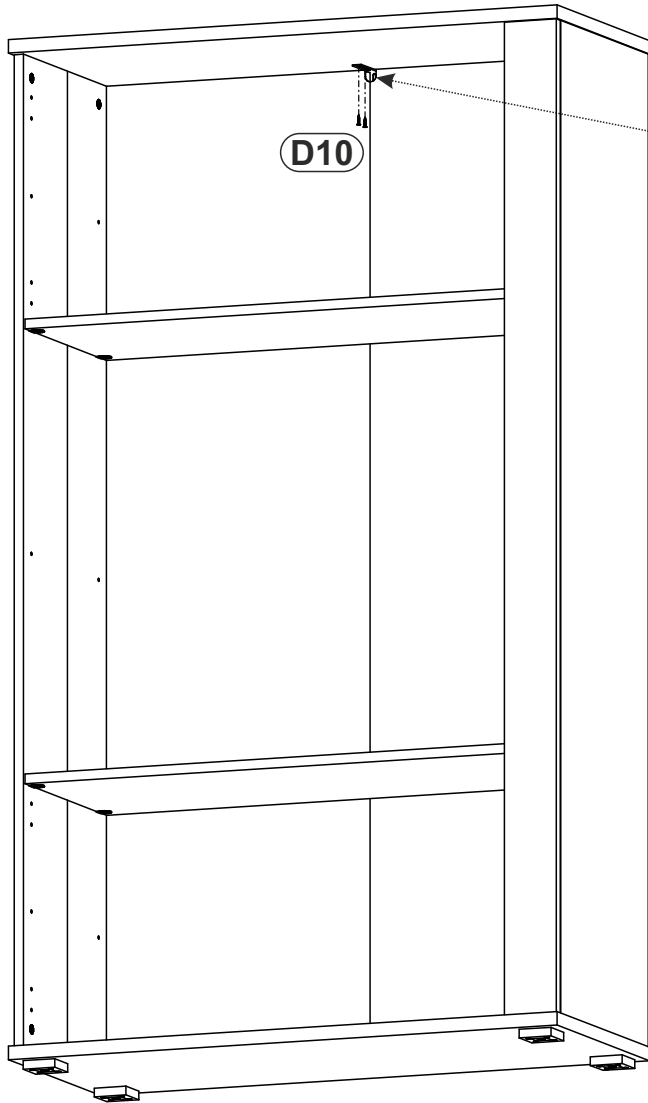
12 ▶

| | | | |
|---|------------|--|------------|
| (D0) 3 x 15 mm  | x16 | (M1)  | x16 |
|---|------------|--|------------|

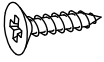
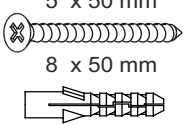
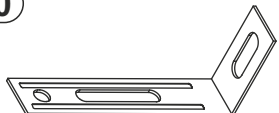


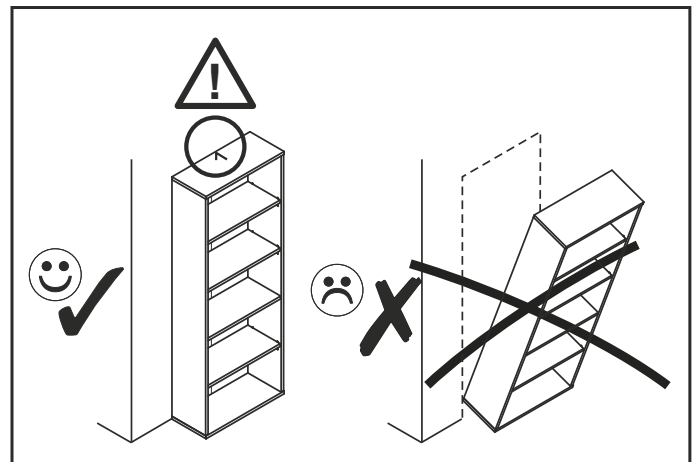
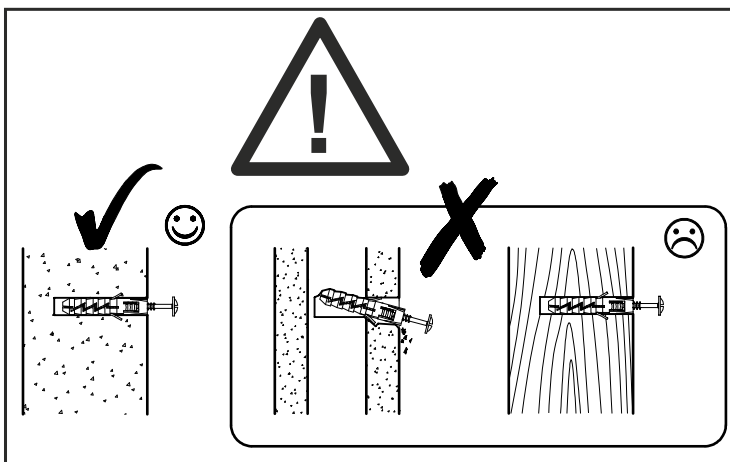
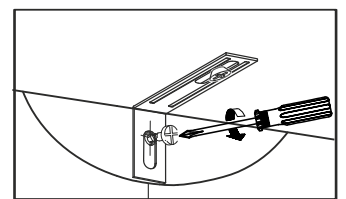
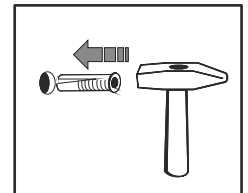
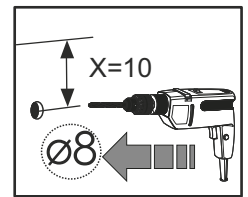
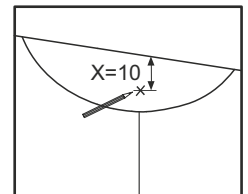
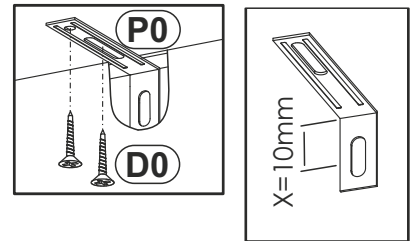
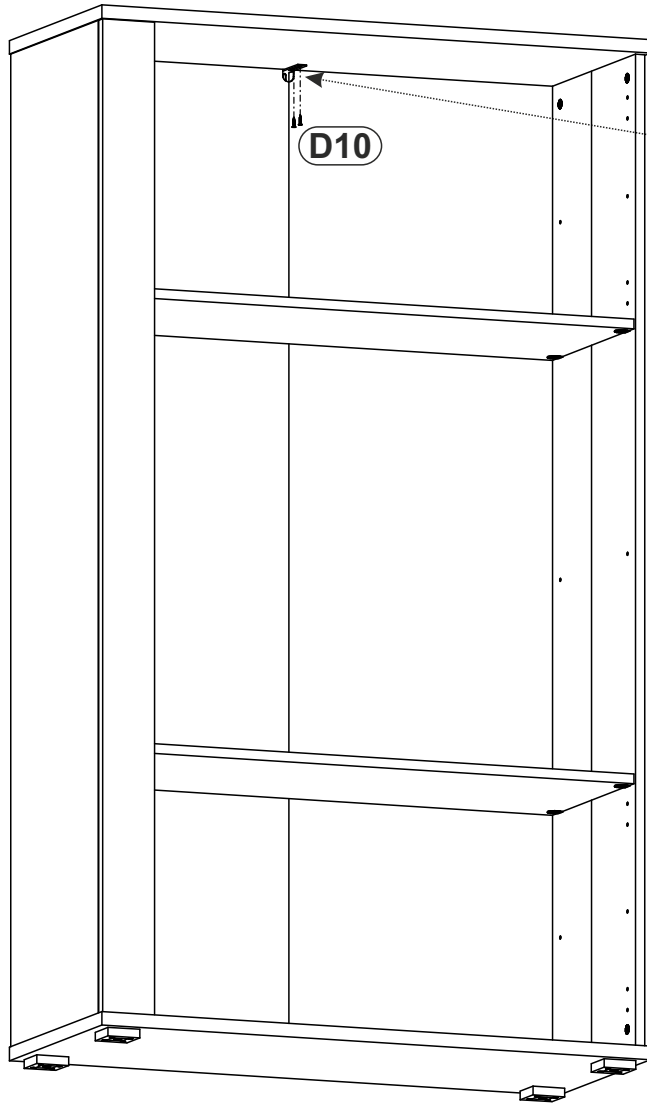
13 ▶ A

| | | |
|---|--|--|
| <p>D10 4 x 16 mm x2</p>  | <p>E0 5 x 50 mm x1 8 x 50 mm</p>  | <p>P0 x1</p>  |
|---|--|--|

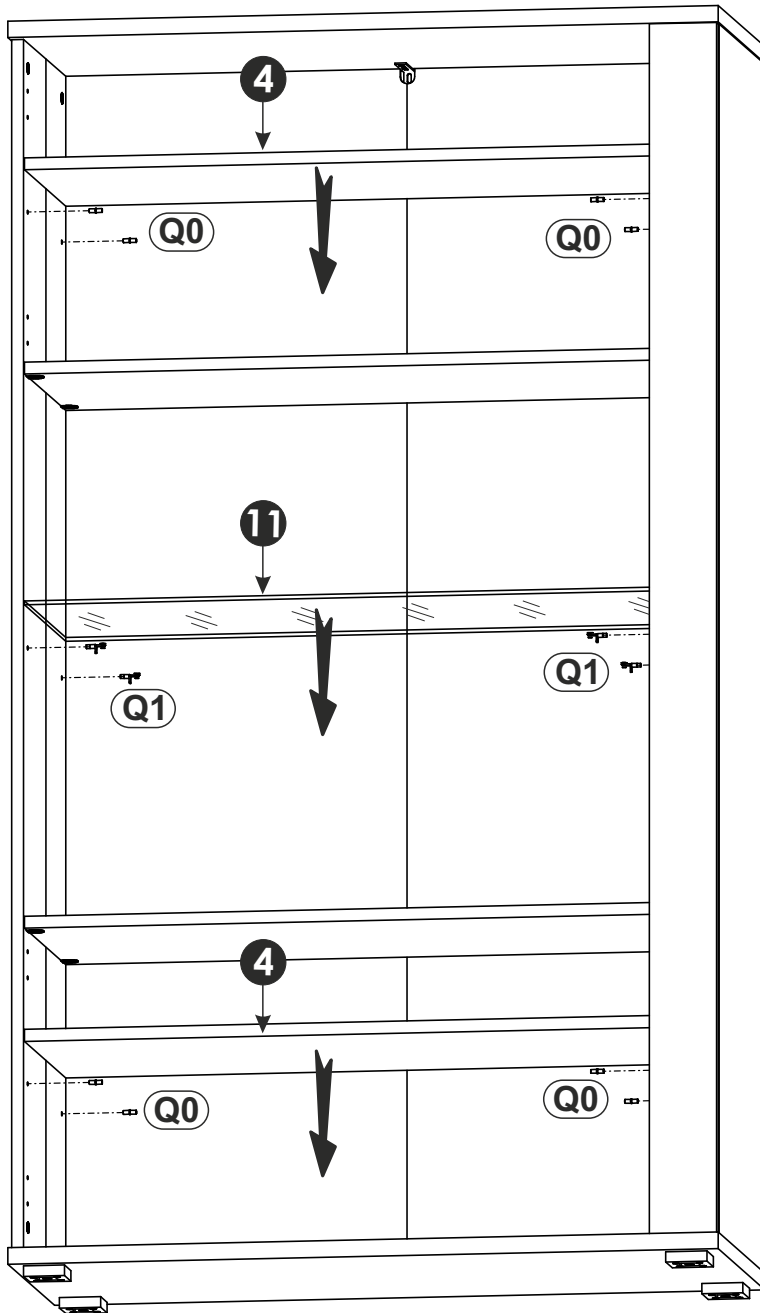
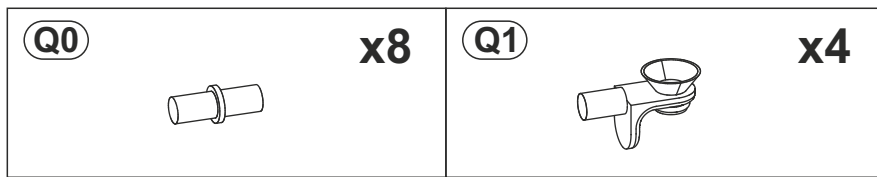


13 ▶ B

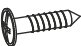

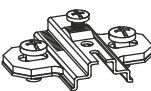
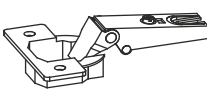


| | | |
|---|--|--|
| <p>D10 4 x 16 mm x2</p>  | <p>E0 5 x 50 mm x1 8 x 50 mm</p>  | <p>P0 x1</p>  |
|---|--|--|

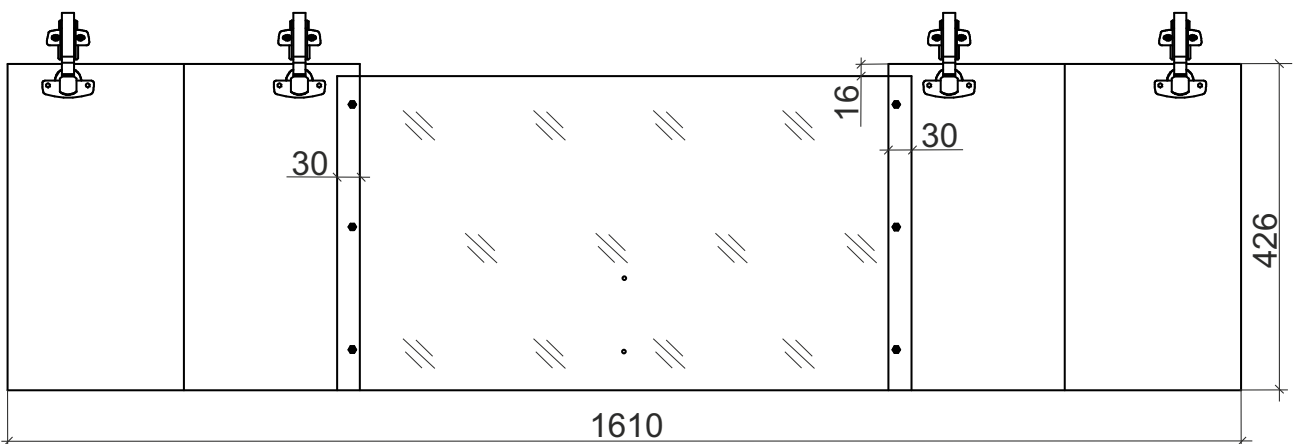
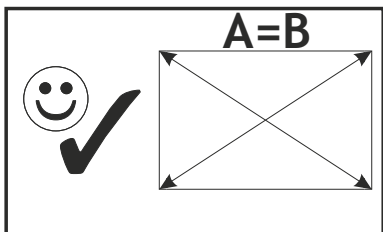
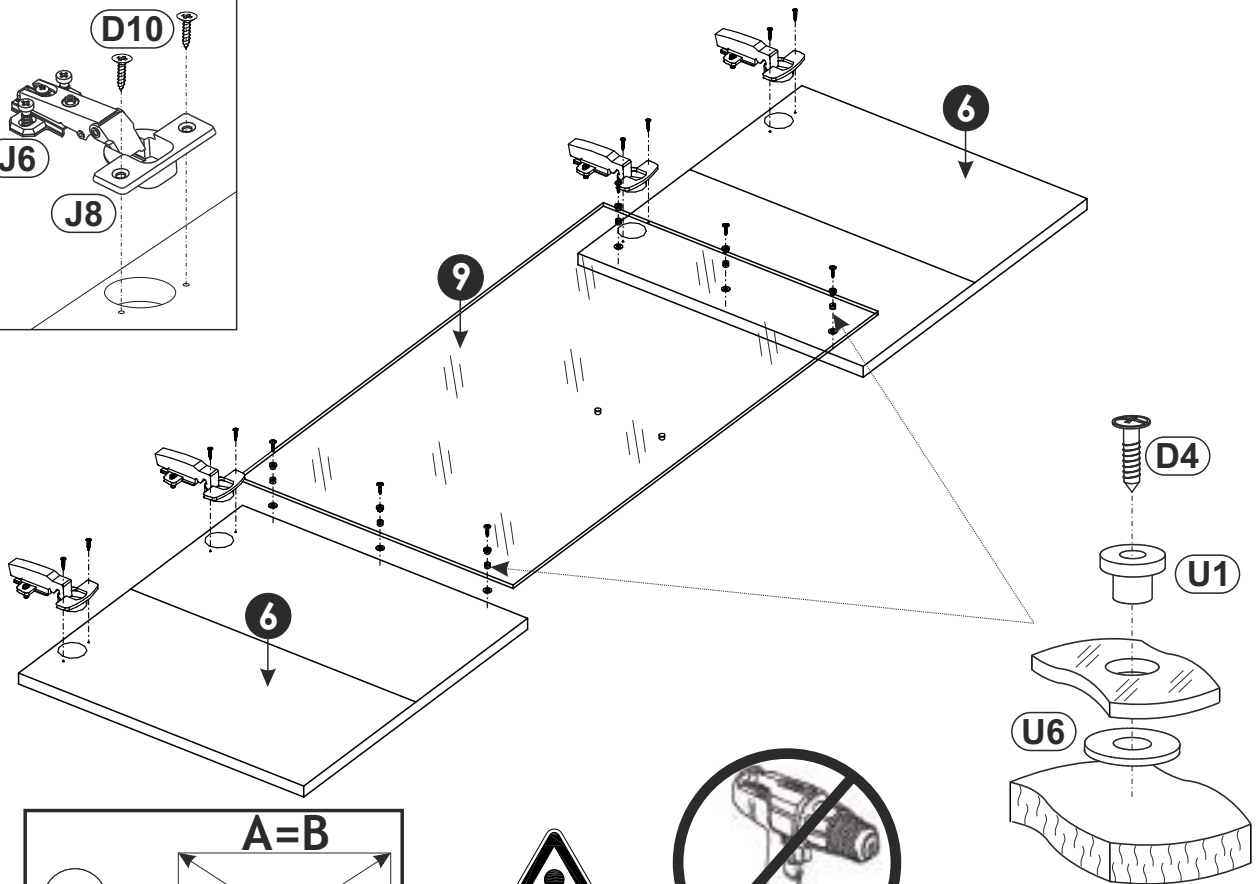
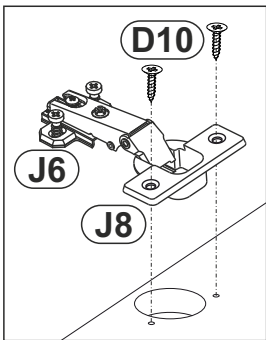


14 ▶

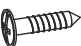

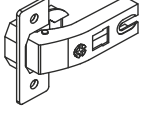




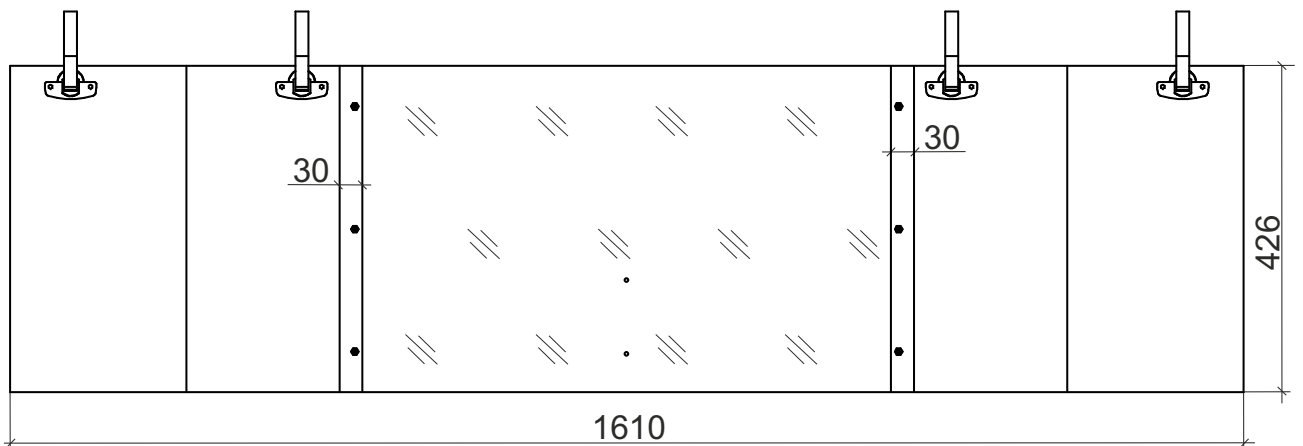
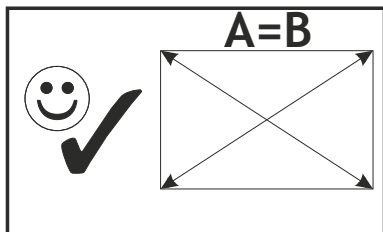
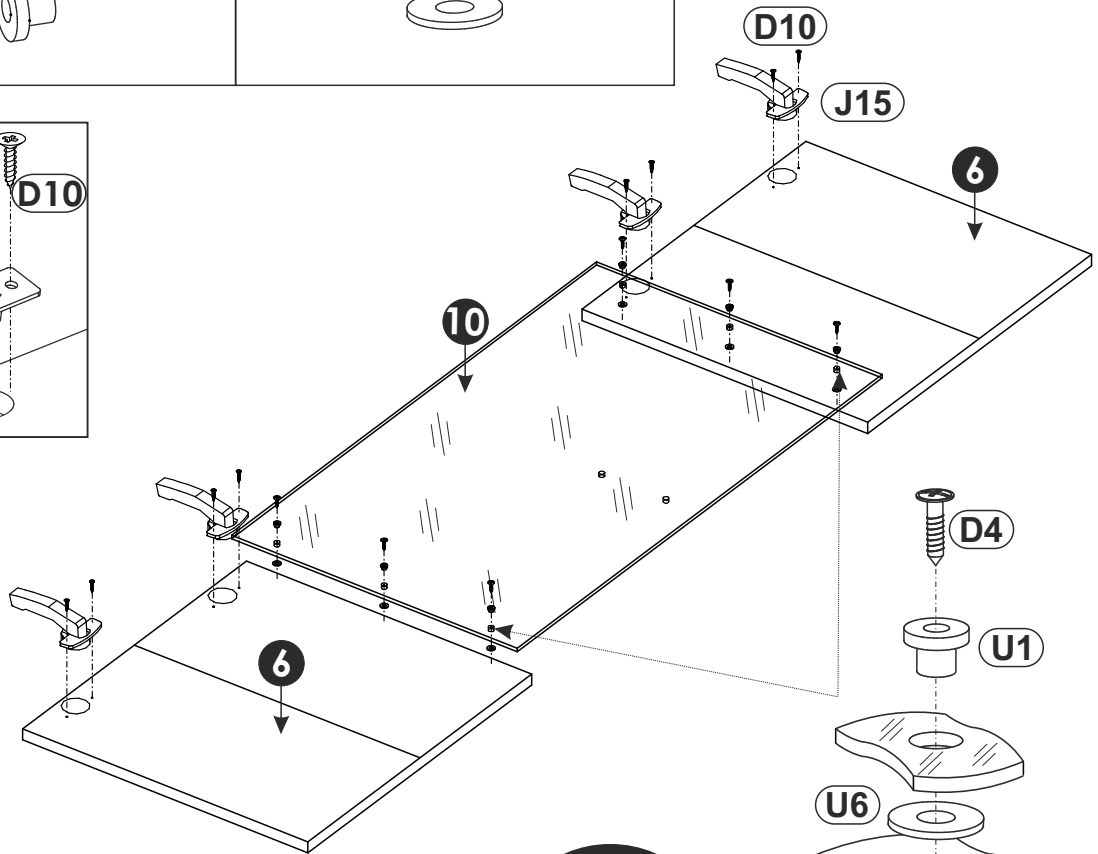
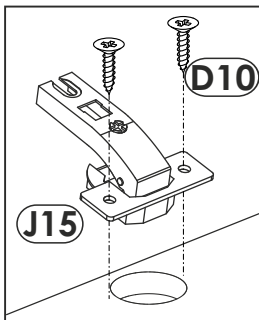
15 ▶

| | | | | | |
|---|-----------|--|-----------|--|-----------|
| D4 3,5 x 18 mm  | x6 | D10 4 x 16 mm  | x8 | J6  | x4 |
| J8  | x4 | U1  | x6 | U6  | x6 |


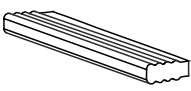
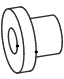


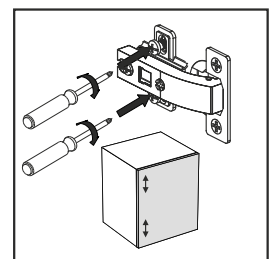
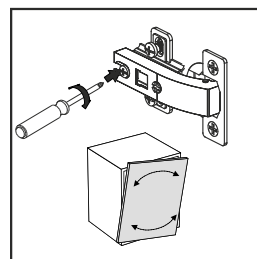
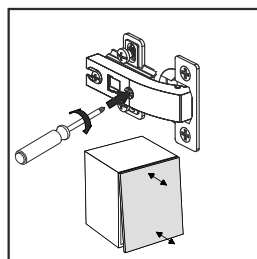
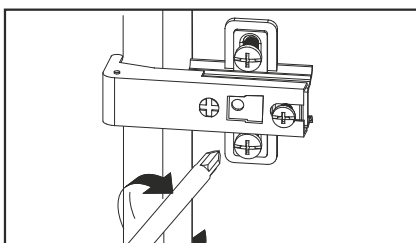
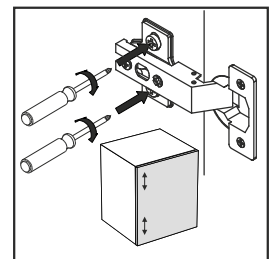
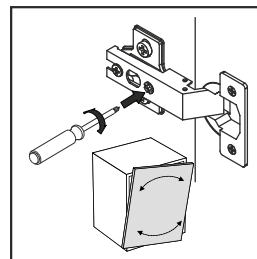
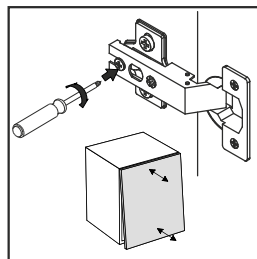
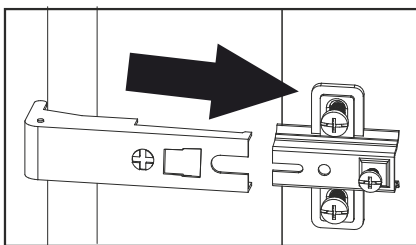
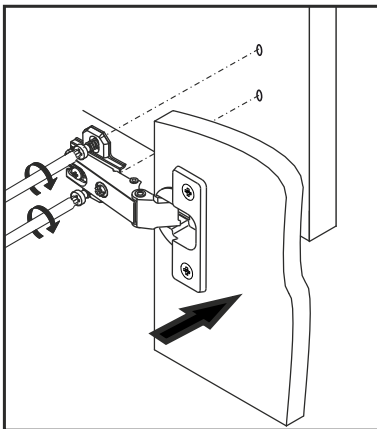
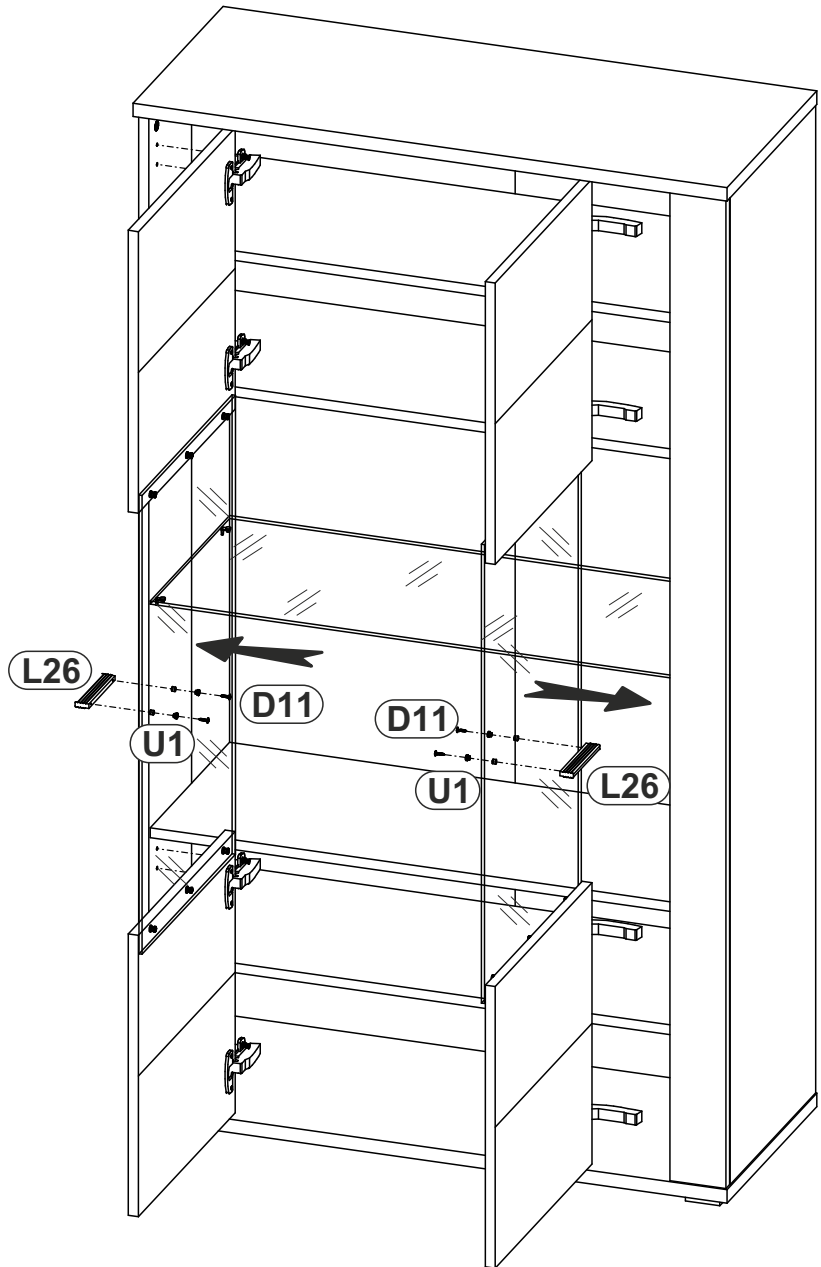
16 ▶

| | | | | | |
|---|-----------|--|-----------|---|-----------|
| D4 3,5 x 18 mm  | x6 | D10 4 x 16 mm  | x8 | J15  | x4 |
| U1  | x6 | U6  | x6 | | |





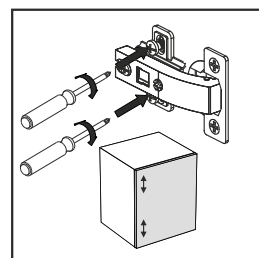
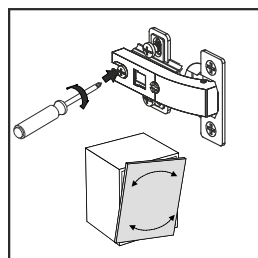
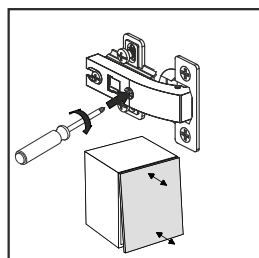
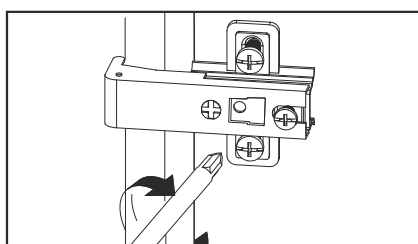
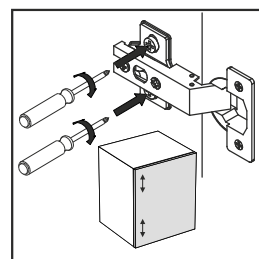
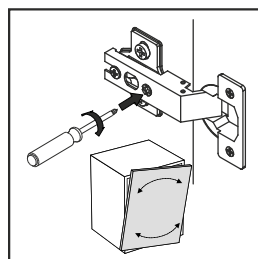
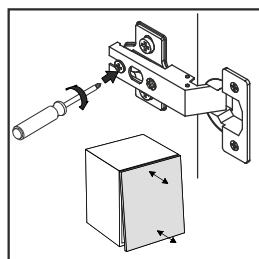
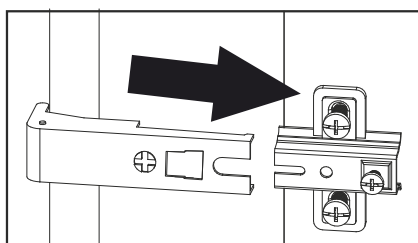
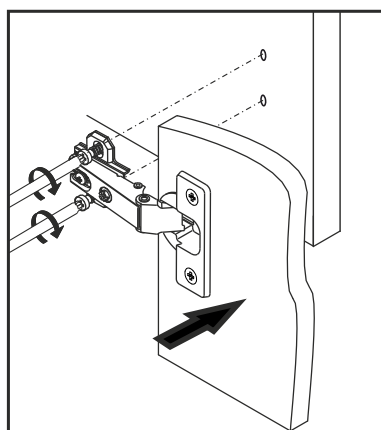
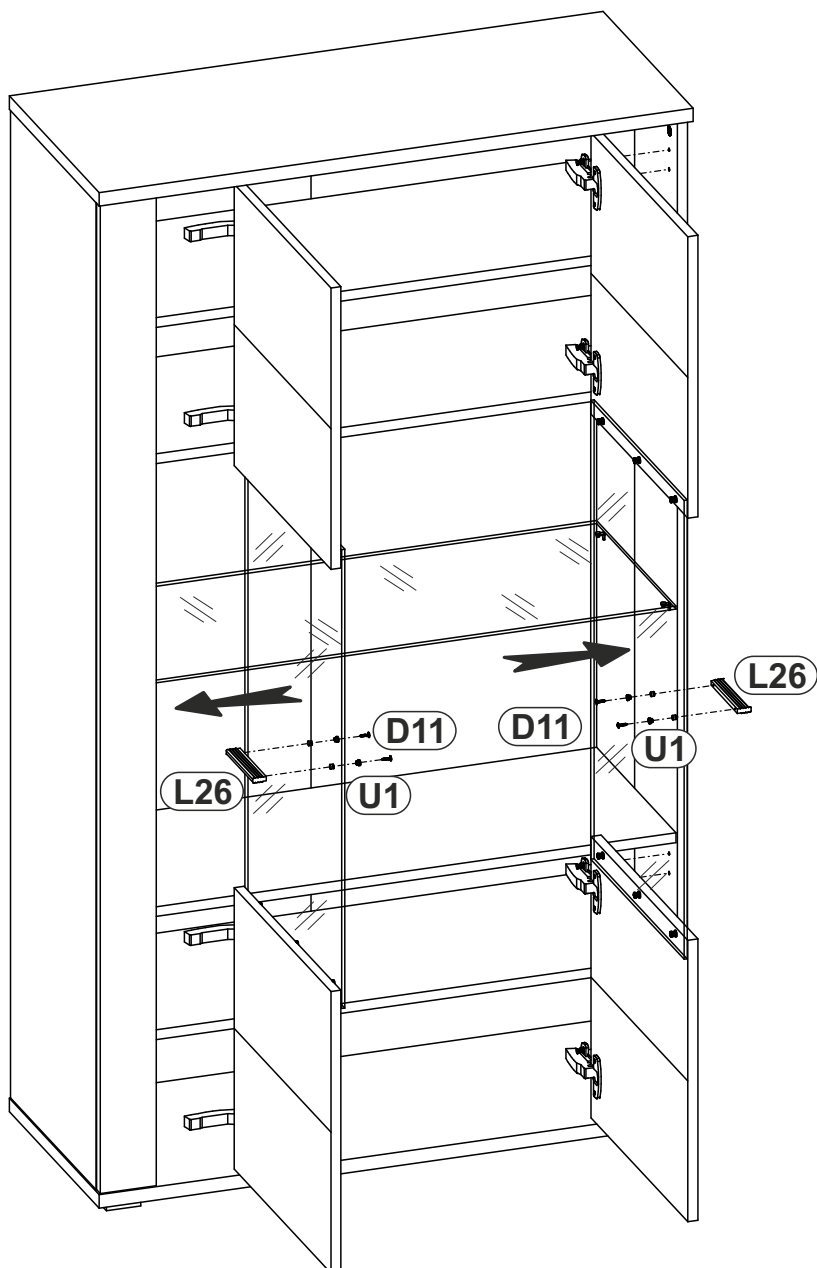
17▶A

| | | |
|---|-----------|-----------|
| D11 | 4 x 20 mm | x4 |
|  | | |
| L26 | | x2 |
|  | | |
| U1 | | x4 |
|  | | |

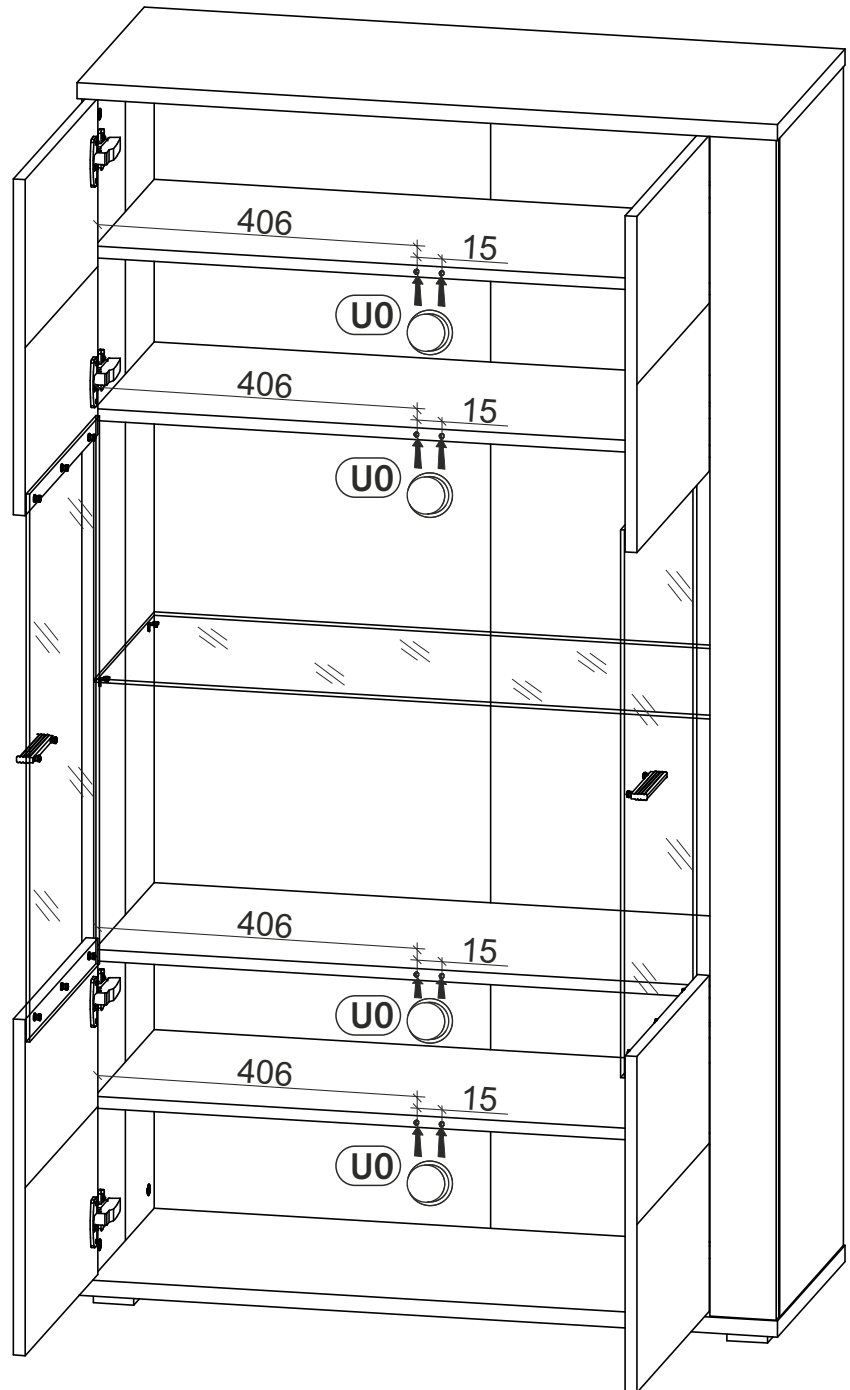
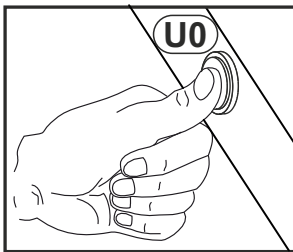
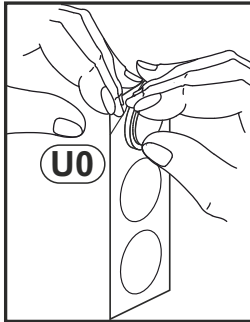
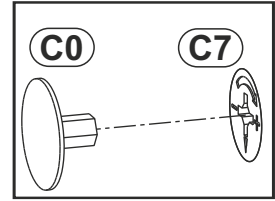
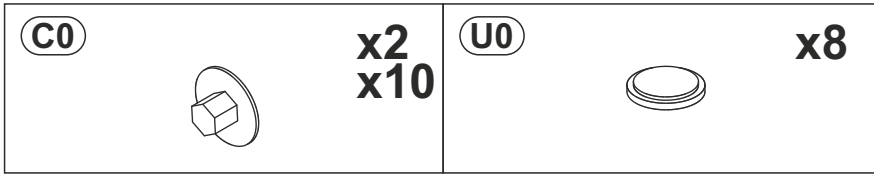


17 ▶ B

| | | |
|------------|---|-----------|
| D11 | 4 x 20 mm | x4 |
| L26 |  | x2 |
| U1 |  | x4 |



18 ▶ A



18 ▶ B

