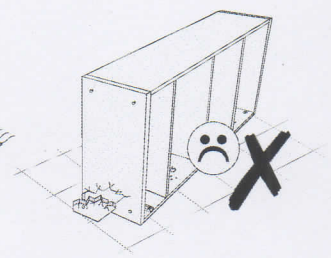
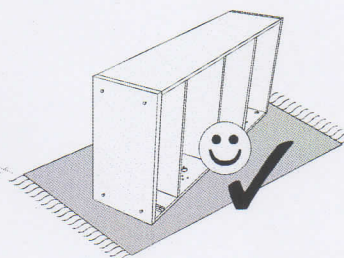
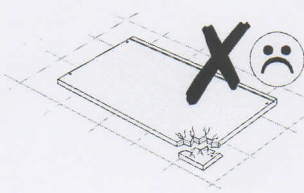
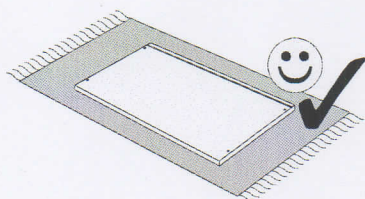
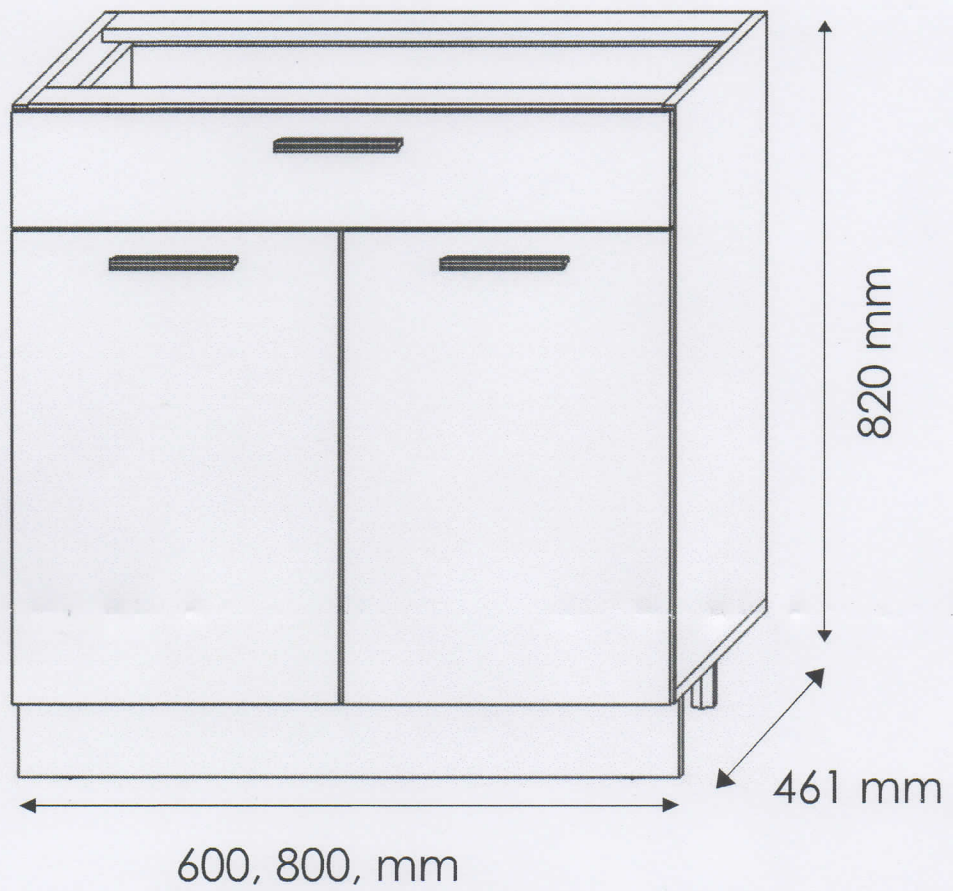
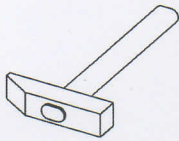
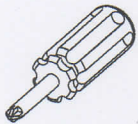
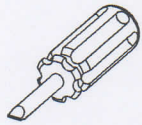
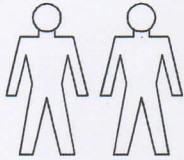
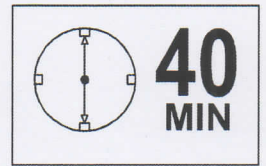


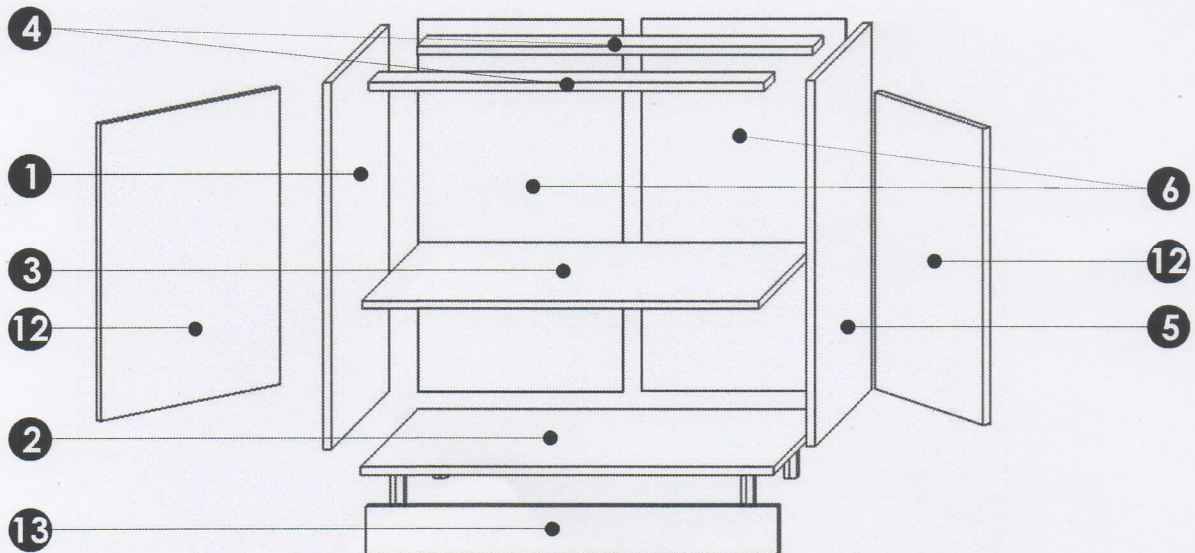
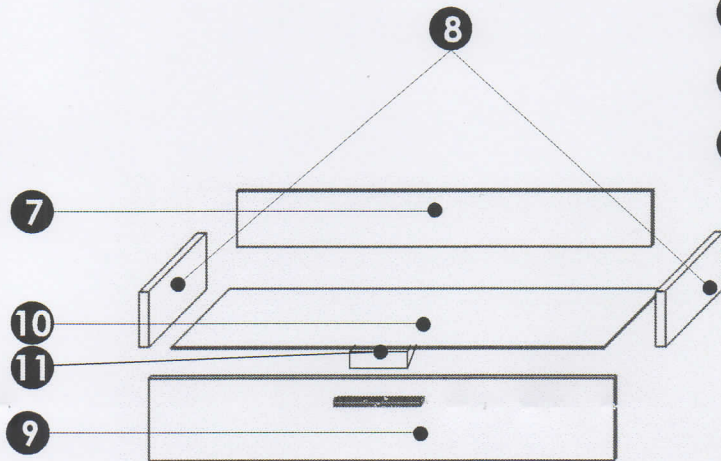
600,800 lower cabinet















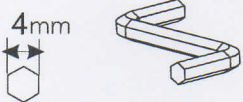
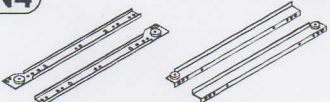




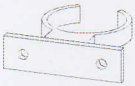
600,800 lower cabinet

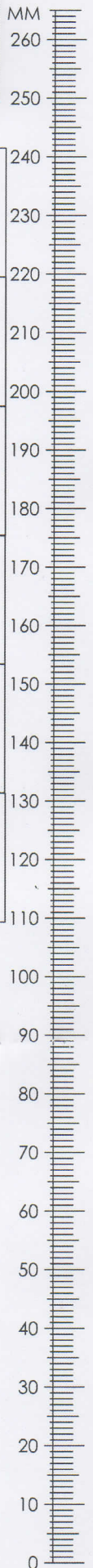


	600	800			
①	704x445	704x445	16	x1	1/1
②	600x445	800x445	16	x1	1/1
③	567x445	767x445	16	x1	1/1
④	567x80	767x80	16	x2	1/1
⑤	704x445	704x445	16	x1	1/1
⑥	715x297	715x397	3	x2	1/1
⑦	509x80	709x80	16	x1	1/1
⑧	400x80	400x80	16	x2	1/1
⑨	596x140	796x140	16	x1	1/1
⑩	405x540	405x740	3	x1	1/1
⑪	400x80	400x80	16	x1	1/1
⑫	296x570	396x570	16	x2	1/1
⑬	599x95	599x95	16	x1	1/1
					1/1

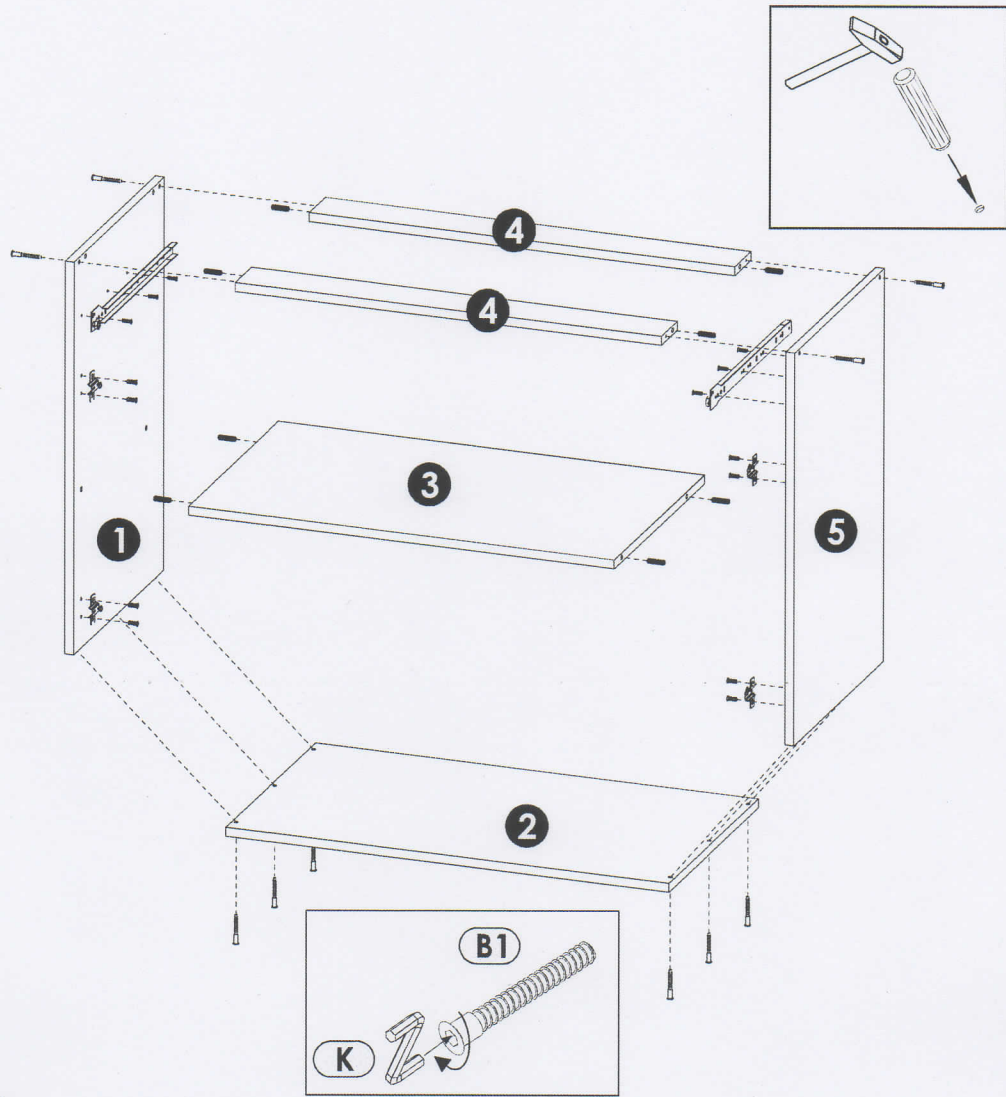


600,800 lower cabinet

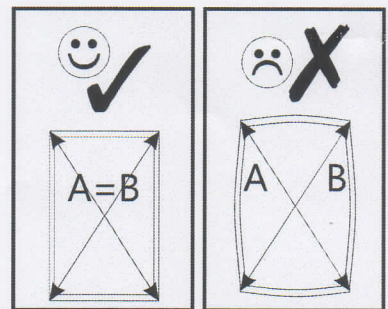
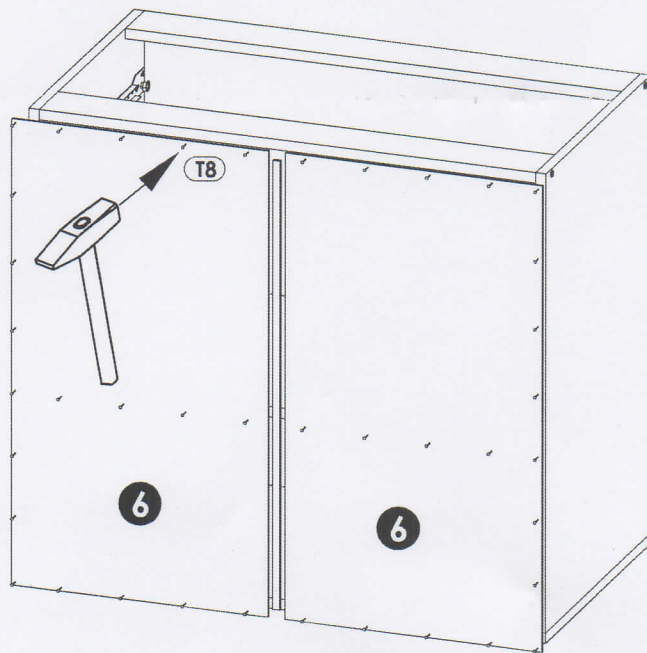
A0 8 x 32mm x14 	B1 f 7 x 50 mm x12 	B0 x2 
D0 3 x 15 mm x6 	D2 3 x 30 mm x4 	D10 4 x 16 mm x34 
D14 4 x 35 mm x2 	D16 4.2 x 28 mm x6 	D21 5 x 13 mm x6 
D31 6.3 x 13 mm x8 	I3 d 26mm x4 	I1 x4 
K 4mm x1 	N4 L-400 x1 	T8 x80 
x3 	x1  L-688mm.	x4 
x4 		



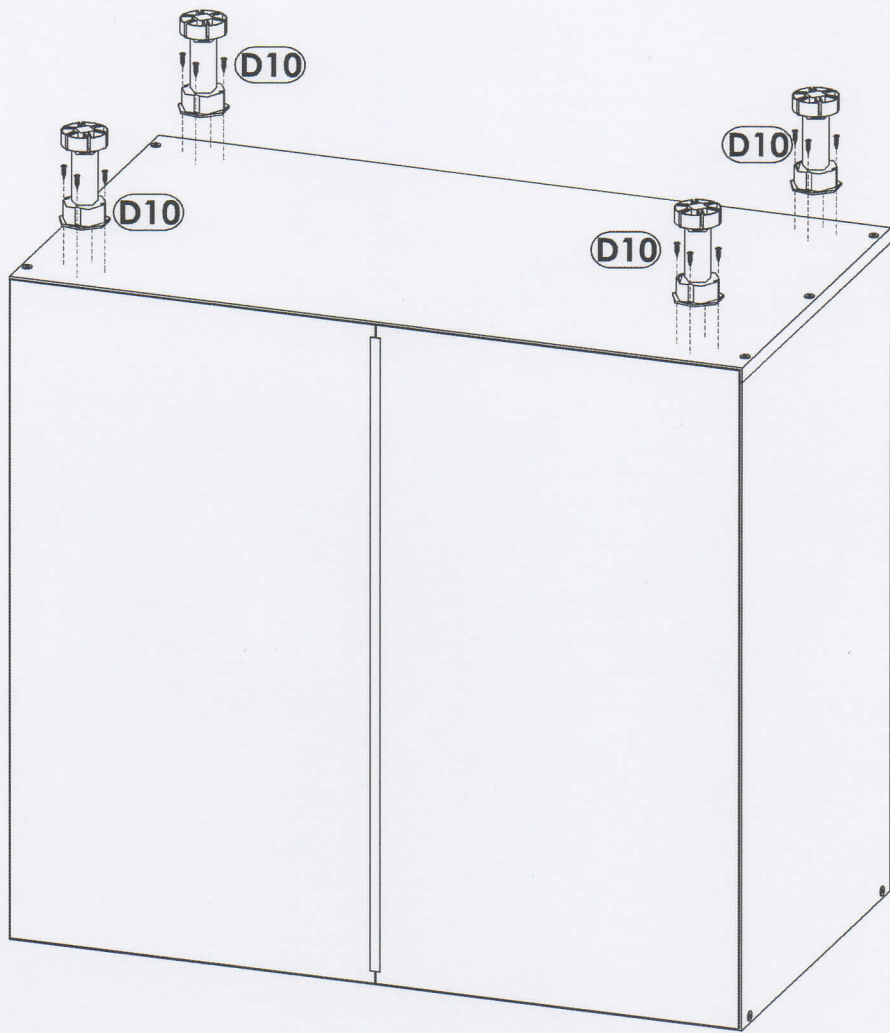
1 ▶



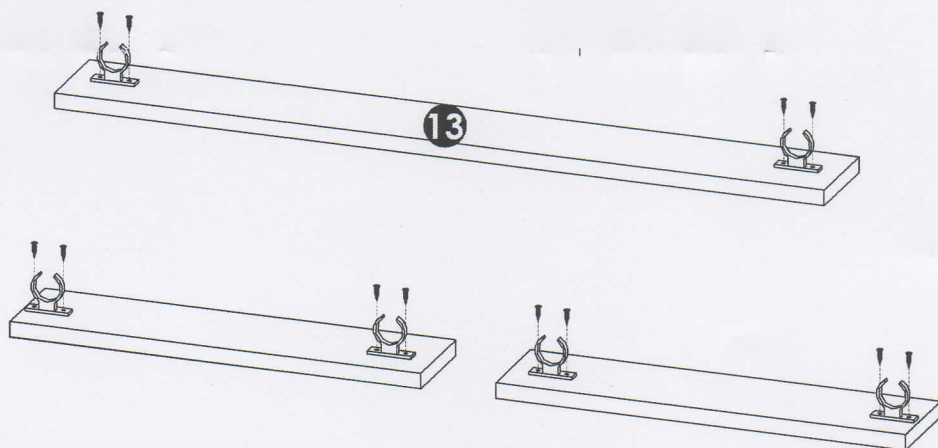
2 ▶

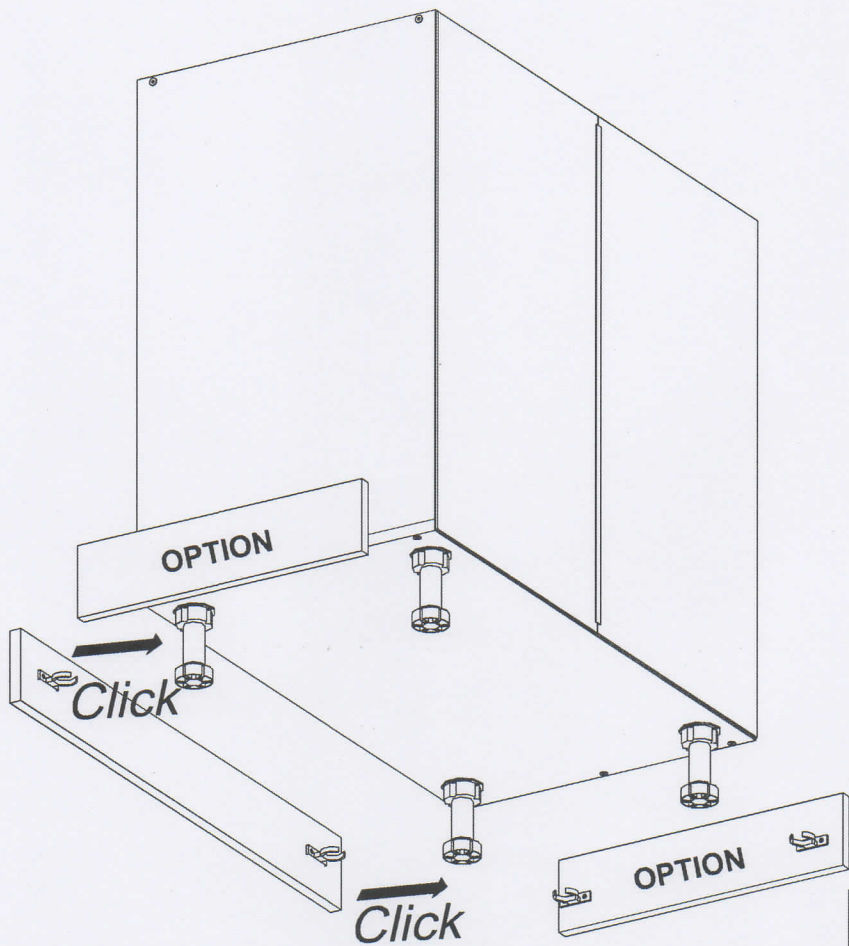


3 ▶

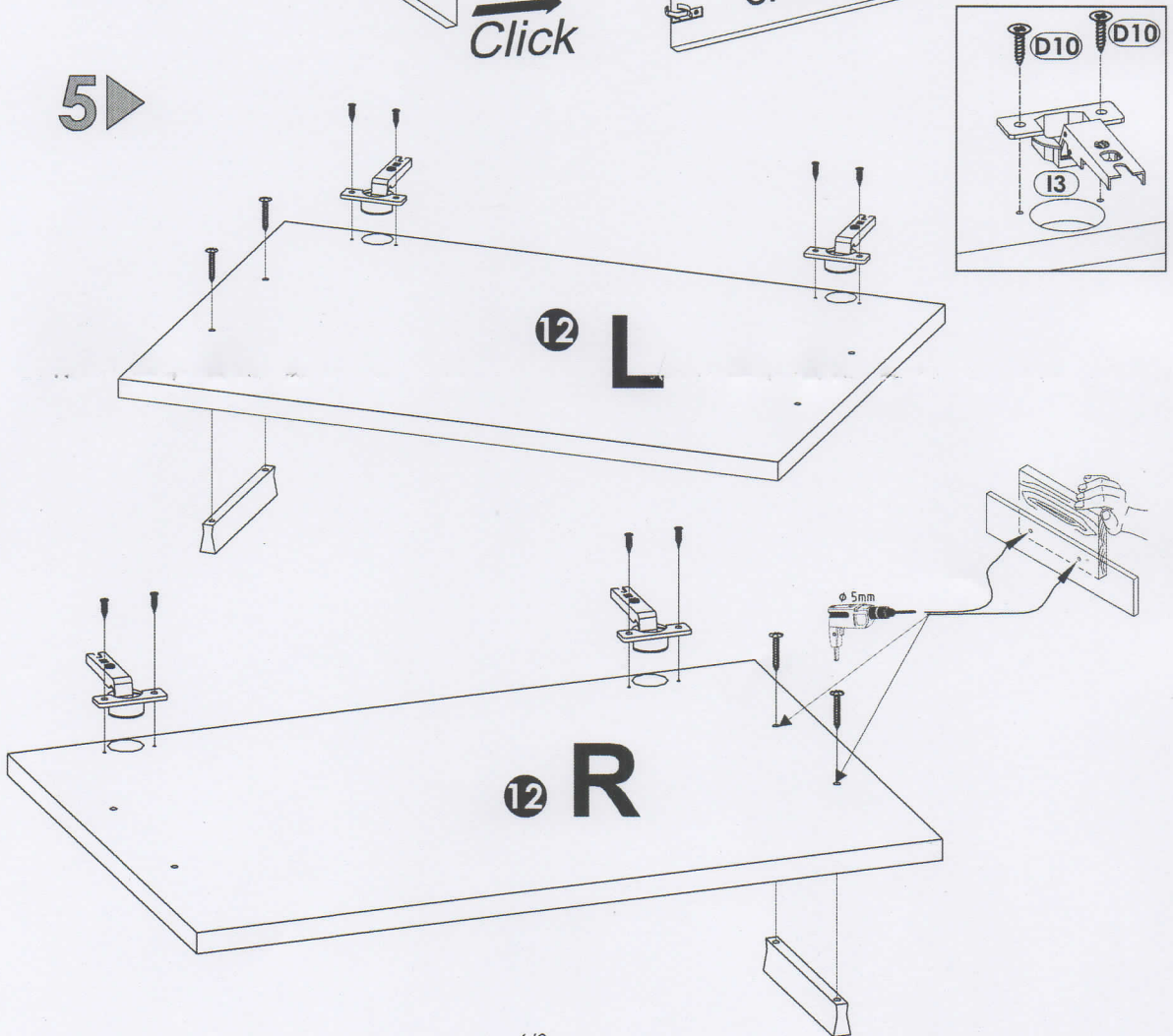


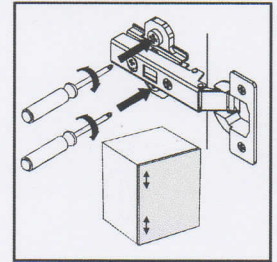
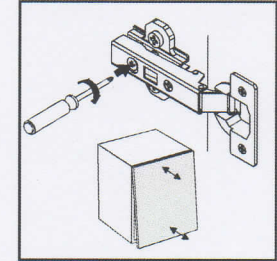
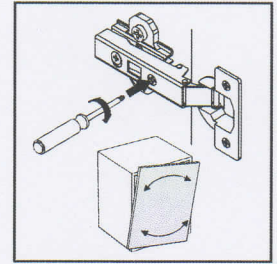
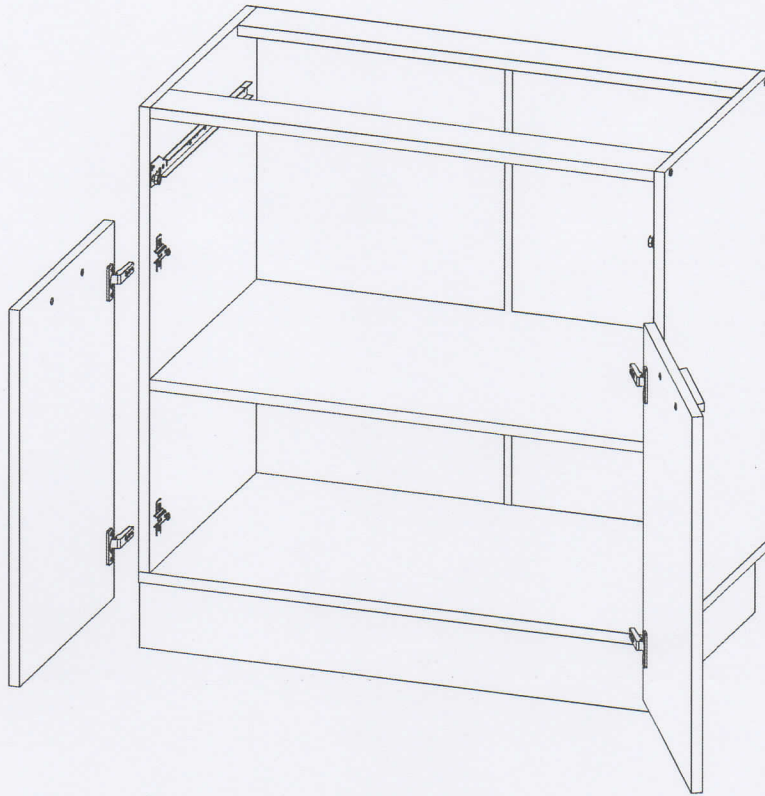
4 ▶





5 ▶





6 ▶

