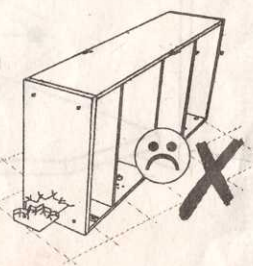
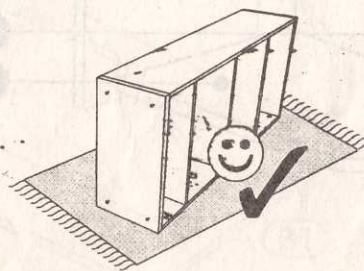
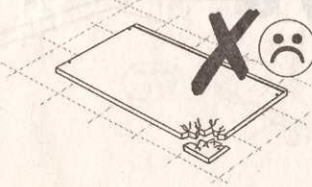
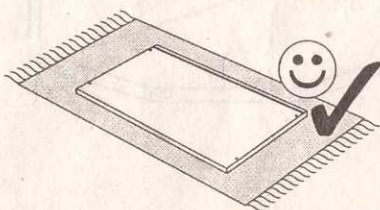
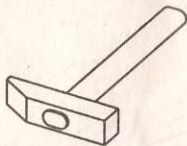
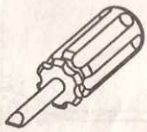
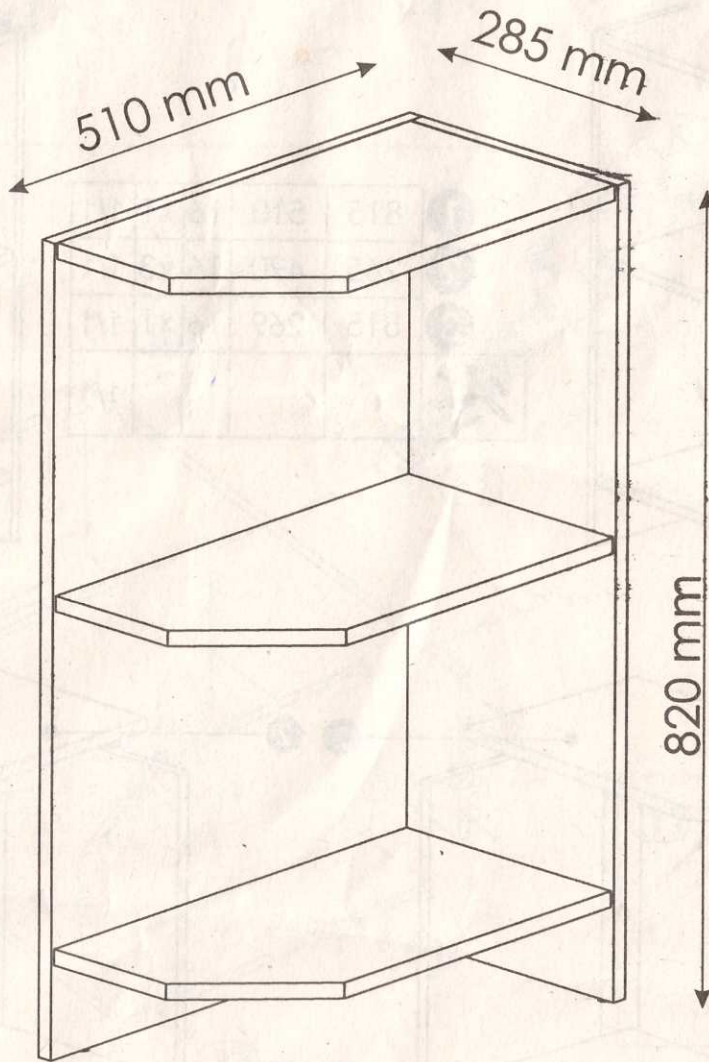
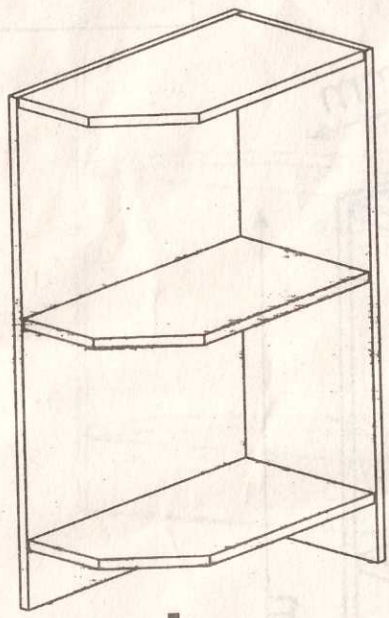


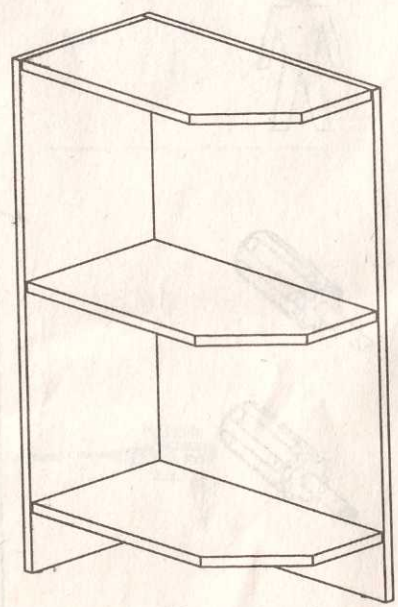
ALINA 30 LECC




ALINA 30 LECC

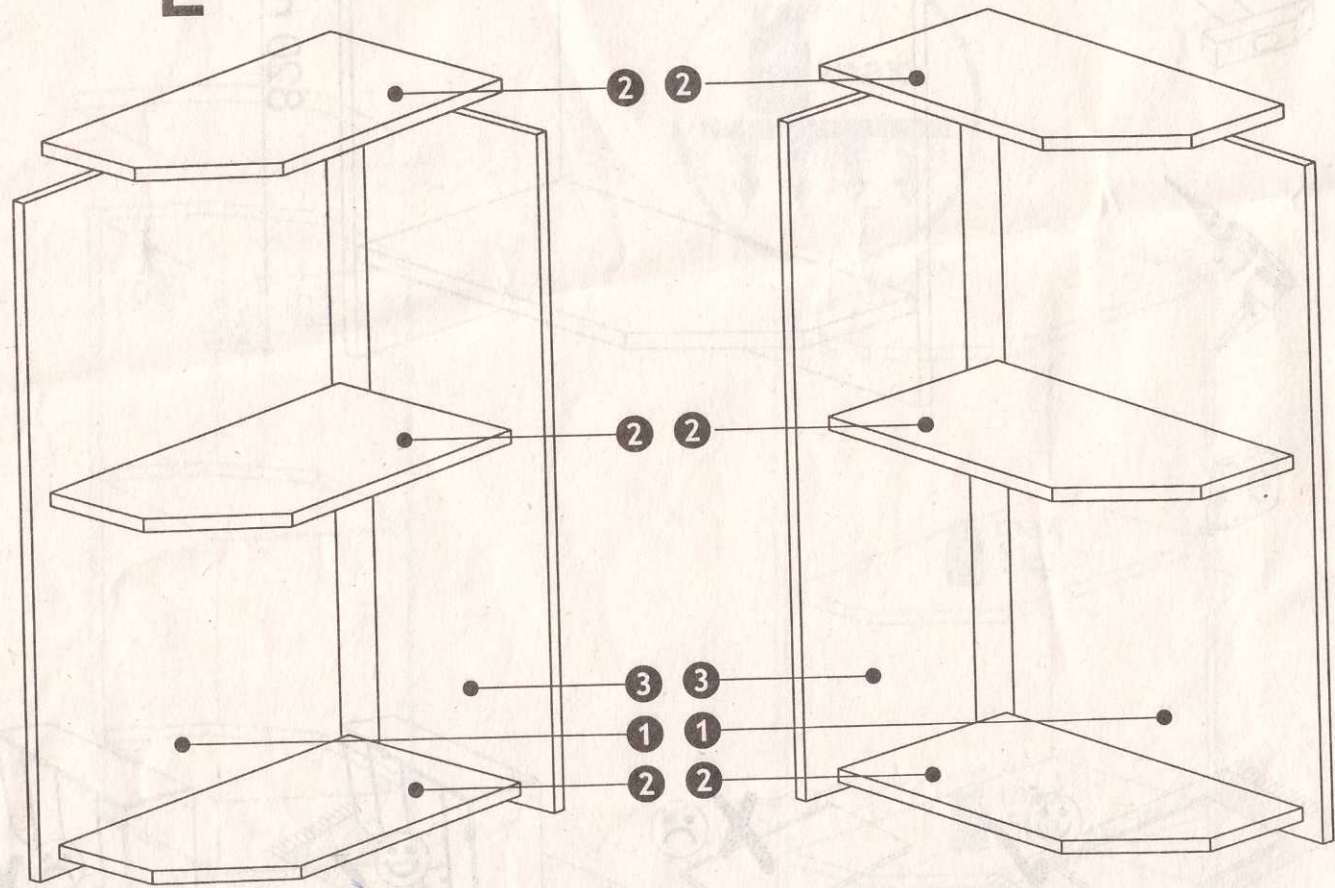


L

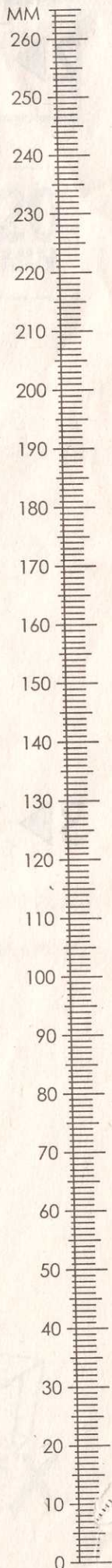


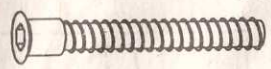

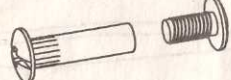
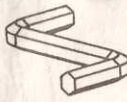
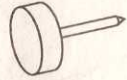
R

1	815	510	16 x1	1/1
2	265	490	16 x3	1/1
3	815	269	16 x1	1/1
				1/1

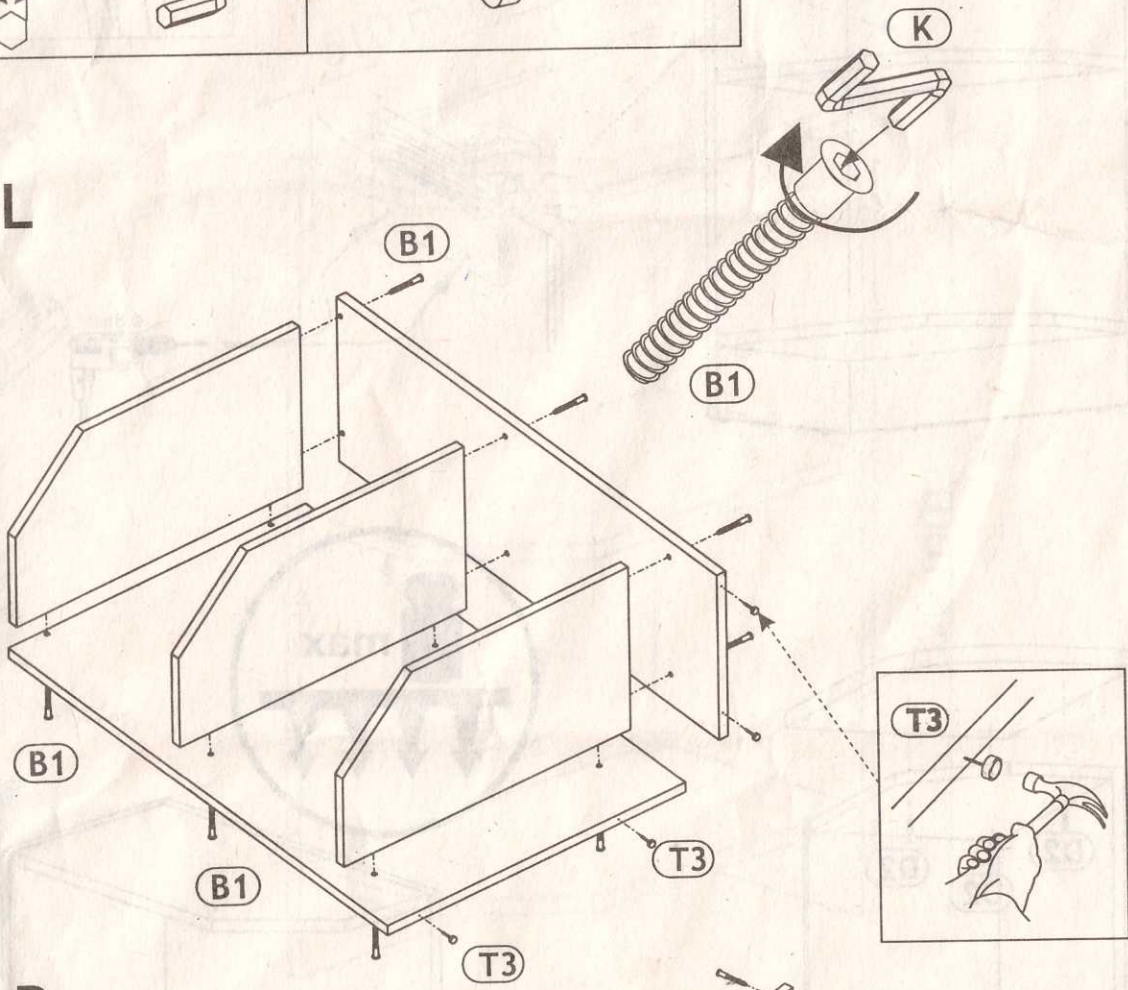


ALINA 30 LECC

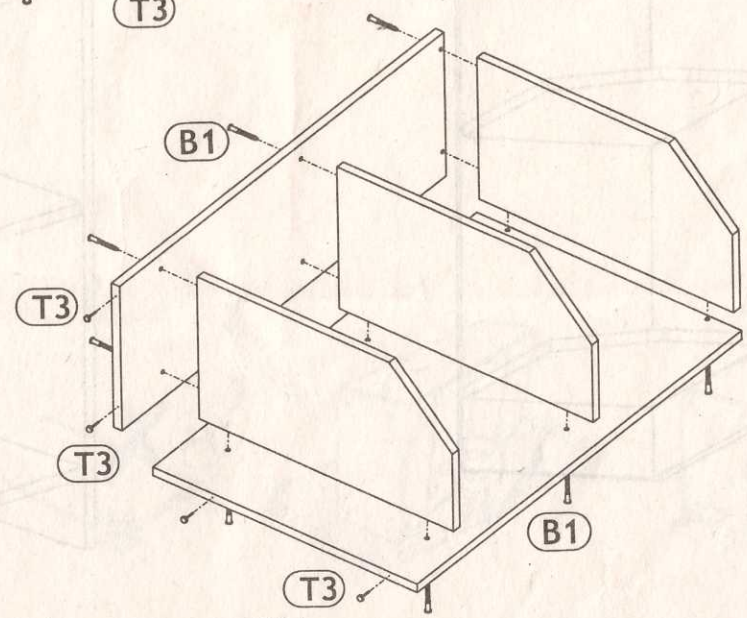


(B1) f 7 x 50 mm x14 	(D2) 3 x 30 mm x3 	(H0) x2 
(K) 4mm x1 	(T3) x4 	

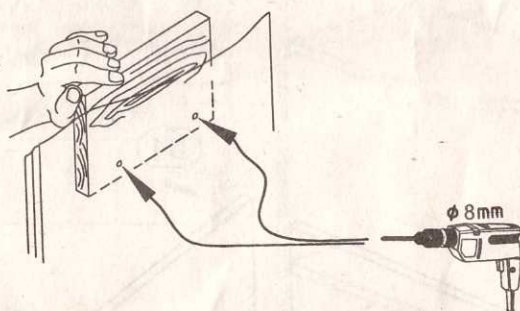
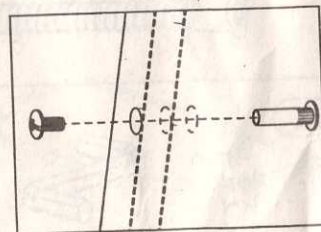
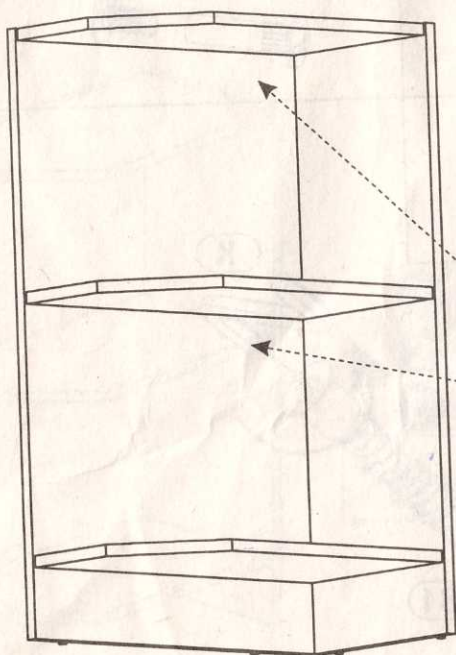
1 ▶ L



1 ▶ R



2 ▶



3 ▶

