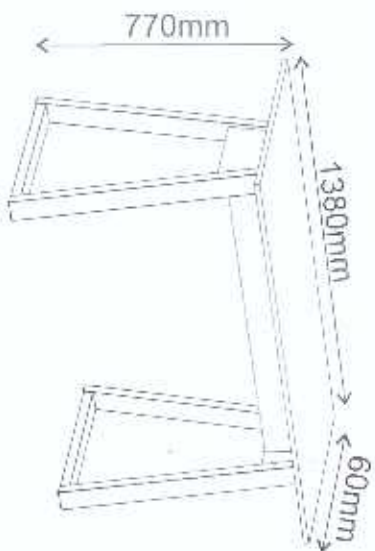
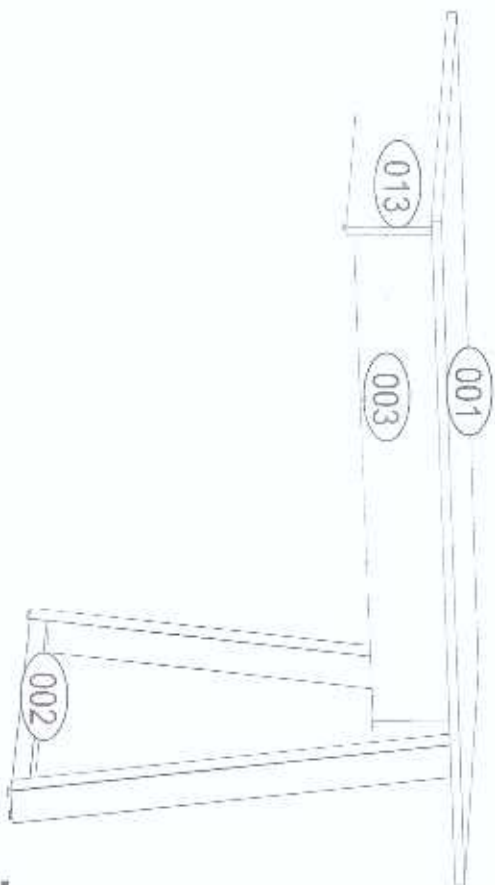




# Installation manual/Aufbauanleitung

## WRITING DESK 1380 LEG/TOP

MOBEL 3673 BEIN 138 NEPTUNE STEINEICHE /  
MOBEL 3672 TISCH MIT BEIN 138 NEPTUNE W/SE

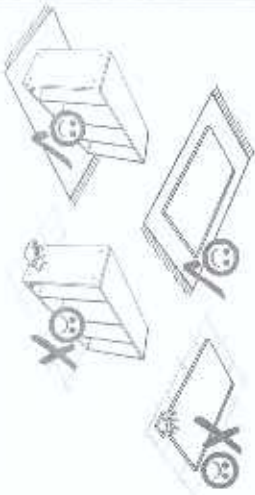
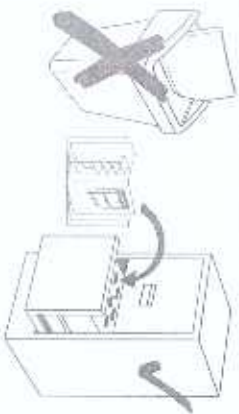


## TOP









Code/Kode	Dimensions/Ausmaß	Anzahl	Package/Paket
001	1380 600 16	1	1/1
003	149 1136 16	1	1/1
013	150 340 16	1	1/1
002	760 70 510	1	1/1
accessories/zubehör			
		1	1/1

## LEG

Code/Kode	Dimensions/Ausmaß	Anzahl	Package/Paket
002	760 70 510	1	1/1

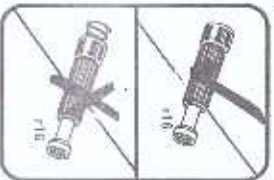
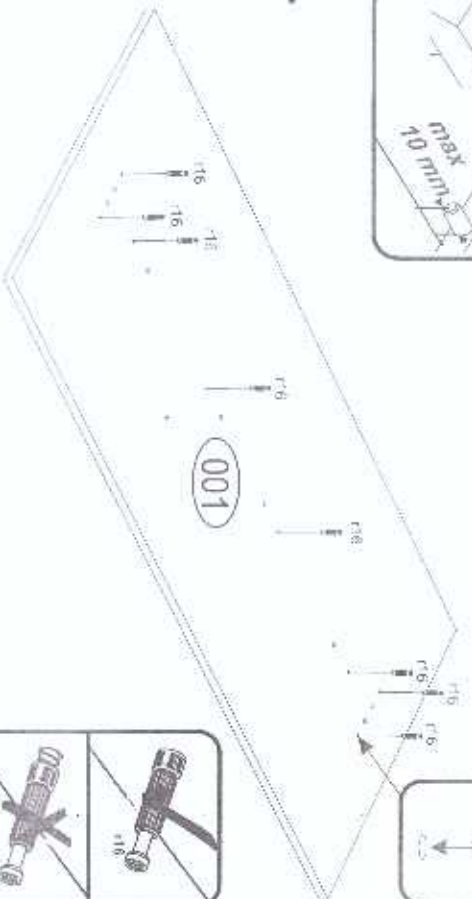
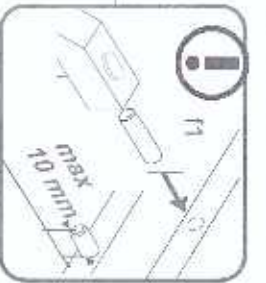
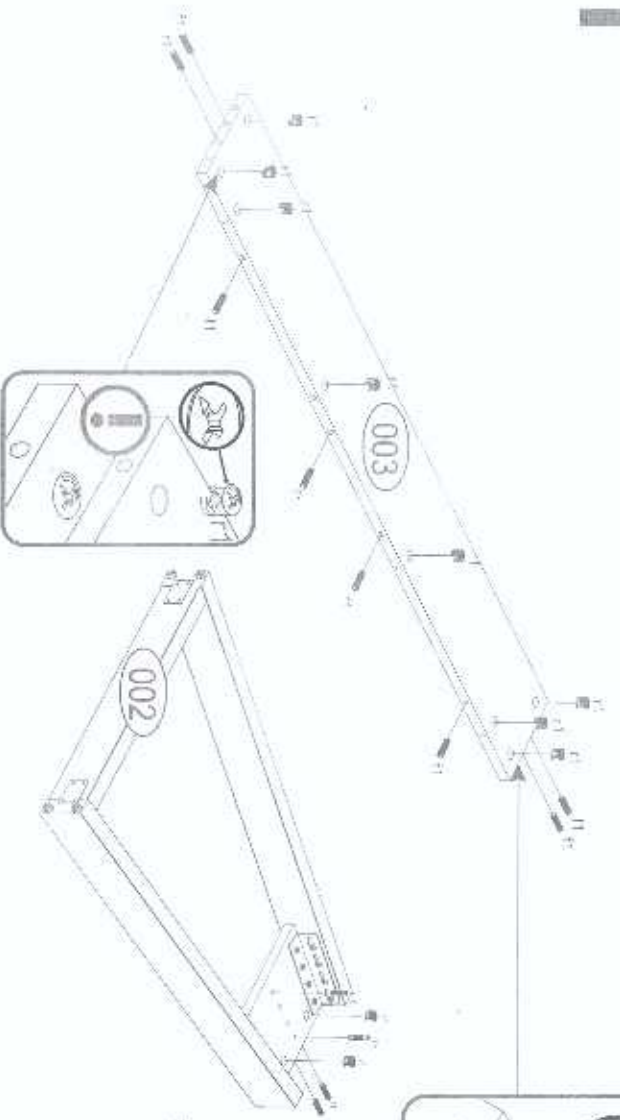


# Accessories/Zubehör:

<p>x12 f1</p> <p>Ø8x30mm</p> 	<p>x12 r16</p> 	<p>x12 r1</p> 	<p>x12 s2</p> 
<p>x3 e1</p> <p>Ø7x50mm</p> 	<p>x3 s1</p> 	<p>x1 s4</p> 	<p>x1 z1</p> 

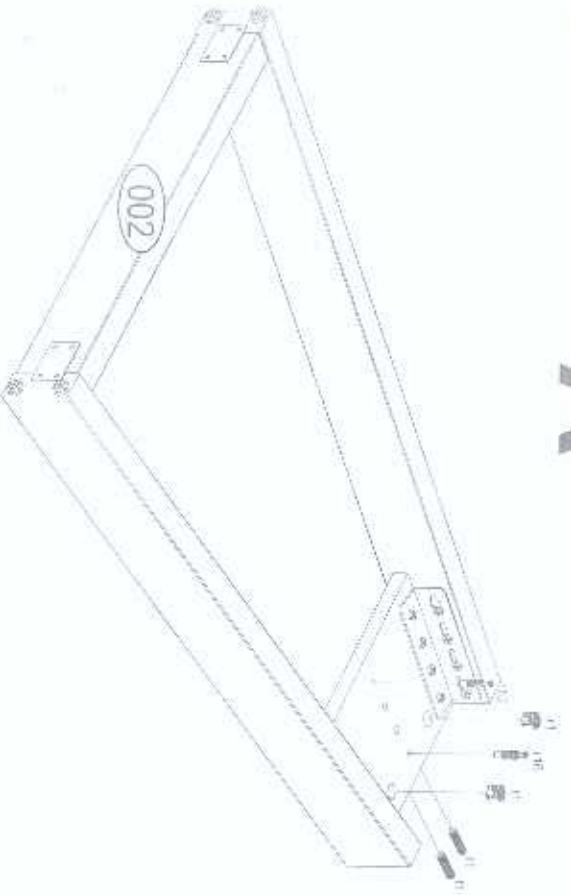


# 1



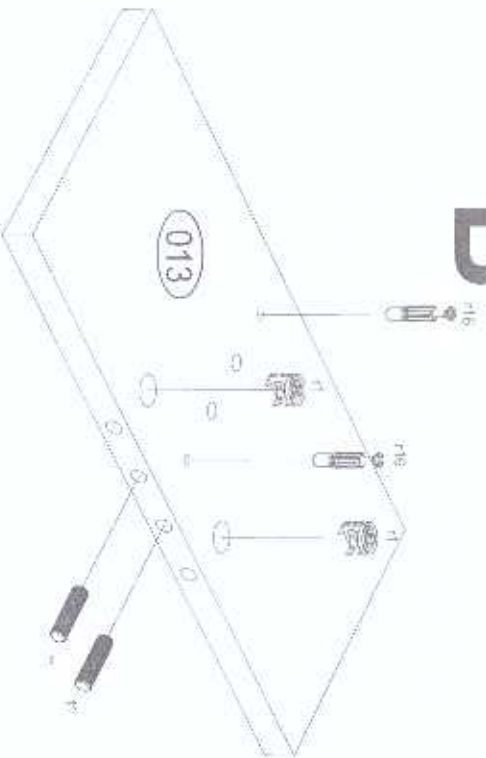
# 2

## A



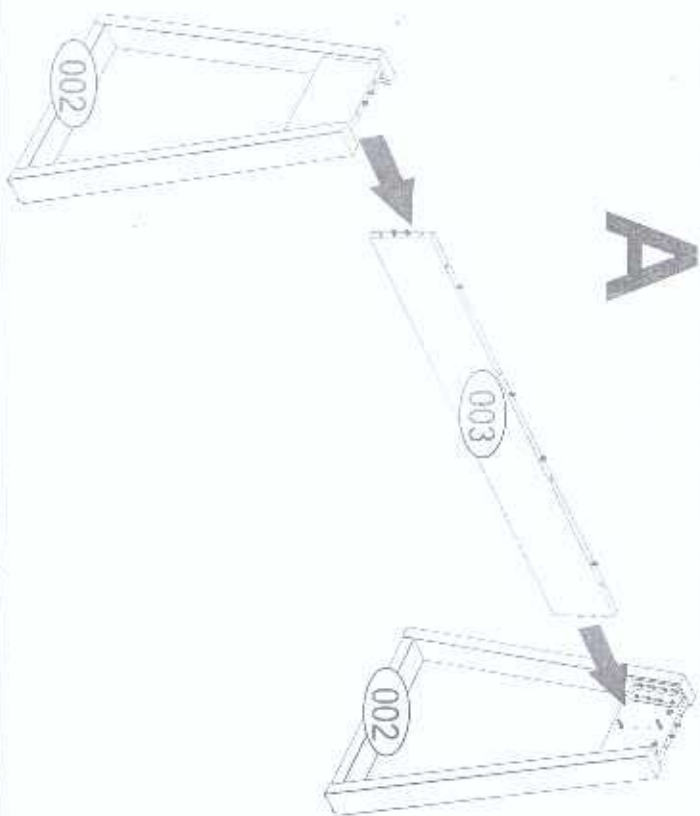
# 2

## B



3

A

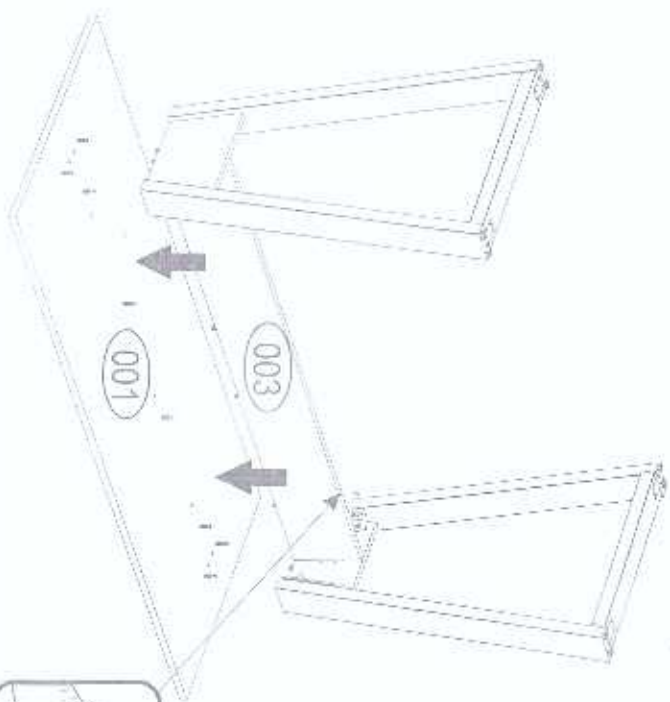


3

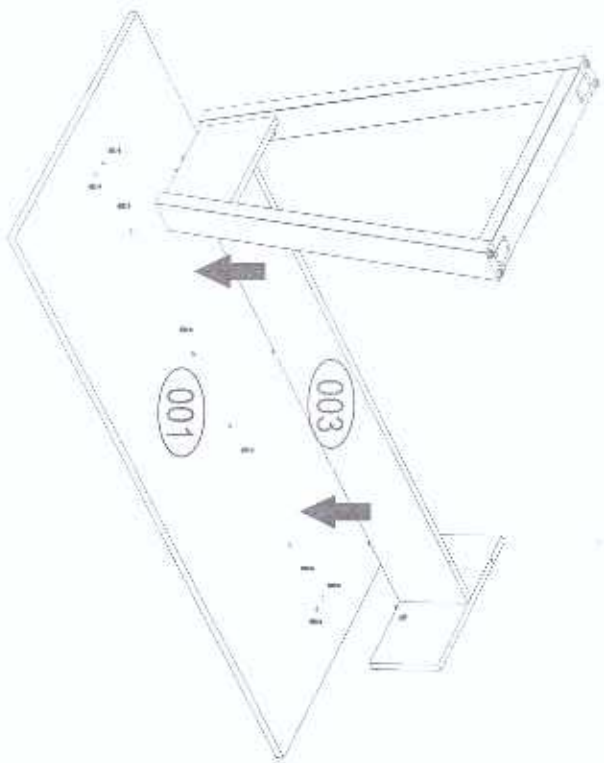
B

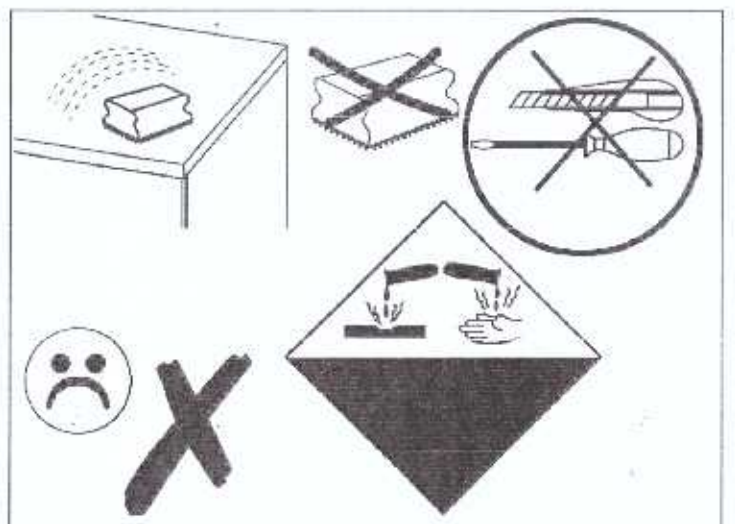
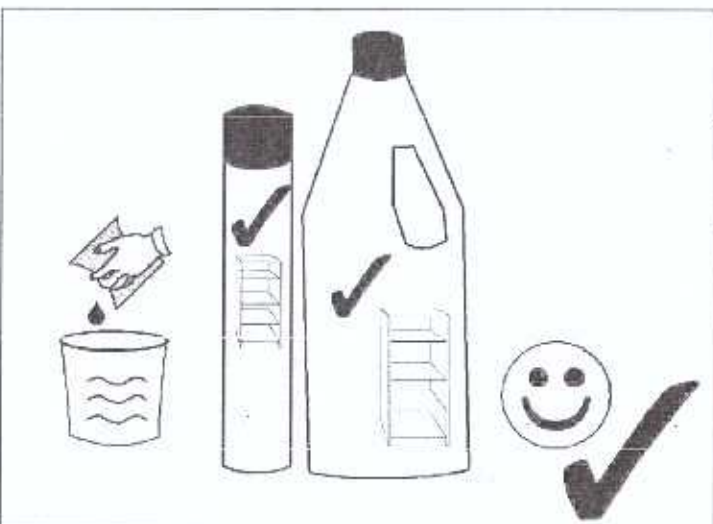
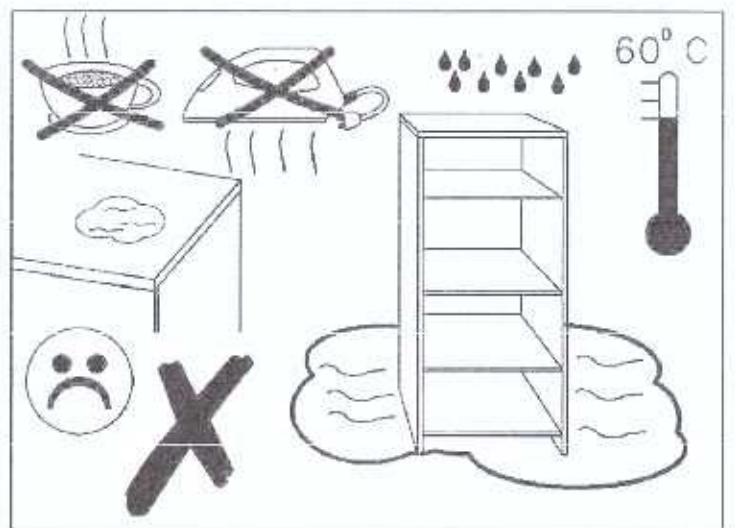
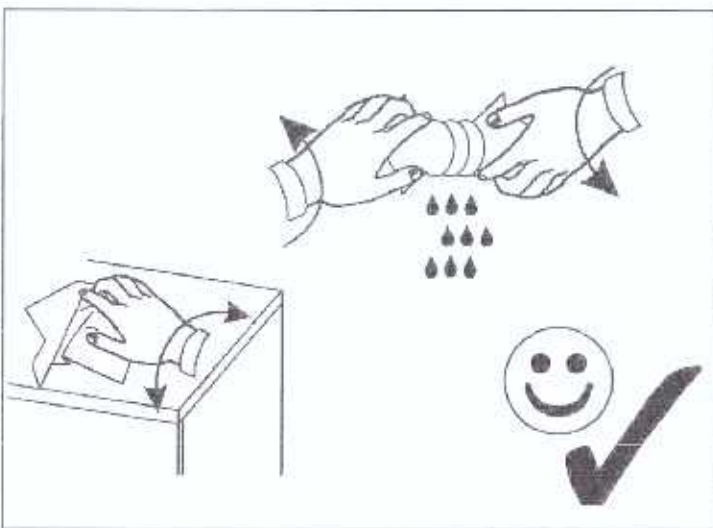
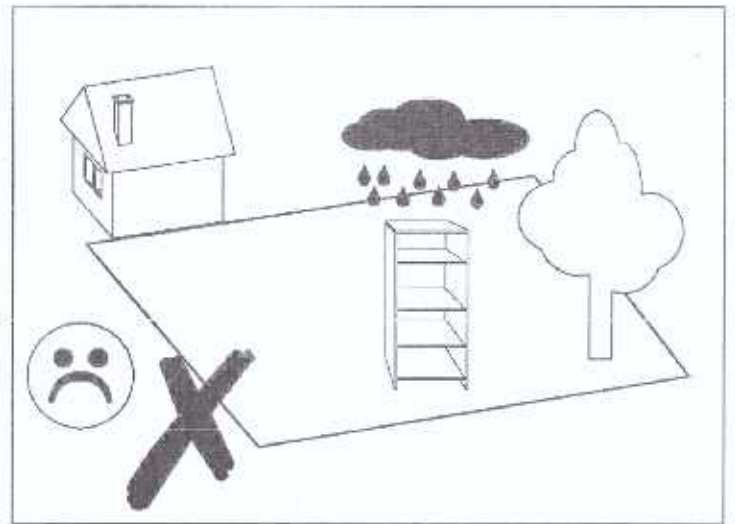
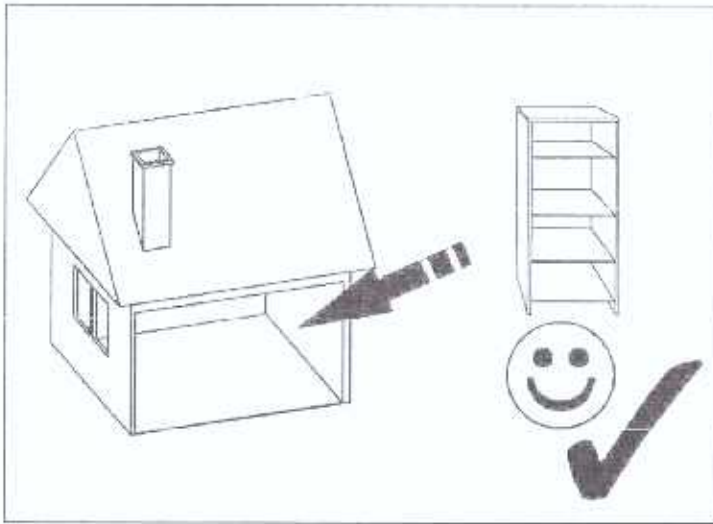


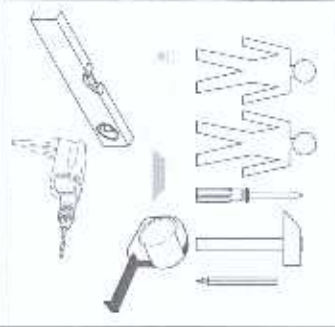
4



4

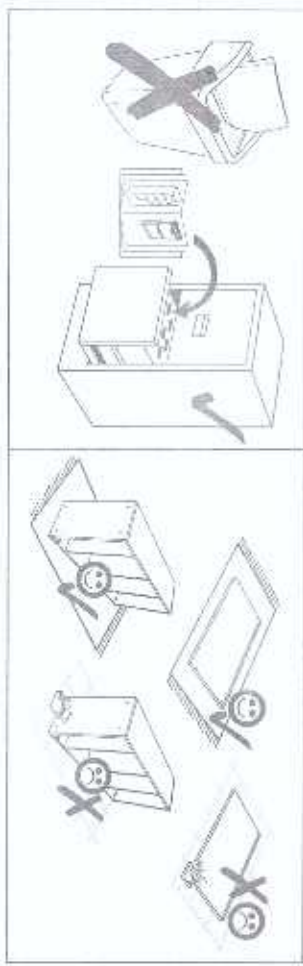
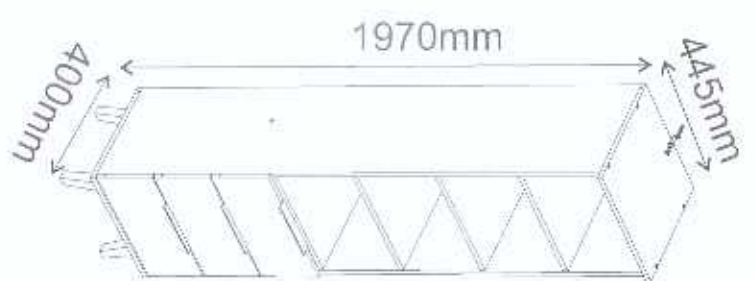
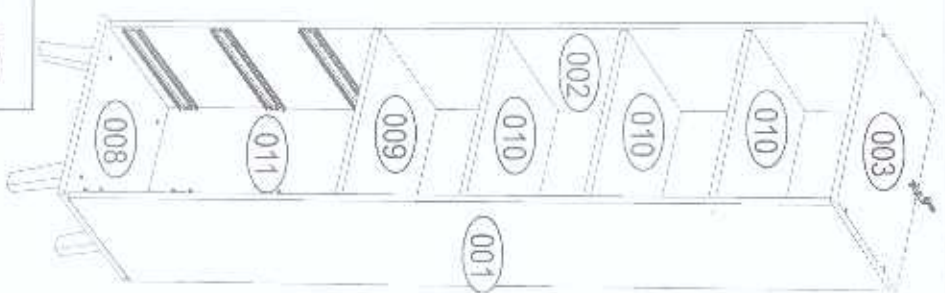
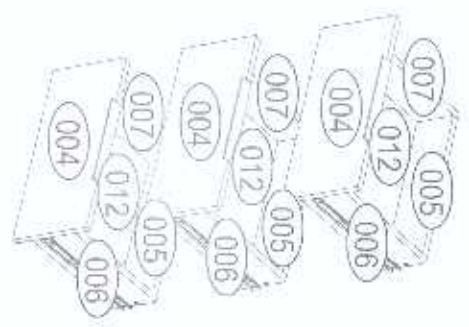






# Installation manual

## SHELVING OPEN 3S



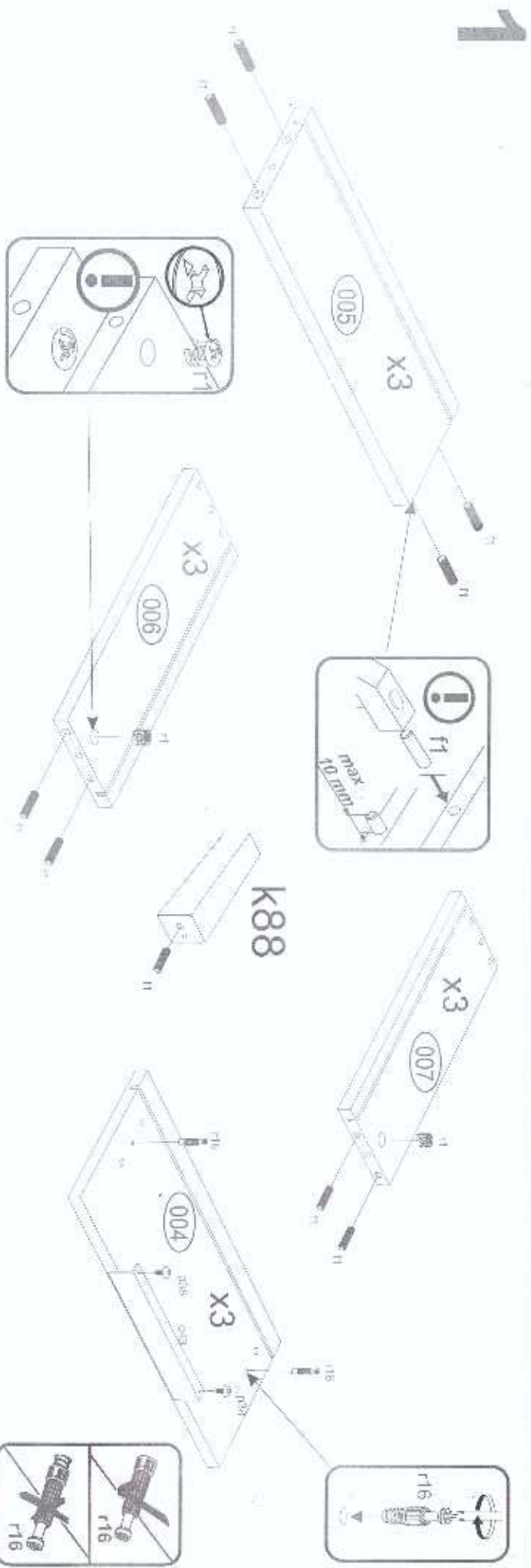
Code	Dimensions	Package
001	1788 380 16	1 2/2
002	1788 380 16	1 2/2
003	445 400 16	1 2/2
004	440 206 16	3 2/2
005	354 120 16	3 1/2
006	350 120 16	3 1/2
007	350 120 16	3 1/2
008	445 400 16	1 2/2
009	411 357 16	1 1/2
010	411 357 16	3 1/2
011	1806 429 3	1 2/2
012	352 372 3	3 2/2
accessories		2 1/2

# Accessories:

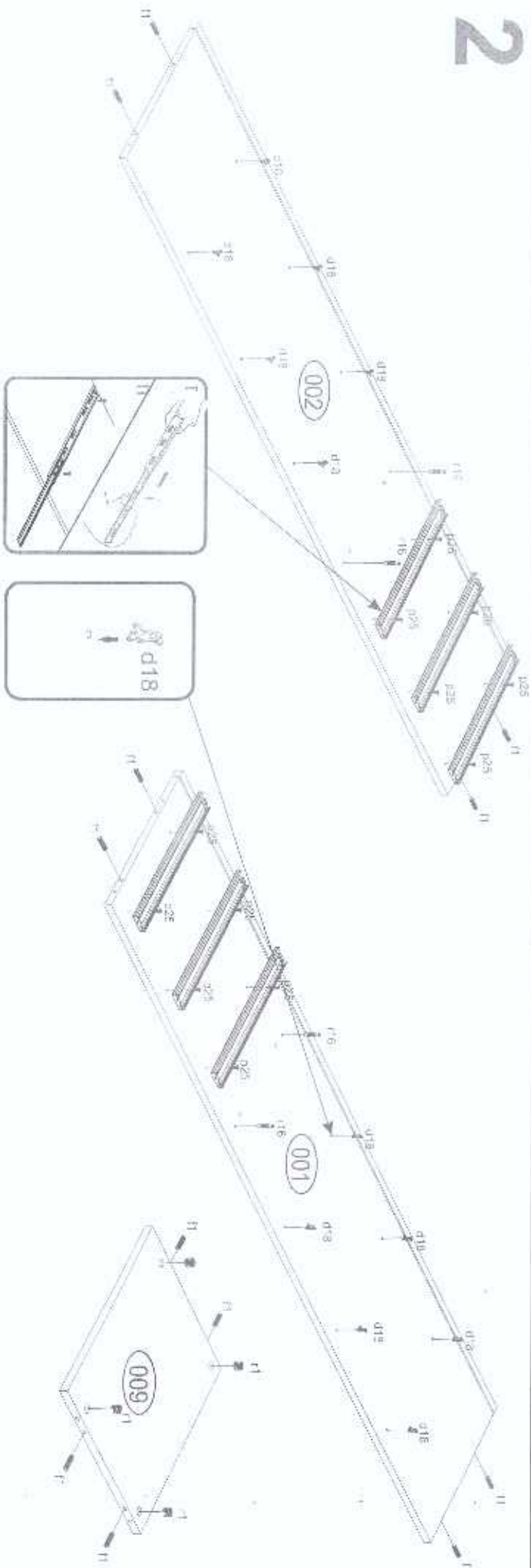
<p>x3 c43</p> 	<p>x12 d18</p> 	<p>x18 e1 Ø7x50mm</p> 	<p>x18 s1</p> 
<p>x40 f1 Ø8x30mm</p> 	<p>x1 f3</p> 	<p>x10 l2</p> 	<p>x3 lb-350</p> 
<p>x1 n14</p> 	<p>x1 p17</p> 	<p>x48 p25</p> 	<p>x6 p38</p> 
<p>x10 r1</p> 	<p>x10 r16</p> 	<p>x10 s2</p> 	<p>x1 z1</p> 
<p>x4 k88</p> 			



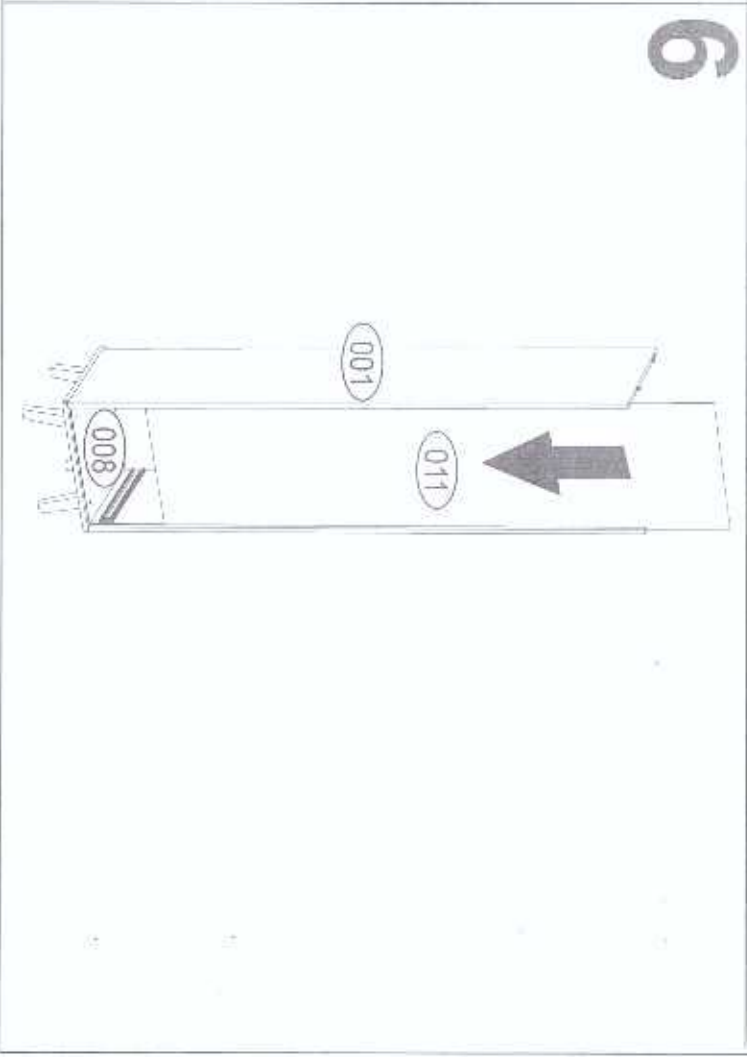
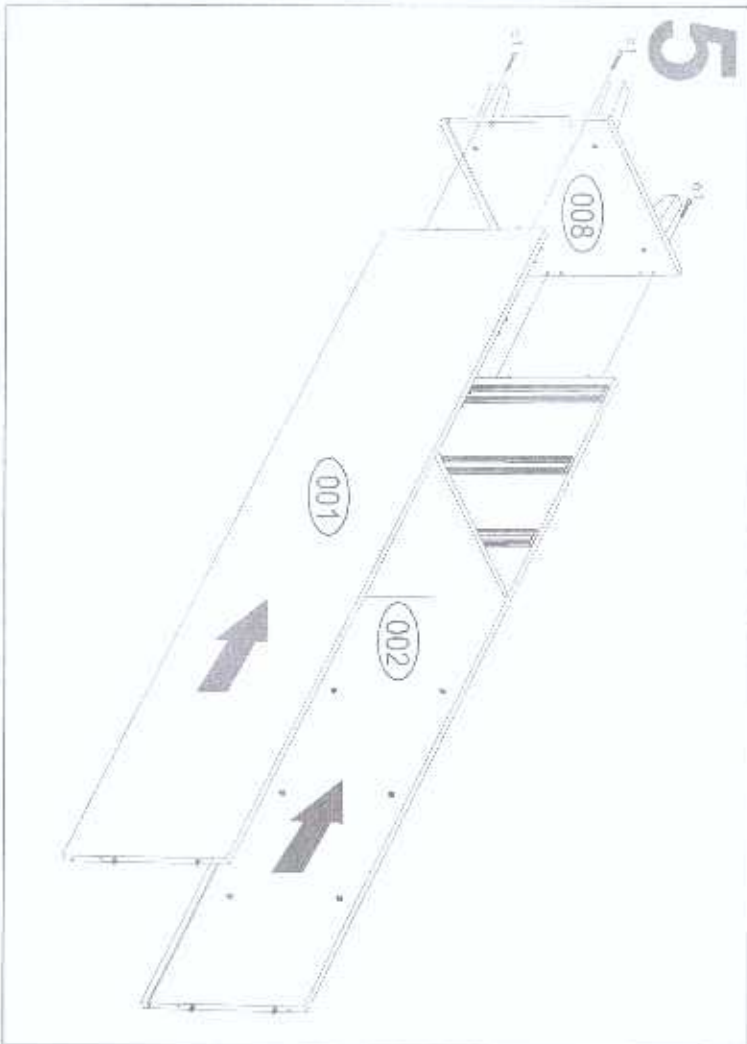
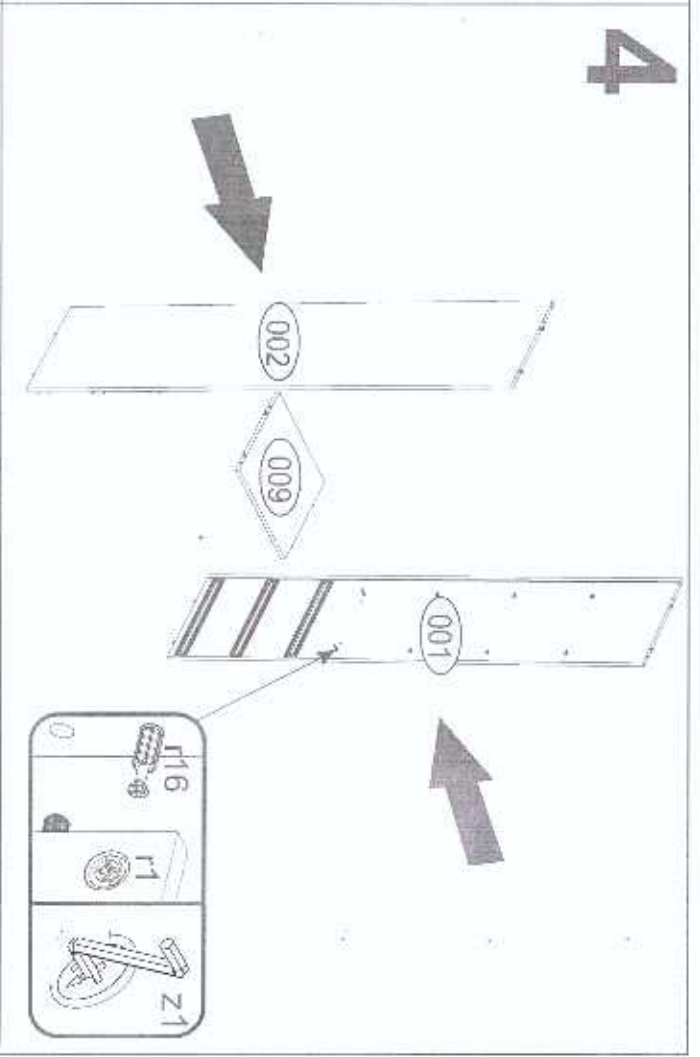
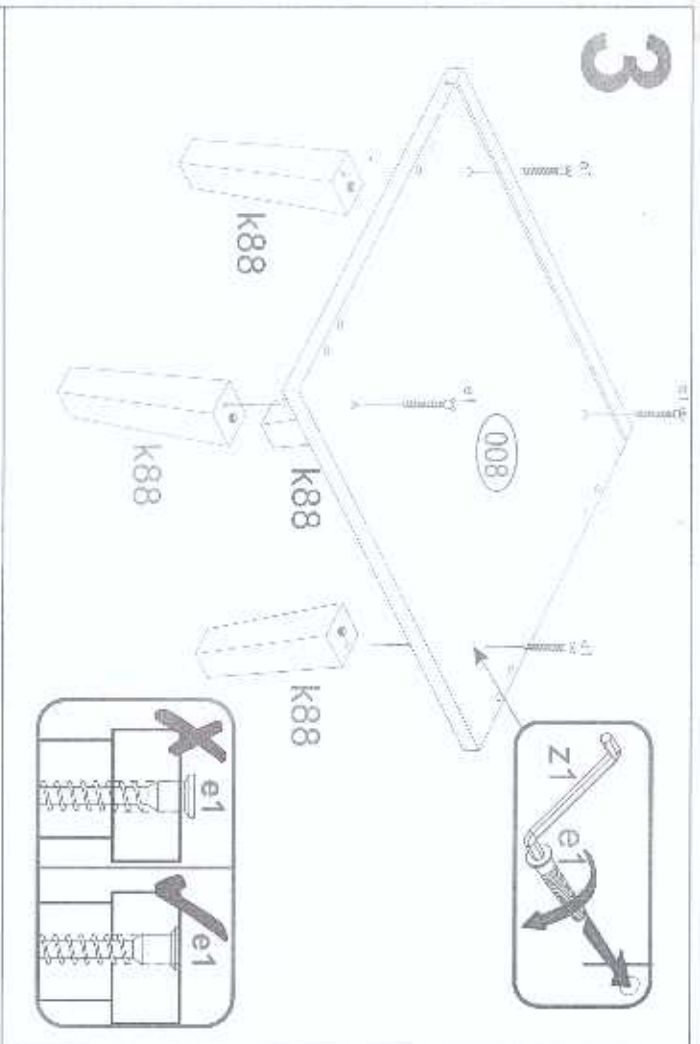
1



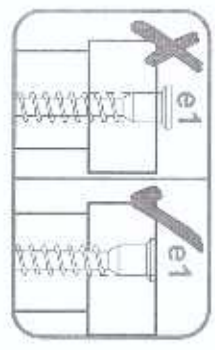
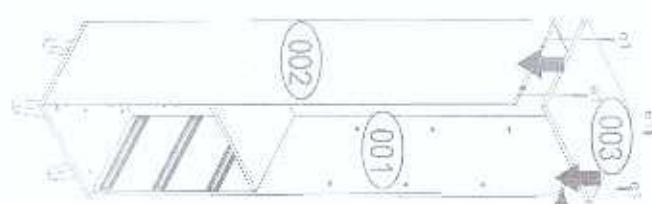
2



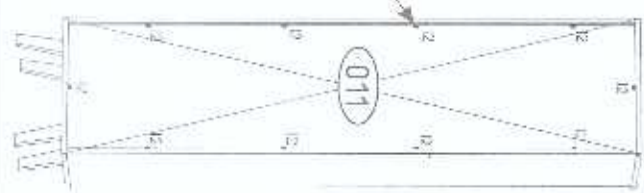
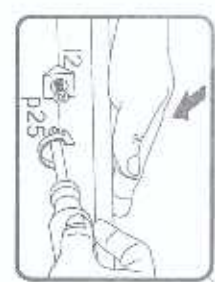




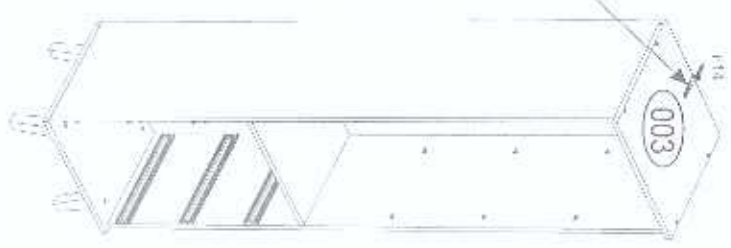
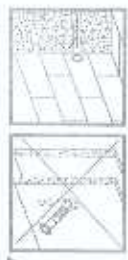
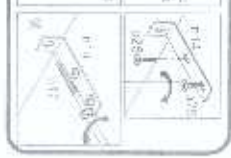
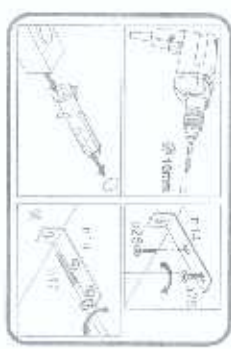
7



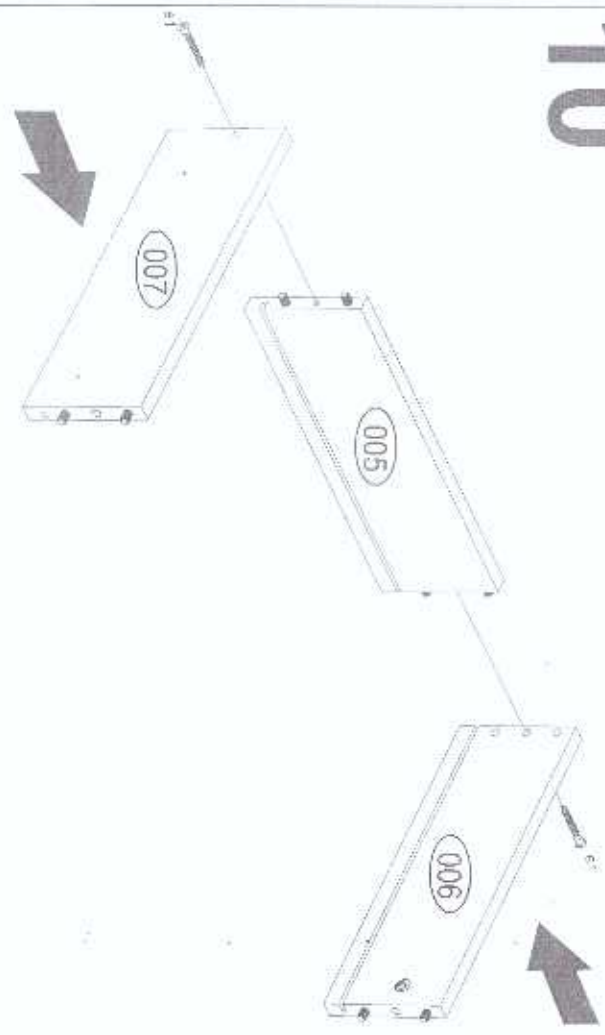
8



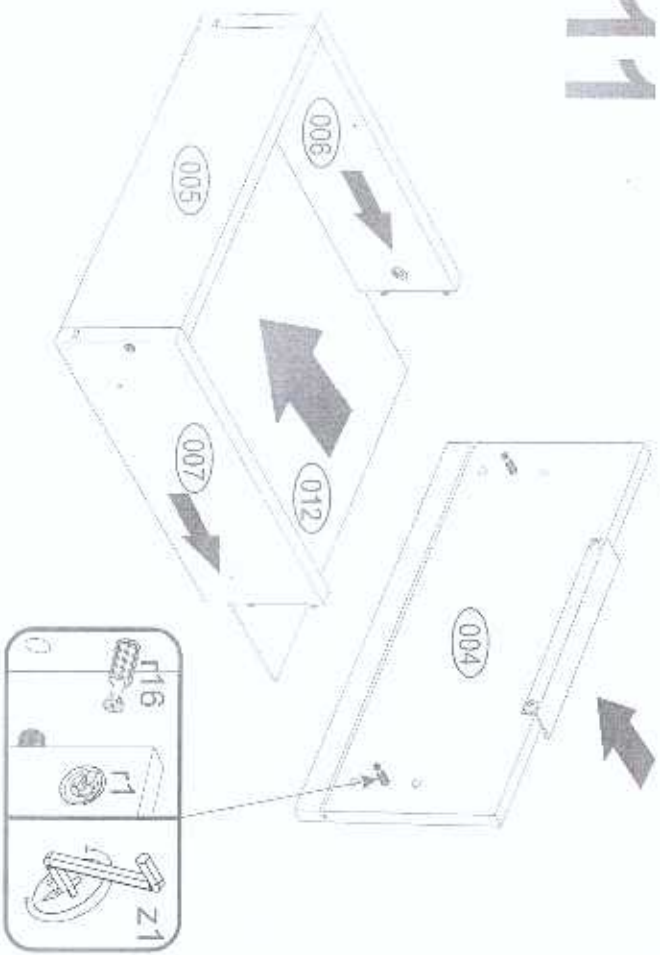
9



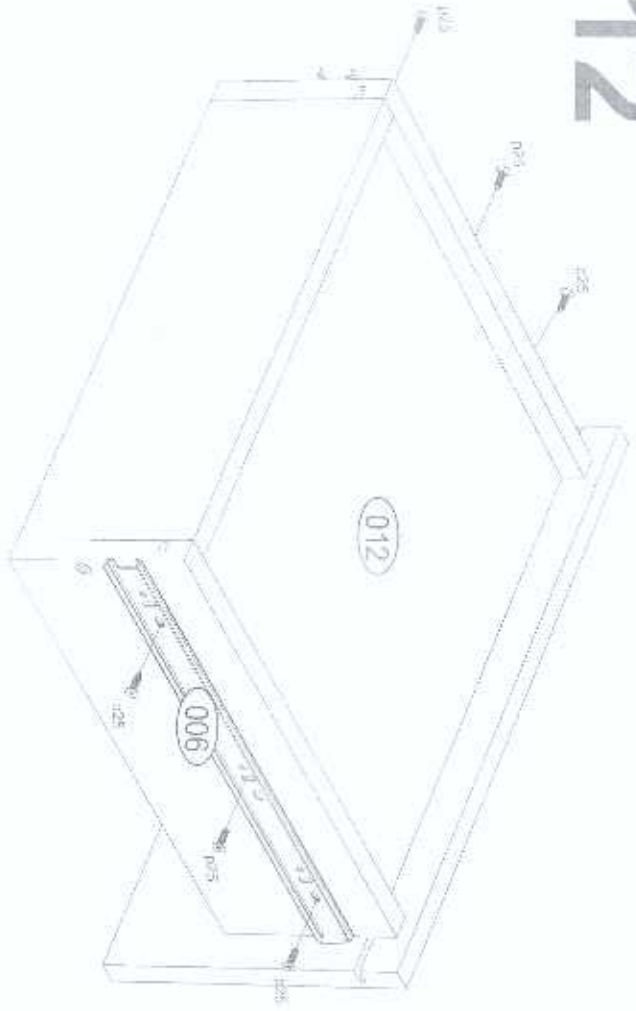
10



# 11



# 12



# 13

