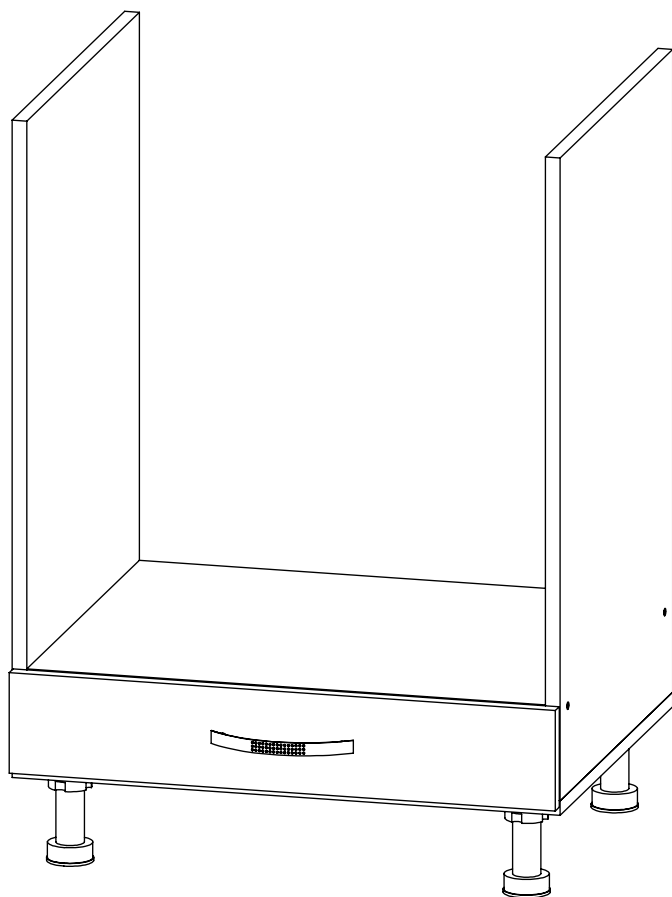












LOW Units



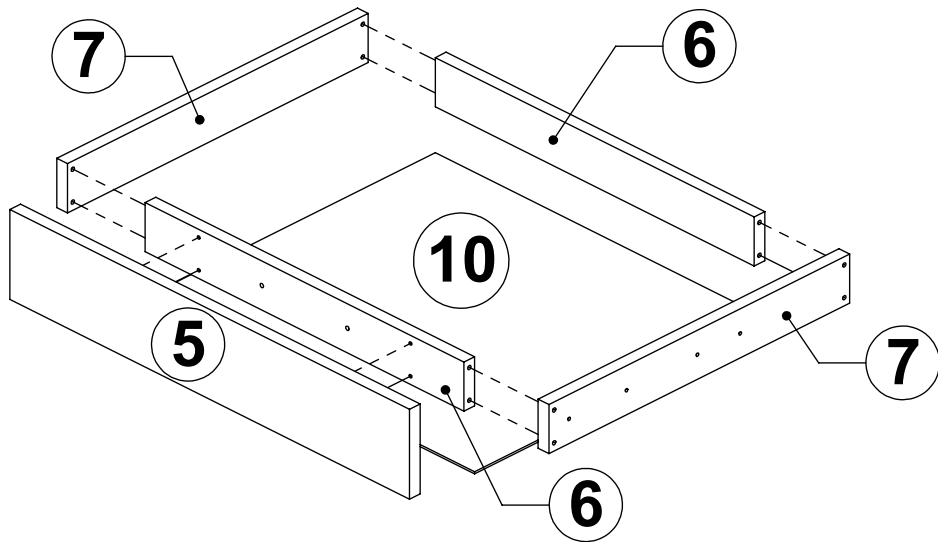
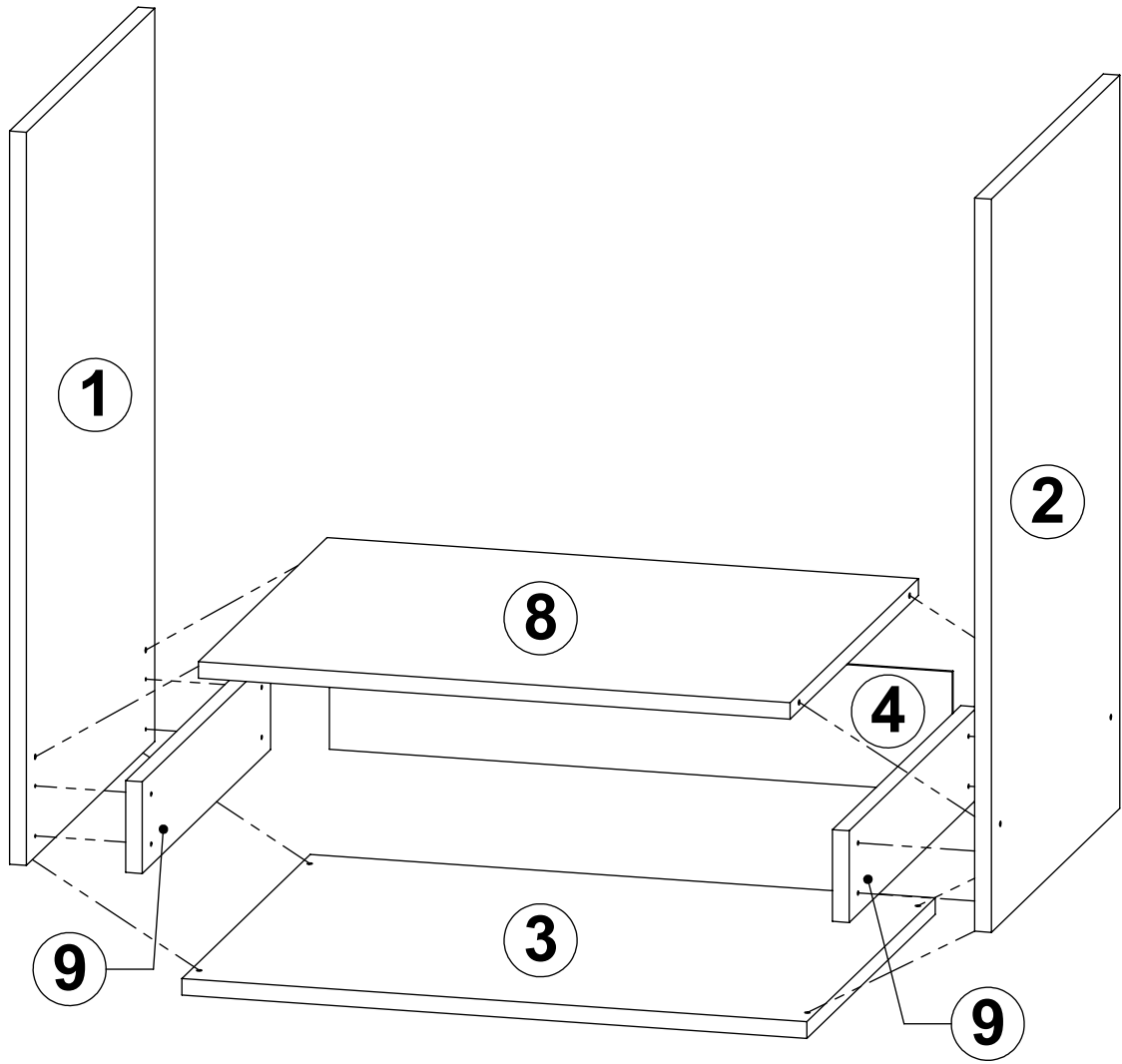
A  x16	B 4.0x16  x36	C  x8
D 4.0x30  x14	E 4x40  x2	F  x1
J  x1	K  10	L  x4
I 3.5x16  x6		

No

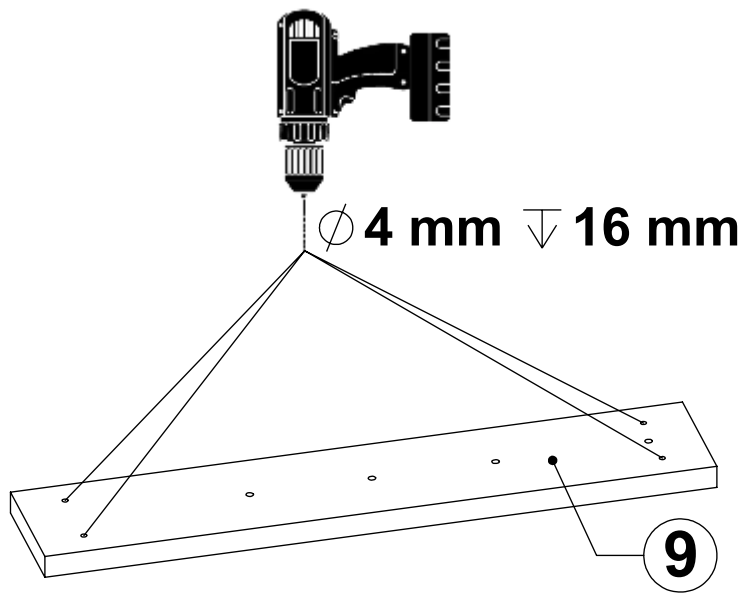
LG6082

X

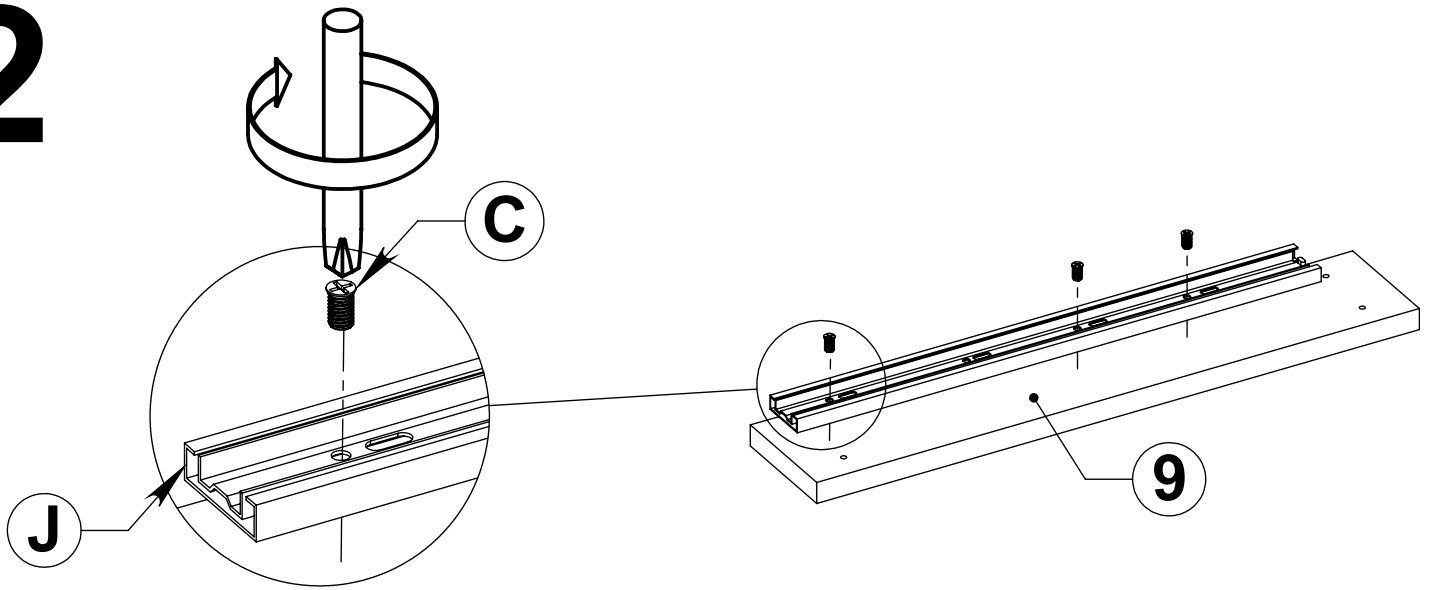
①	704x460	1
②	704x460	1
③	600x460	1
④	116x598	1
⑤	110x598	1
⑥	477x60	2
⑦	450x60	2
⑧	568x460	1
⑨	460x88	2
⑩	507x448	1



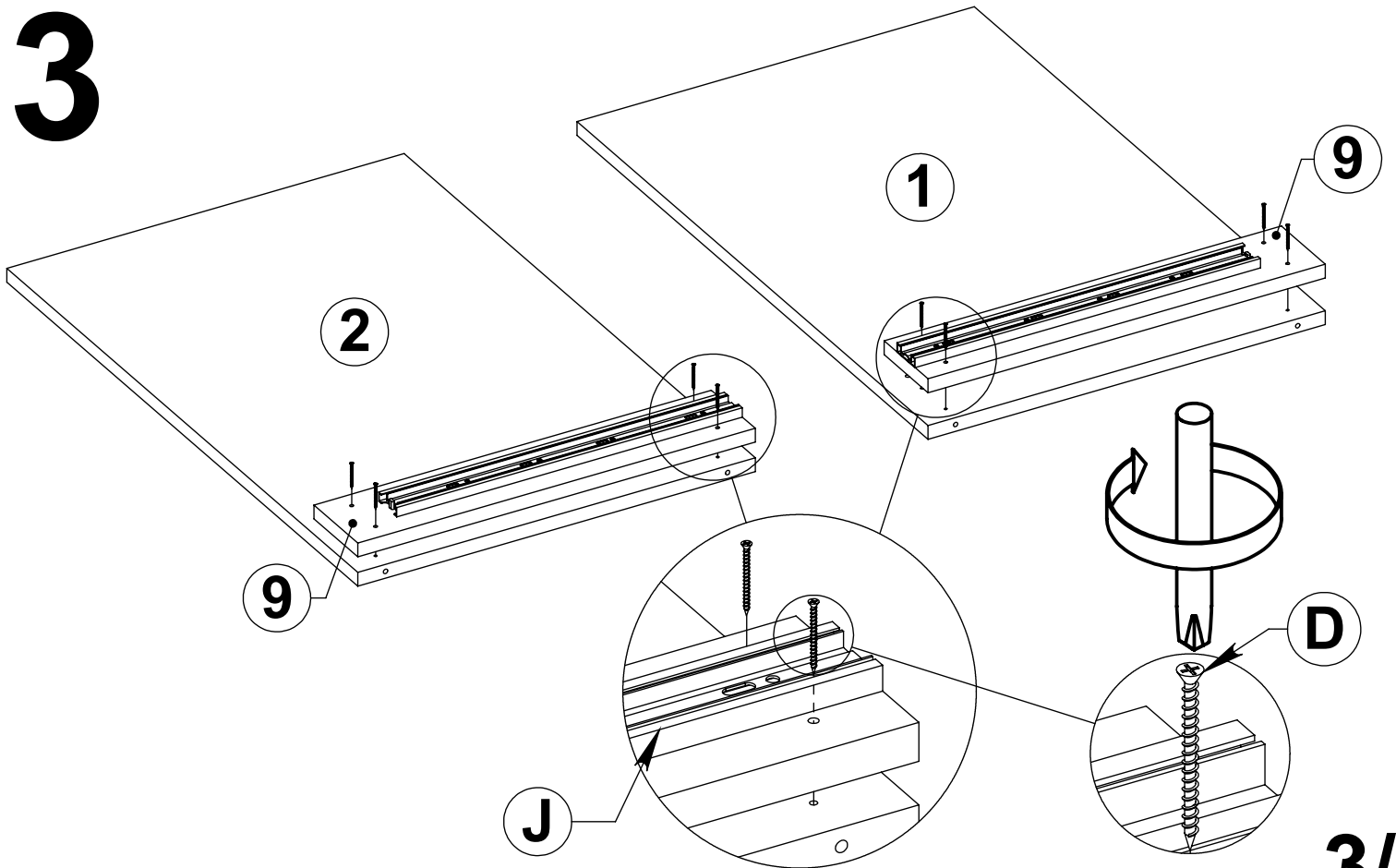
1



2

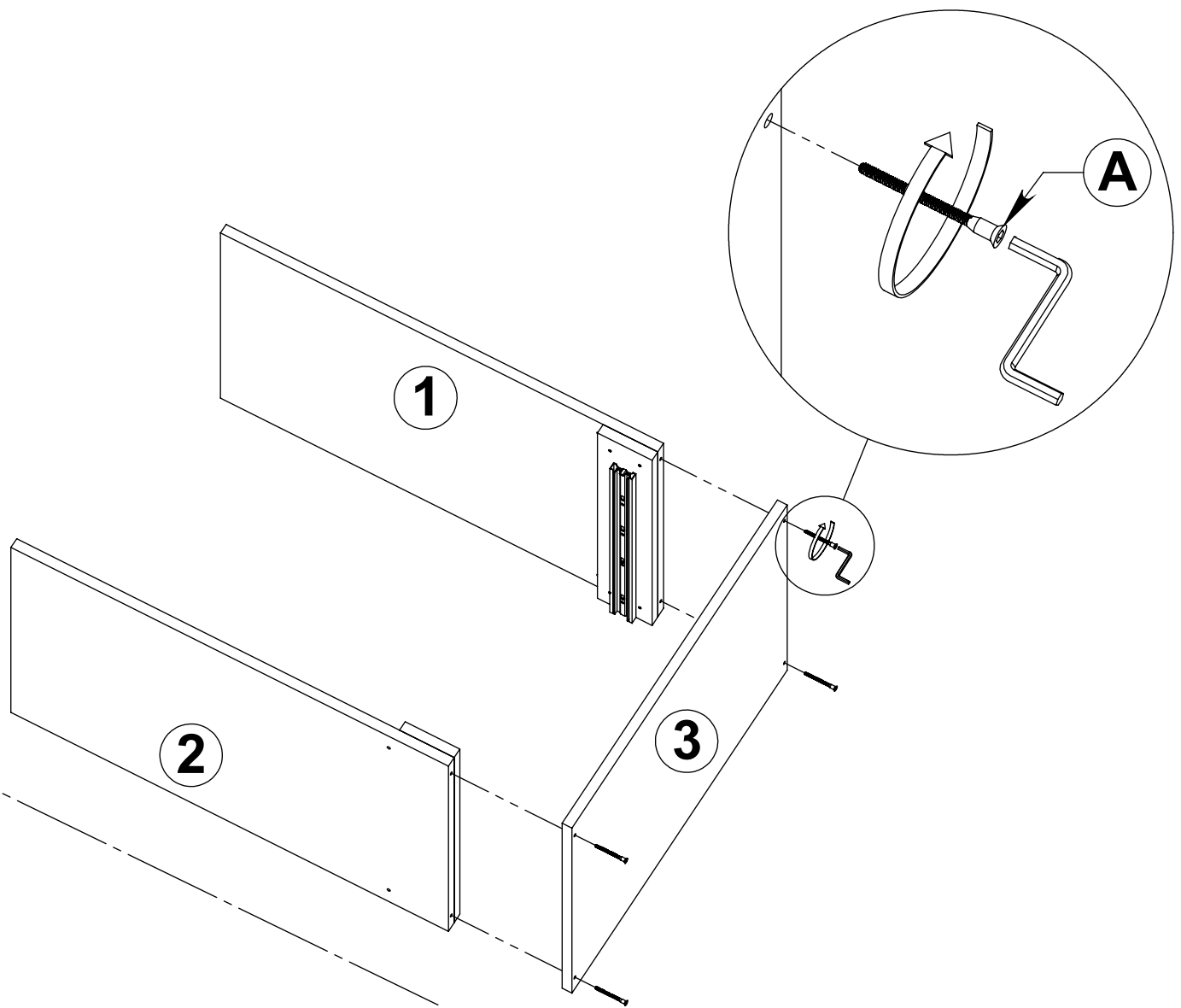


3

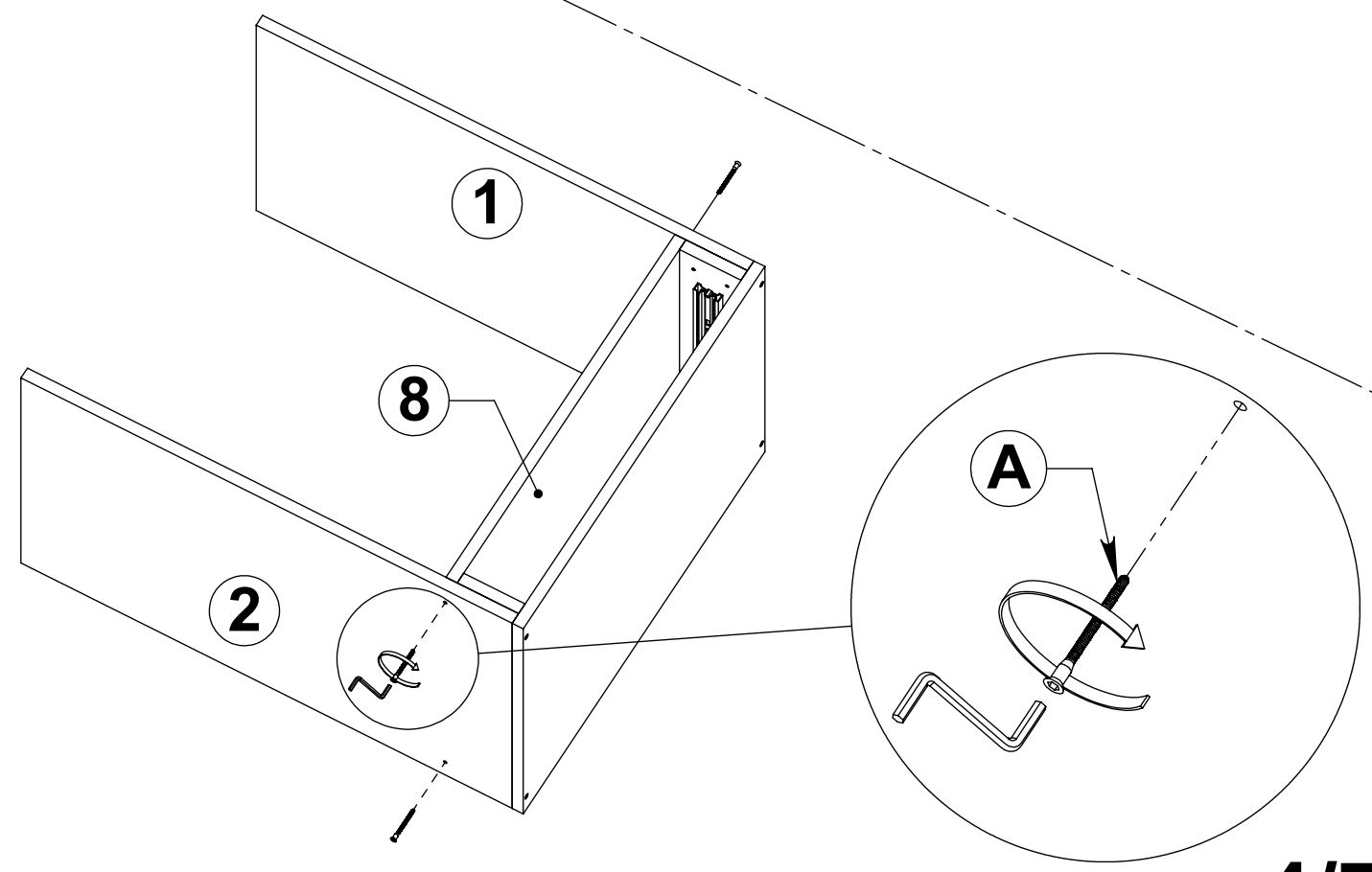


3/7

4

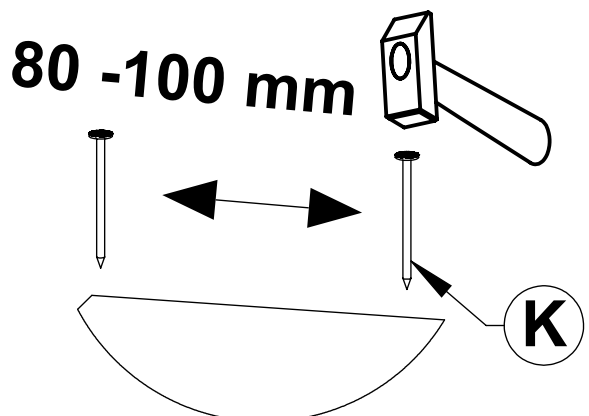
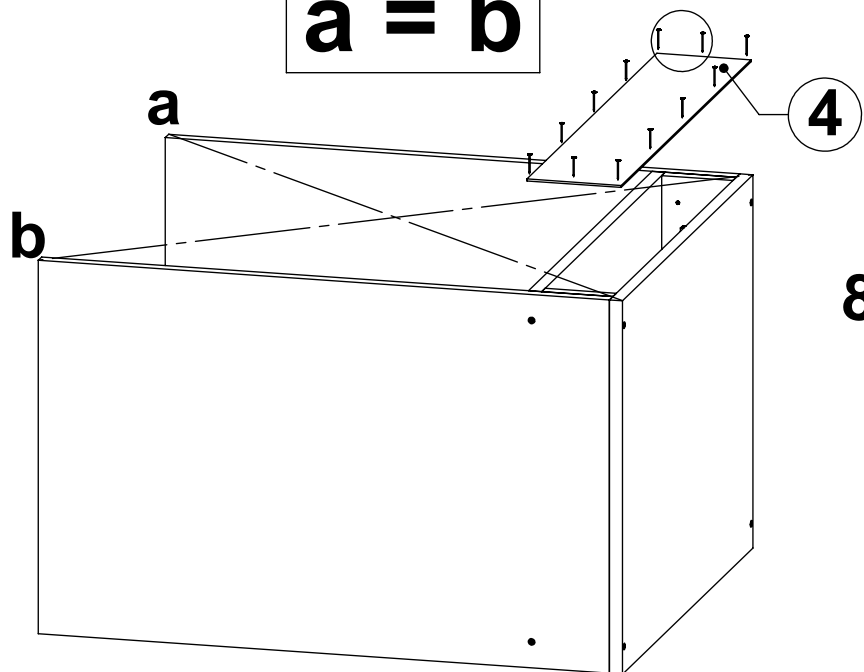


5

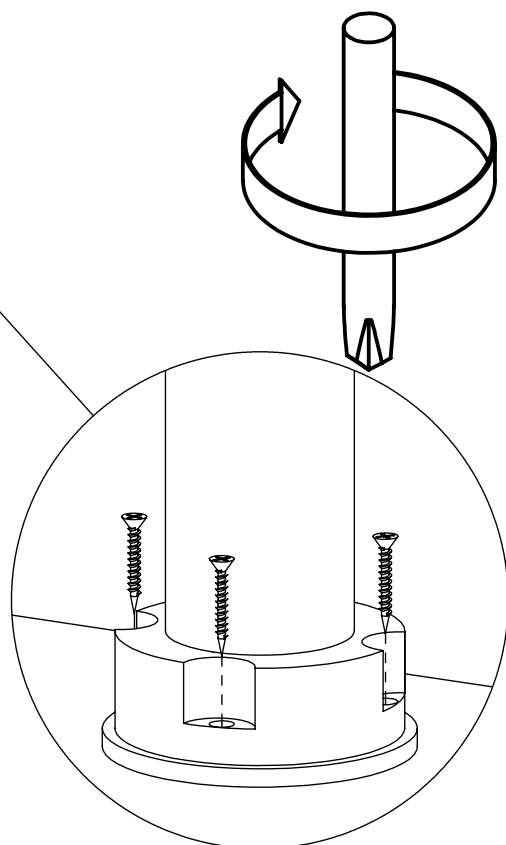
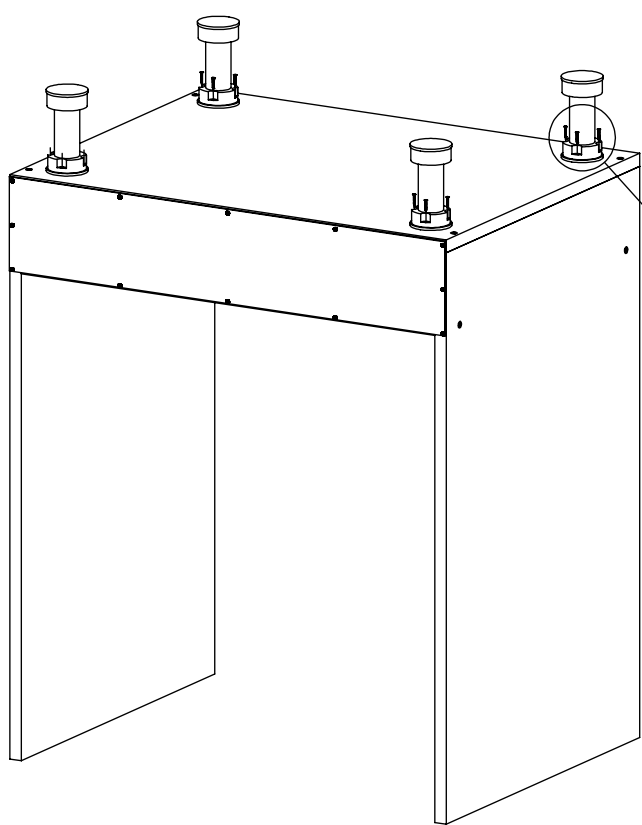


6

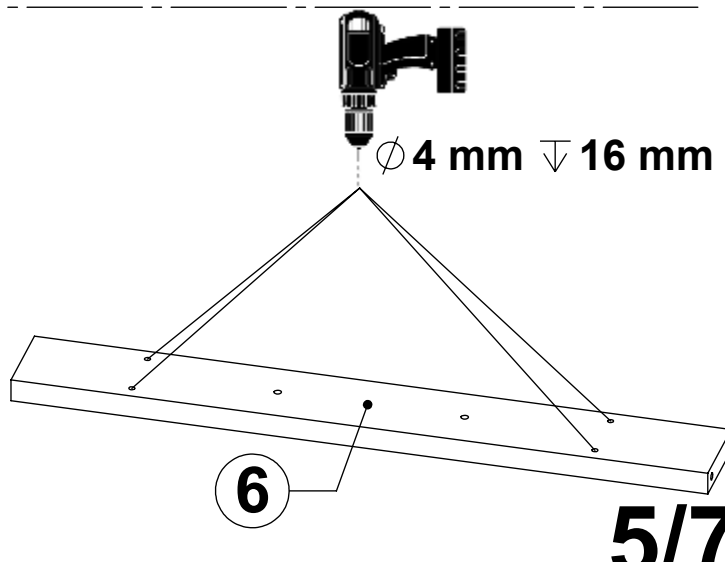
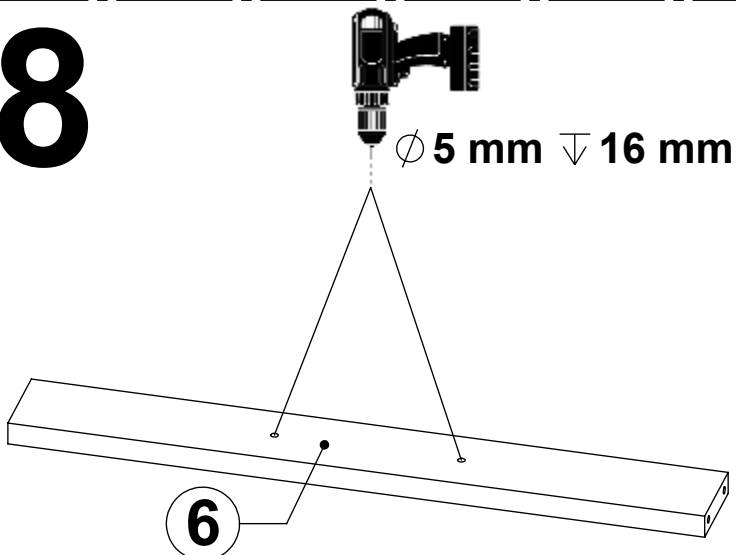
a = b



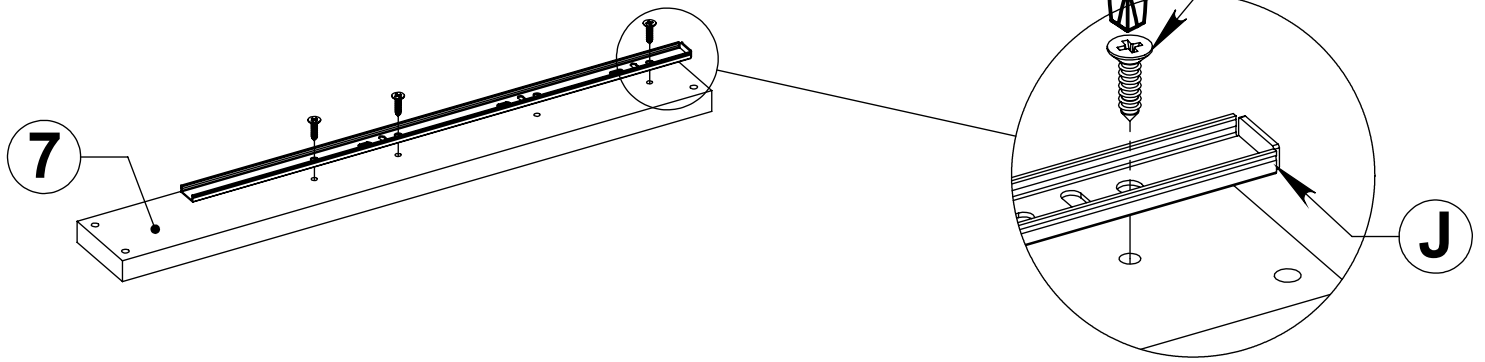
7



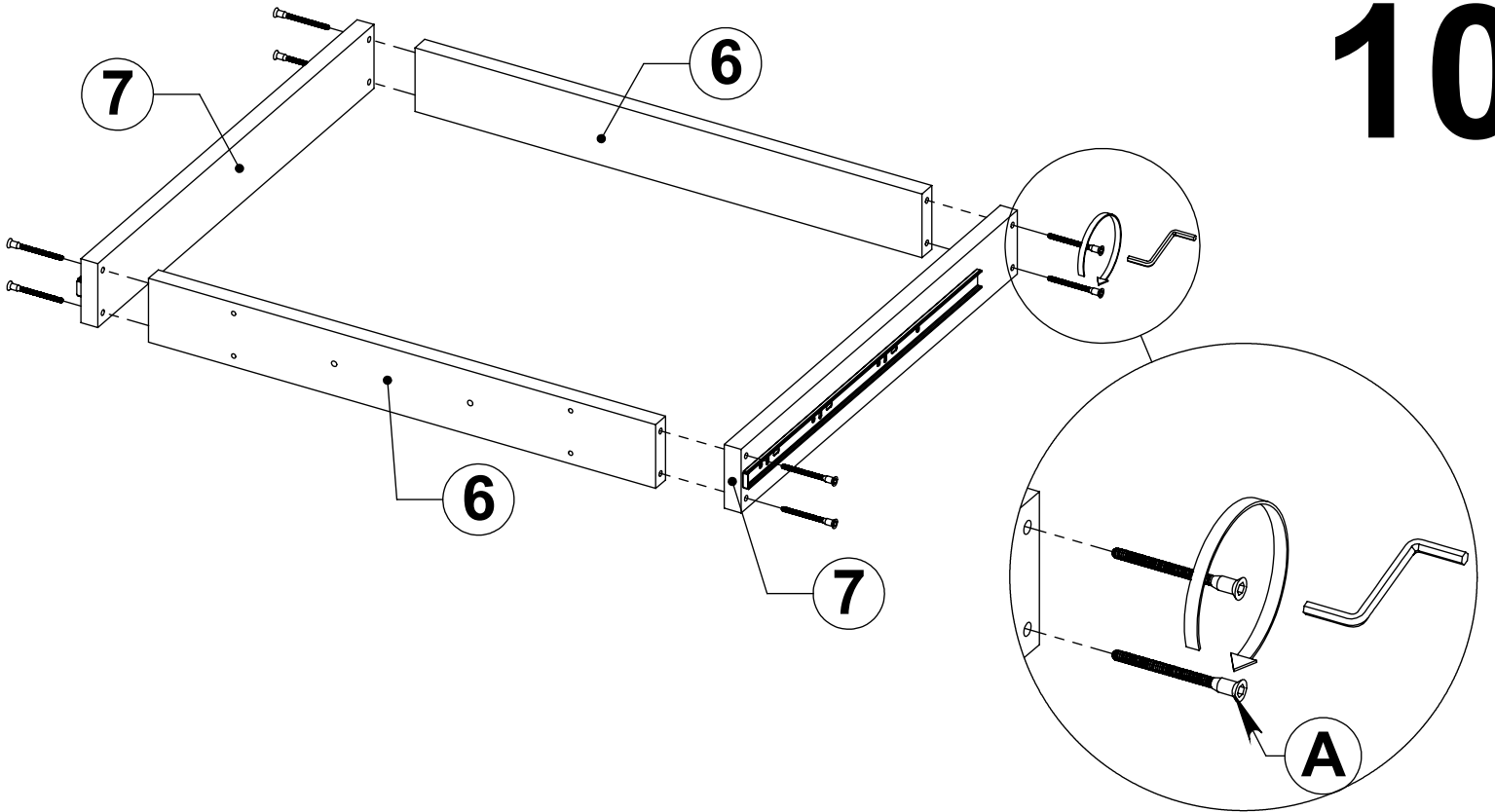
8



9



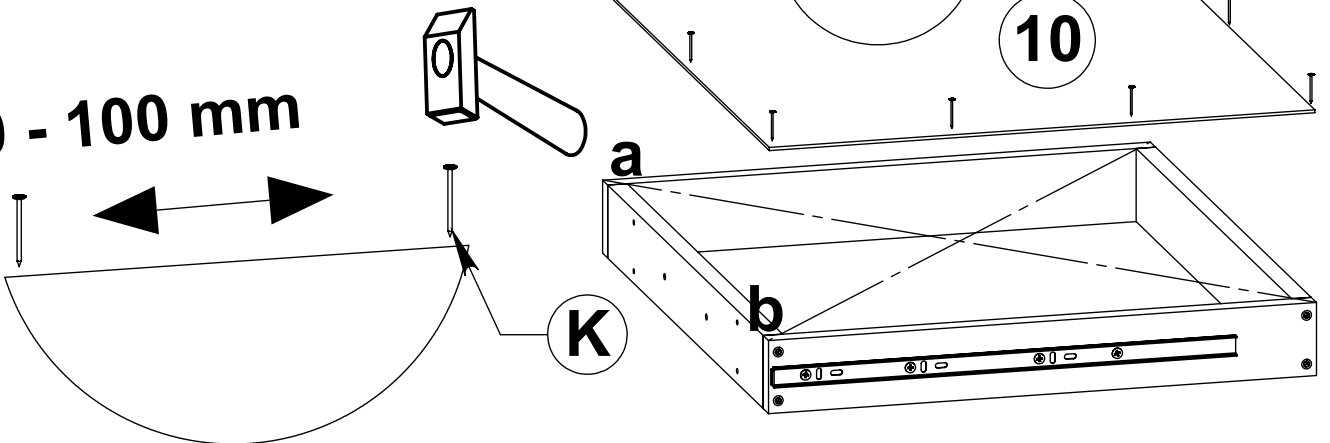
10



11

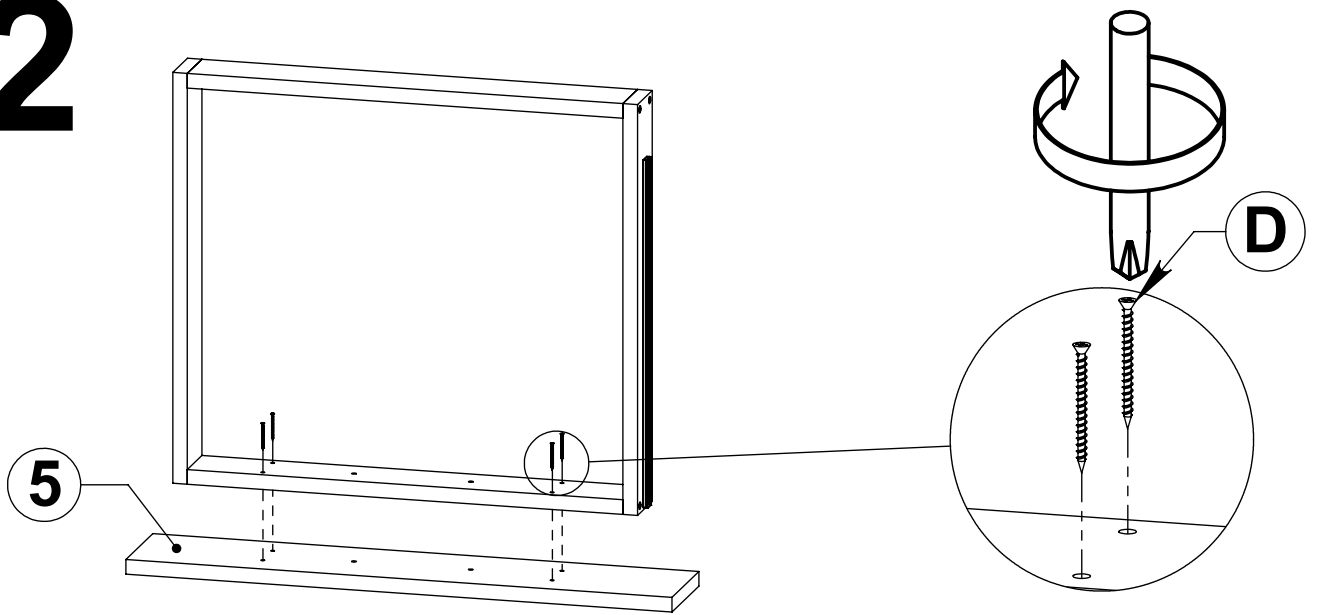
$a = b$

80 - 100 mm

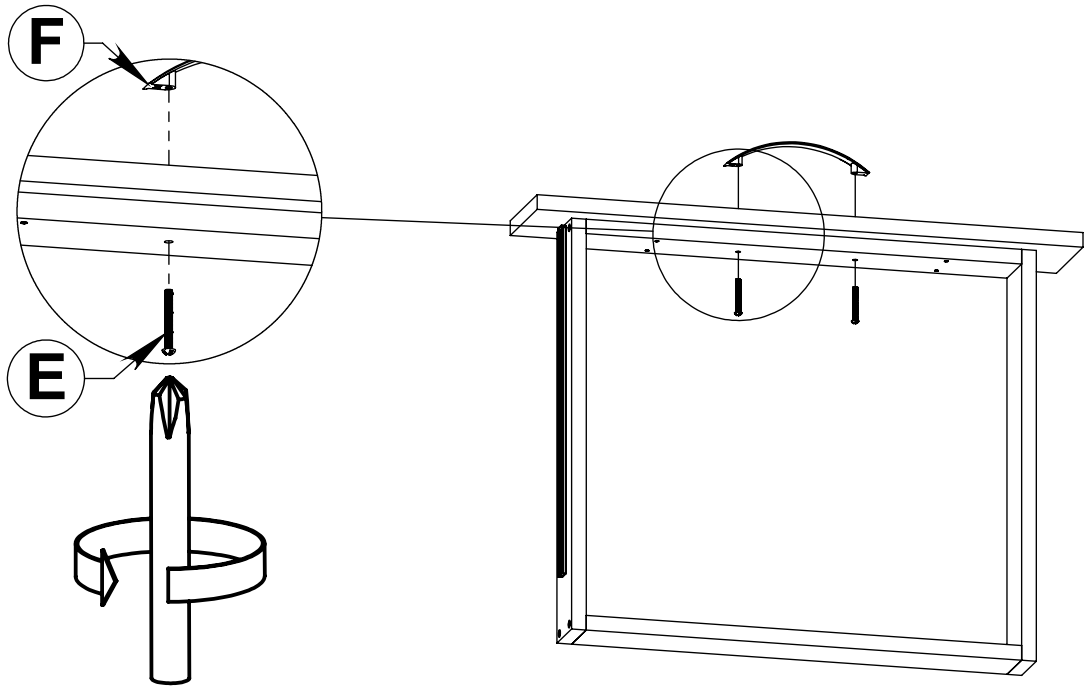


6/7

12



13



14

