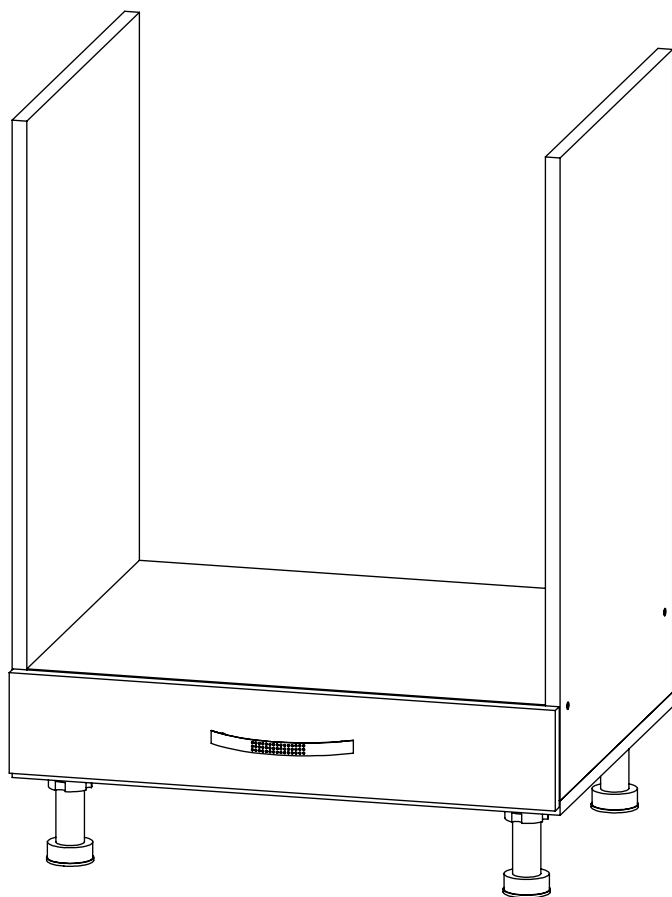












# LOW Units



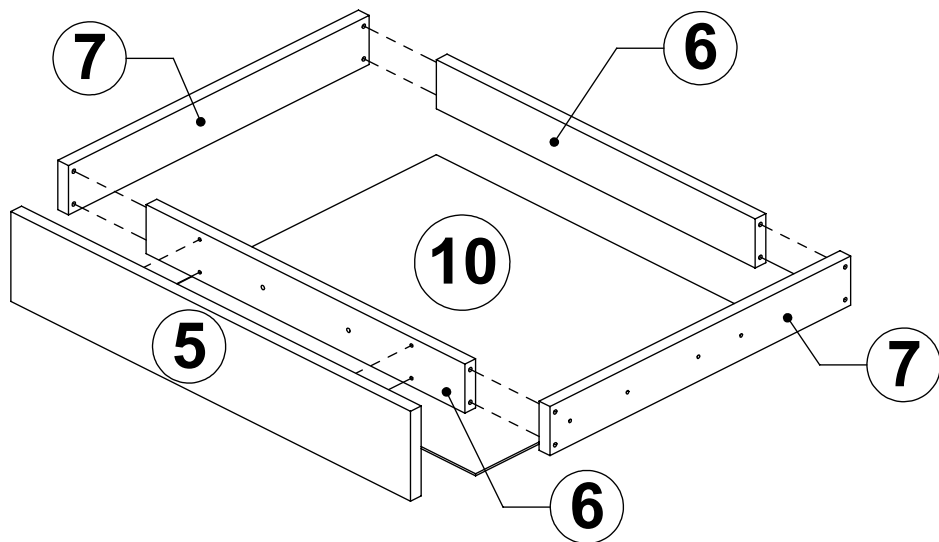
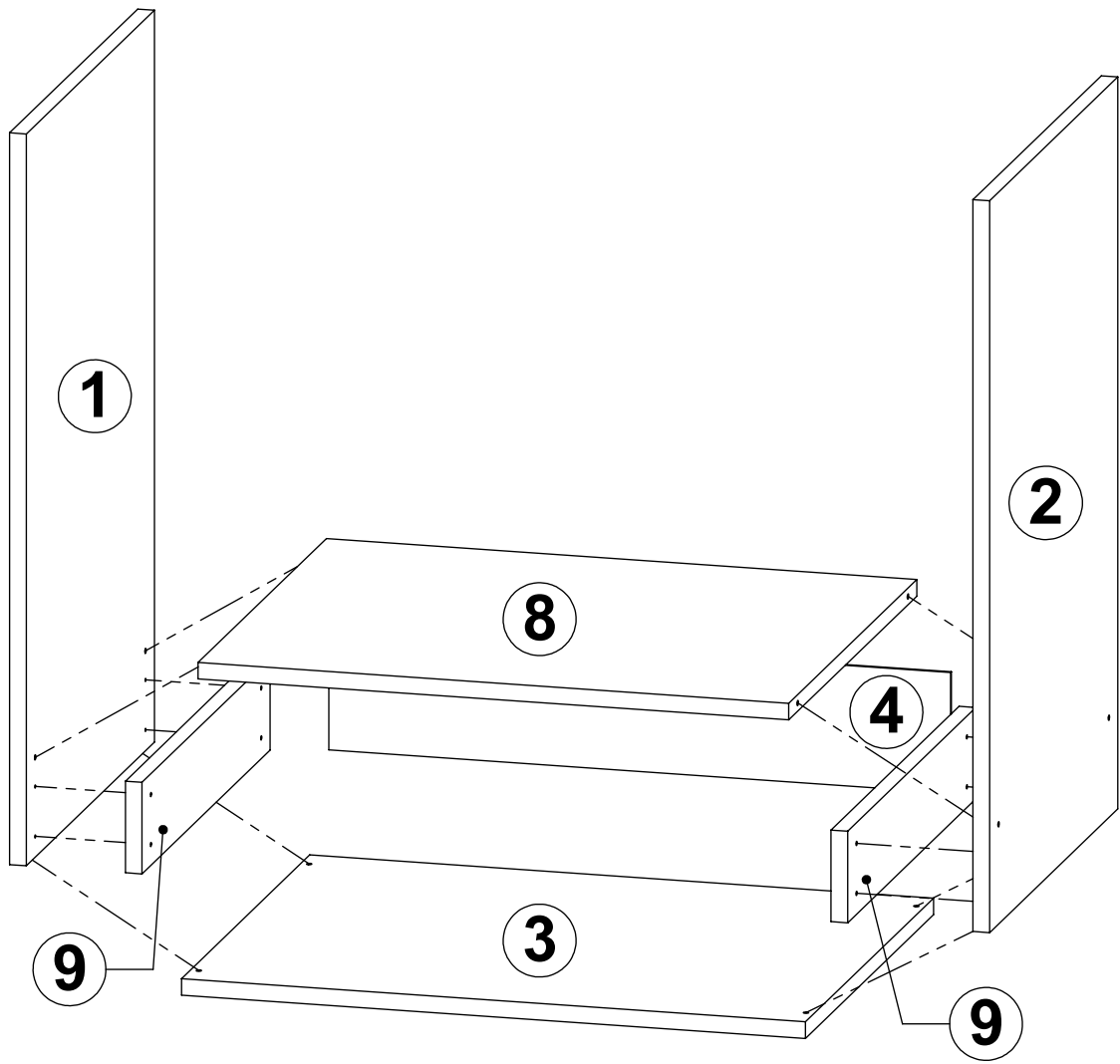
<b>A</b>  <b>x16</b>	<b>B</b> 4.0x16  <b>x36</b>	<b>C</b>  <b>x8</b>
<b>D</b> 4.0x30  <b>x14</b>	<b>E</b> 4x40  <b>x2</b>	<b>F</b>  <b>x1</b>
<b>J</b>  <b>x1</b>	<b>K</b>  <b>10</b>	<b>L</b>  <b>x4</b>
<b>I</b> 3.5x16  <b>x6</b>		

**No**

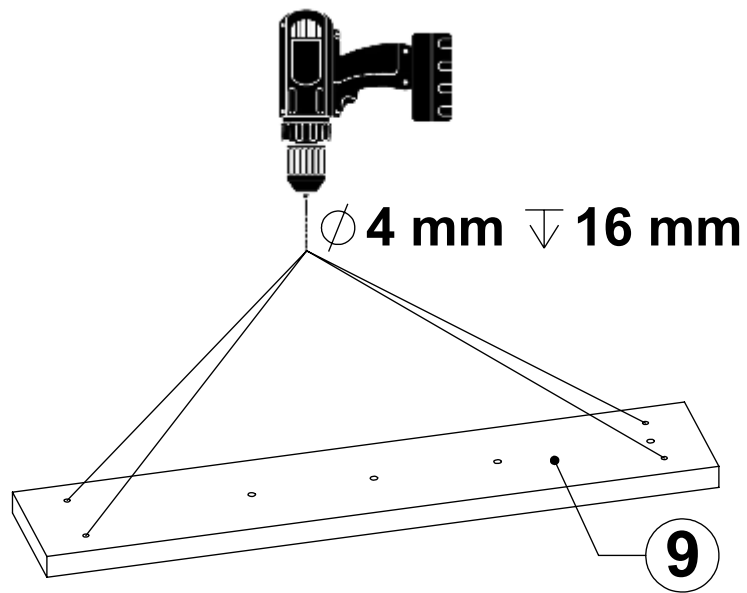
**LG6082**

**X**

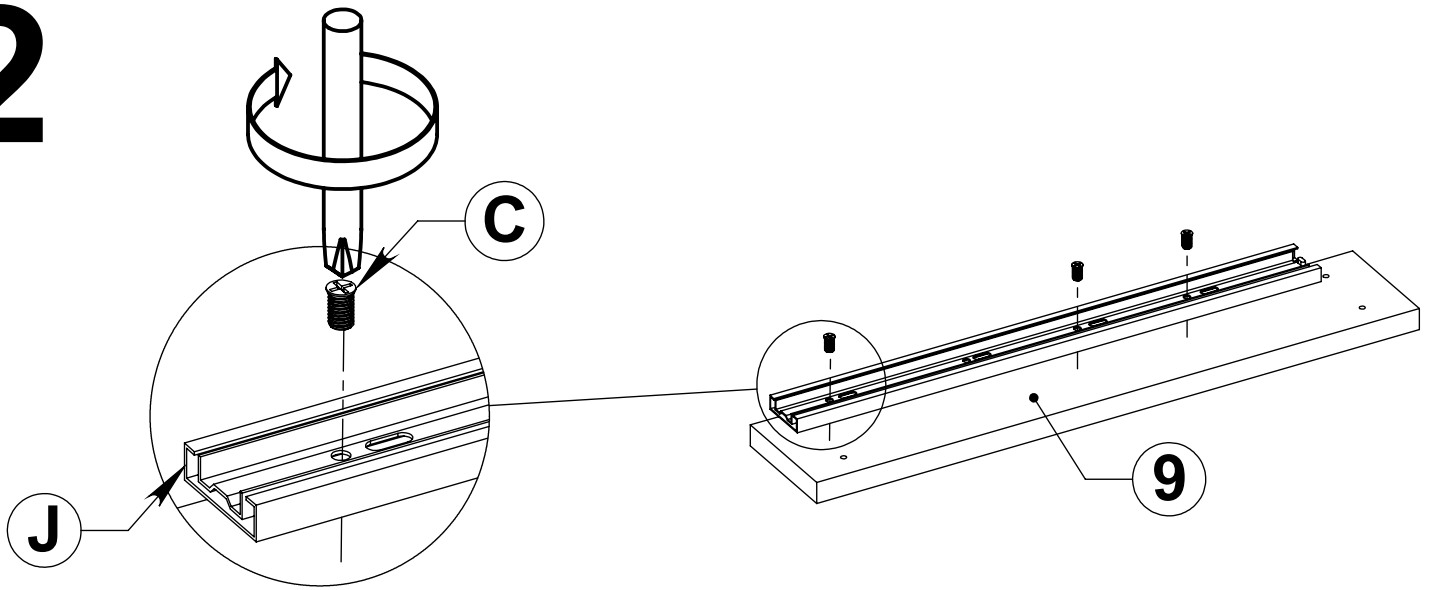
①	704x460	1
②	704x460	1
③	600x460	1
④	116x598	1
⑤	110x598	1
⑥	477x60	2
⑦	450x60	2
⑧	568x460	1
⑨	460x88	2
⑩	507x448	1



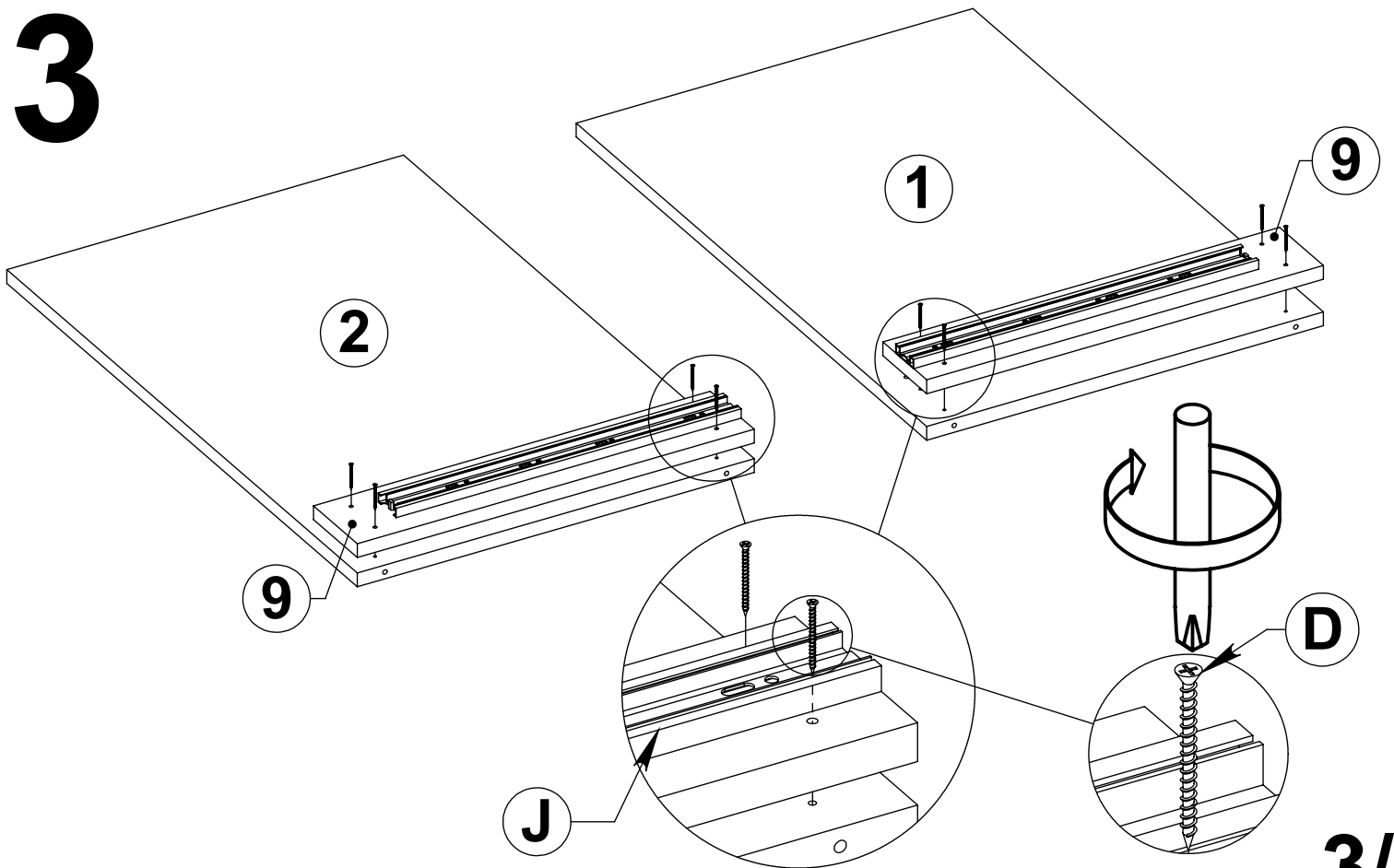
# 1



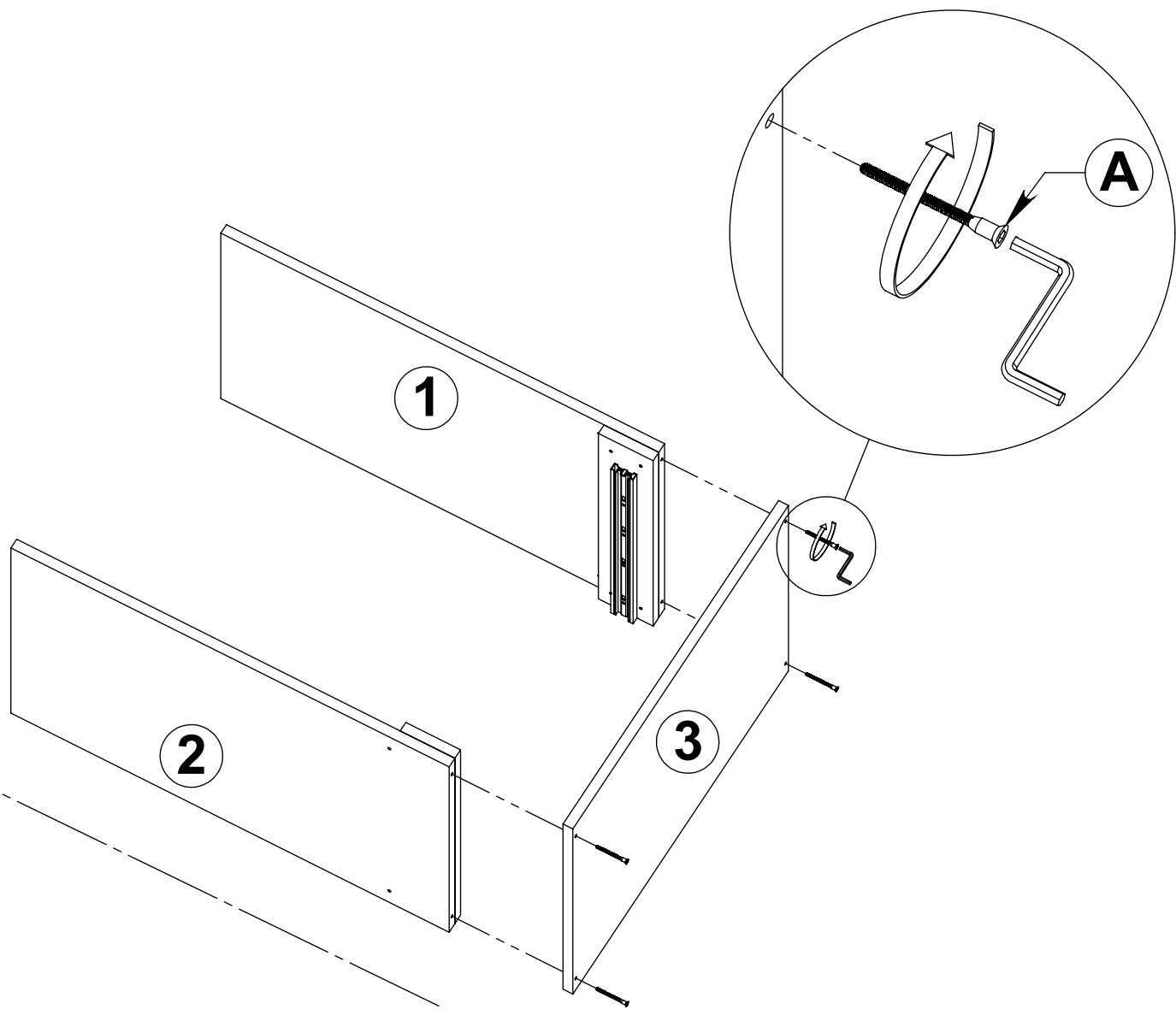
# 2



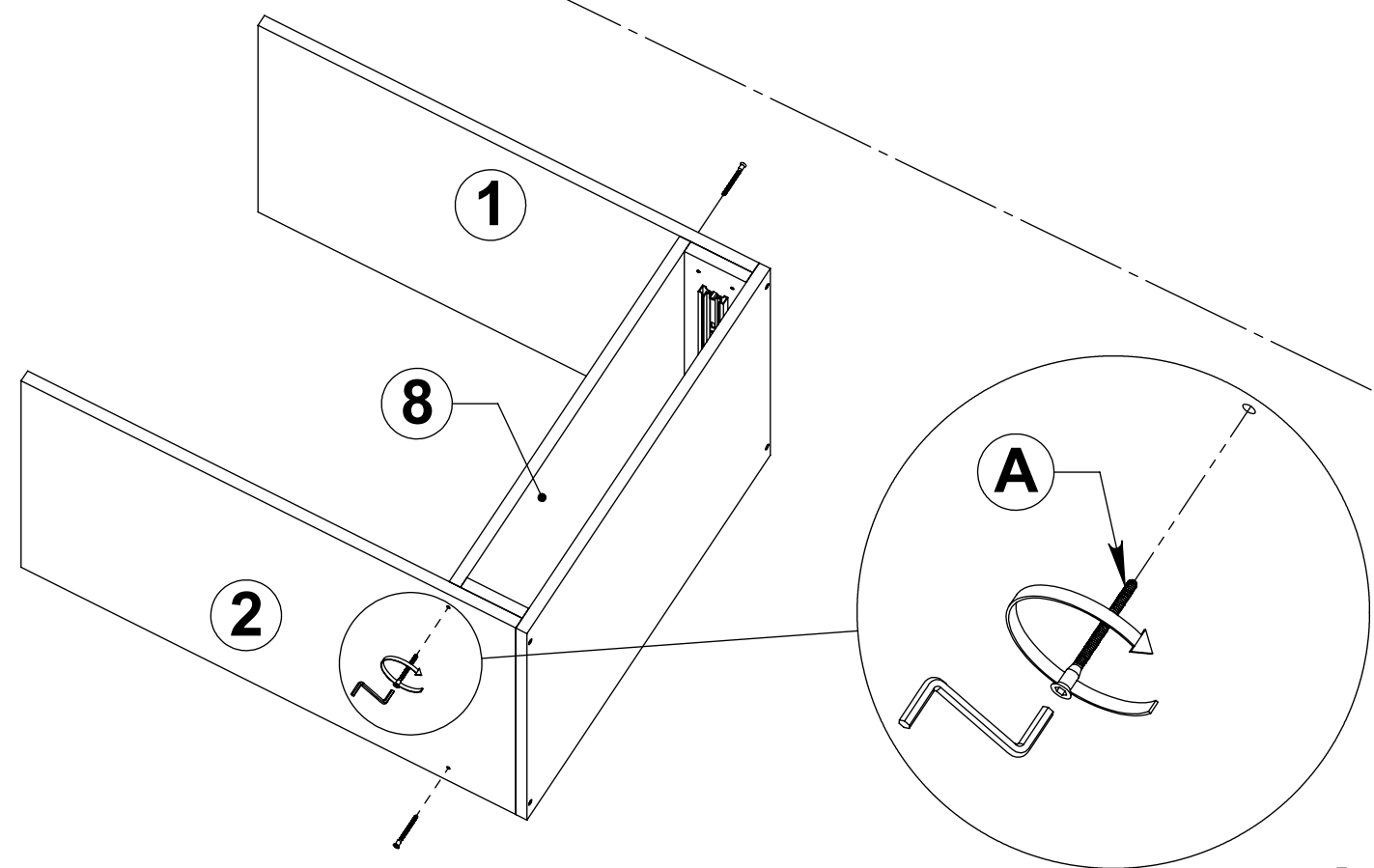
# 3



# 4

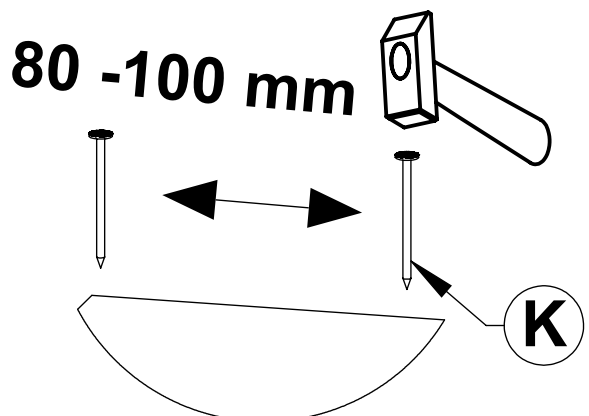
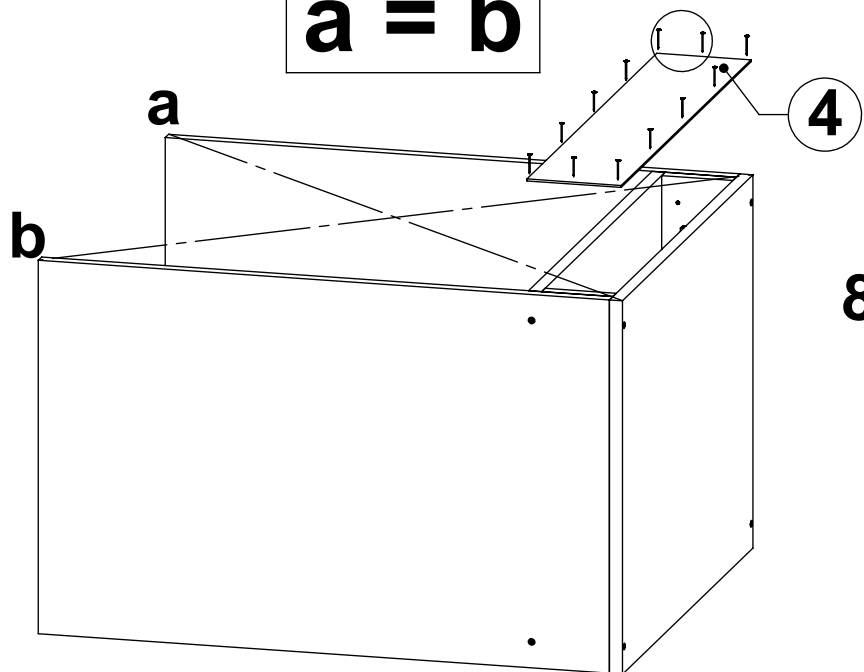


# 5

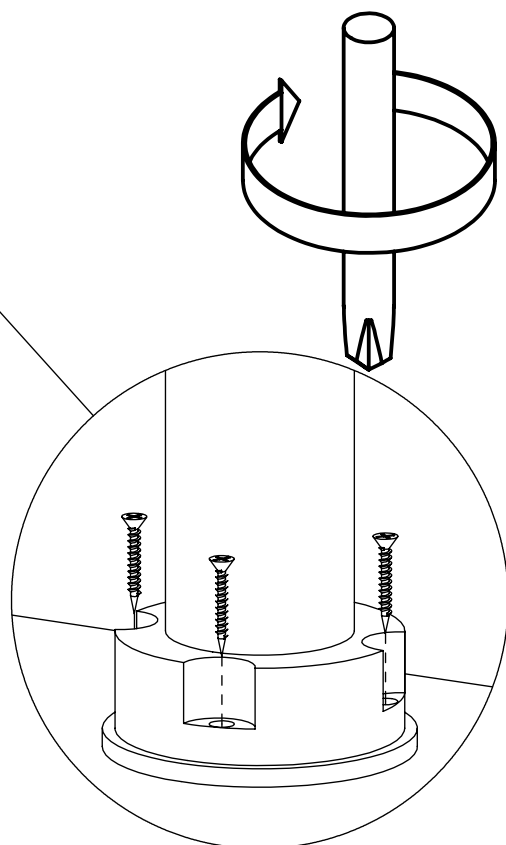
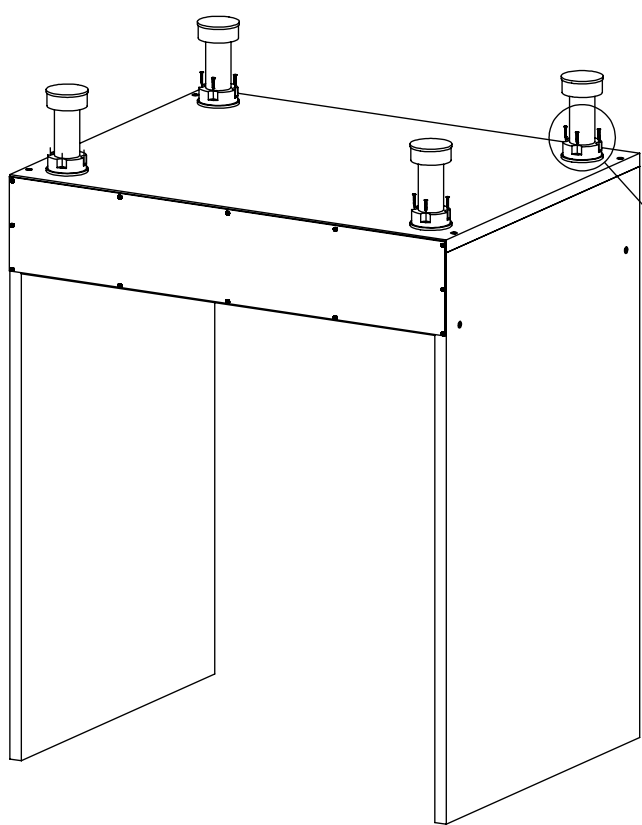


# 6

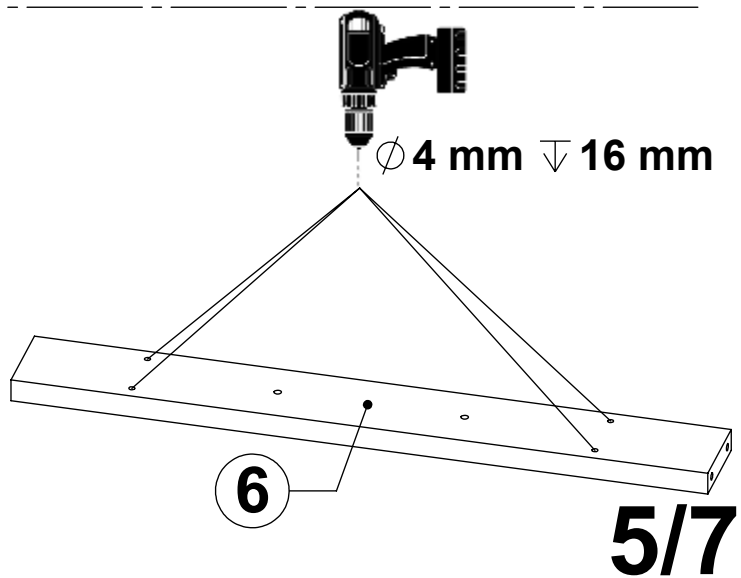
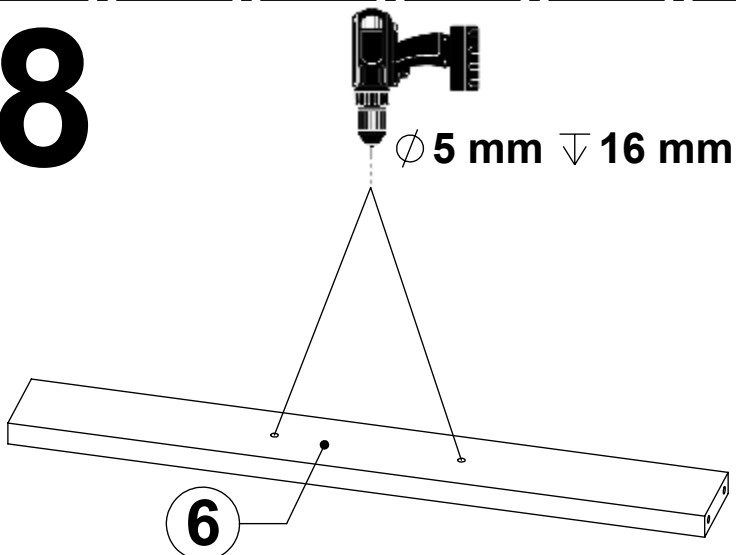
**a = b**



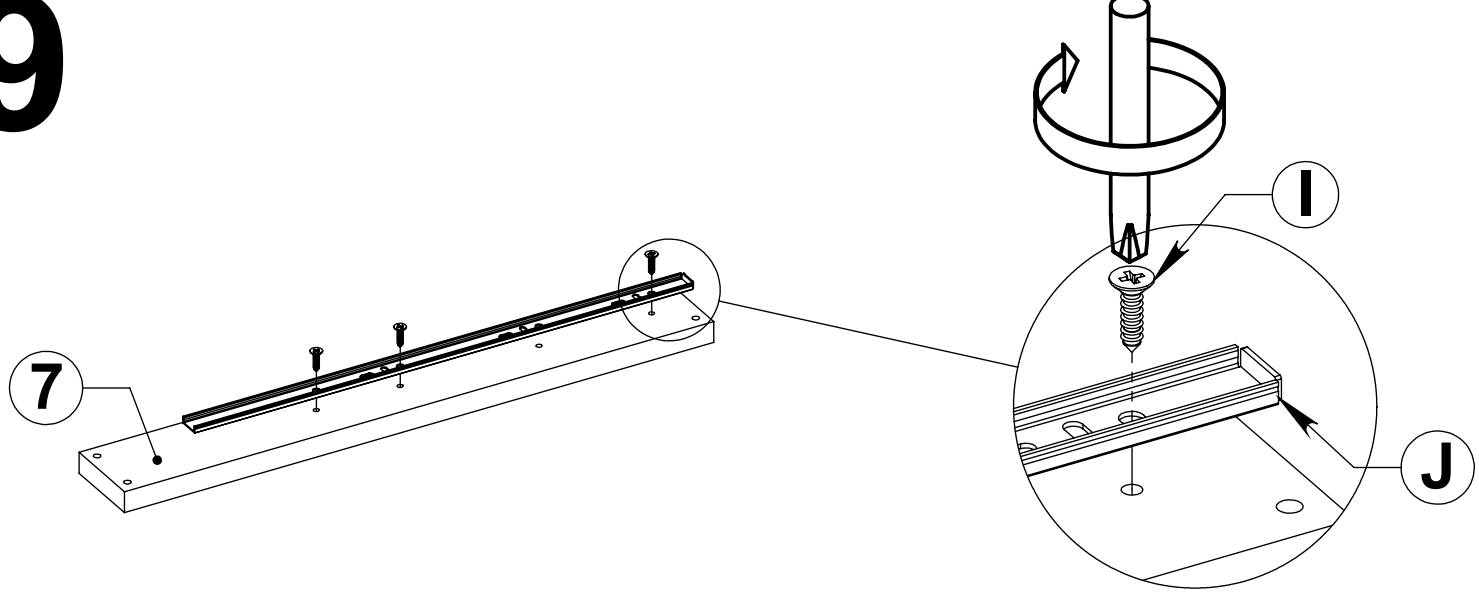
# 7



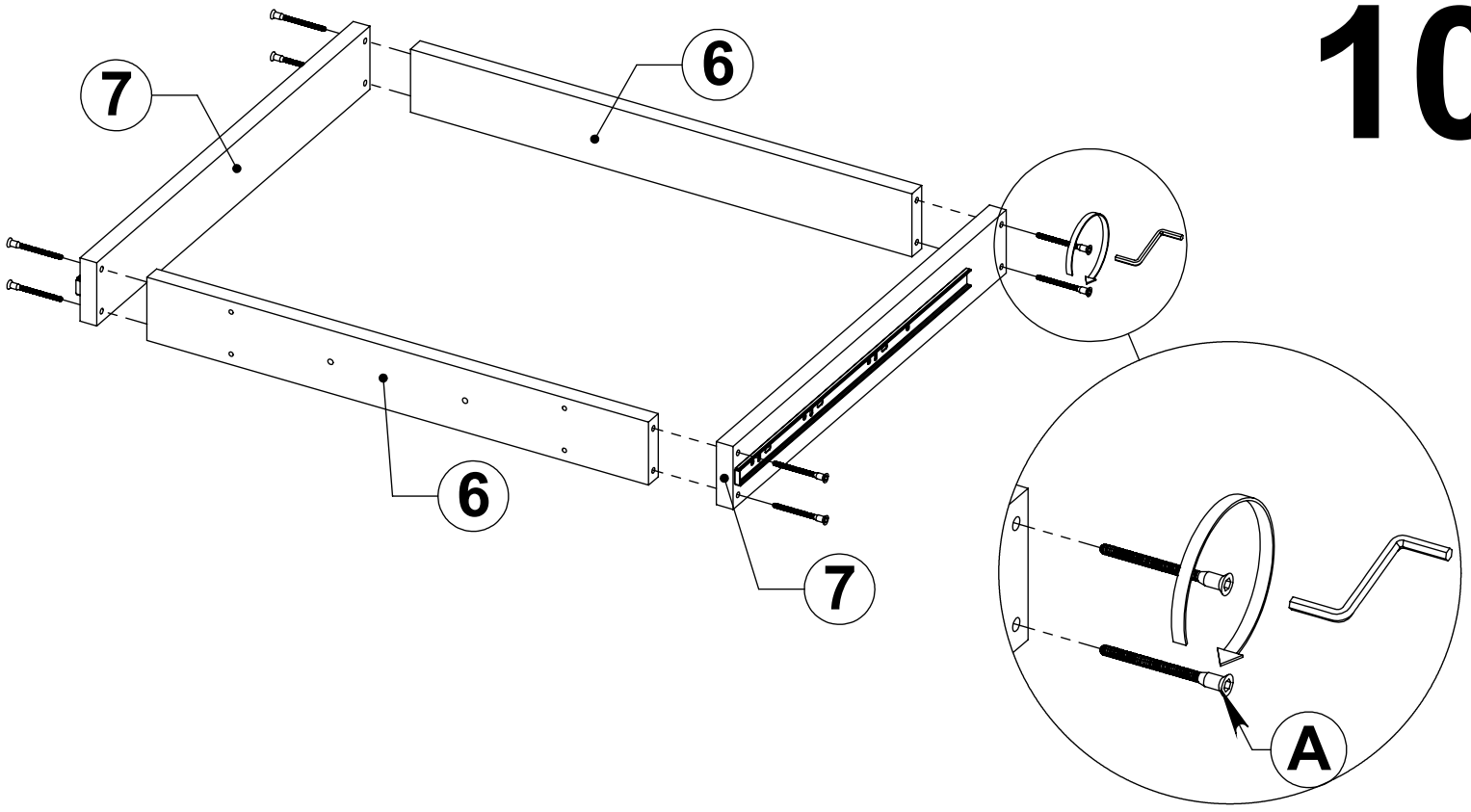
# 8



# 9



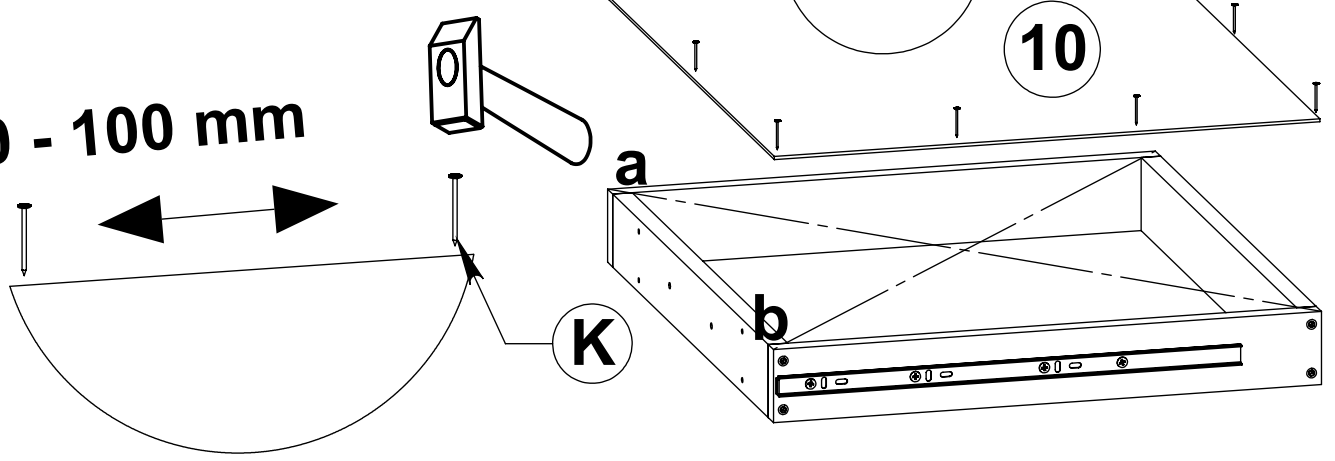
# 10



# 11

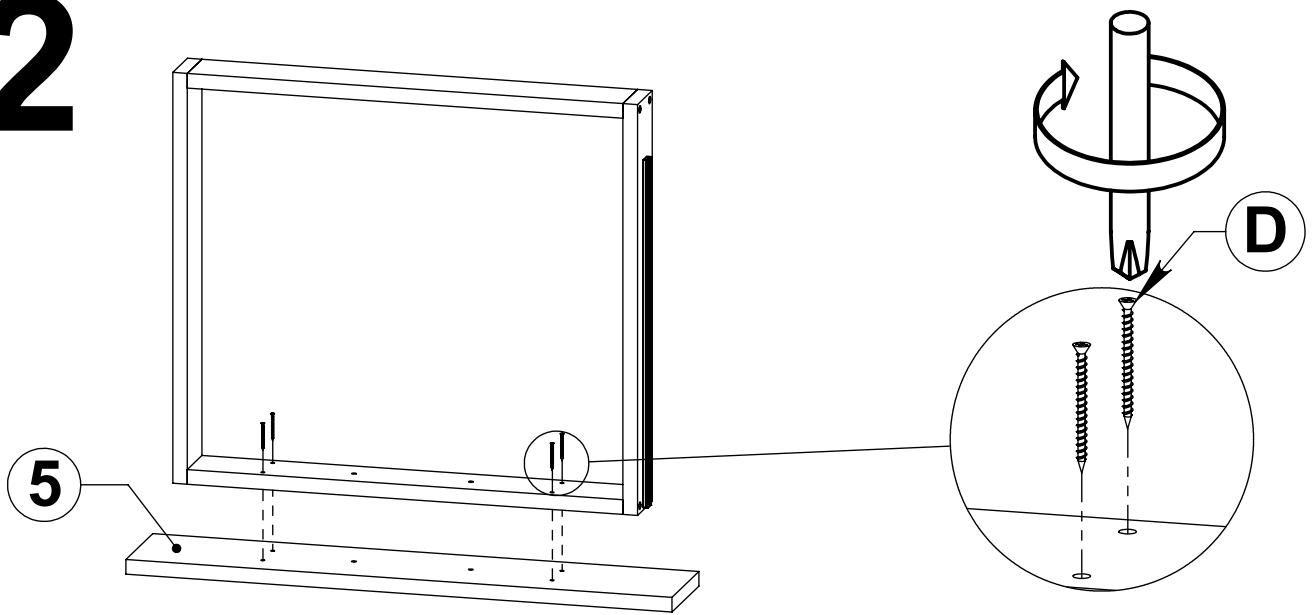
$a = b$

80 - 100 mm

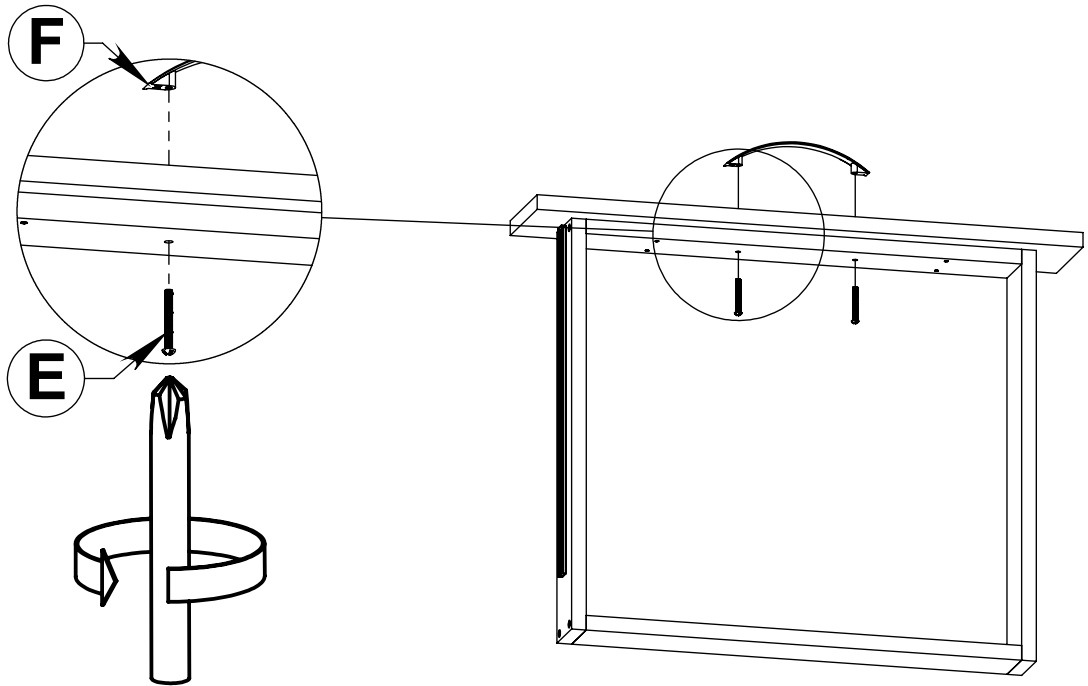


6/7

# 12



# 13



# 14

