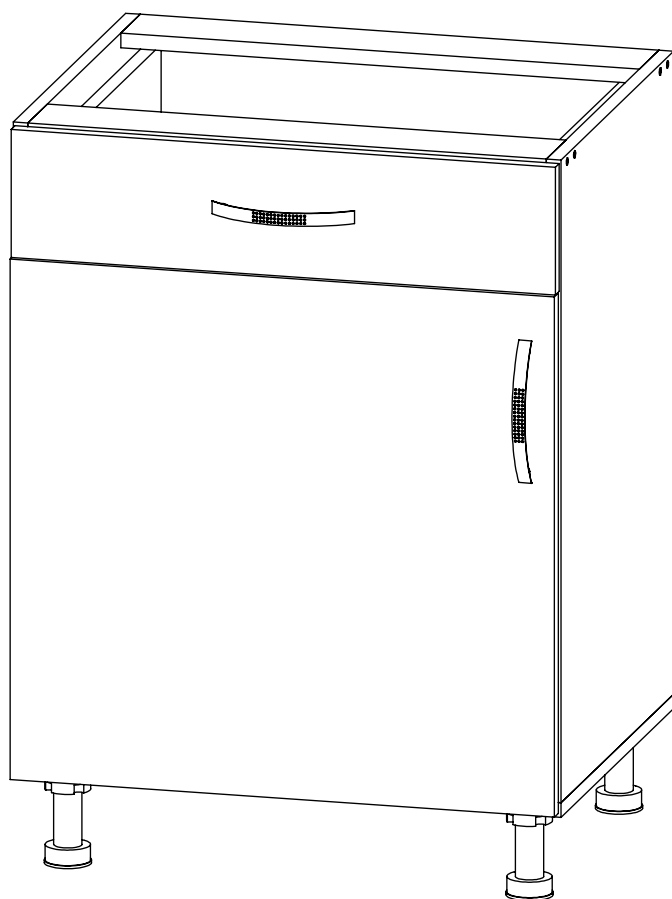
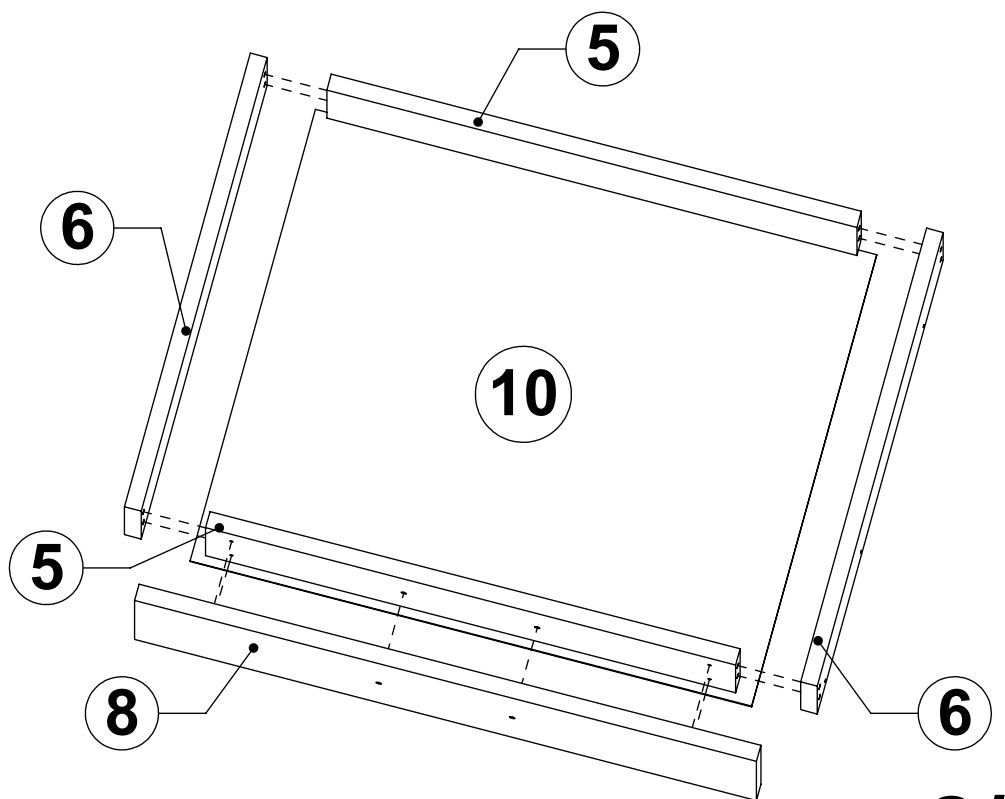
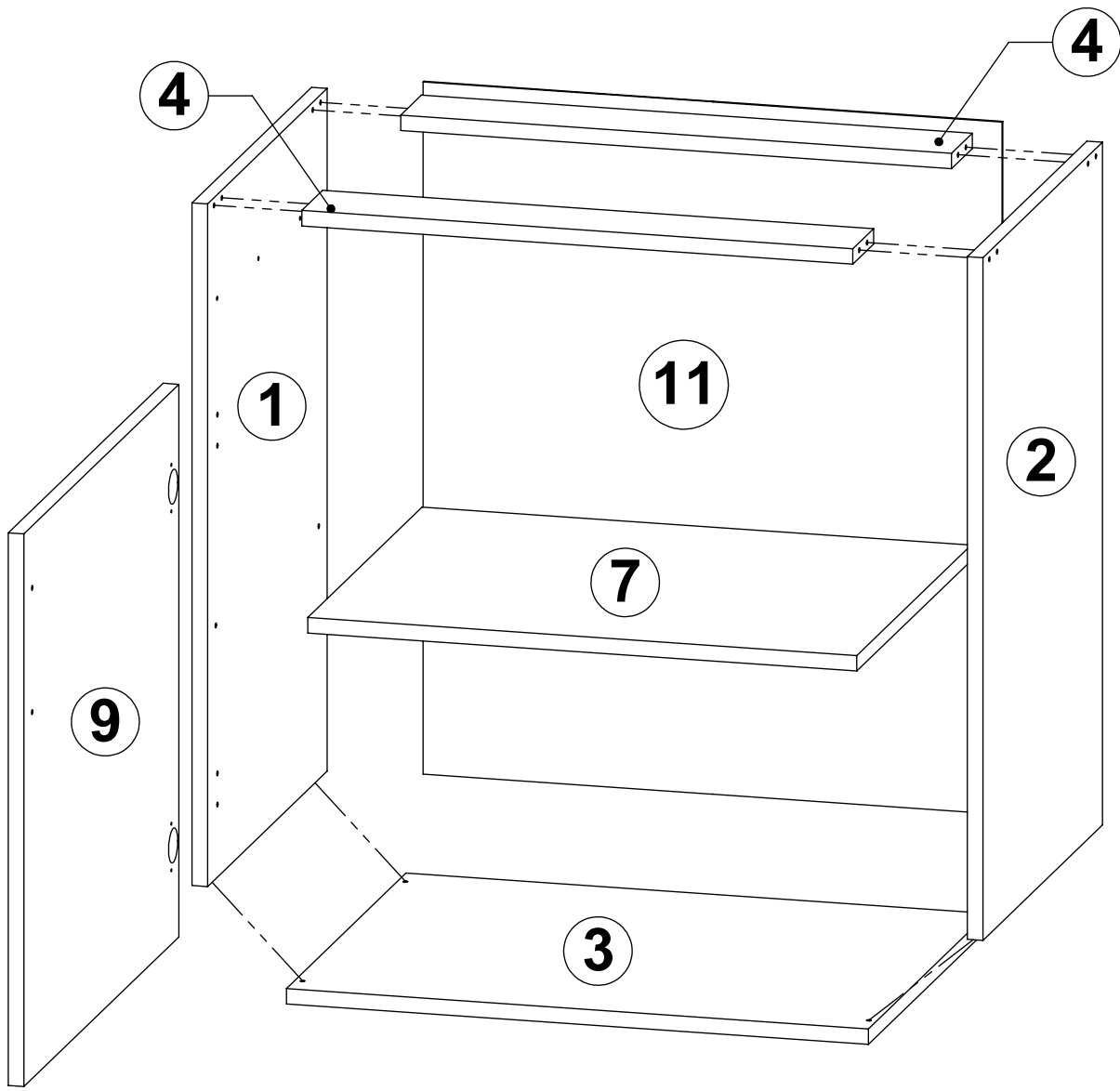


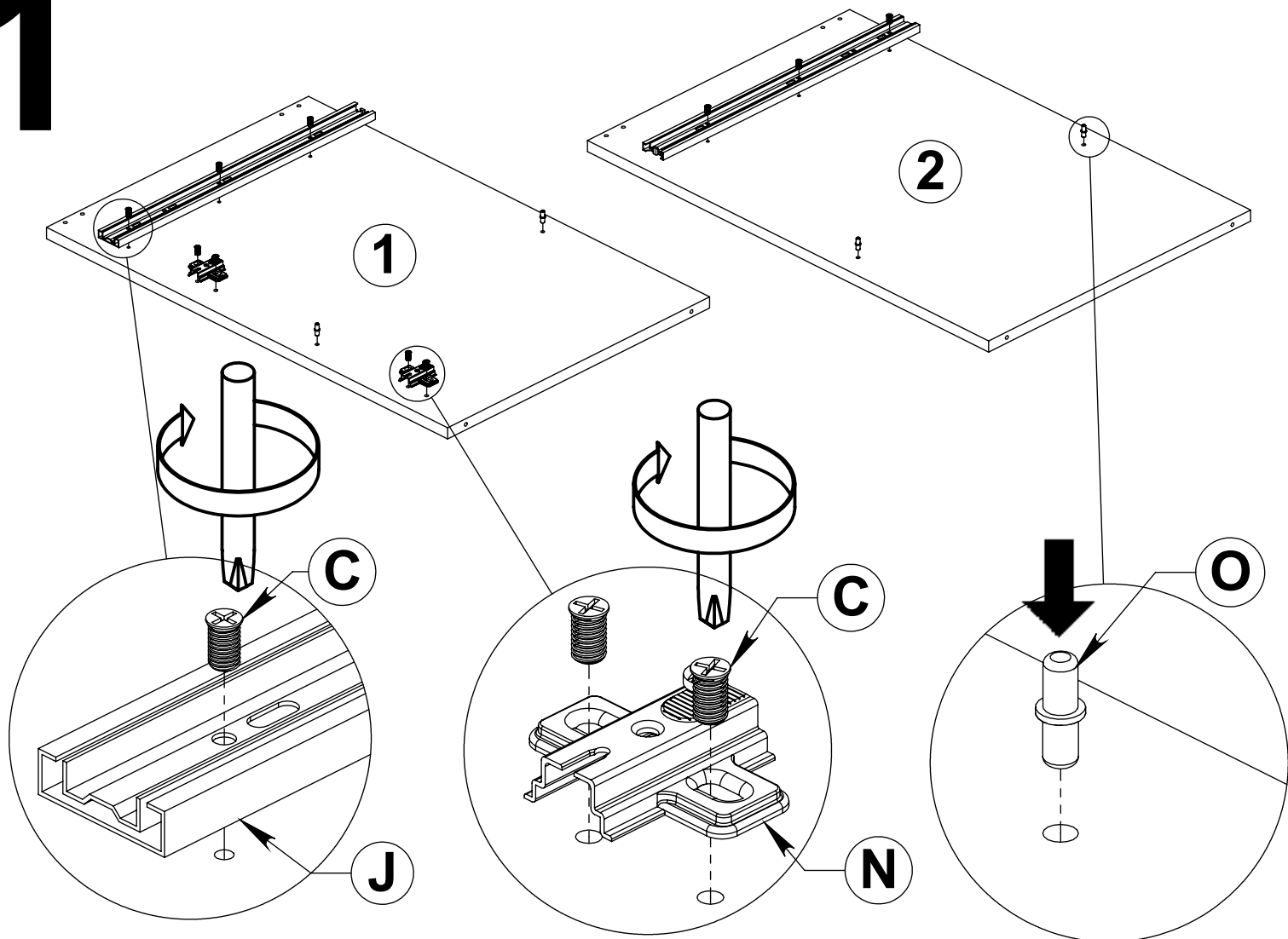
LOW Units



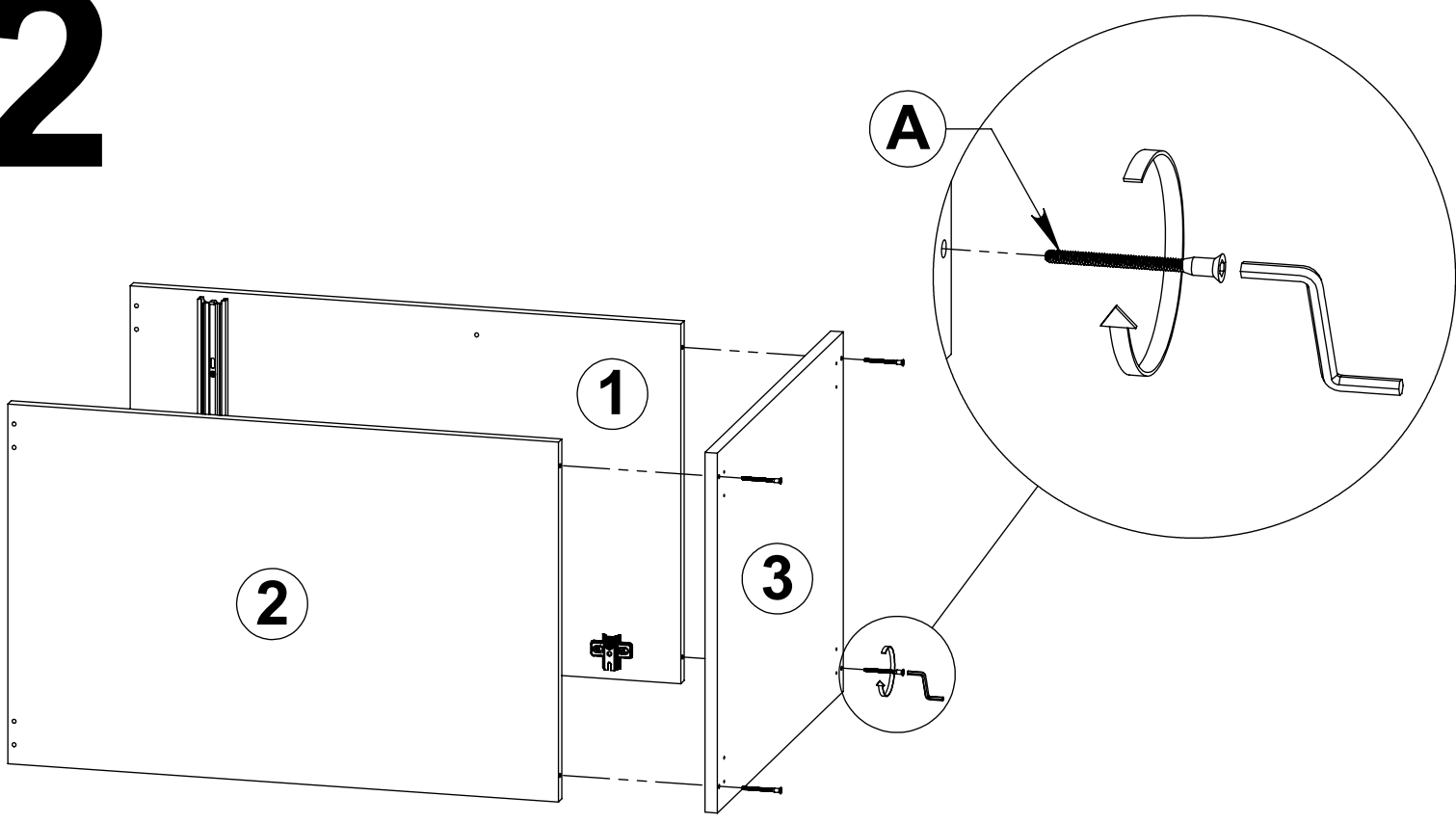
No	LDD1140	X	LDD1150	X	LDD1160	X
①	704x460	1	704x460	1	704x460	1
②	704x460	1	704x460	1	704x460	1
③	400x460	1	500x460	1	600x460	1
④	368x80	2	468x80	2	568x80	2
⑤	308x100	2	408x100	2	508x100	2
⑥	450x100	2	450x100	2	450x100	2
⑦	366x440	1	446x440	1	566x440	1
⑧	140x396	1	140x496	1	140x596	1
⑨	570x396	1	570x496	1	570x596	1
⑩	338x448	1	438x448	1	538x448	1
⑪	714x398	1	714x198	1	714x298	2
⑫	-	-	714x148	2	-	-



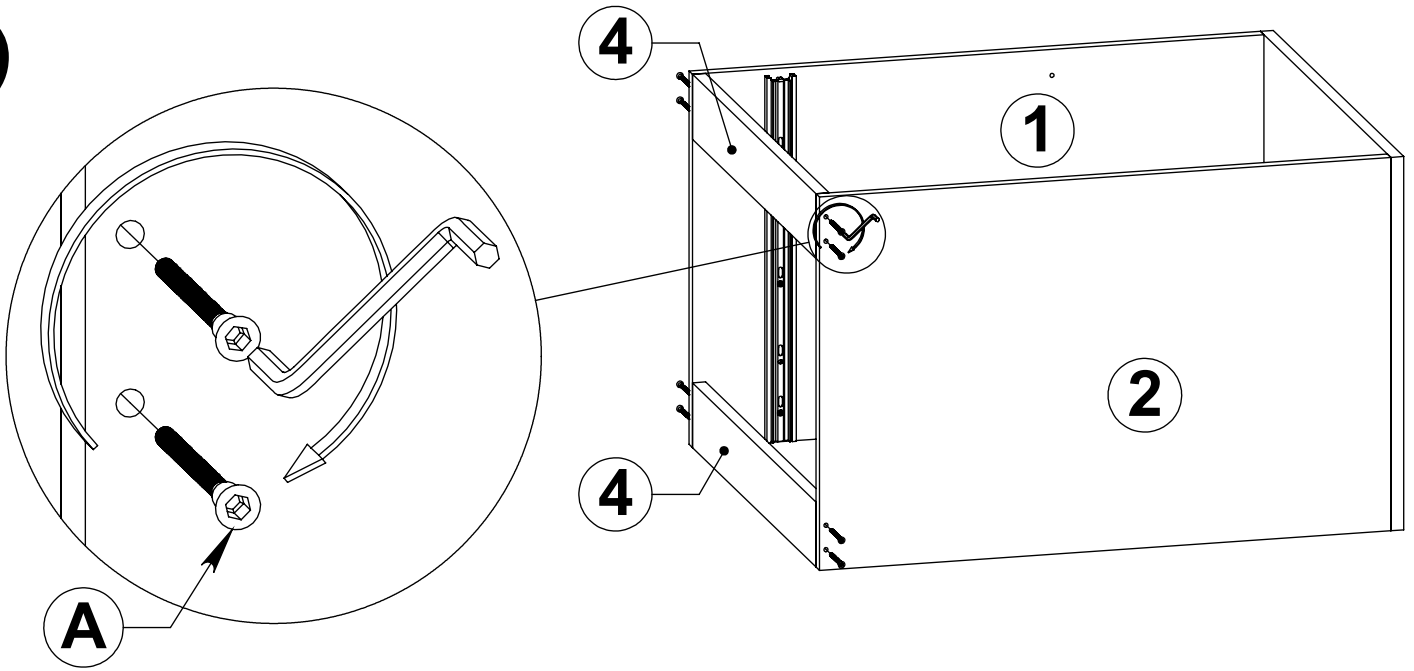
1



2



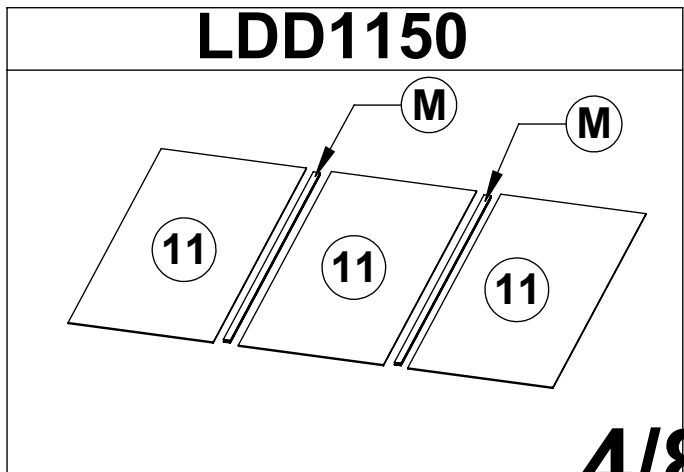
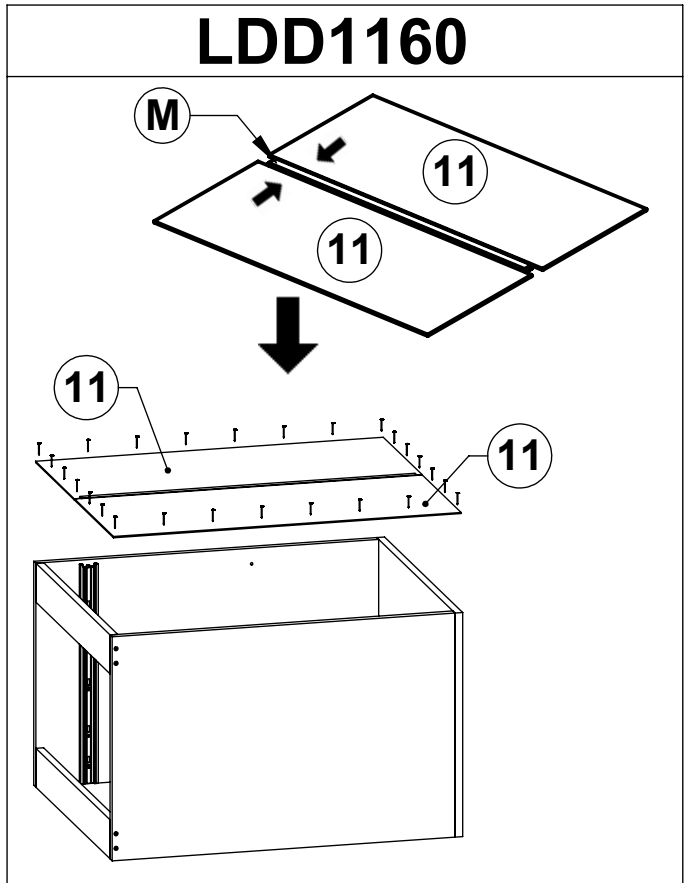
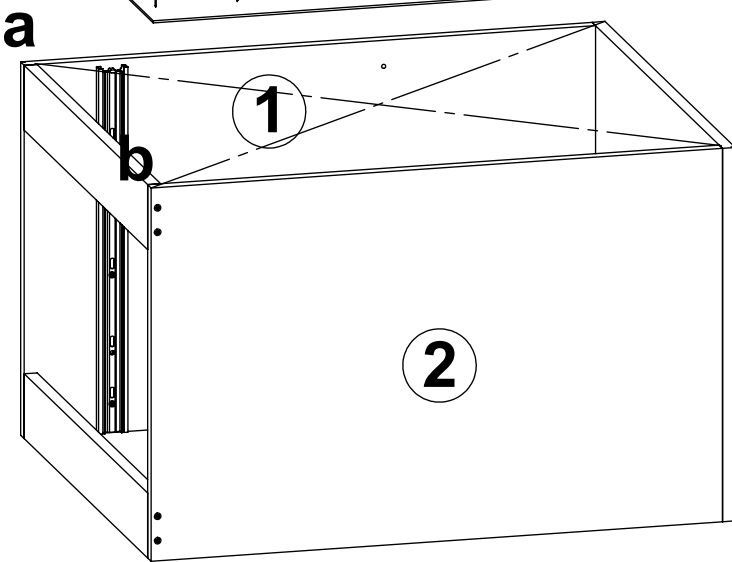
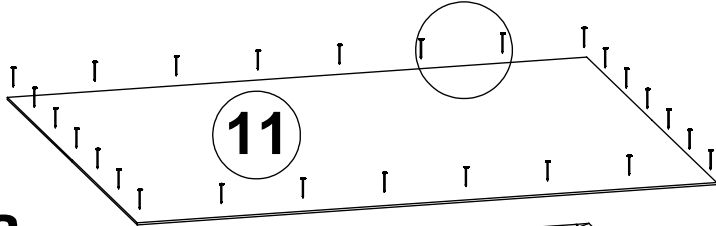
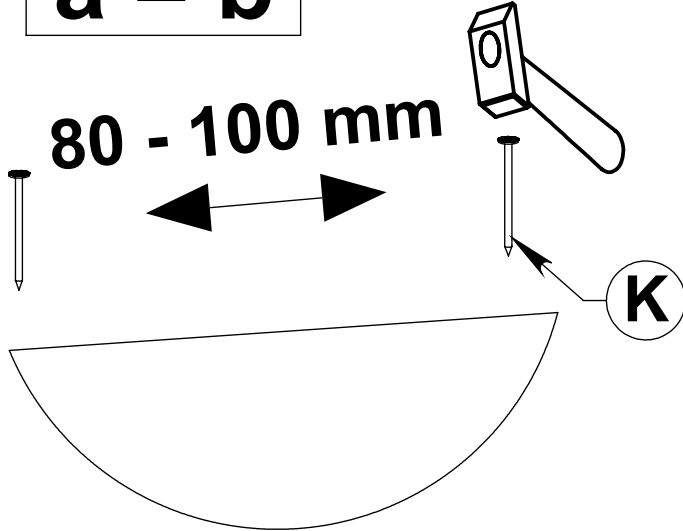
3



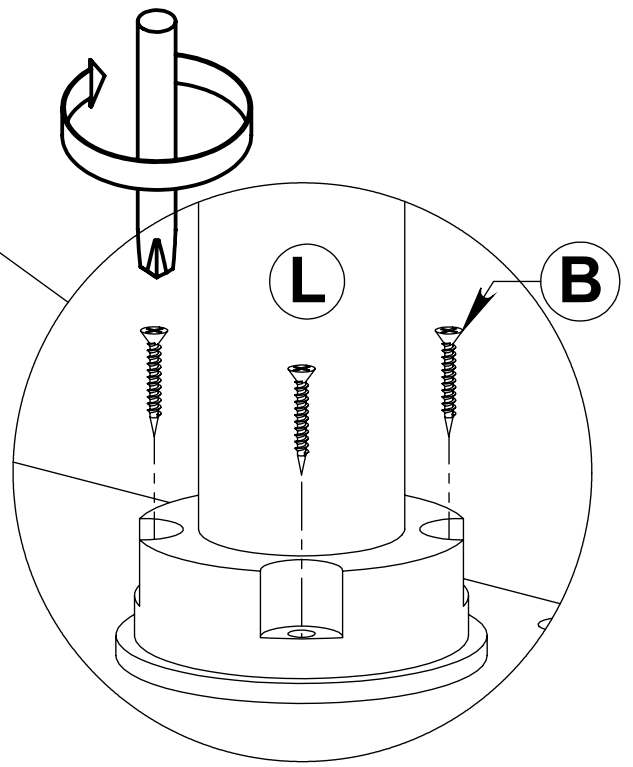
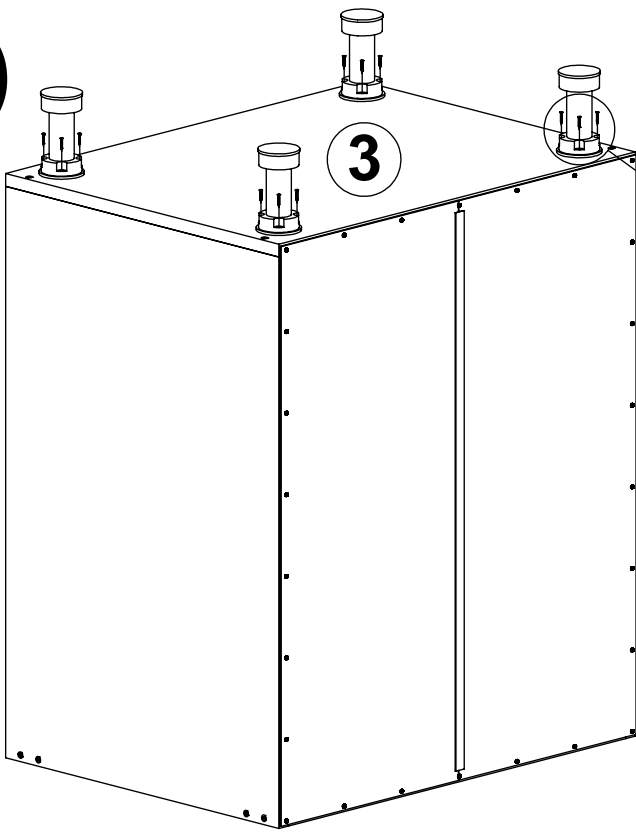
4

$a = b$

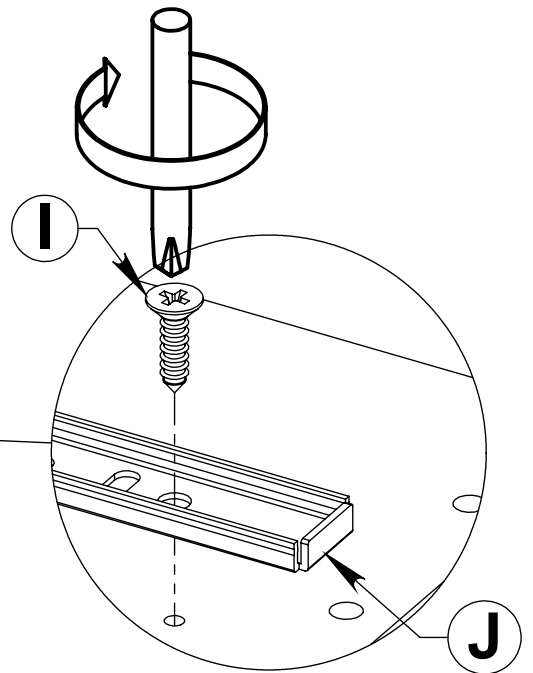
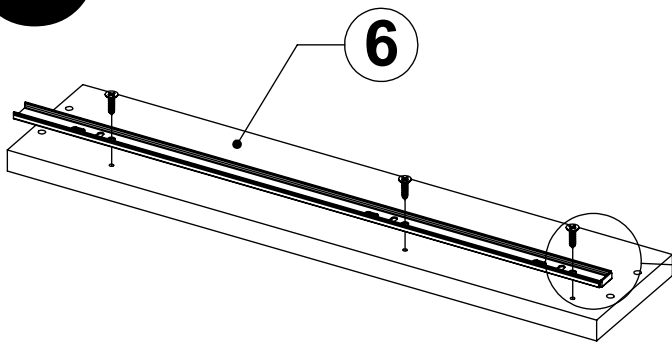
80 - 100 mm



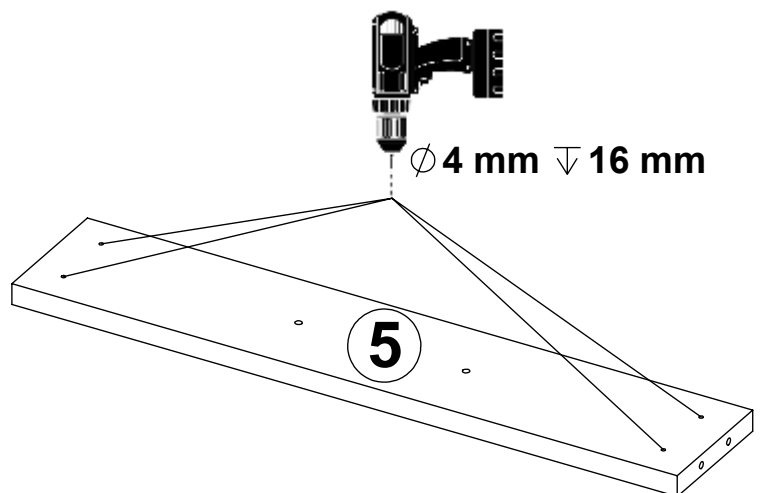
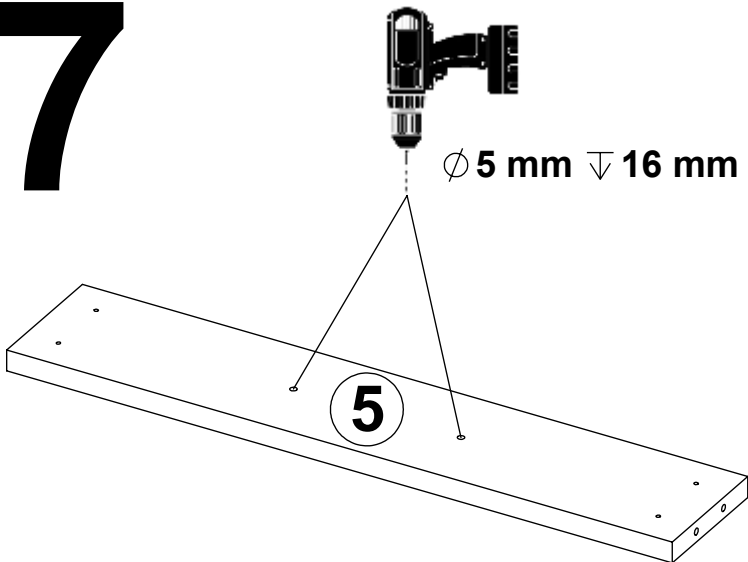
5



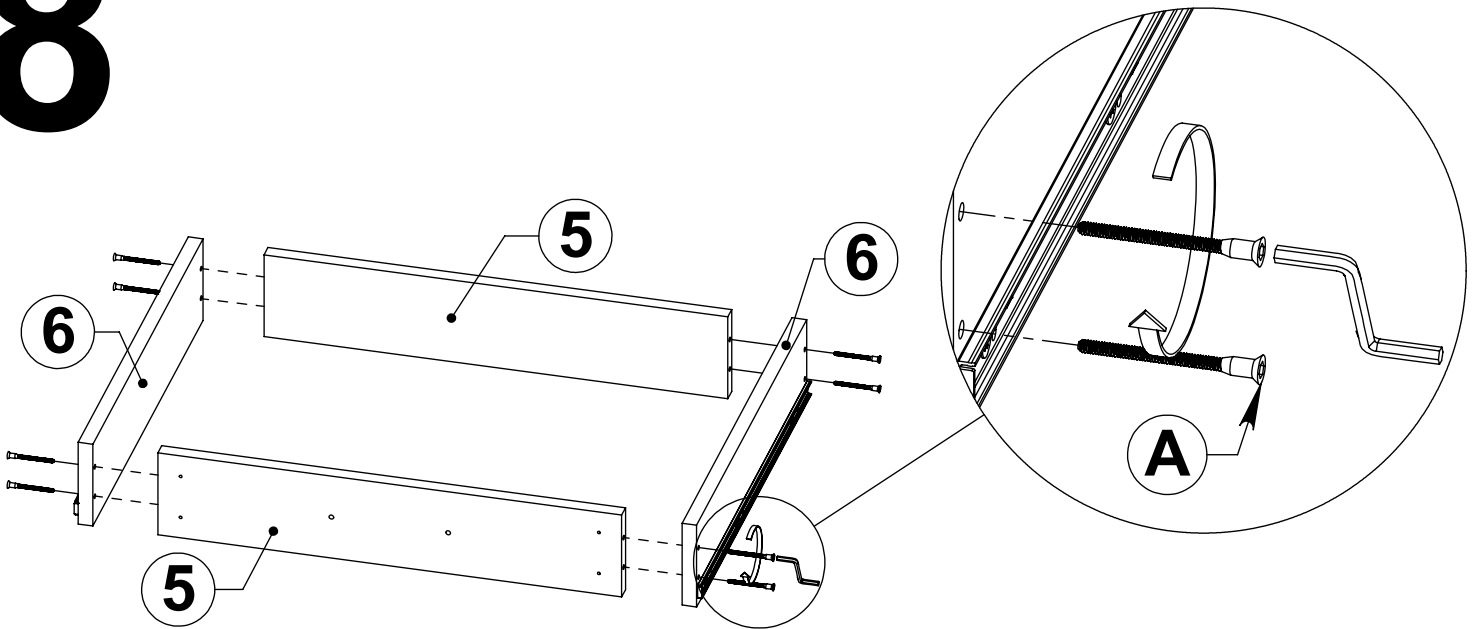
6



7

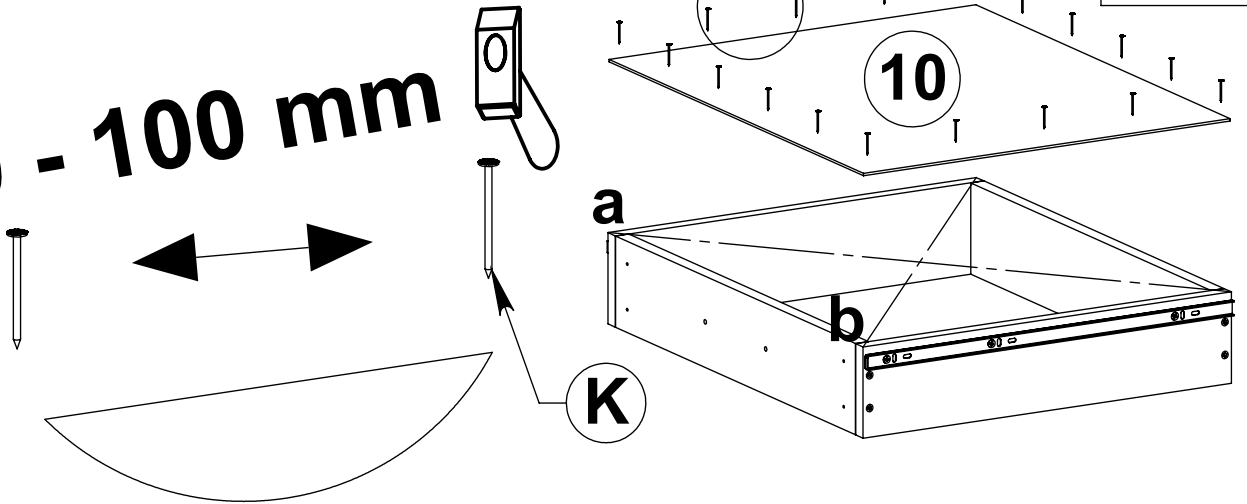


8



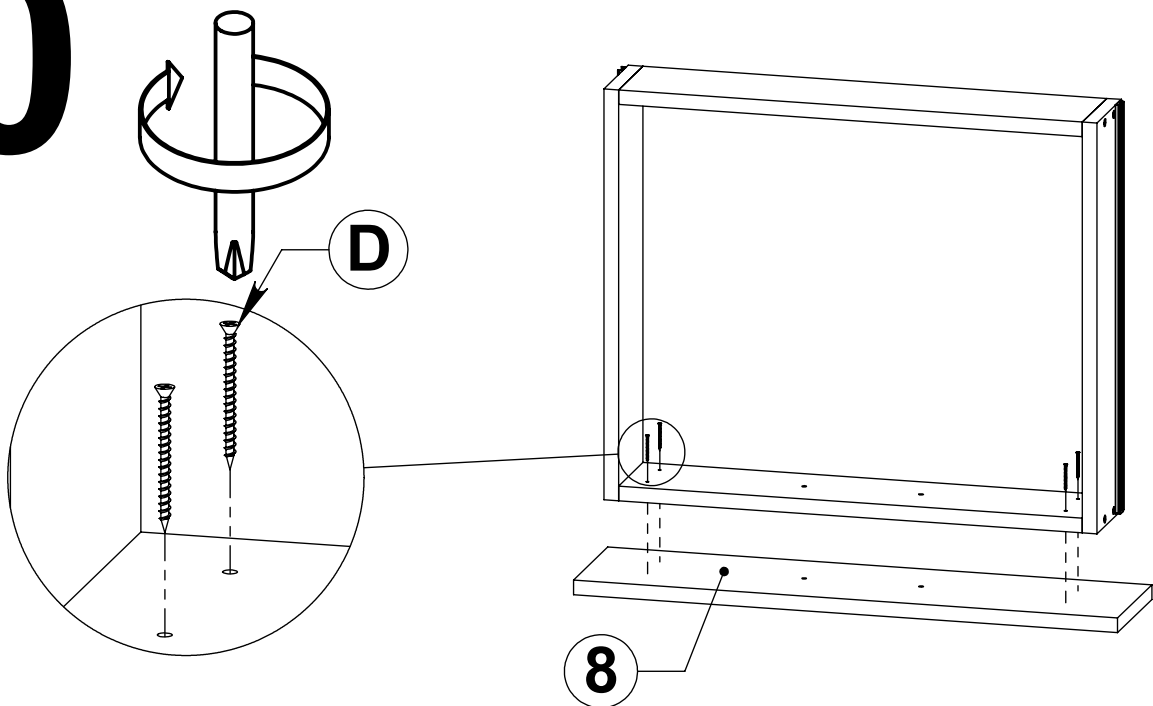
9

80 - 100 mm



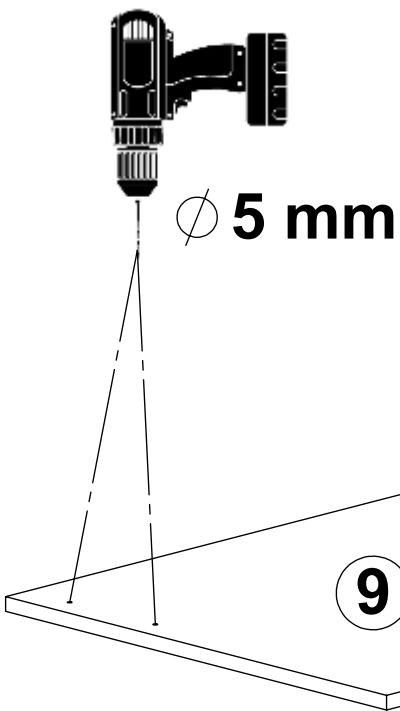
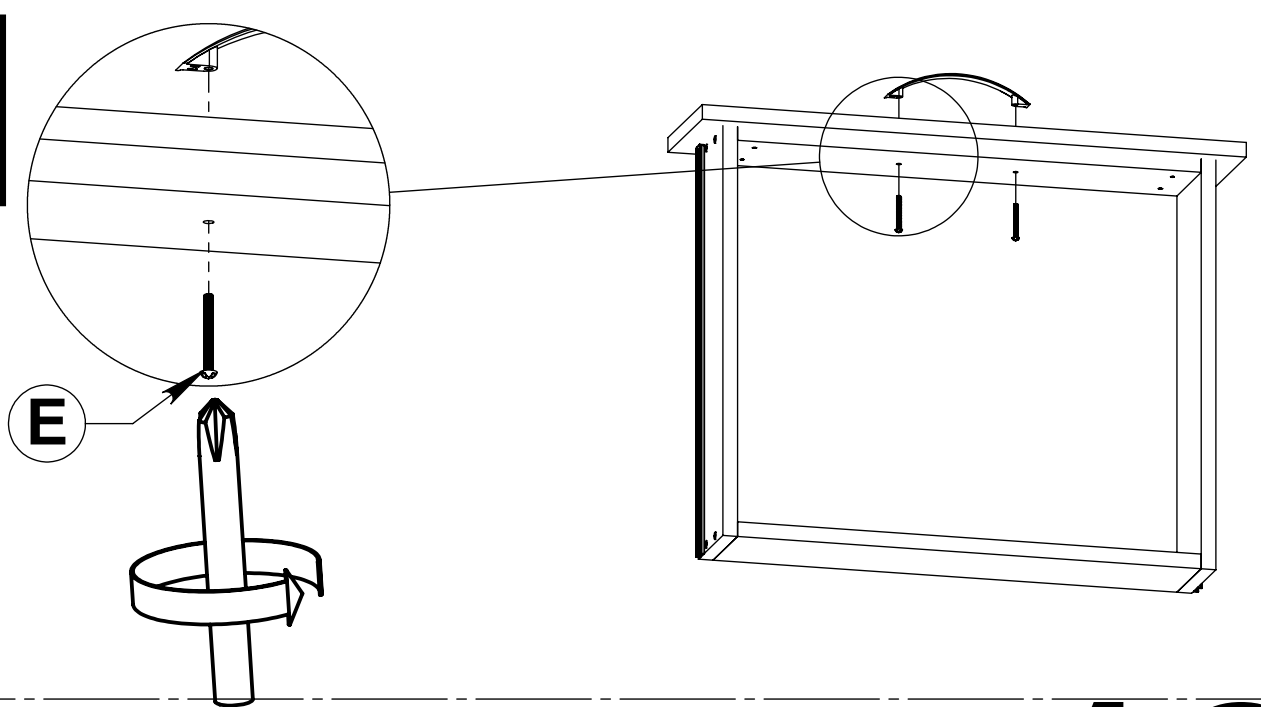
a=b

10

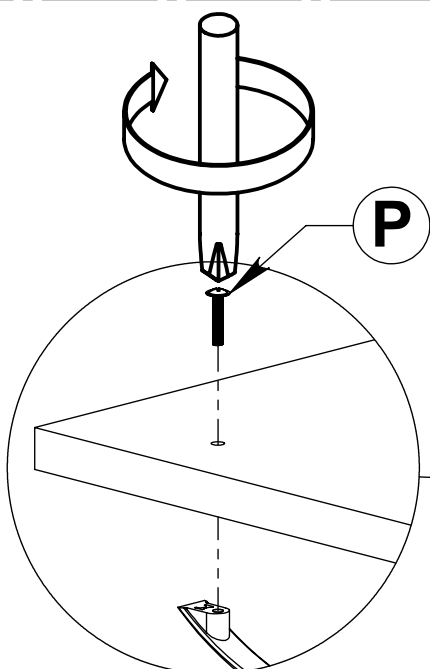
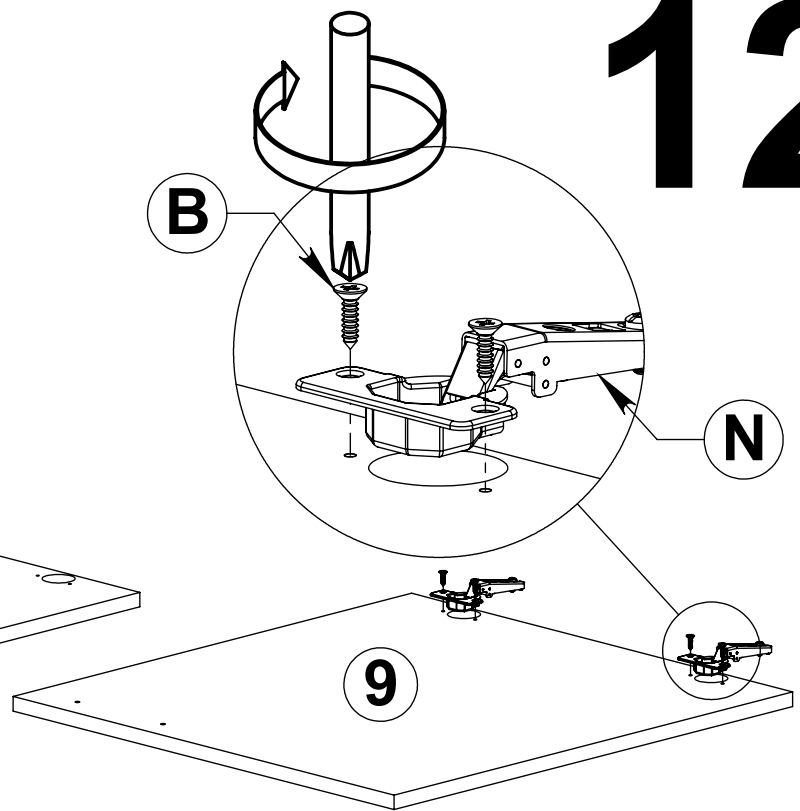


6/8

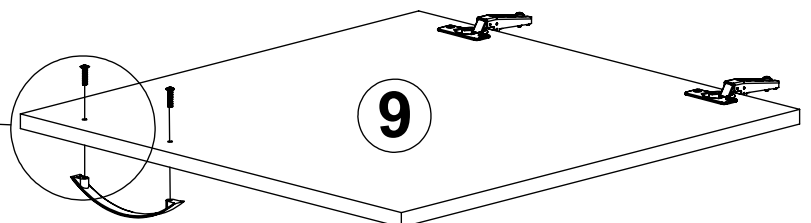
11



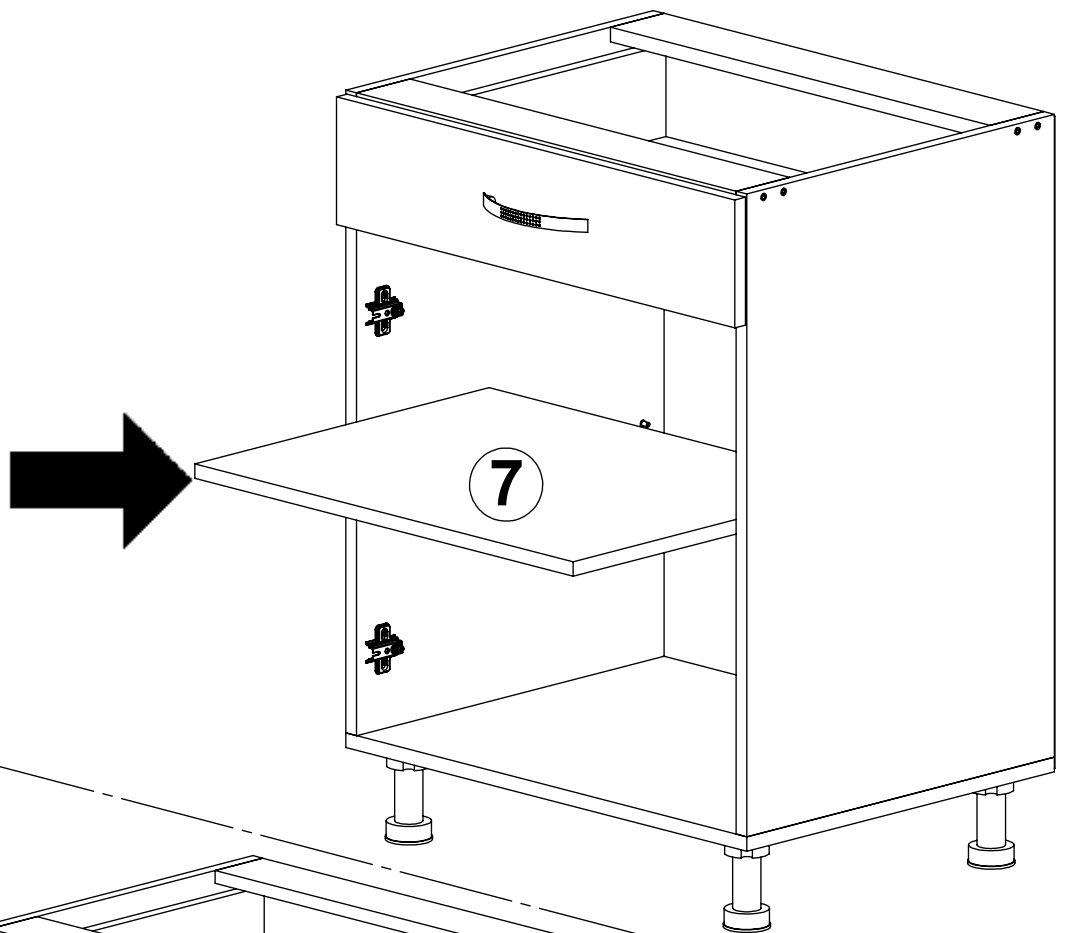
12



13



14



15

