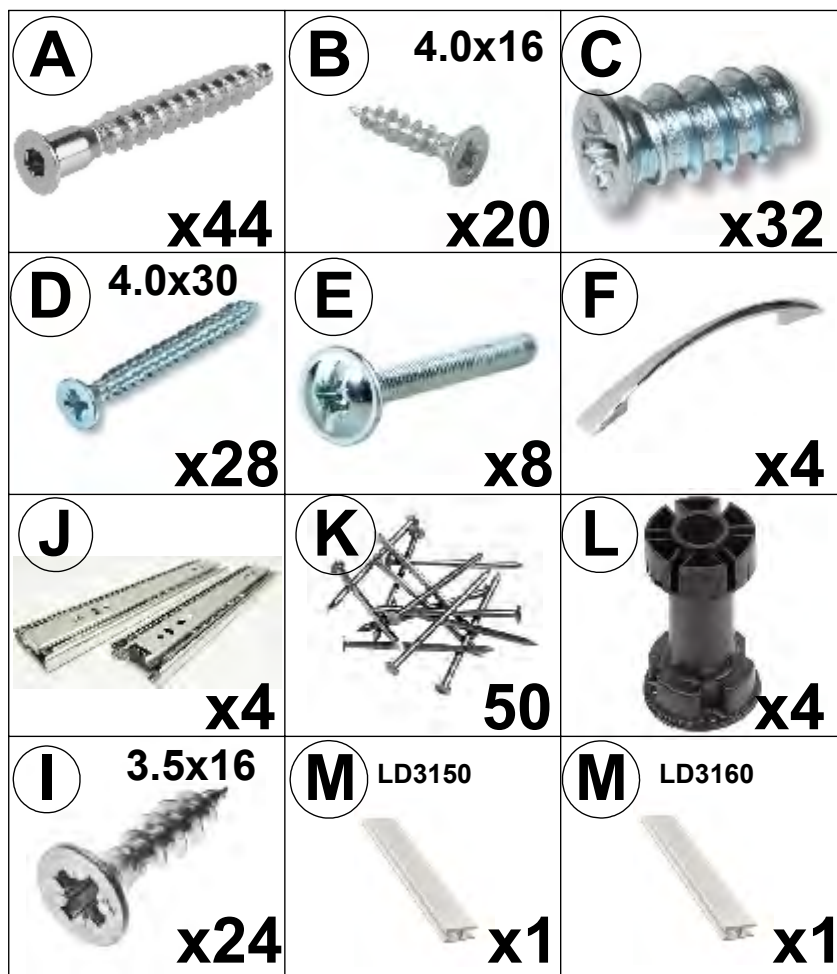
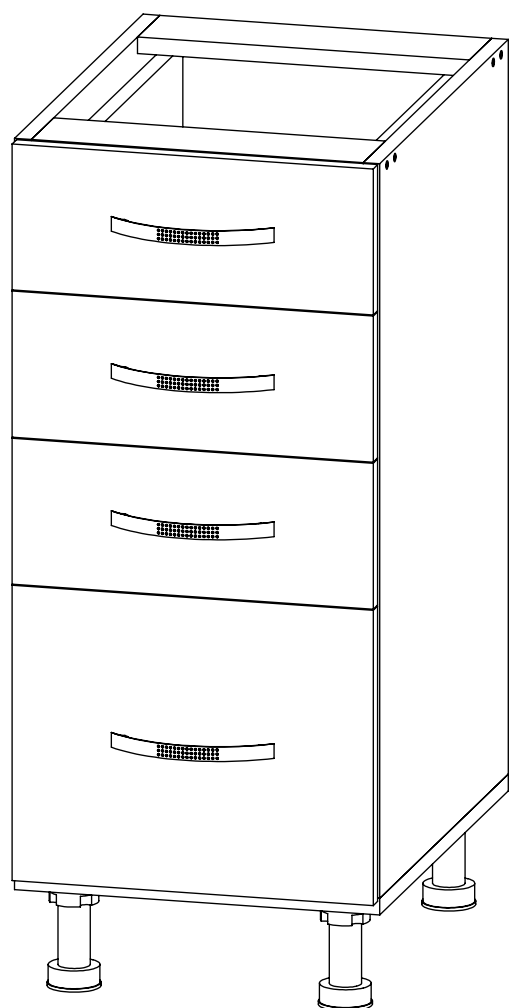
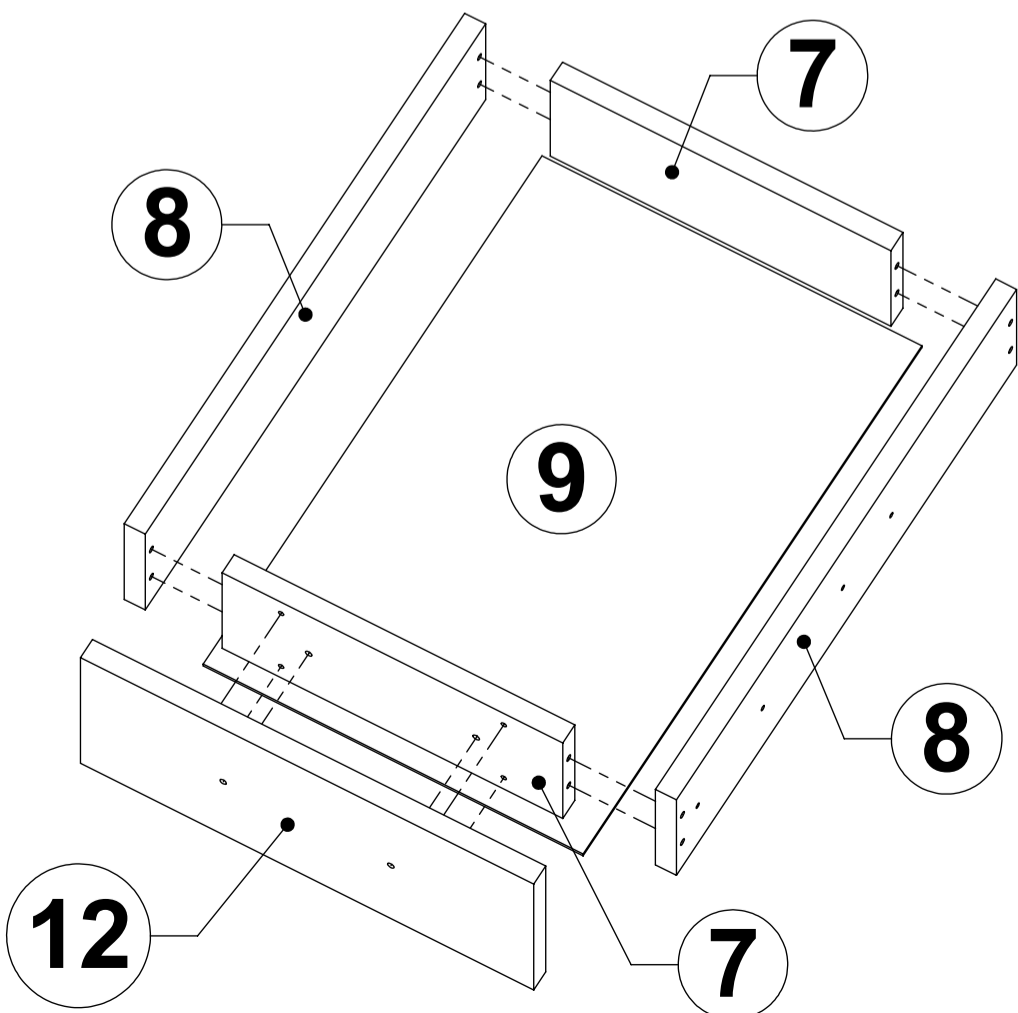
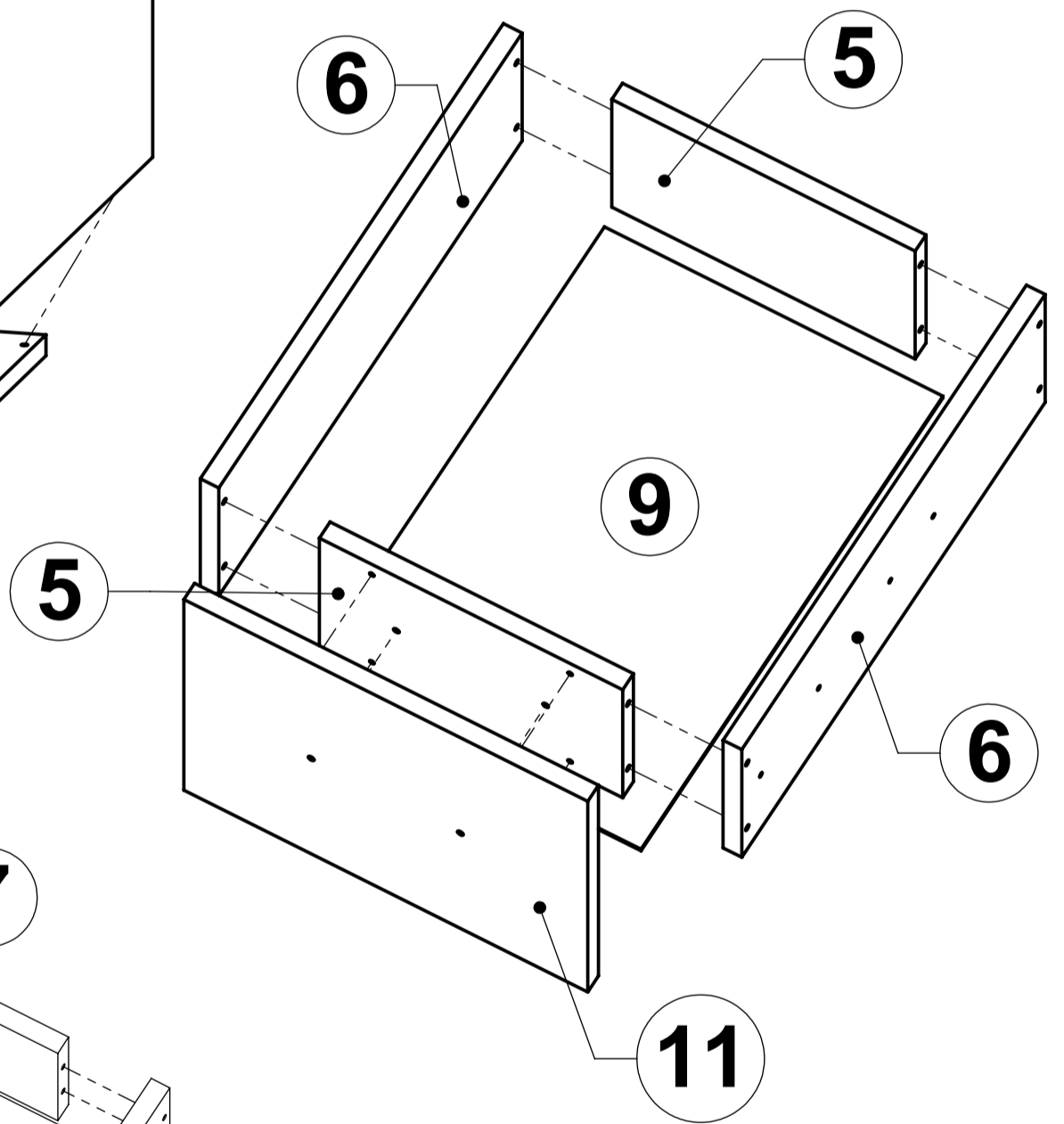
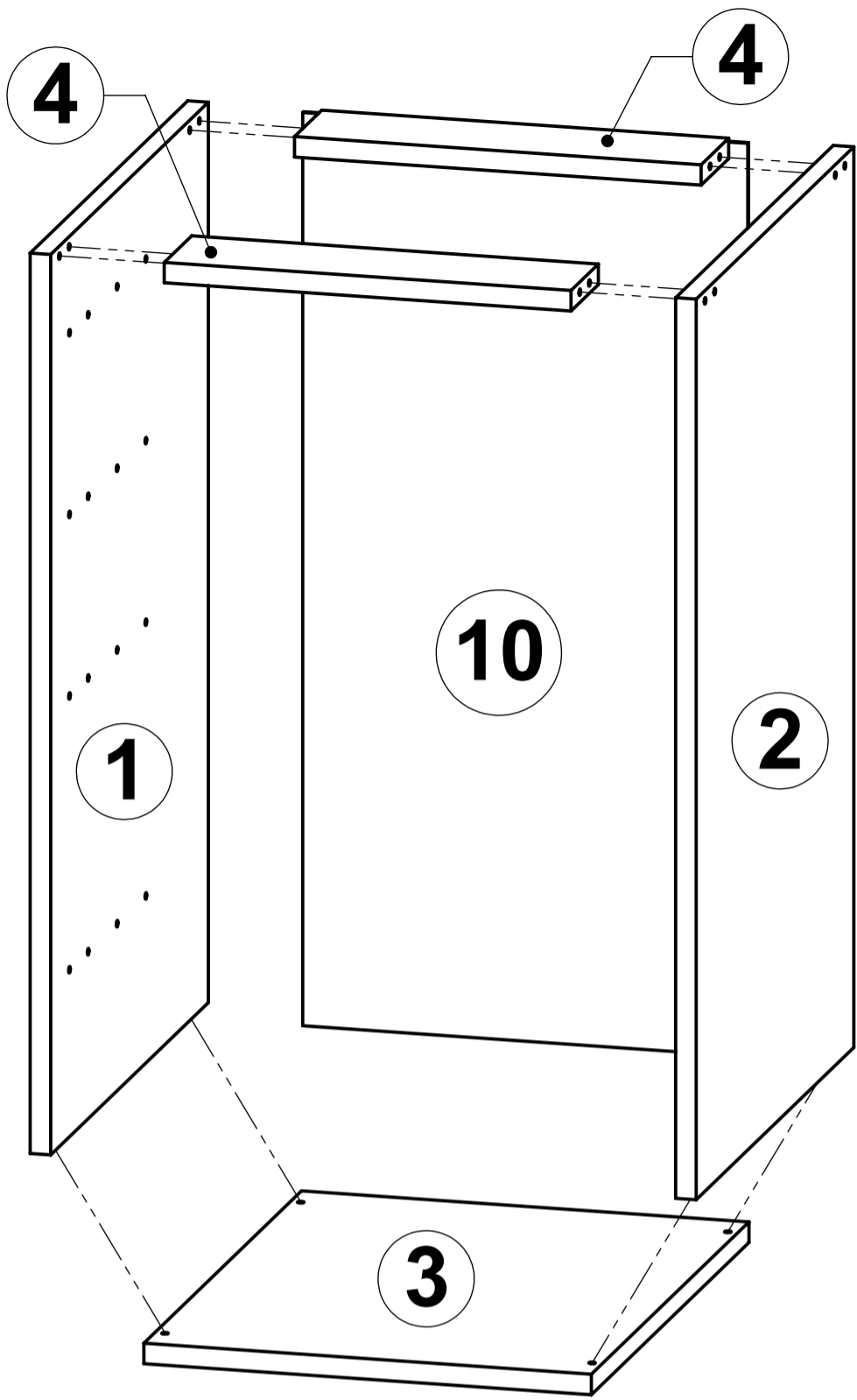


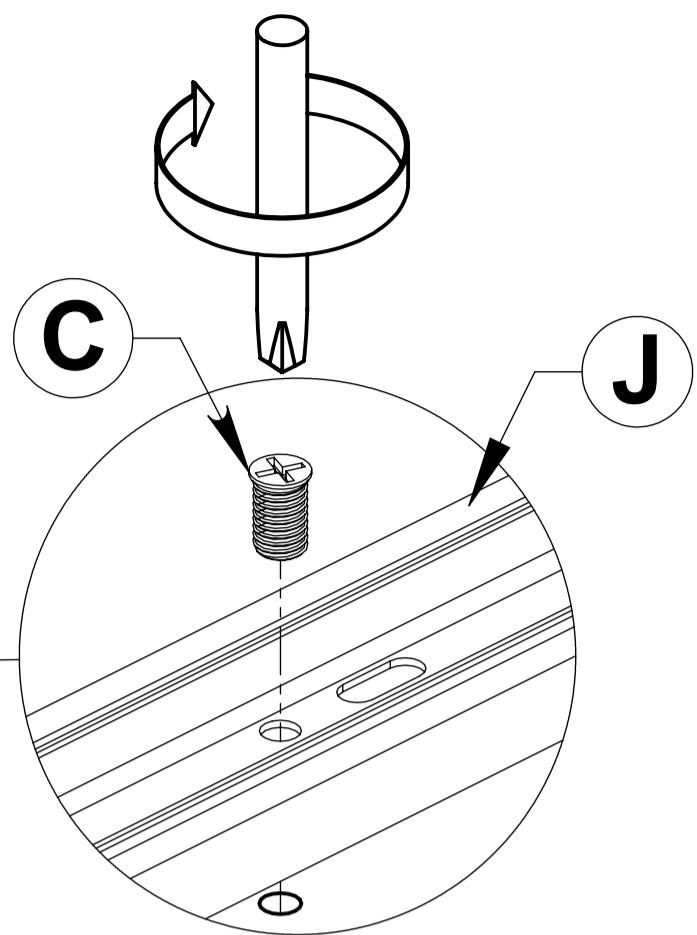
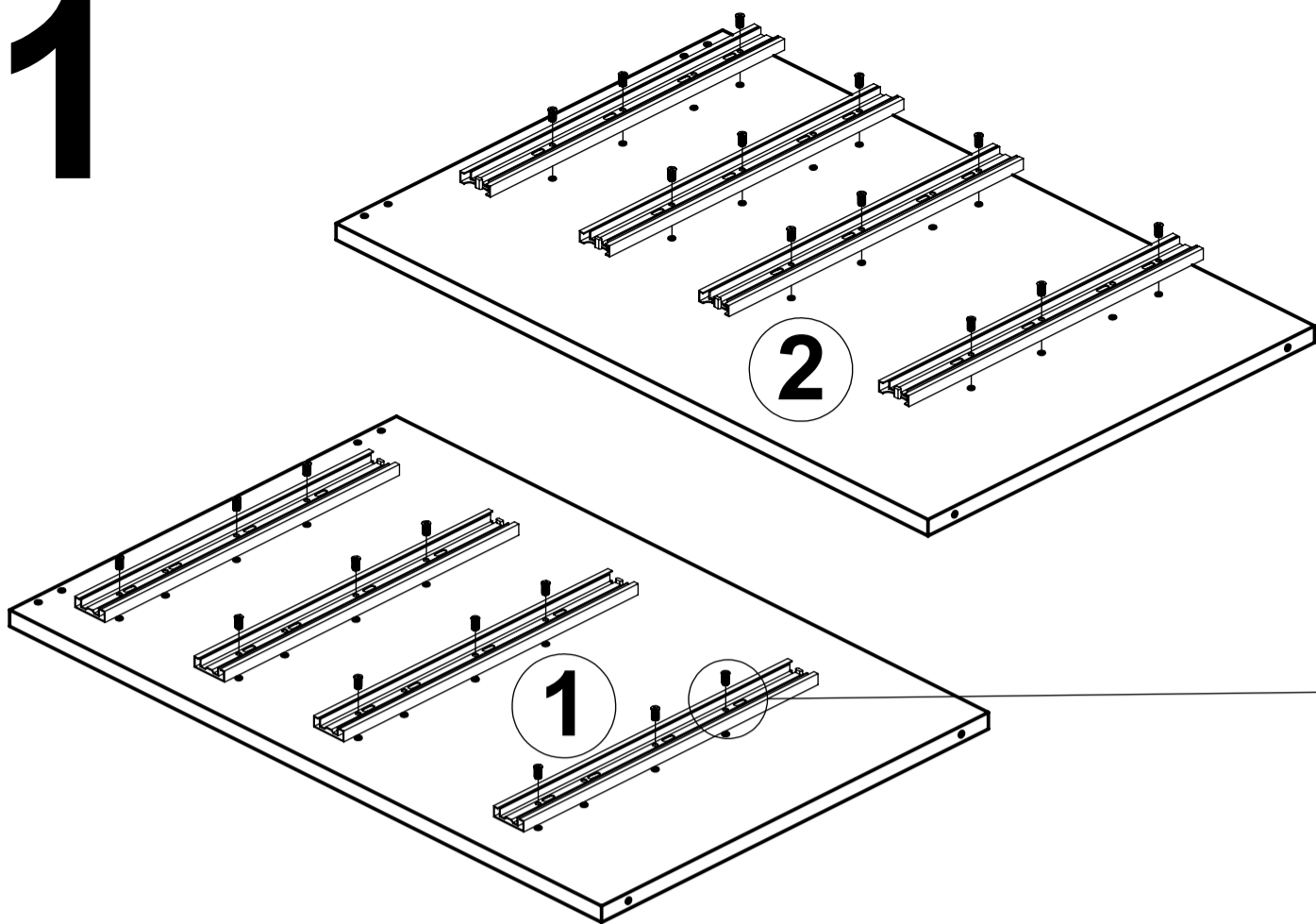
# LOW Units



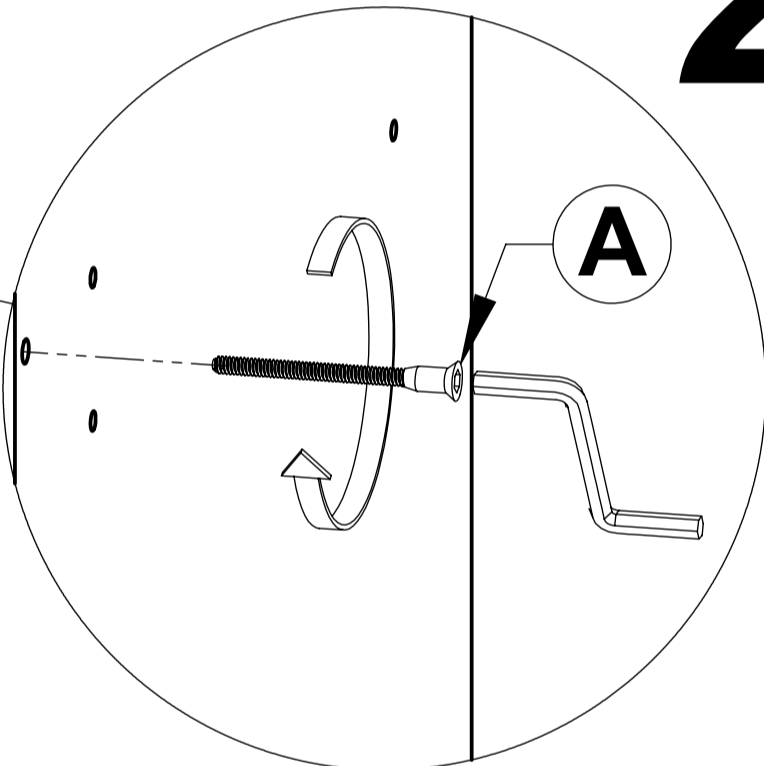
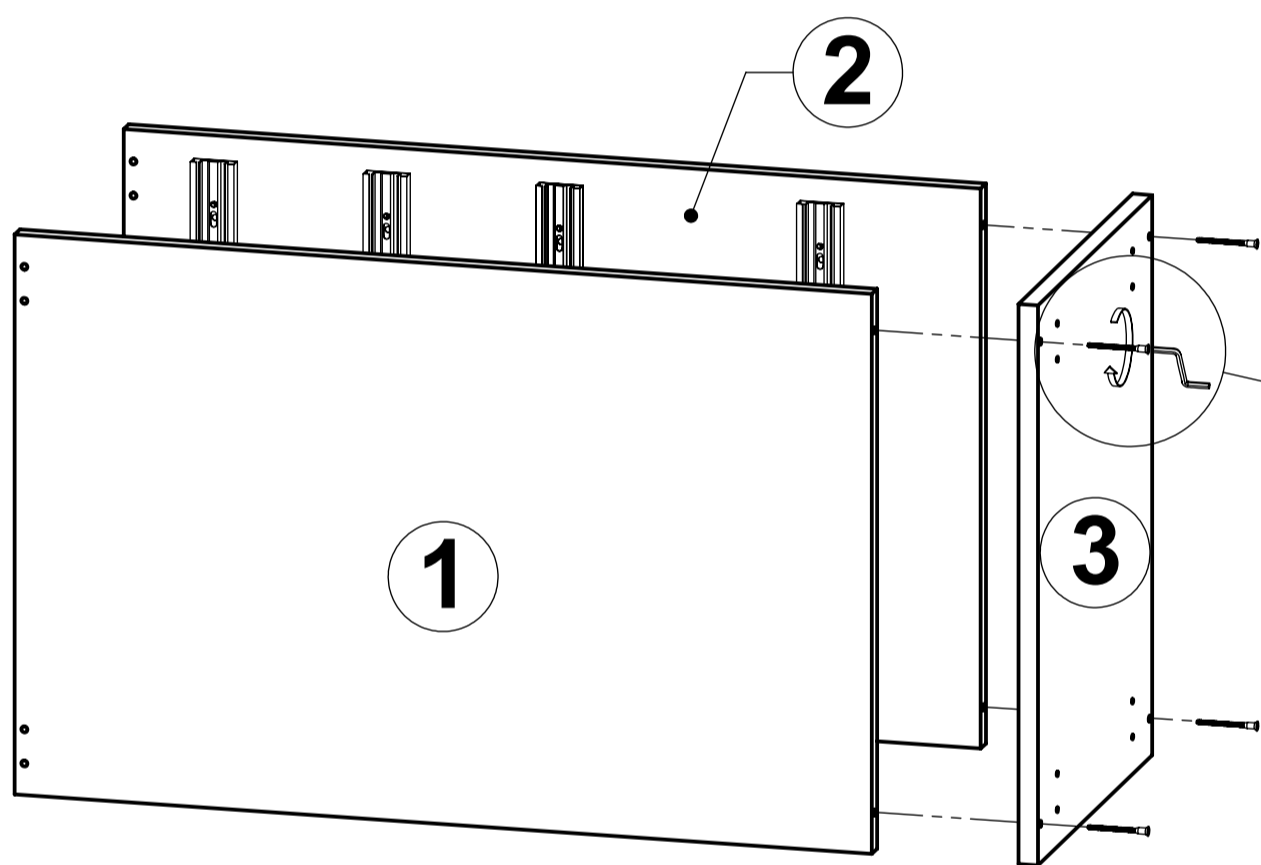
No	LD3140	X	LD3150	X	LD3160	X
①	704x460	1	704x460	1	704x460	1
②	704x460	1	704x460	1	704x460	1
③	400x460	1	500x460	1	600x460	1
④	368x80	2	468x80	2	568x80	2
⑤	308x100	6	408x100	6	508x100	6
⑥	450x100	6	450x100	6	450x100	6
⑦	308x160	2	408x160	2	508x160	2
⑧	450x160	2	450x160	2	450x160	2
⑨	338x448	4	438x448	4	538x448	4
⑩	714x398	1	714x198	1	714x298	2
⑪	140x396	3	140x496	3	140x596	3
⑫	283x396	1	283x496	1	283x596	1
⑬	-	-	714x298	1	-	-



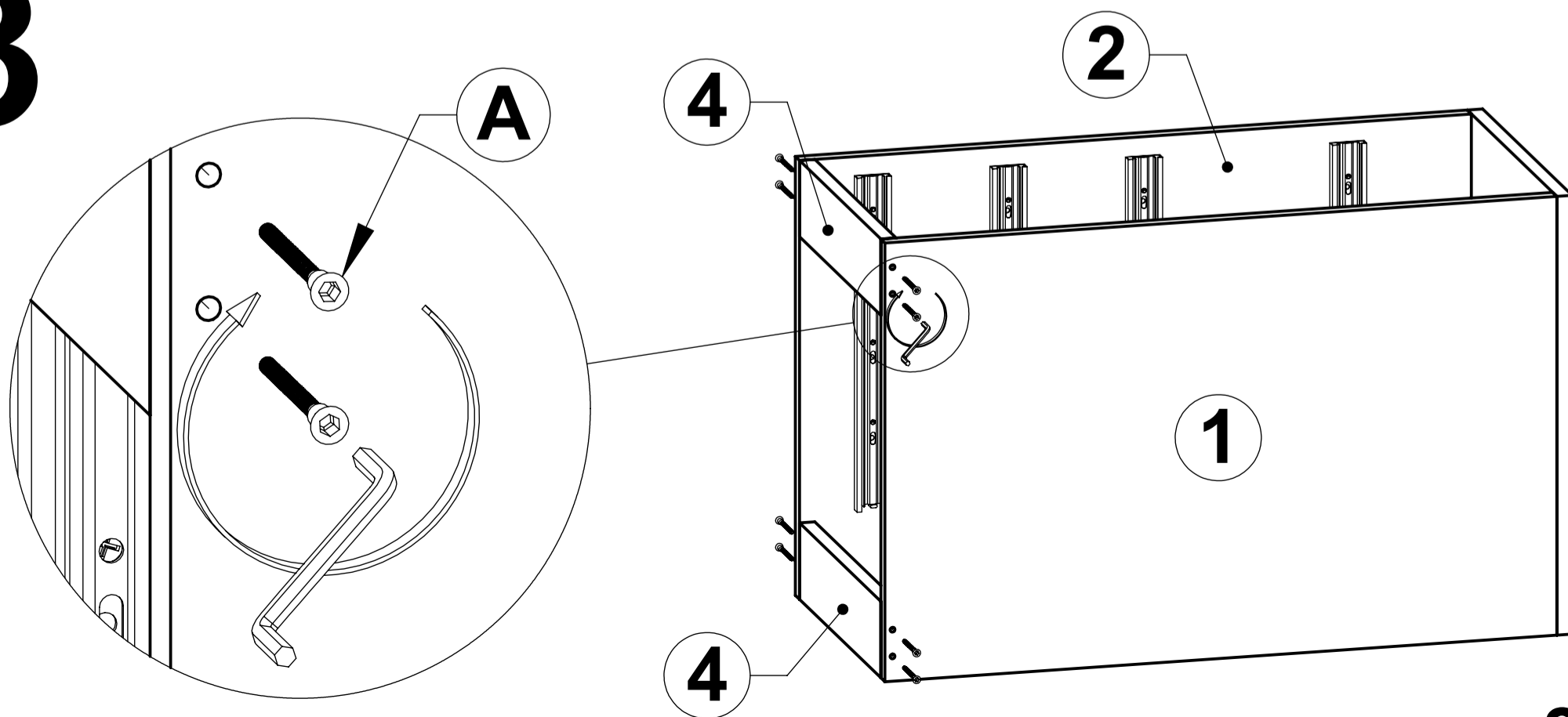
# 1



# 2

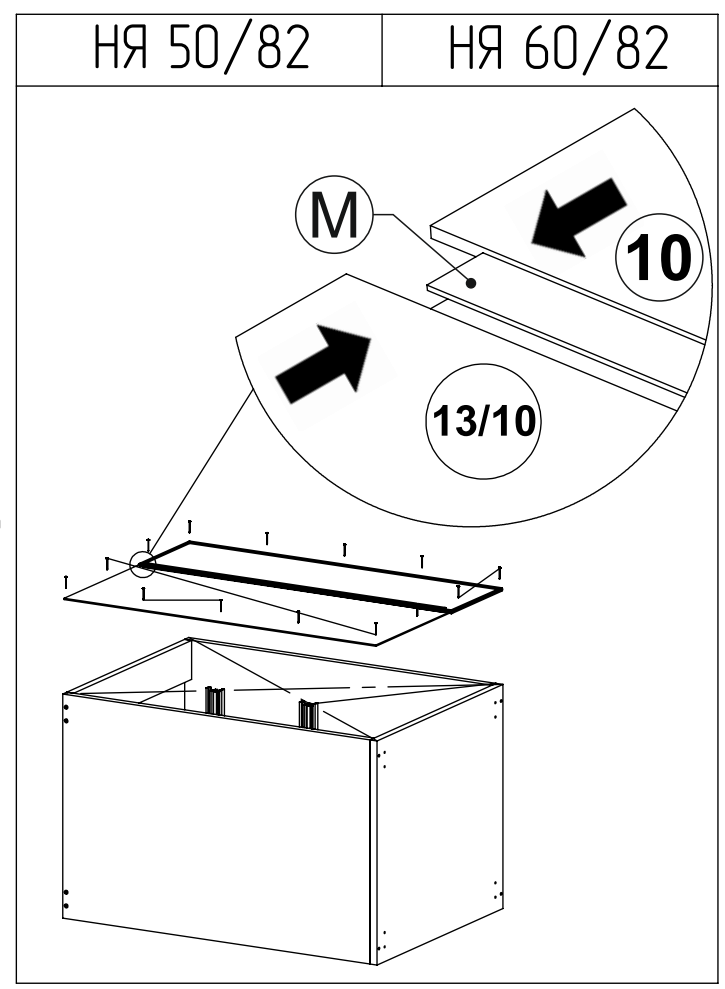
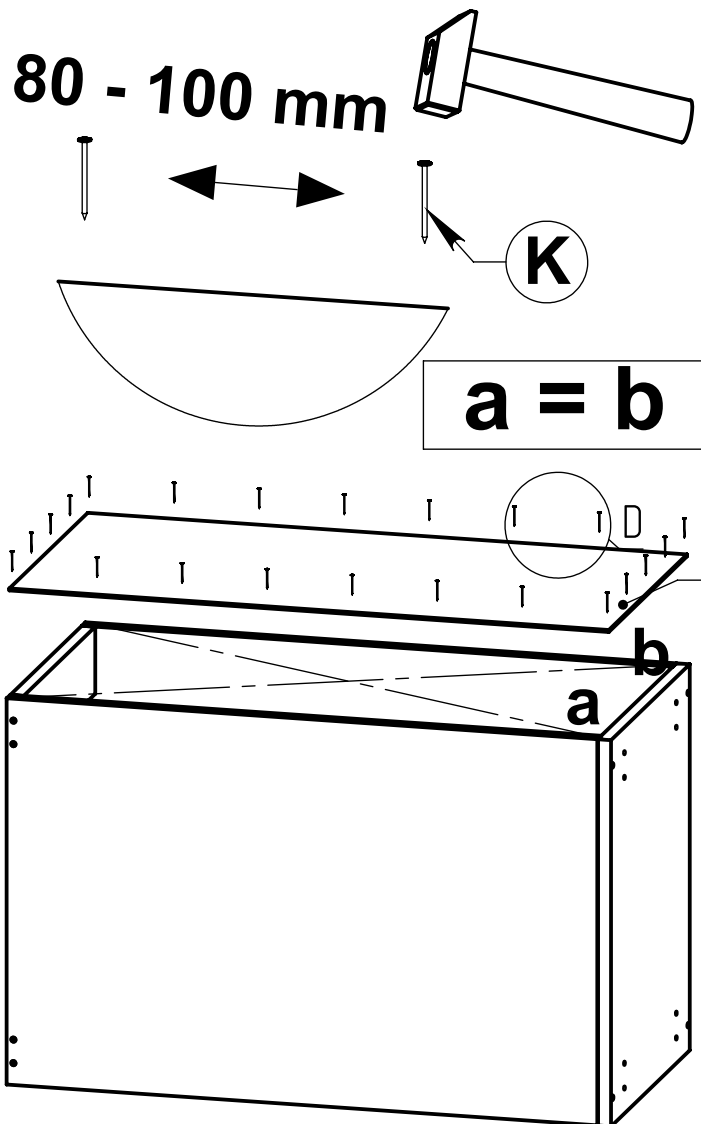


# 3

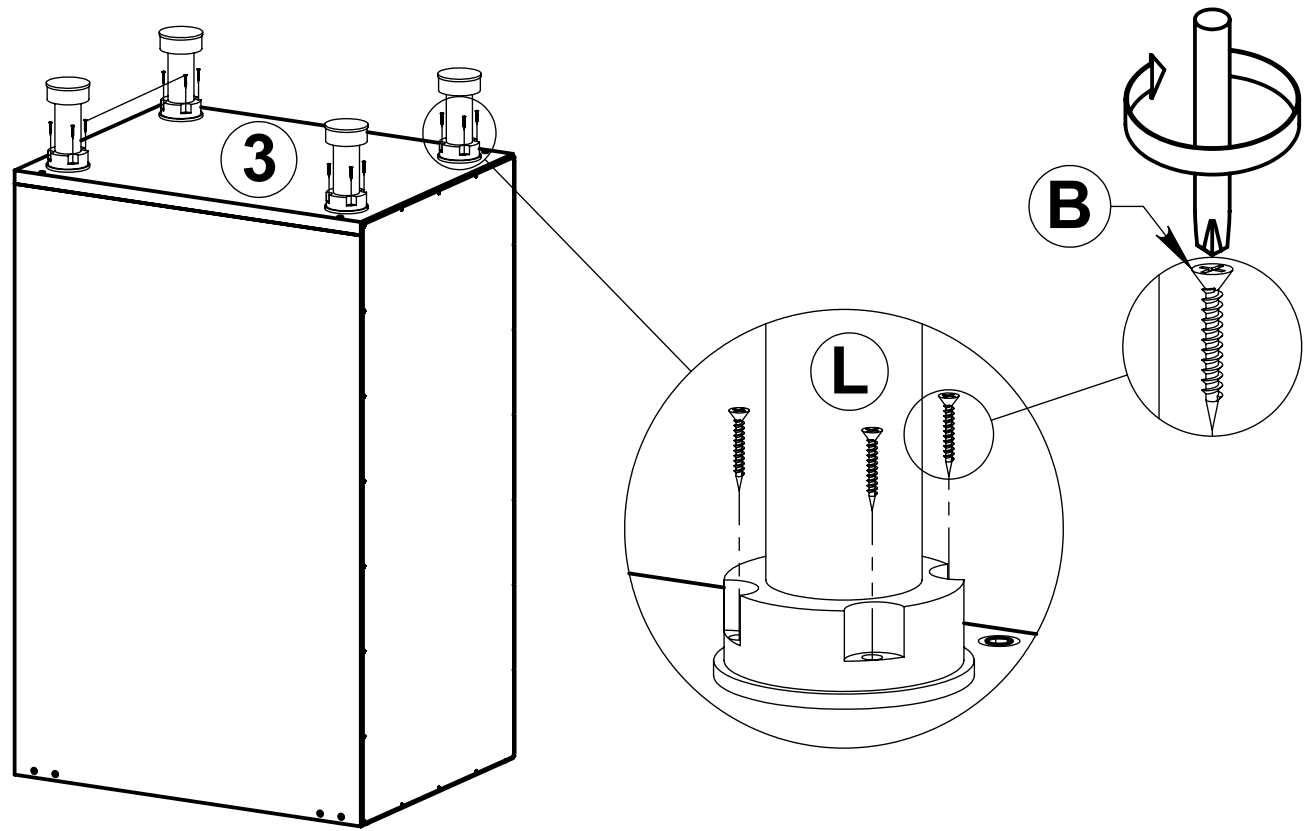


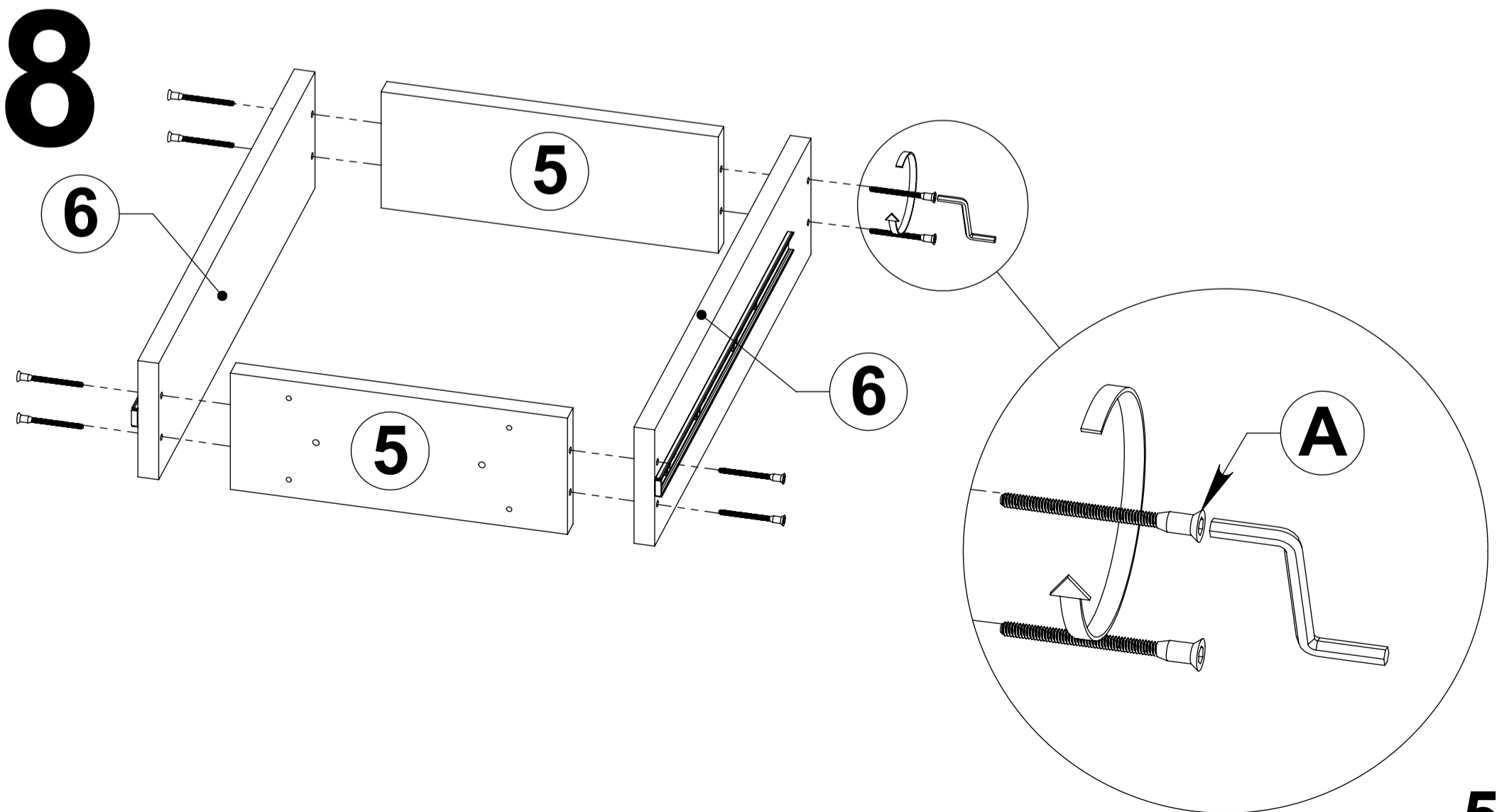
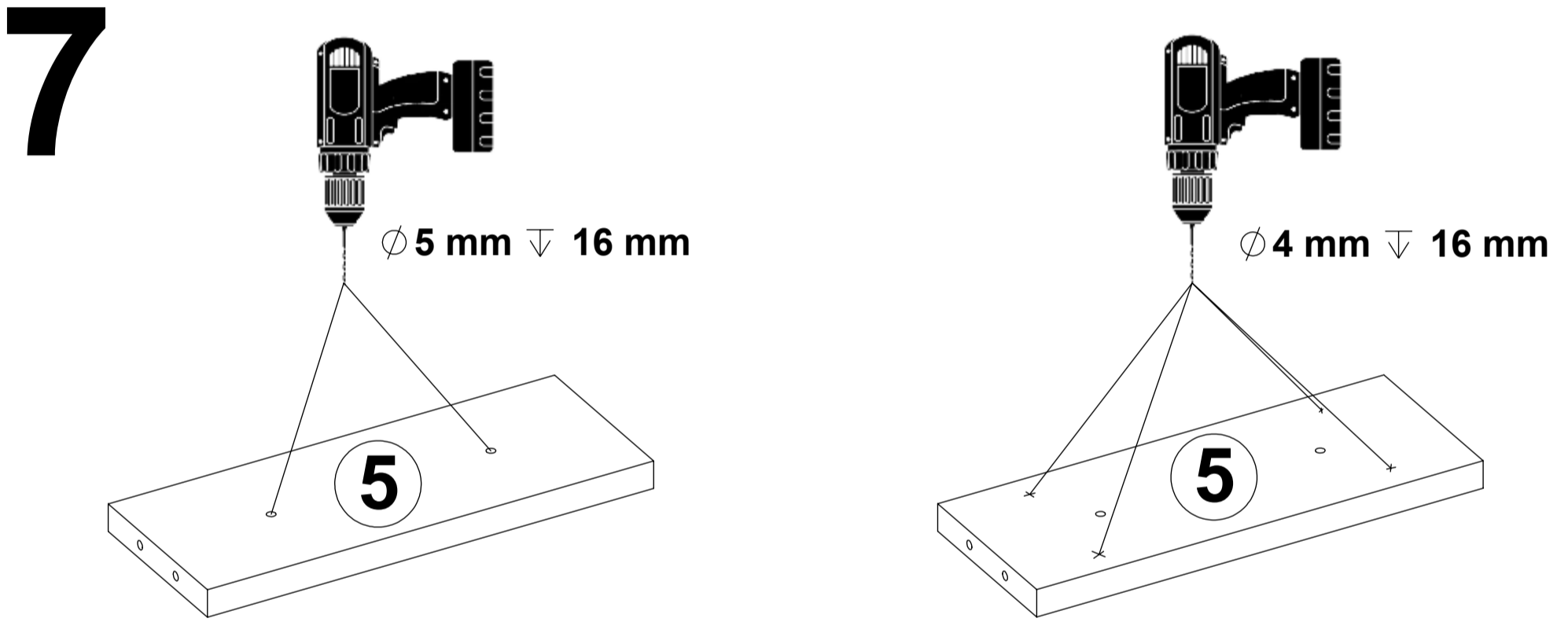
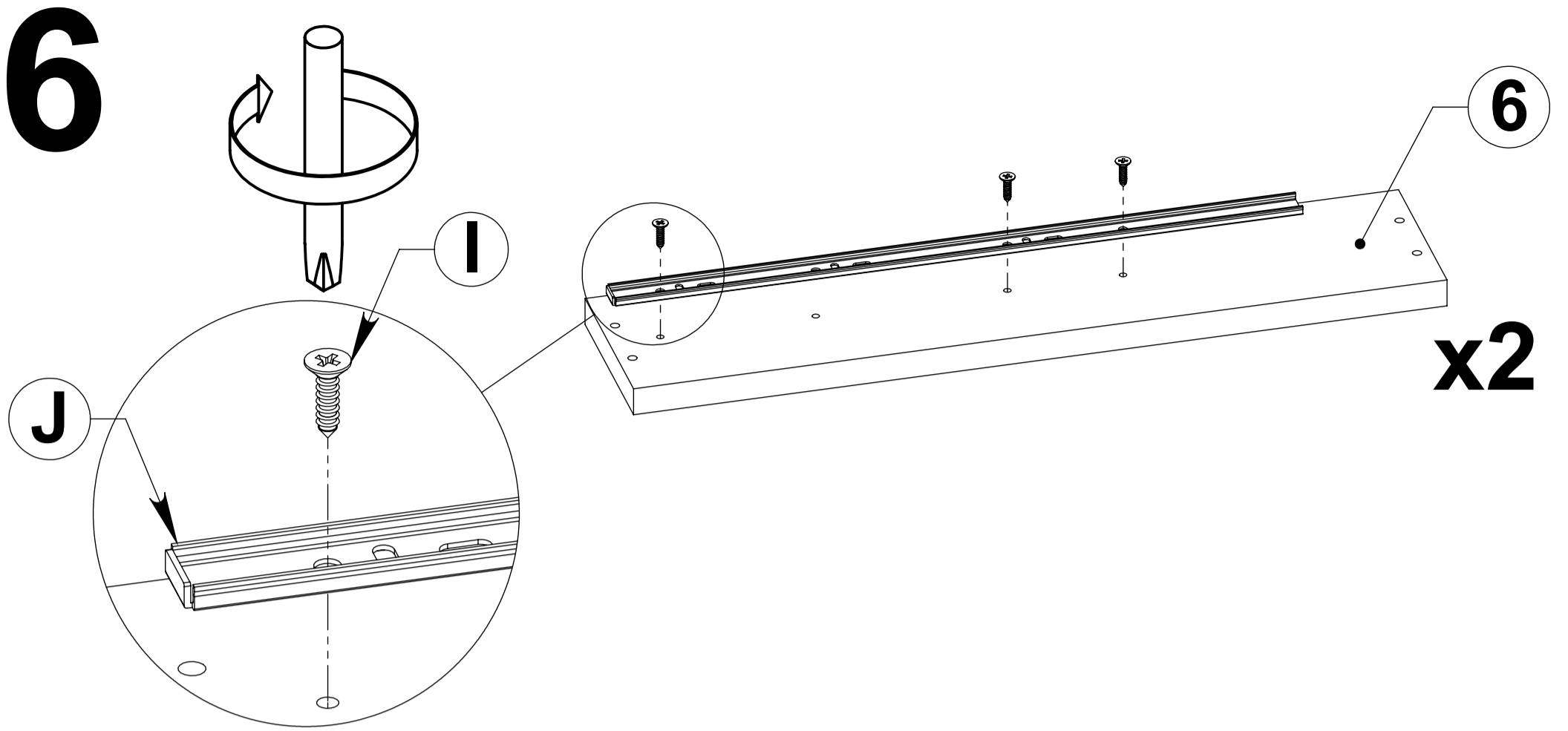
# 3/6

# 4



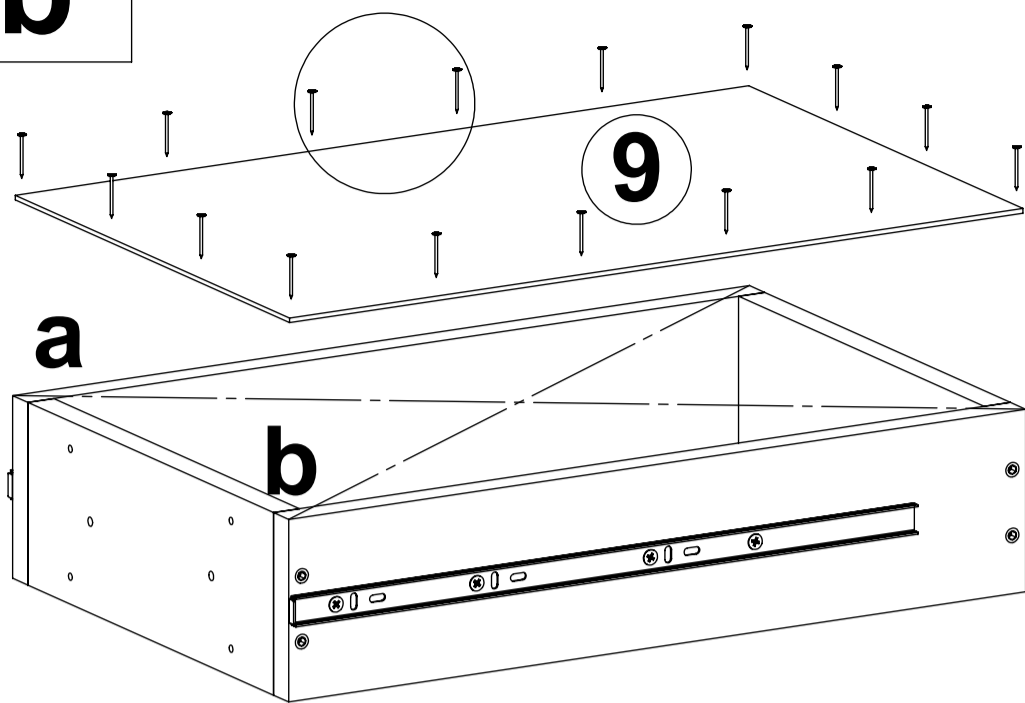
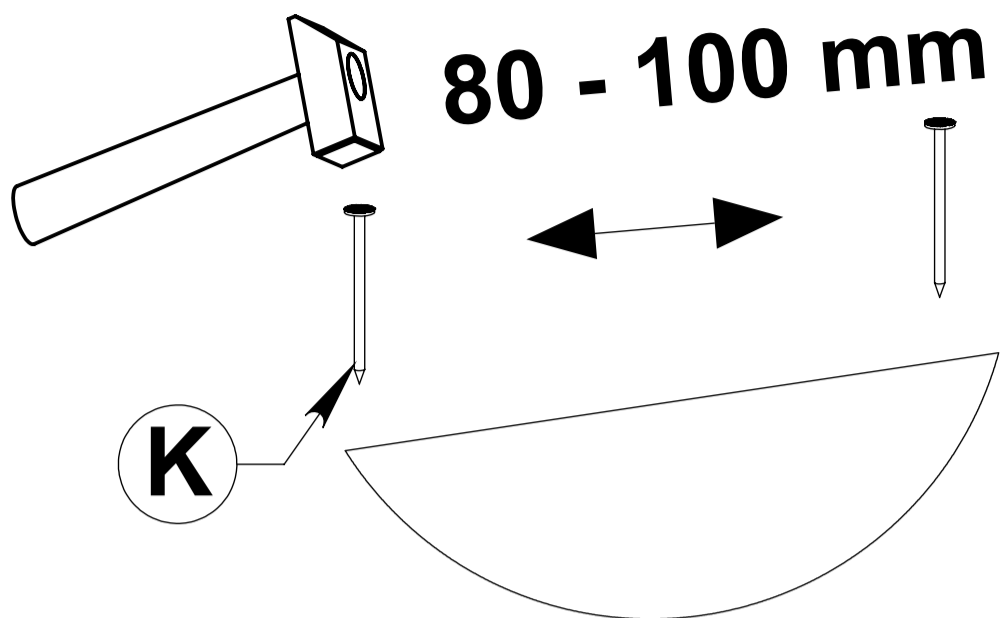
# 5



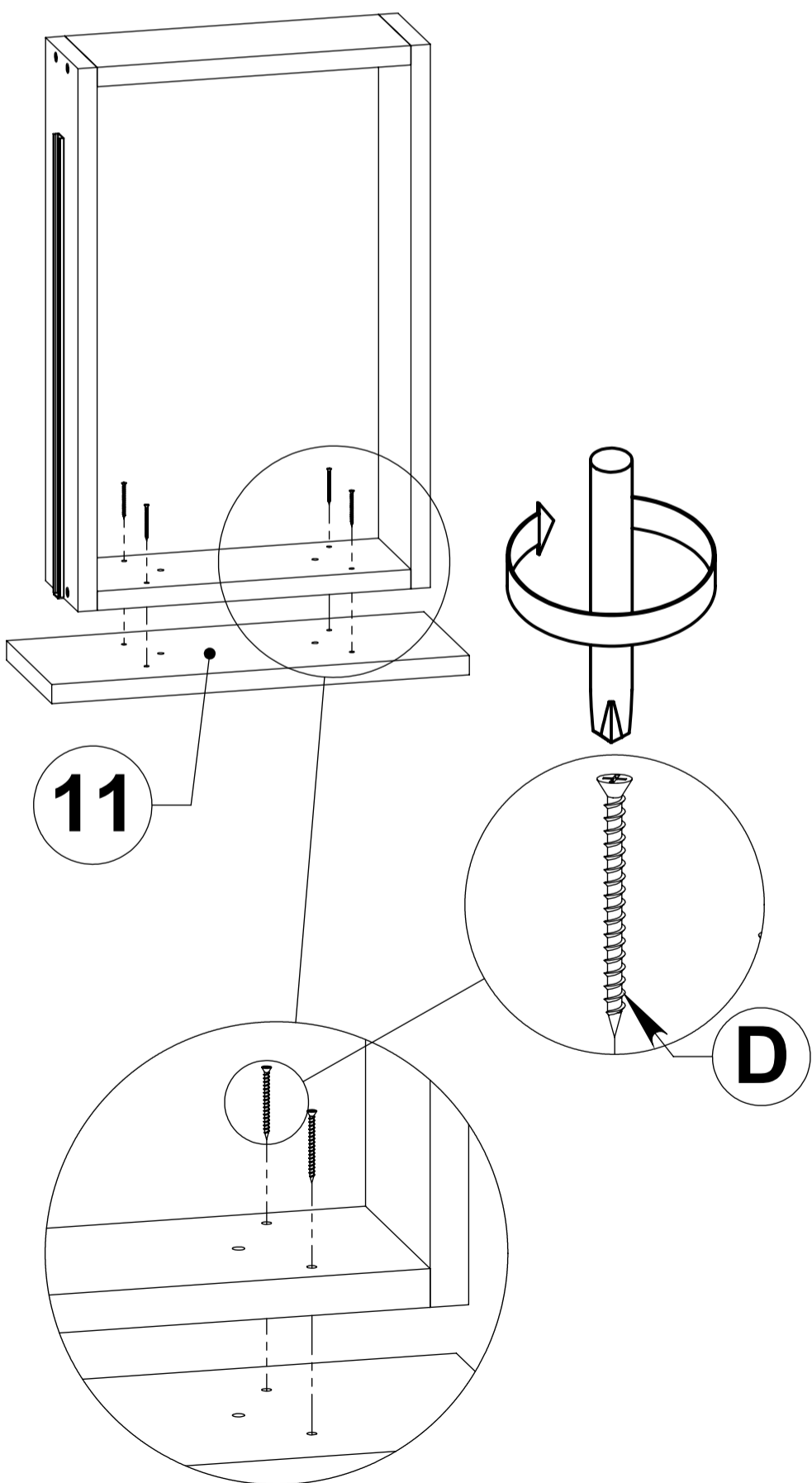


# 9

$a = b$



# 10



# 11

