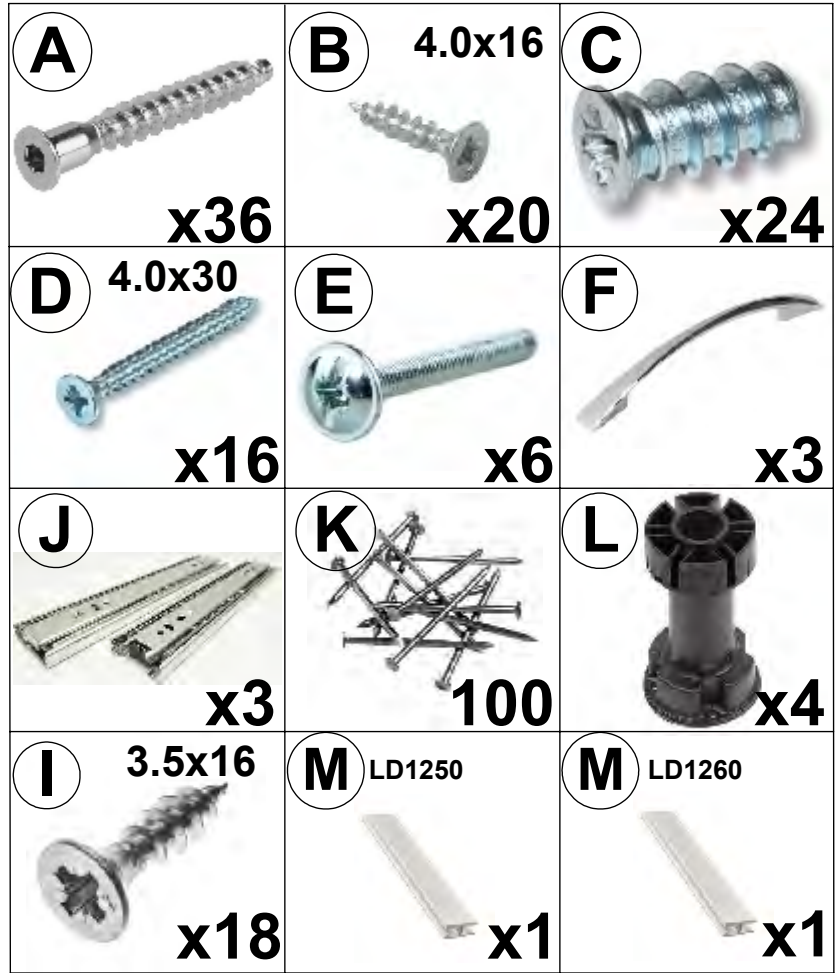
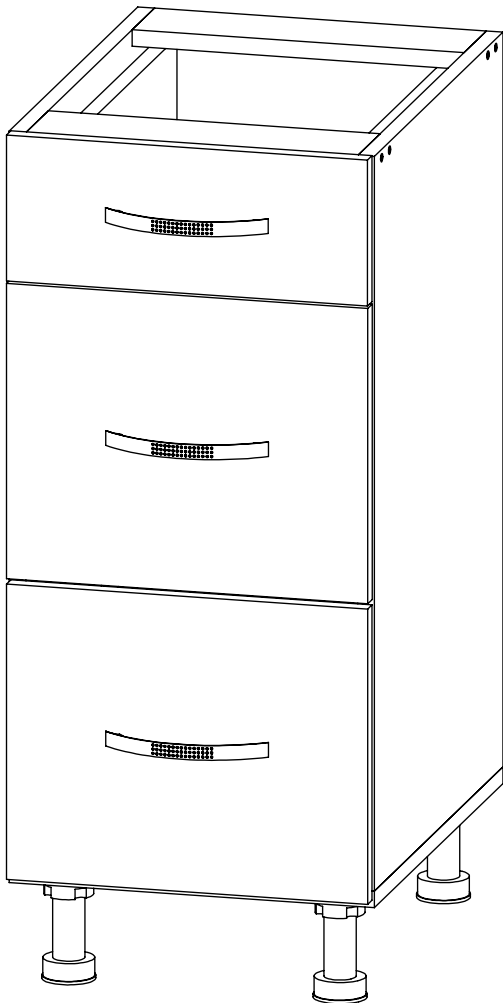


# LOW Units



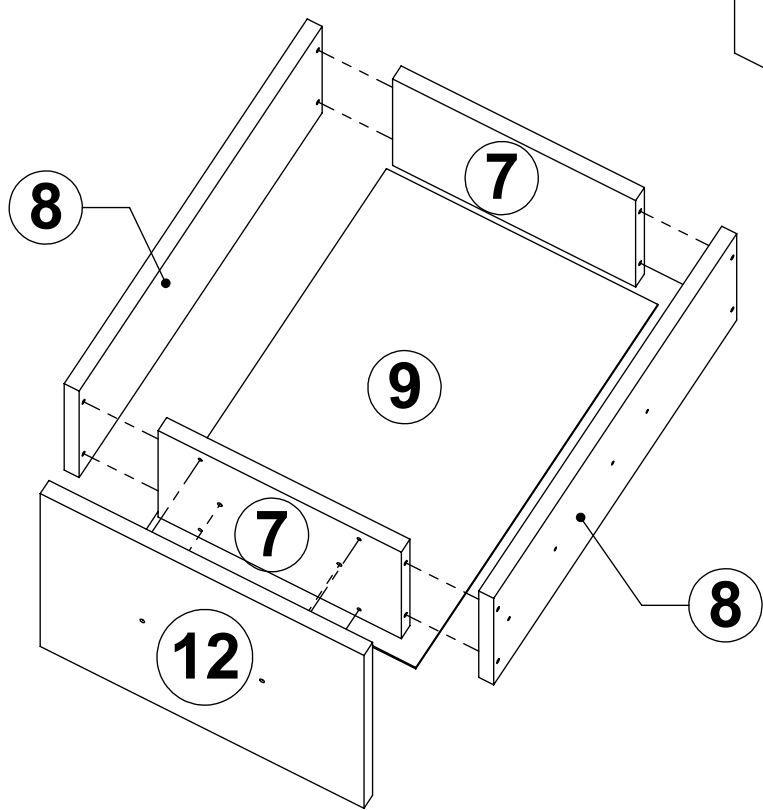
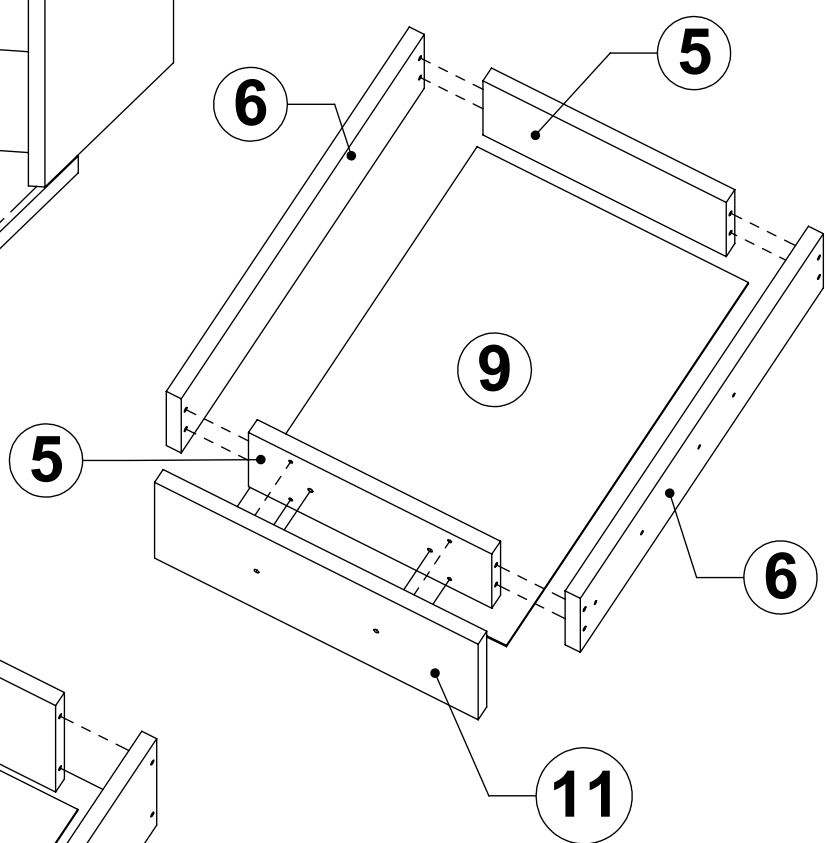
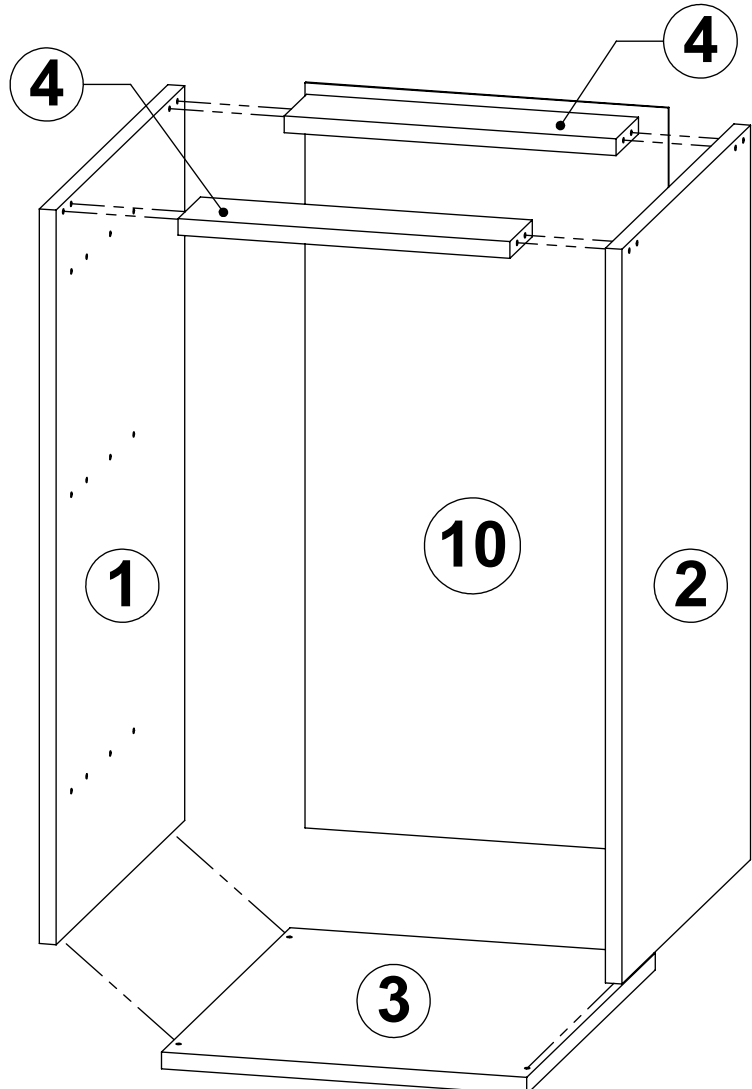
**LD1240**

**LD1250**

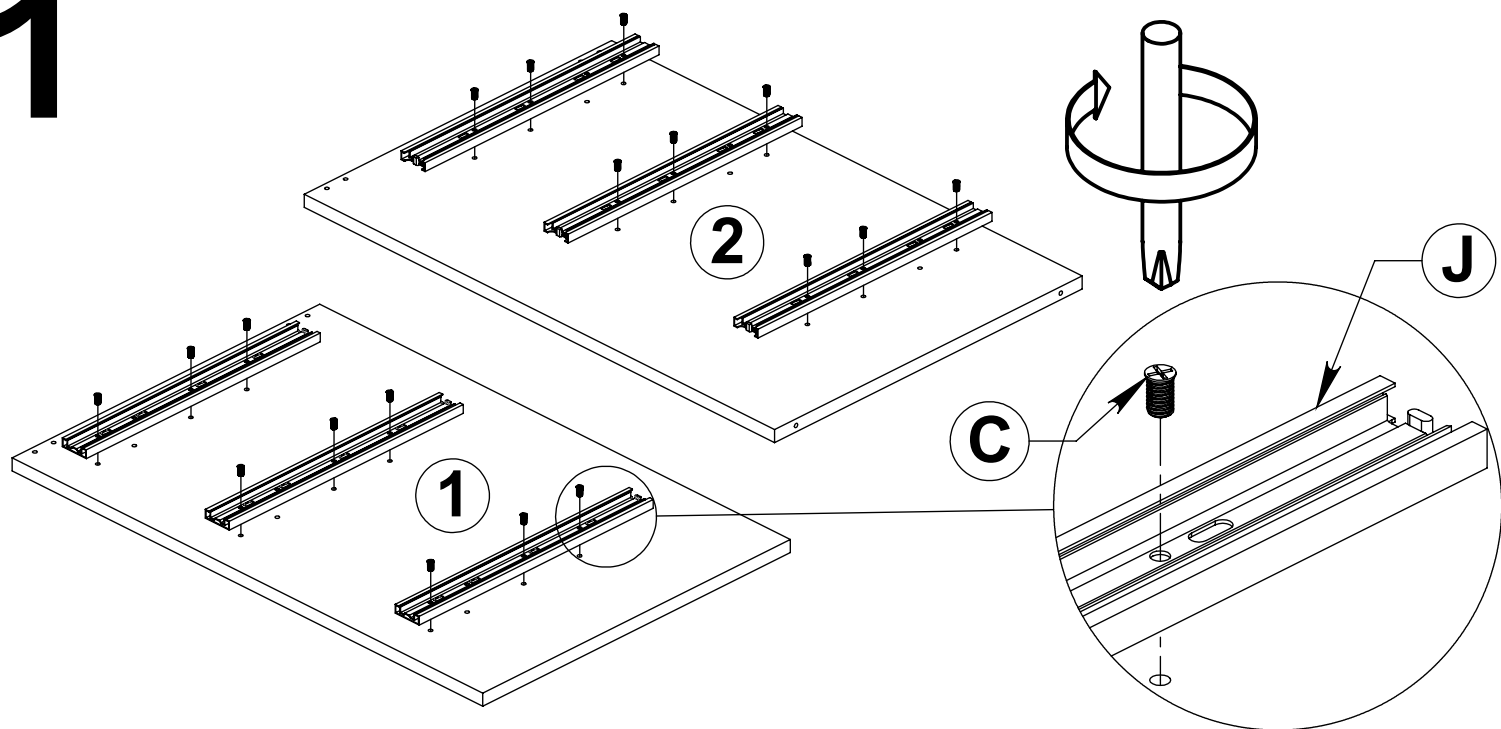
**LD1260**

**X**

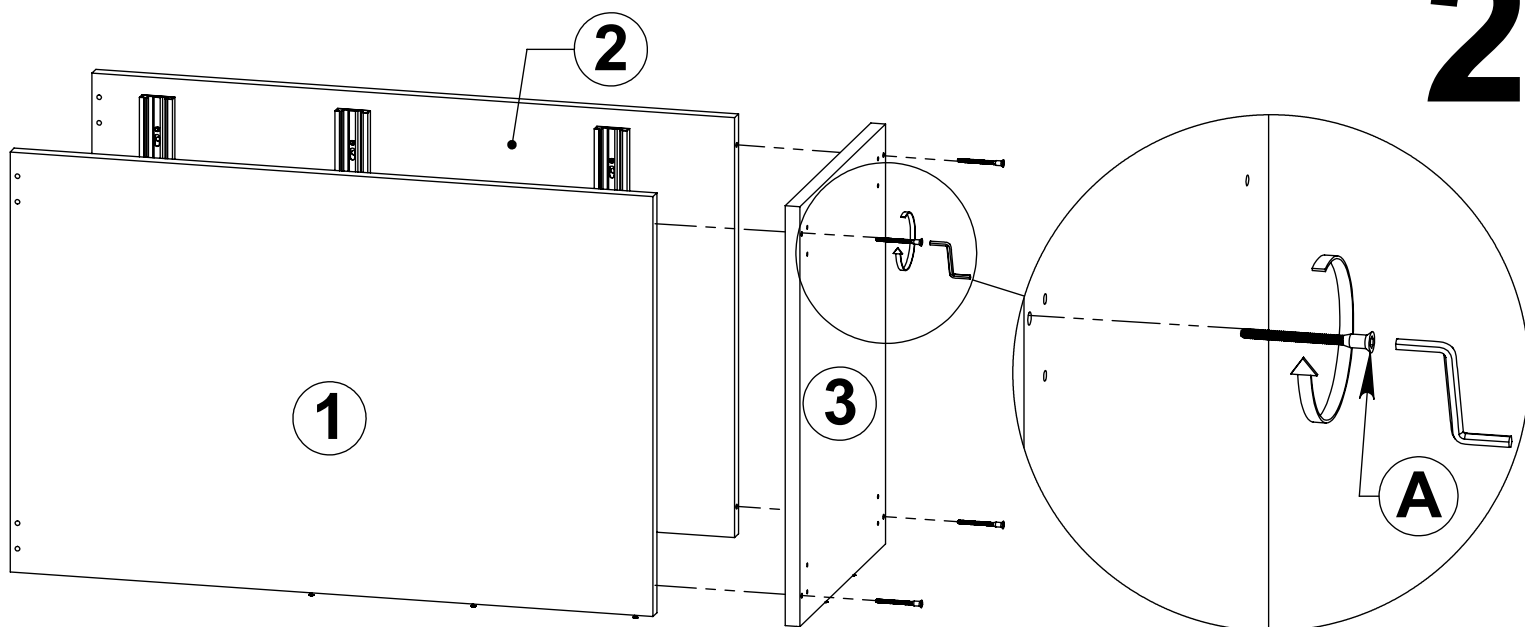
①			704x460	1			704x460	1	704x460	1
②			704x460	1			704x460	1	704x460	1
③			400x460	1			500x460	1	600x460	1
④			368x80	2			468x80	2	568x80	2
⑤			308x100	2			408x100	2	508x100	2
⑥			450x100	2			450x100	2	450x100	2
⑦			308x160	4			408x160	4	508x160	4
⑧			450x160	4			450x160	4	450x160	4
⑨			338x448	3			438x448	3	538x448	3
⑩			714x398	1			714x198	1	714x298	2
⑪			140x396	1			140x496	1	140x596	1
⑫			283x396	2			283x496	2	283x596	2
⑬			-	-			714x298	1	-	-



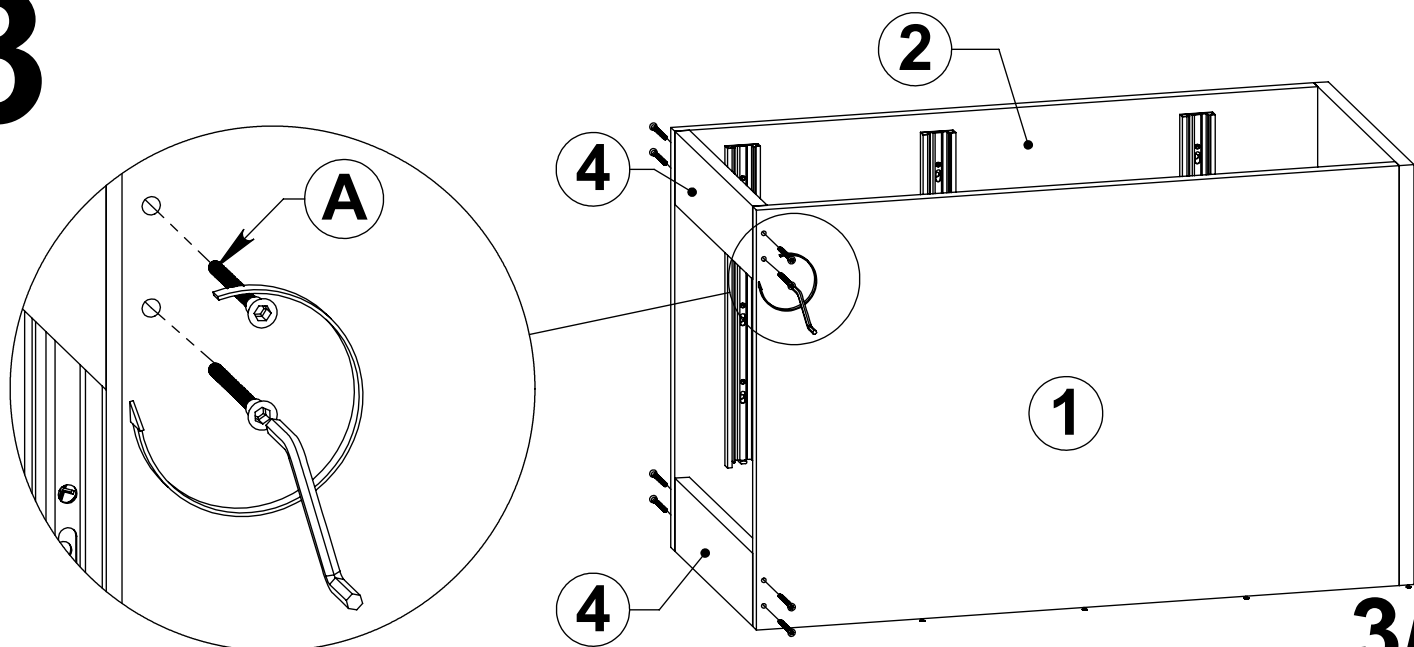
# 1



# 2



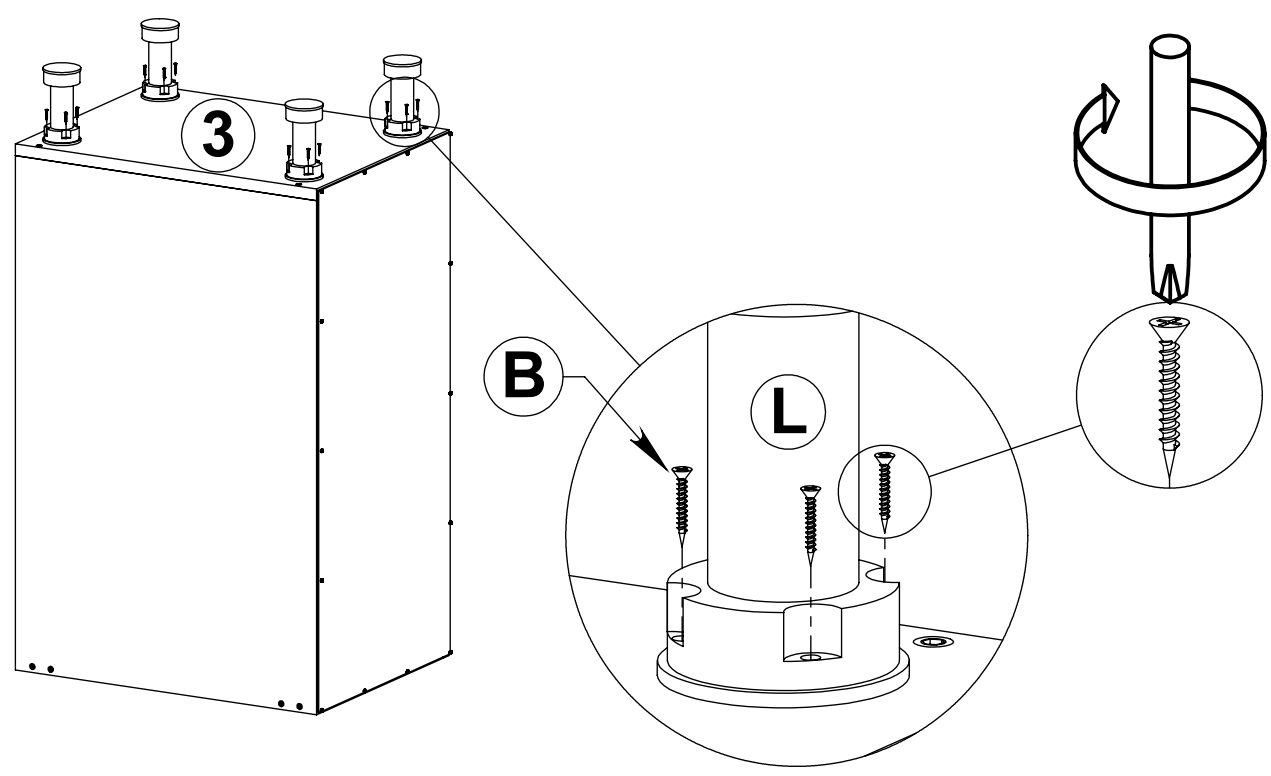
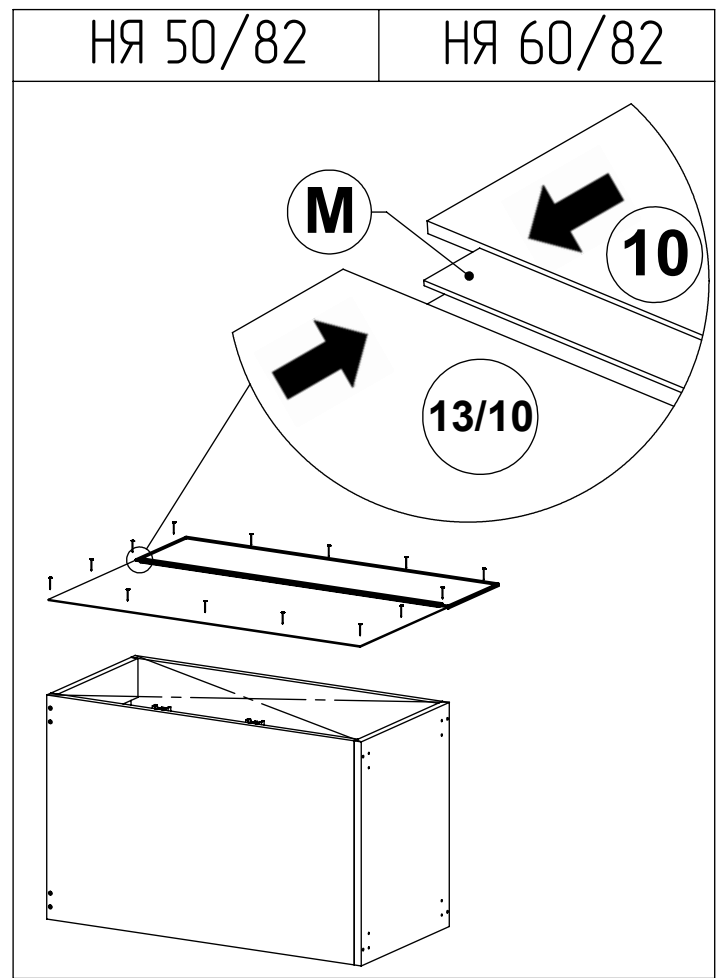
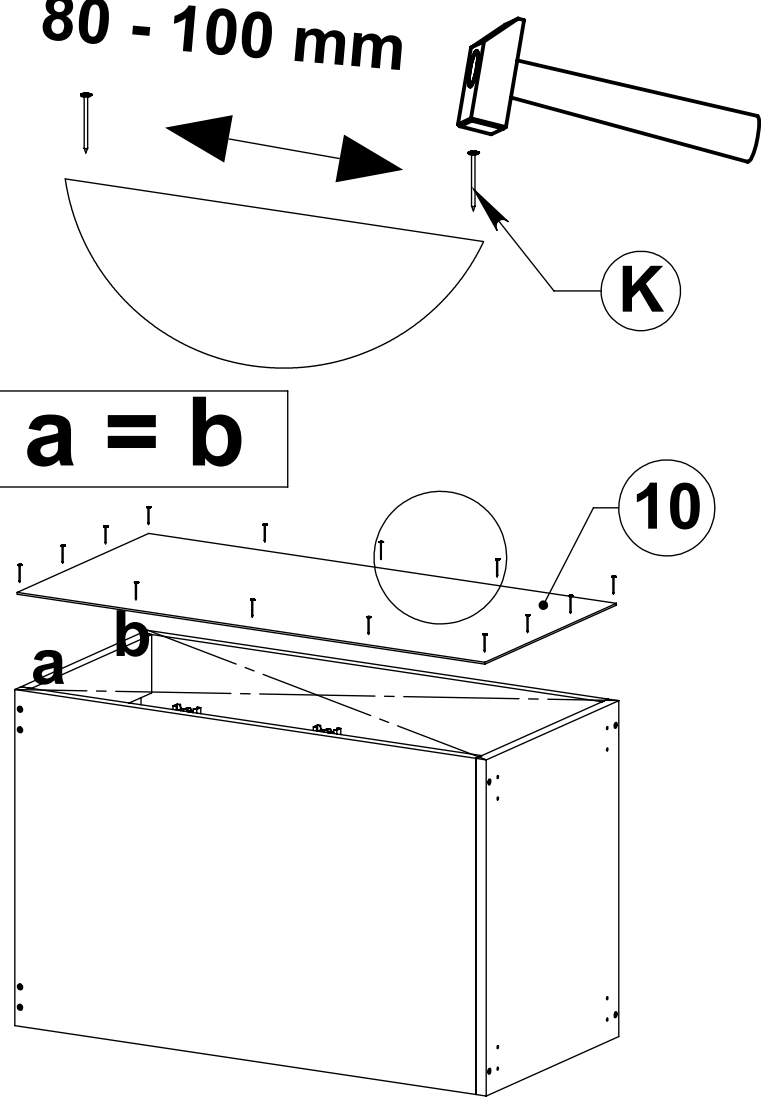
# 3



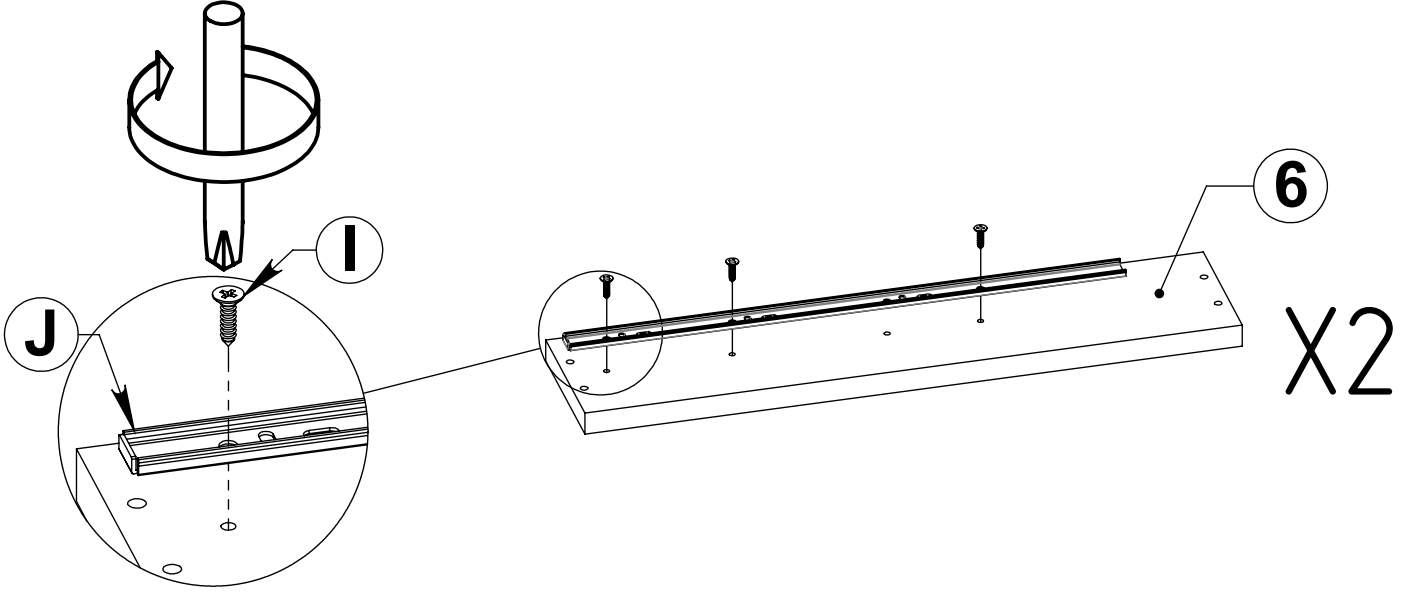
3/6

80 - 100 mm

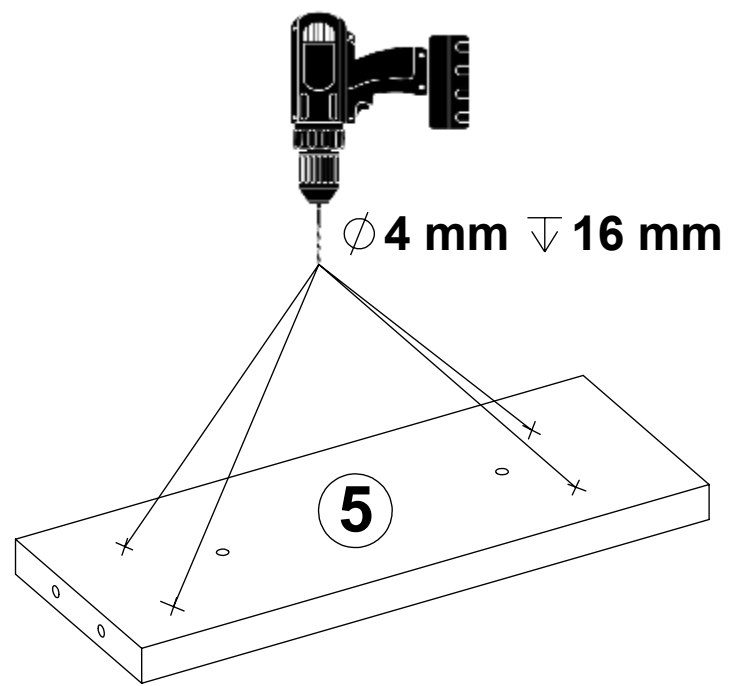
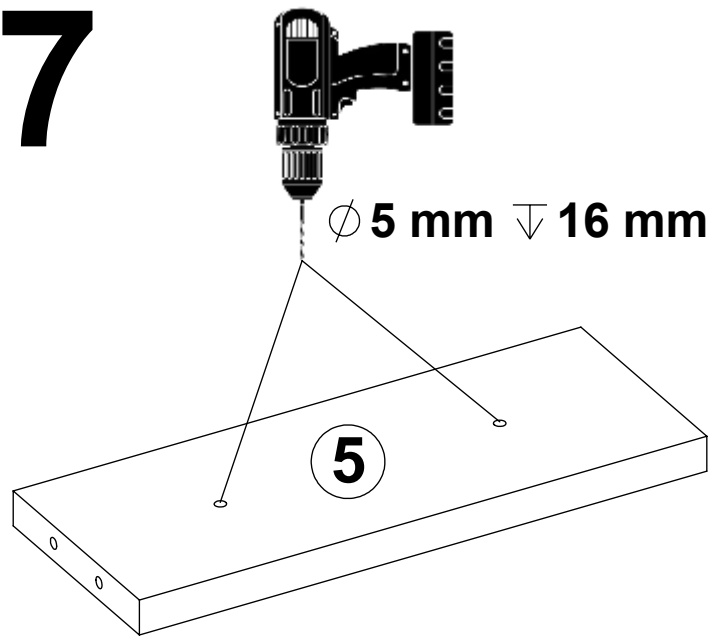
$a = b$



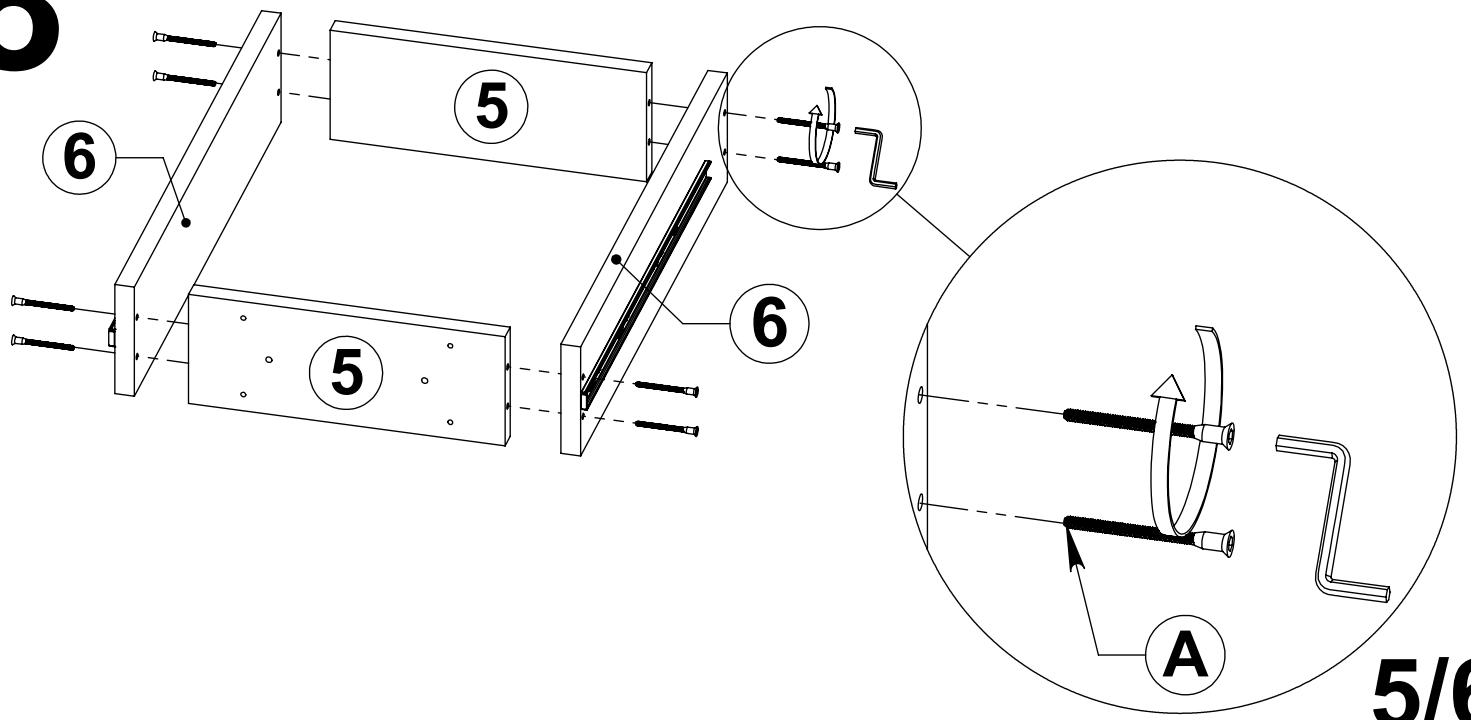
# 6



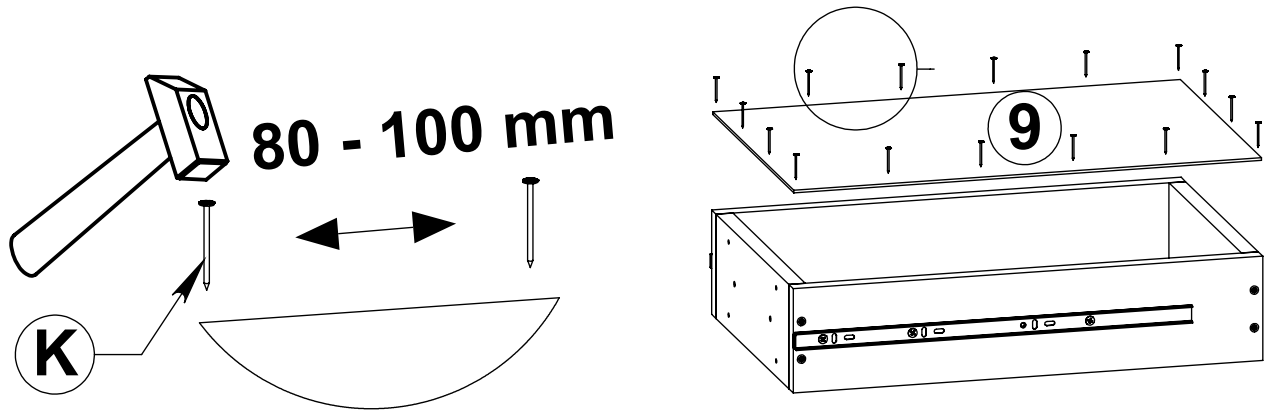
# 7



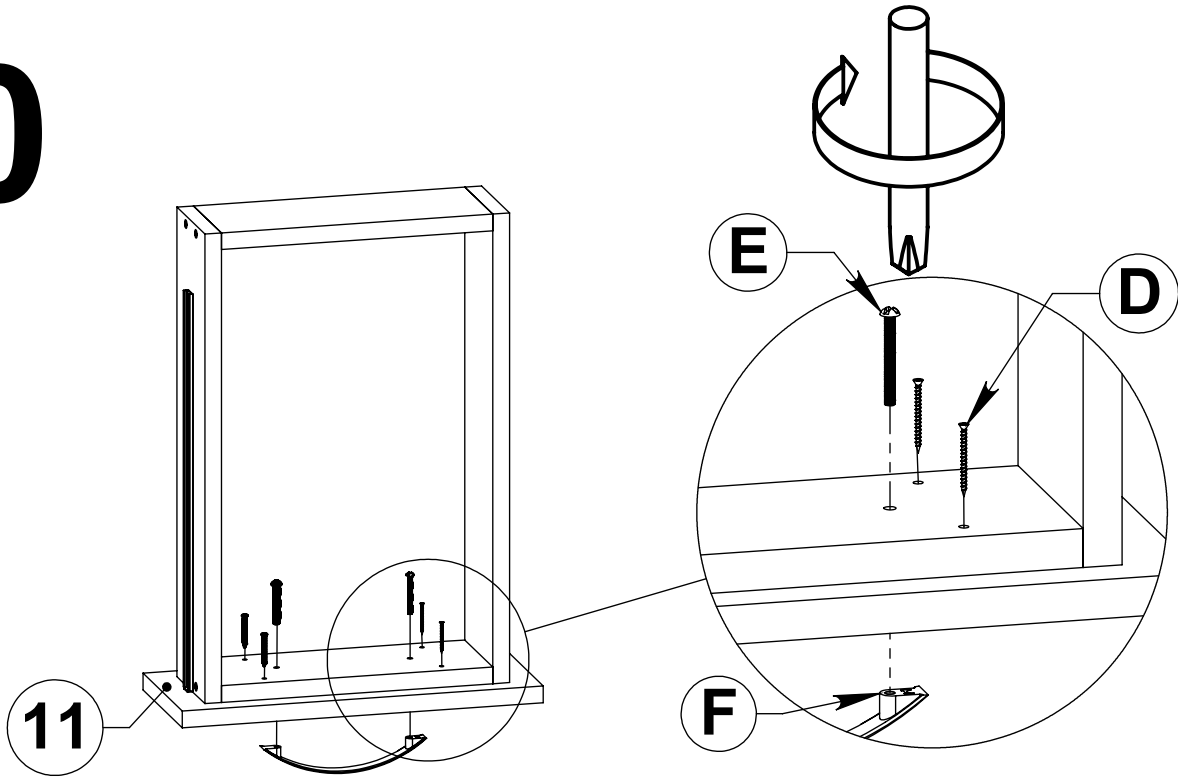
# 8



# 9



# 10



# 11

