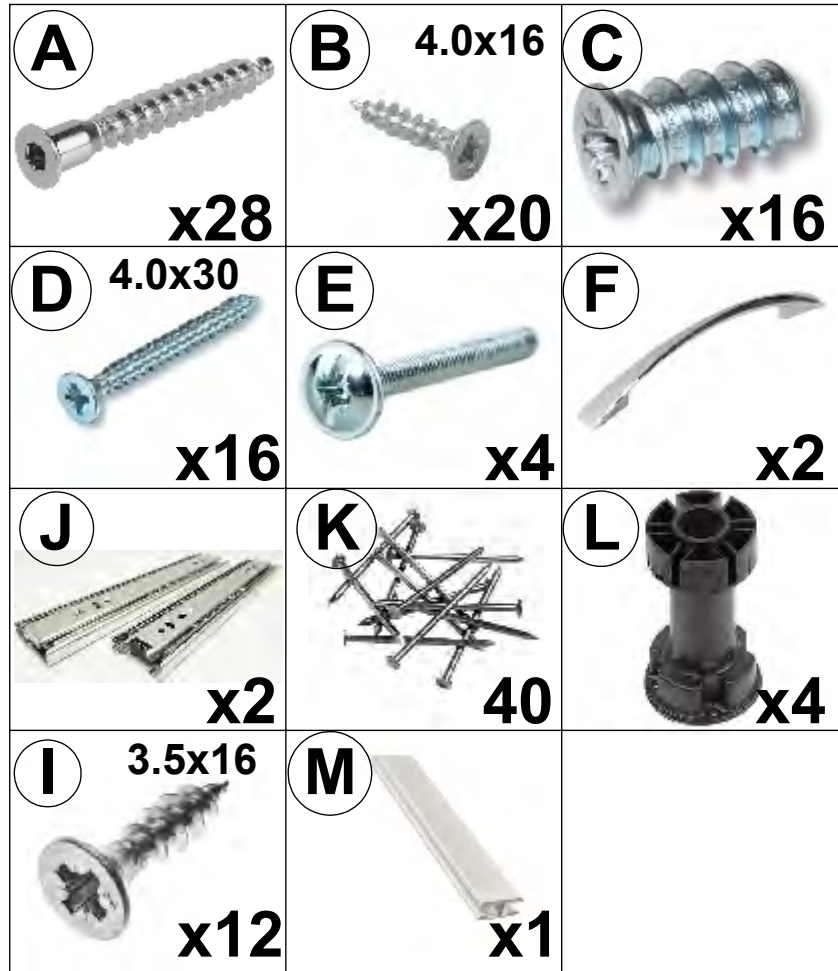
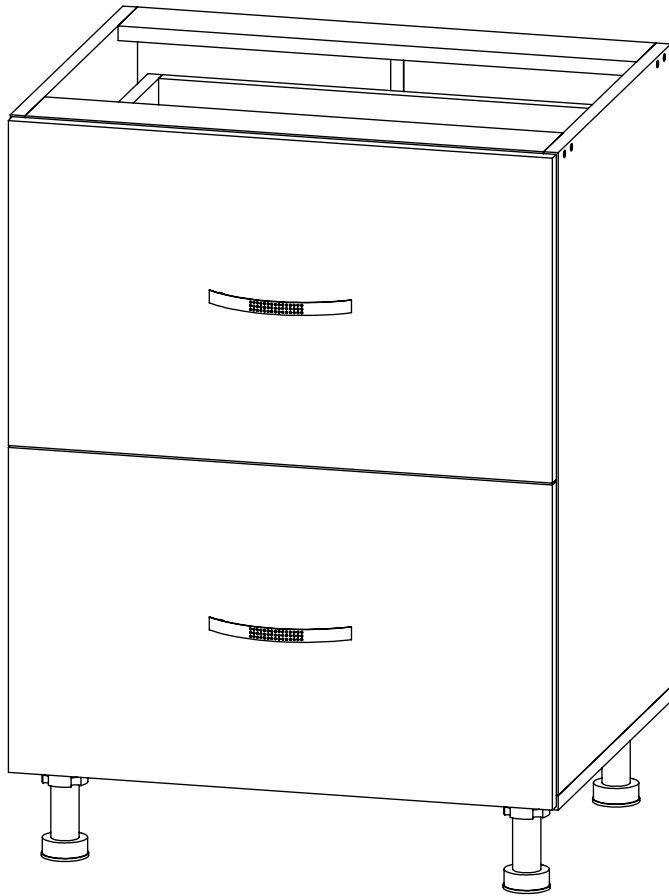
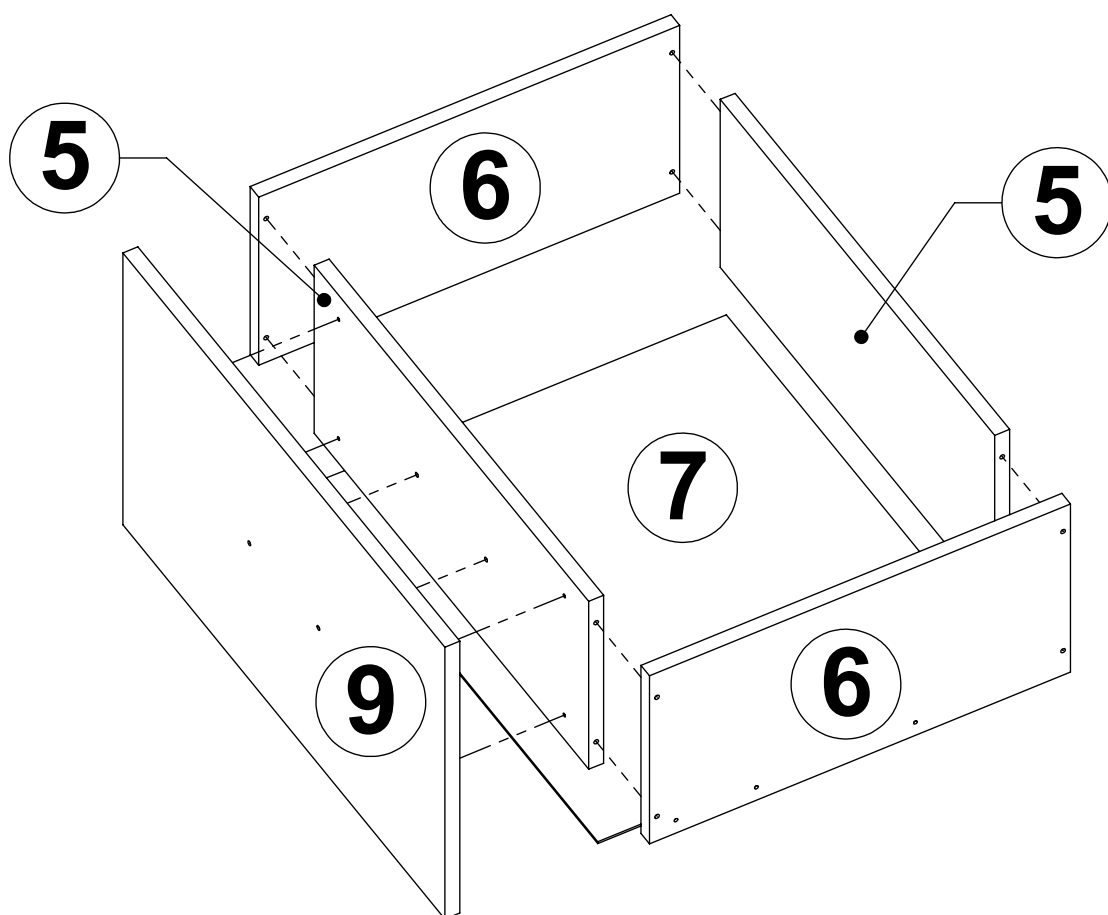
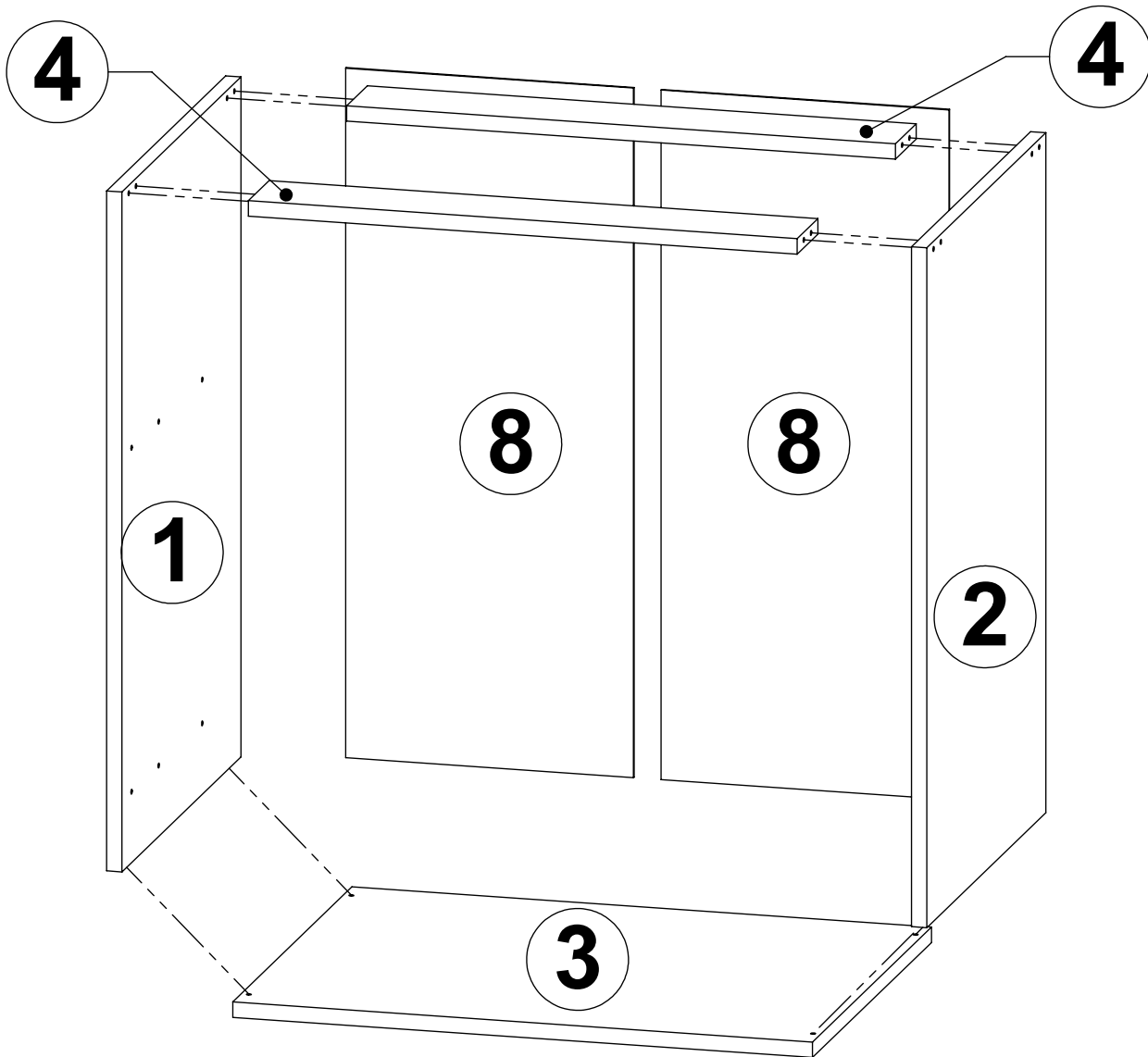


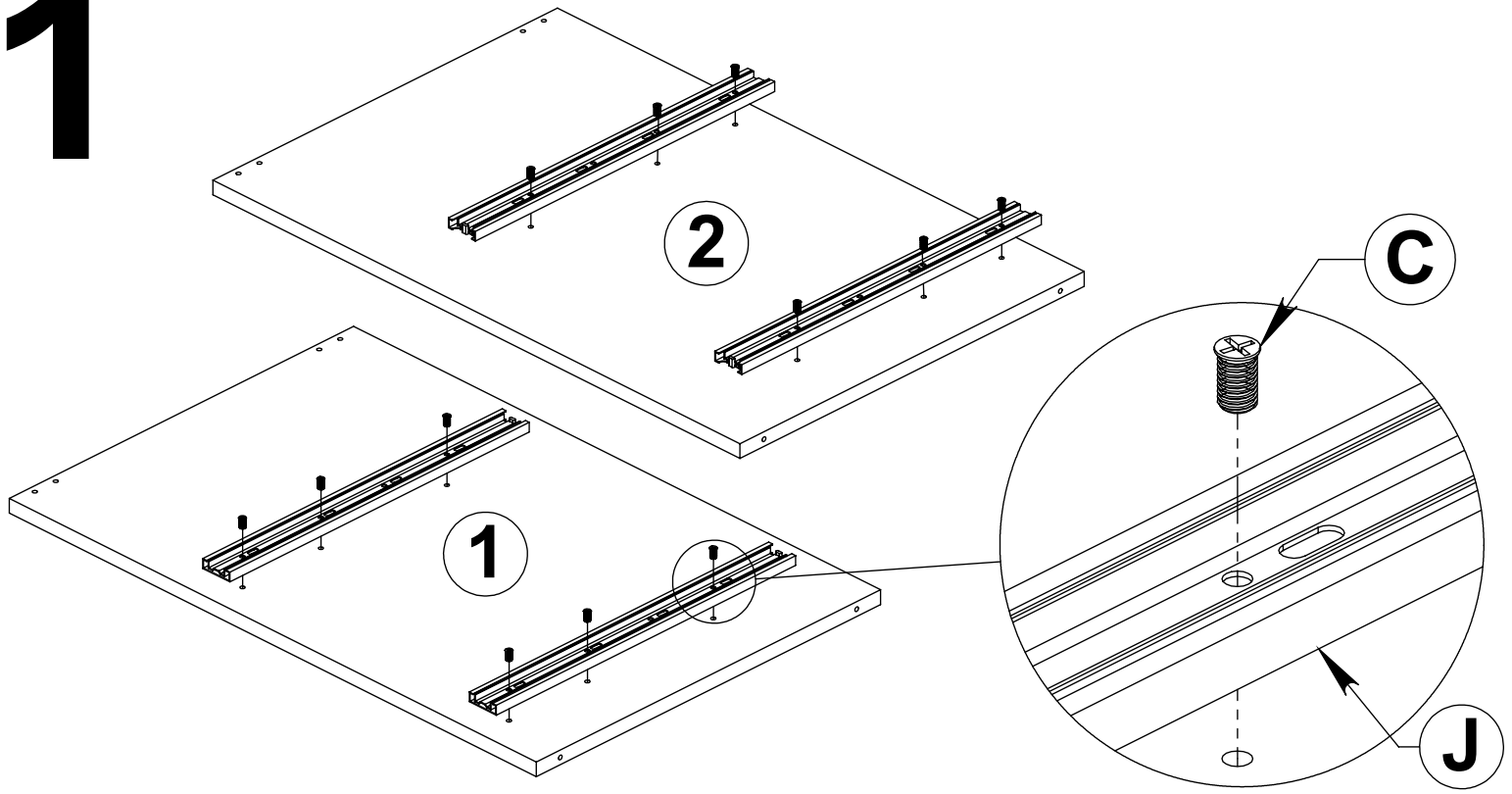
LOW Units



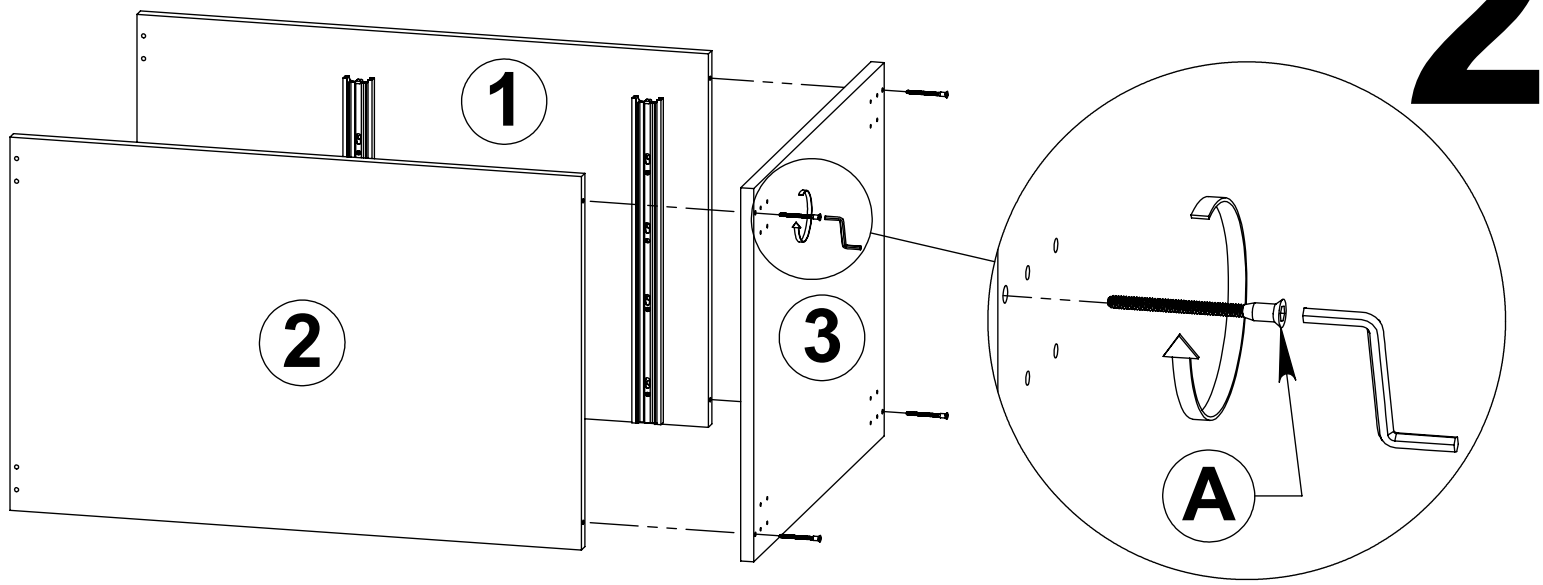
No	LD1150	LD1160	LD1170	LD1180	X
①	704x460	704x460	704x460	704x460	1
②	704x460	704x460	704x460	704x460	1
③	500x460	600x460	700x460	800x460	1
④	468x80	568x80	668x80	768x80	2
⑤	408x220	508x220	608x220	708x220	4
⑥	450x220	450x220	450x220	450x220	4
⑦	438x448	538x448	638x448	738x448	2
⑧	714x298	714x298	714x348	714x398	2
⑧	714x198	-	-	-	-
⑨	355x496	355x596	355x696	355x796	2



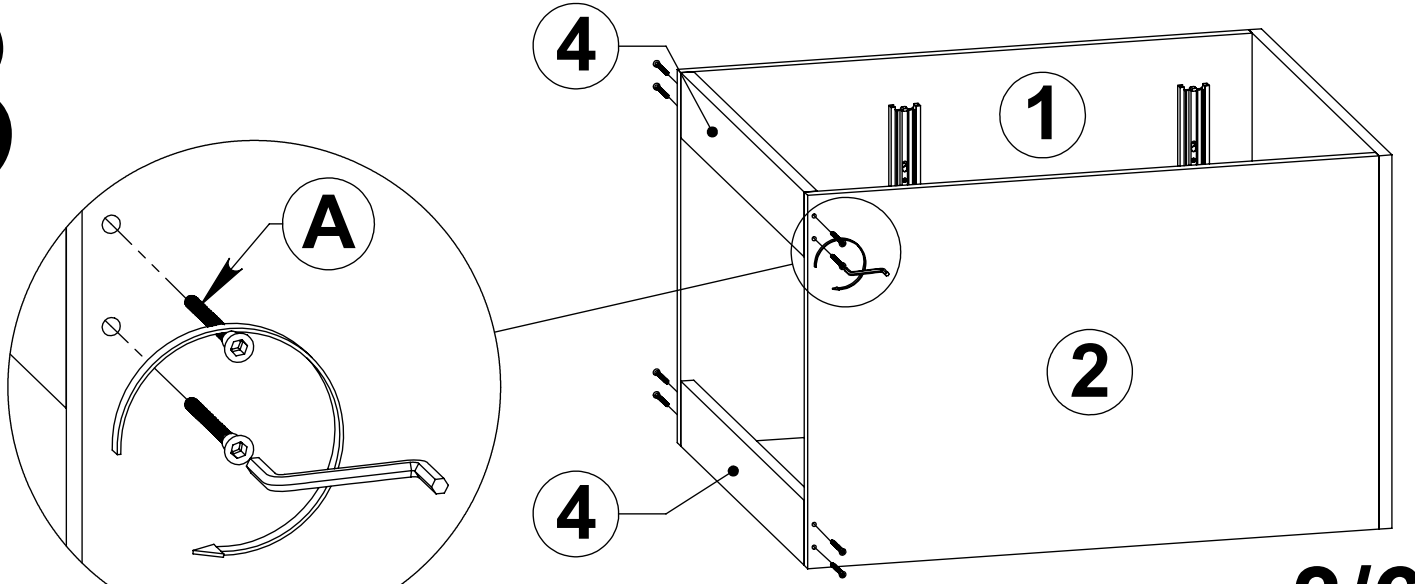
1



2



3

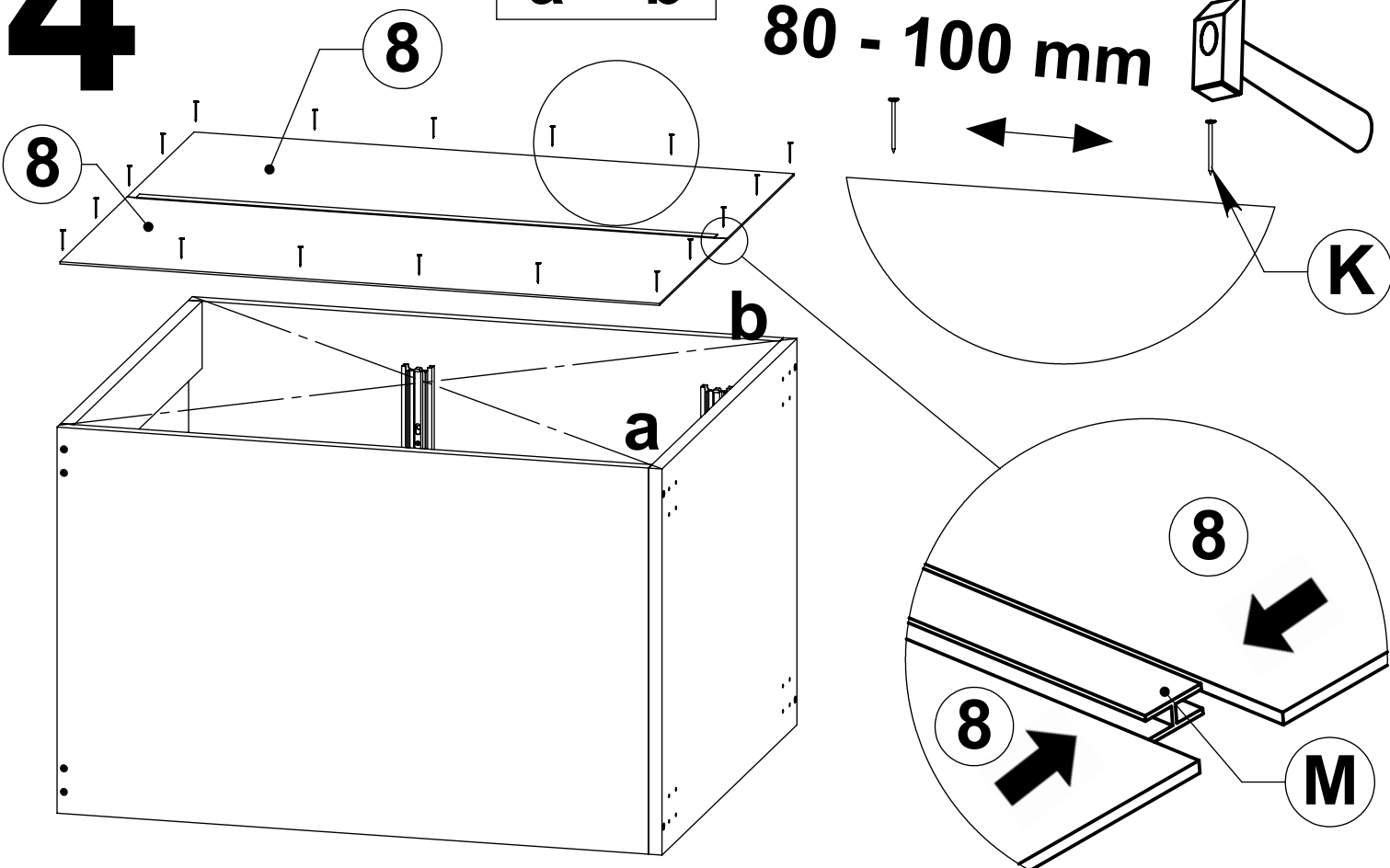


3/6

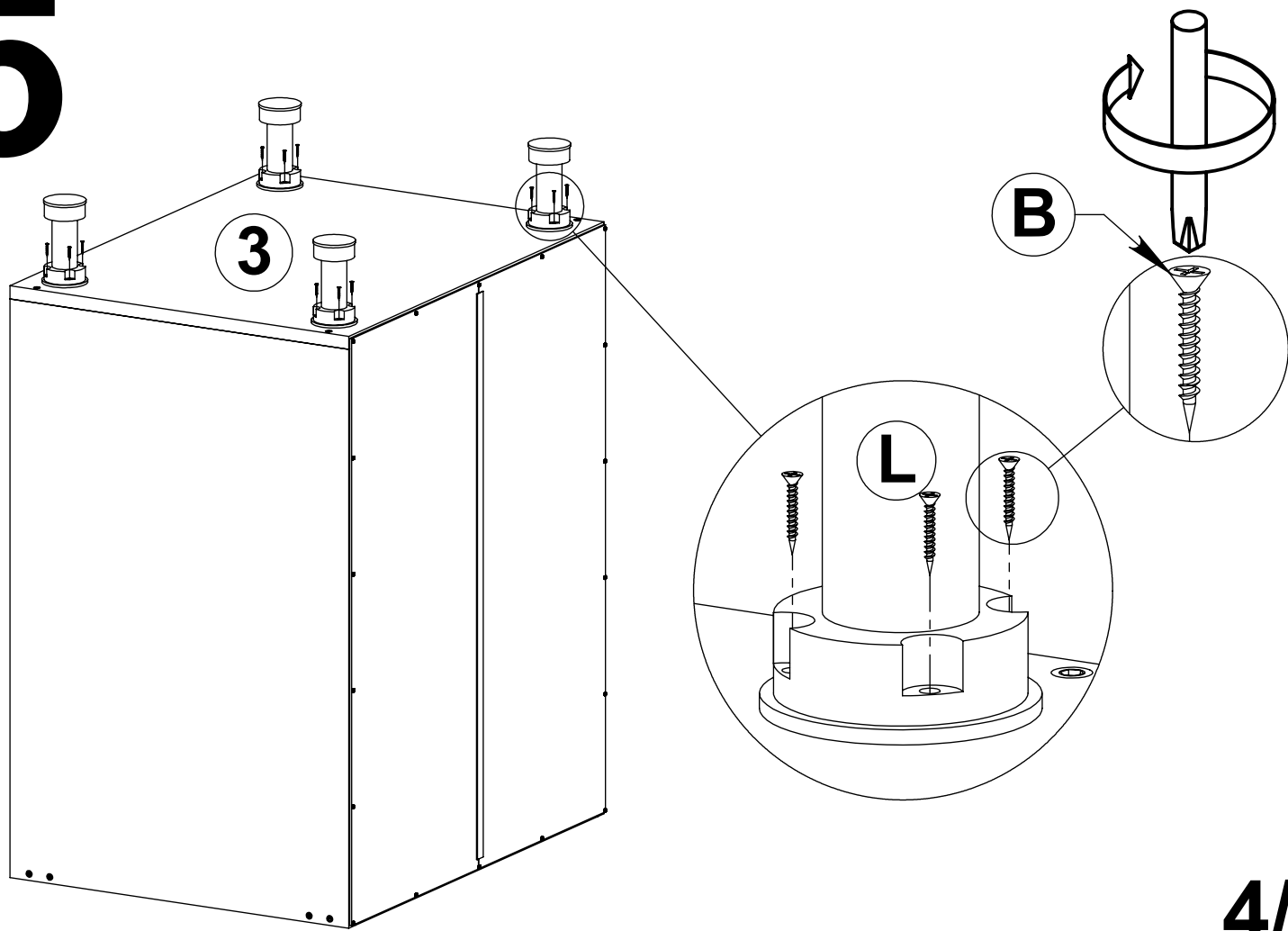
4

$a = b$

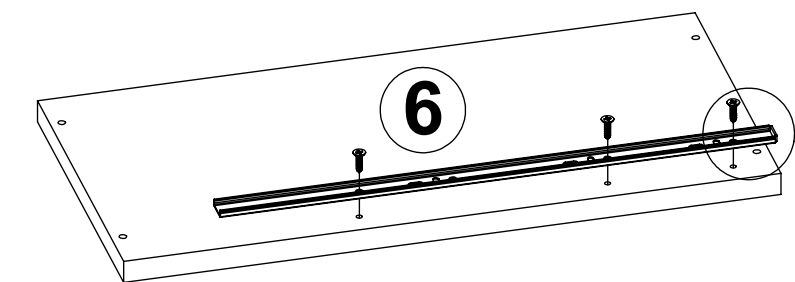
80 - 100 mm



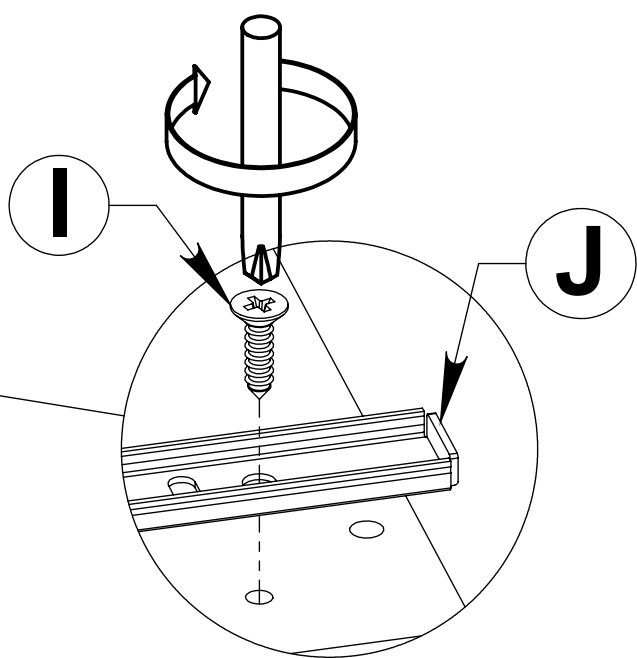
5



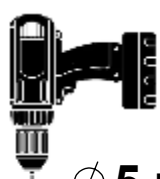
6



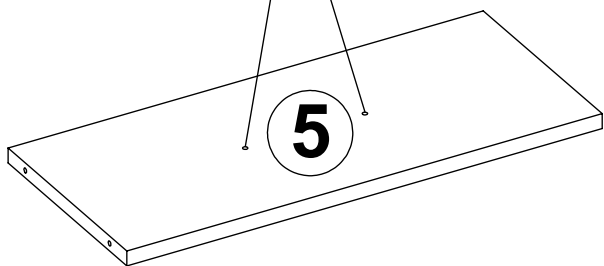
X2



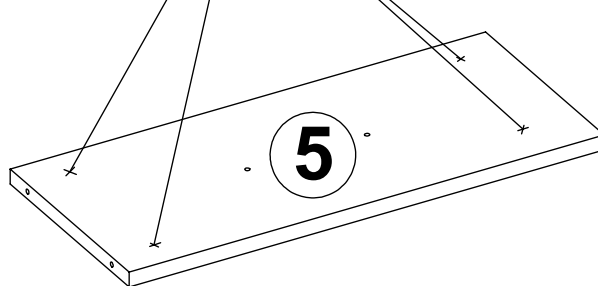
7



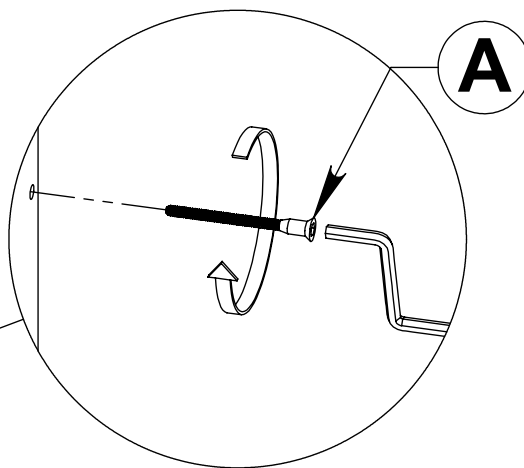
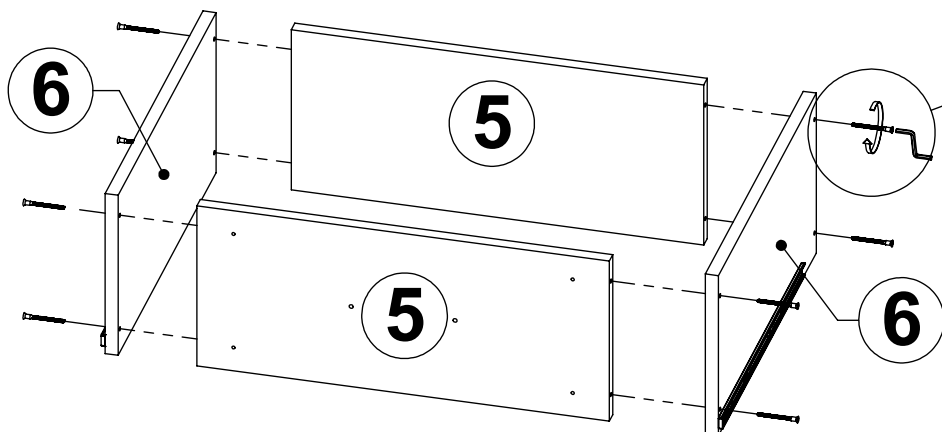
\varnothing 5 mm ∇ 16 mm



\varnothing 4 mm ∇ 16 mm



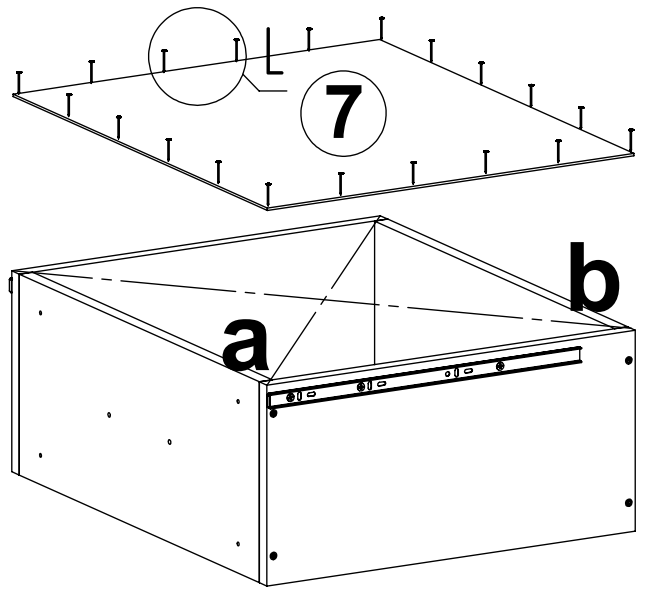
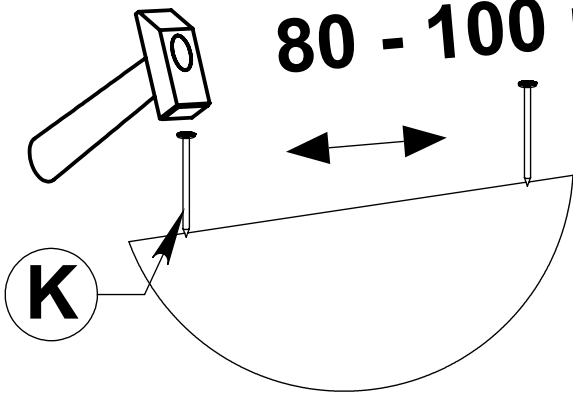
8



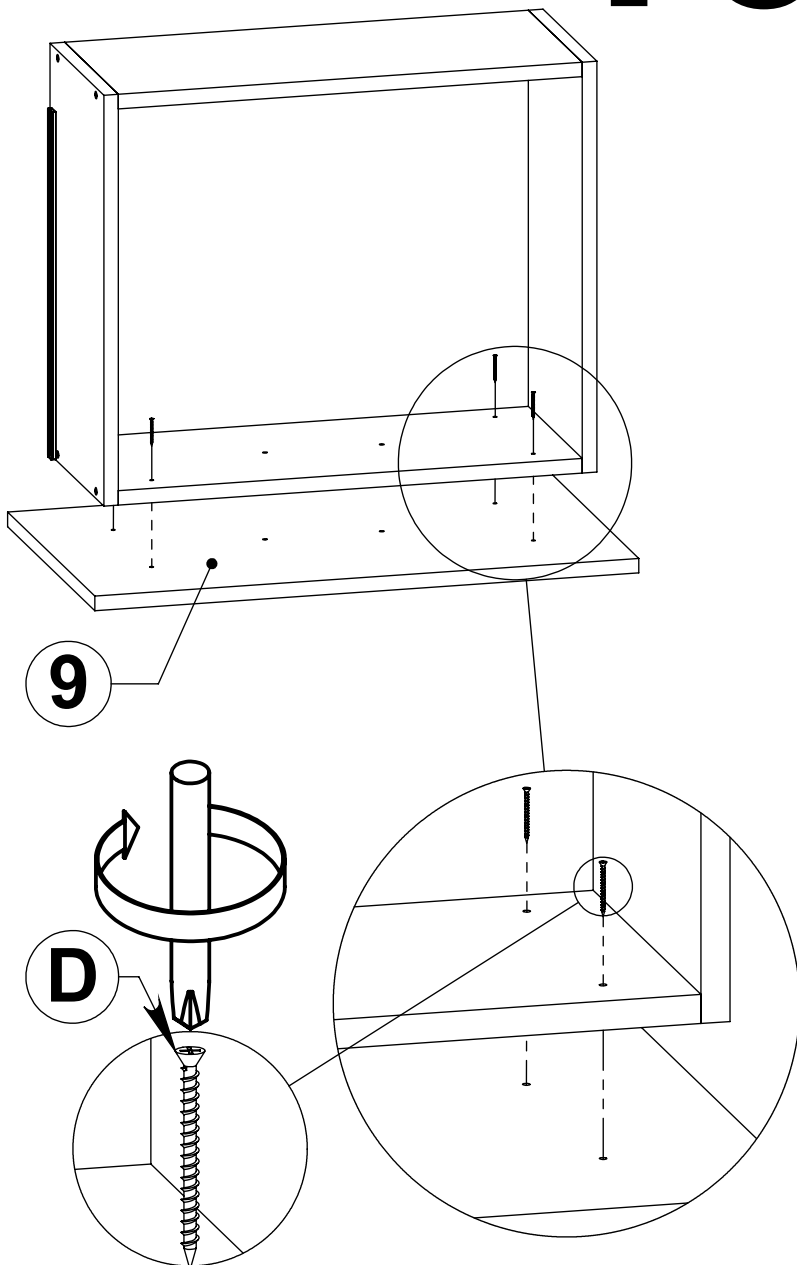
9

a = b

80 - 100 mm



10



11

