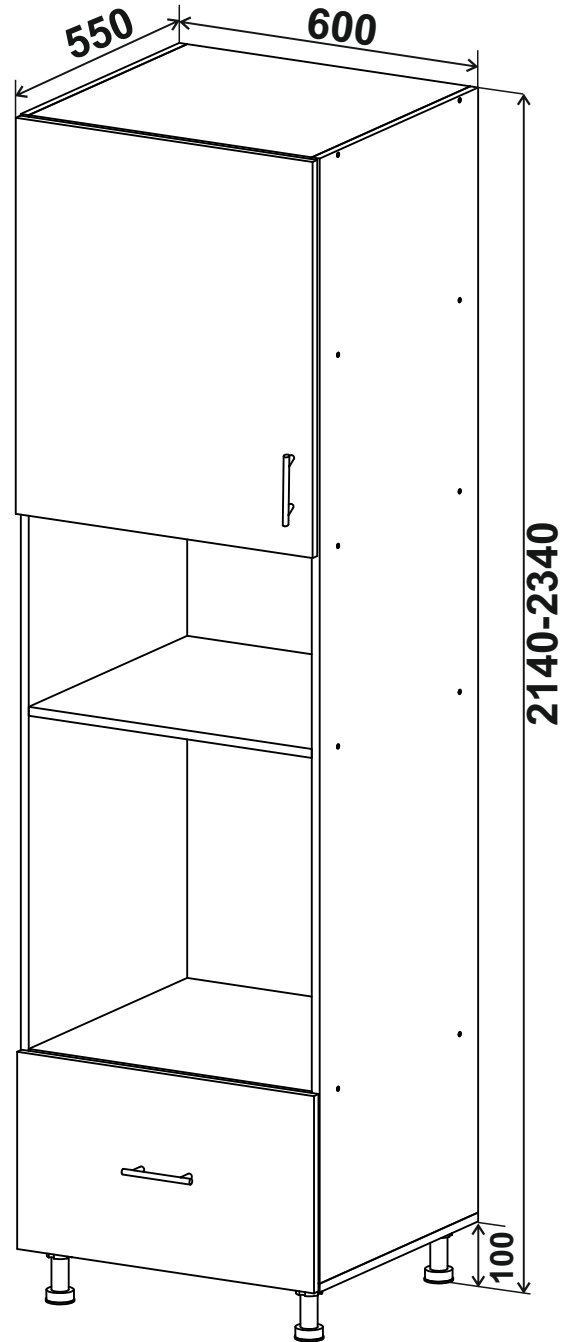
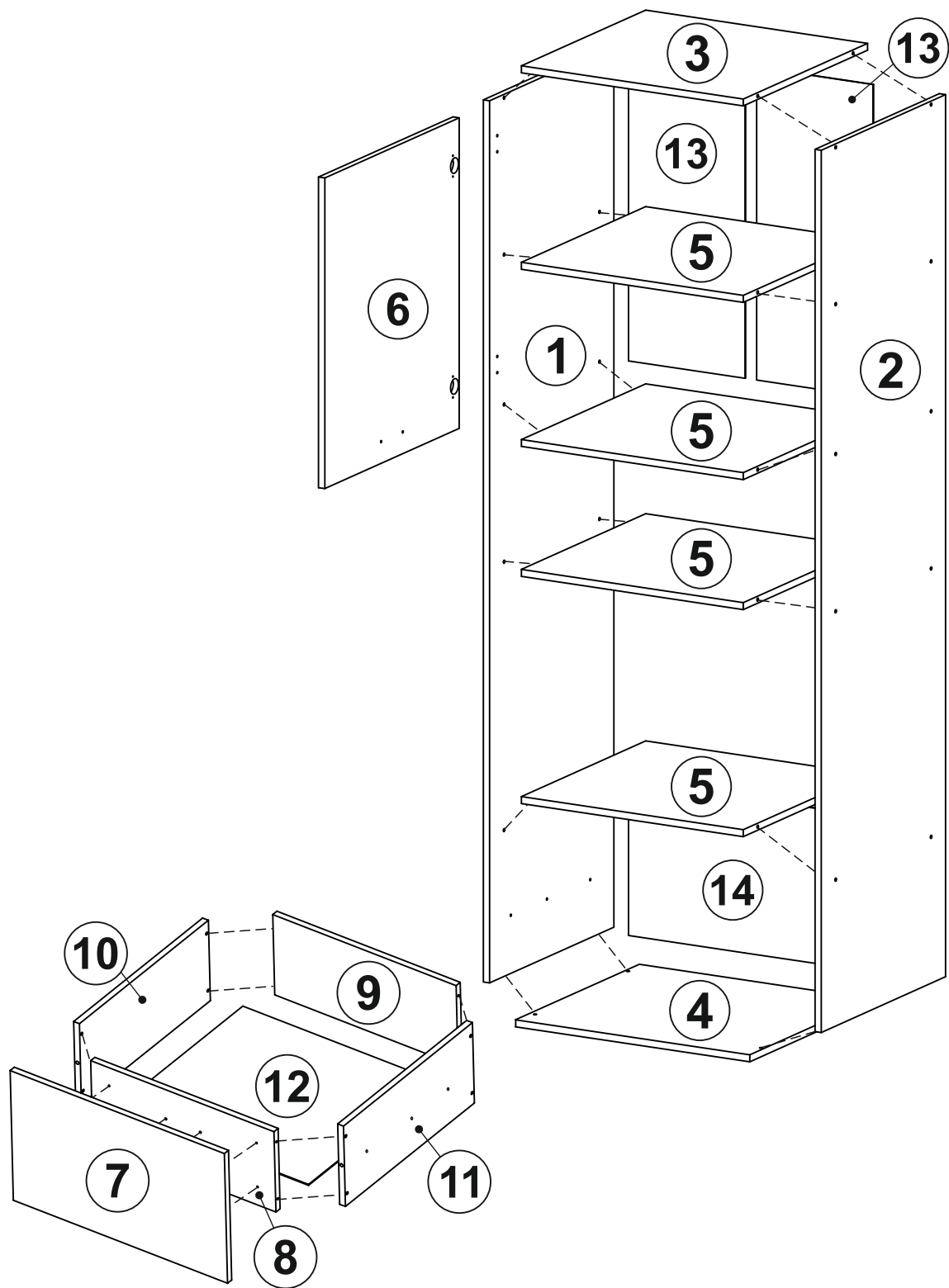
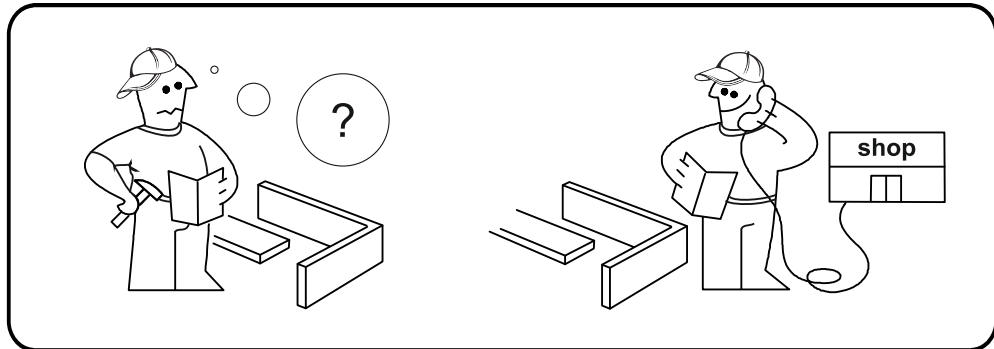
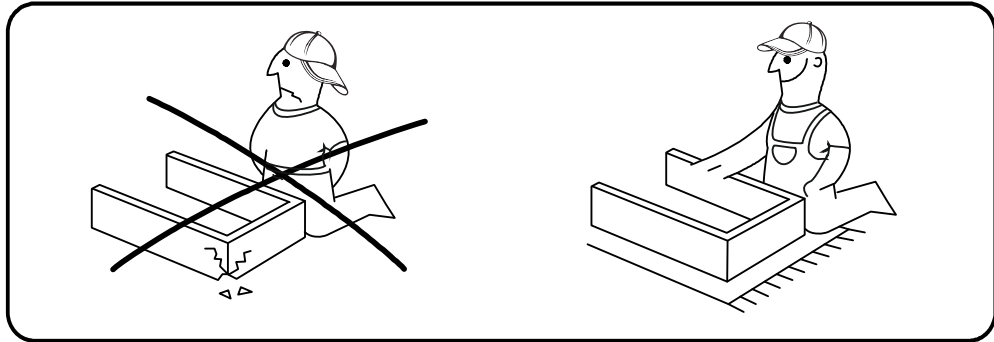
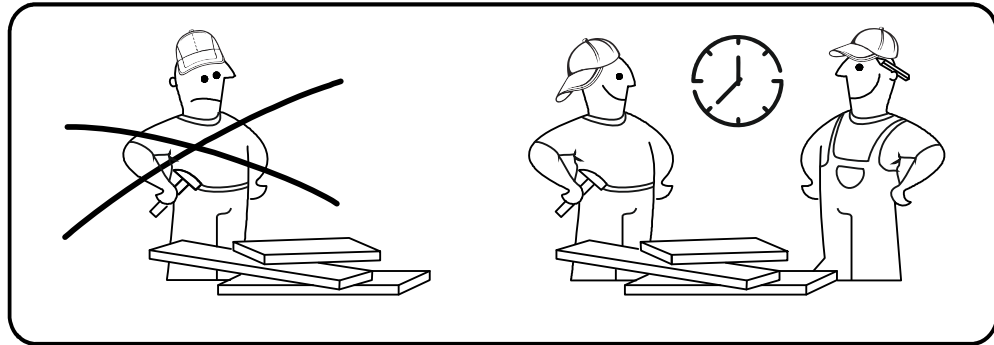
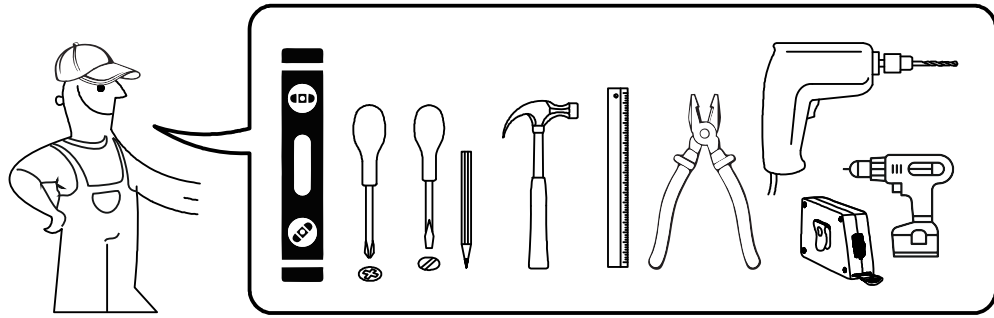
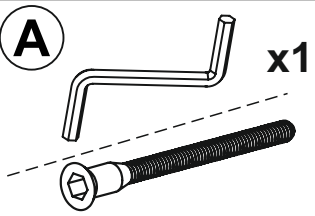
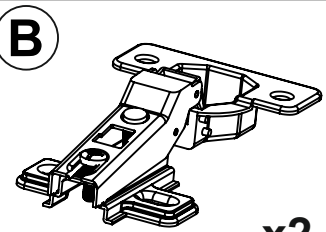
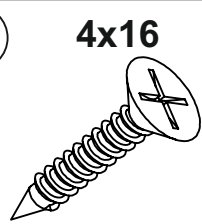

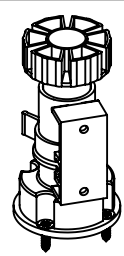
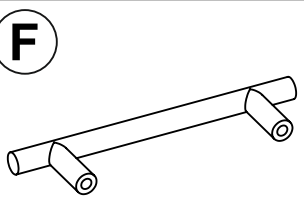
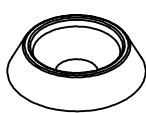
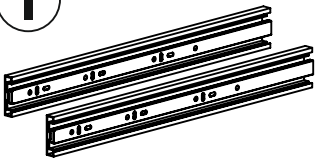
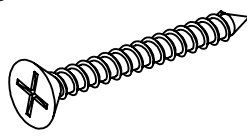
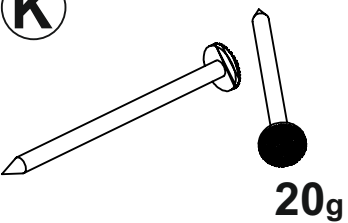
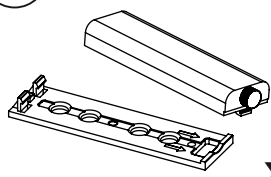
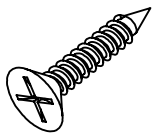


HL2144 - HL2344





A  x1 x32	B  x2	C 4x16  x16	D  x12	E  x4	F  x2
G 4x25 x2 G1 4x40 x2	H  x4	I  x1	J 4x30  x4	K  20g x1	L *  x1
M HL2144 327mm 344mm x1	M1 x1	M HL2344 430mm 445mm x1	M1 x1	N 3,5x16  x10	G2 3.5x25 x2 3x13 x2

HL2144

No	a x b x c	x	Paket
①	2024x550x16	1	2/3
②	2024x550x16	1	2/3
③	568x550x16	1	1/3
④	600x550x16	1	1/3
⑤	568x550x16	4	1/3
⑥	355x596x16	1	3/3
⑦	713x596x16	1	3/3

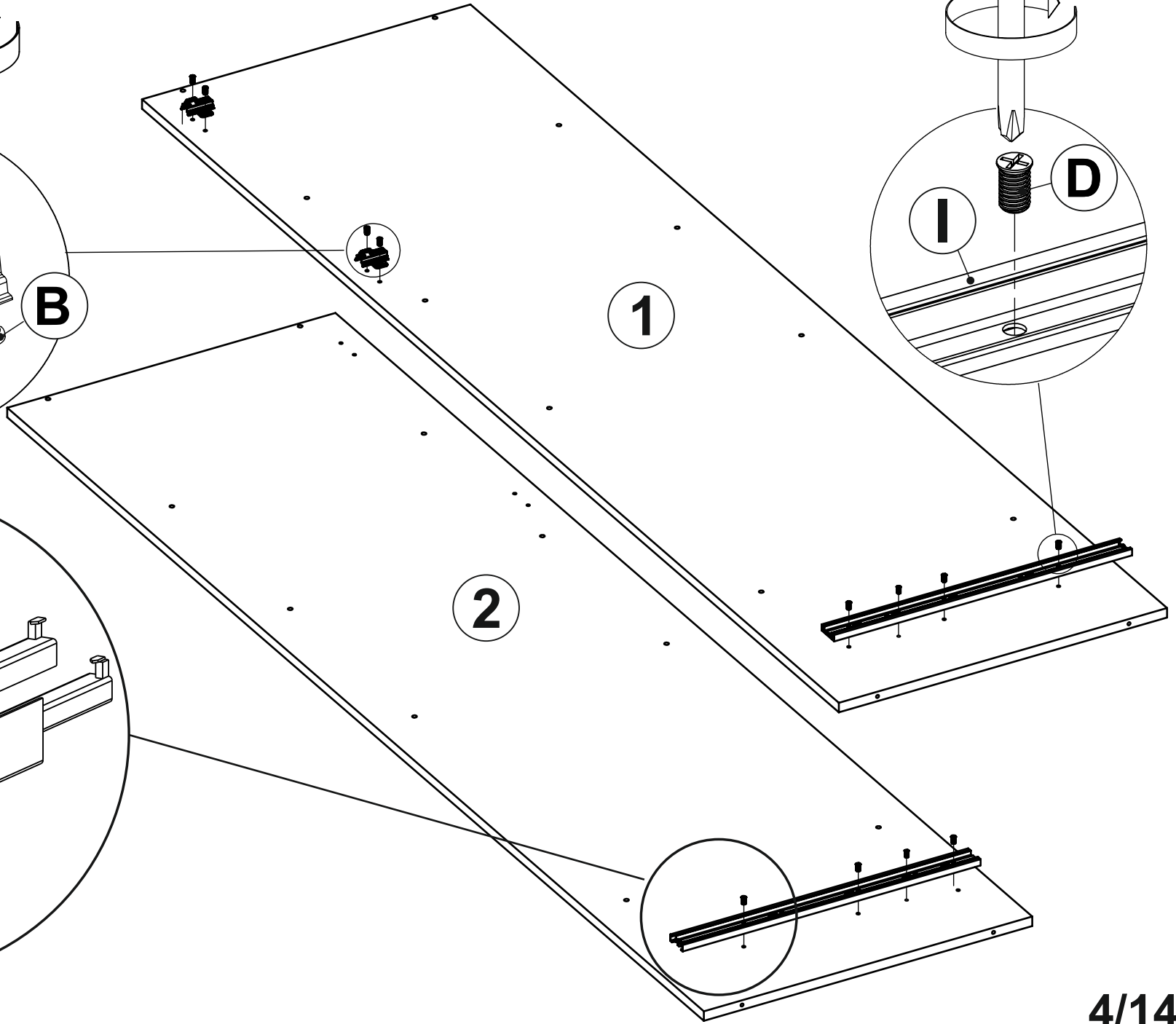
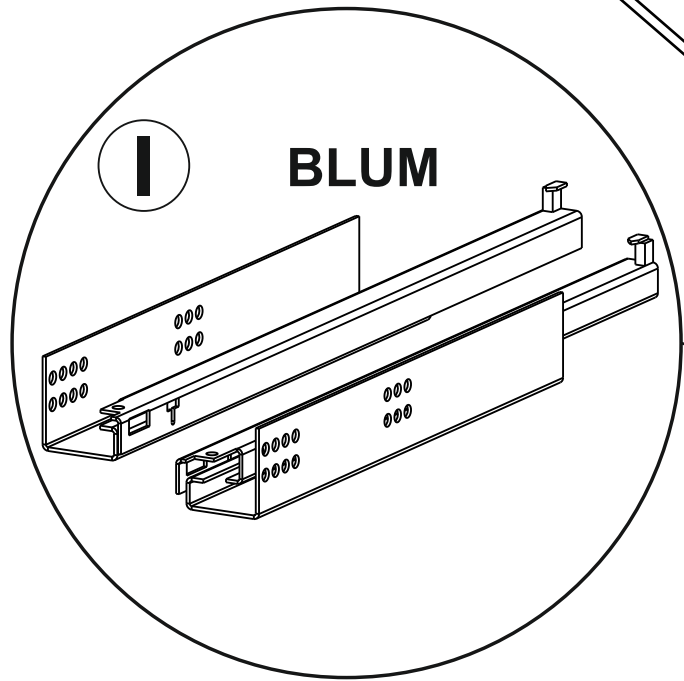
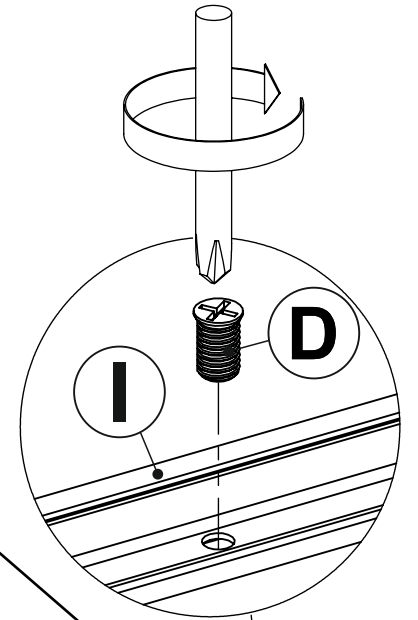
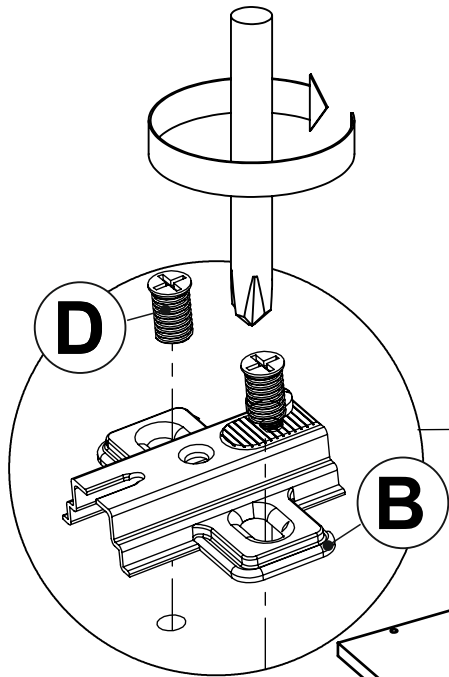
No	a x b x c	x	Paket
⑧	508x220x16	1	1/3
⑨	508x220x16	1	1/3
⑩	450x220x16	1	1/3
⑪	450x220x16	1	1/3
⑫	448x538x2,5	1	2/3
⑬	714x298x2,5	2	2/3
⑭	354x598x2,5	1	2/3

HL2344

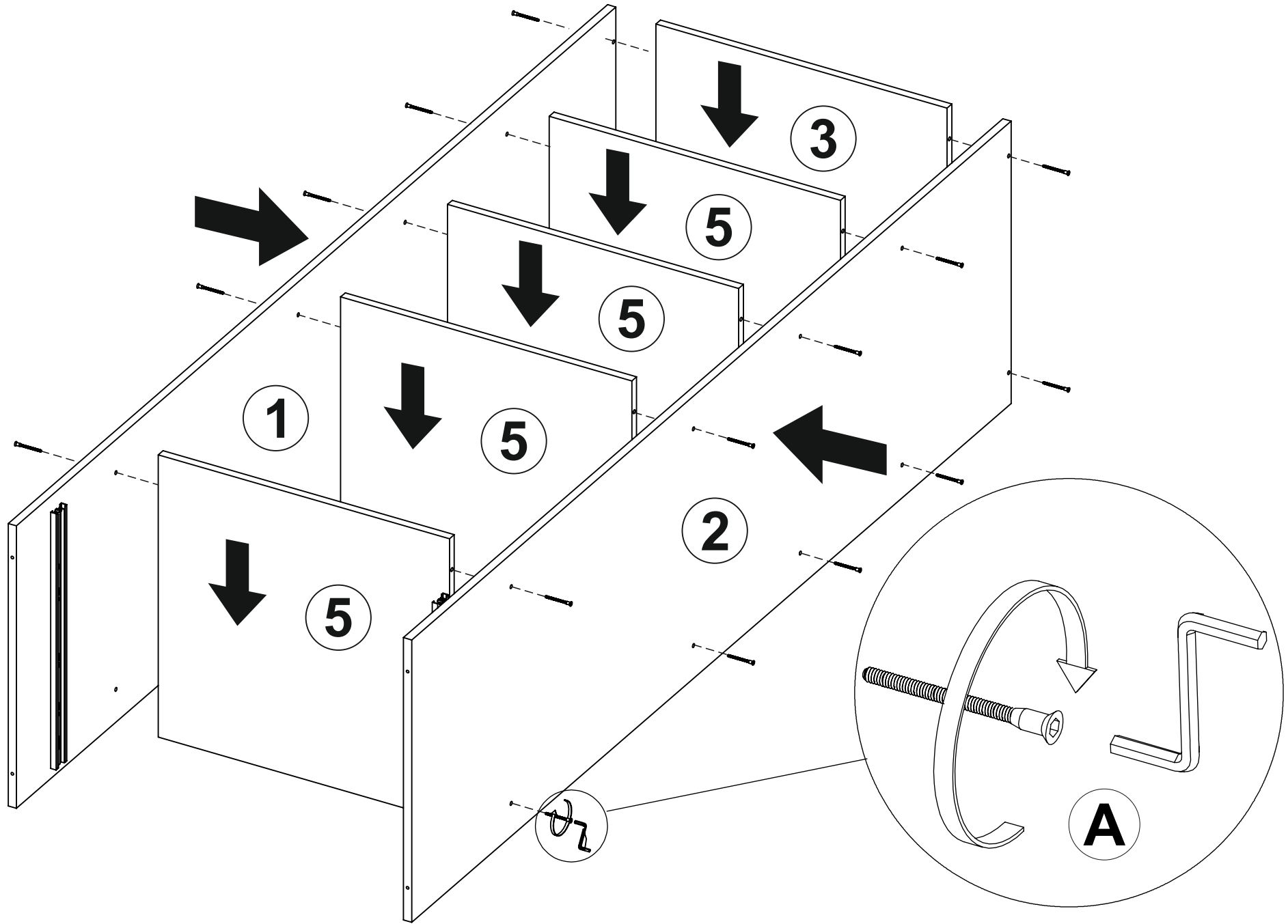
No	a x b x c	x	Paket
①	2231x550x16	1	2/3
②	2231x550x16	1	2/3
③	568x550x16	1	1/3
④	600x550x16	1	1/3
⑤	568x550x16	4	1/3
⑥	355x596x16	1	3/3
⑦	920x596x16	1	3/3

No	a x b x c	x	Paket
⑧	508x220x16	1	1/3
⑨	508x220x16	1	1/3
⑩	450x220x16	1	1/3
⑪	450x220x16	1	1/3
⑫	448x538x2,5	1	2/3
⑬	714x298x2,5	2	2/3
⑭	354x598x2,5	1	2/3

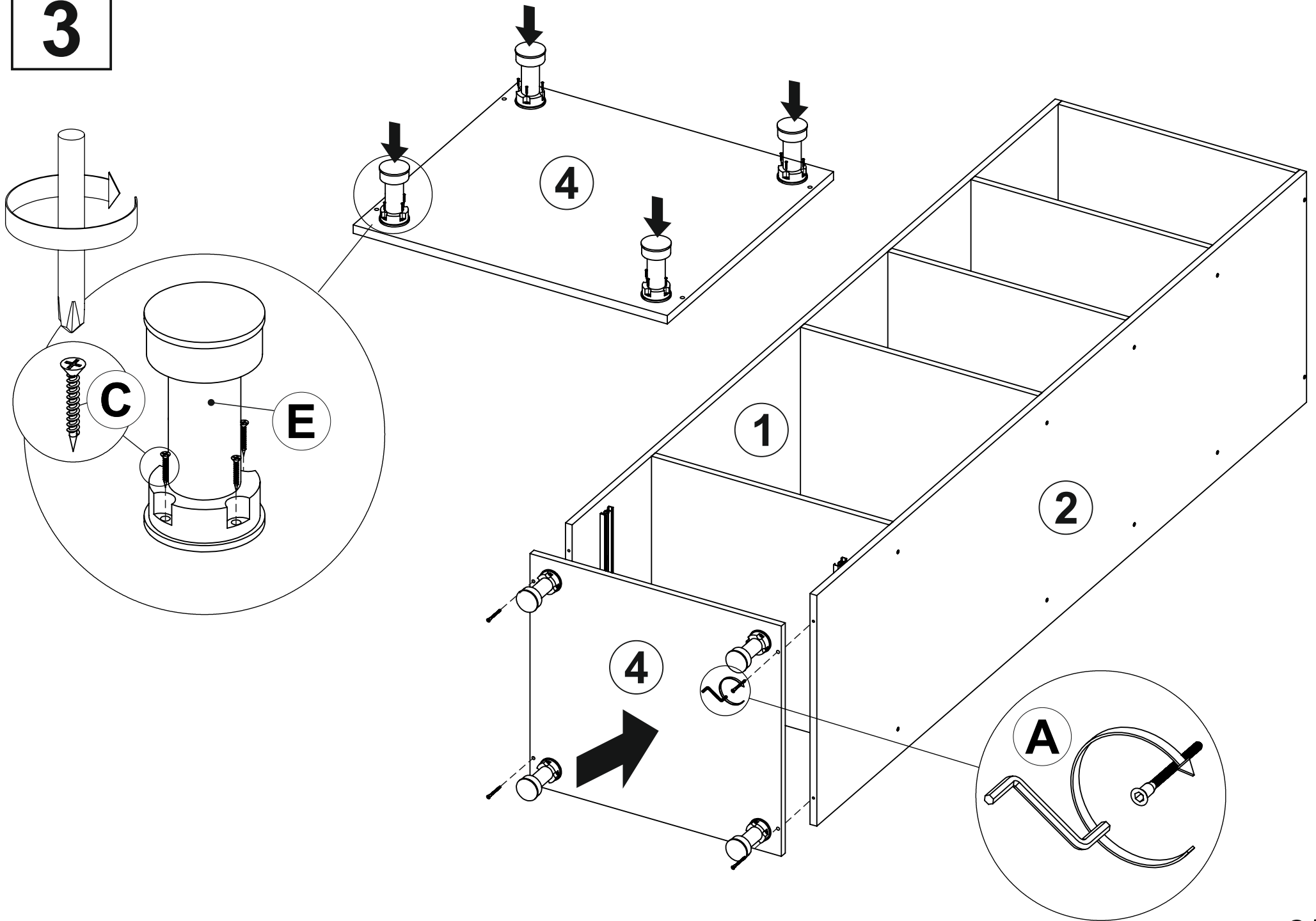
1



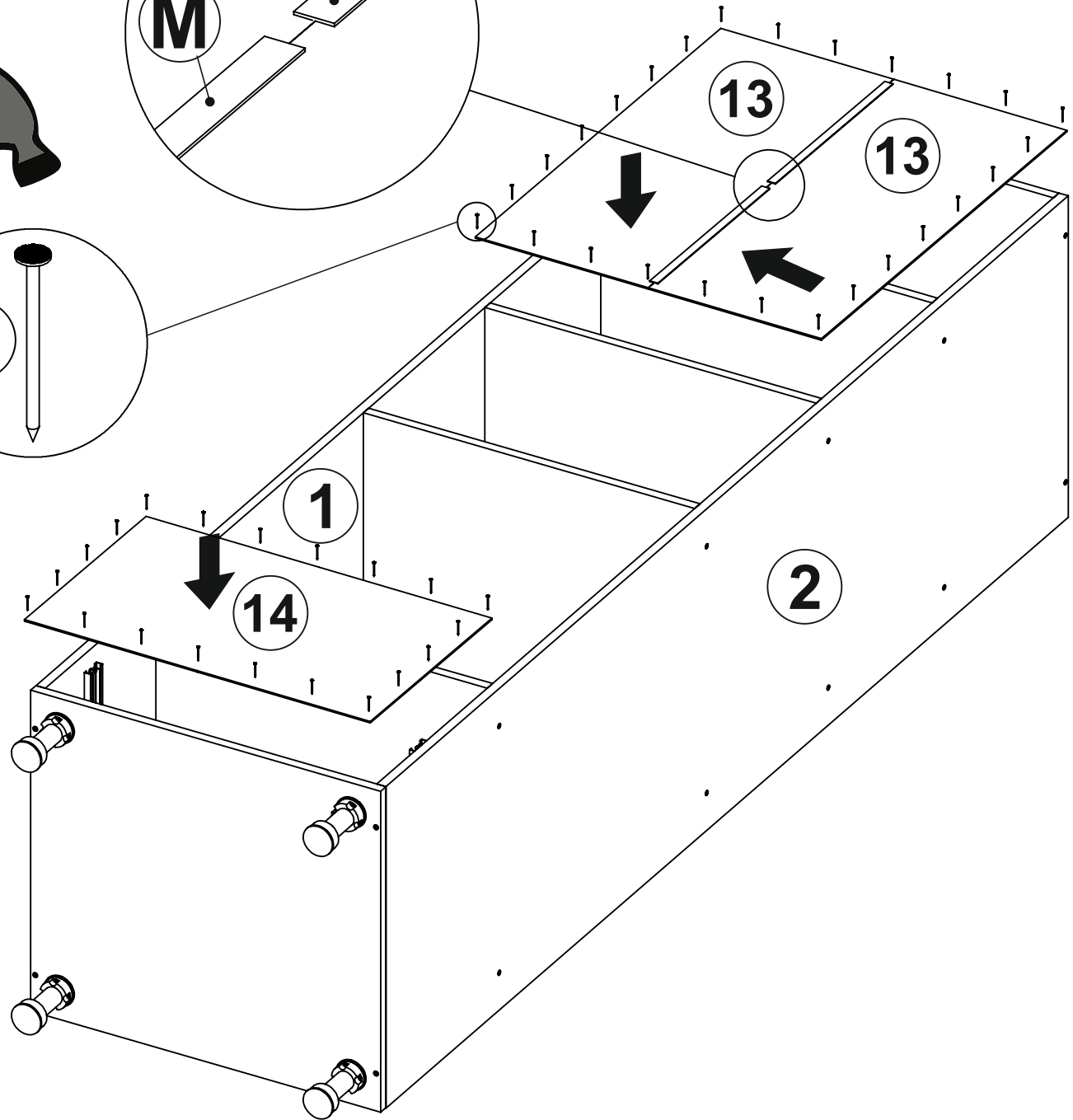
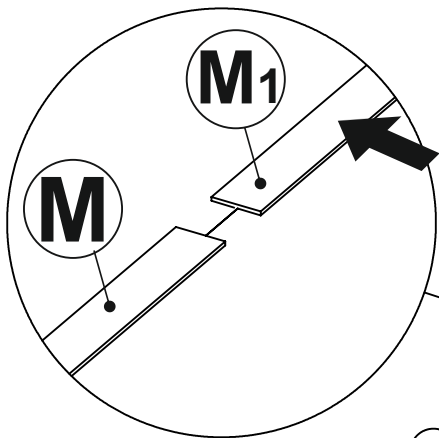
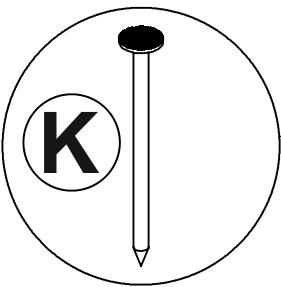
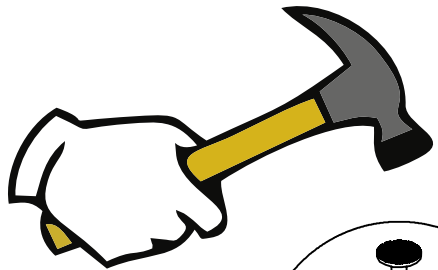
2



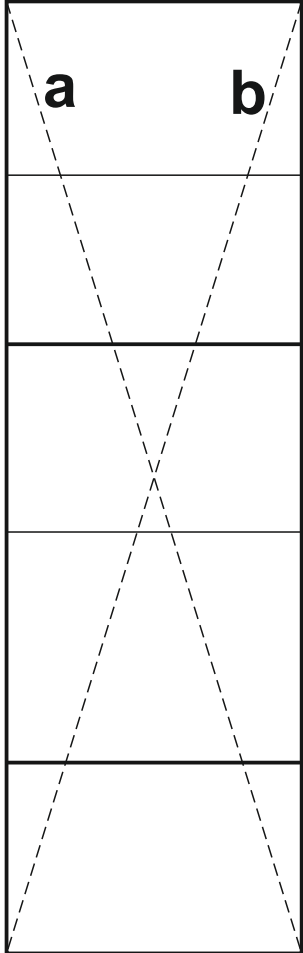
3



4

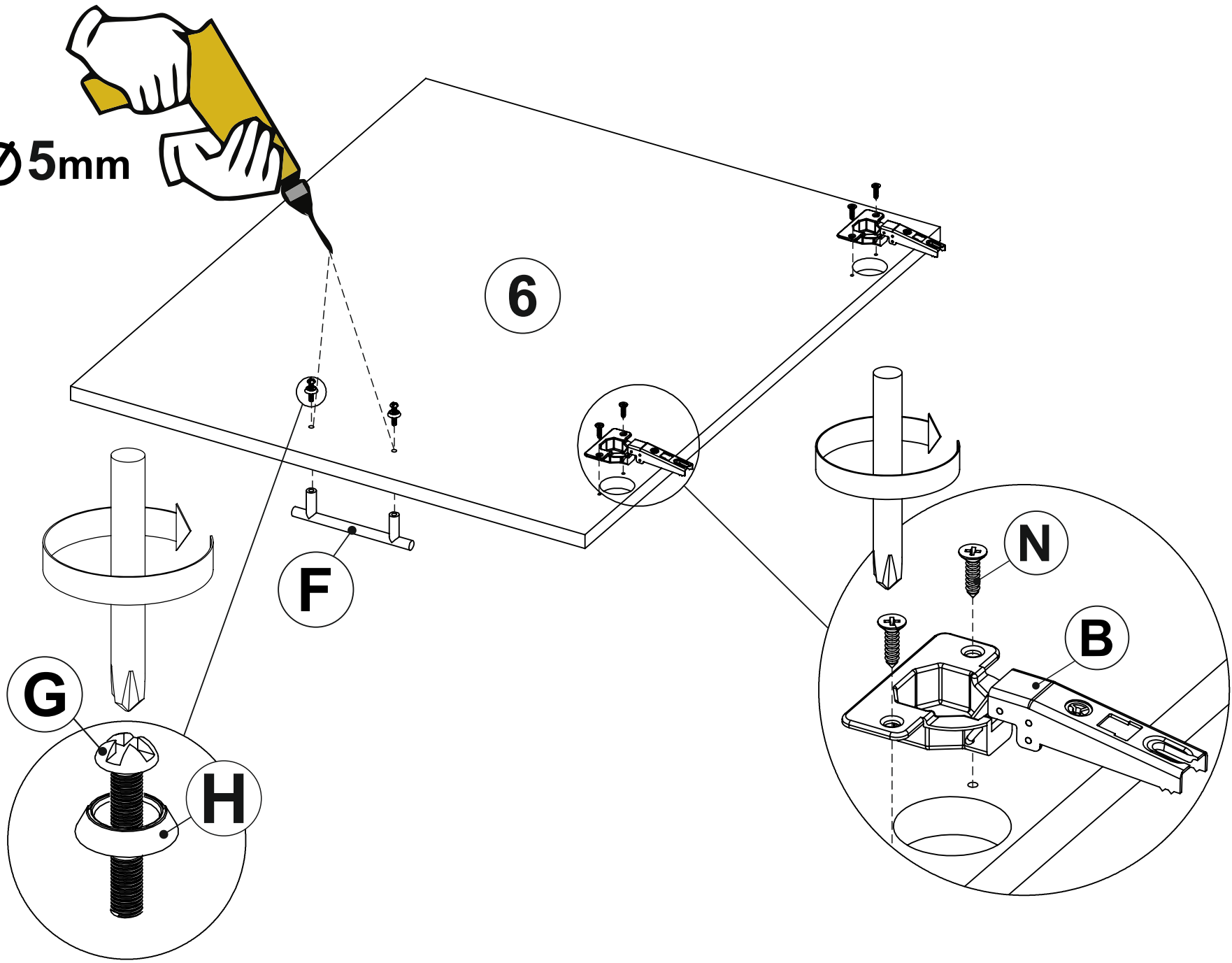


a=b

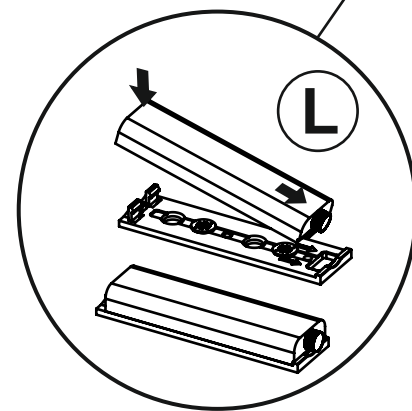
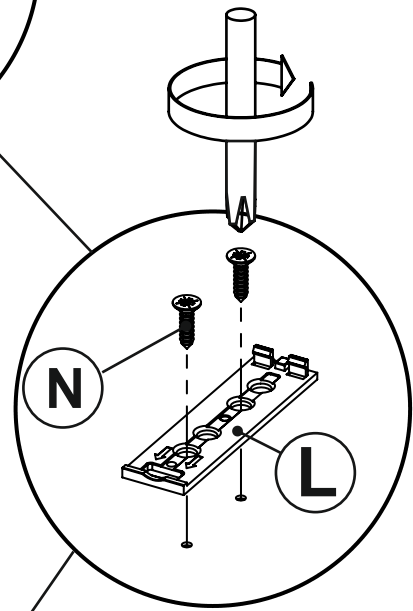
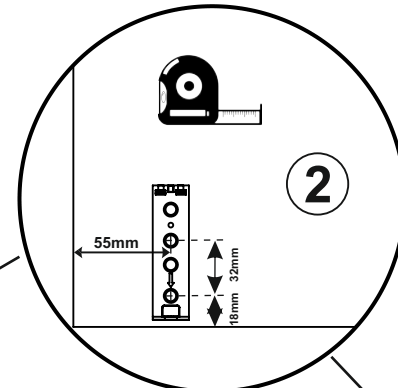
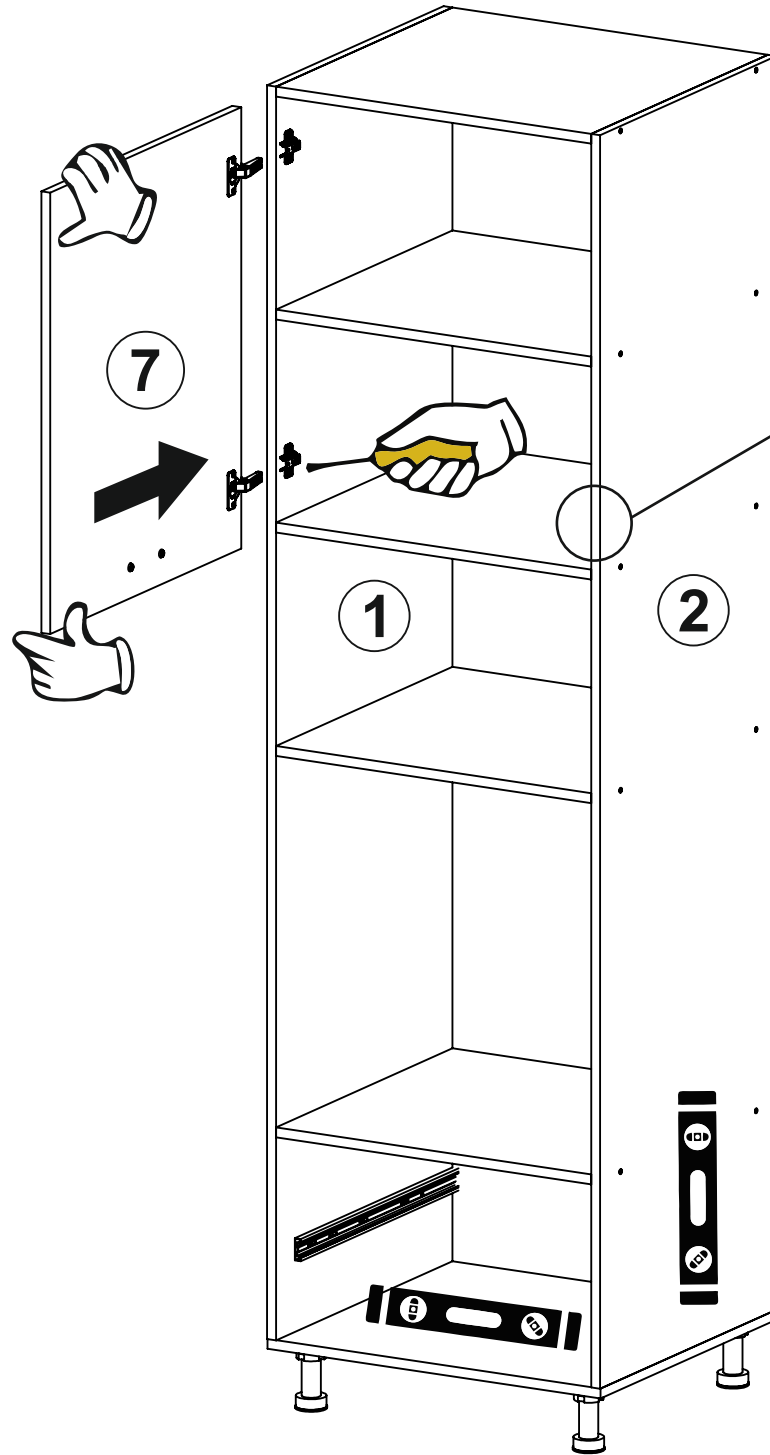
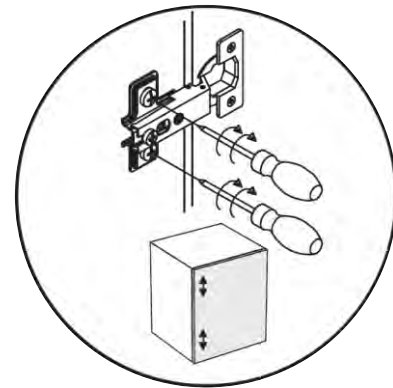
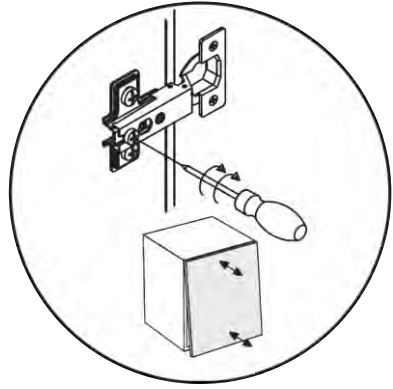
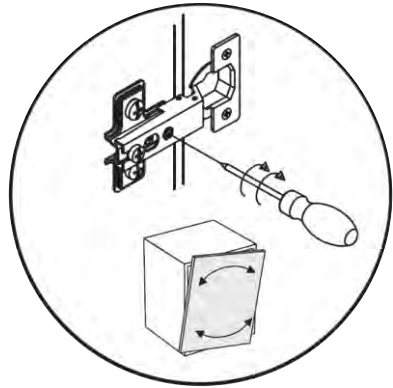


5

$\varnothing 5\text{mm}$



6



7

11

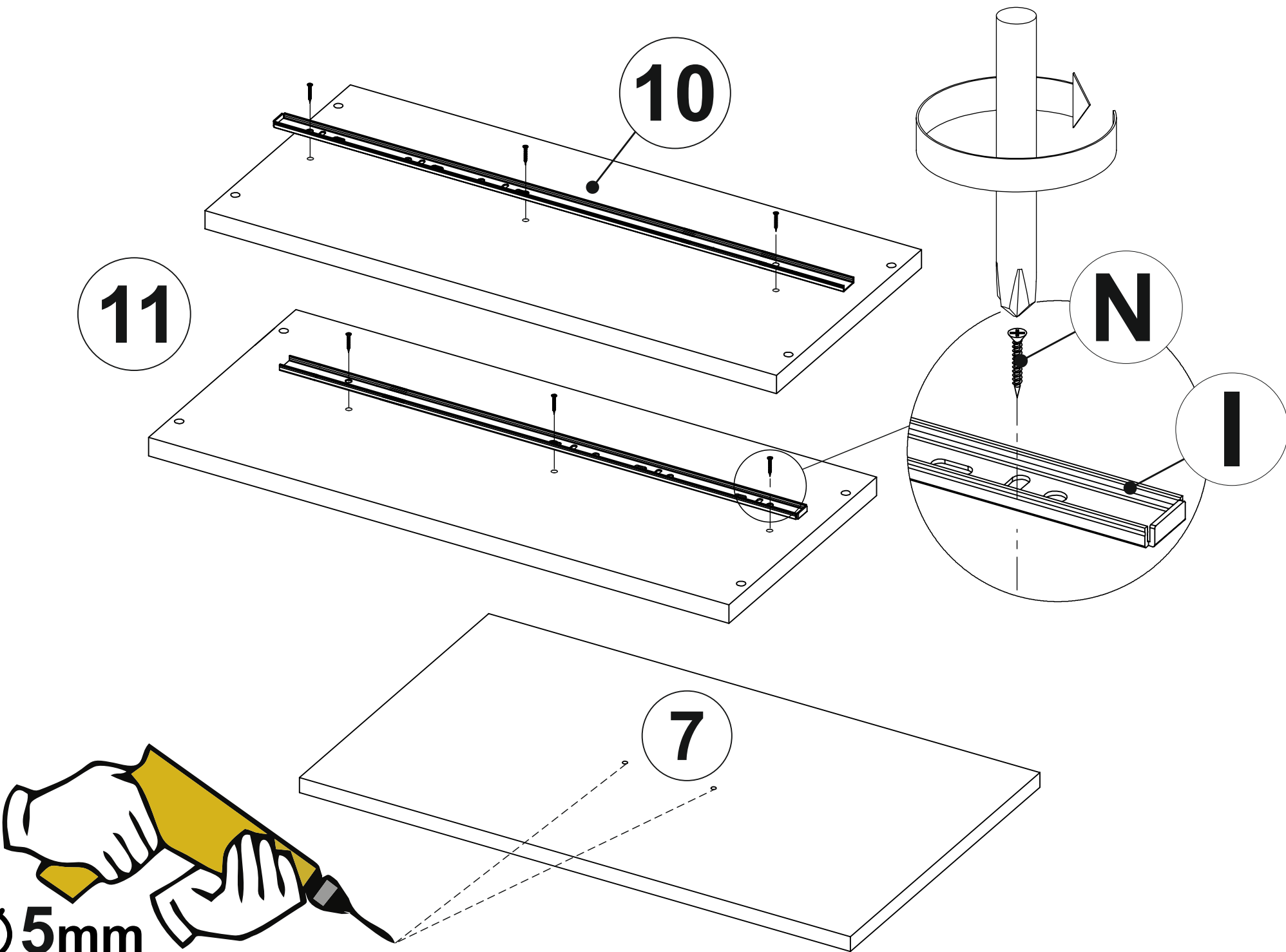
10

N

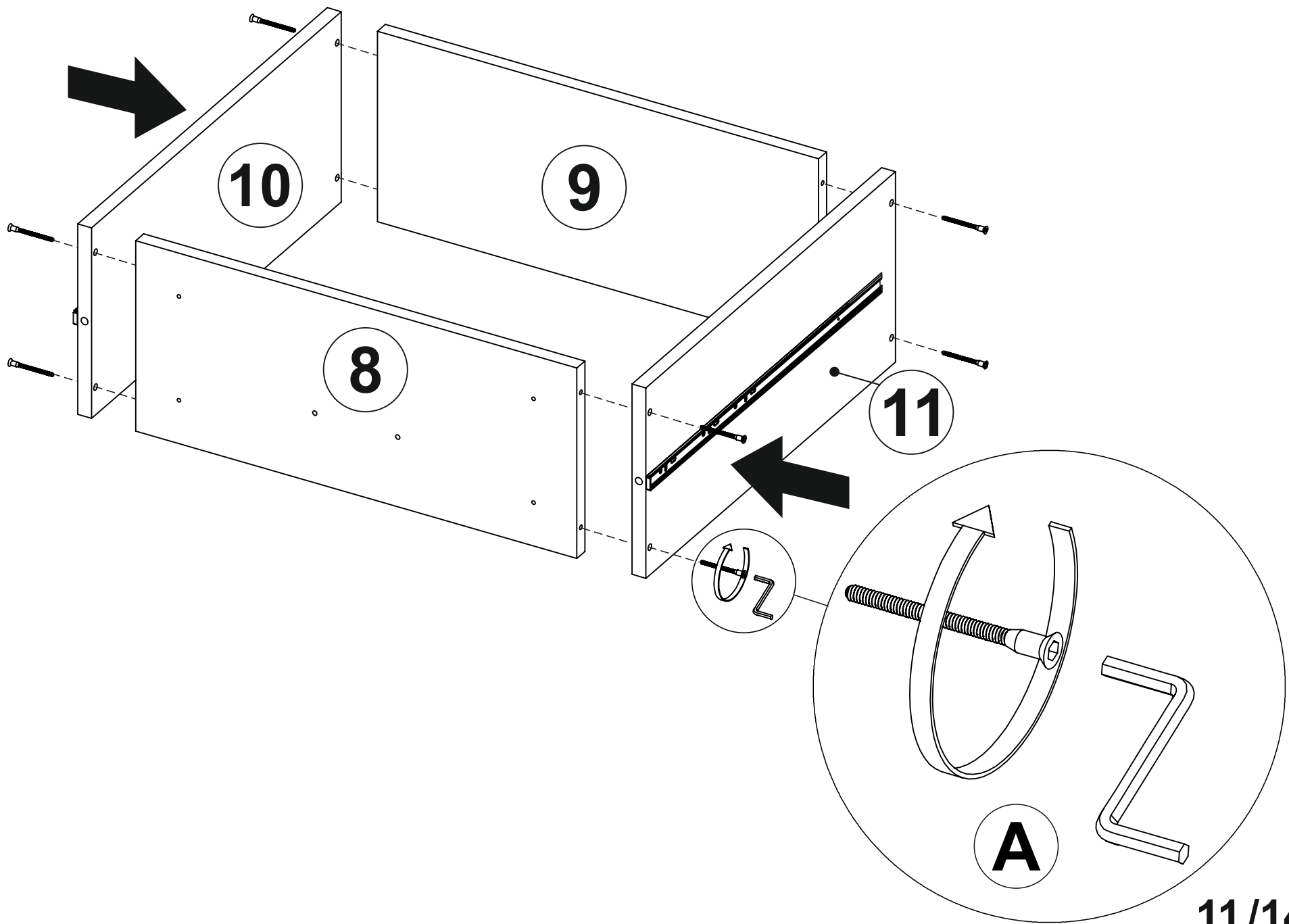
I

7

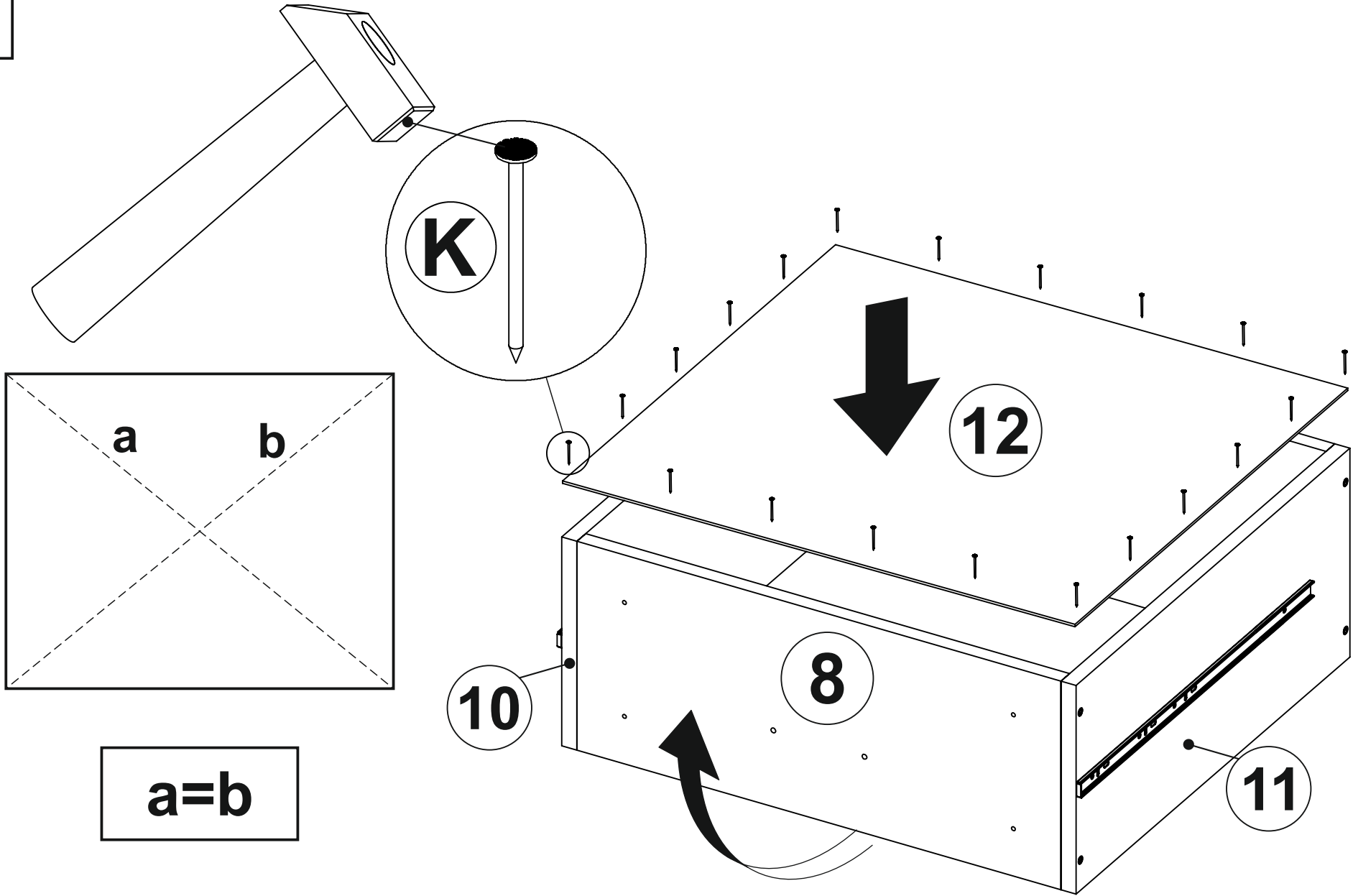
∅ 5mm



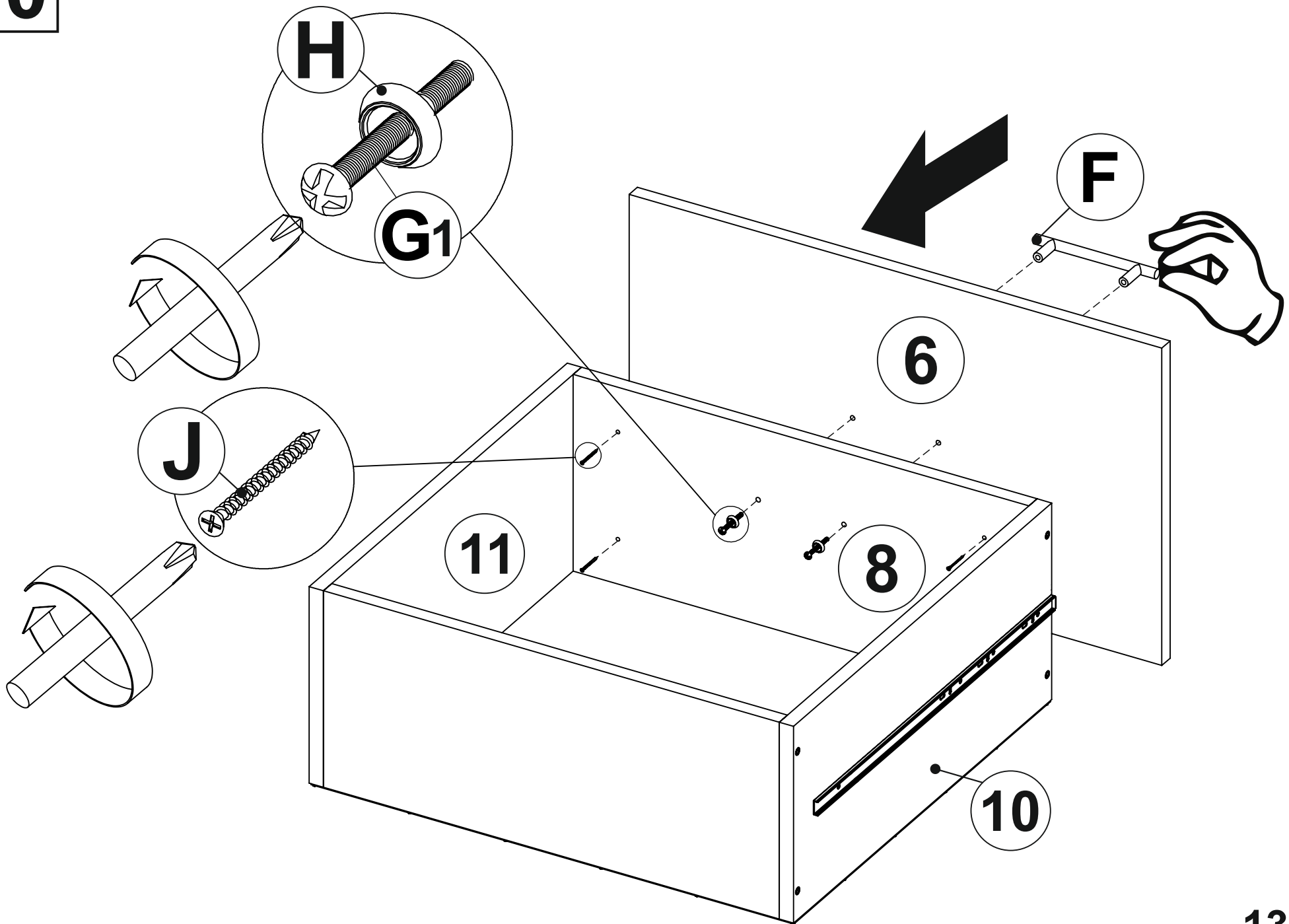
8



9



10



11

