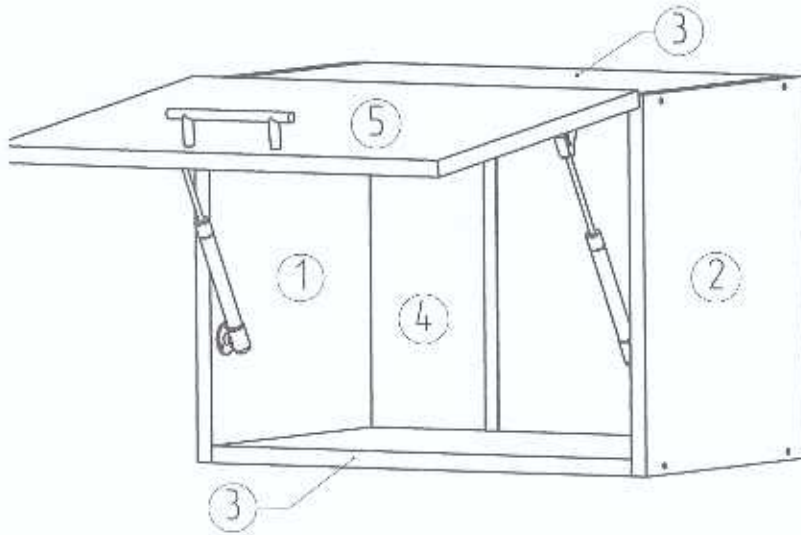














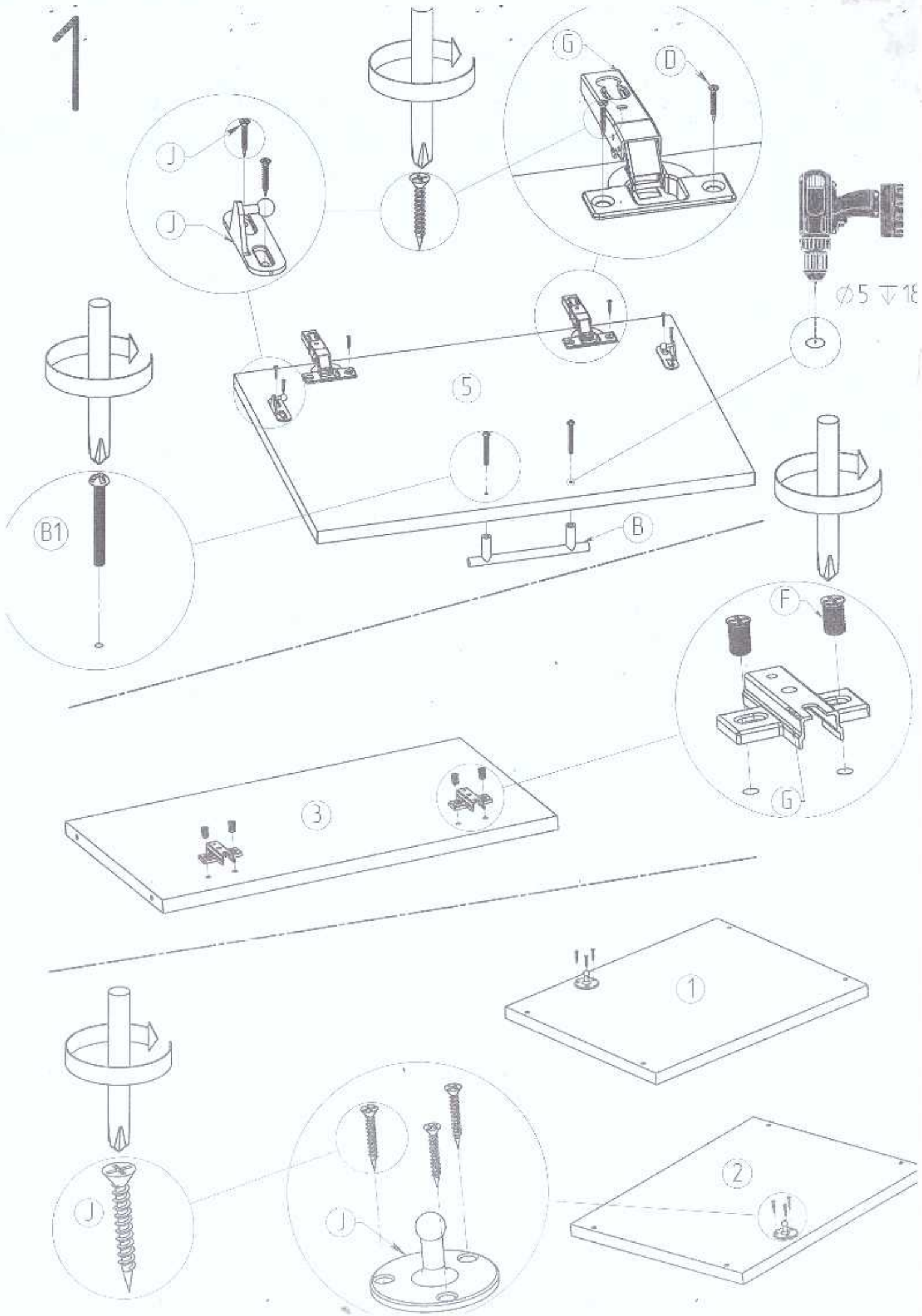
Wall Units



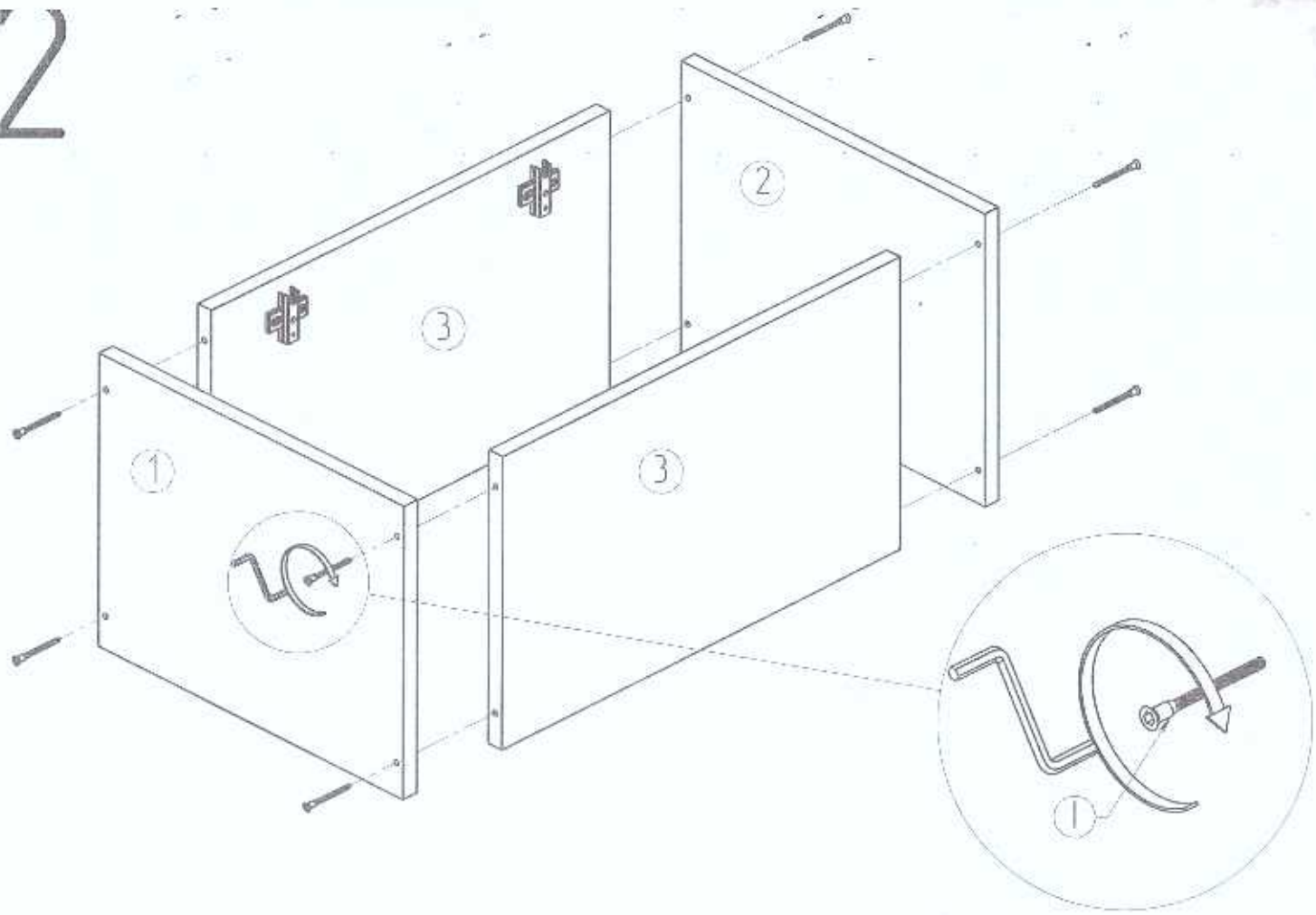
| | | | |
|--|--|--|--|
|  x2 |  x1 | | |
|  x10 3,5*16 |  x4 4,0*16 | | |
|  x8 4,0*30 |  x4 |  x2 |  x15 |
|  x8 |  x8 |  x2 |  x2 |

| | B 50/36 | B 60/36 | B 70/36 | B 80/36 | x |
|---|-------------|-------------|-------------|-------------|---|
| ① | 358x280x16 | 358x280x16 | 358x280x16 | 358x280x16 | 1 |
| ② | 358x280x16 | 358x280x16 | 358x280x16 | 358x280x16 | 1 |
| ③ | 468x280x16 | 568x280x16 | 668x280x16 | 768x280x16 | 2 |
| ④ | 356x148x2,5 | - | 356x198x2,5 | - | 2 |
| | 356x198x2,5 | - | - | - | 1 |
| | - | 356x198x2,5 | - | - | 3 |
| | - | - | 356x148x2,5 | - | 2 |
| | - | - | - | 356x198x2,5 | 4 |
| ⑤ | 355x496x16 | 355x596x16 | 355x696x16 | 355x796x16 | 1 |

1

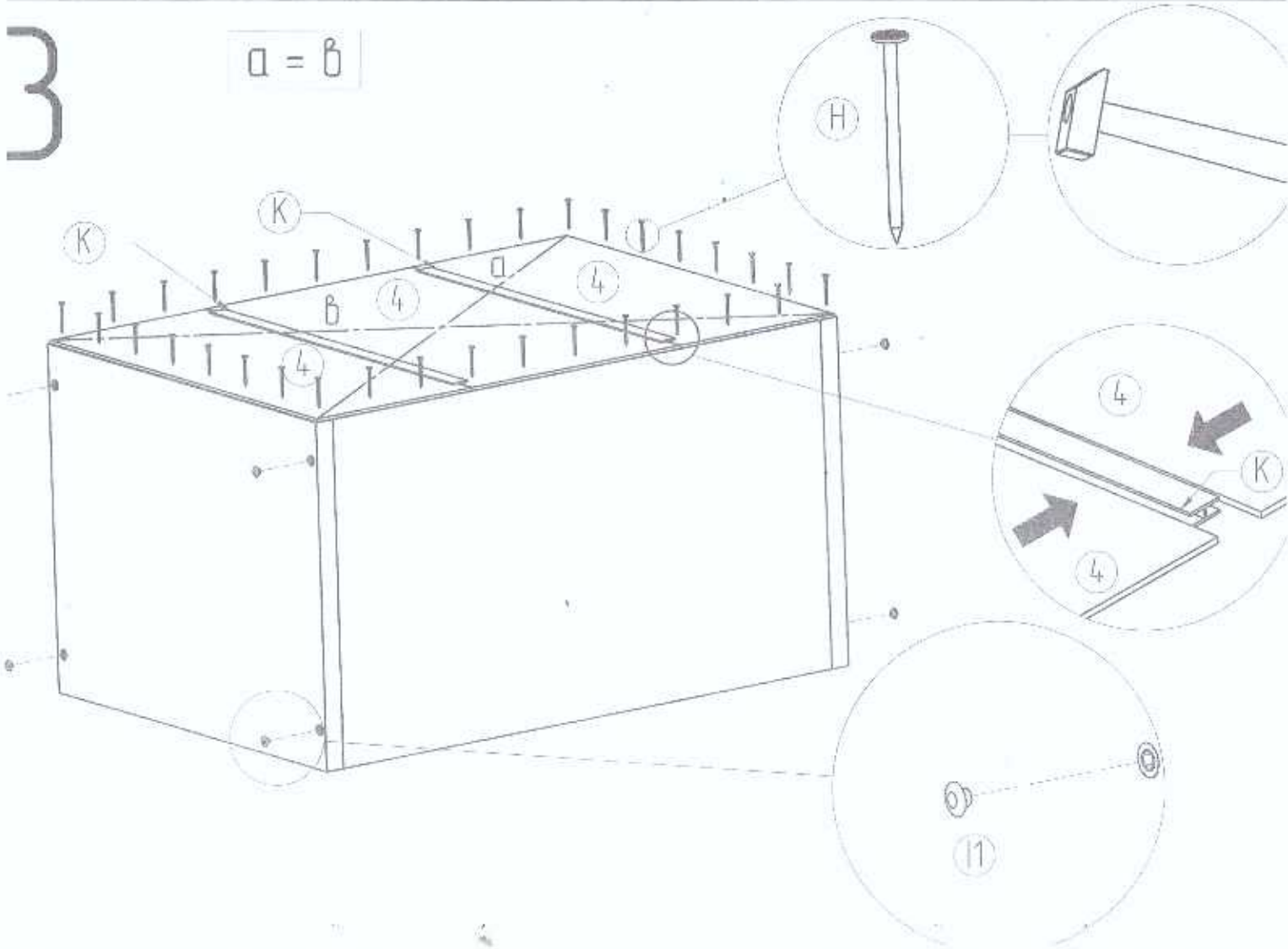


2

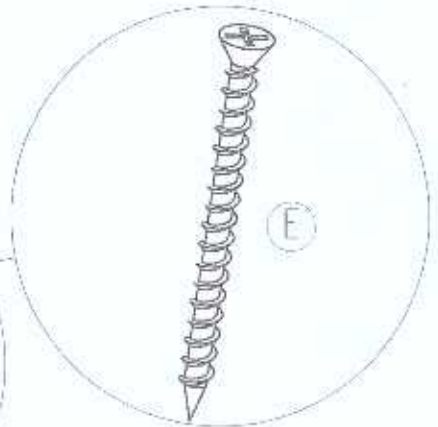
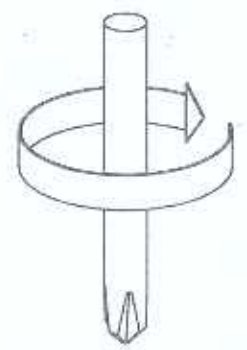
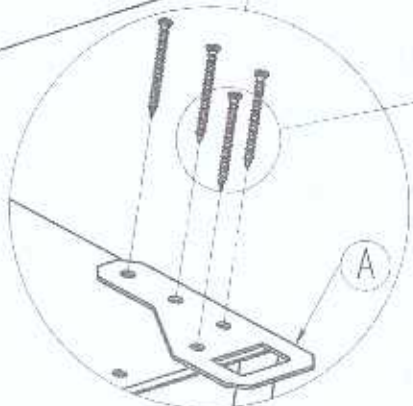
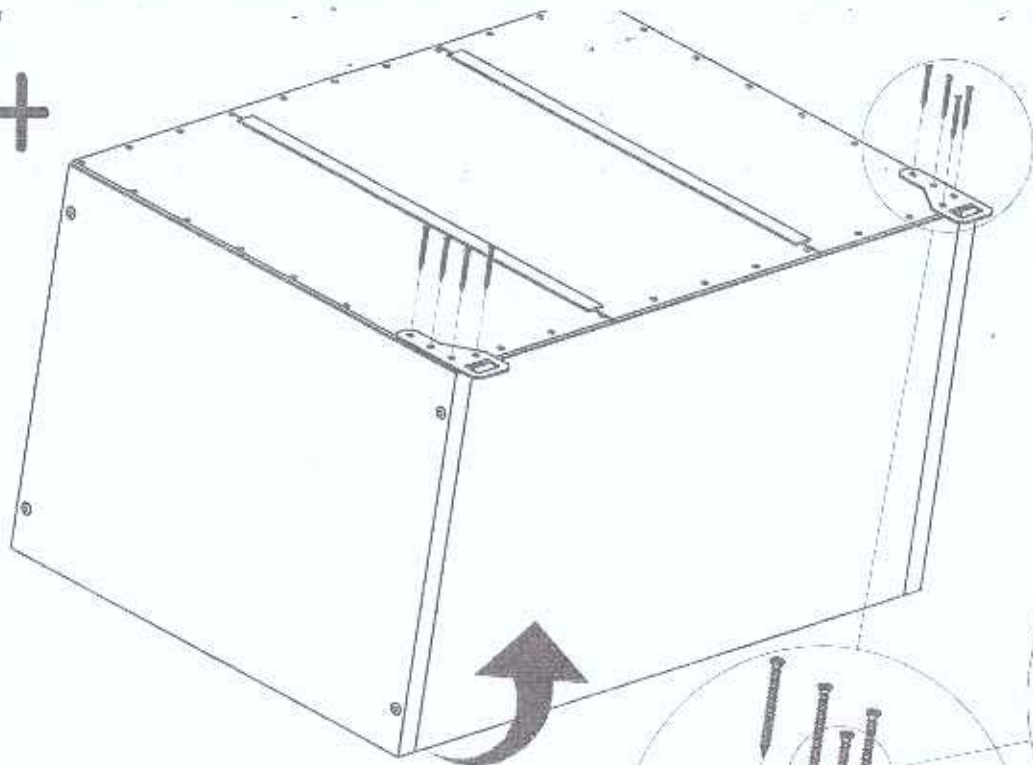


3

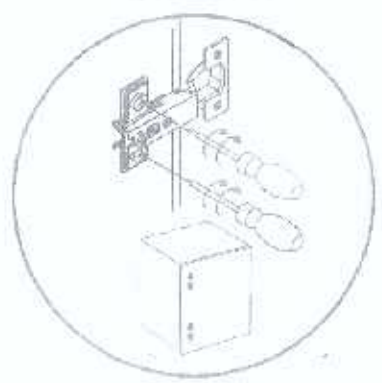
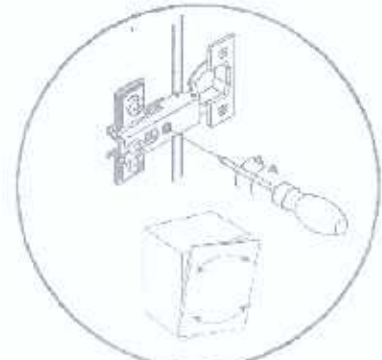
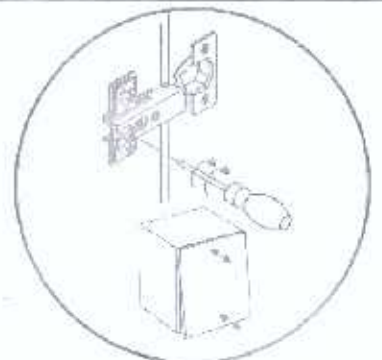
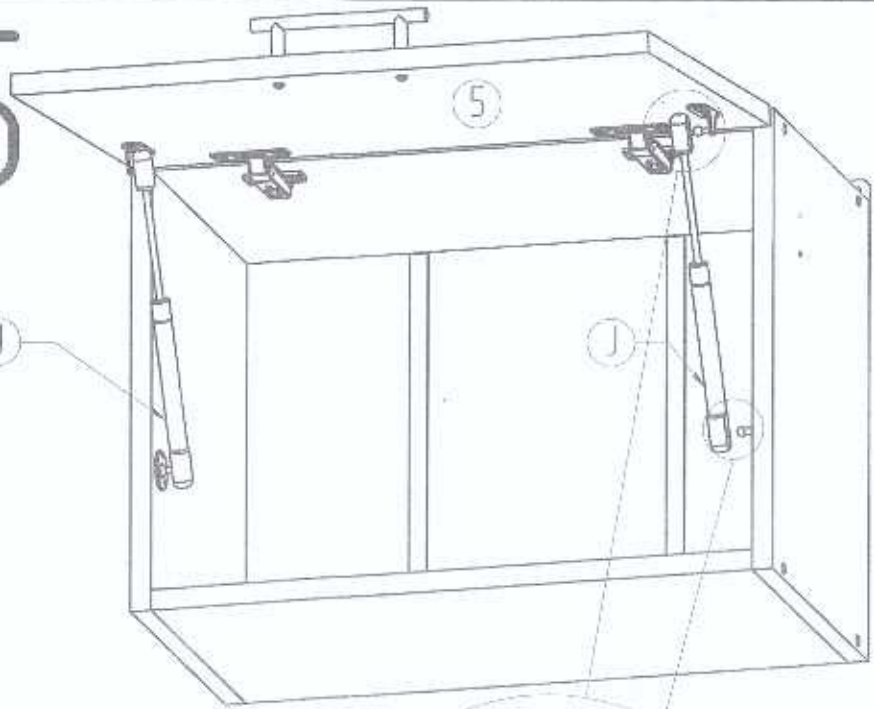
$a = b$



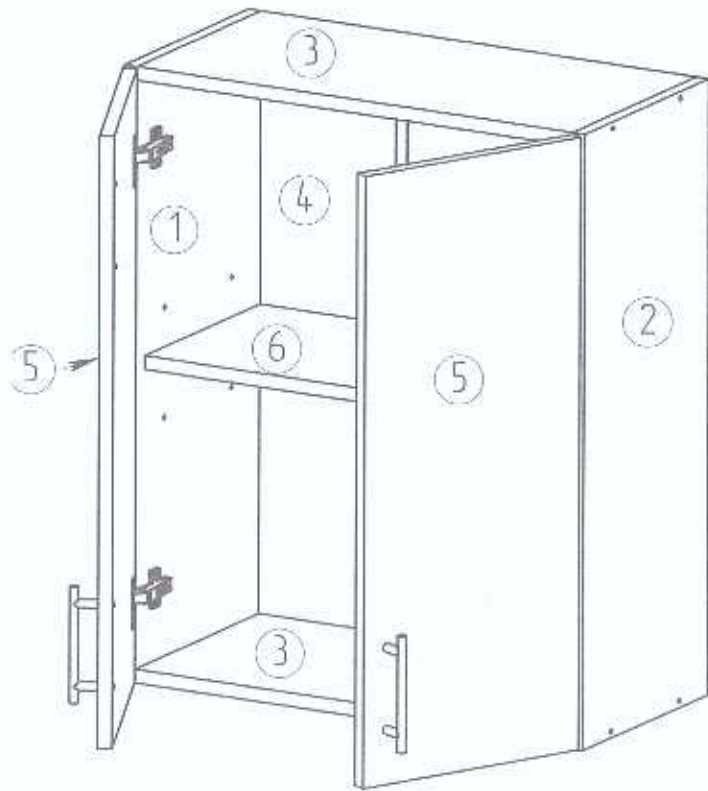
4



5

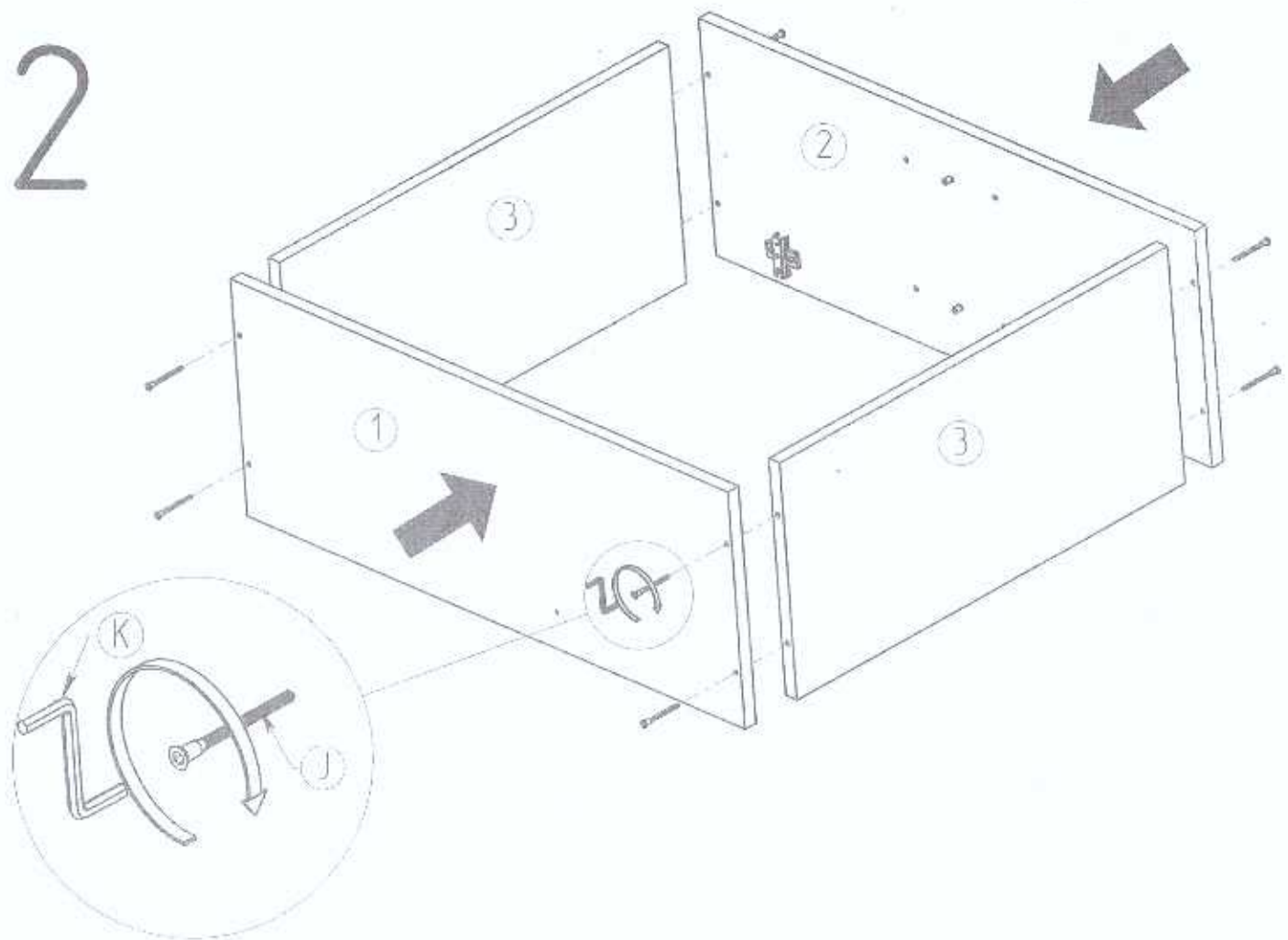
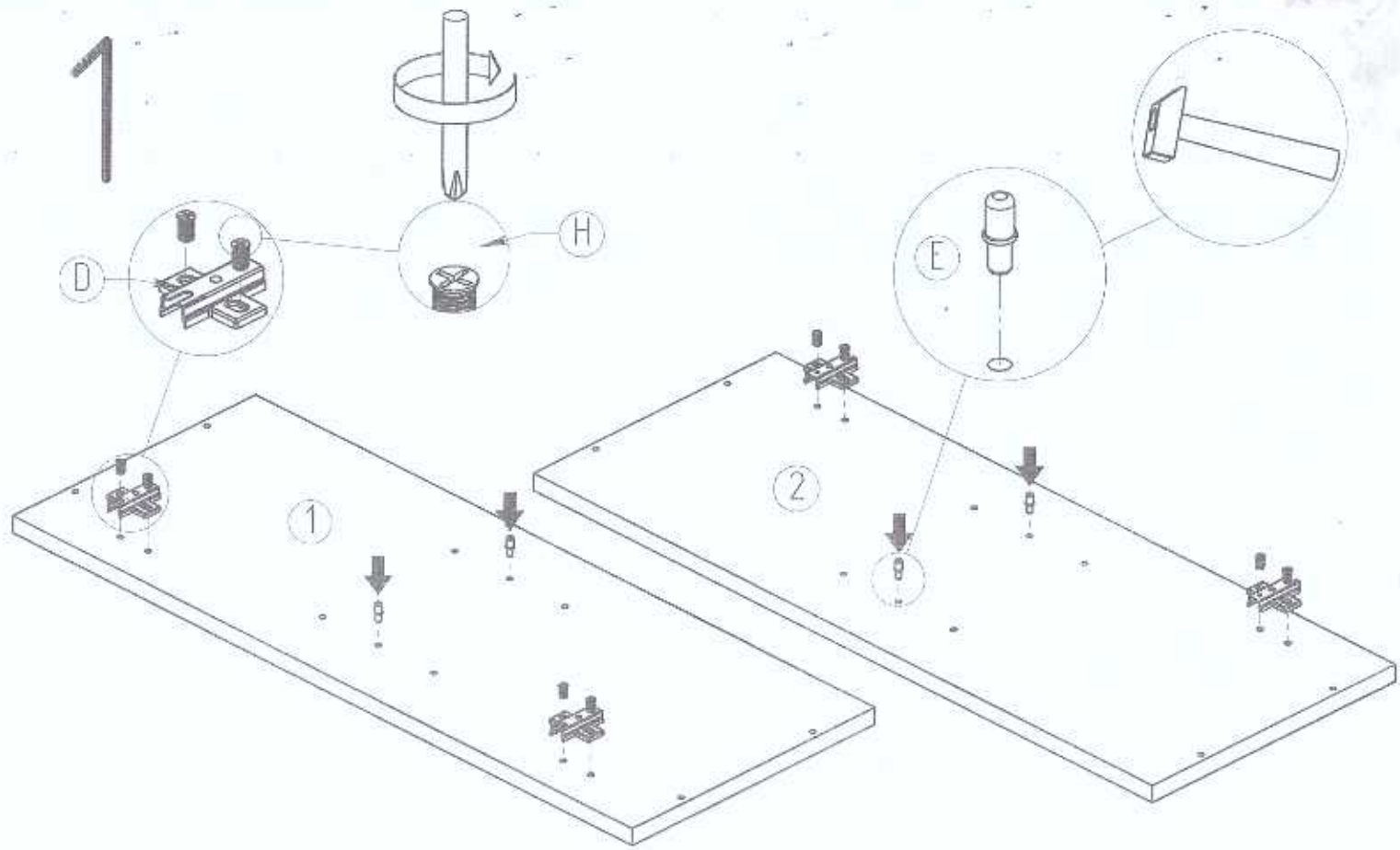


Wall Units 72



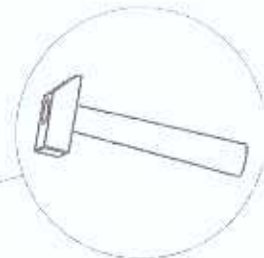
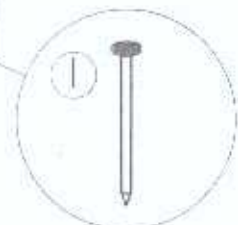
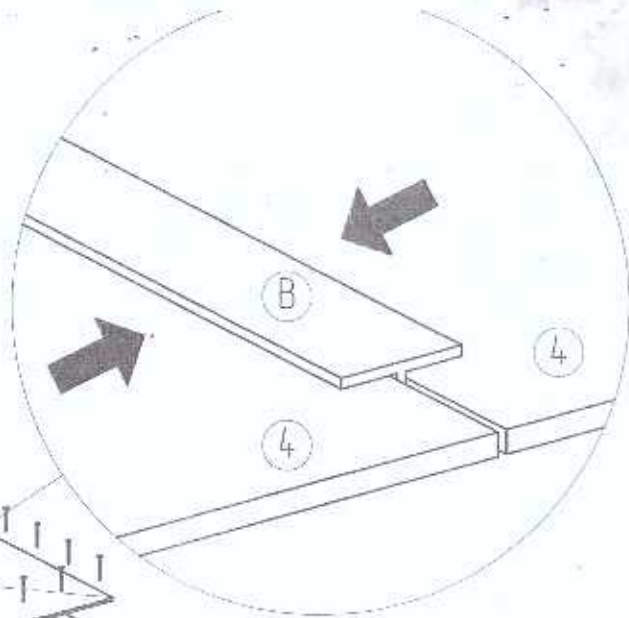
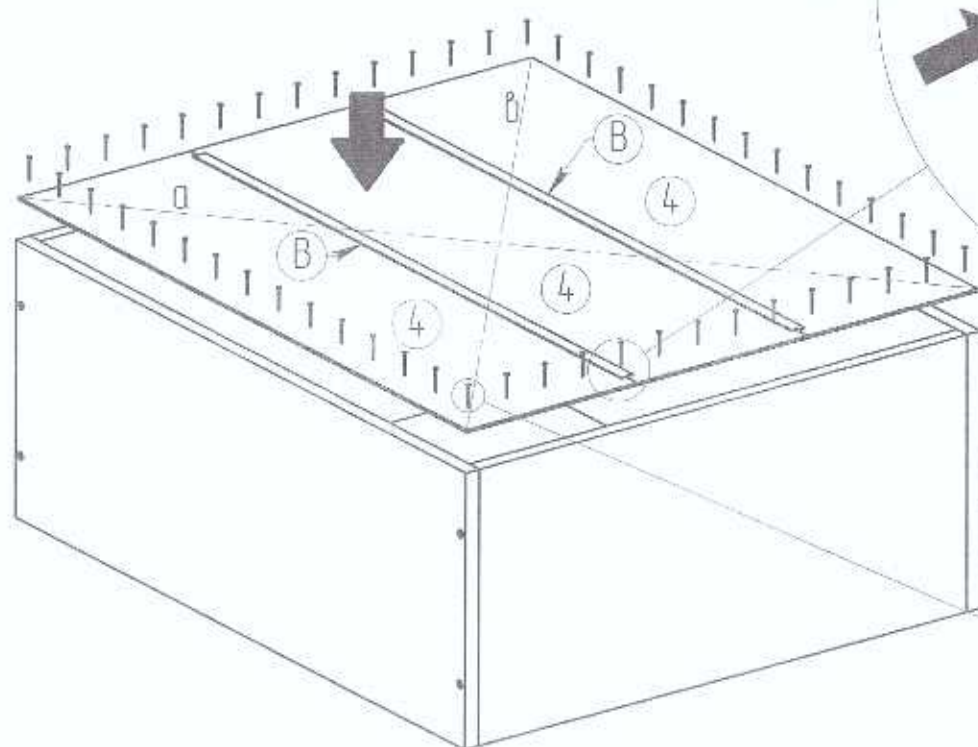
| | | |
|-------------------------|-------------------------|-------------------------|
| (A) x2 | (B) x | (C) x2 |
| (D) x4 | (E) x4 | (F) x8 4,0*16 |
| (G) x8 4,0*30 | (H) x8 6,3*13 | (I) x15 |
| (J) x8 | (J1) x8 | (K) x1 |

| | B 60/72 | x | B 70/72 | x | B 80/72 | x |
|-----|----------------|----------|----------------|----------|----------------|----------|
| (1) | 717x280x16 | 1 | 717x280x16 | 1 | 717x280x16 | 1 |
| (2) | 717x280x16 | 1 | 717x280x16 | 1 | 717x280x16 | 1 |
| (3) | 568x280x16 | 2 | 668x280x16 | 2 | 768x280x16 | 2 |
| (4) | 714x198x2,5 | 3 | 714x198x2,5 | 2 | 714x198x2,5 | 4 |
| | - | - | 714x148x2,5 | 2 | - | - |
| (5) | 713x296x16 | 2 | 713x346x16 | 2 | 713x396x16 | 2 |
| (6) | 566x260x16 | 1 | 666x260x16 | 1 | 766x260x16 | 1 |

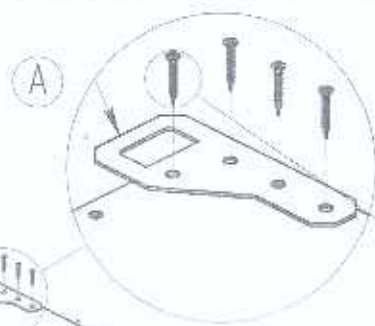
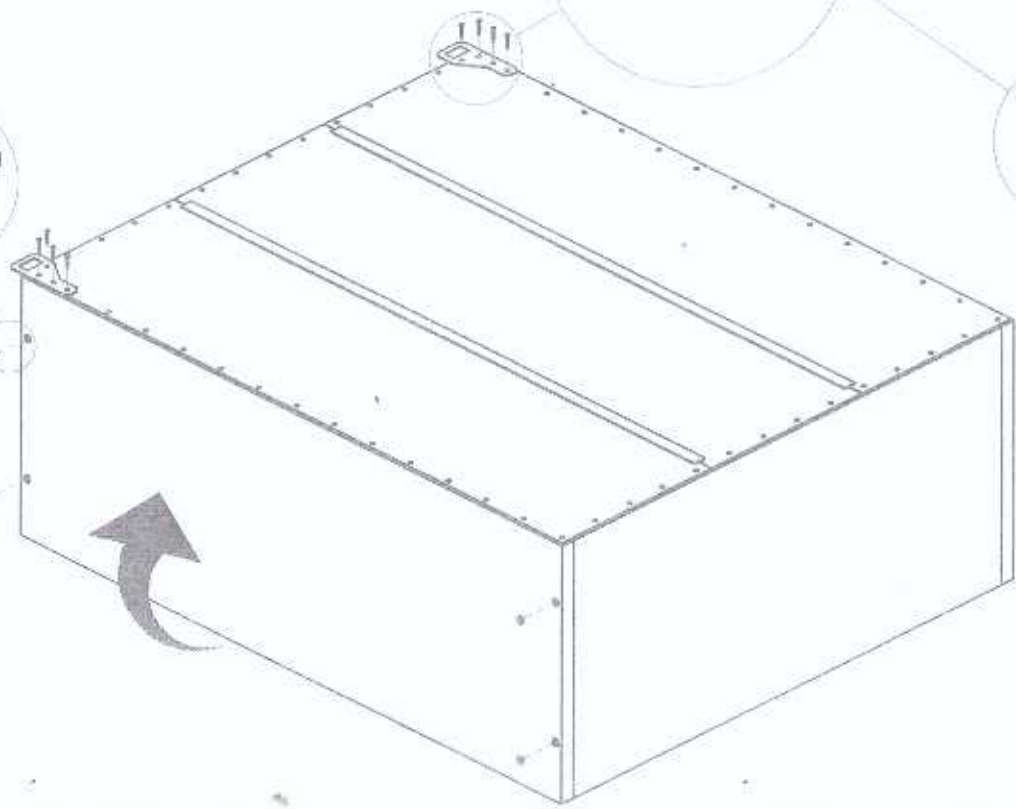
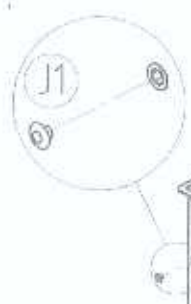


3

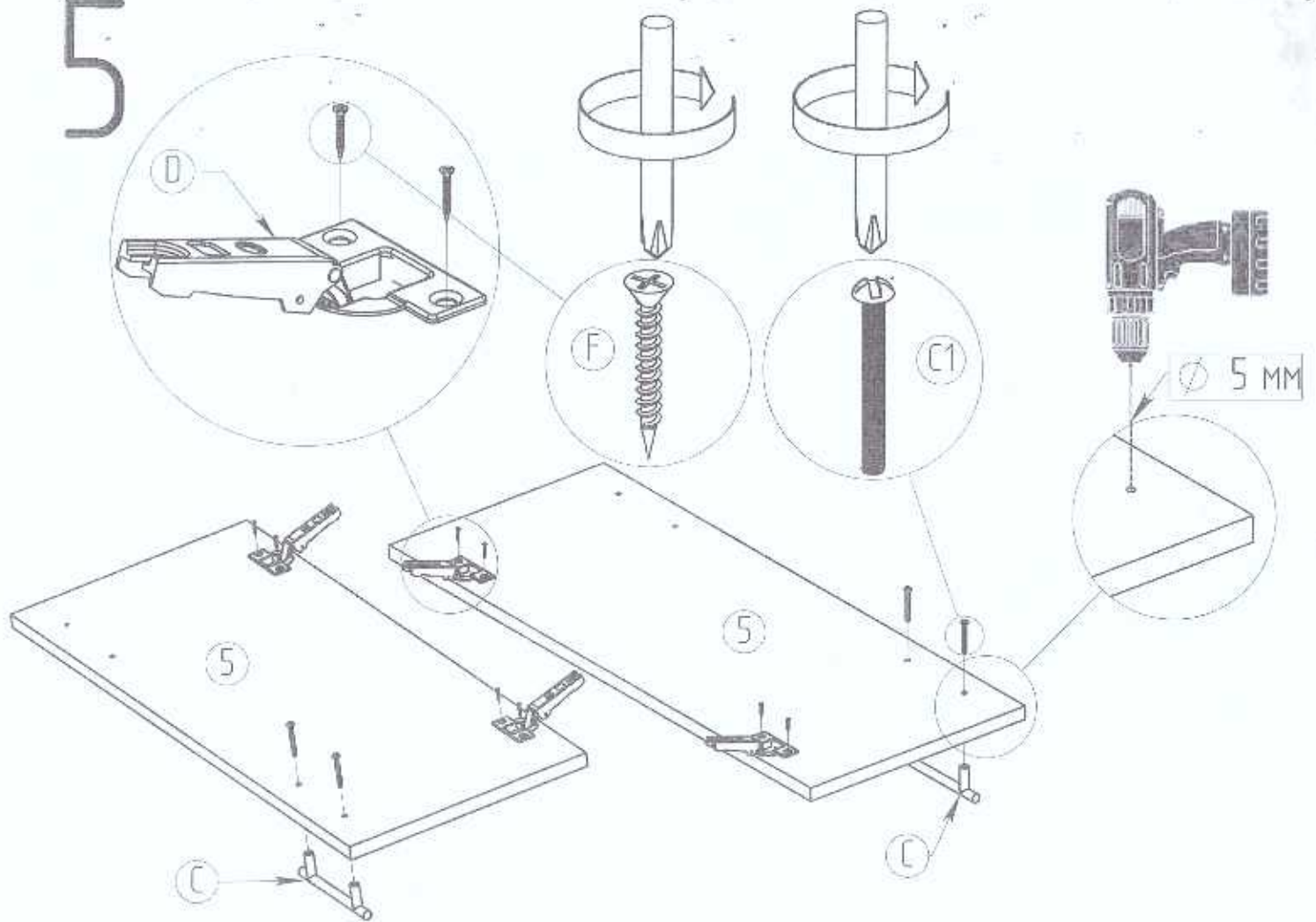
$a = b$



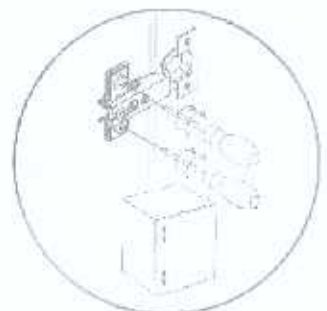
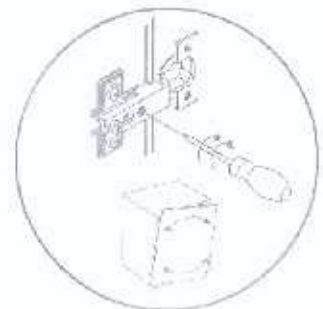
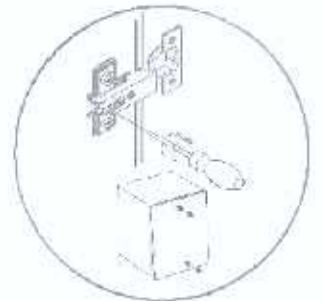
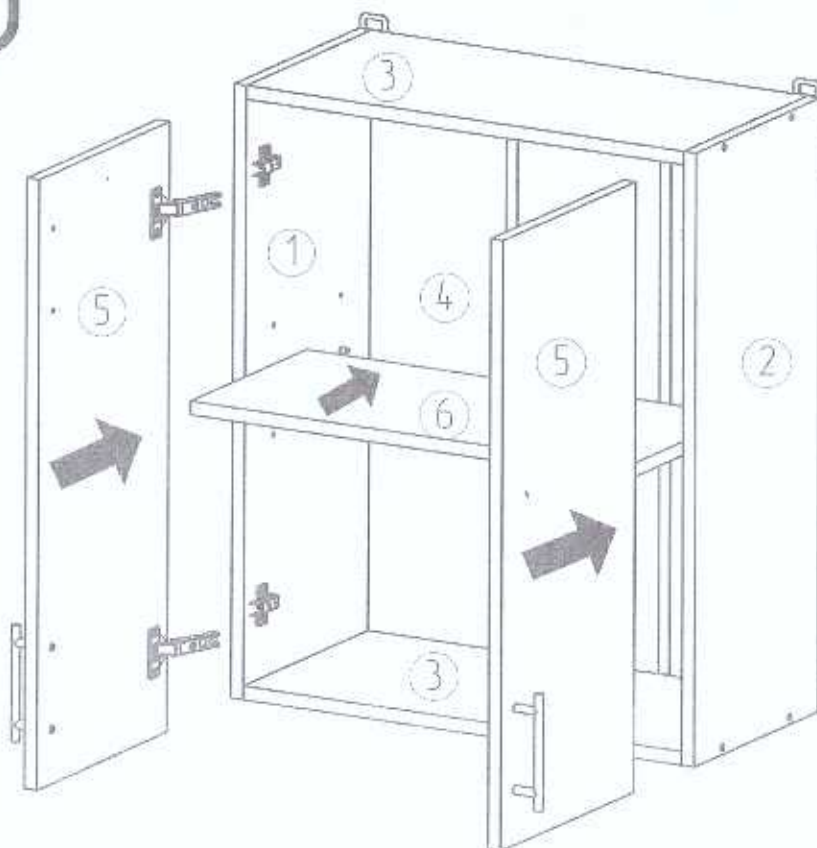
4



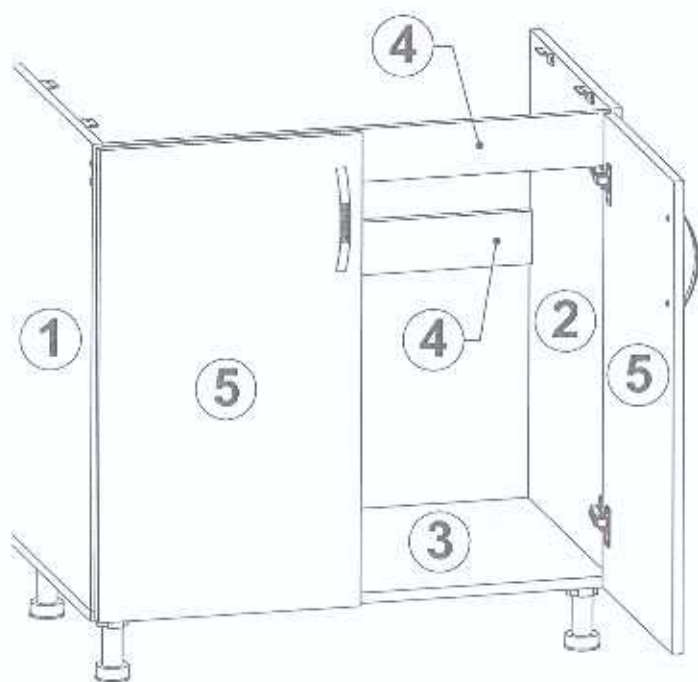
5











6



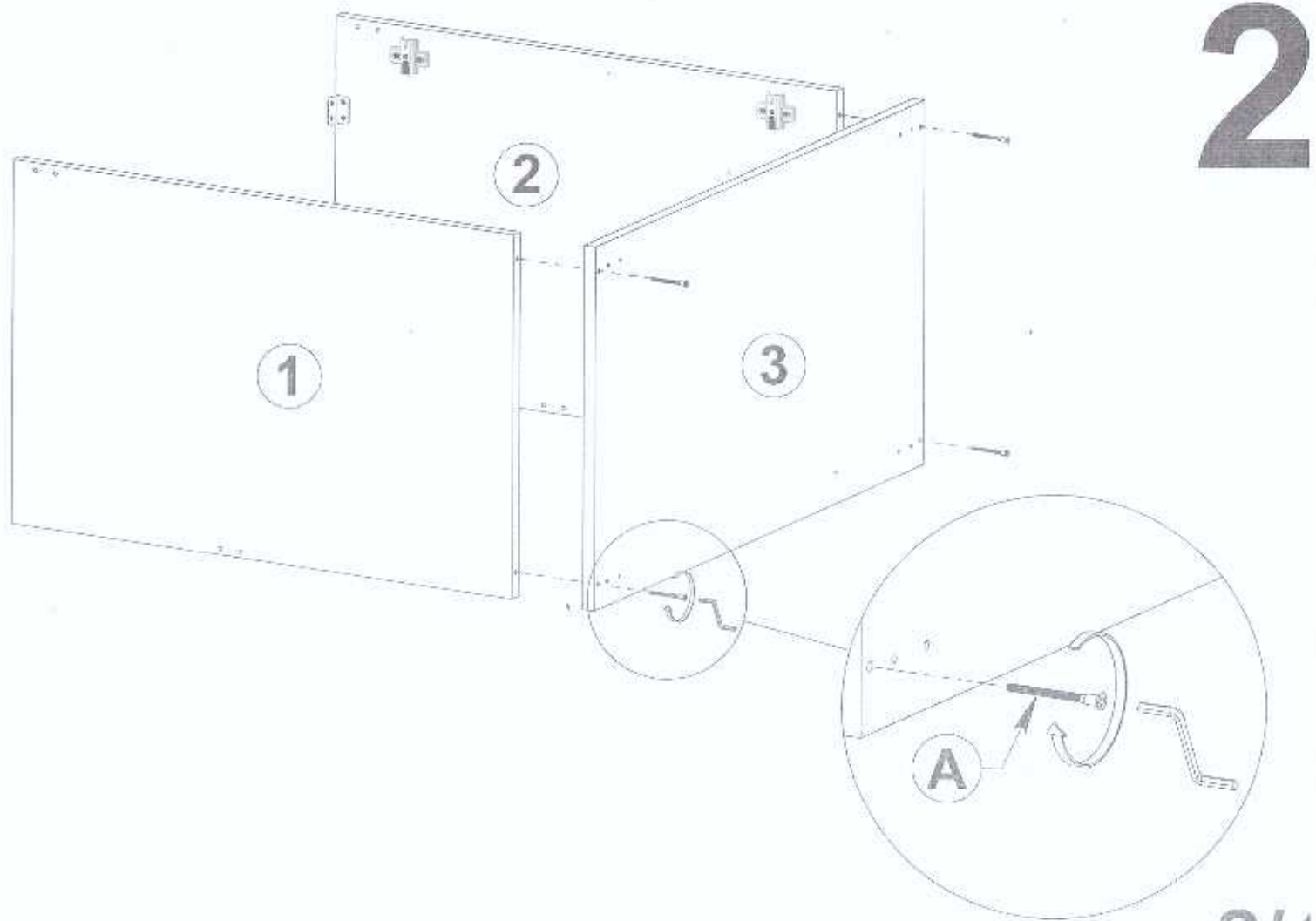
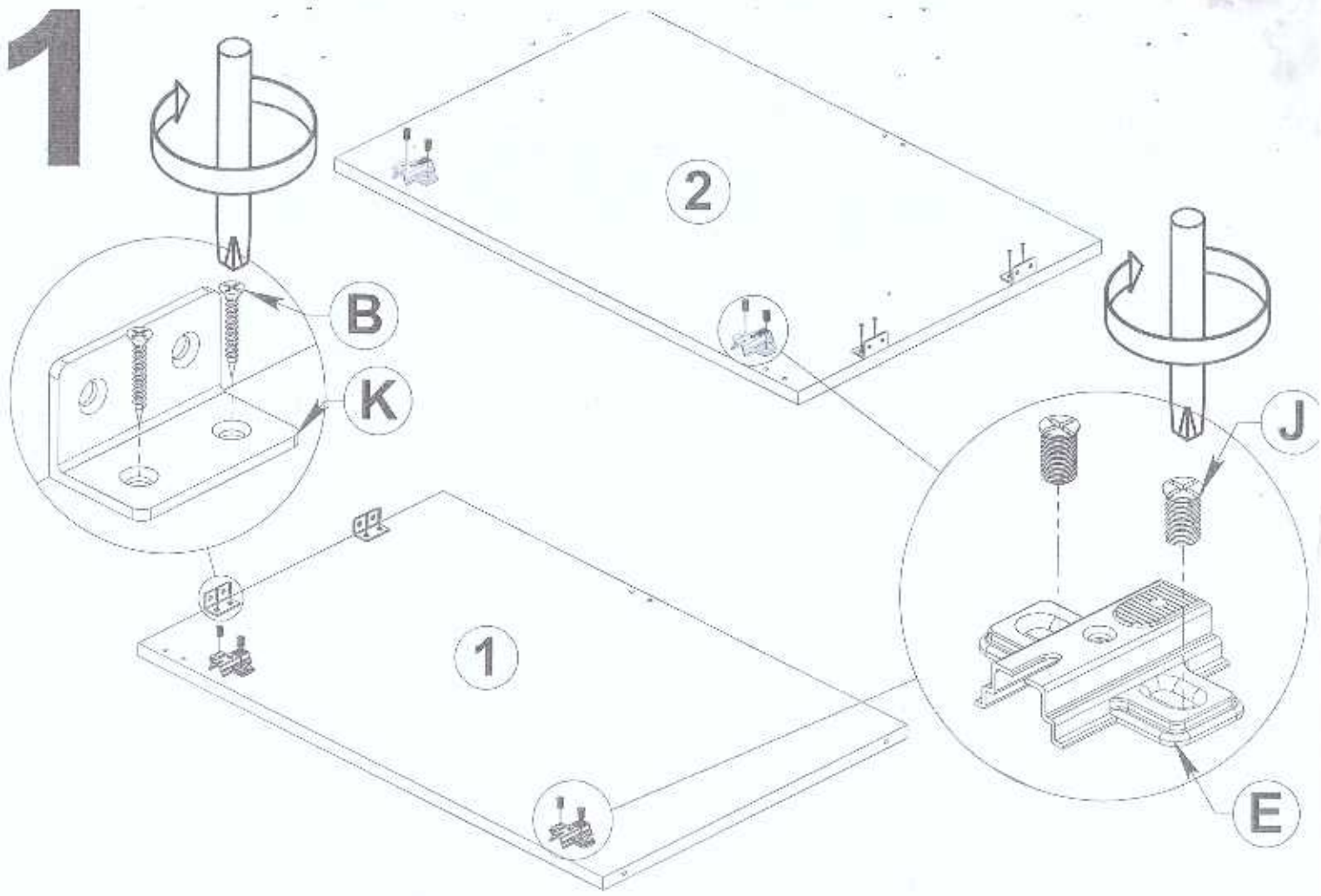
LOW Units

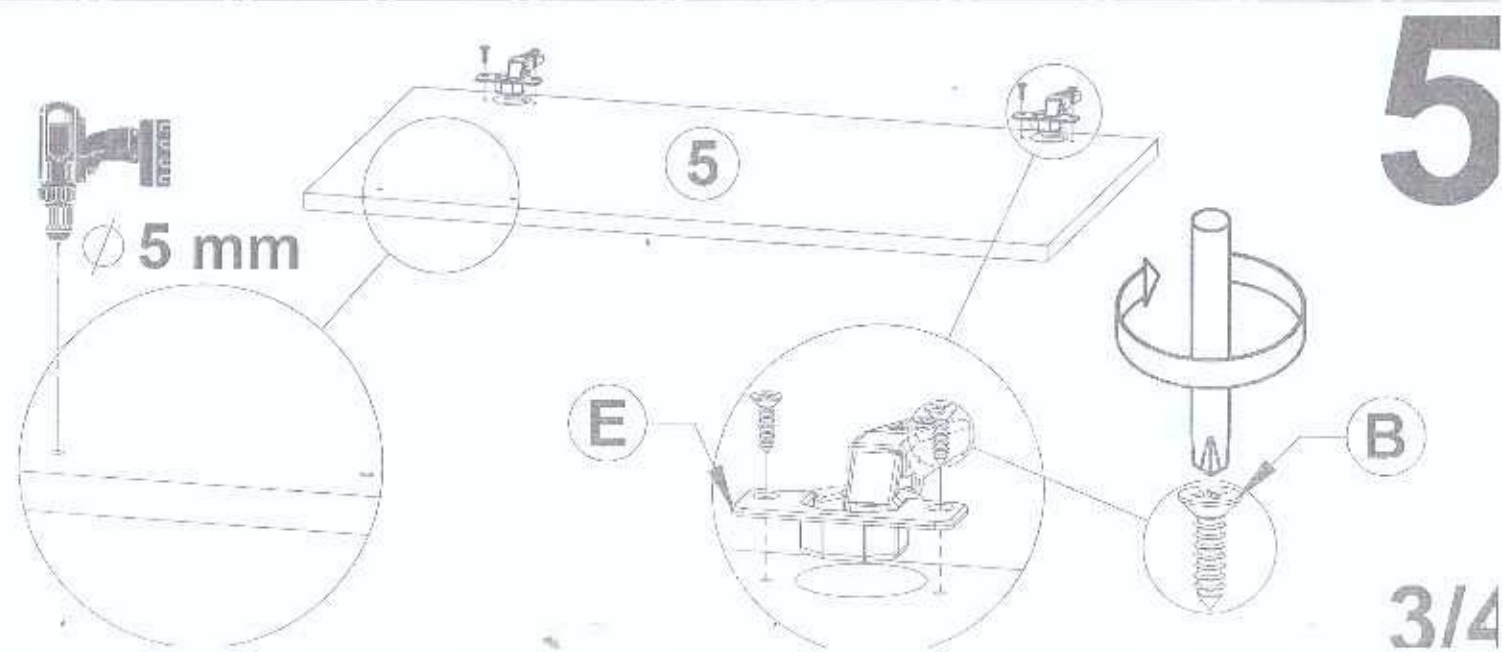
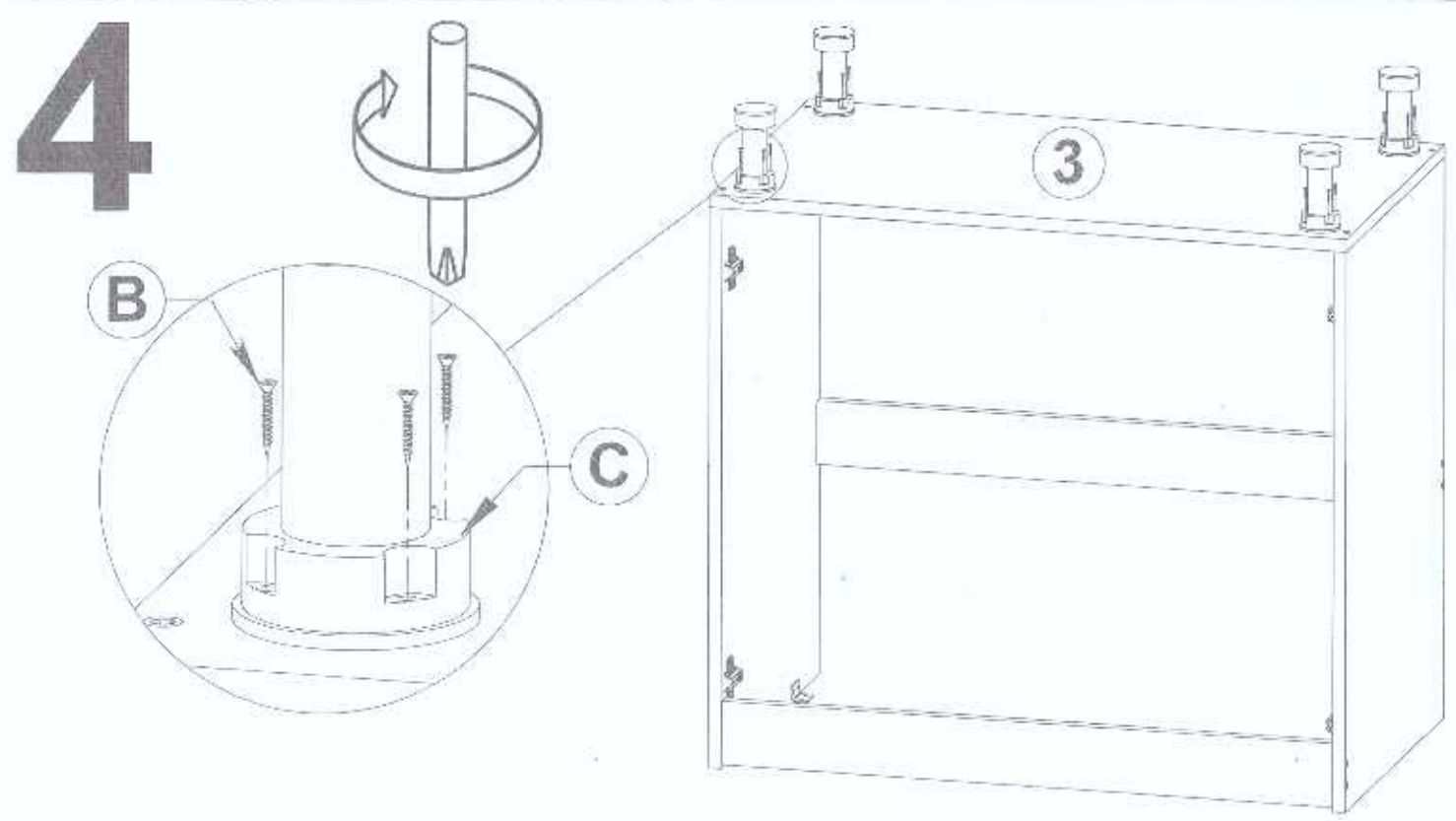
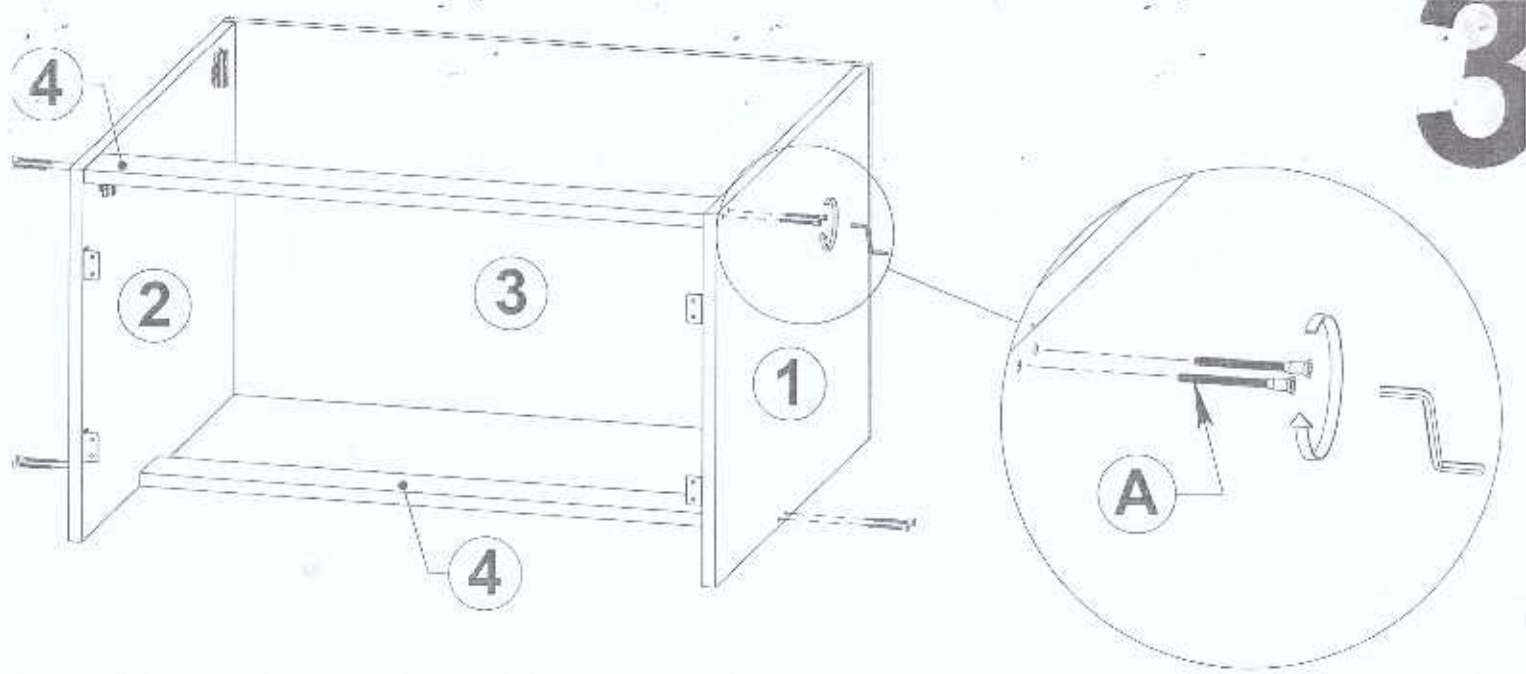


| | | |
|--|---|--|
| A  x12 | B  x44 | C  x4 |
| D  x2 | E  x4 | F  x4 |
| J  x8 | K  x4 | |

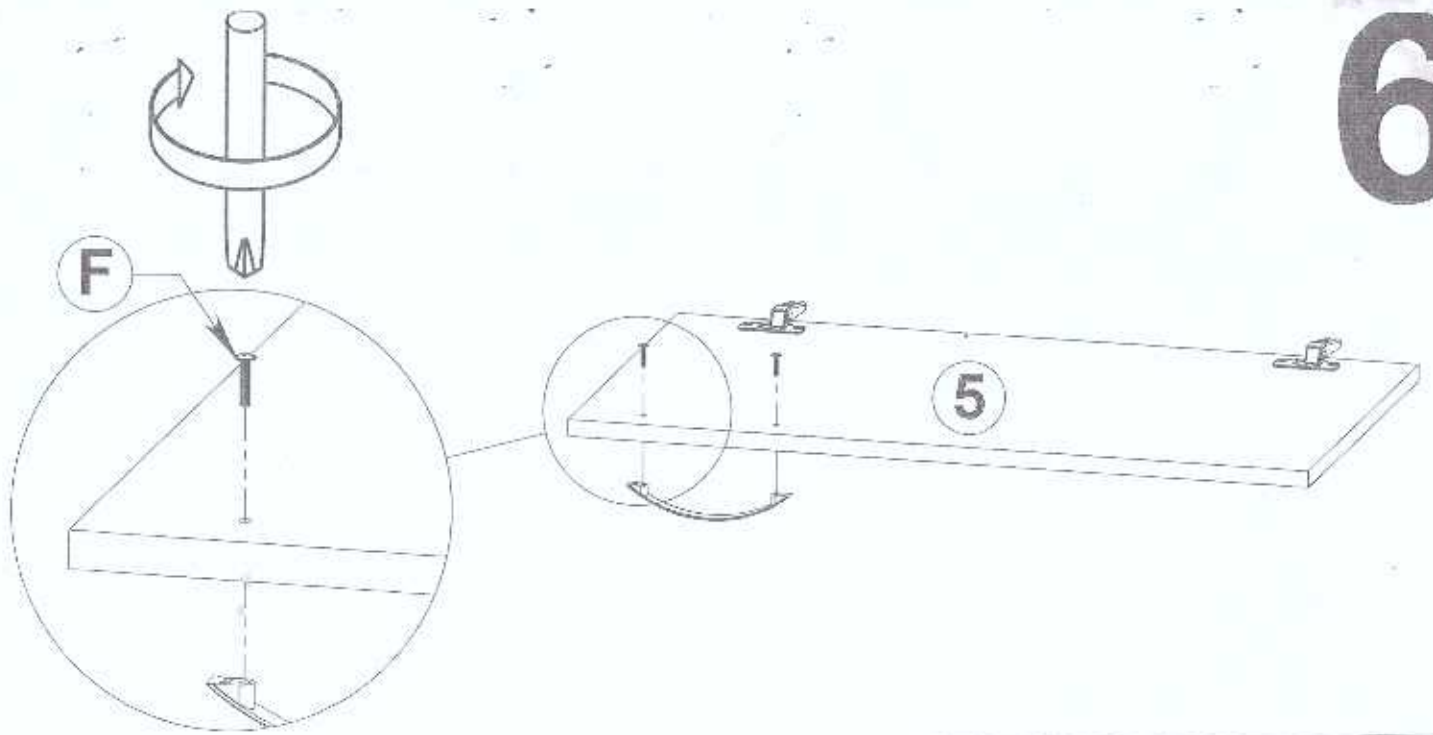
| No | 60/82 | 70/82 | 80/82 | X |
|----|---------|---------|---------|---|
| ① | 704x460 | 704x460 | 704x460 | 1 |
| ② | 704x460 | 704x460 | 704x460 | 1 |
| ③ | 600x460 | 700x460 | 800x460 | 1 |
| ④ | 568x80 | 668x80 | 768x80 | 2 |
| ⑤ | 713x296 | 713x346 | 713x396 | 2 |

G40-KT-033-A

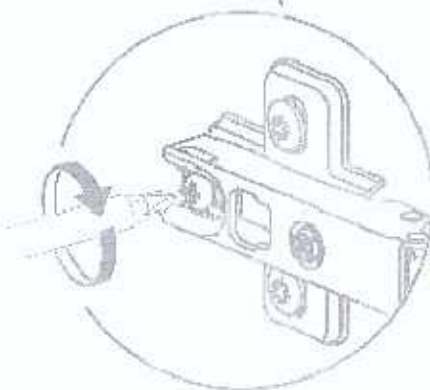
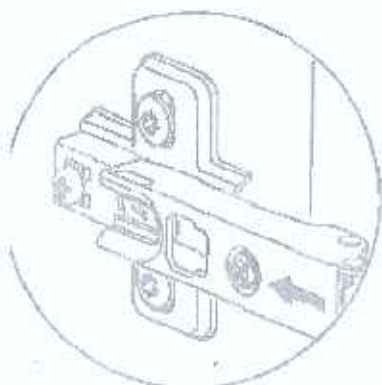
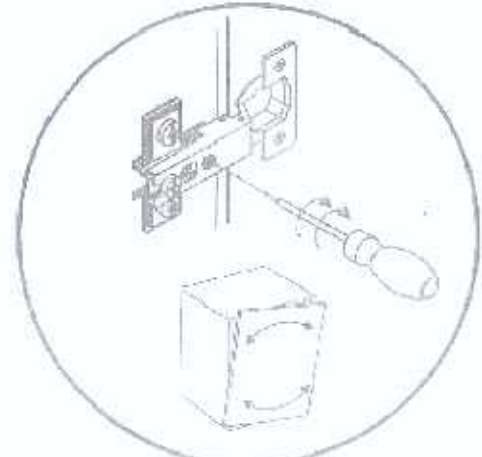
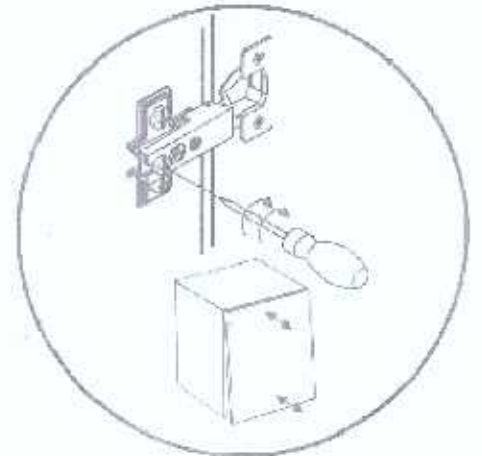
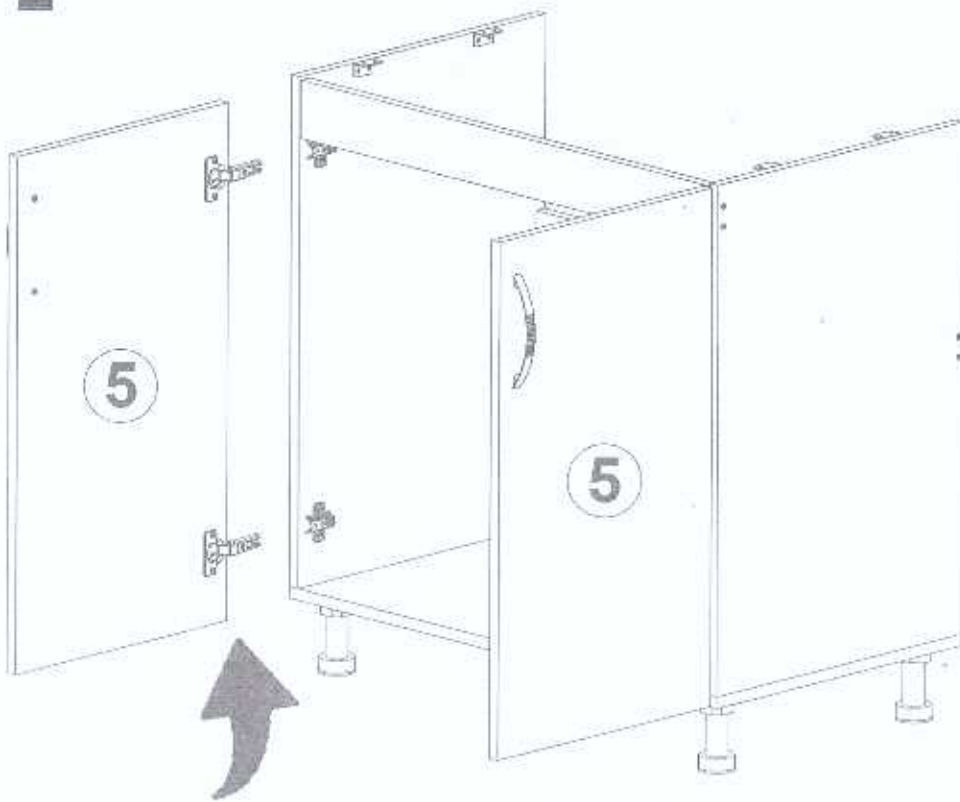




6



7



4/4