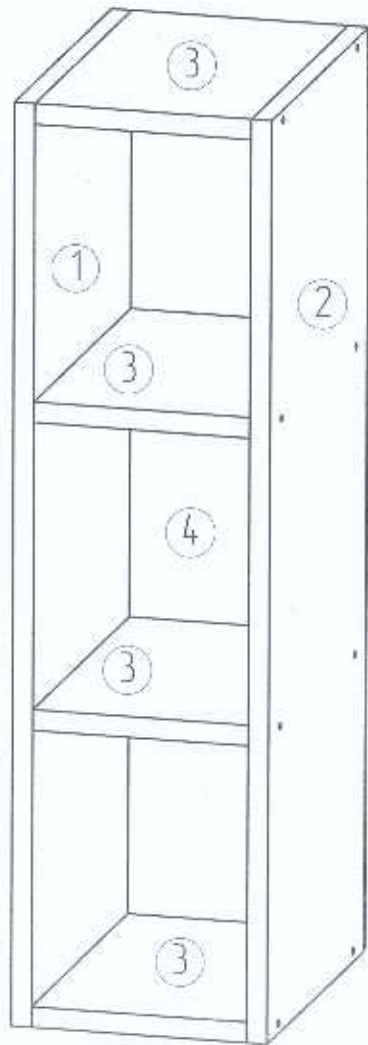








Wall Unit 72



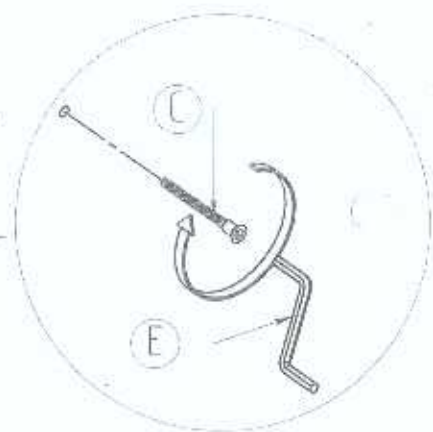
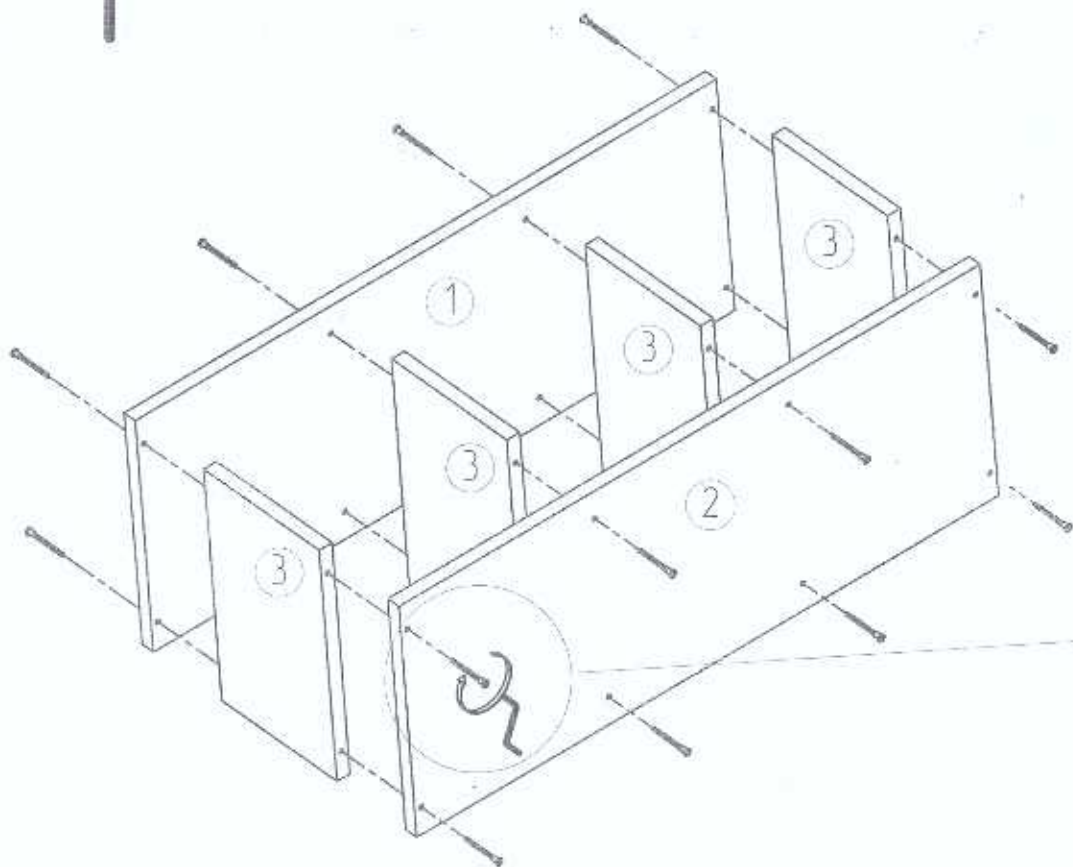
<p>(A)</p>  <p>x2</p>	<p>(B)</p>  <p>x8 4,0*30</p>
<p>(C)</p>  <p>x16</p>	<p>(C1)</p>  <p>x16</p>
<p>(D)</p>  <p>x20</p>	<p>(E)</p>  <p>x1</p>

B20/72

X

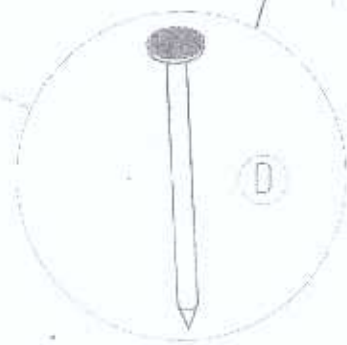
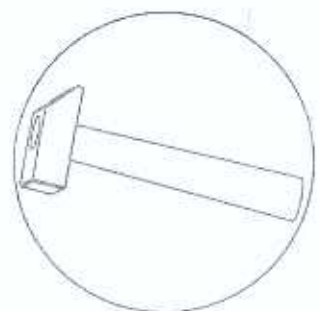
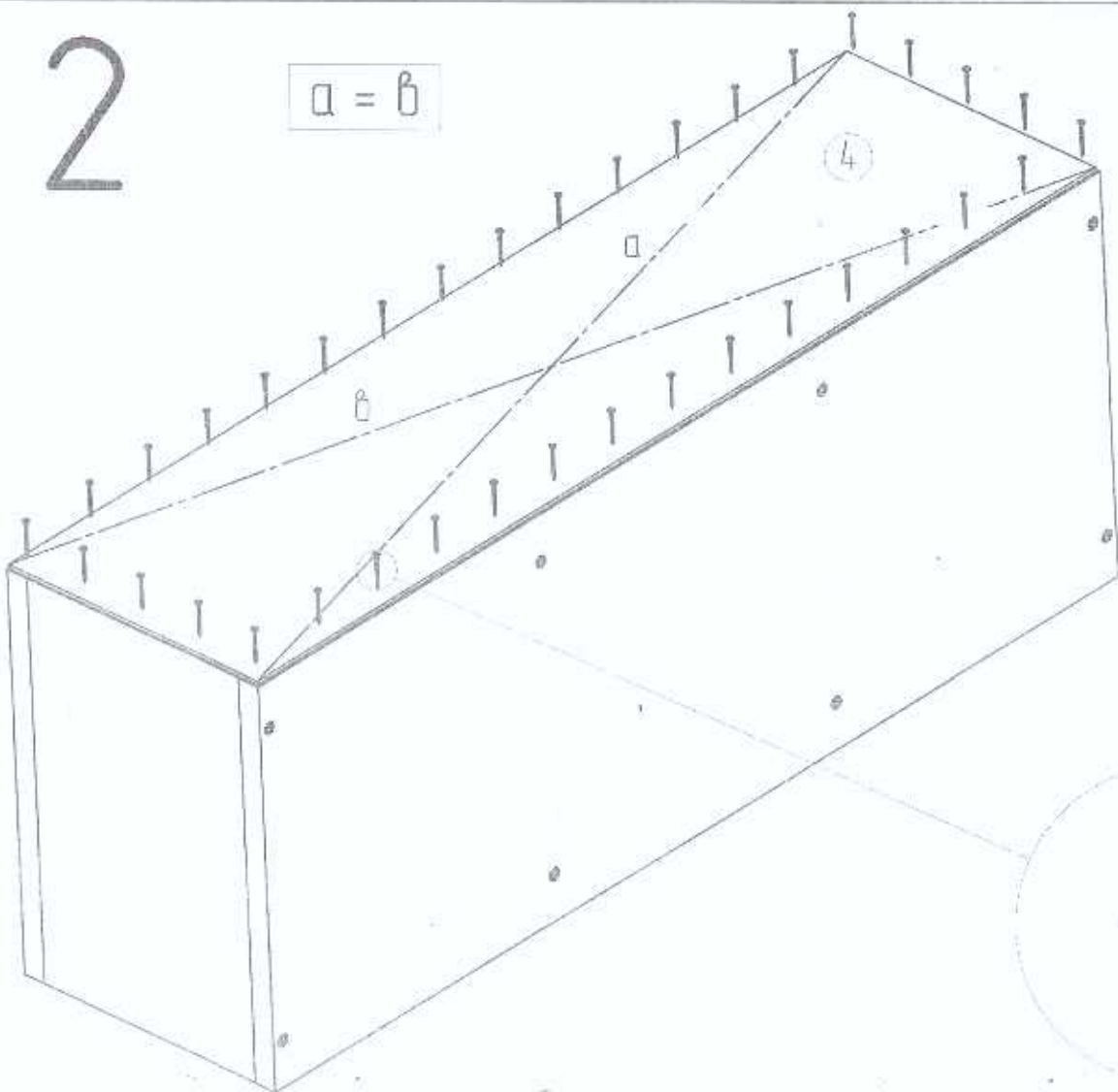
<p>(1)</p>	<p>717x280x16</p>	<p>1</p>
<p>(2)</p>	<p>717x280x16</p>	<p>1</p>
<p>(3)</p>	<p>168x280x16</p>	<p>4</p>
<p>(4)</p>	<p>714x198x2,5</p>	<p>1</p>

1

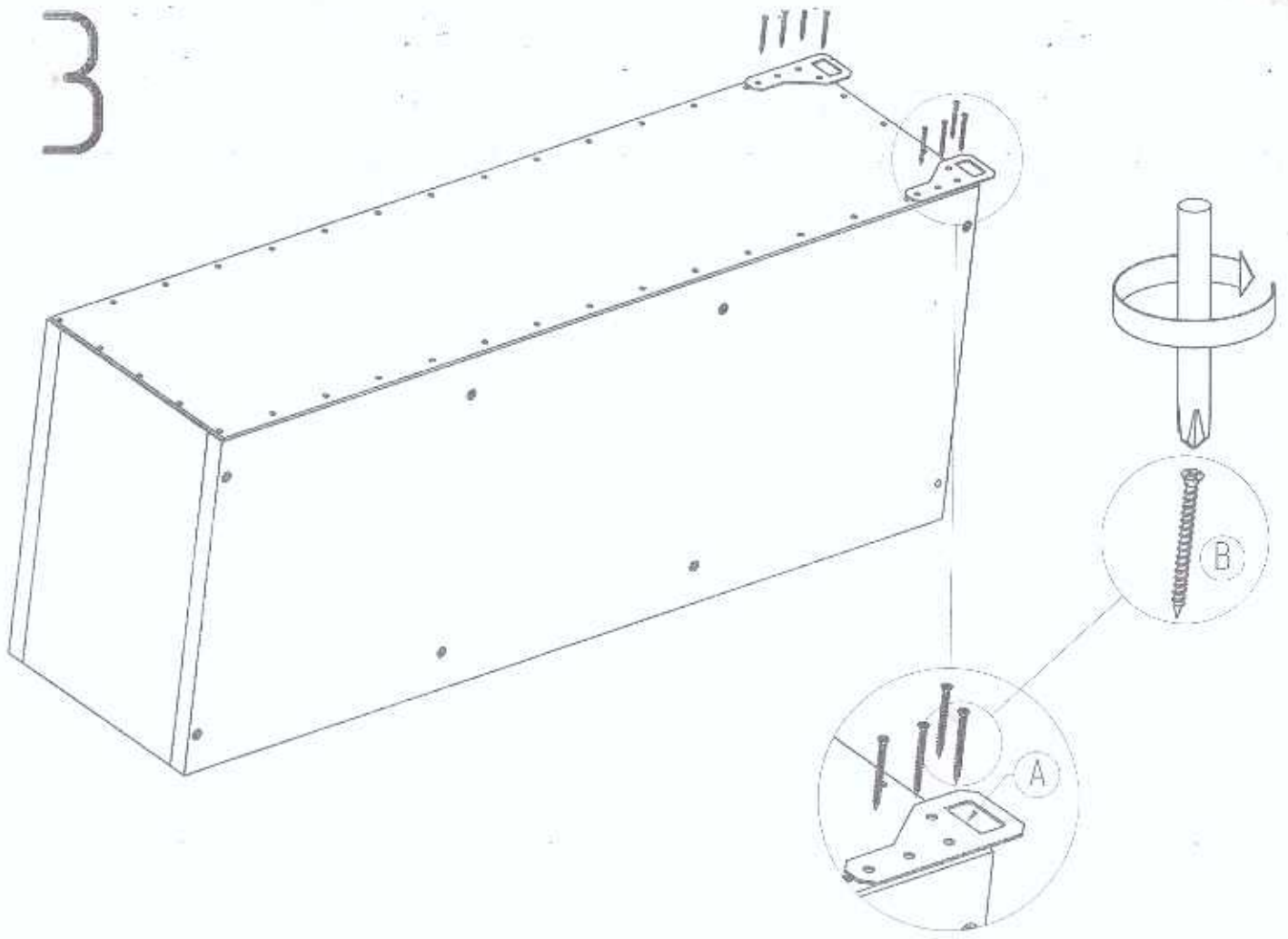


2

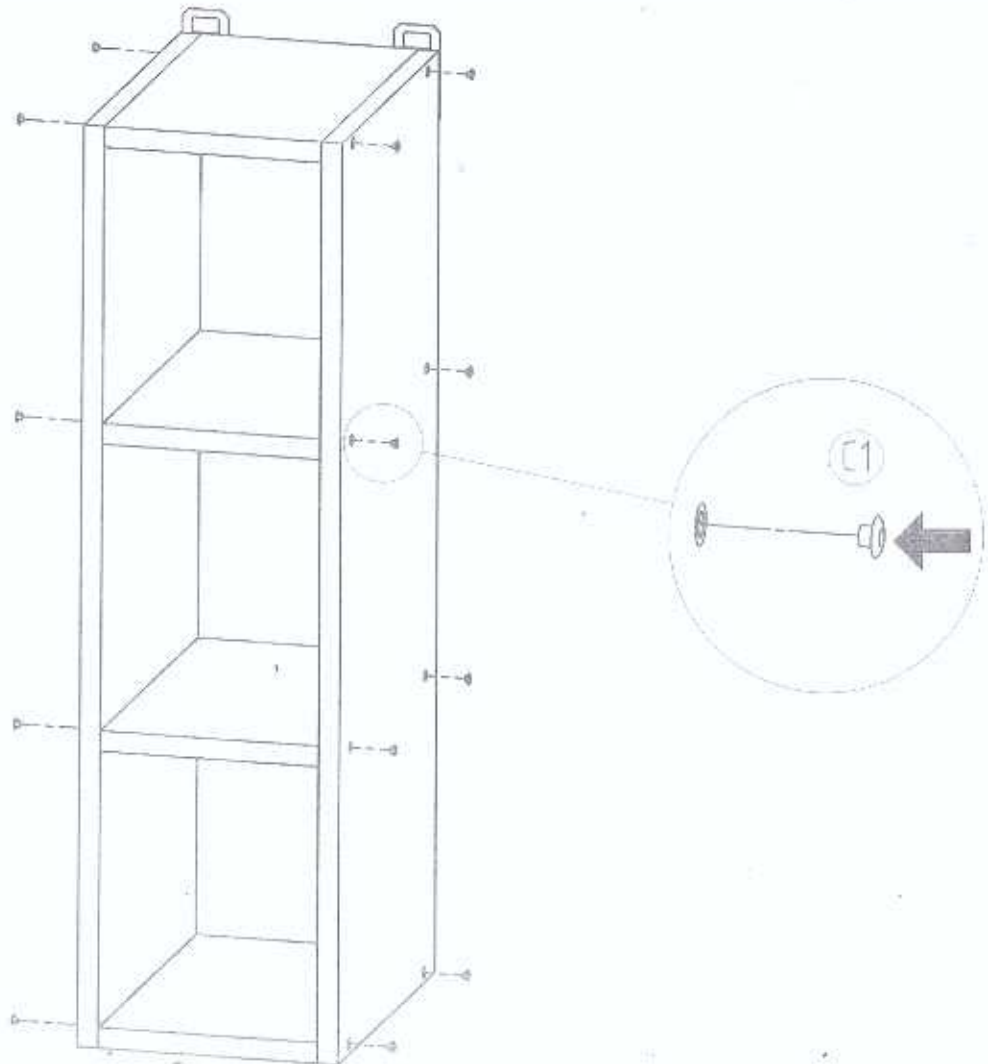
$$a = b$$



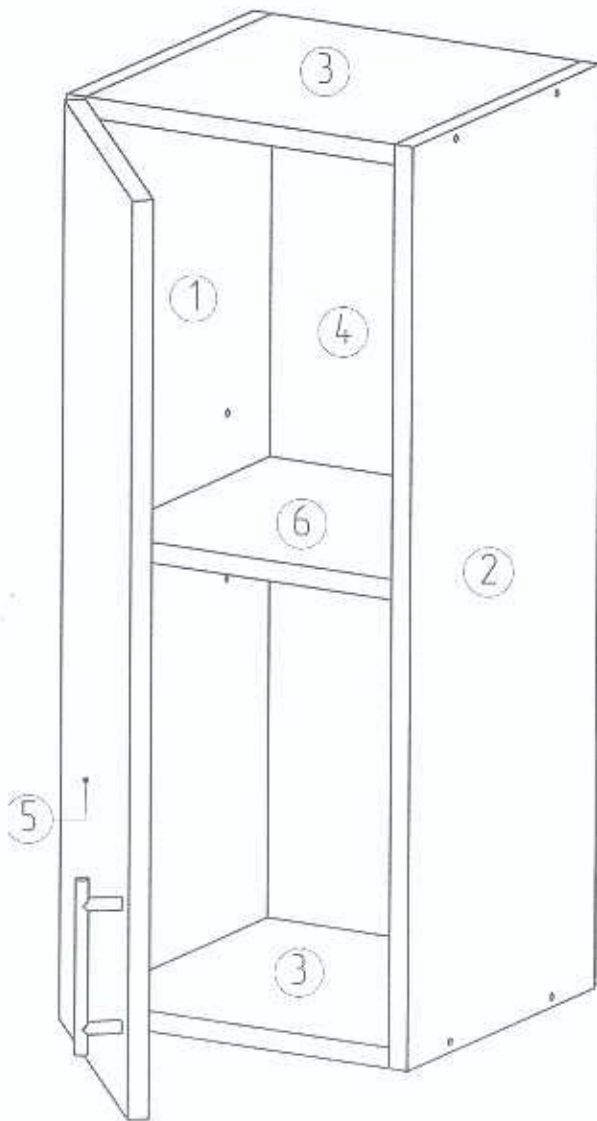
3















4



Wall Units 72



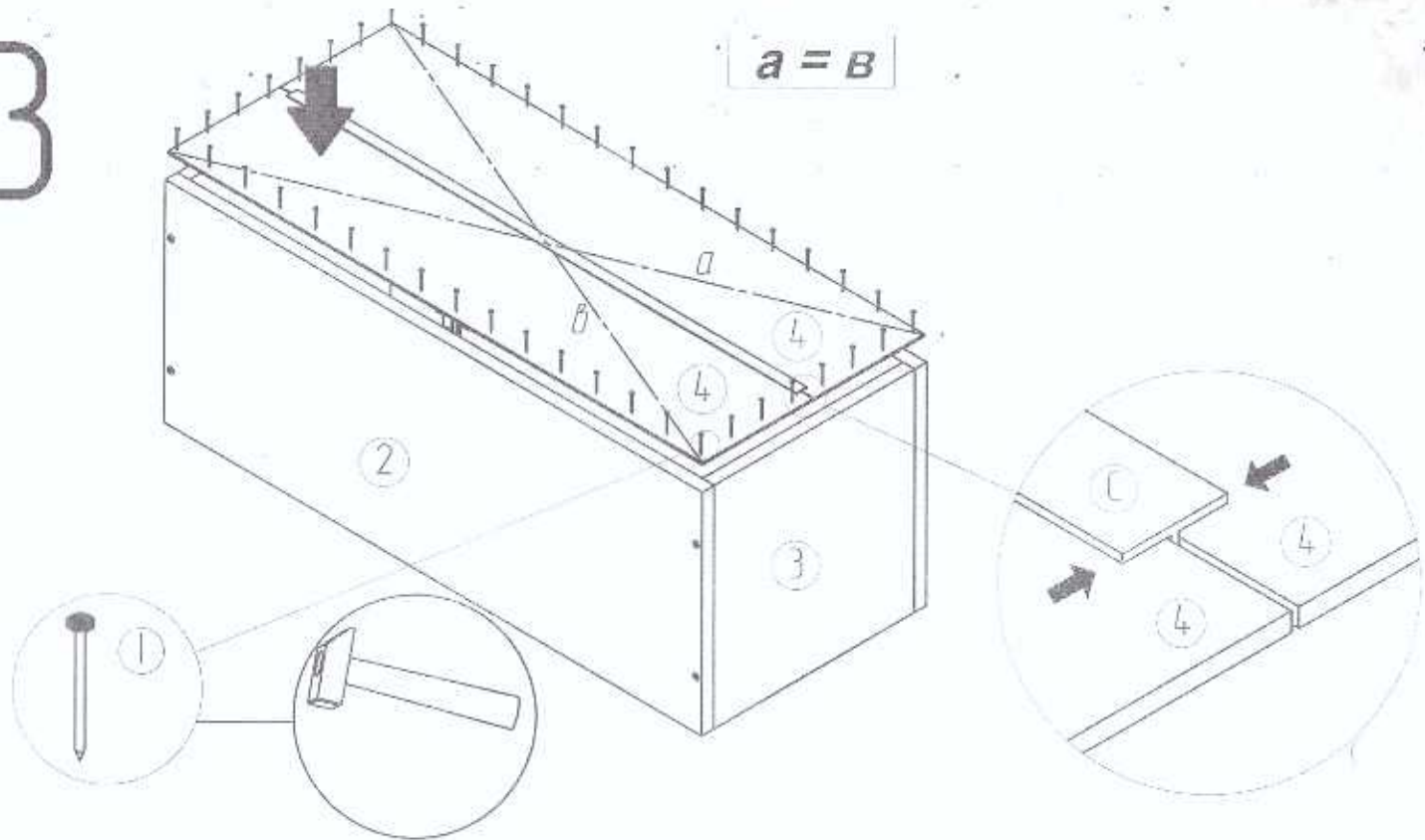
 x1	 x2	 x
 x2	 x4	 x4 4,0*16
 x8 4,0*30	 x4 6,3*13	 x15
 x1	 x8	 x8

B 30/72 B35/72 B 40/72 B 45/72 B 50/72 B 60/72/1 x

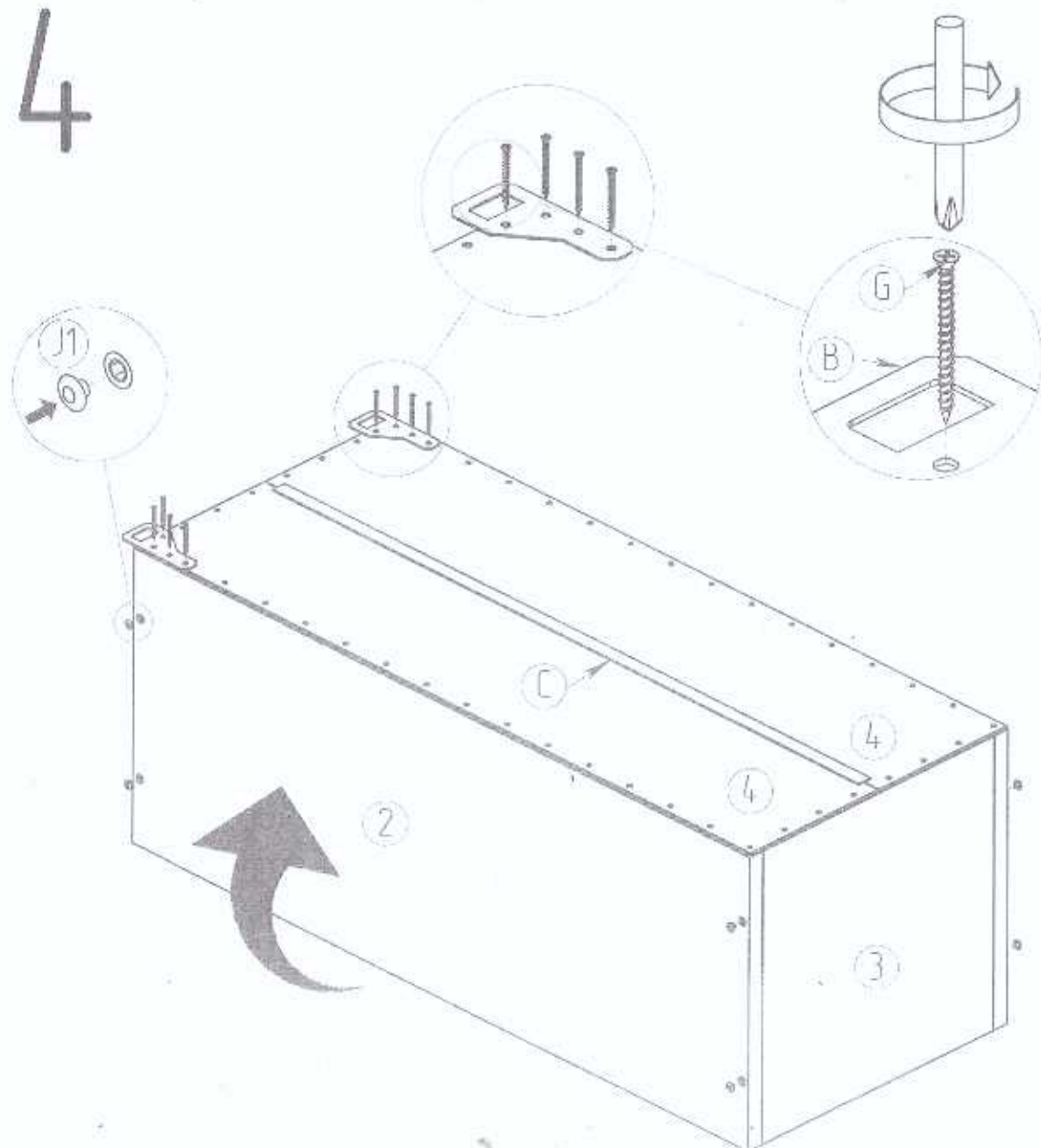
①	717x280x16	717x280x16	717x280x16	717x280x16	717x280x16	717x280x16	1
②	717x280x16	717x280x16	717x280x16	717x280x16	717x280x16	717x280x16	1
③	268x280x16	318x280x16	368x280x16	481x280x16	468x280x16	568x280x16	2
④	714x148x2,5	-	714x198x2,5	-	714x148x2,5	-	2
	-	714x198x2,5	-	-	714x198x2,5	-	1
	-	-	-	714x148x2,5	-	714x198x2,5	3
	-	714x148x2,5	-	-	-	-	1
⑤	713x296x16	713x346x16	713x396x16	713x446x16	713x496x16	713x596x16	1
⑥	266x260x16	316x260x16	366x260x16	416x260x16	466x260x16	566x260x16	1

3

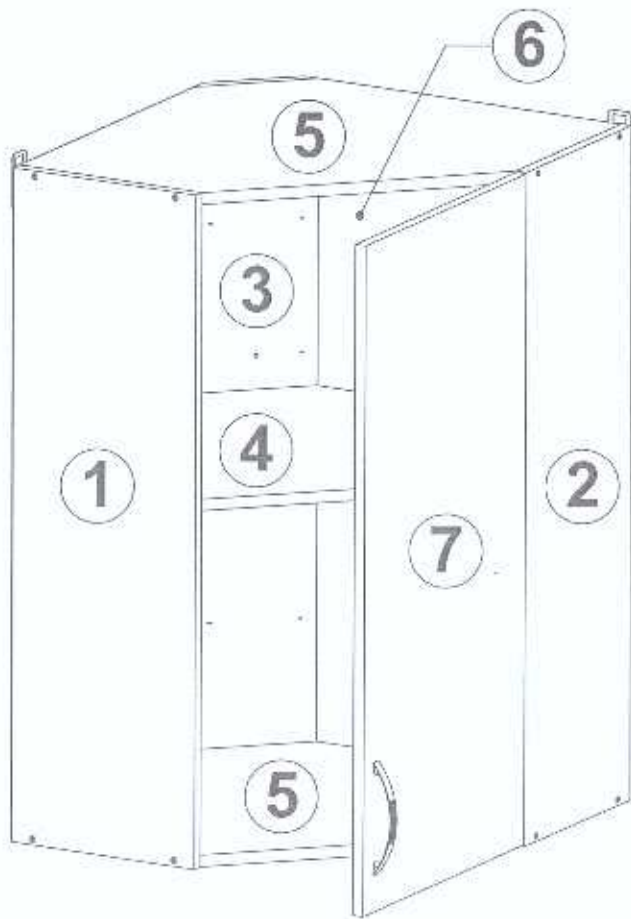
$$a = b$$


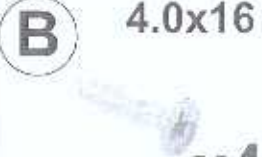










4



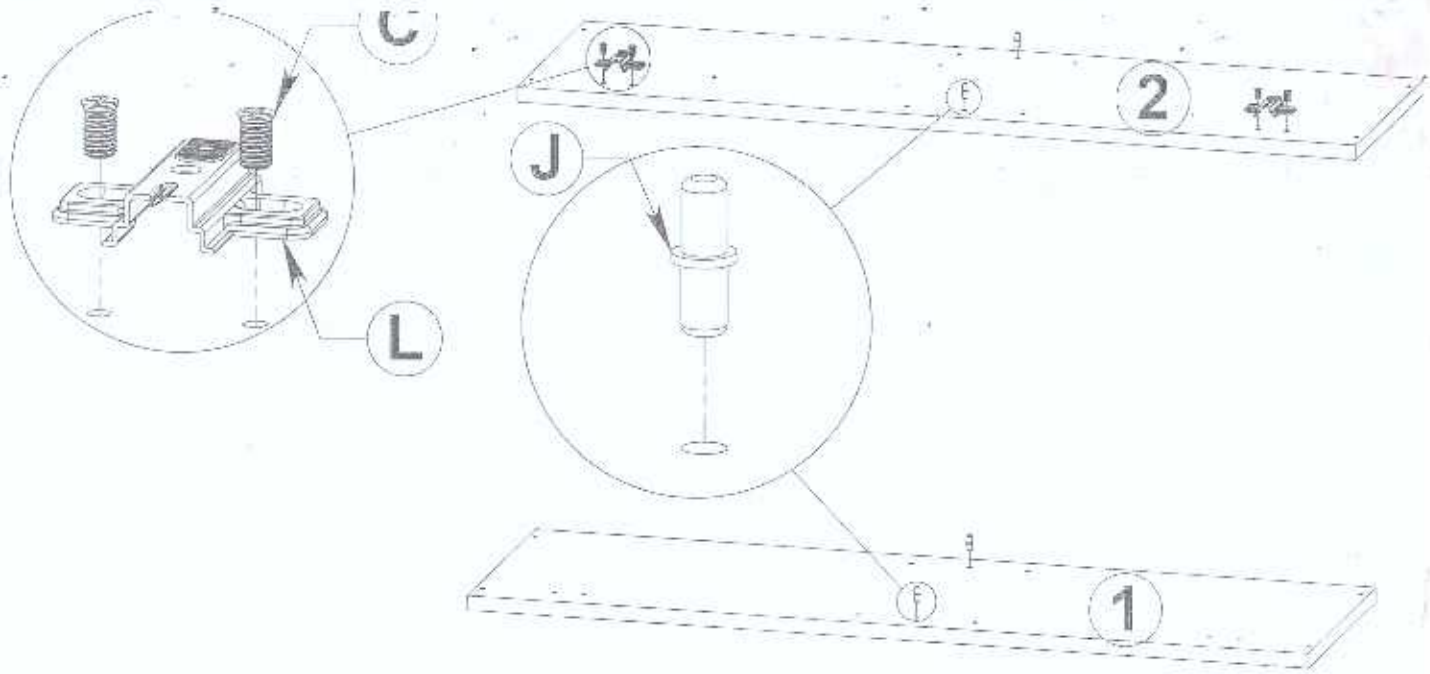
LOW Units



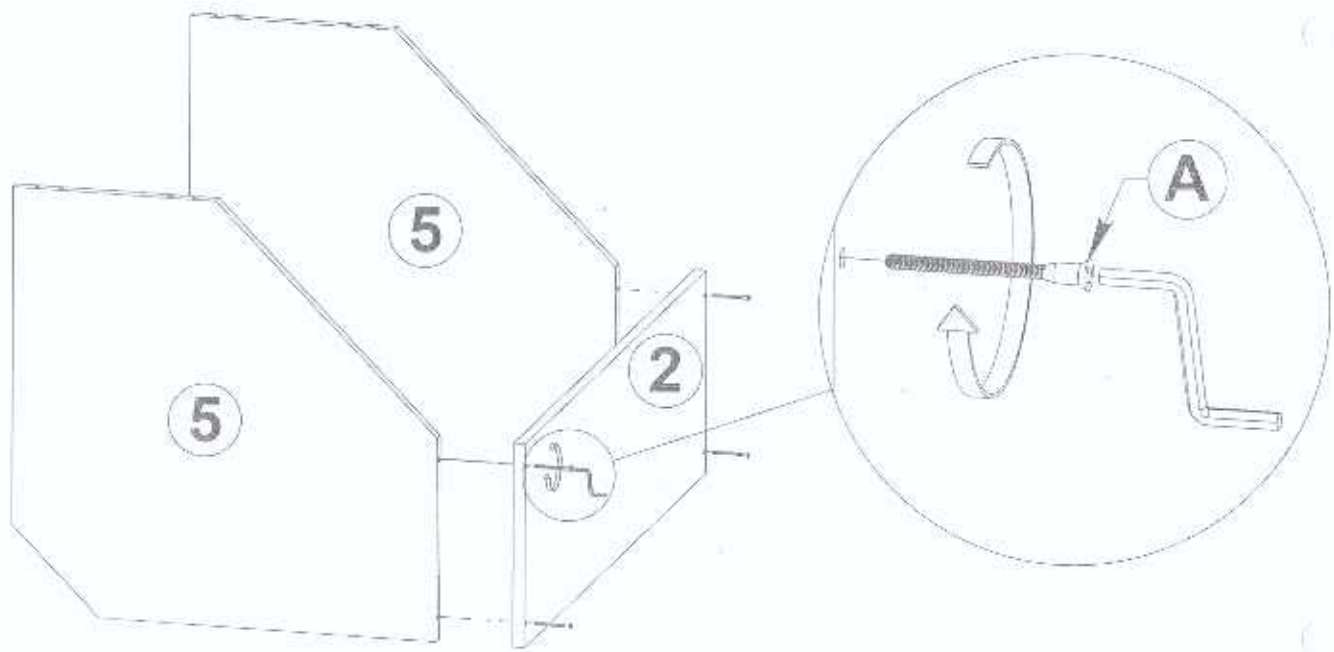
A  x10	B 4.0x16  x4	C  x4
D 4.0x30  x8	E  x30	F  x1
J  x5	K  x2	L  x2
I  x2		

No		X
①	717x280	1
②	717x280	1
③	717x170	1
④	582x582	1
⑤	584x584	2
⑥	714x498	2
⑦	713x426	1

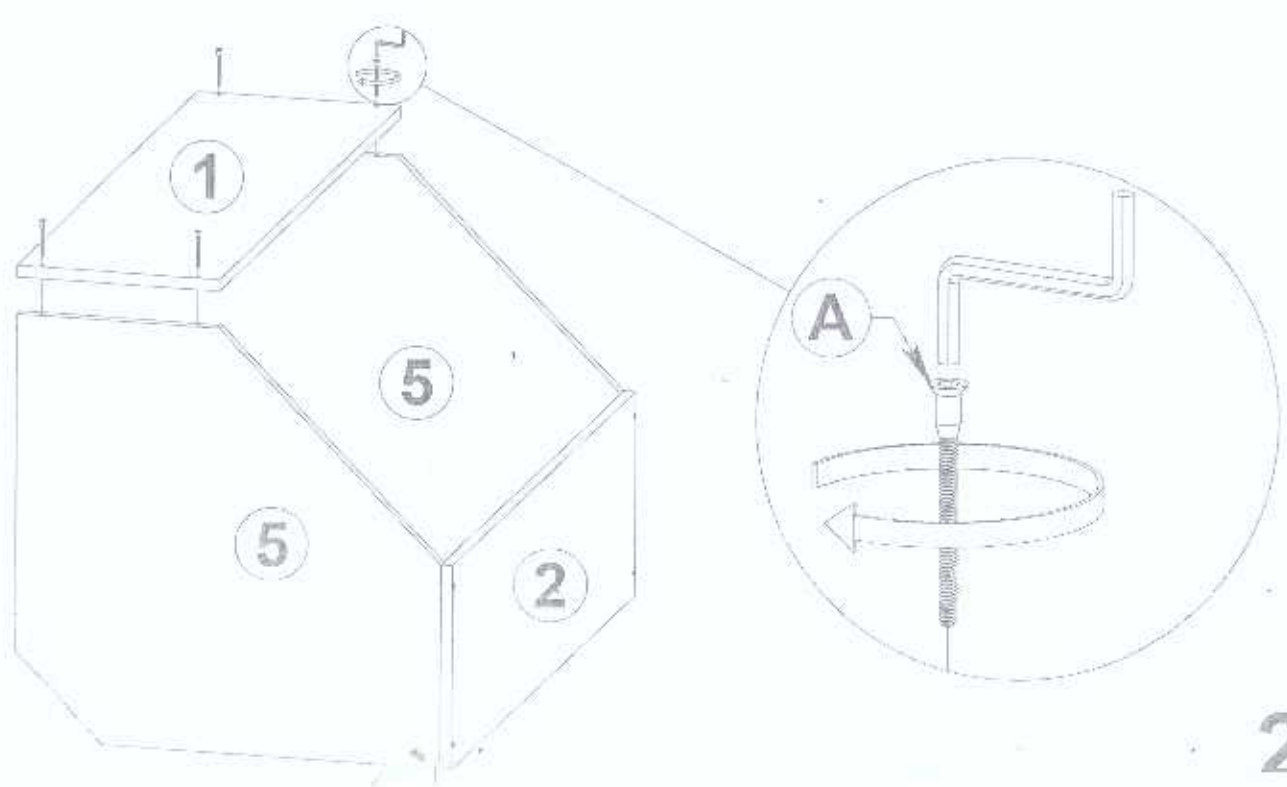
1



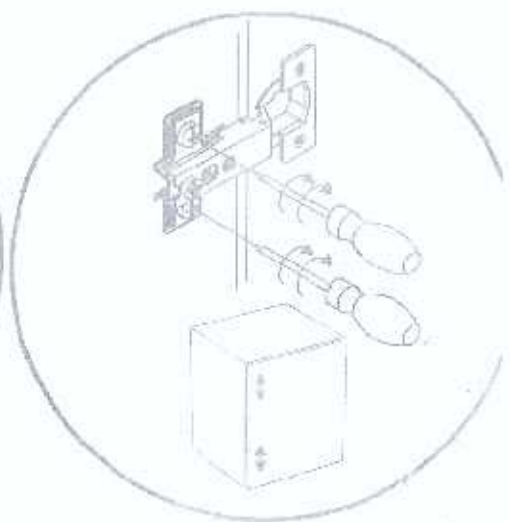
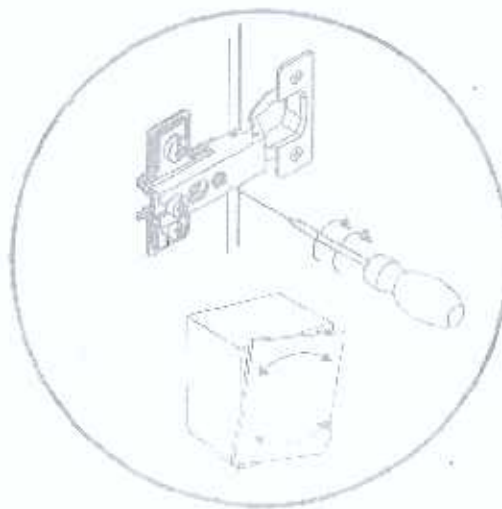
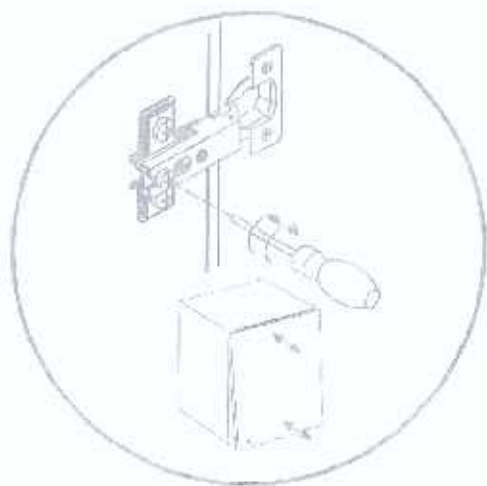
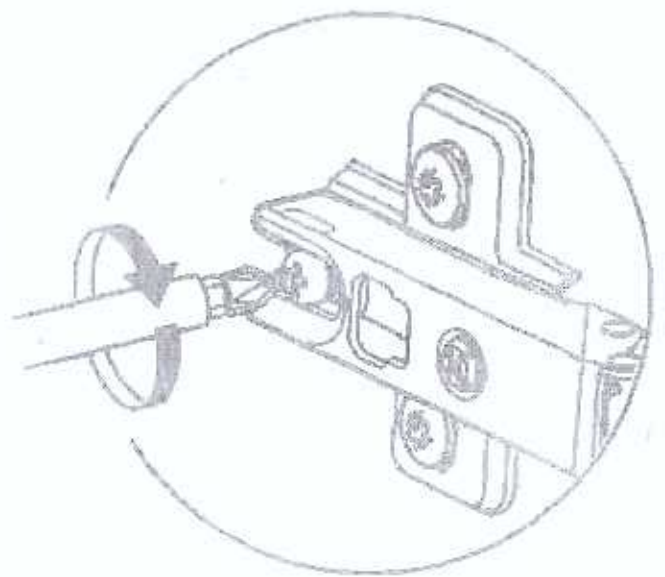
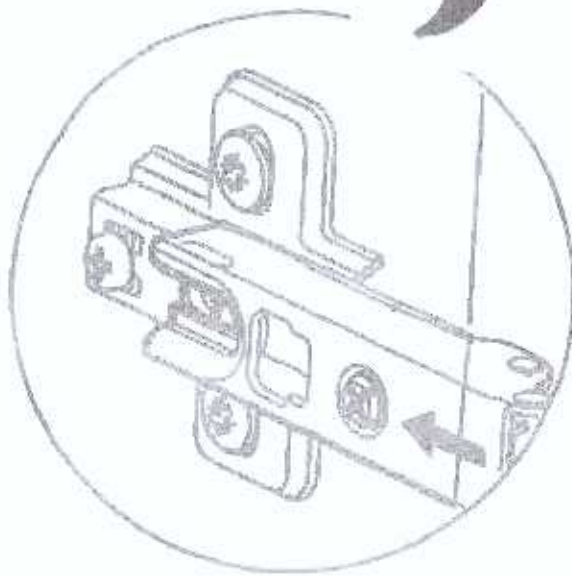
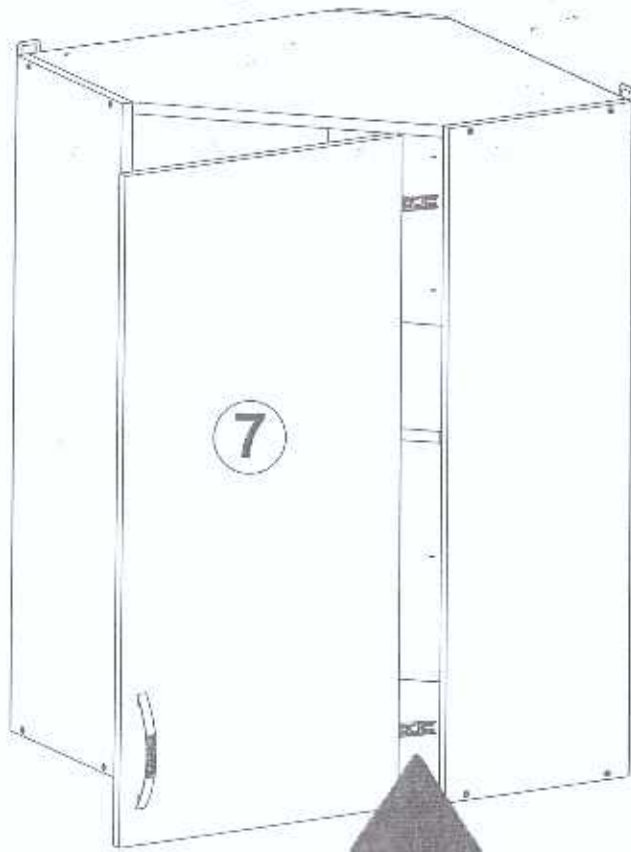
2



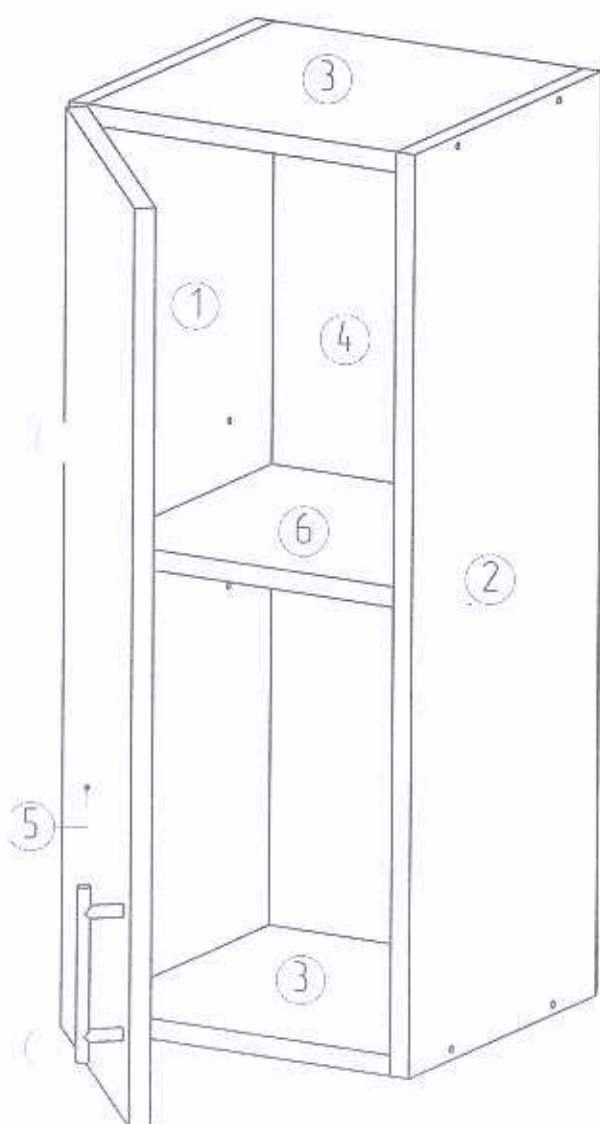
3















7



Wall Units 72

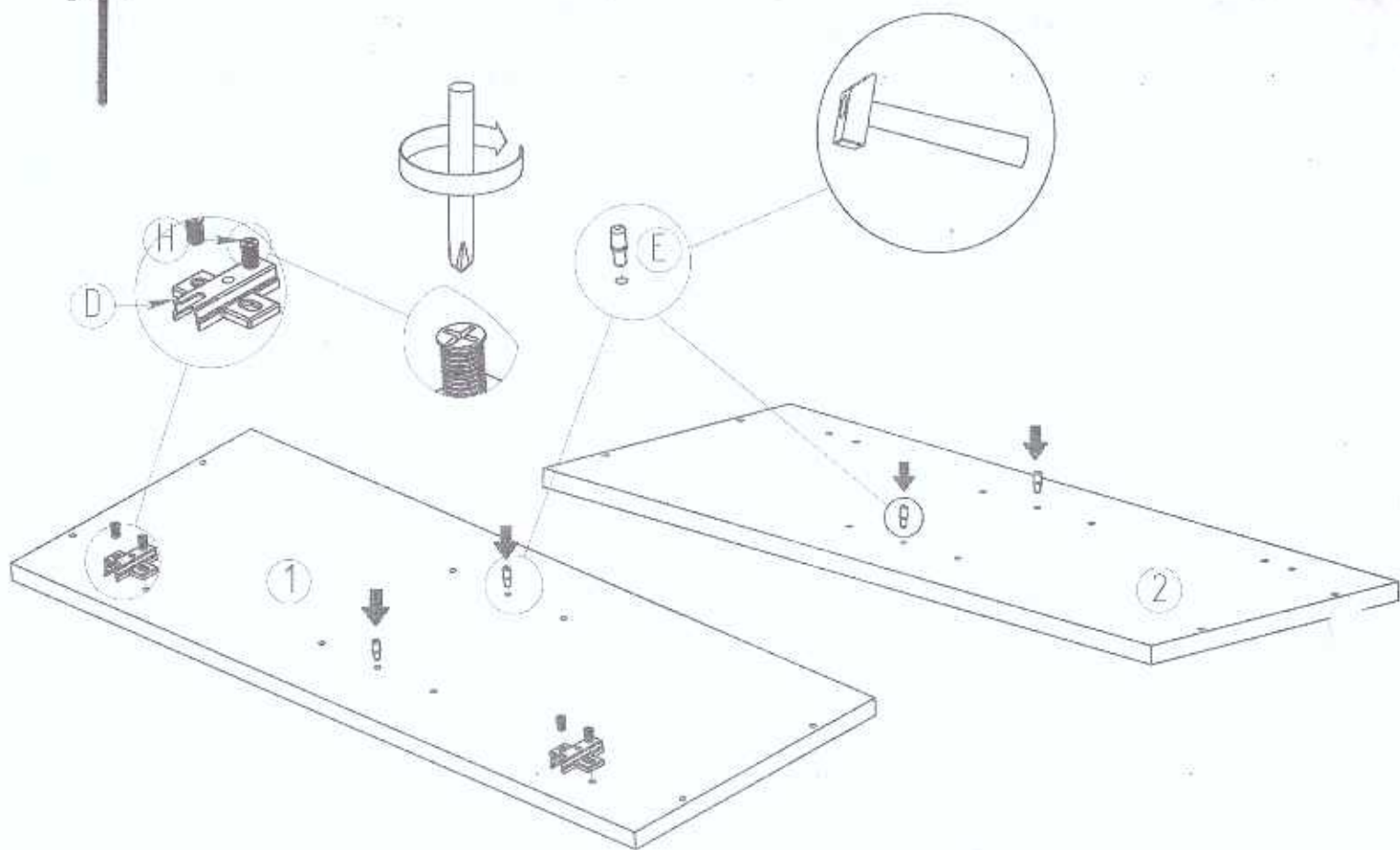


 x1	 x2	 x
 x2	 x4	 x4 4,0*16
 x8 4,0*30	 x4 6,3*13	 x15
 x1	 x8	 x8

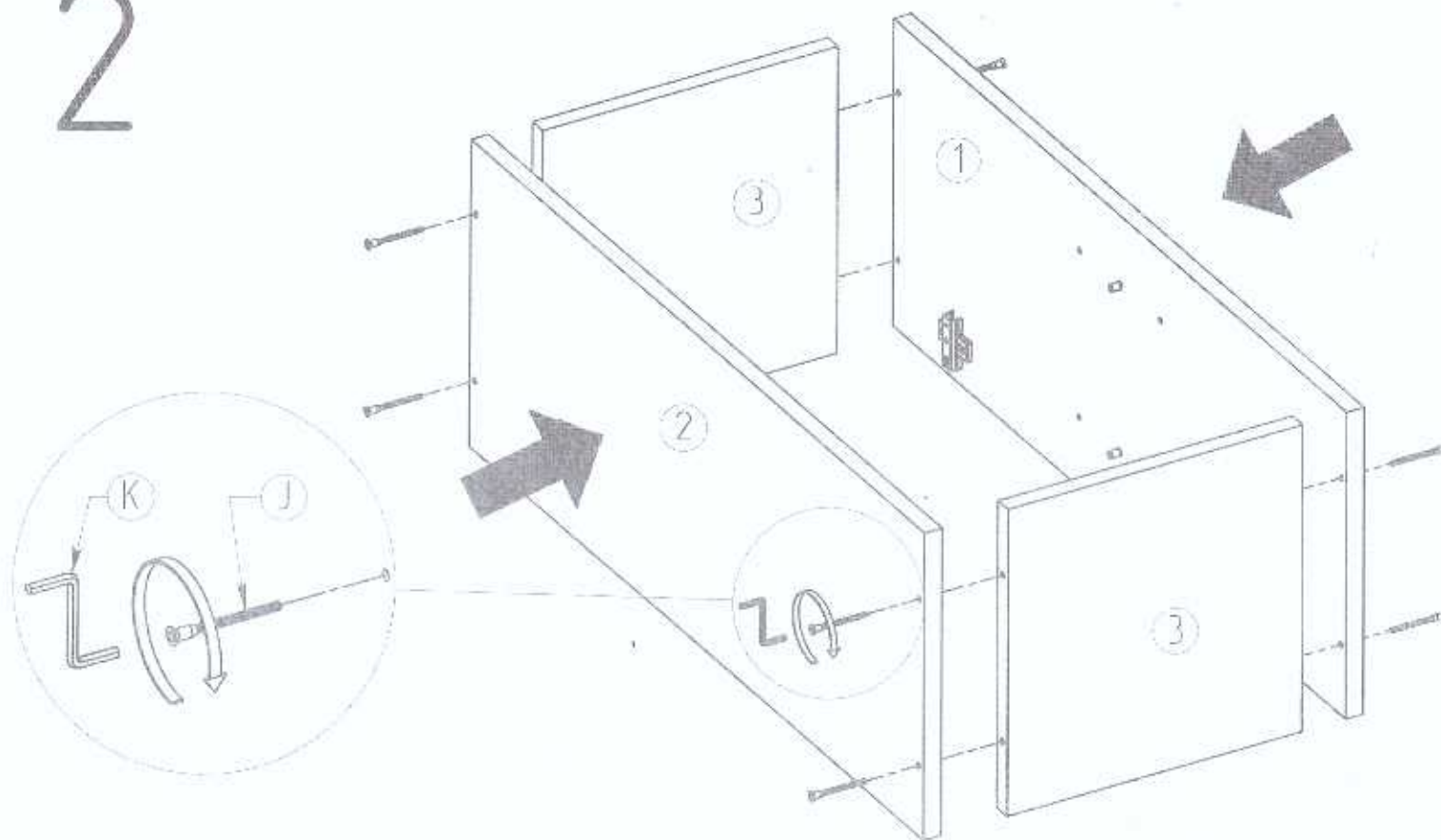
B 30/72 B35/72 B 40/72 B 45/72 B 50/72 B 60/72/1 x

①	717x280x16	717x280x16	717x280x16	717x280x16	717x280x16	717x280x16	1
②	717x280x16	717x280x16	717x280x16	717x280x16	717x280x16	717x280x16	1
③	268x280x16	318x280x16	368x280x16	481x280x16	468x280x16	568x280x16	2
④	714x148x2,5	-	714x198x2,5	-	714x148x2,5	-	2
	-	714x198x2,5	-	-	714x198x2,5	-	1
	-	-	-	714x148x2,5	-	714x198x2,5	3
	-	714x148x2,5	-	-	-	-	1
⑤	713x296x16	713x346x16	713x396x16	713x446x16	713x496x16	713x596x16	1
⑥	266x260x16	316x260x16	366x260x16	416x260x16	466x260x16	566x260x16	1

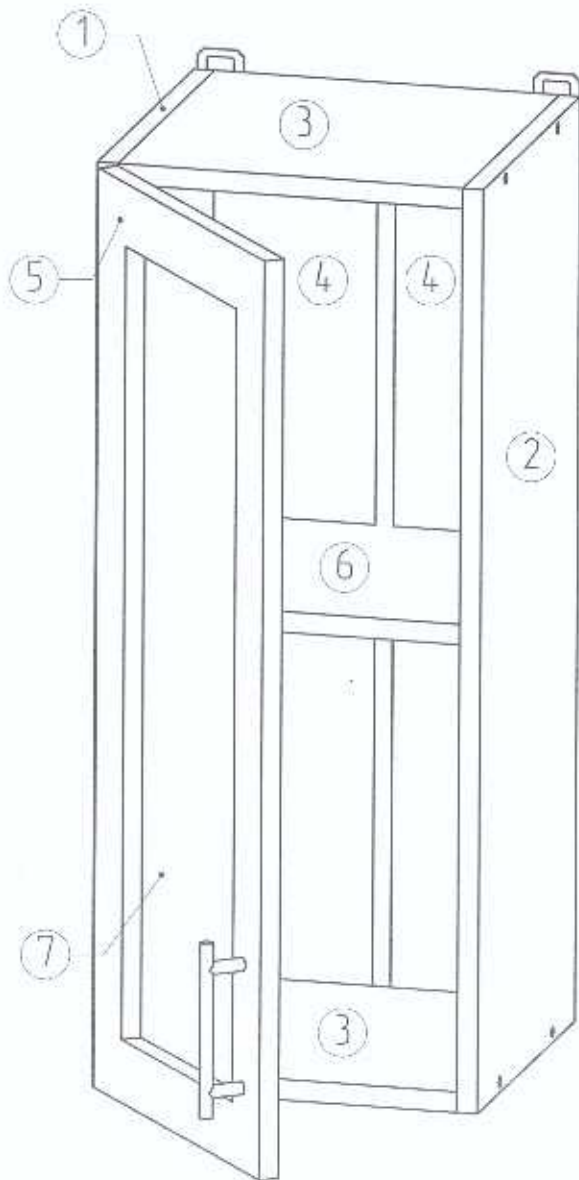
1
















2



Wall Units 72

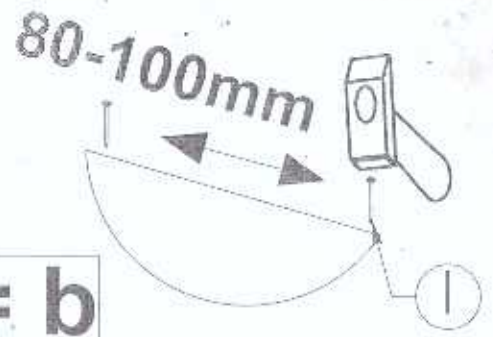
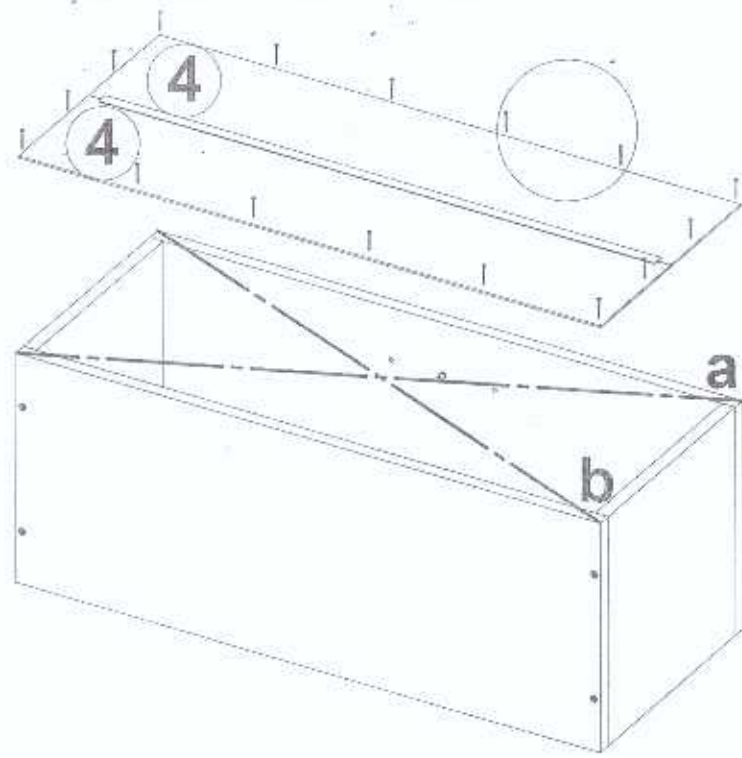


(A)	(B)	(C)	(D)
			
x1	x2	x1	x2
(E)	(F) 4,0*16	(G) 4,0*30	(H) 6,3*13
			
x4	x4	x8	x8
(I)	(K)	(J1) 3*15	(J)
			
15	x10	x10	x8
(L)			
			
x1			

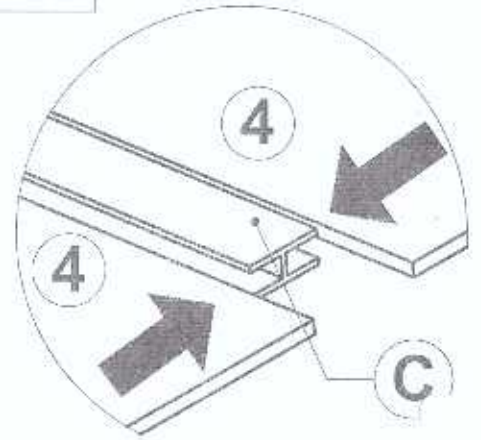
B 30/72(B) B35/72(B) B 40/72(B) B 45/72(B) B 50/72(B) B 60/72/1(B) X

(1)	717x280x16	717x280x16	717x280x16	717x280x16	717x280x16	717x280x16	1
(2)	717x280x16	717x280x16	717x280x16	717x280x16	717x280x16	717x280x16	1
(3)	268x280x16	318x280x16	368x280x16	418x280x16	468x280x16	568x280x16	2
(4)	714x148x2,5	-	714x198x2,5	-	714x148x2,5	-	2
	-	714x198x2,5	-	-	714x198x2,5	-	1
	-	-	-	714x148x2,5	-	714x198x2,5	3
	-	714x148x2,5	-	-	-	-	1
(5)	713x296x16	713x346x16	713x396x16	713x446x16	713x496x16	713x596x16	1
(6)	266x260x16	316x260x16	366x260x16	416x260x16	466x260x16	566x260x16	1
(7)	619x202x4	619x252x4	619x302x4	619x352x4	619x402x4	619x502x4	1

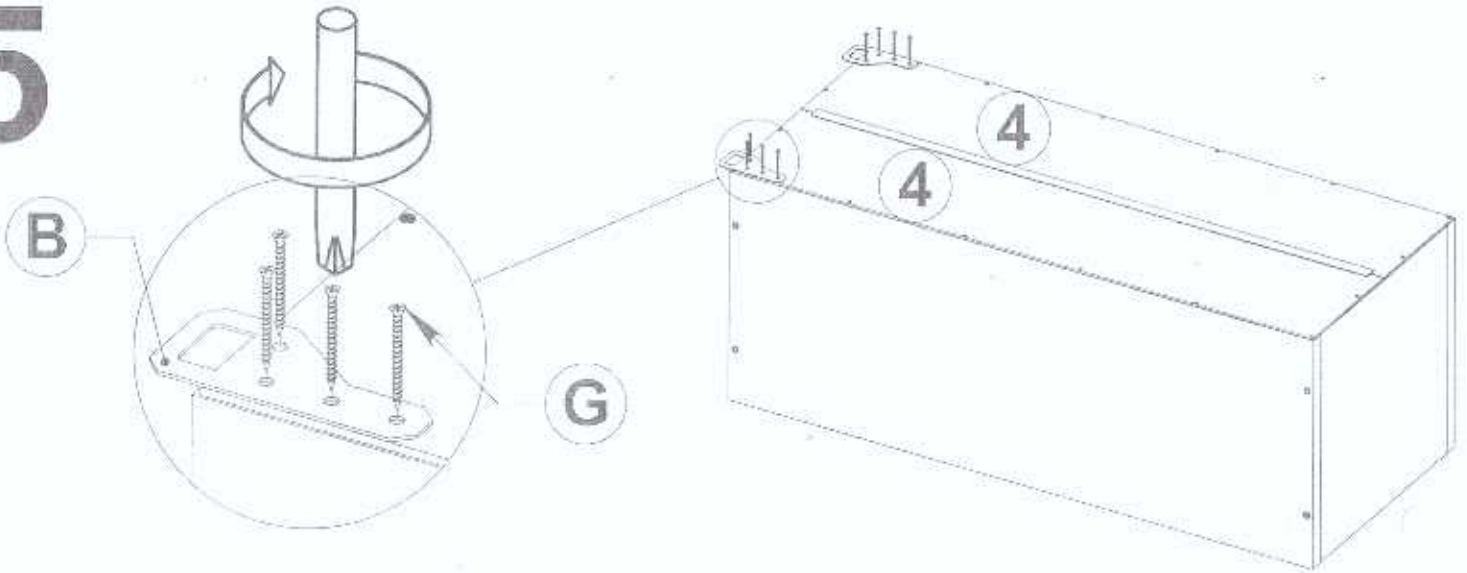
4



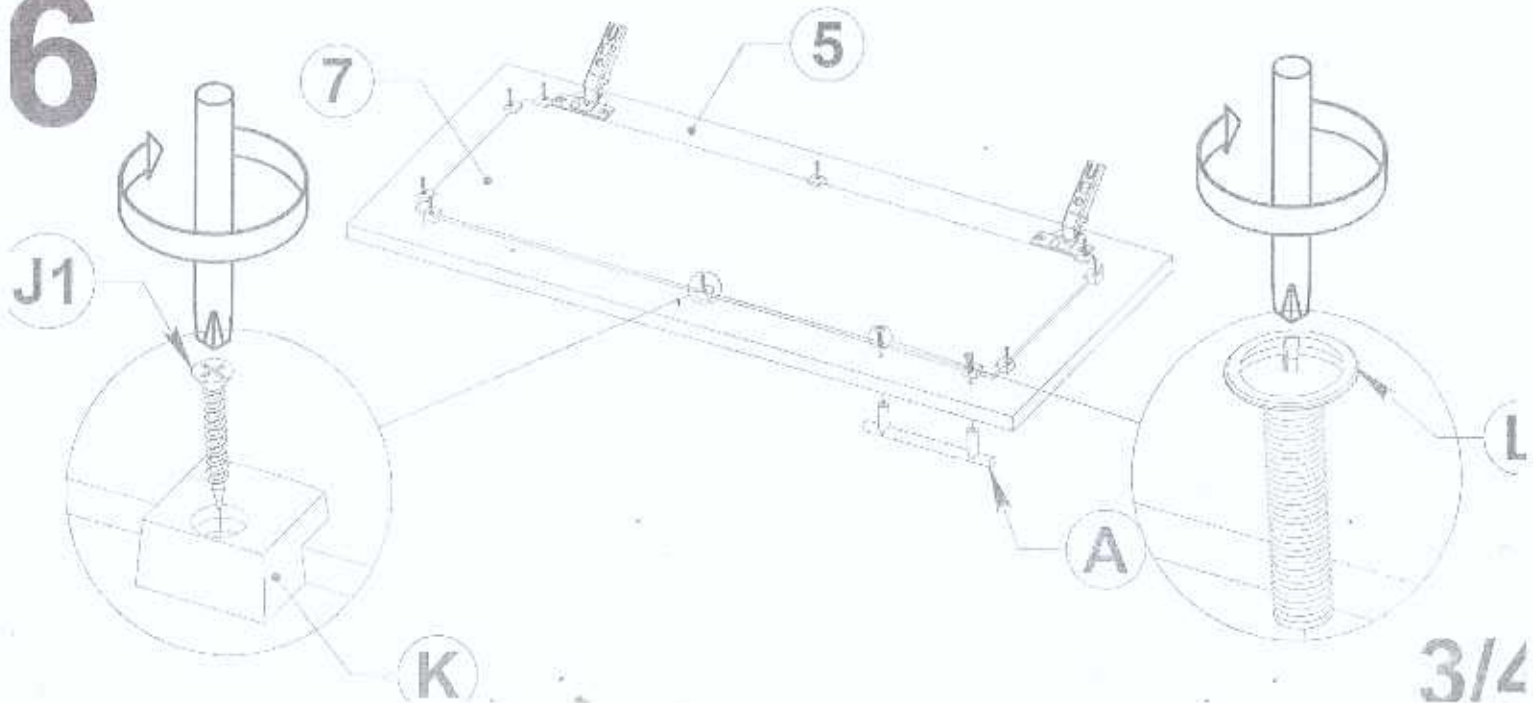
$a = b$



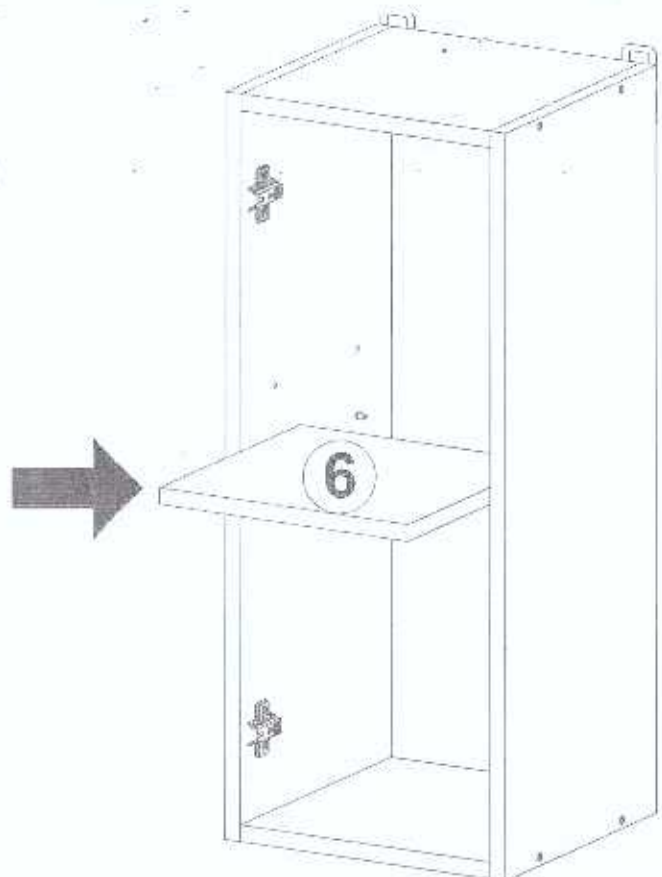
5



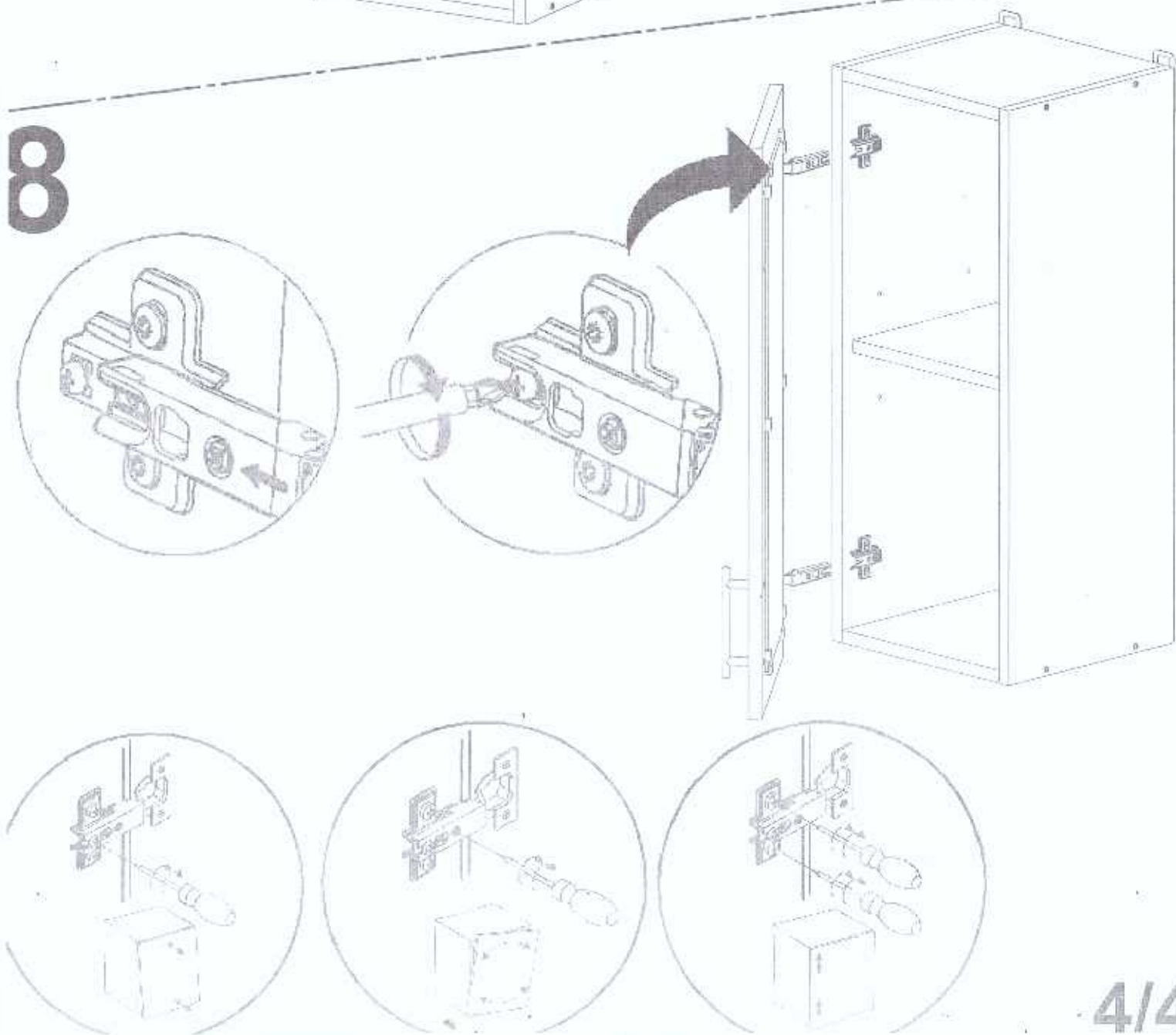
6



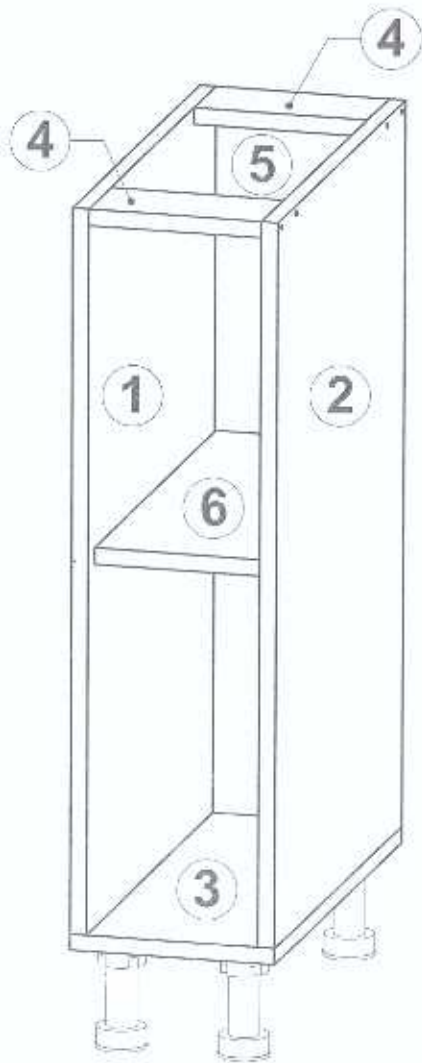
7









8



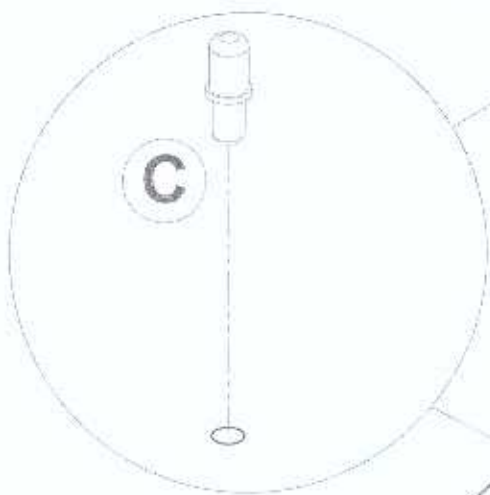
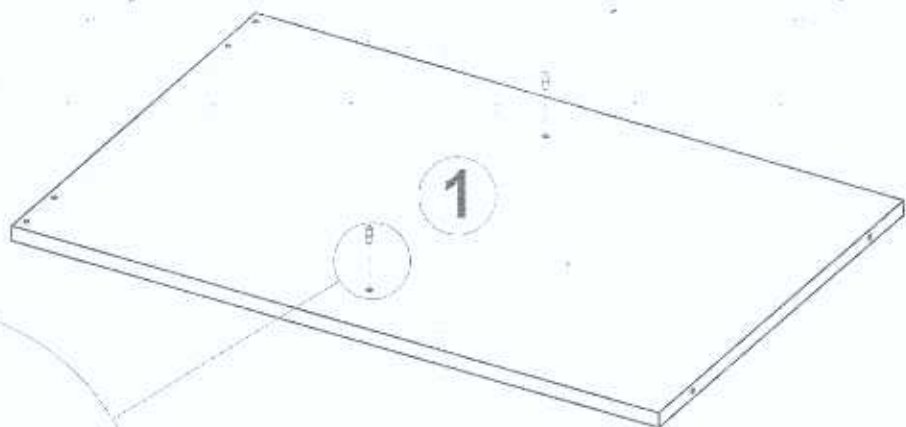
LOW Units



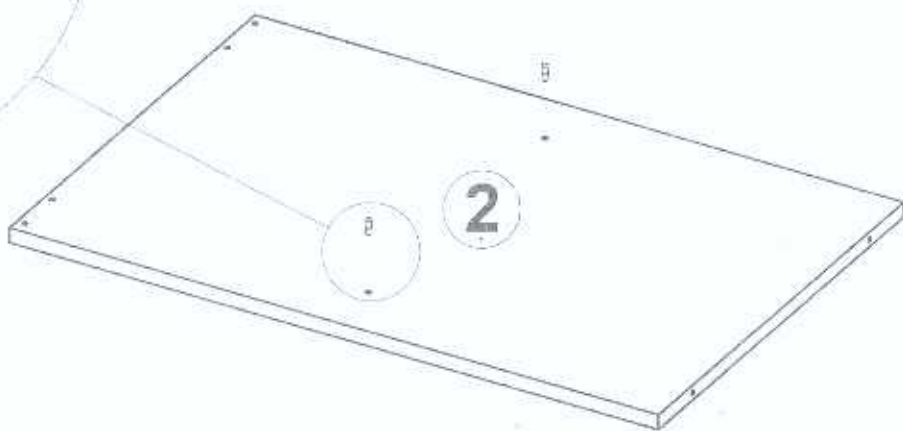
A  x12	B  x4
C  x4	D  4x30 mm x4
E  4x16 mm x20	F  x10

No	HB 20/82	X
①	704x460x16	1
②	704x460x16	1
③	200x460x16	1
④	168x80x16	2
⑤	714x198x2.5	1
⑥	166x448x16	1

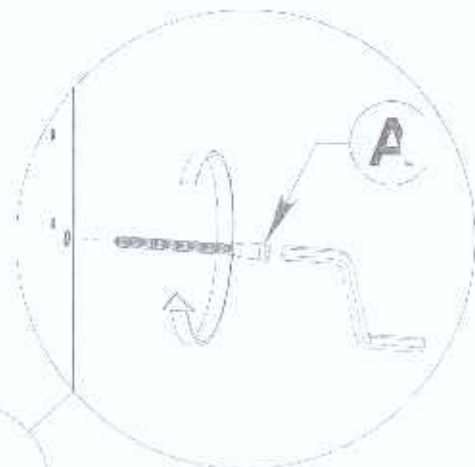
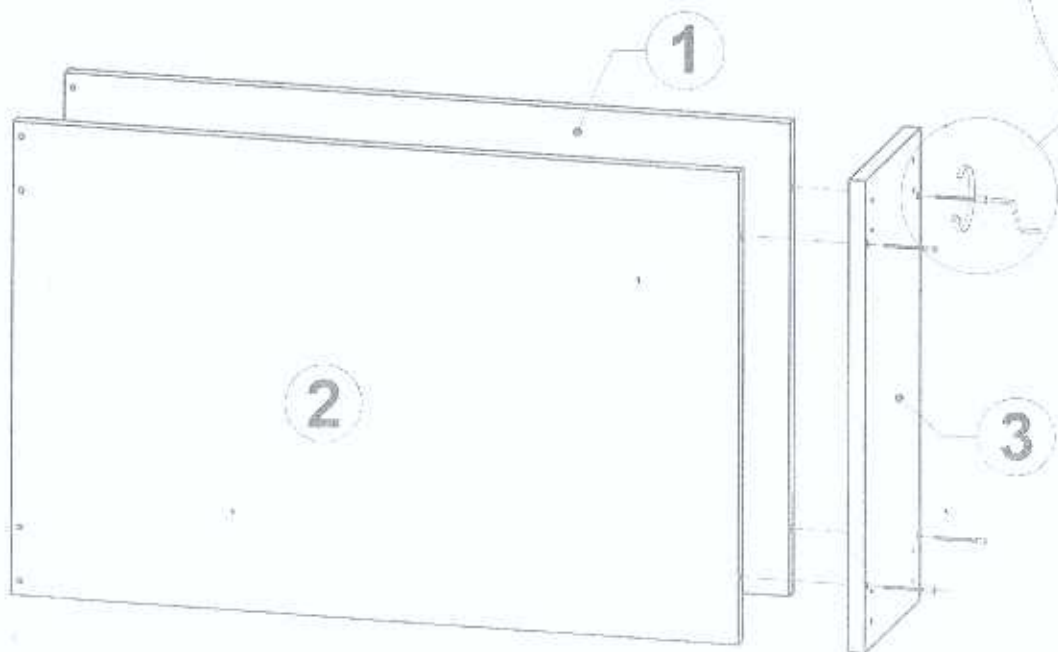
1



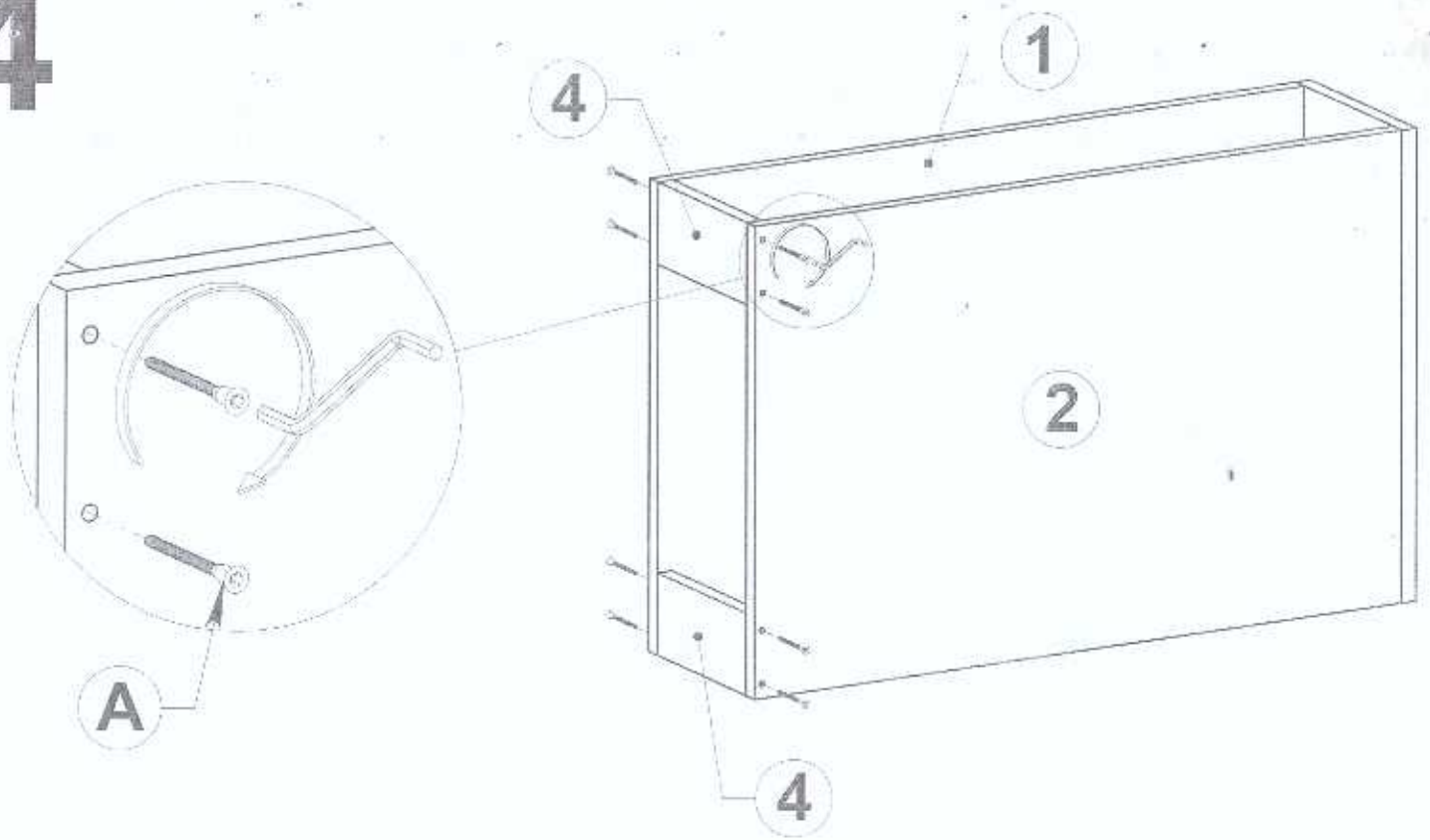
2



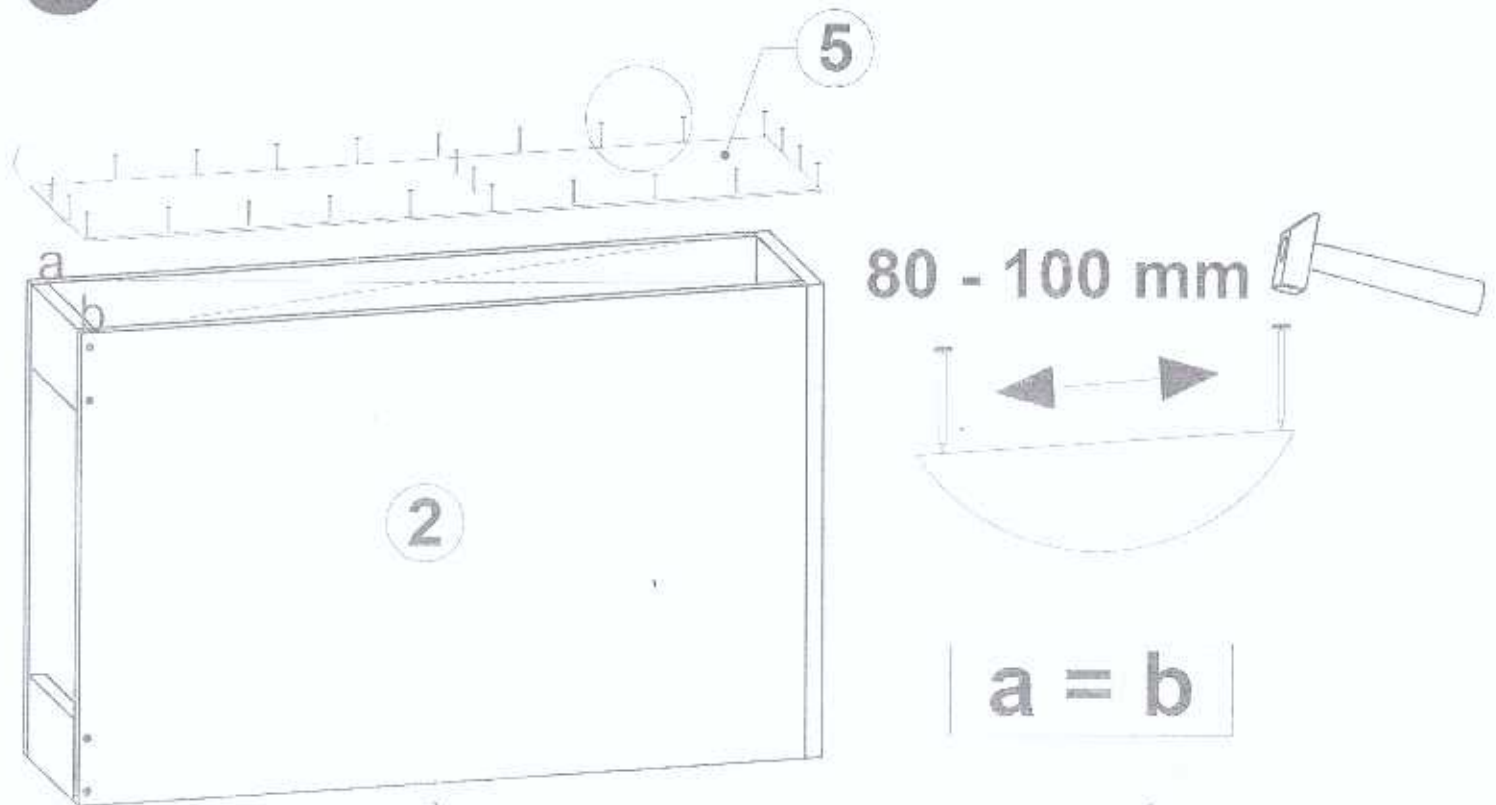
3



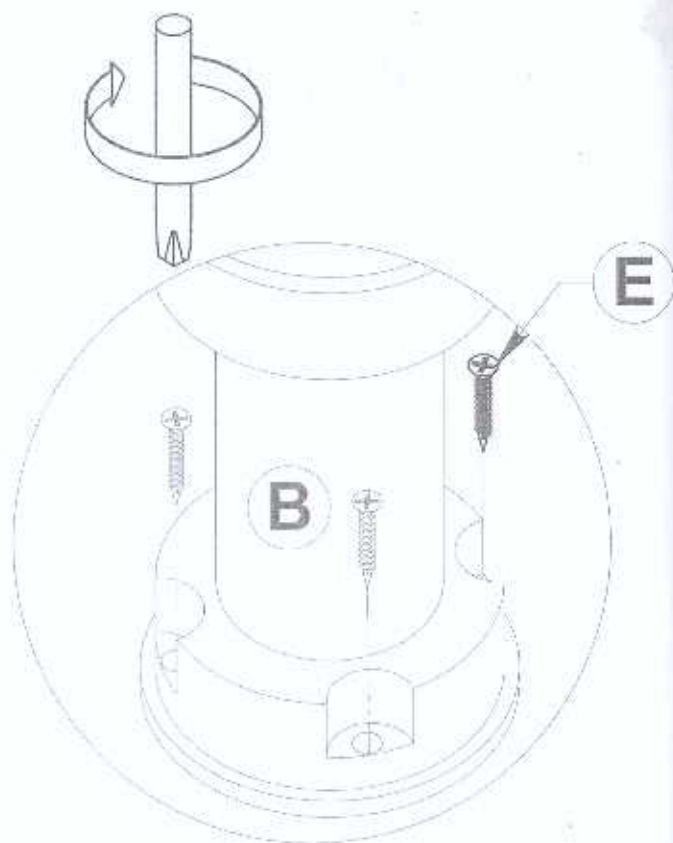
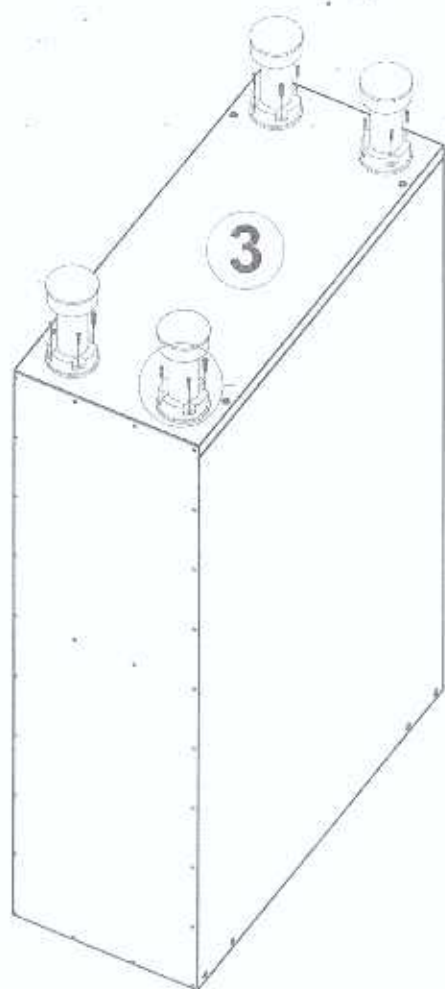
4



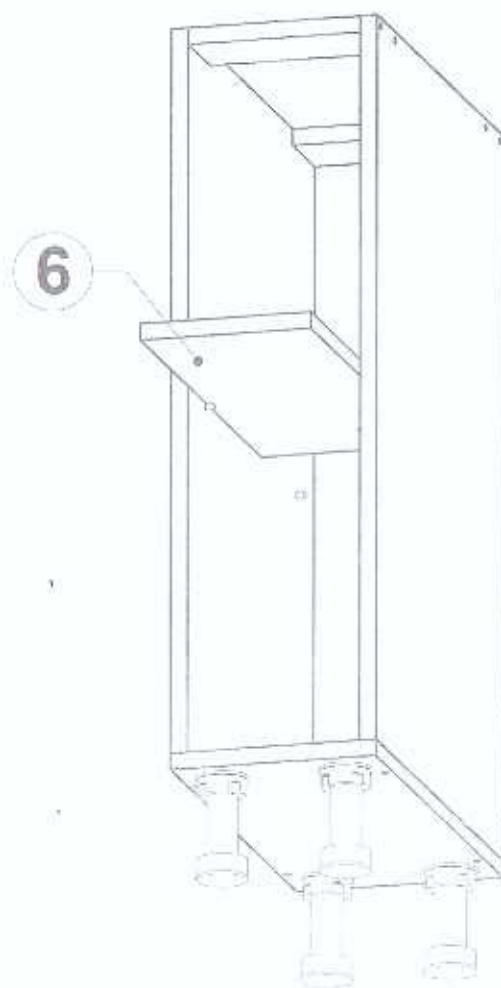
5



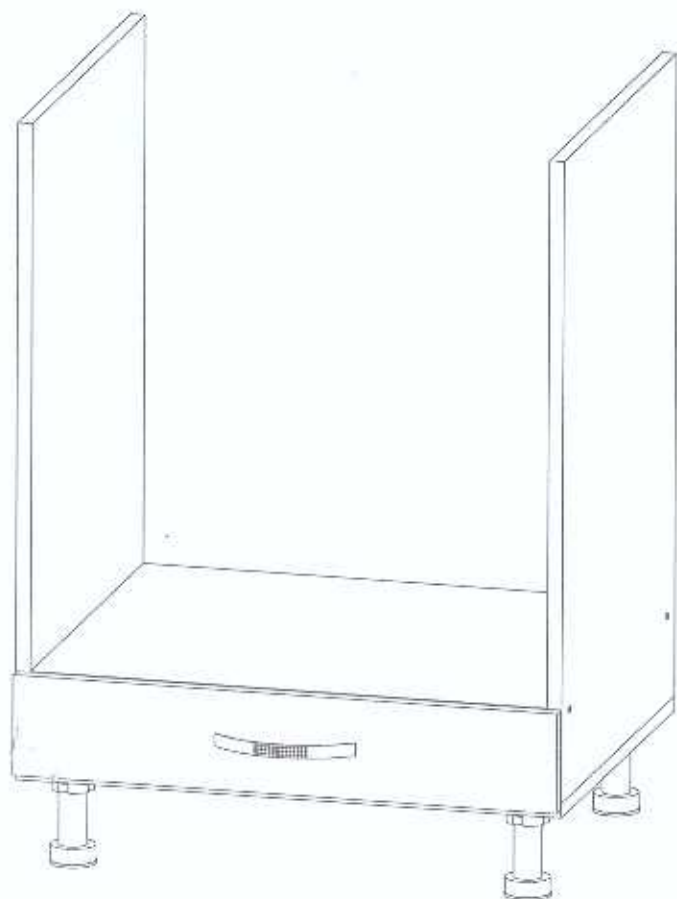
6


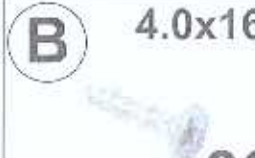



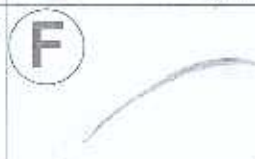


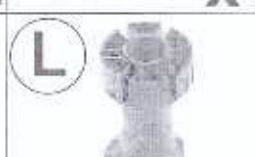
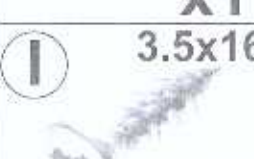


7

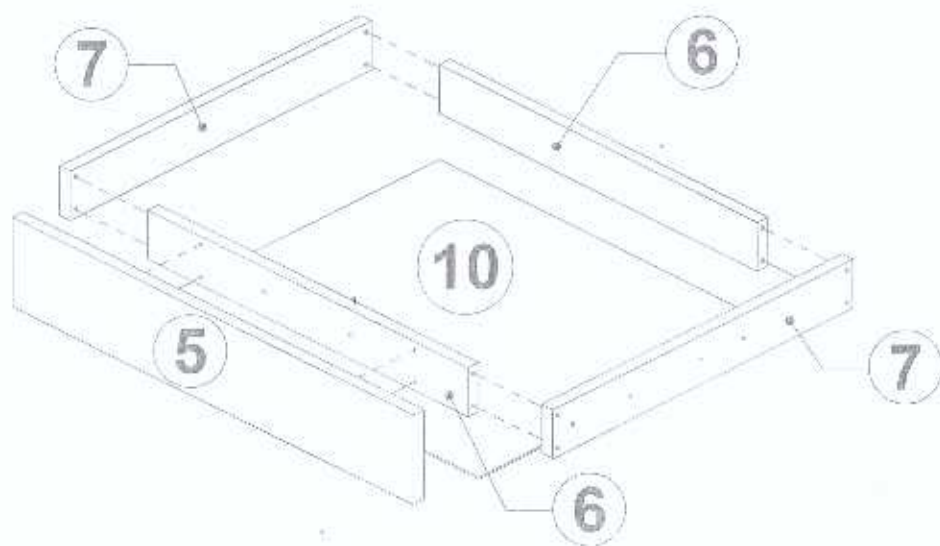
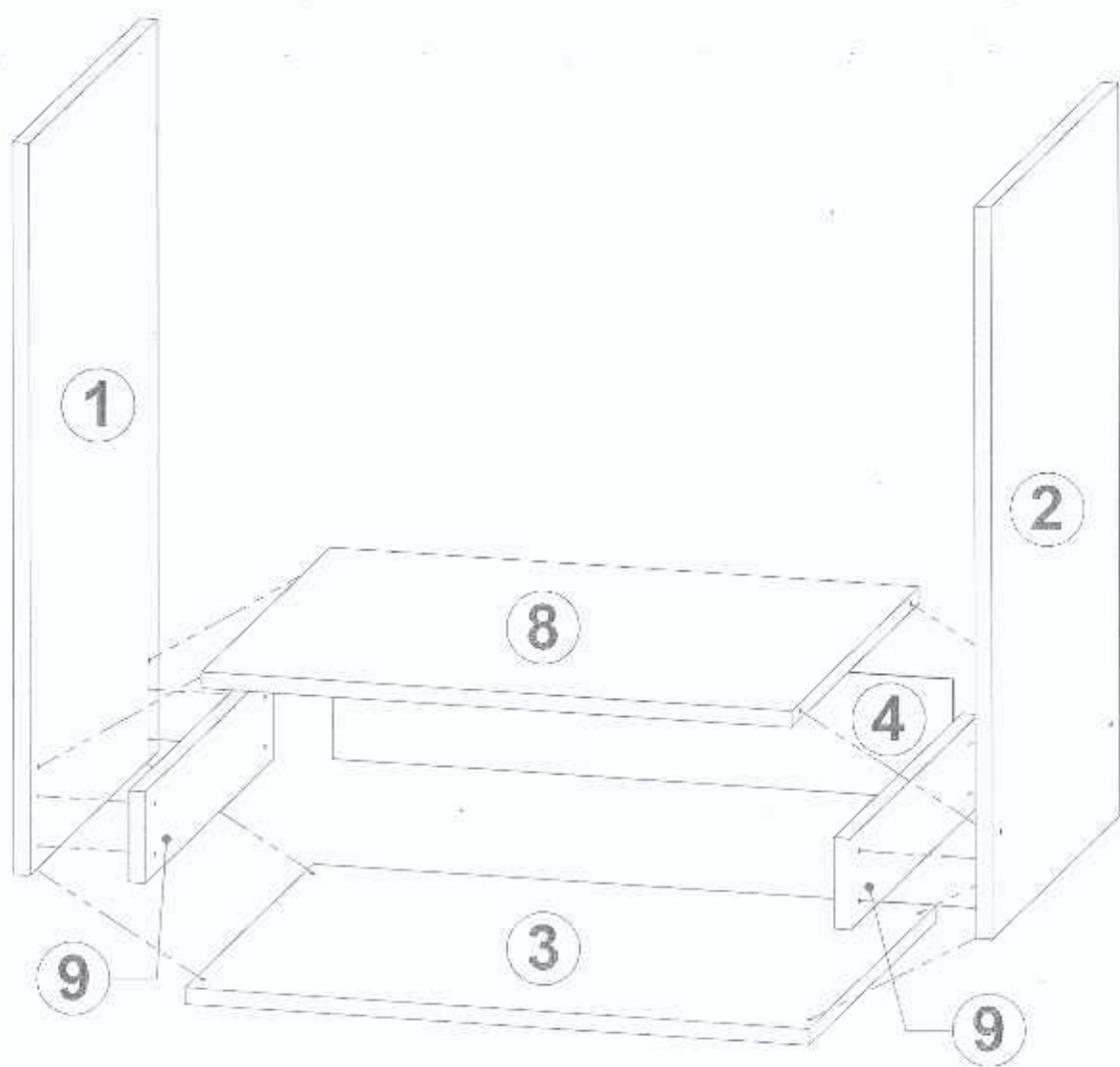


LOW Units

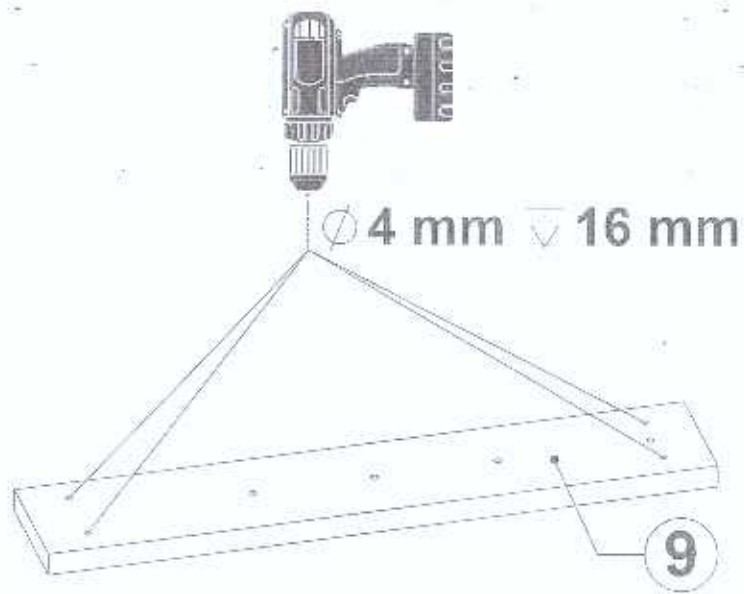


A  x16	B 4.0x16  x36	C  x8
D 4.0x30  x14	E 4x40  x2	F  x1
J  x1	K  10	L  x4
I 3.5x16  x6		

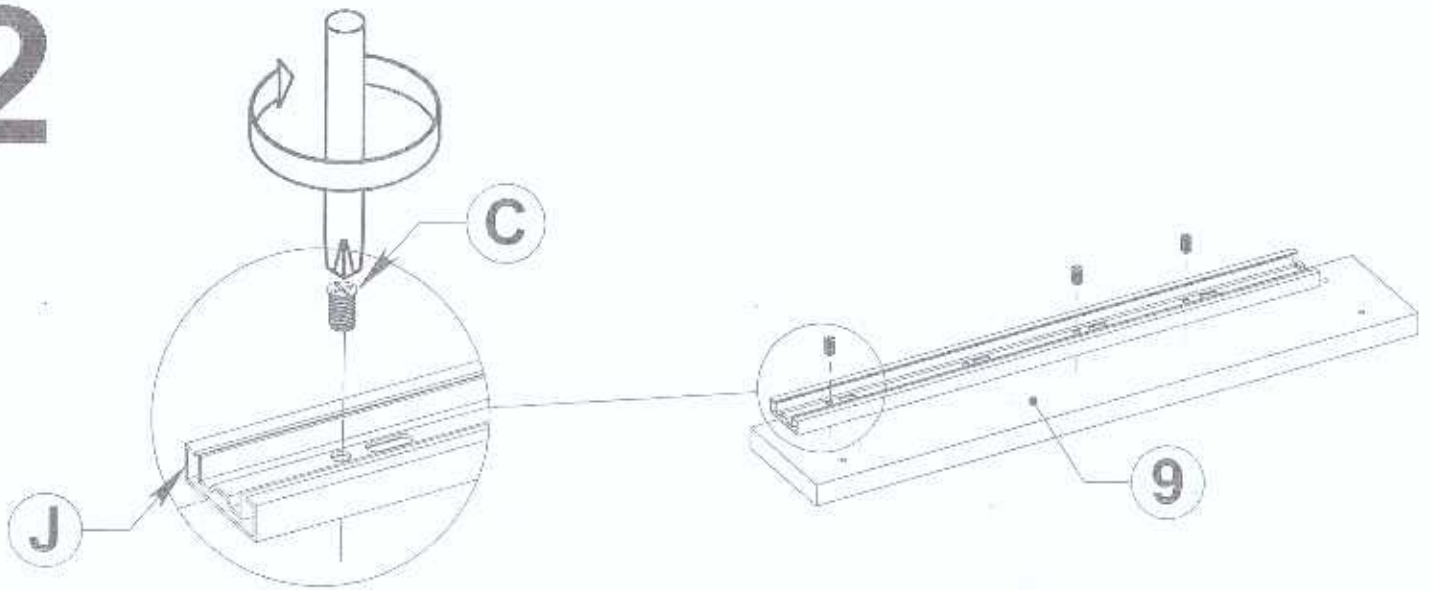
No		X
①	704x460	1
②	704x460	1
③	600x460	1
④	116x598	1
⑤	110x598	1
⑥	477x60	2
⑦	450x60	2
⑧	568x460	1
⑨	460x88	2
⑩	507x448	1



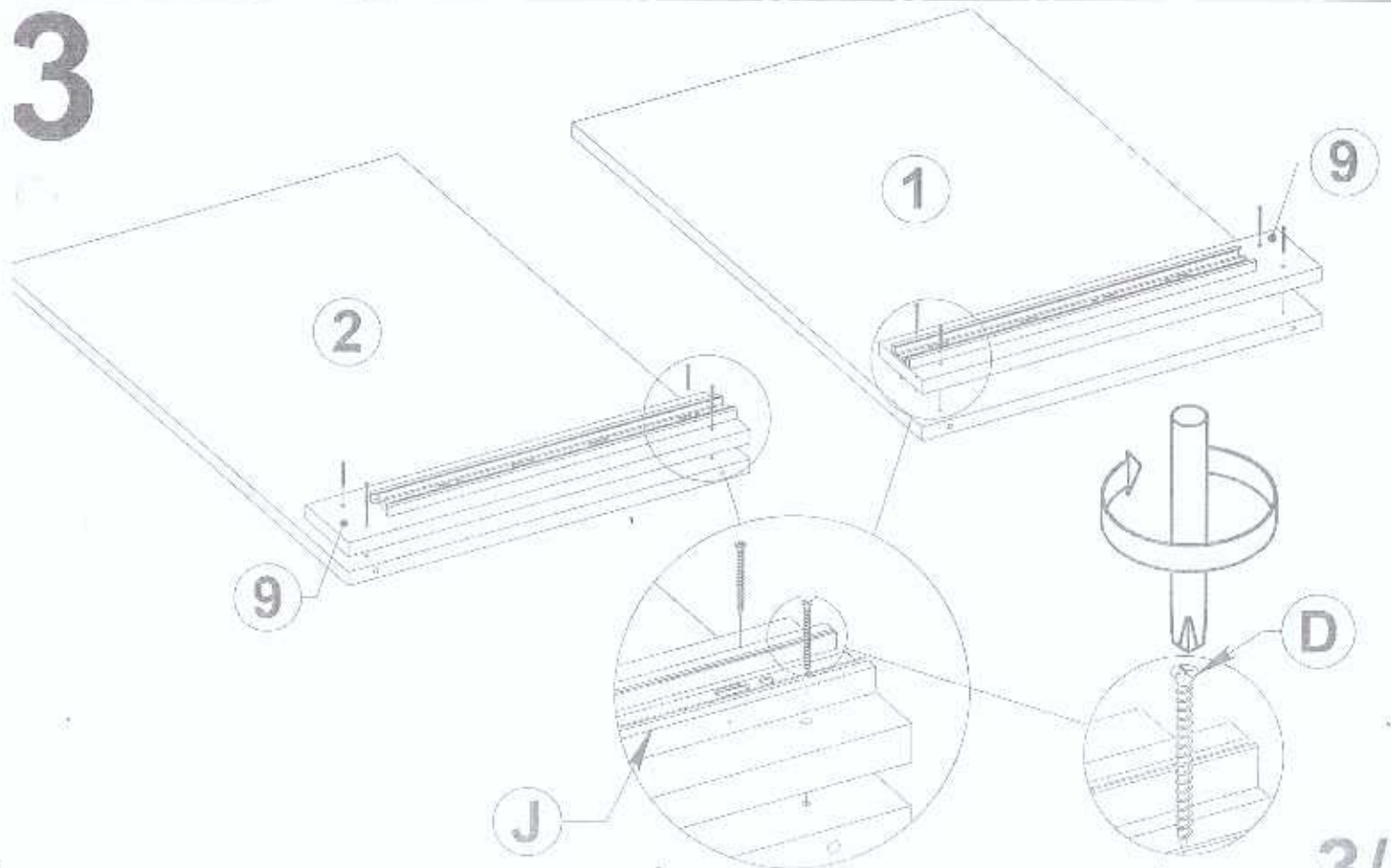
1



2

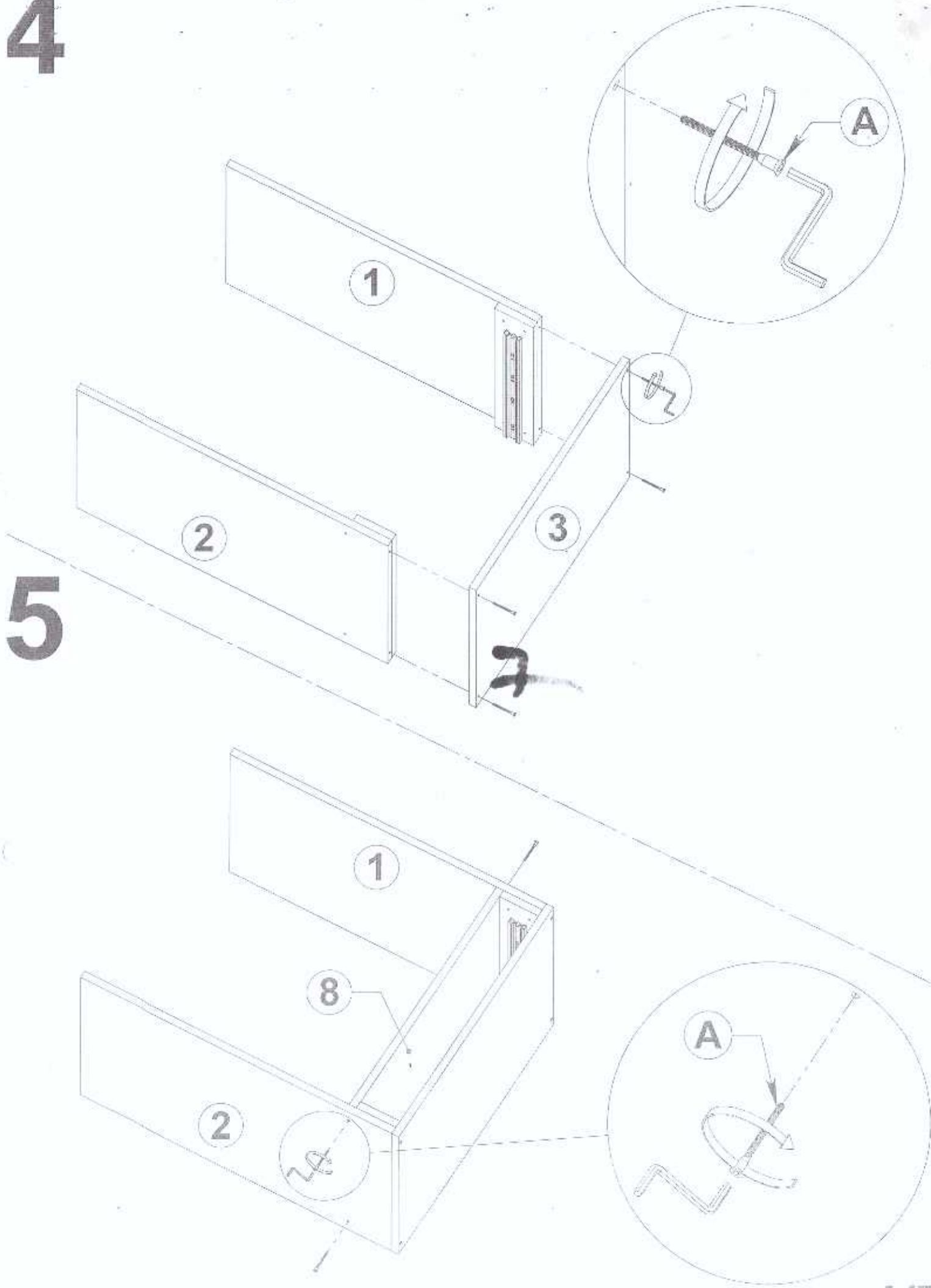


3



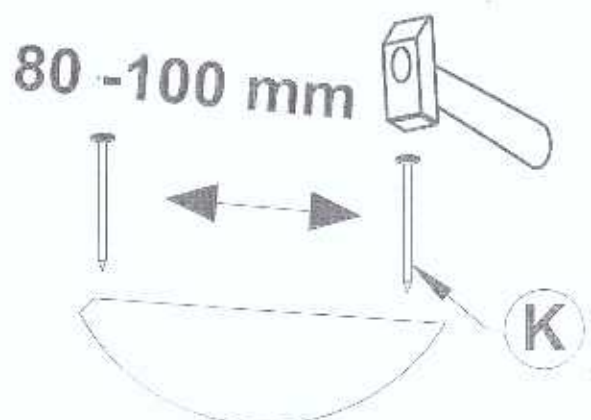
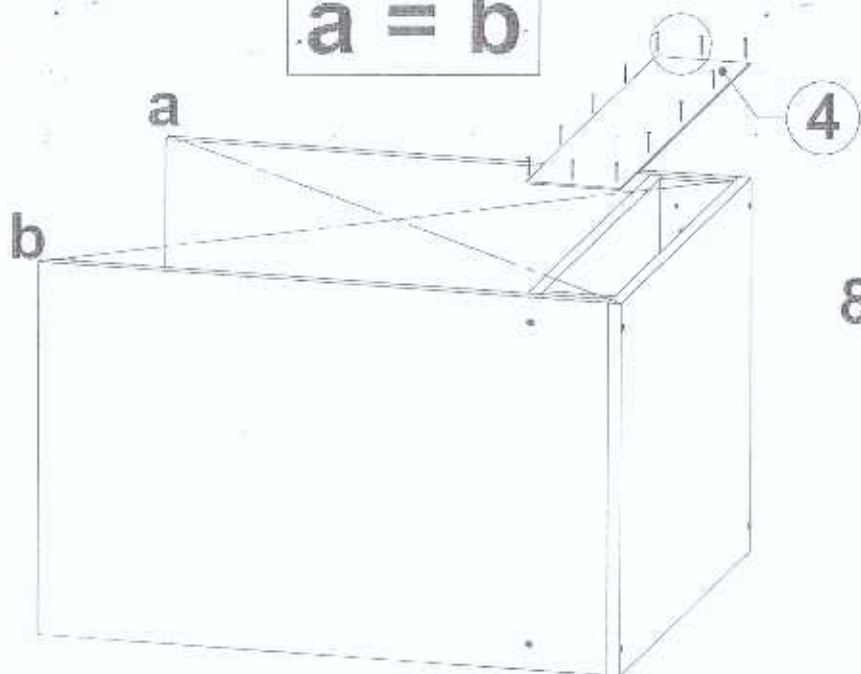
4

5

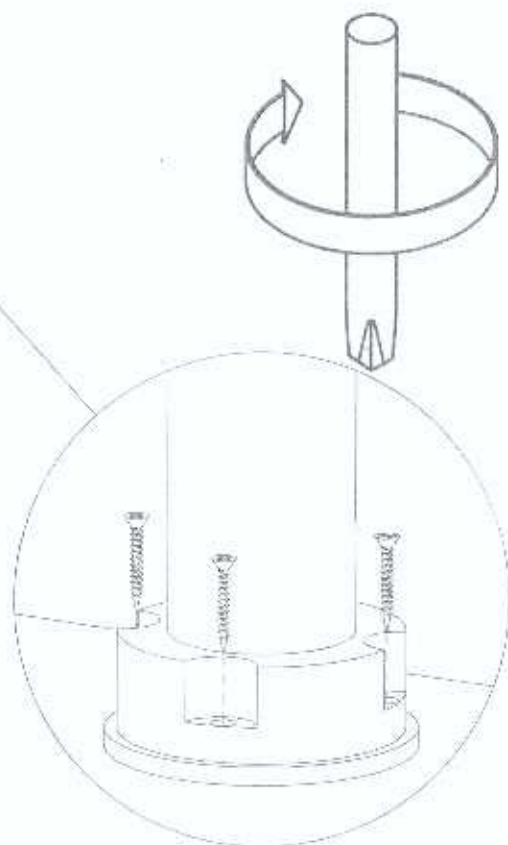
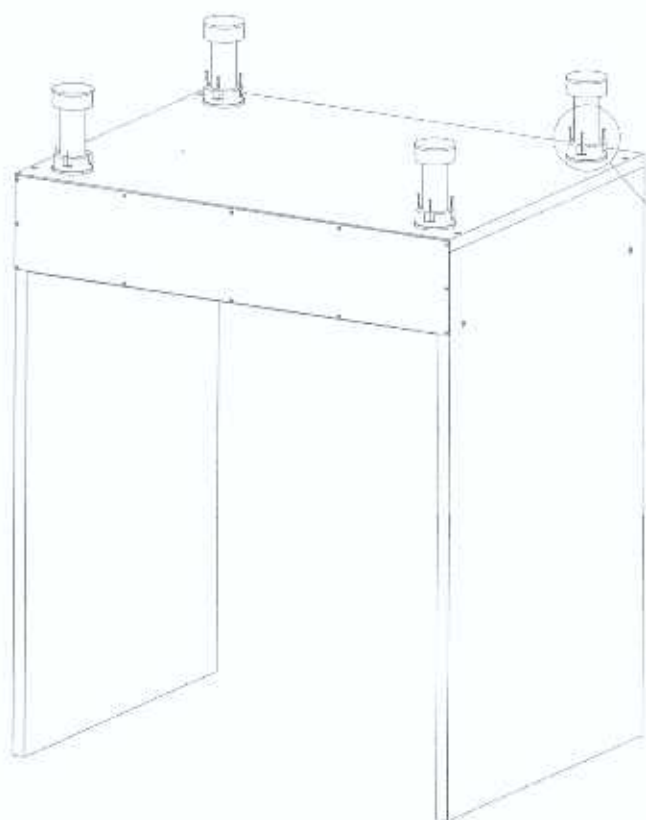


6

$a = b$



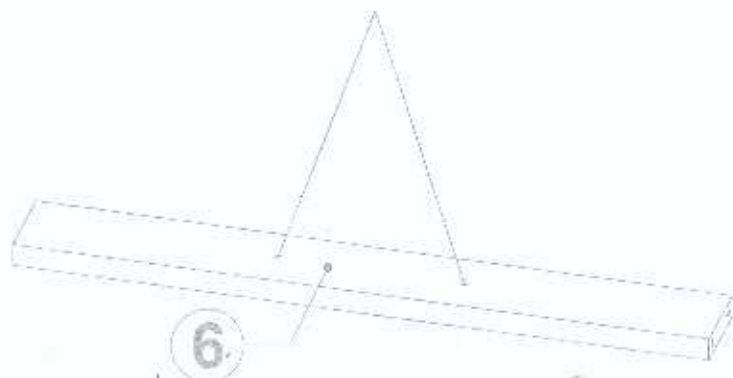
7



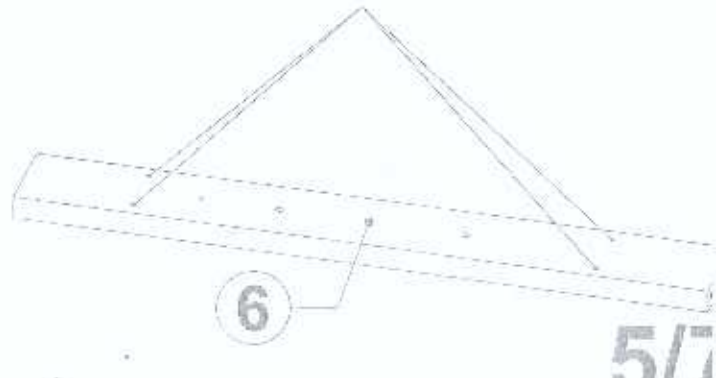
8



$\varnothing 5 \text{ mm} \nabla 16 \text{ mm}$

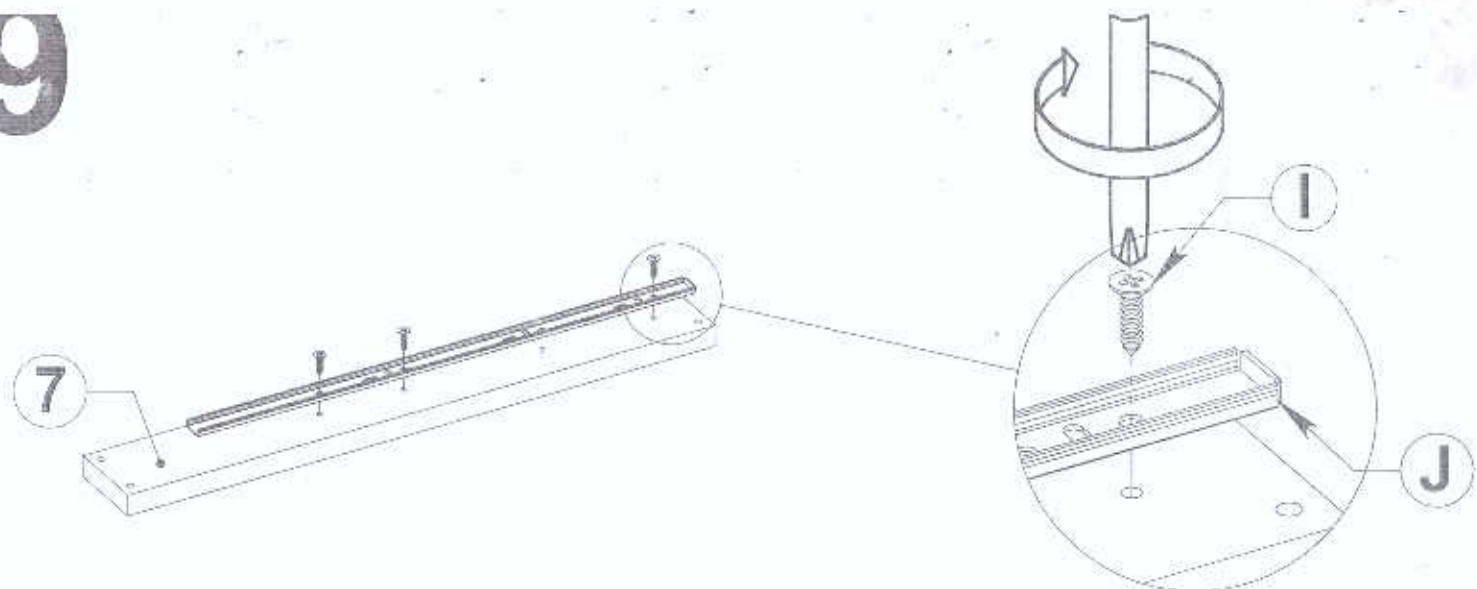


$\varnothing 4 \text{ mm} \nabla 16 \text{ mm}$

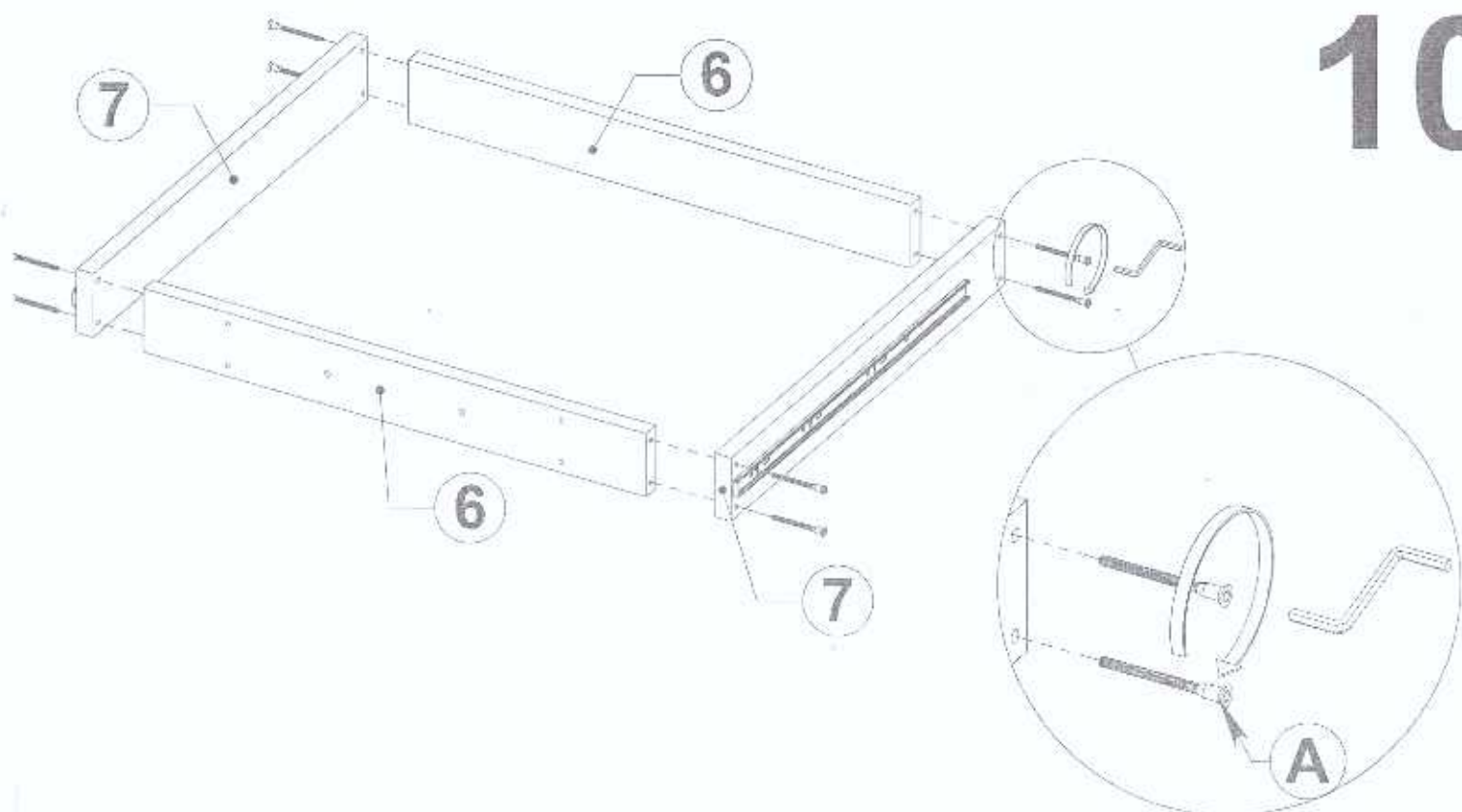


5/7

9



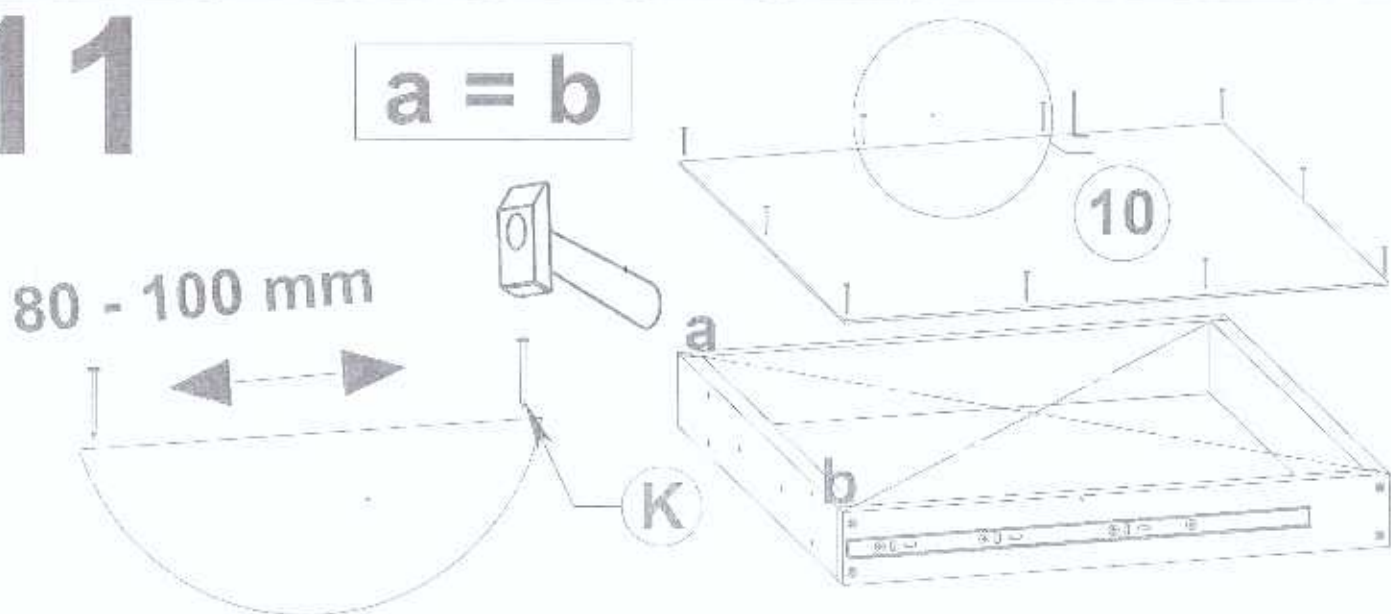
10



11

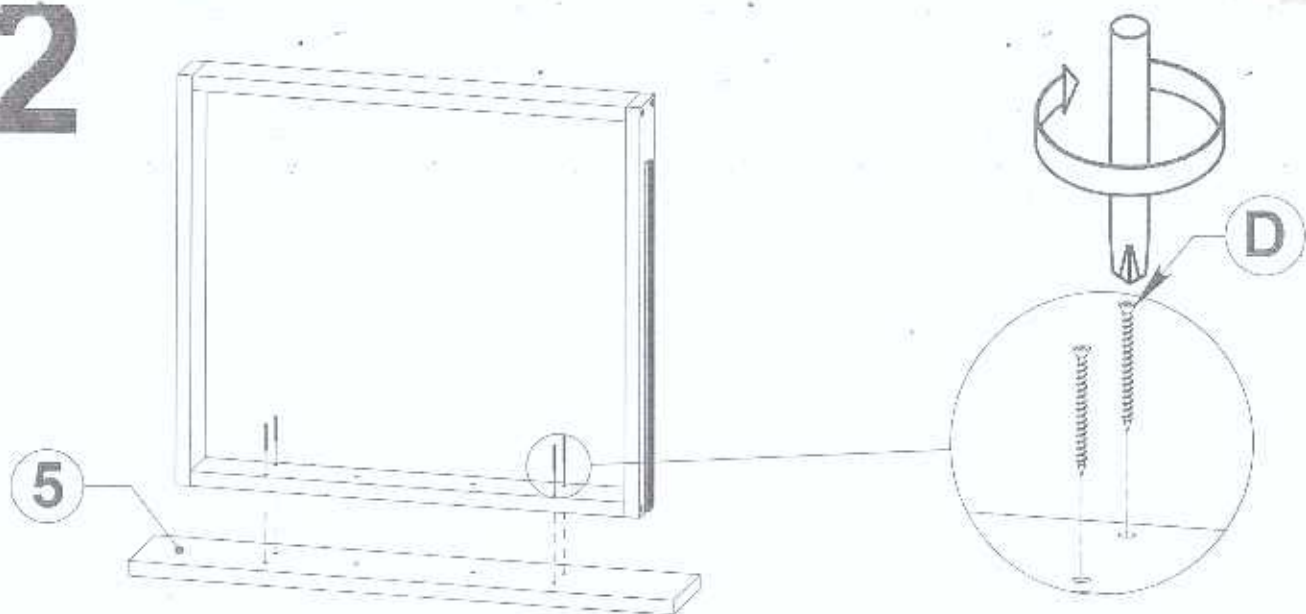
$a = b$

80 - 100 mm

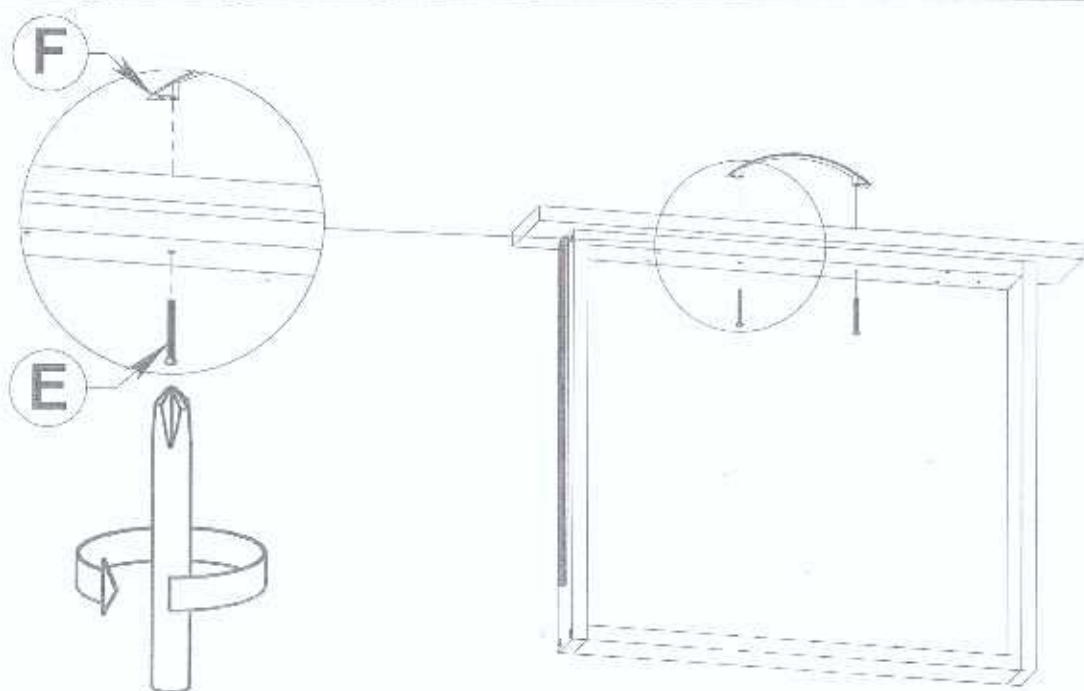


6/7

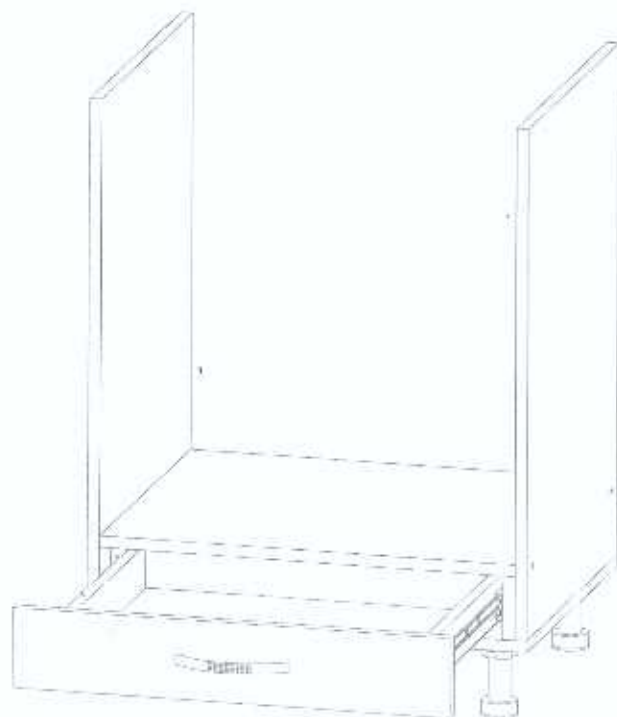
12



13




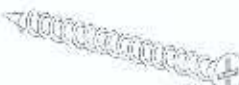




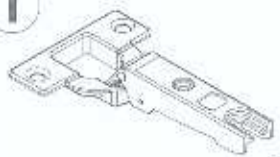



14



LOW Units



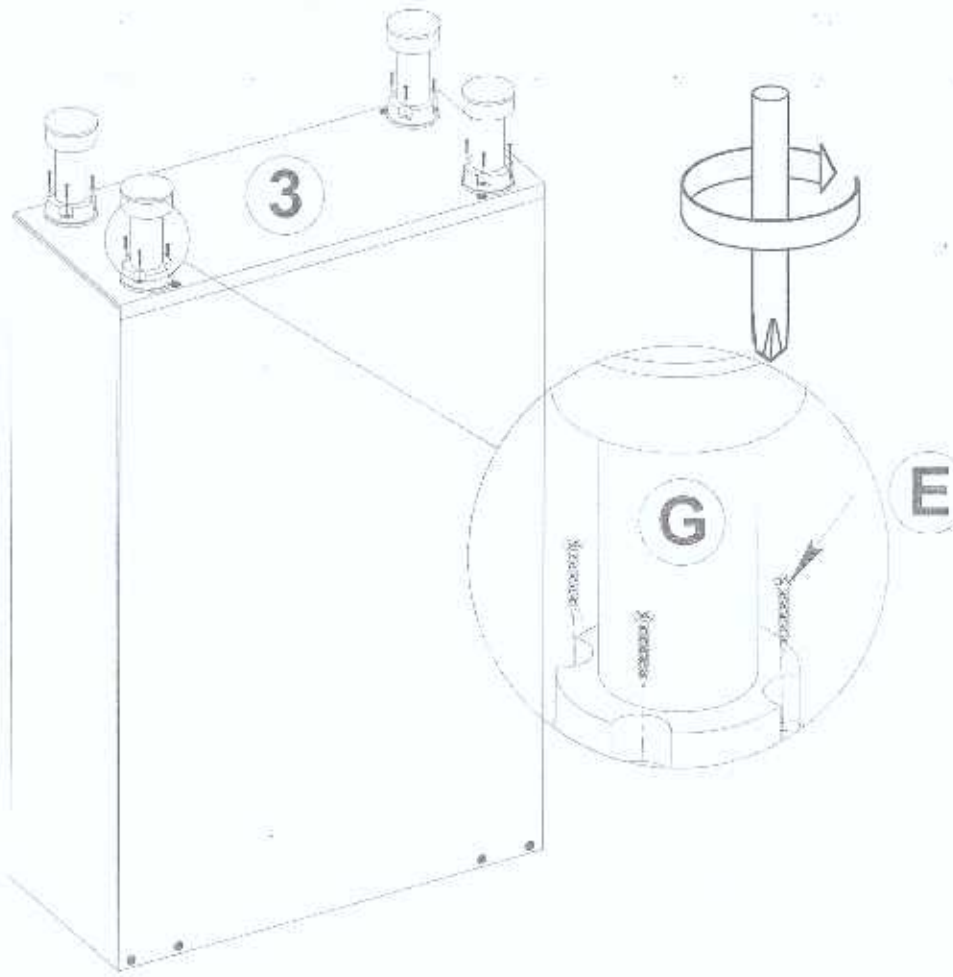
A  x12	B  x4	C  x4
D 4x30 mm  x4	E 4x16 mm  x24	F  x15
G  x4	H  x1	I  x2
J  x2	9	

№ H 20/82 H 30/82 H 35/82 H 40/82 H 45/82 H 50/82 H 60/82 X

①	704x460	704x460	704x460	704x460	704x460	704x460	704x460	1
②	704x460	704x460	704x460	704x460	704x460	704x460	704x460	1
③	200x460	300x460	350x460	400x460	450x460	500x460	600x460	1
④	168x80	268x80	318x80	368x80	418x80	468x80	568x80	2
⑤	714x198	714x298	714x348	714x398	714x448	714x298	714x298	1
⑥	-	-	-	-	-	714x198	714x298	1
⑦	166x440	266x440	316x440	366x440	416x440	466x440	566x440	1
⑧	713x196	713x296	713x346	713x396	713x446	713x496	713x596	1
⑨	-	-	-	-	-	-	-	1

G40-KT-031-A

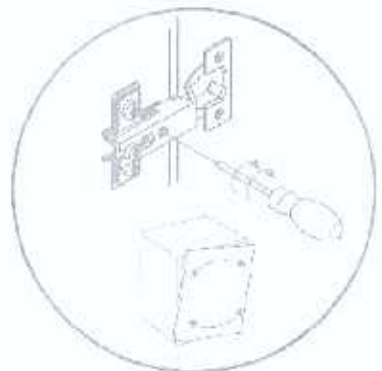
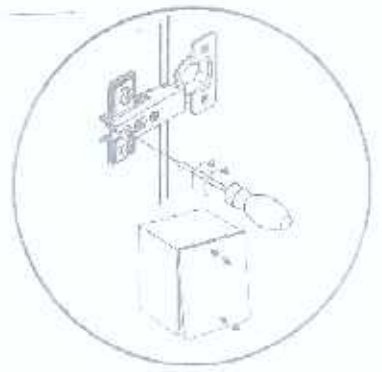
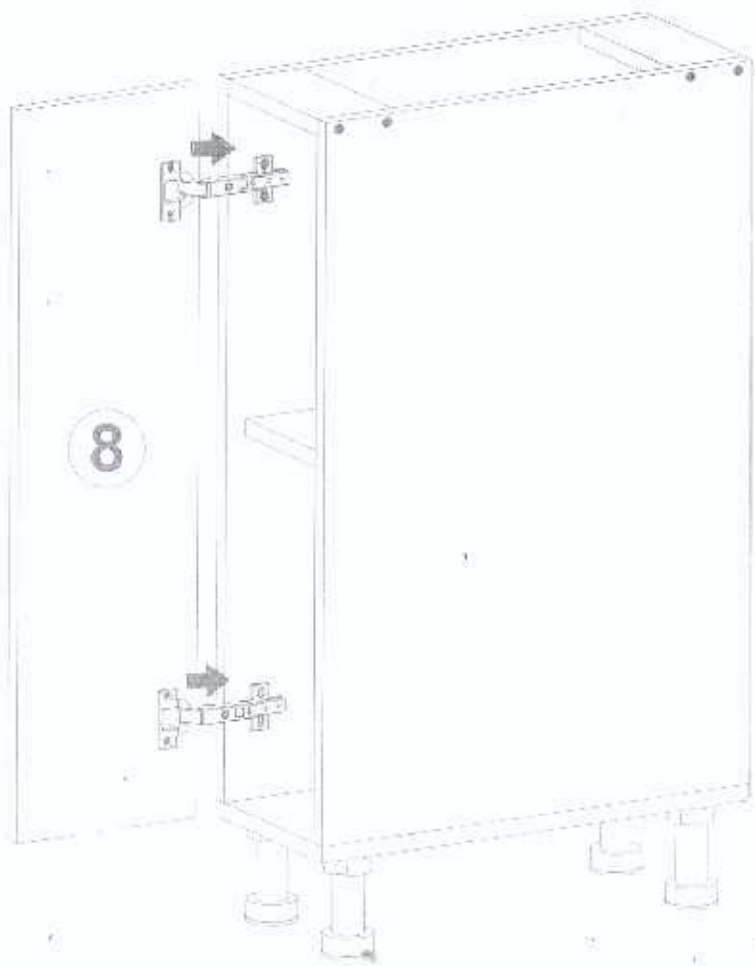
7



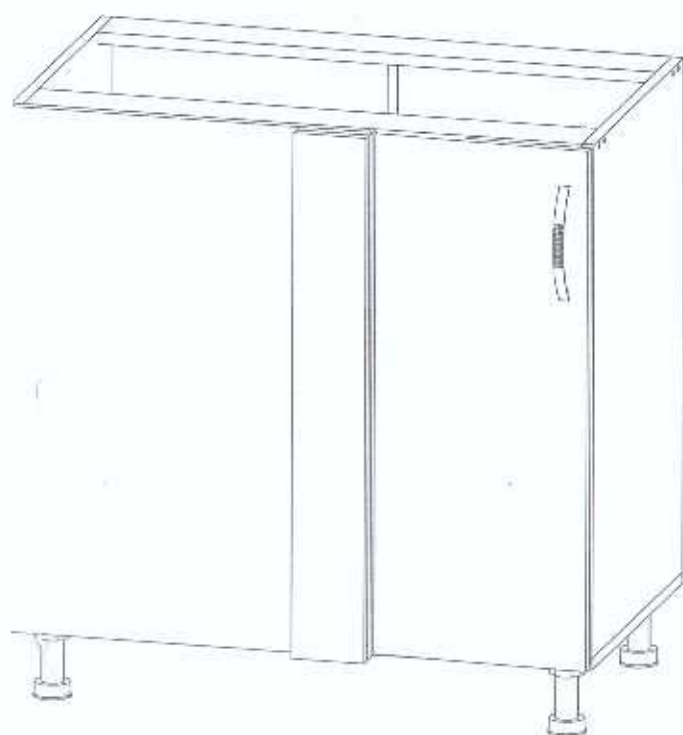
8


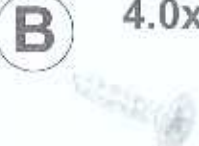











9

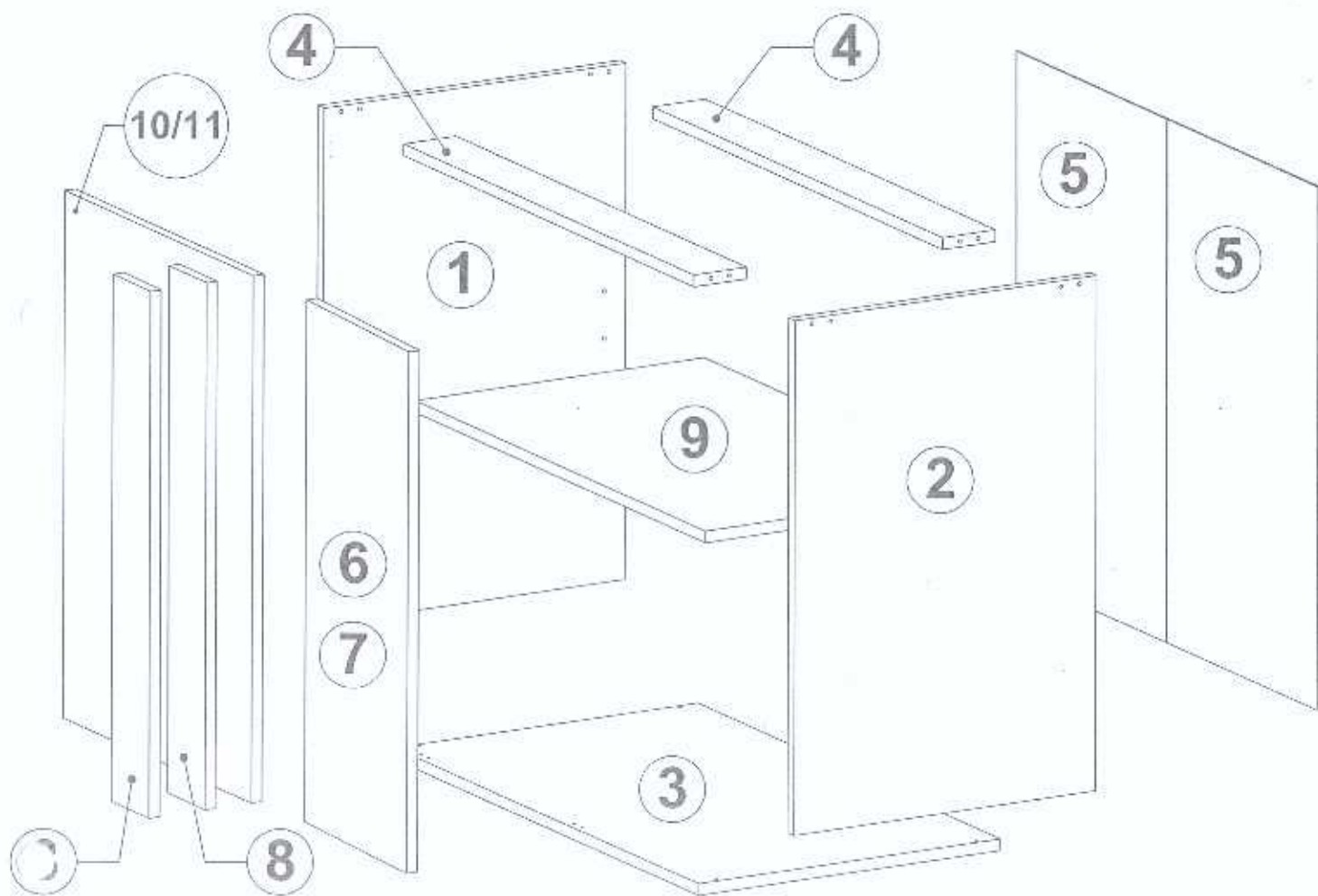


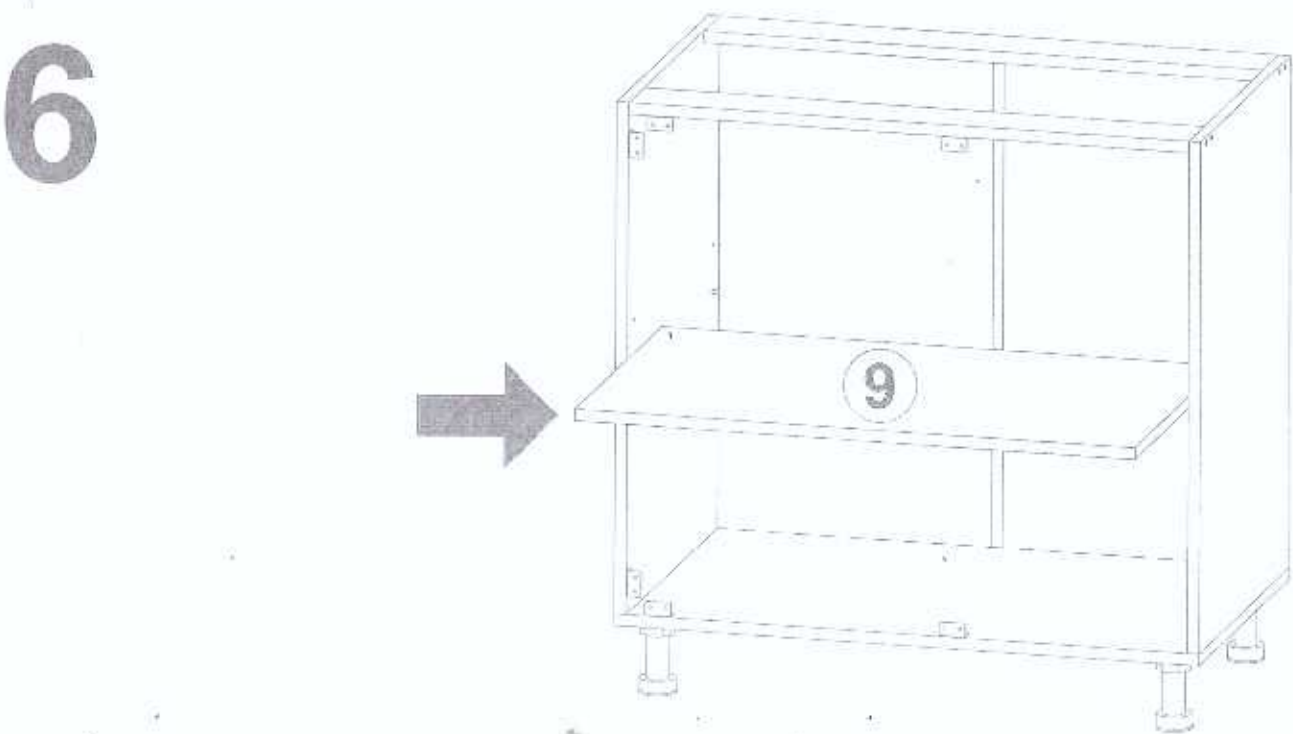
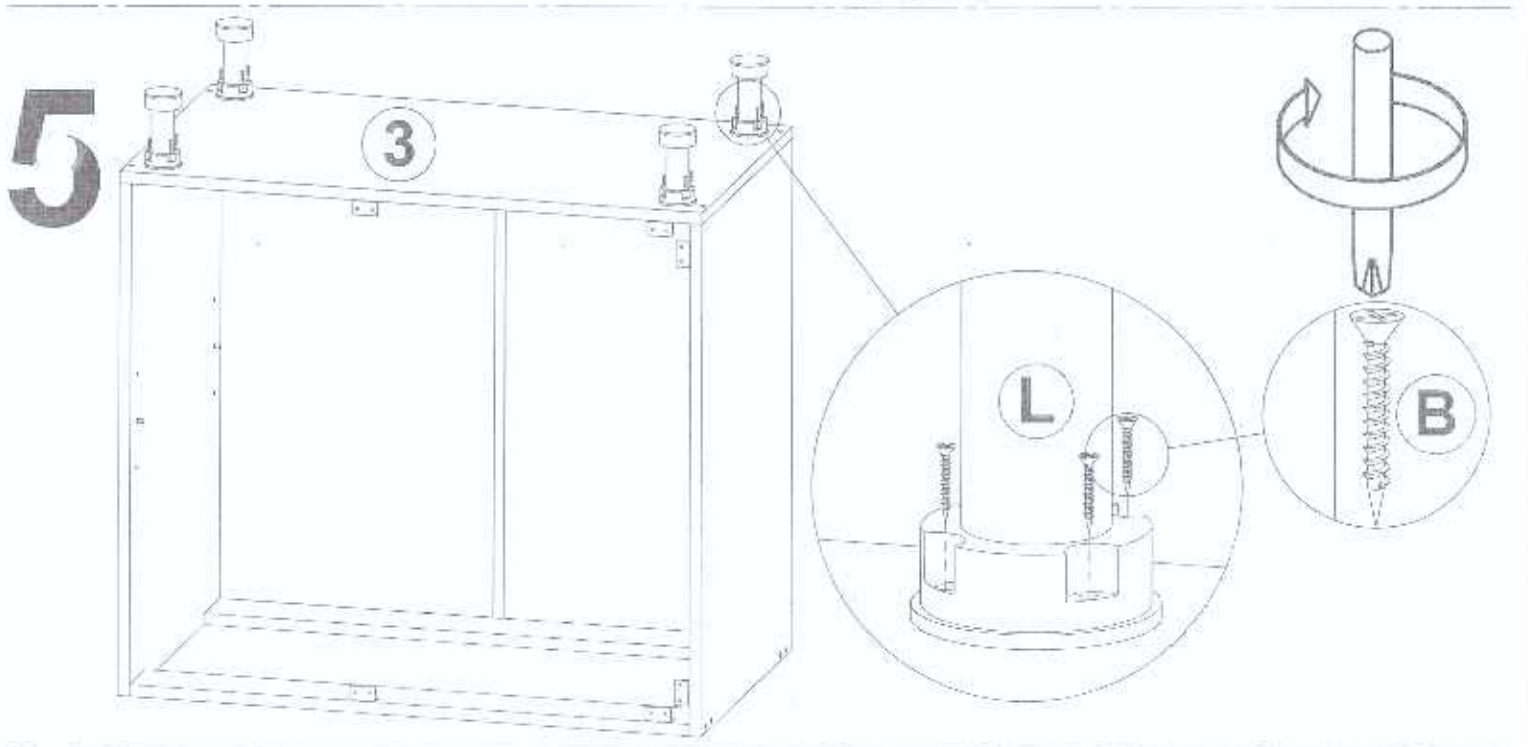
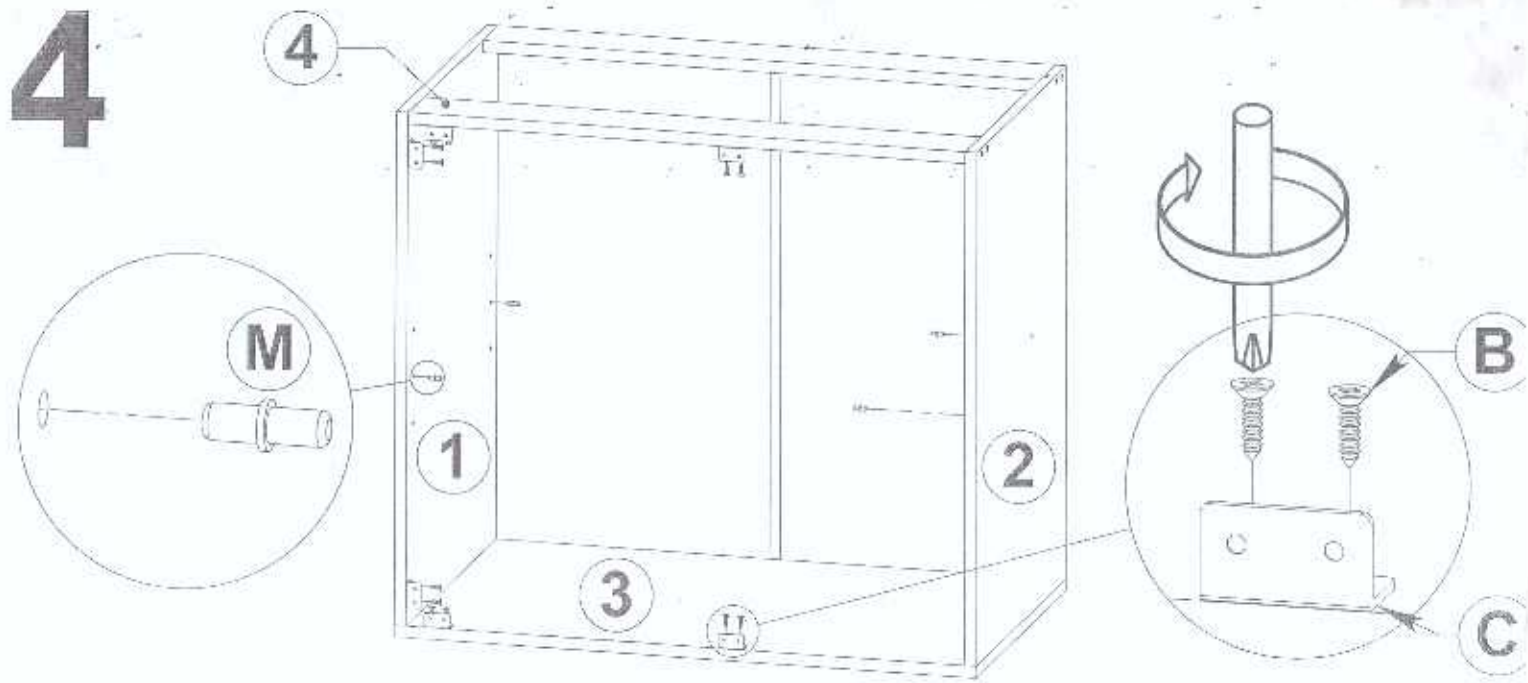
LOW Units



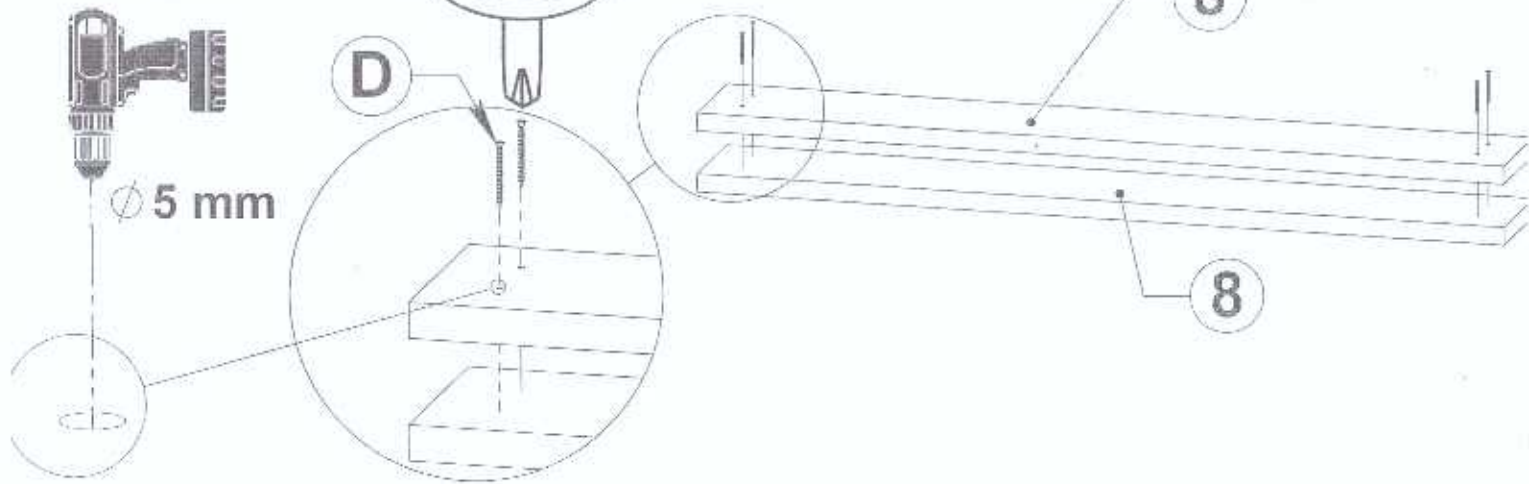
A  x16	B 4.0x16  x48	C  x6
D 4.0x30  x12	E 4x40  x2	F  x1
J  x1	K  15	L  x4
I 3.5x16  x2	M  x4	

No		X
①	704x460	1
②	704x460	1
③	800x460	1
④	768x80	2
⑤	714x398	2
⑥	713x296*	1
⑦	713x396*	1
⑧	720x100	2
⑨	766x440	1
⑩	720x500*	1
⑪	720x400*	1

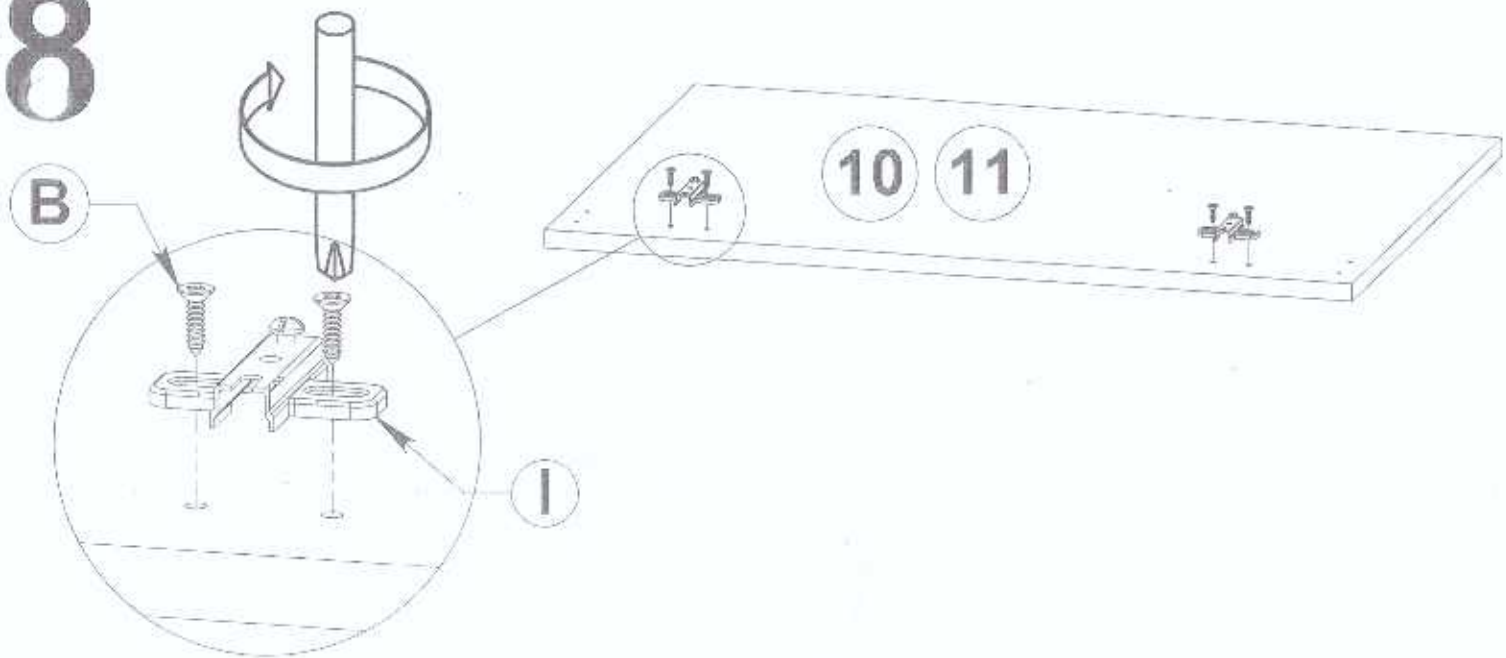




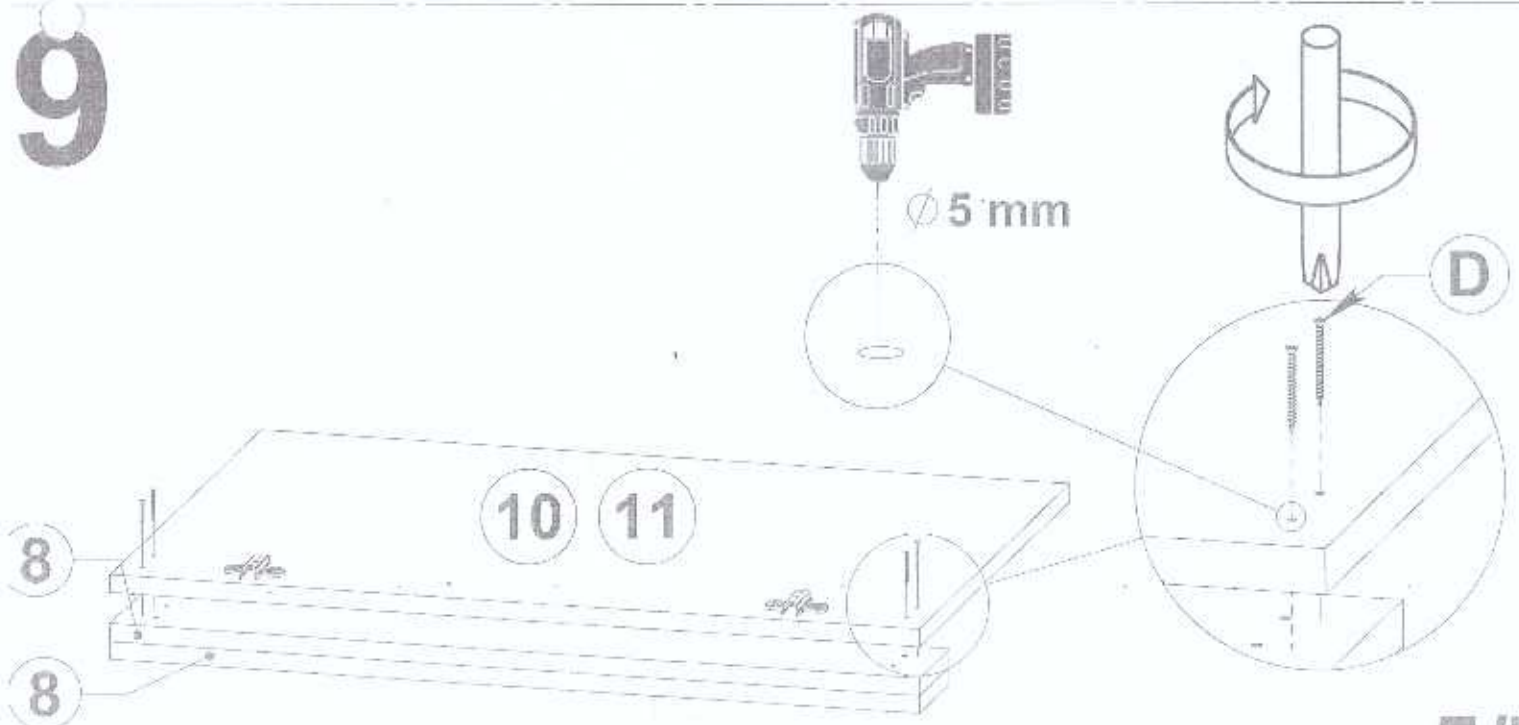
7



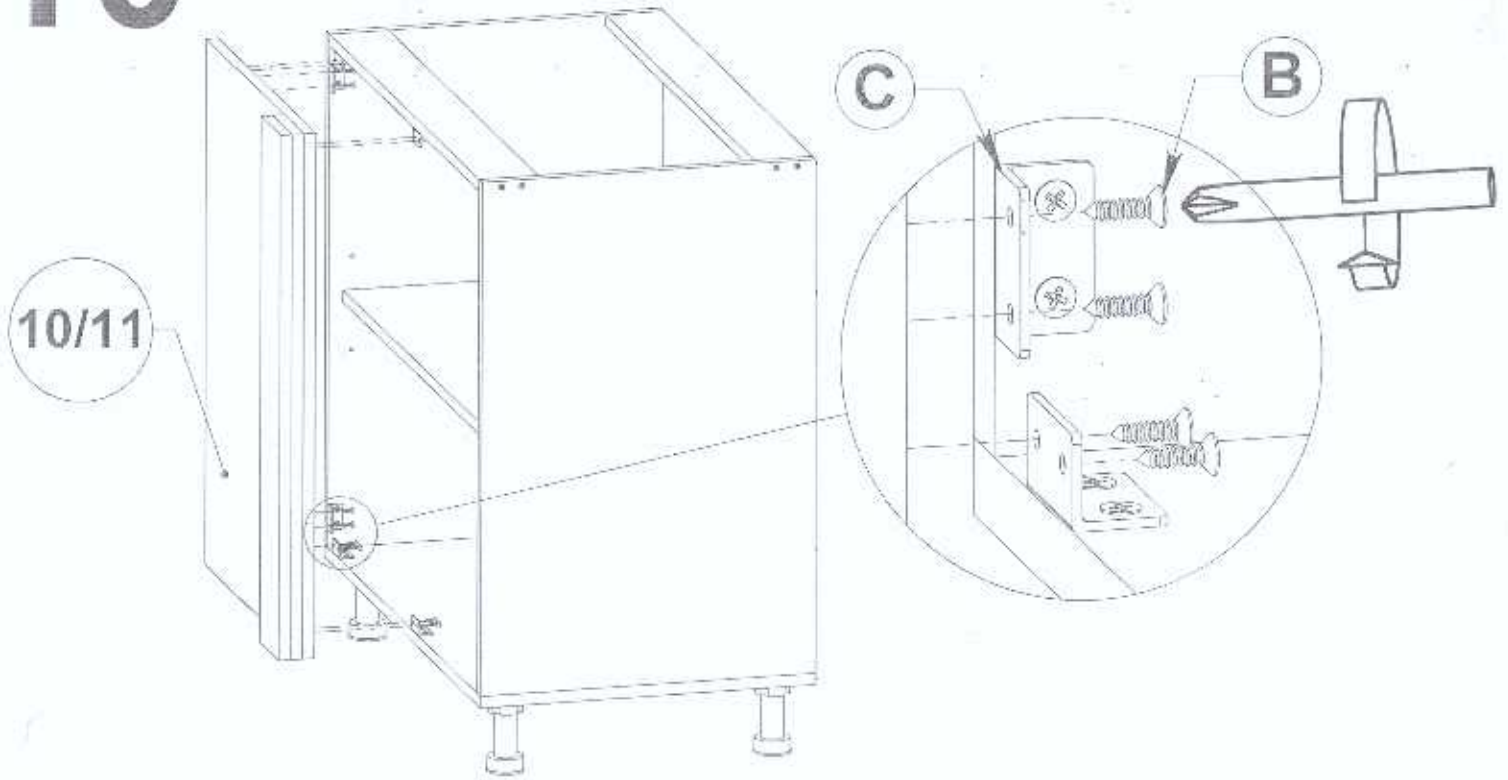
8



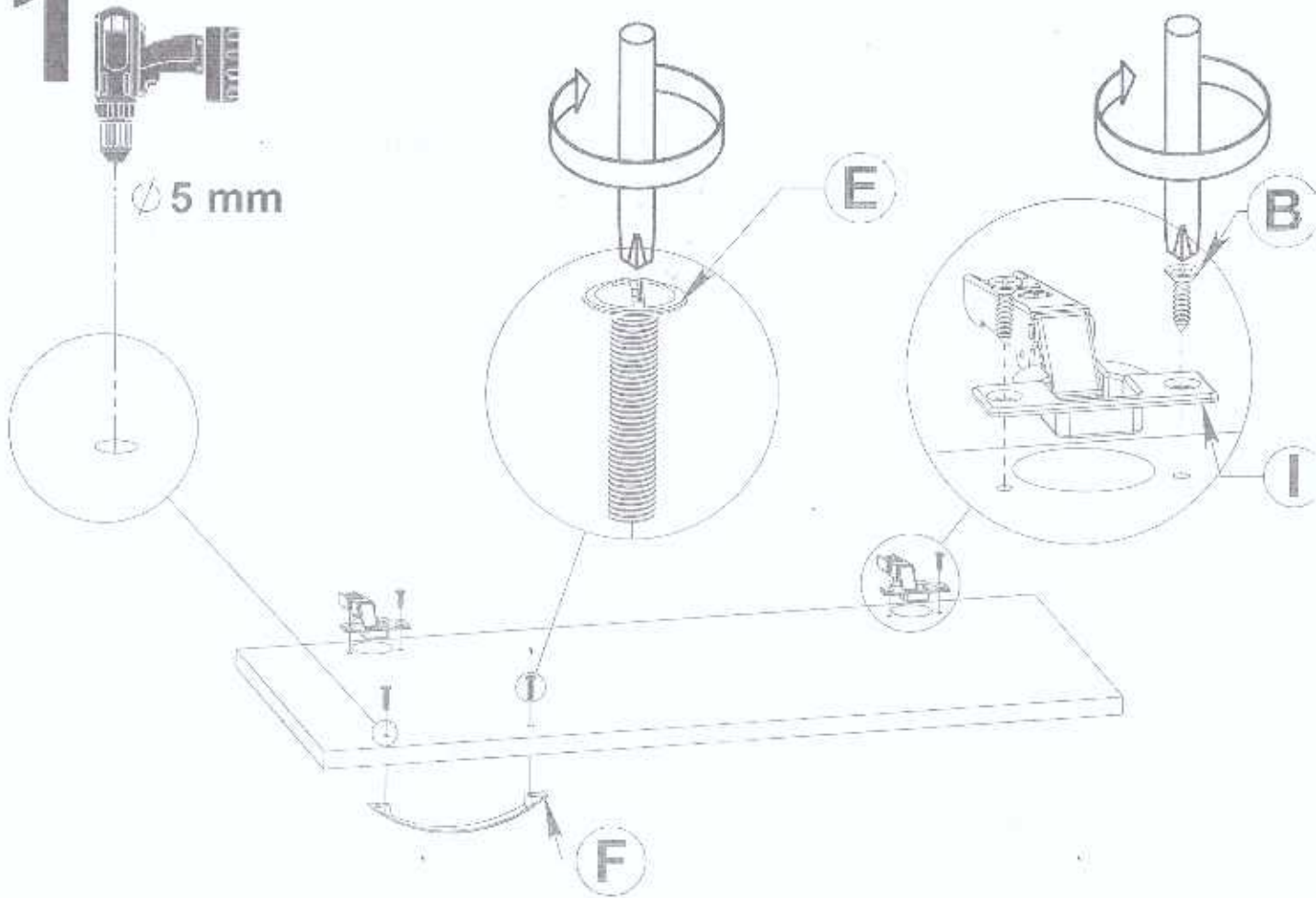
9



10

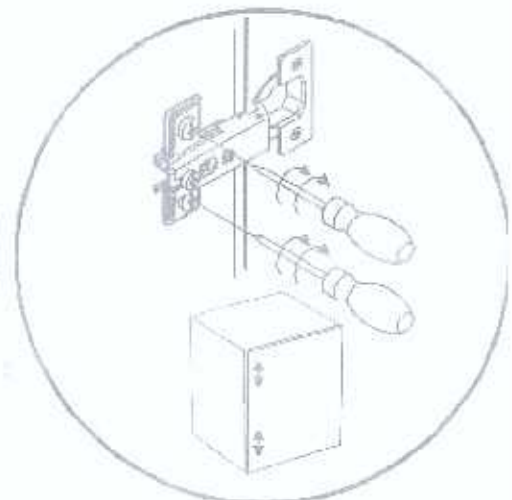
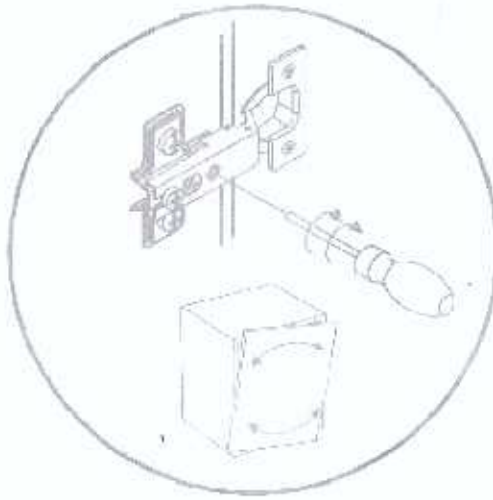
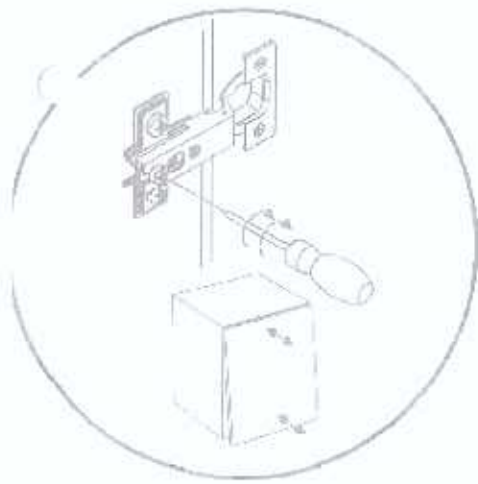
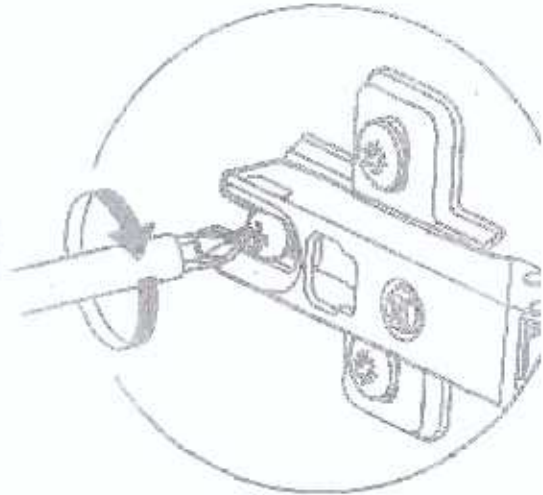
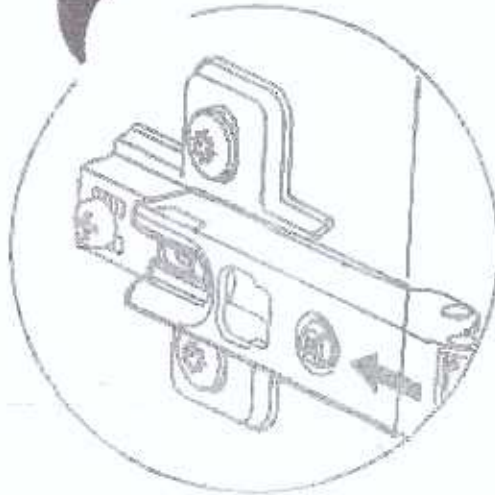
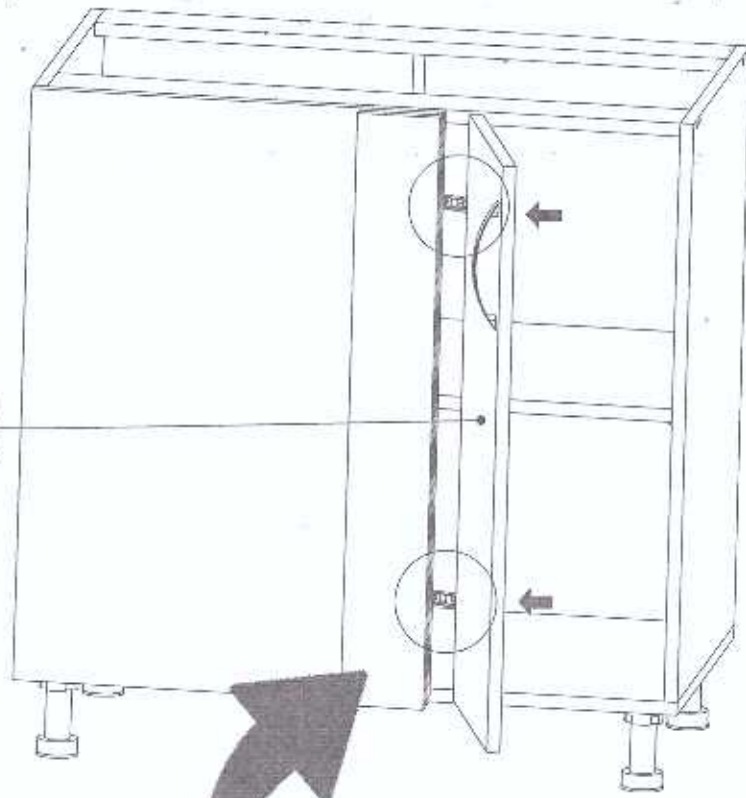


11

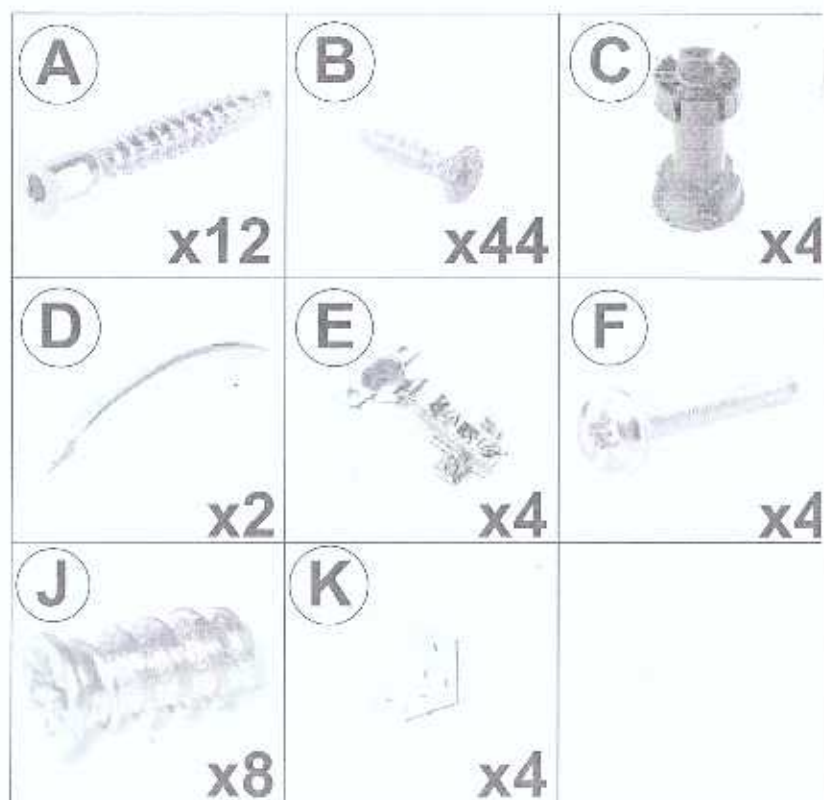
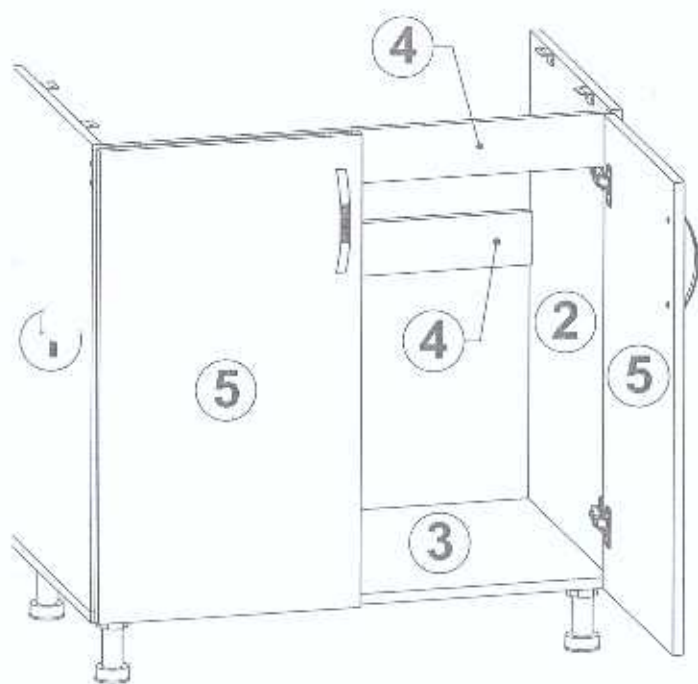


12

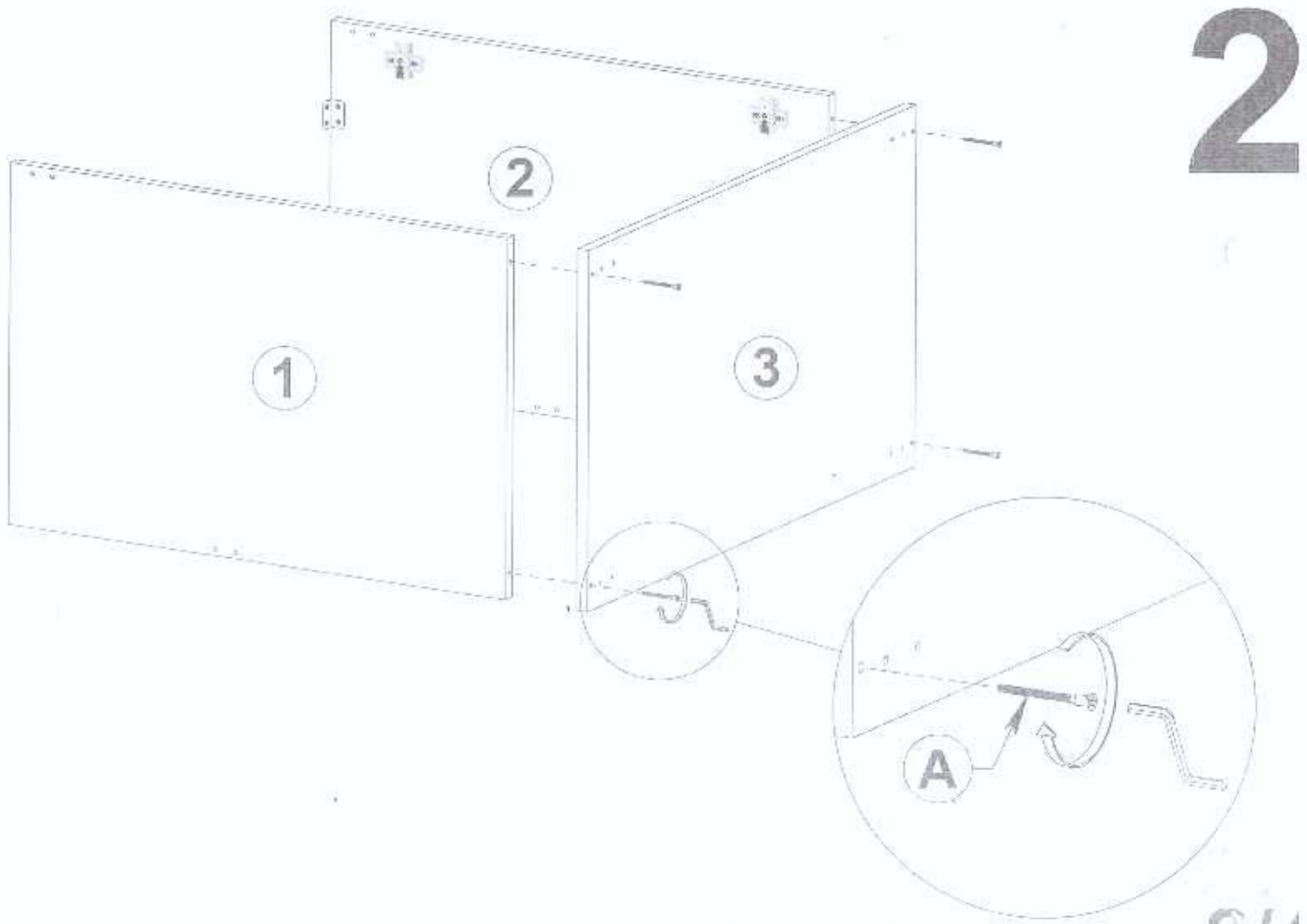
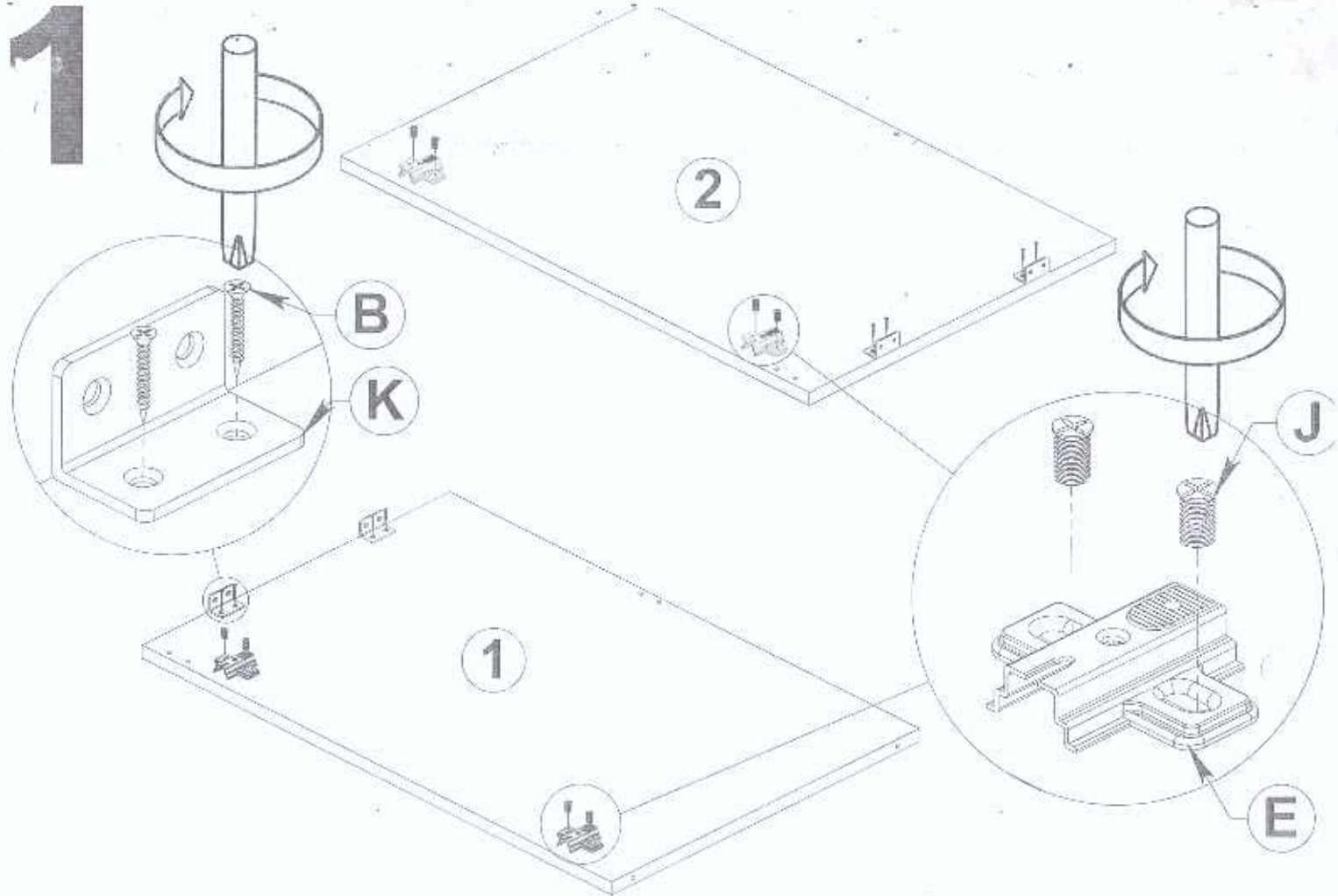
6/7

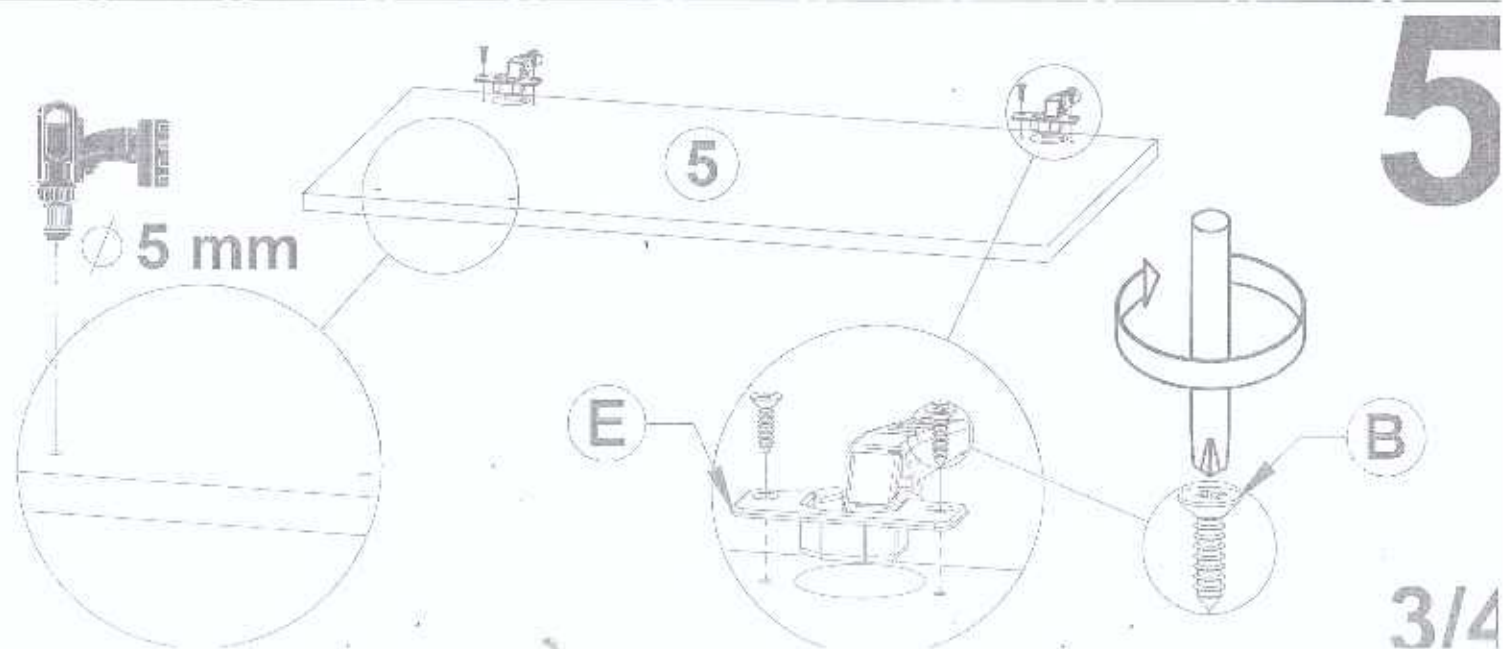
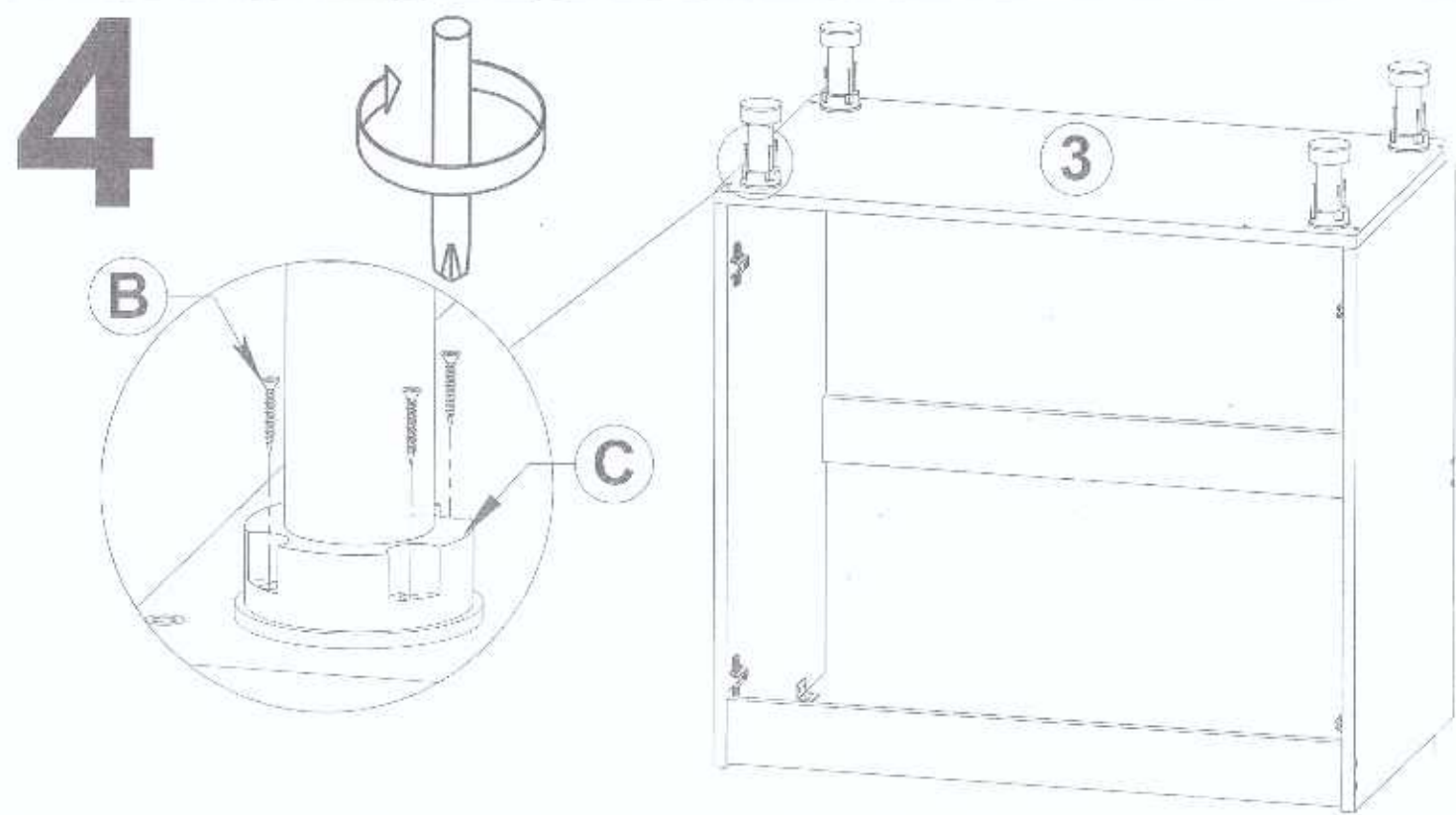
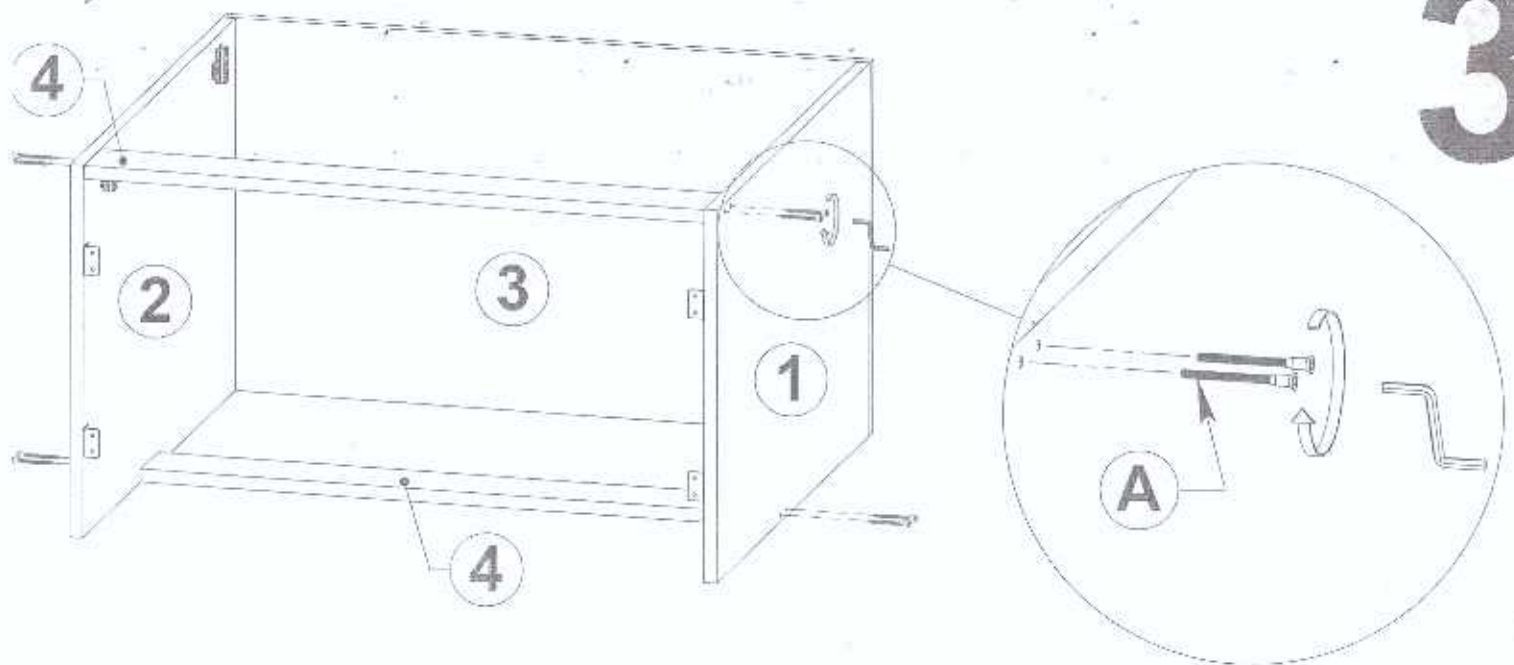


LOW Units

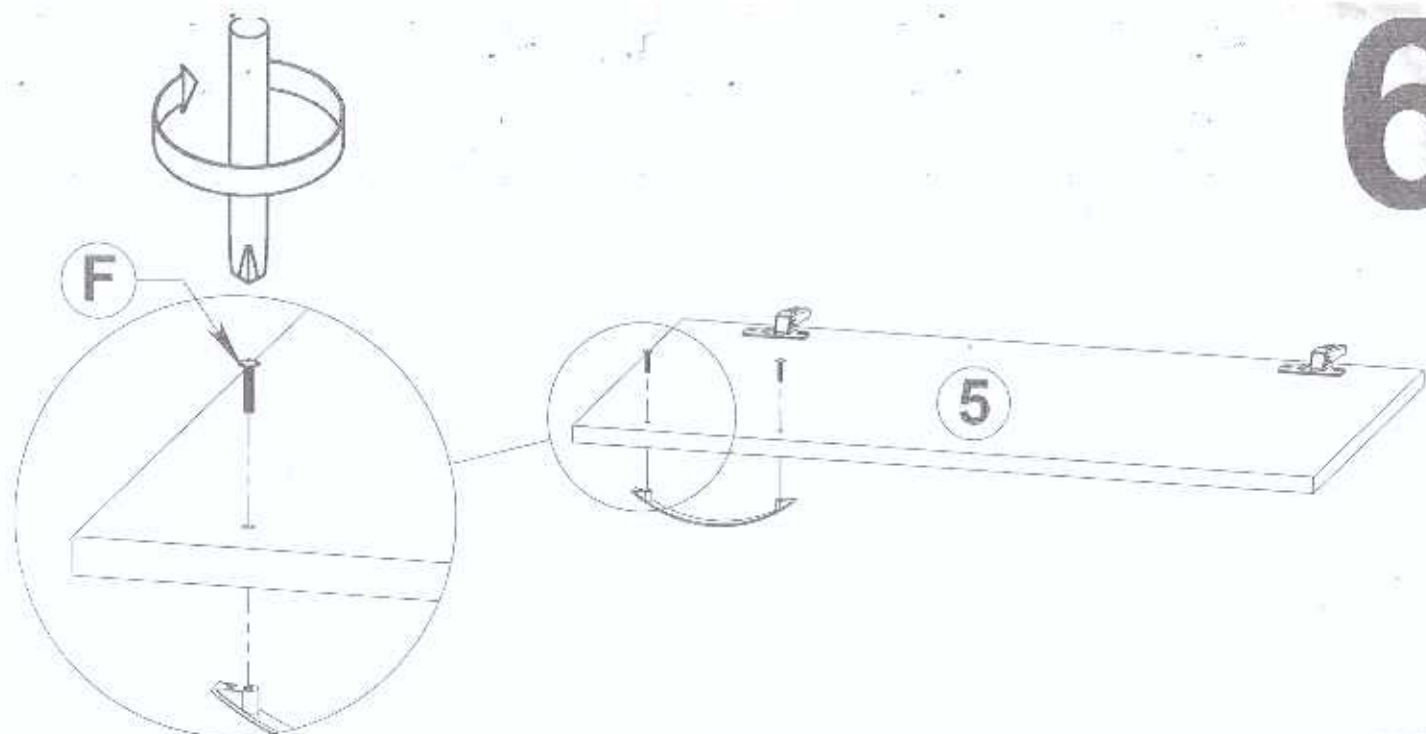


No	60/82	70/82	80/82	X
①	704x460	704x460	704x460	1
②	704x460	704x460	704x460	1
③	600x460	700x460	800x460	1
④	568x80	668x80	768x80	2
⑤	713x296	713x346	713x396	2

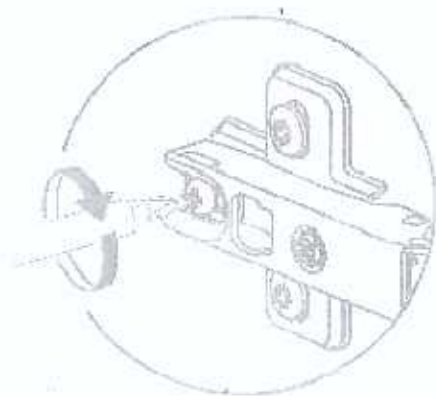
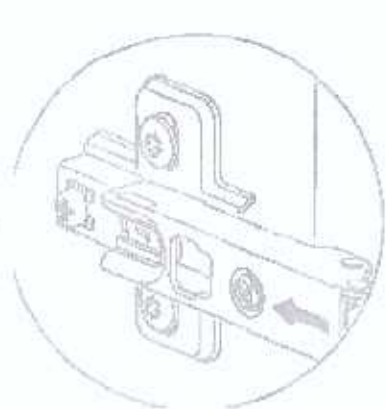
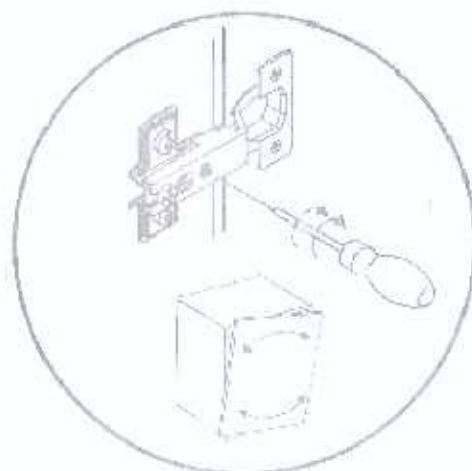
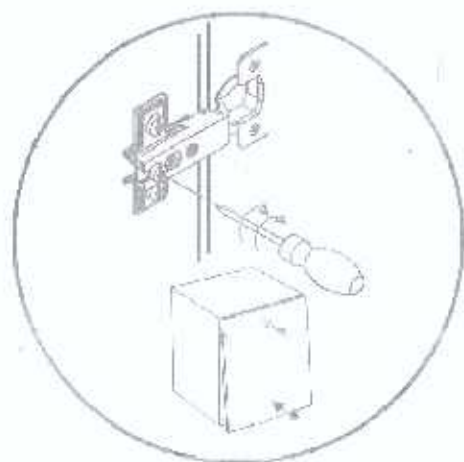
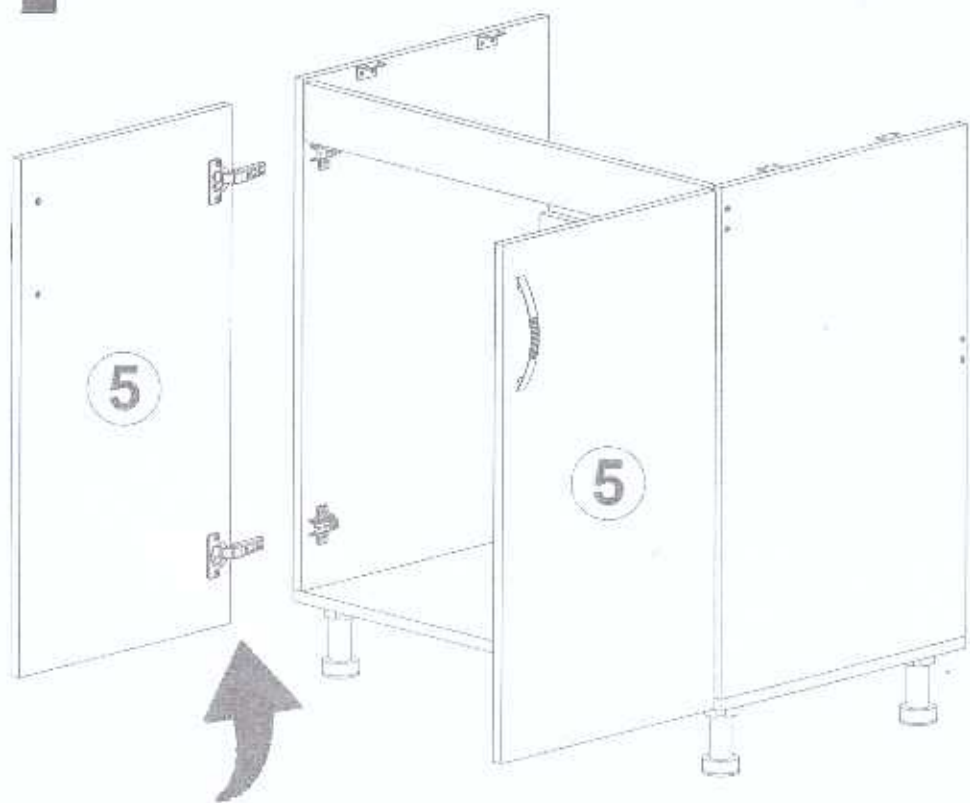




6

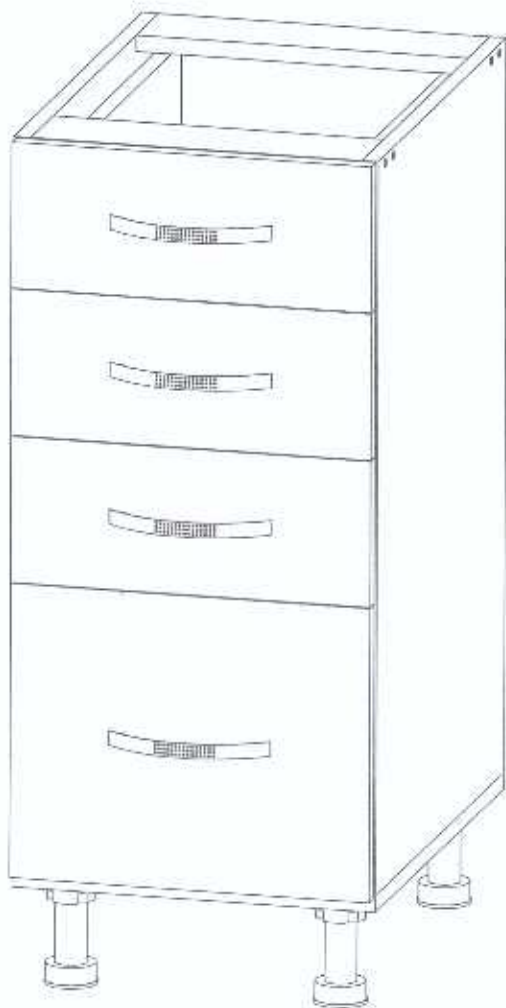




7



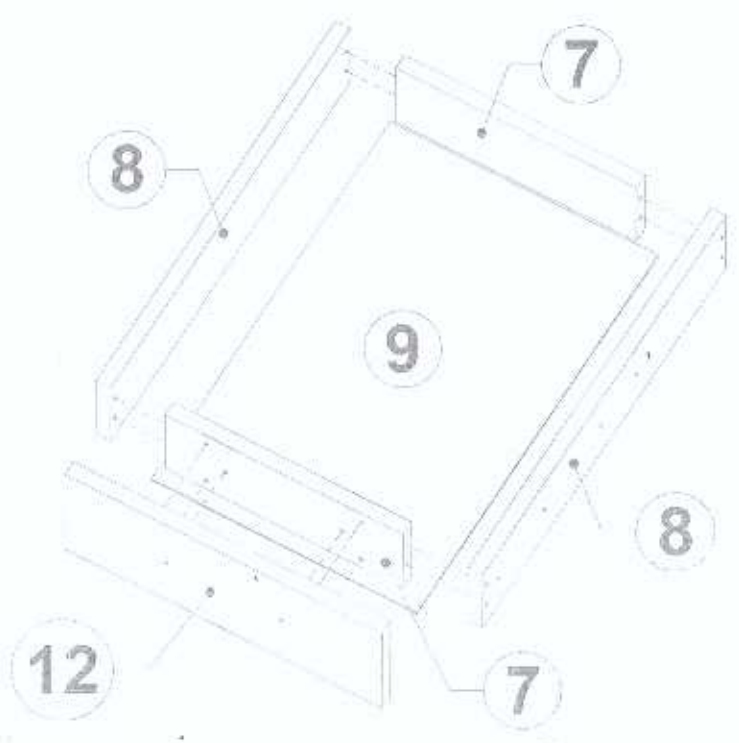
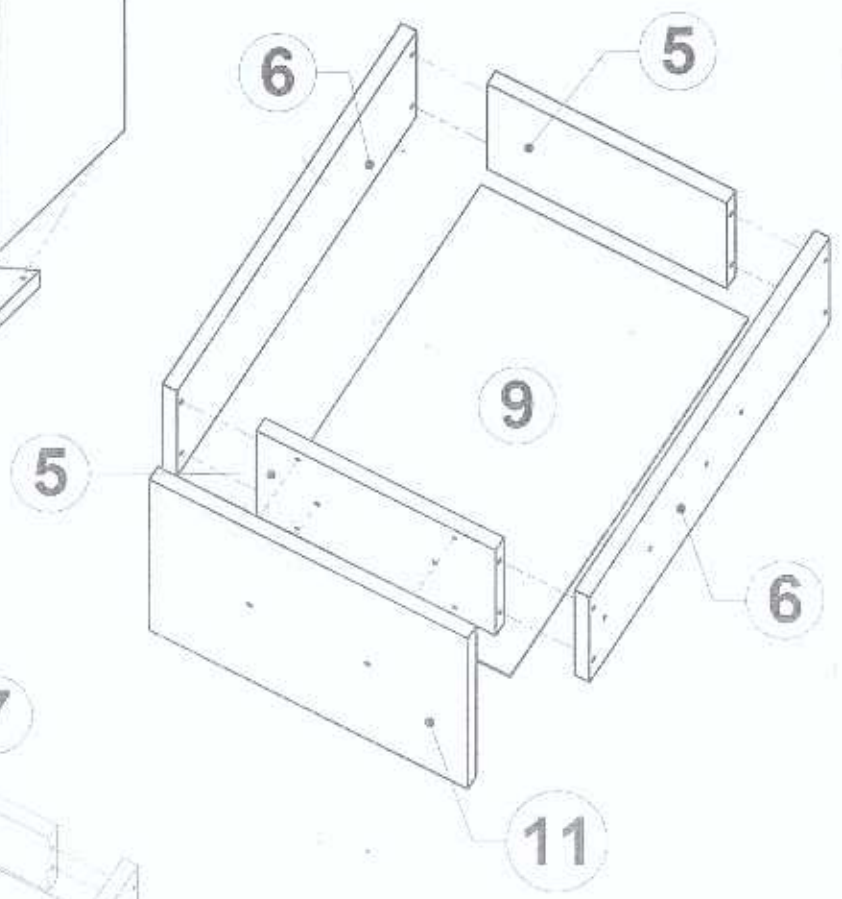
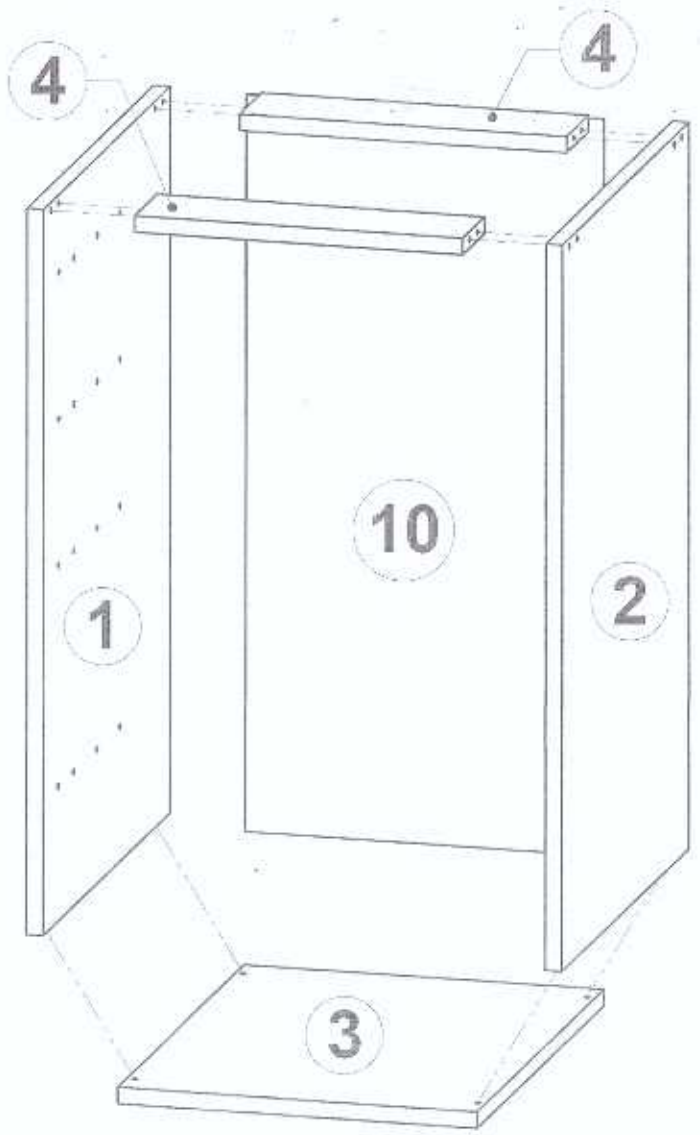
4/4

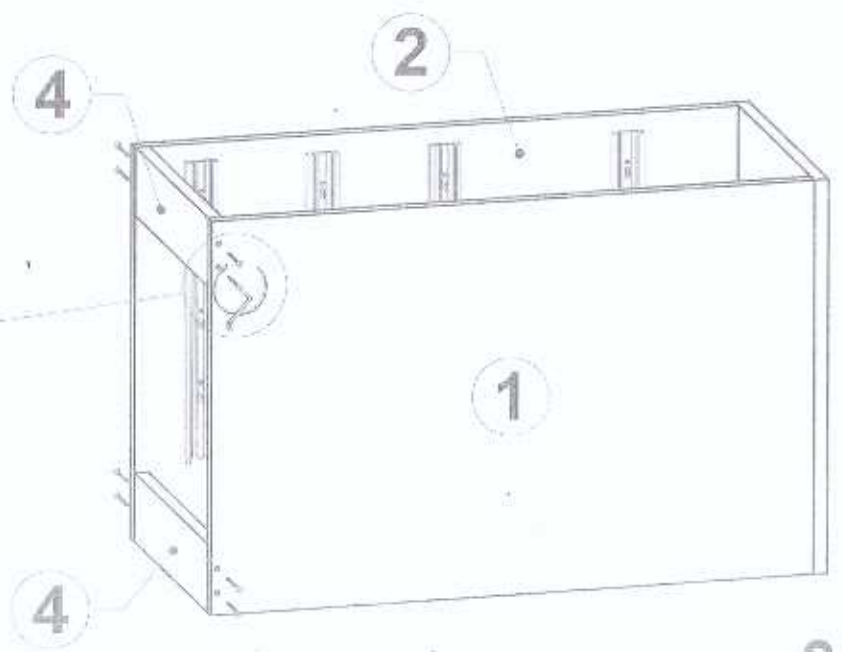
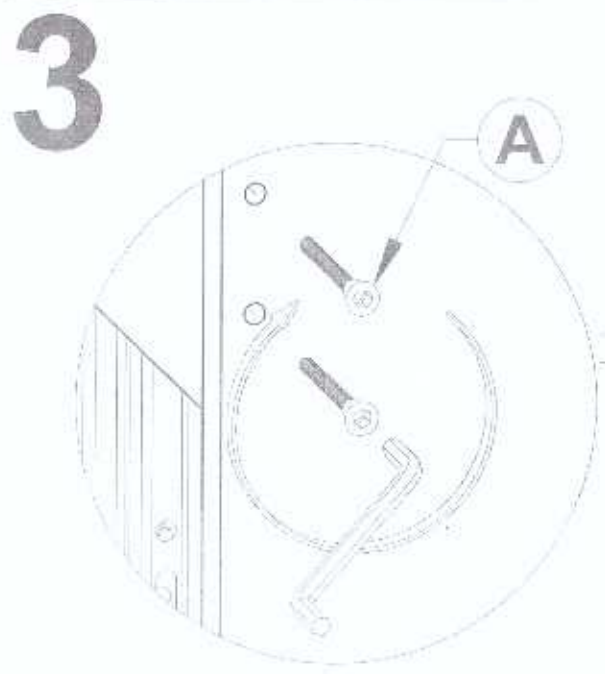
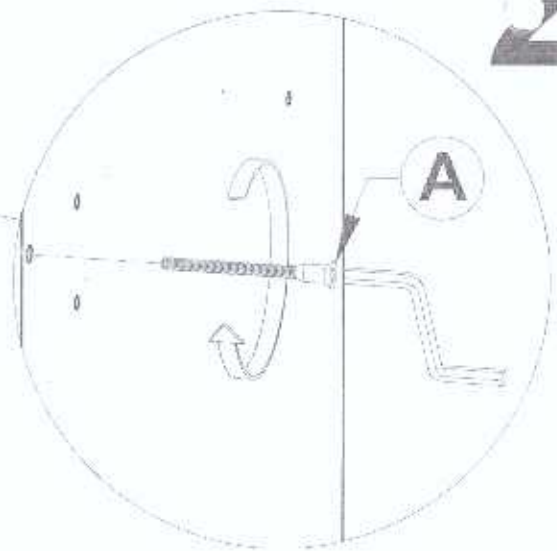
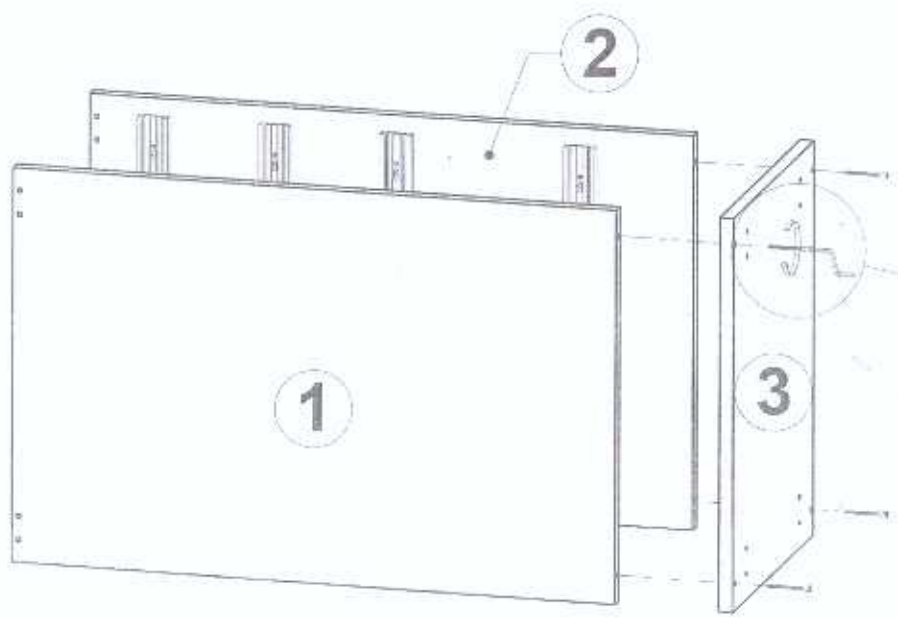
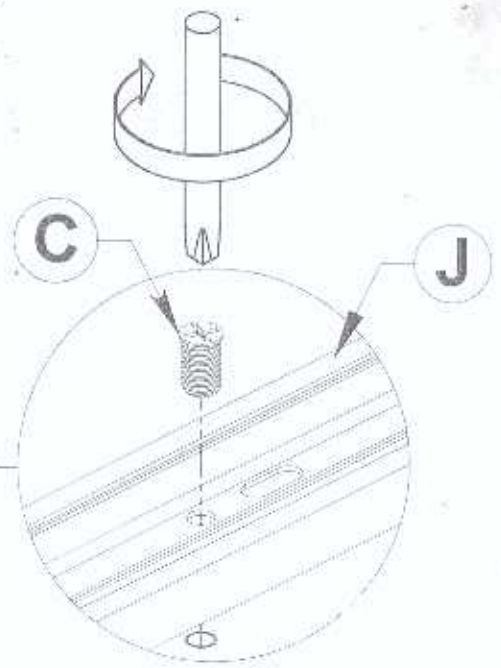
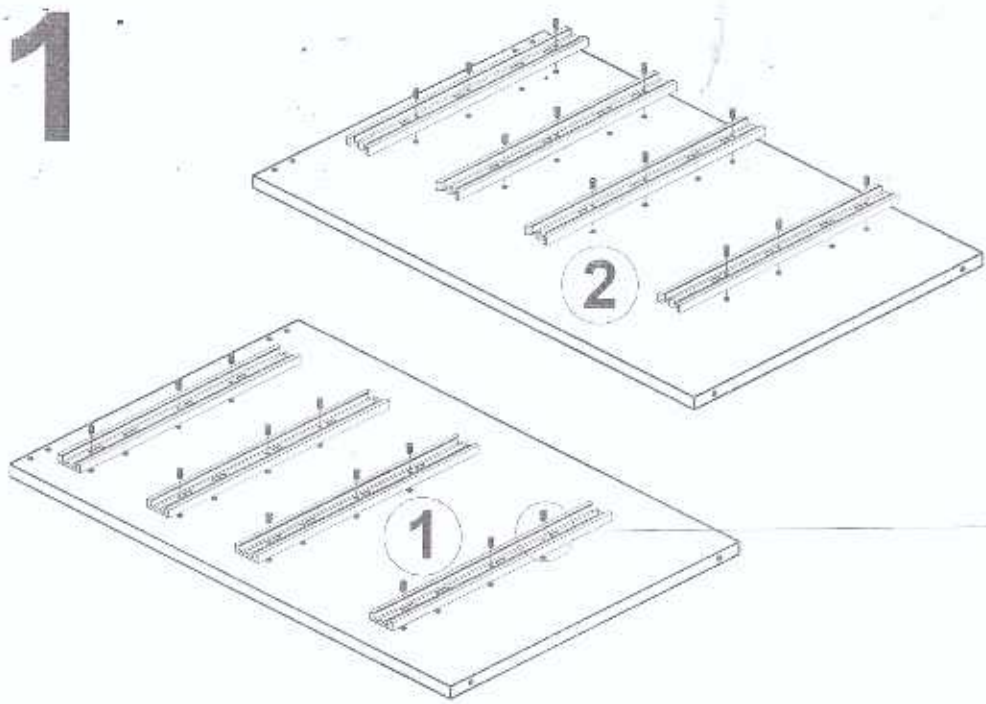
LOW Units



A  x44	B 4.0x16  x20	C  x32
D 4.0x30  x28	E  x8	F  x4
J  x4	K  50	L  x4
I 3.5x16  x24	M (1+3) 50/82 x1	M (1+3) 60/82 x1

	No	(1+3) 35/82	(1+3) 40/82	(1+3) 45/82	(1+3) 50/82	(1+3) 60/82	X		
①	704x460	1	704x460	1	704x460	1	704x460	1	
②	704x460	1	704x460	1	704x460	1	704x460	1	
③	350x460	1	400x460	1	450x460	1	500x460	1	600x460
④	318x80	2	368x80	2	418x80	2	468x80	2	568x80
⑤	258x100	6	308x100	6	358x100	6	408x100	6	508x100
⑥	450x100	6	450x100	6	450x100	6	450x100	6	450x100
⑦	258x160	2	308x160	2	358x160	2	408x160	2	508x160
⑧	450x160	2	450x160	2	450x160	2	450x160	2	450x160
⑨	288x448	4	338x448	4	388x448	4	438x448	4	538x448
⑩	714x348	1	714x398	1	714x448	1	714x198	1	714x298
⑪	140x346	3	140x396	3	140x446	3	140x496	3	140x596
⑫	283x346	1	283x396	1	283x446	1	283x496	1	283x596
⑬	-	-	-	-	-	-	714x298	1	-





4

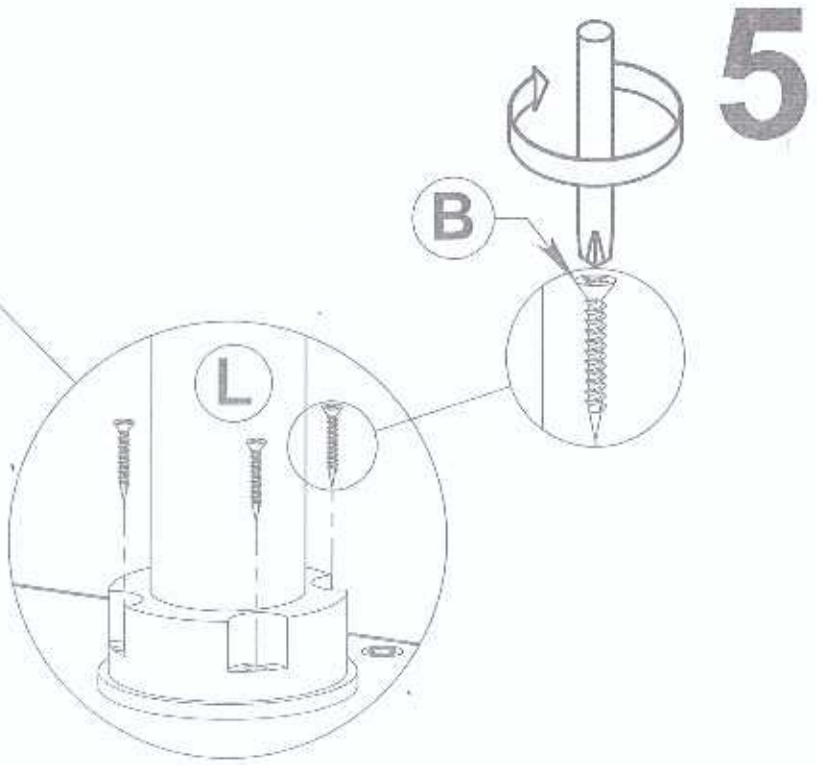
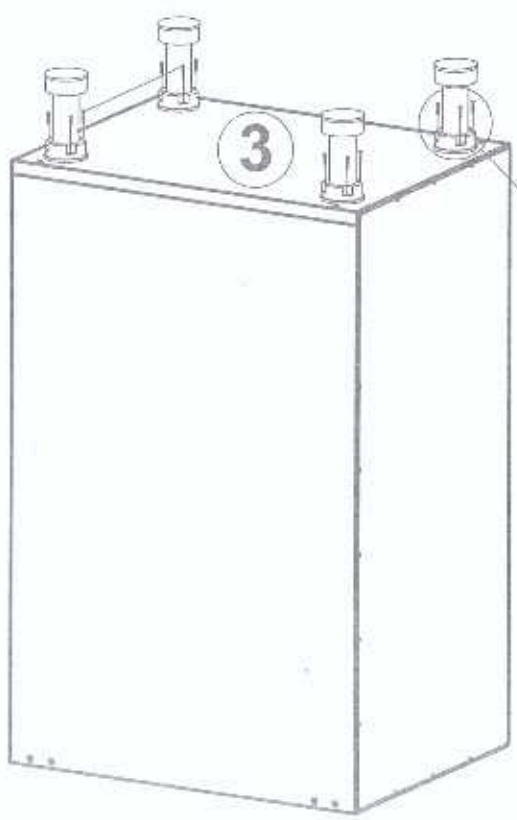
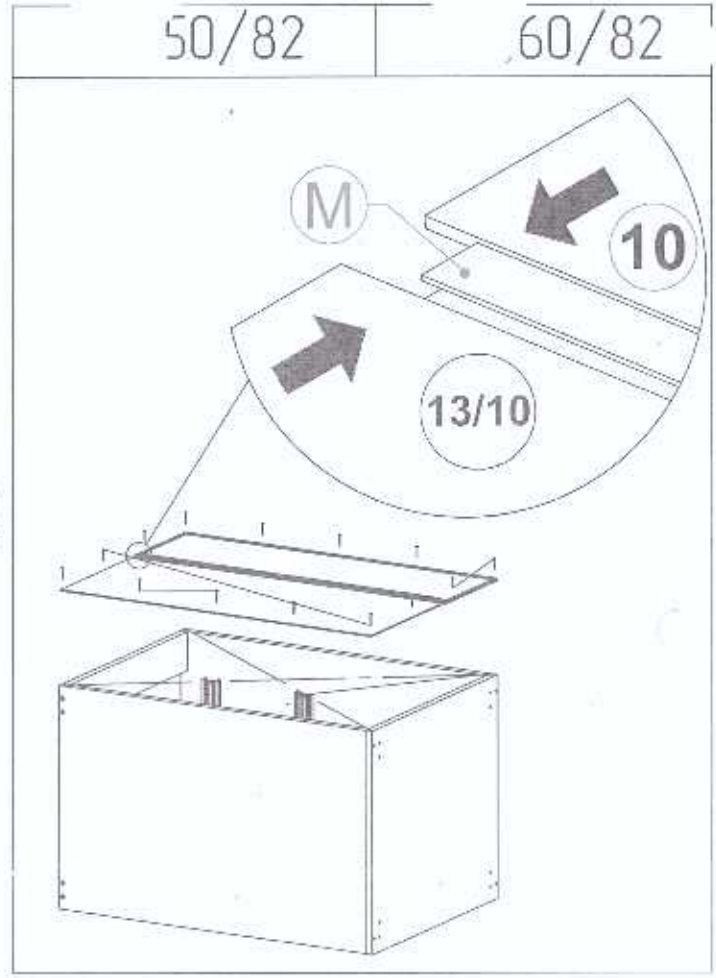
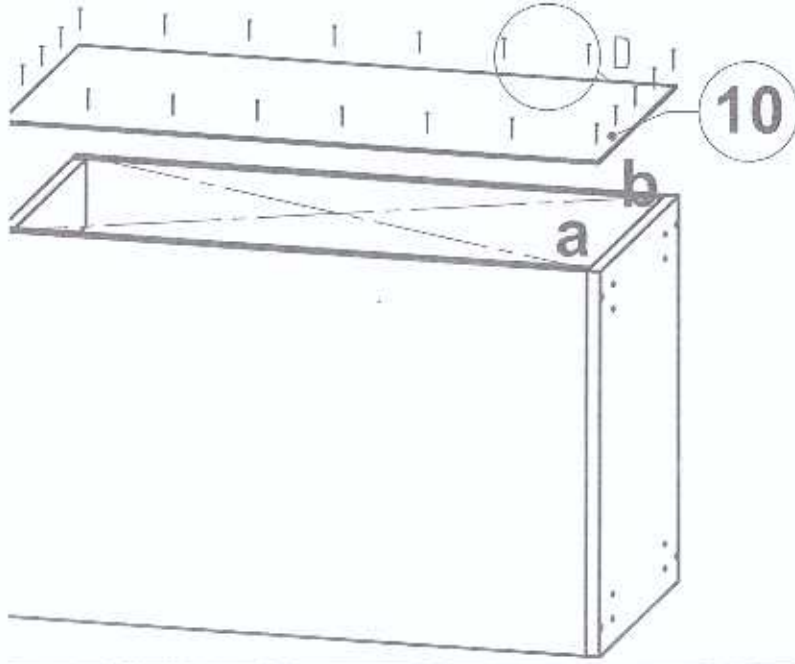
80 - 100 mm



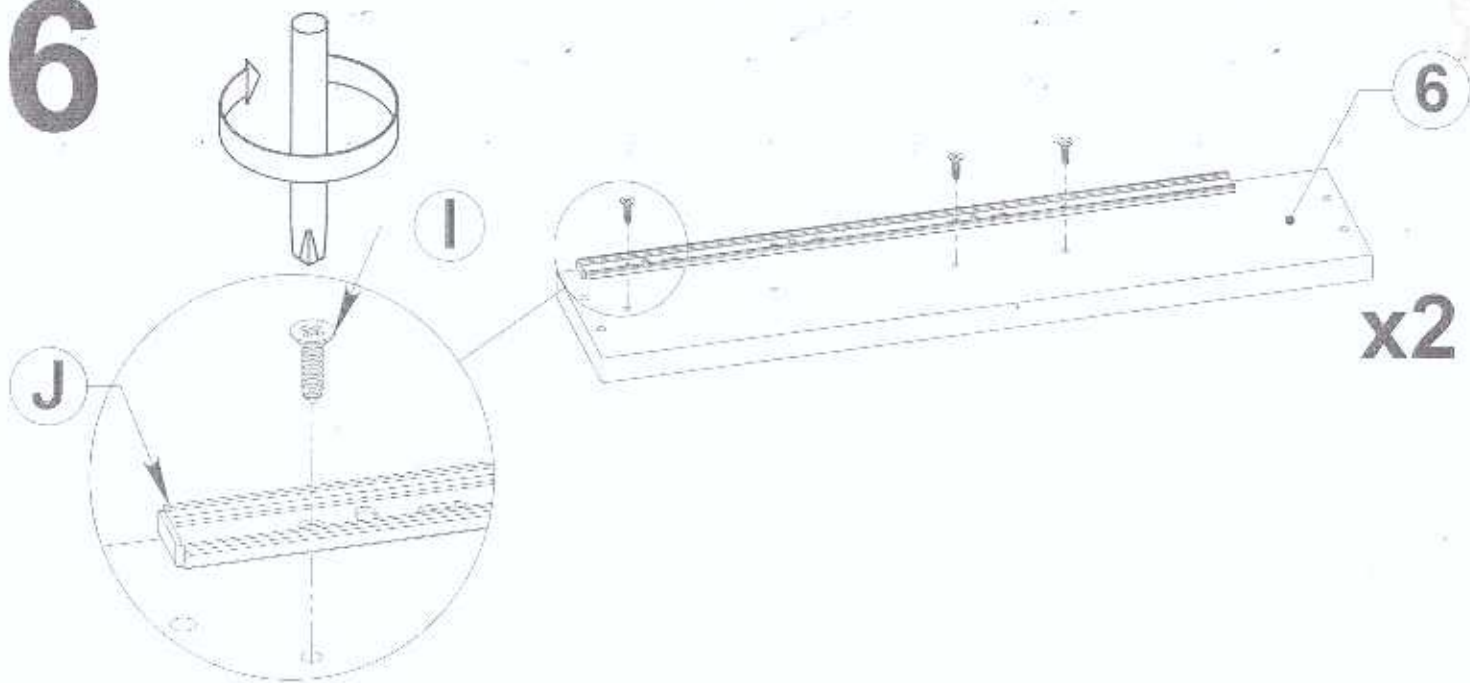
K



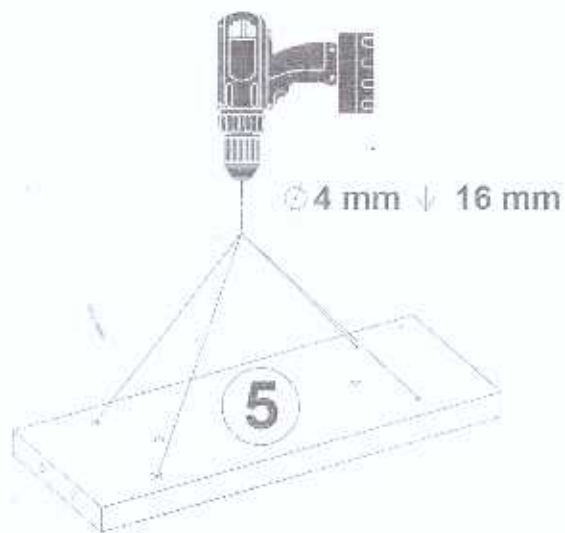
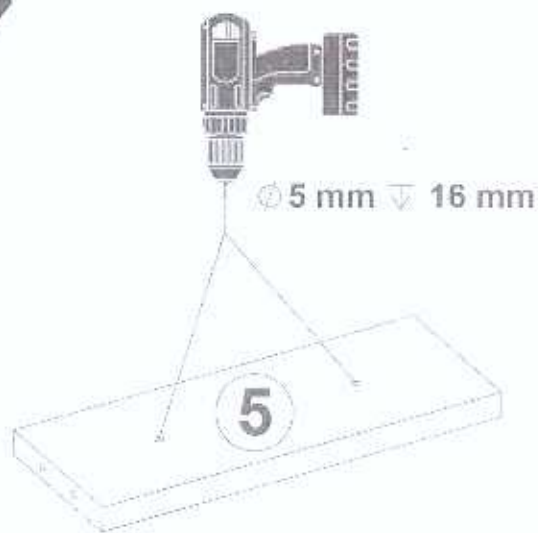
a = b



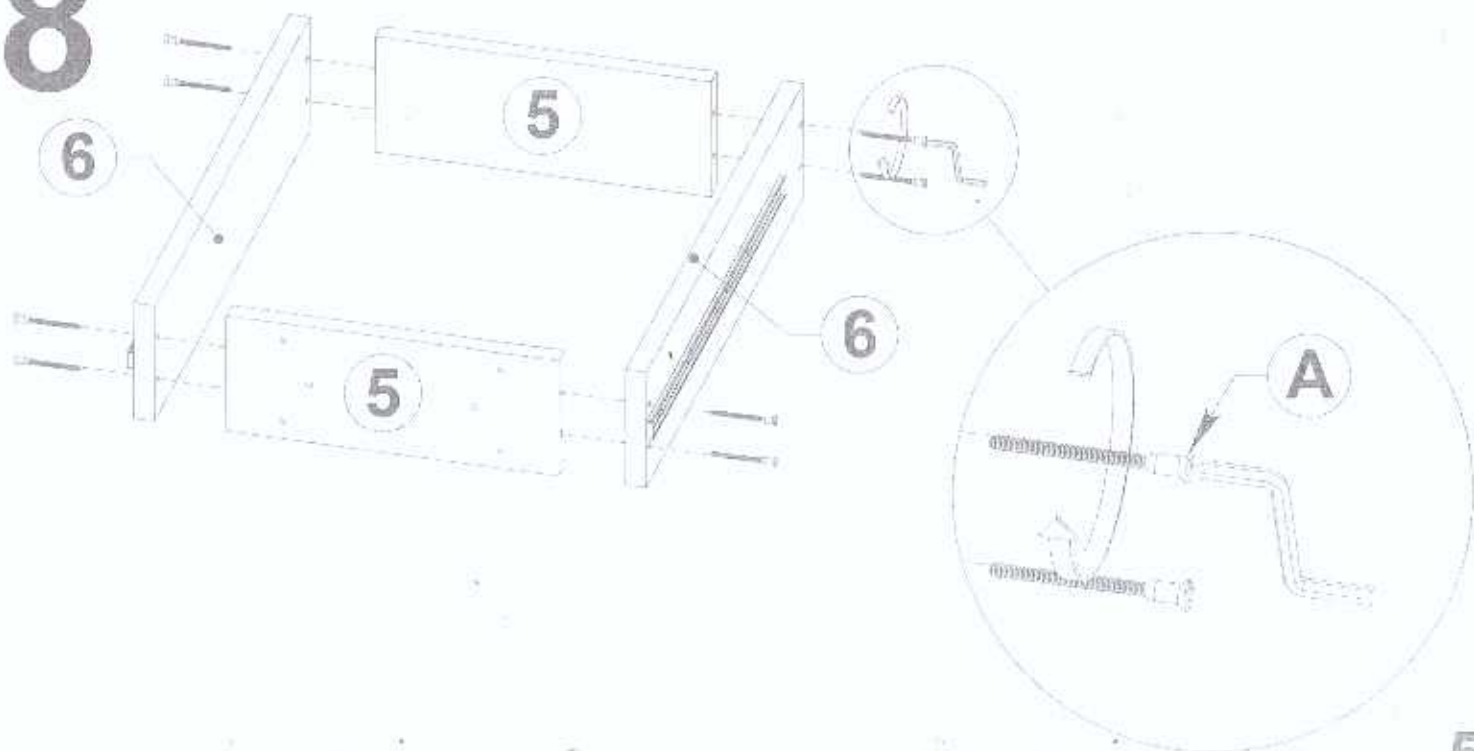
6



7

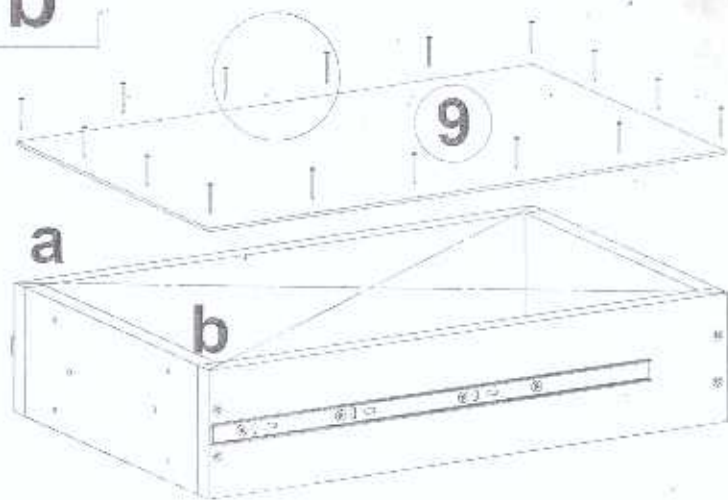
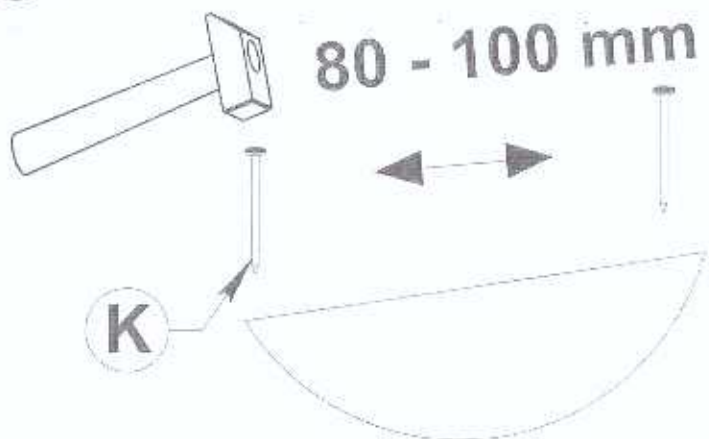


8

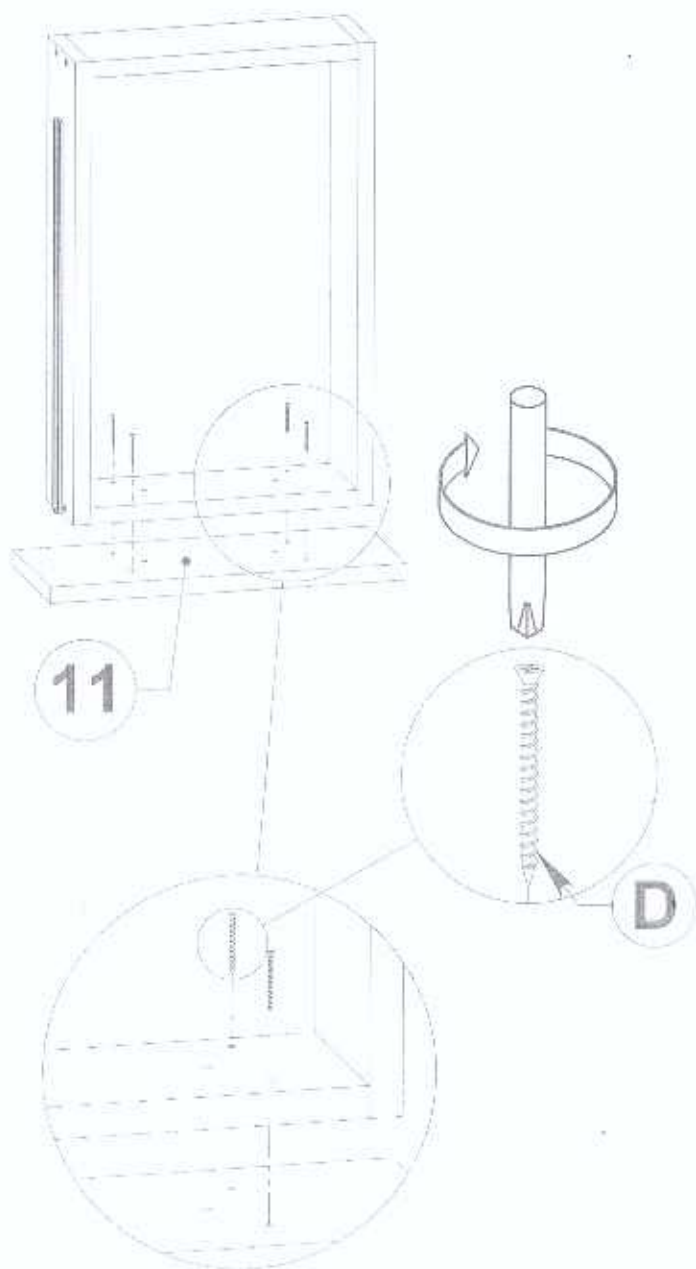


9

$a = b$



10



11

