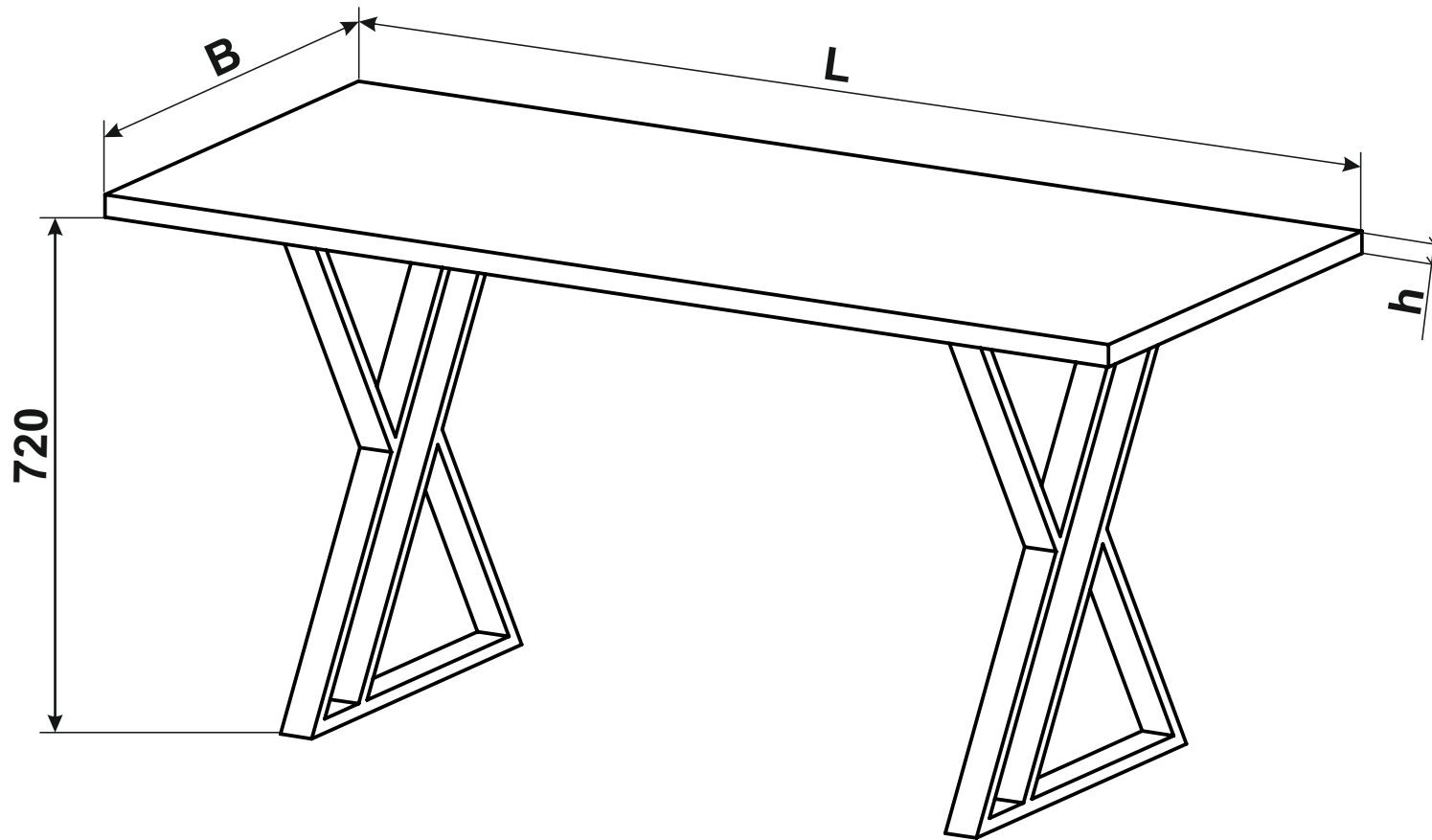
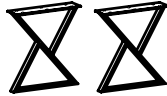
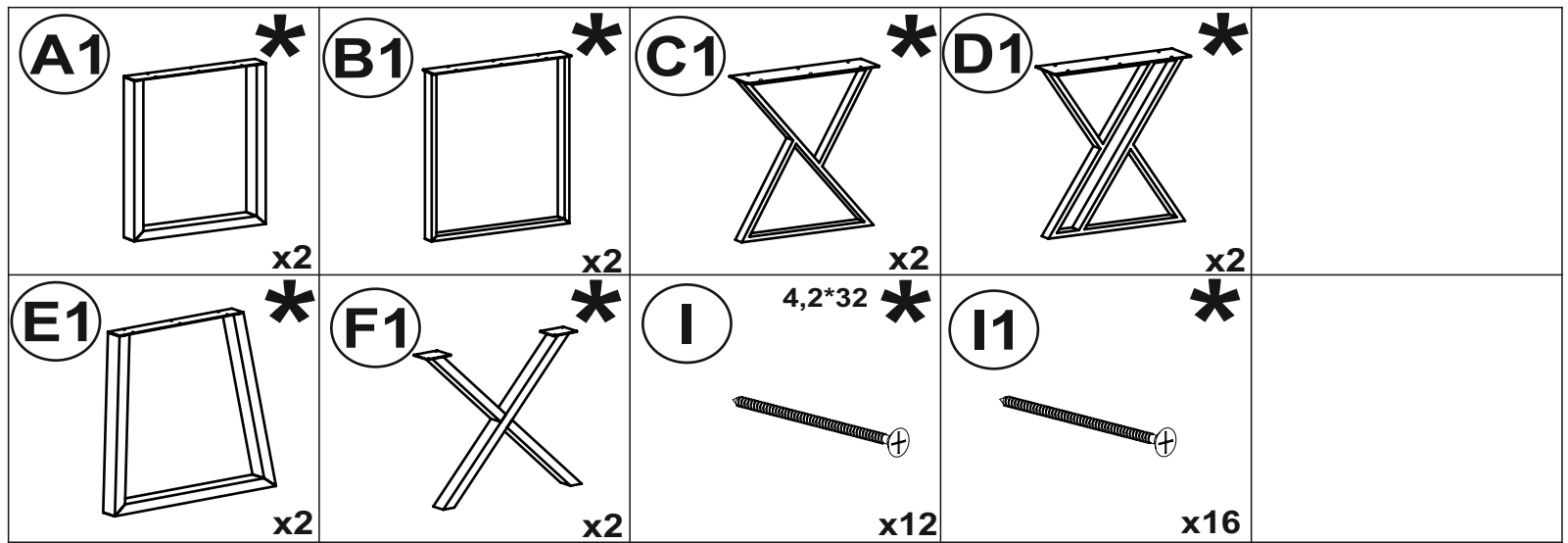


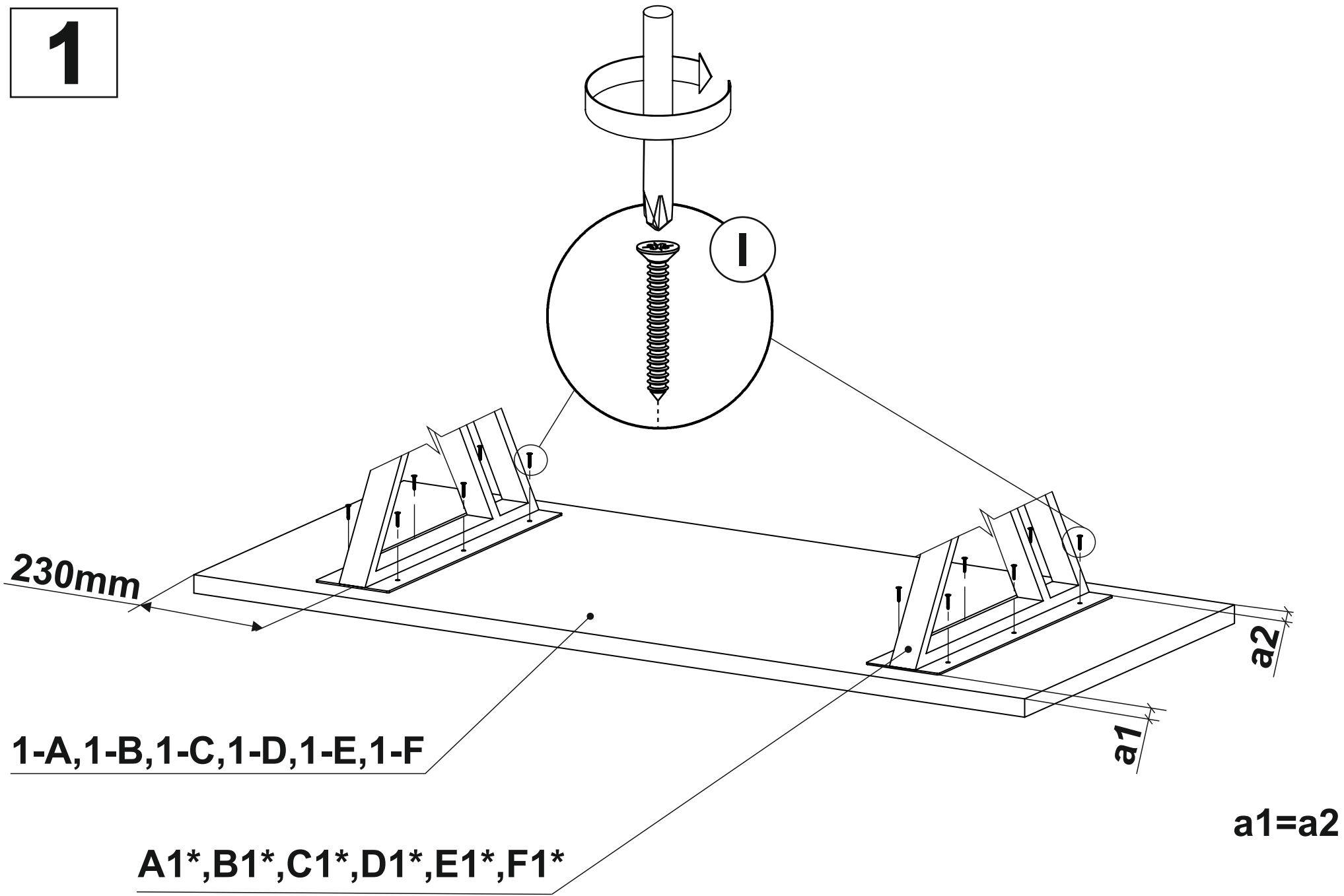
Table "Houston"



No	LxBxh	LxBxh	LxBxh	LxBxh	LxBxh	x	
A	1000x600x32	1200x600x32	—	1400x700x32	1600x700x32	1	1
B	1000x600x32	1200x600x32	—	1400x700x32	1600x700x32	1	1
C	1000x600x32	1200x600x32	—	1400x700x32	1600x700x32	1	1
D	1000x600x32	1200x600x32	—	1400x700x32	1600x700x32	1	1
F	—	1200x800x32	1300x800x32	1400x800x32	1600x700x32	1	1
E	—	1200x800x32	1300x800x32	1400x800x32	1600x800x32	1	1
						2	2



1



230mm

1-A, 1-B, 1-C, 1-D, 1-E, 1-F

A1*, B1*, C1*, D1*, E1*, F1*

a1

a2

a1=a2

2

