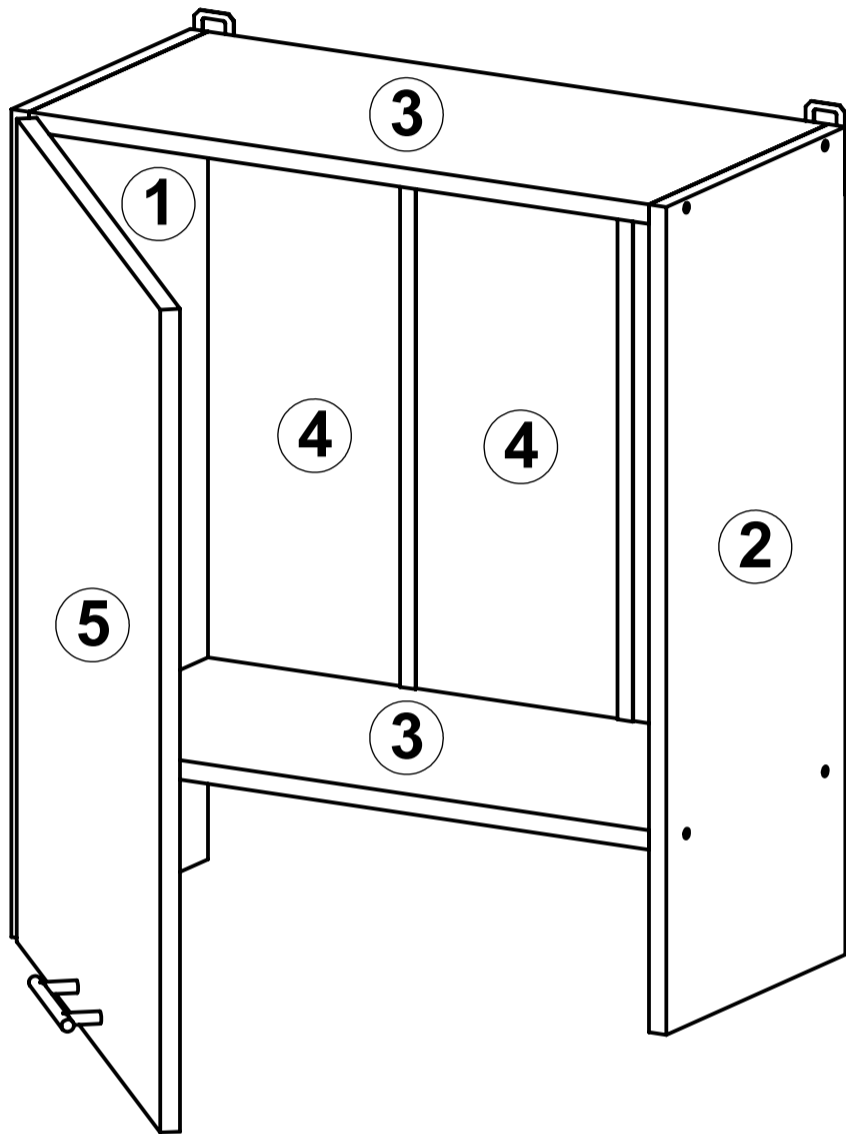












# Wall Units 92



(A)  x2	(B)  x1	(C) 4,0*16  x4
(D) 4,0*30  x8	(E)  x2	(F)  x15
(G)  x2	(H)  x4	(I)  x2
(J)   x8		

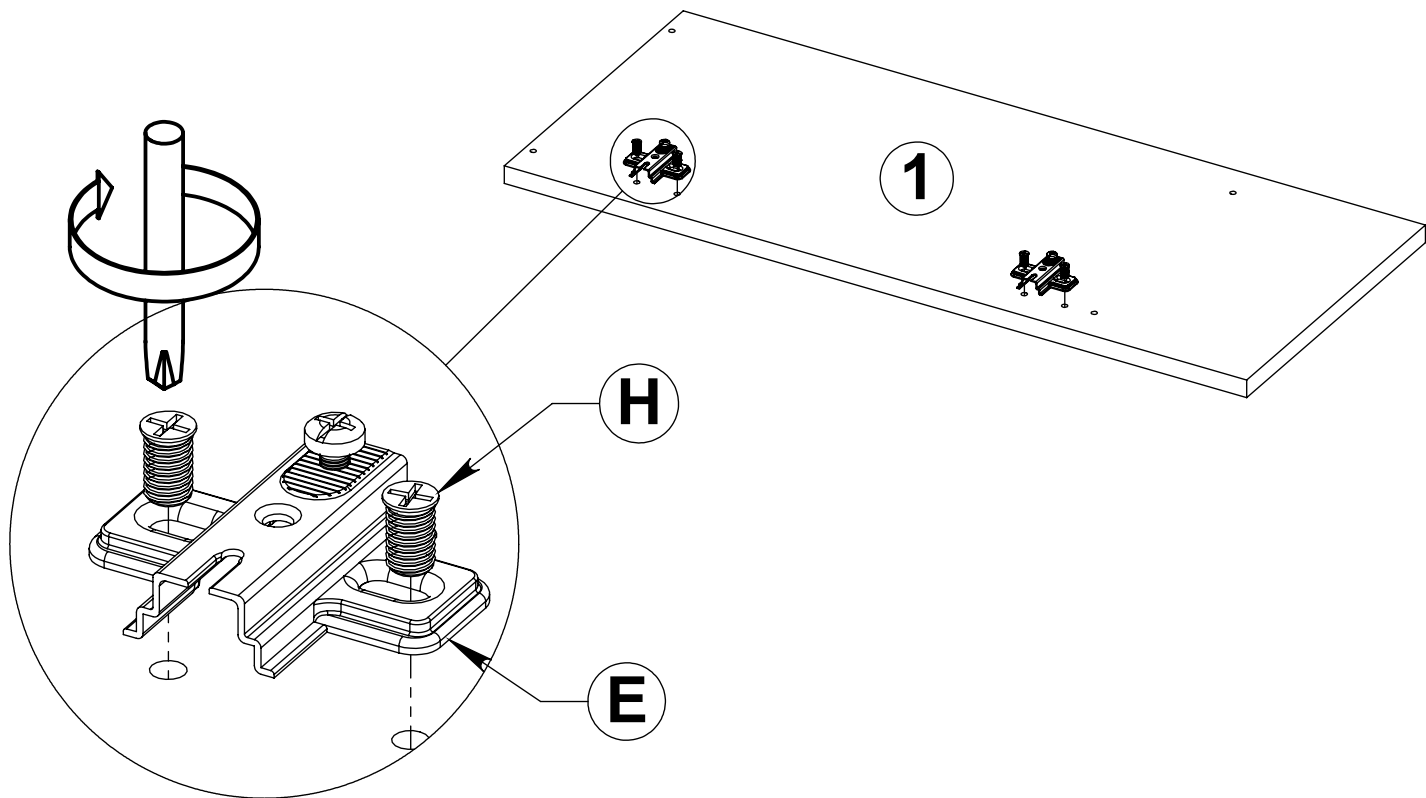
**No**

**x**

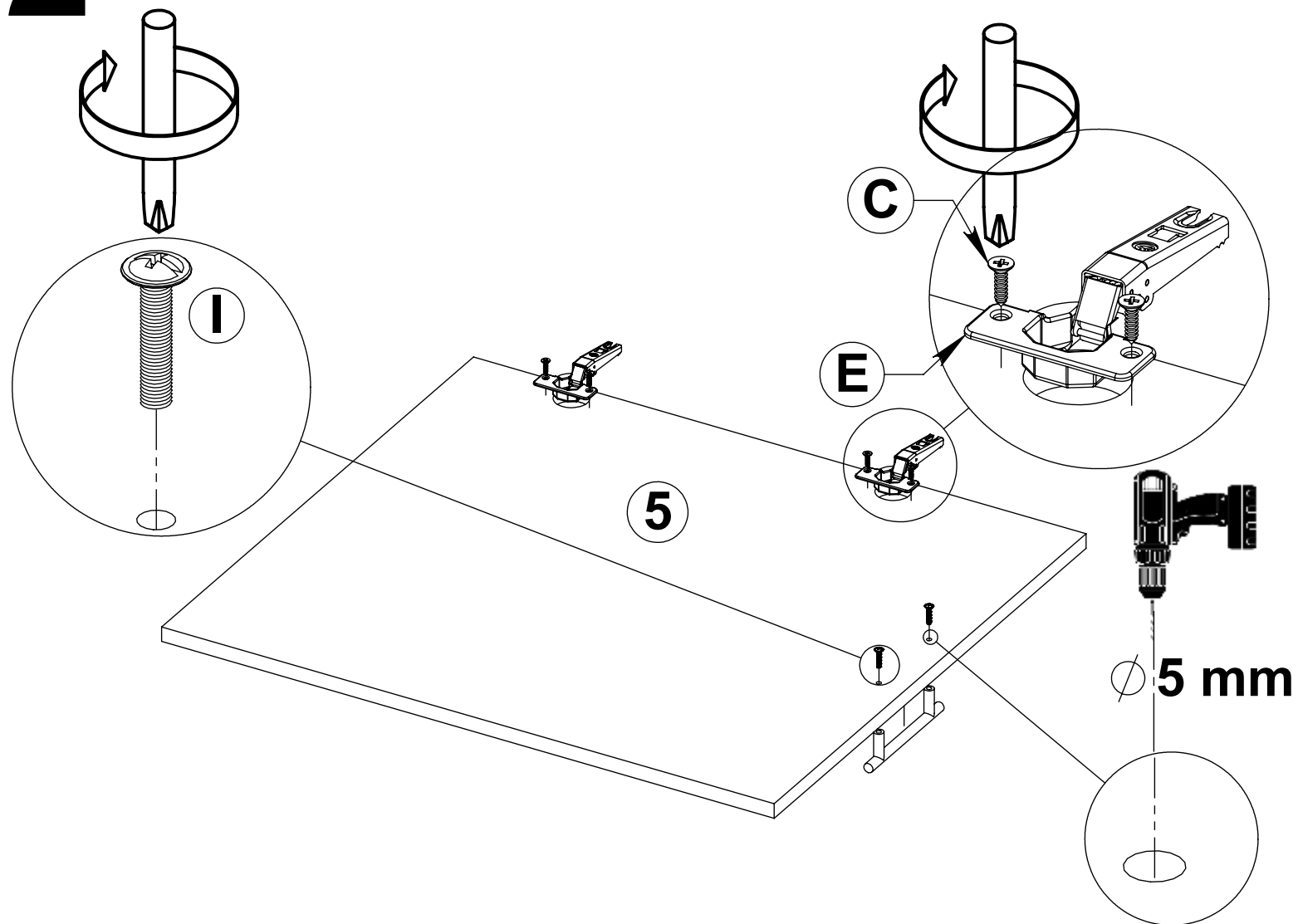
(1)	685x280x16	1
(2)	685x280x16	1
(3)	678x280x16	2
(4)	681x198x2,5	3
(5)	680x596x16	1
(6)	776x260x16	1

**G40-KT-064-A**

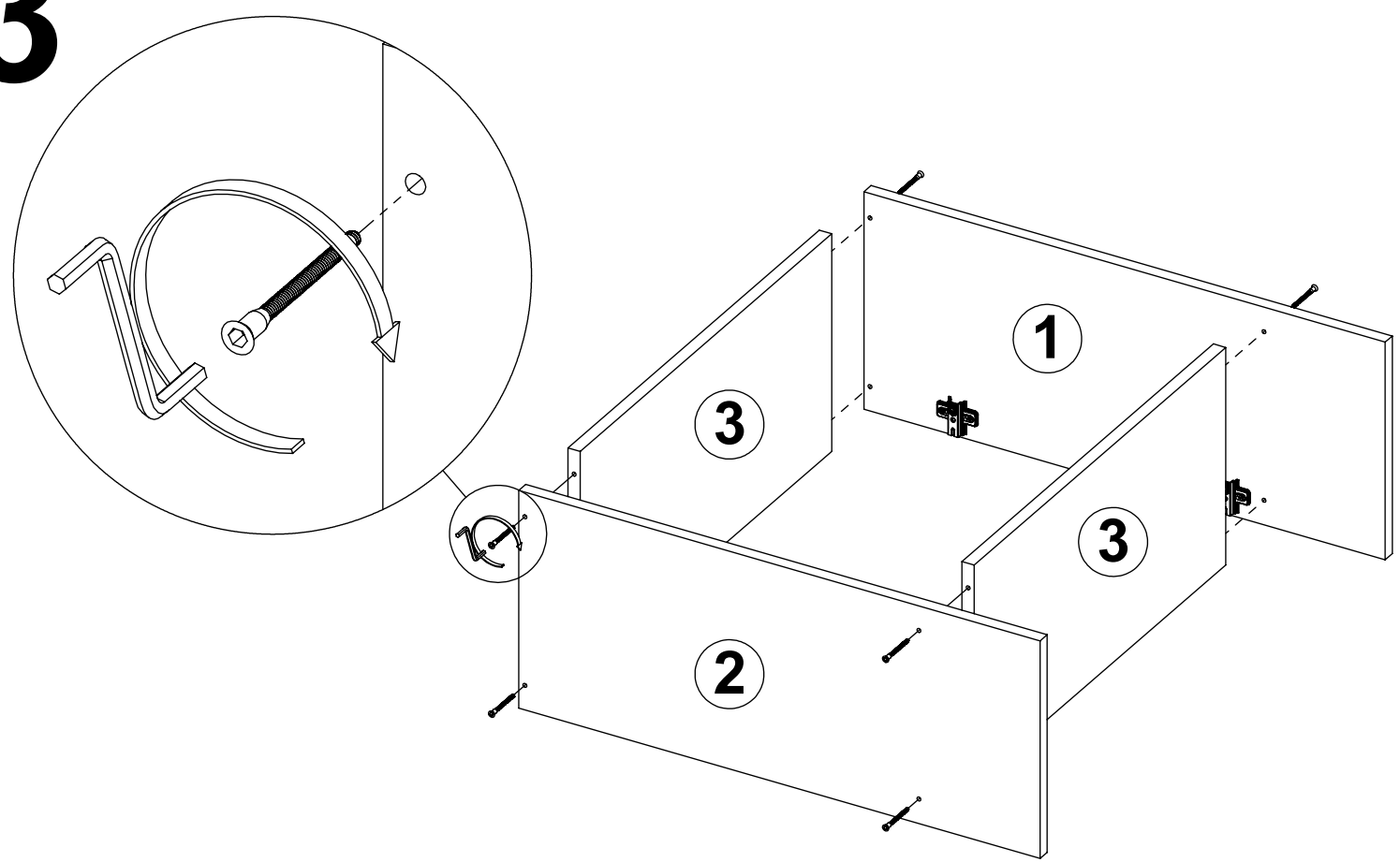
# 1



# 2

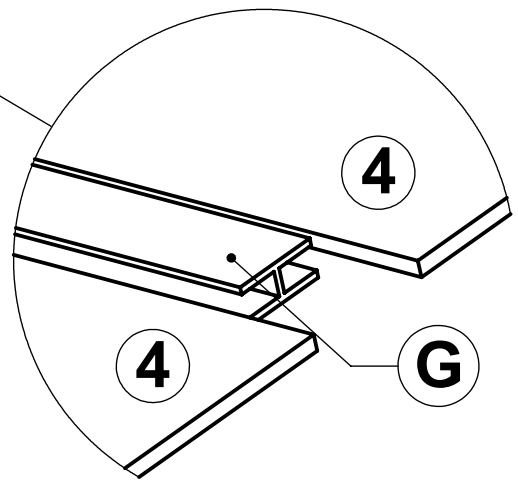
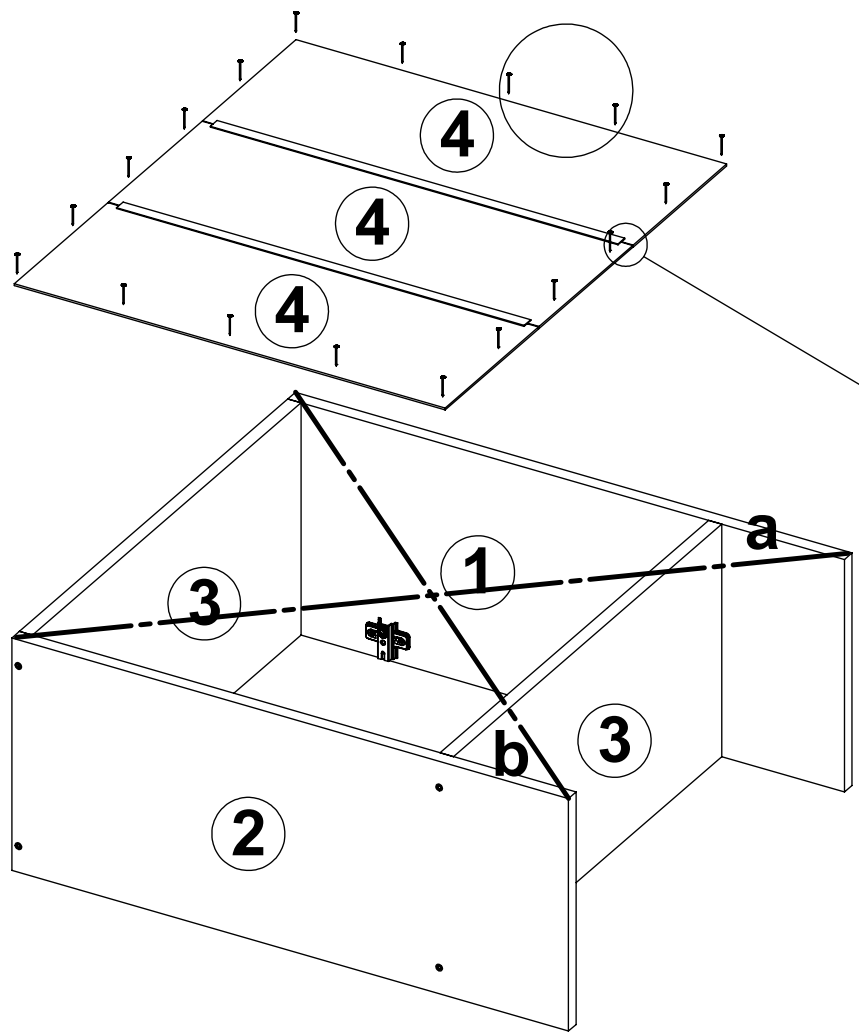
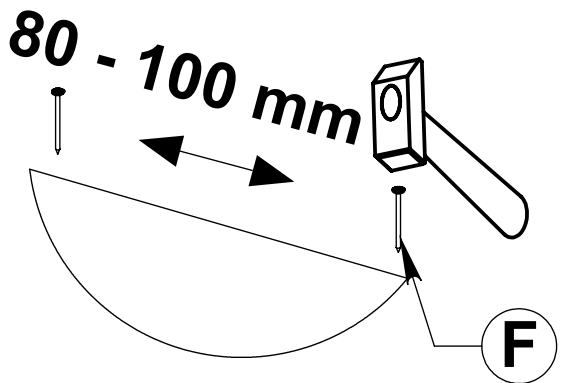


# 3

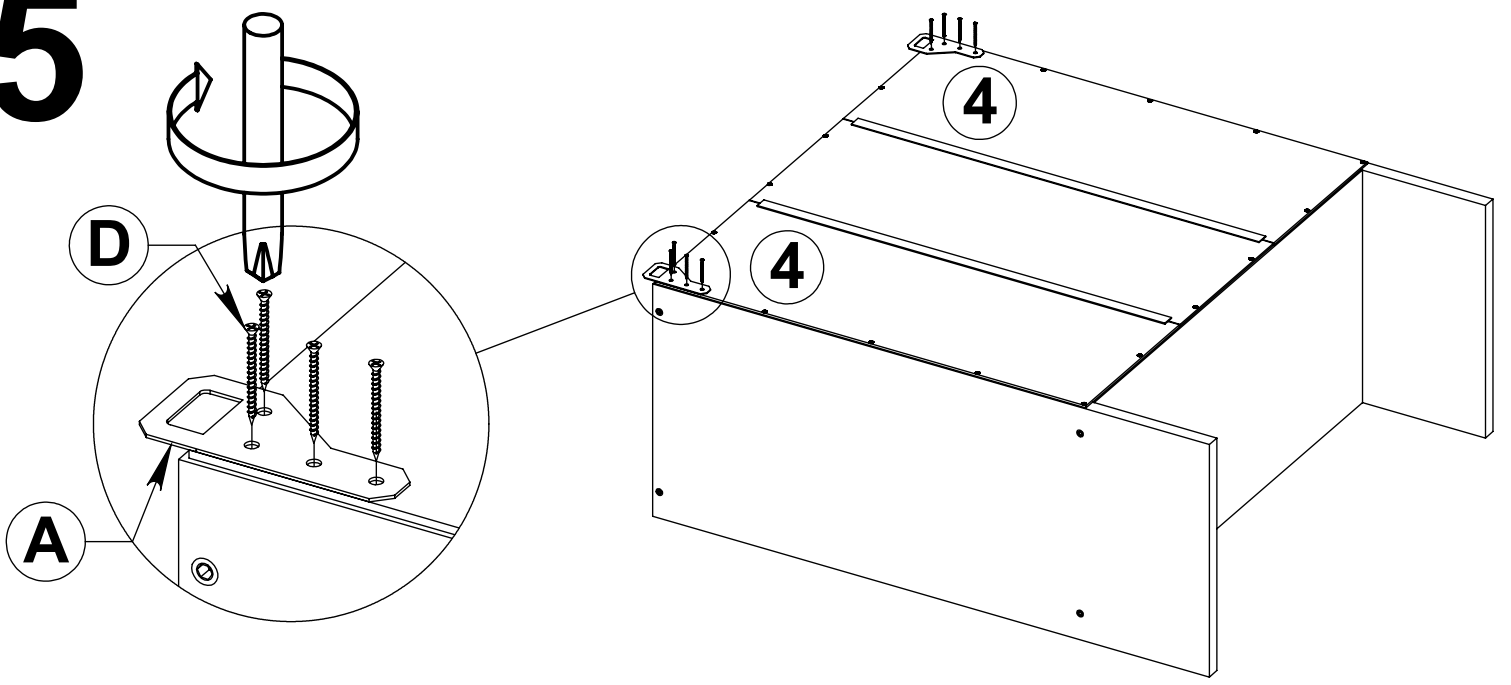


# 4

**a = b**



# 5



# 6

