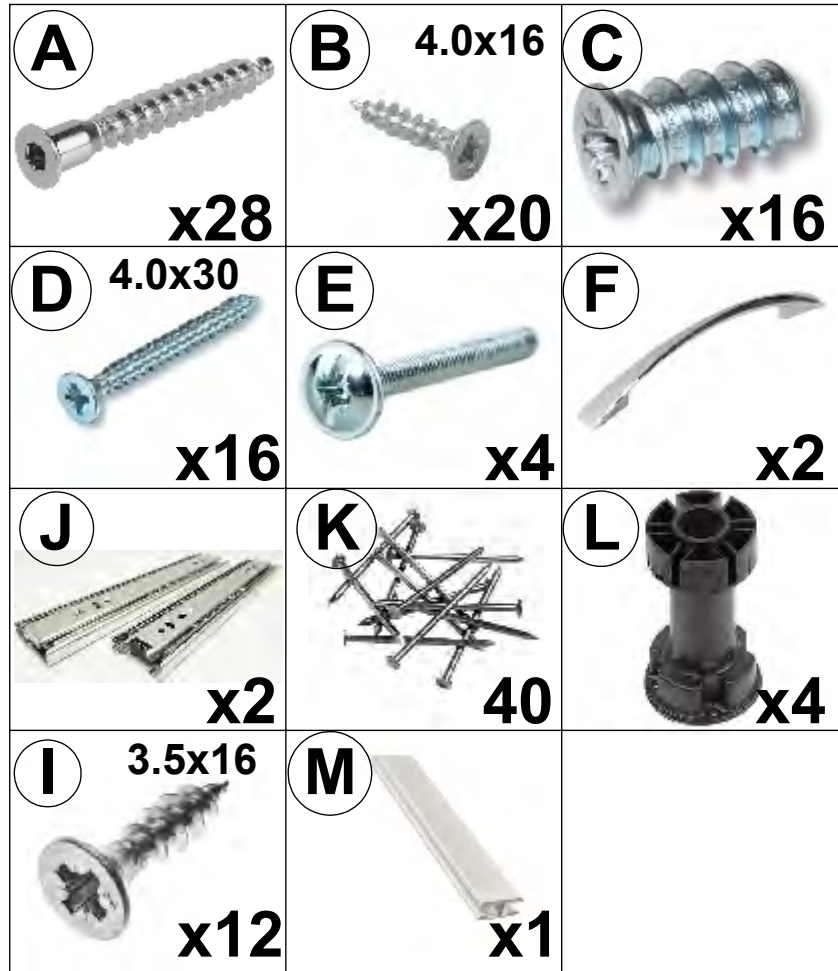
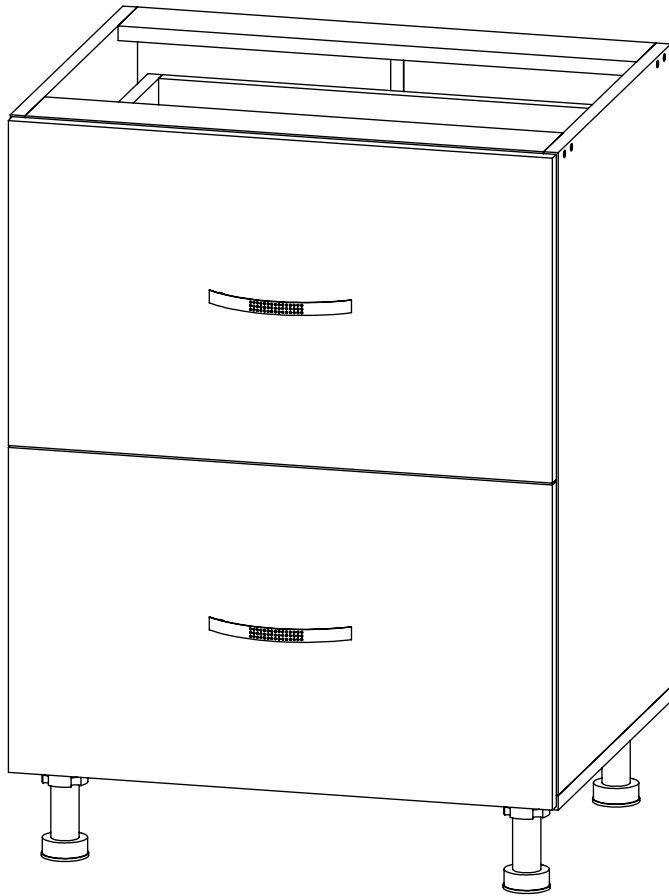
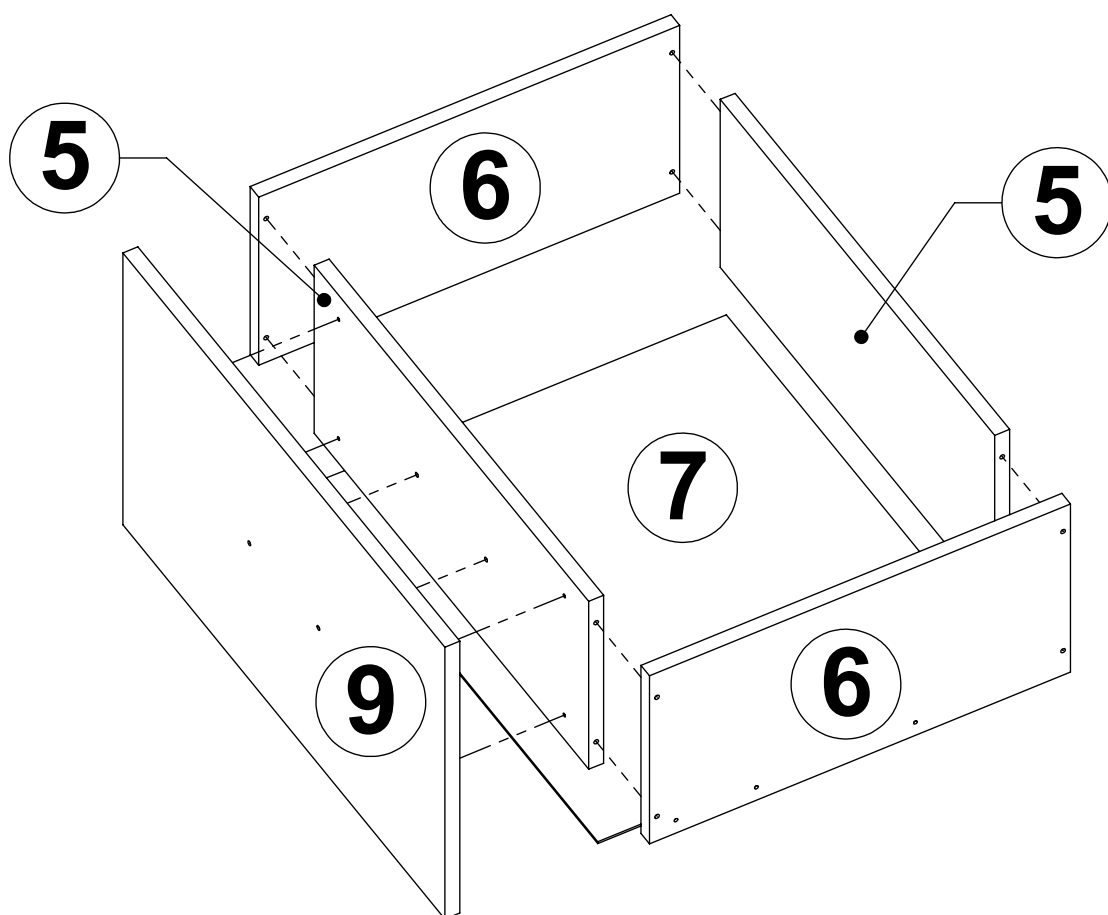
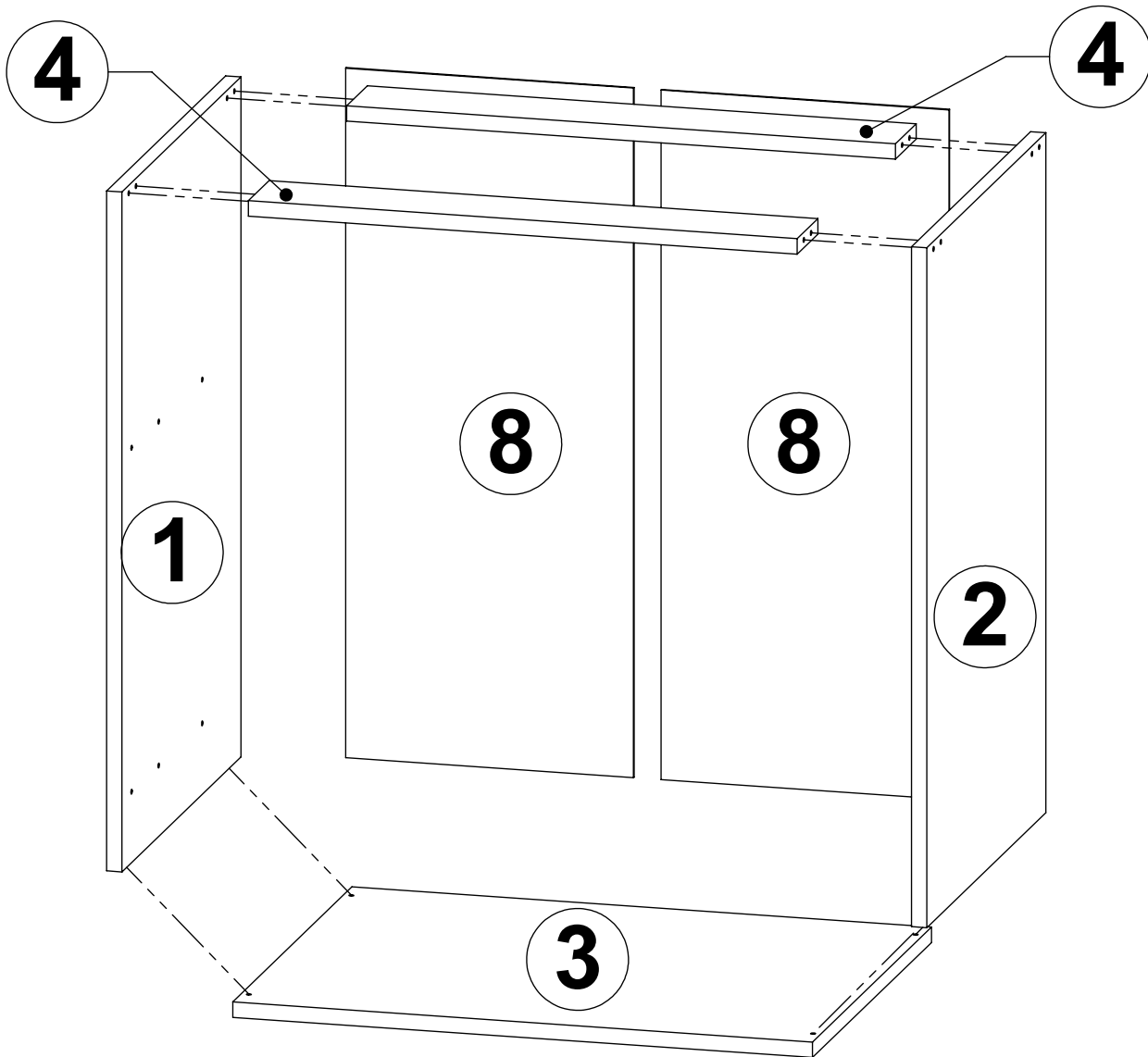


# LOW Units

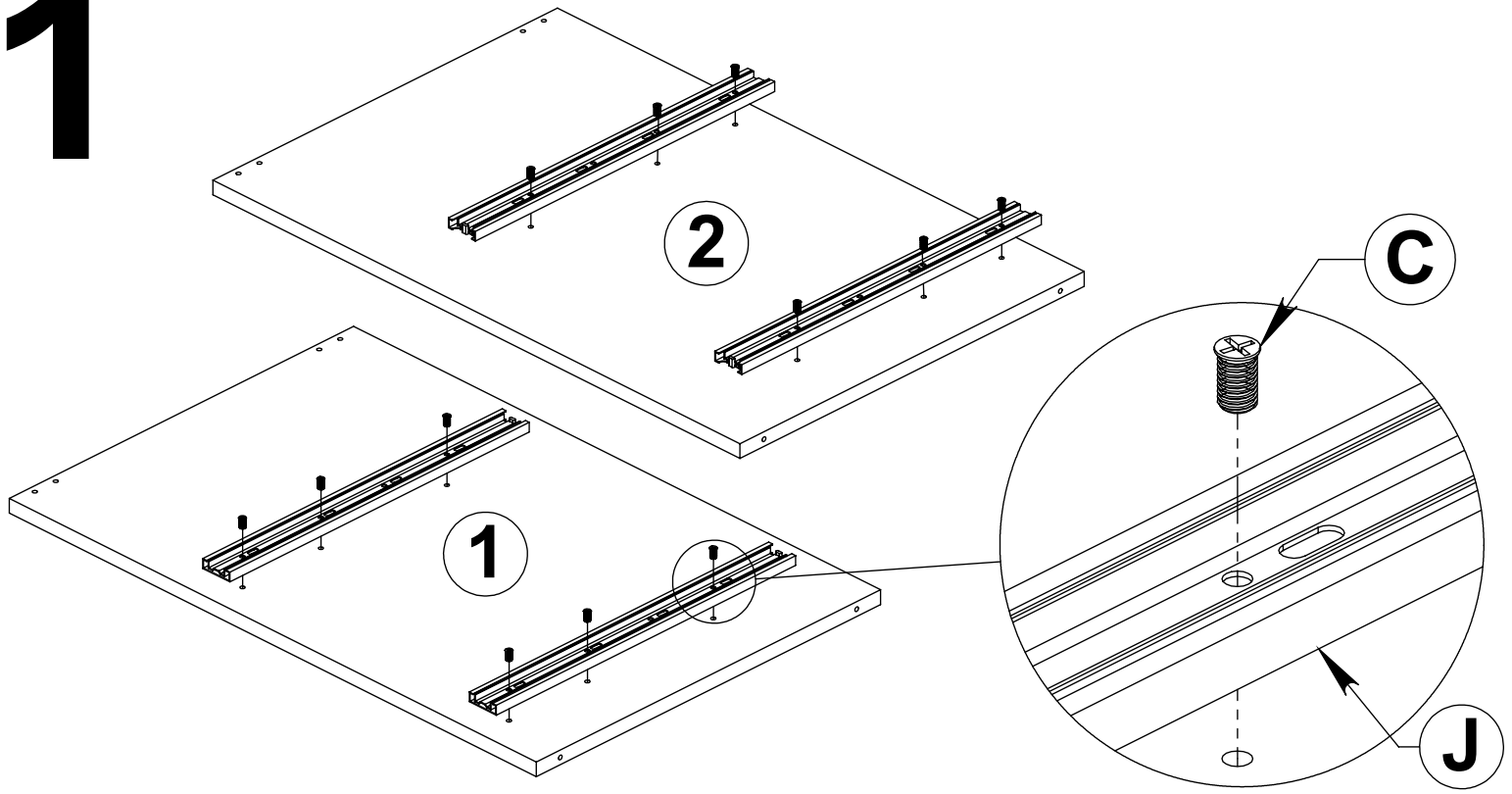


No	50/82	X	60/82	70/82	80/82	X
①	704x460	1	704x460	704x460	704x460	1
②	704x460	1	704x460	704x460	704x460	1
③	500x460	1	600x460	700x460	800x460	1
④	468x80	2	568x80	668x80	768x80	2
⑤	408x220	4	508x220	608x220	708x220	4
⑥	450x220	4	450x220	450x220	450x220	4
⑦	438x448	2	538x448	638x448	738x448	2
⑧	714x298	1	714x298	714x348	714x398	2
⑧	714x198	1	-	-	-	-
⑨	355x496	2	355x596	355x696	355x796	2

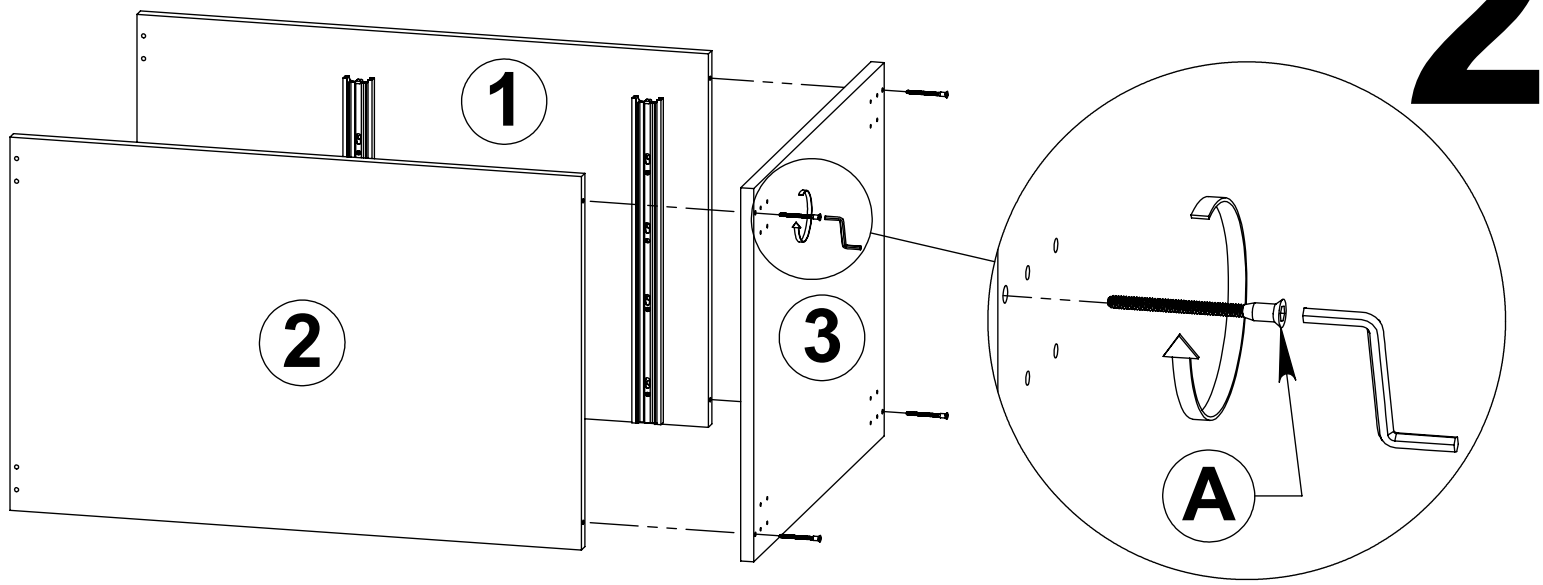
**G40-KT-036-A**



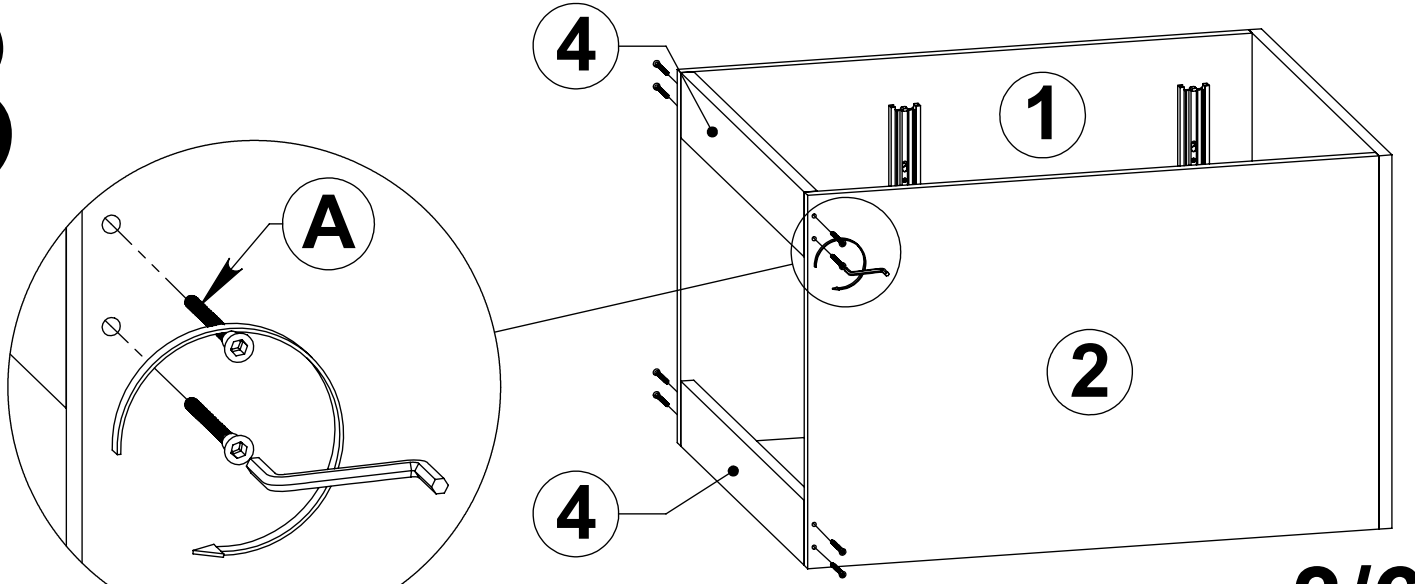
# 1



# 2



# 3

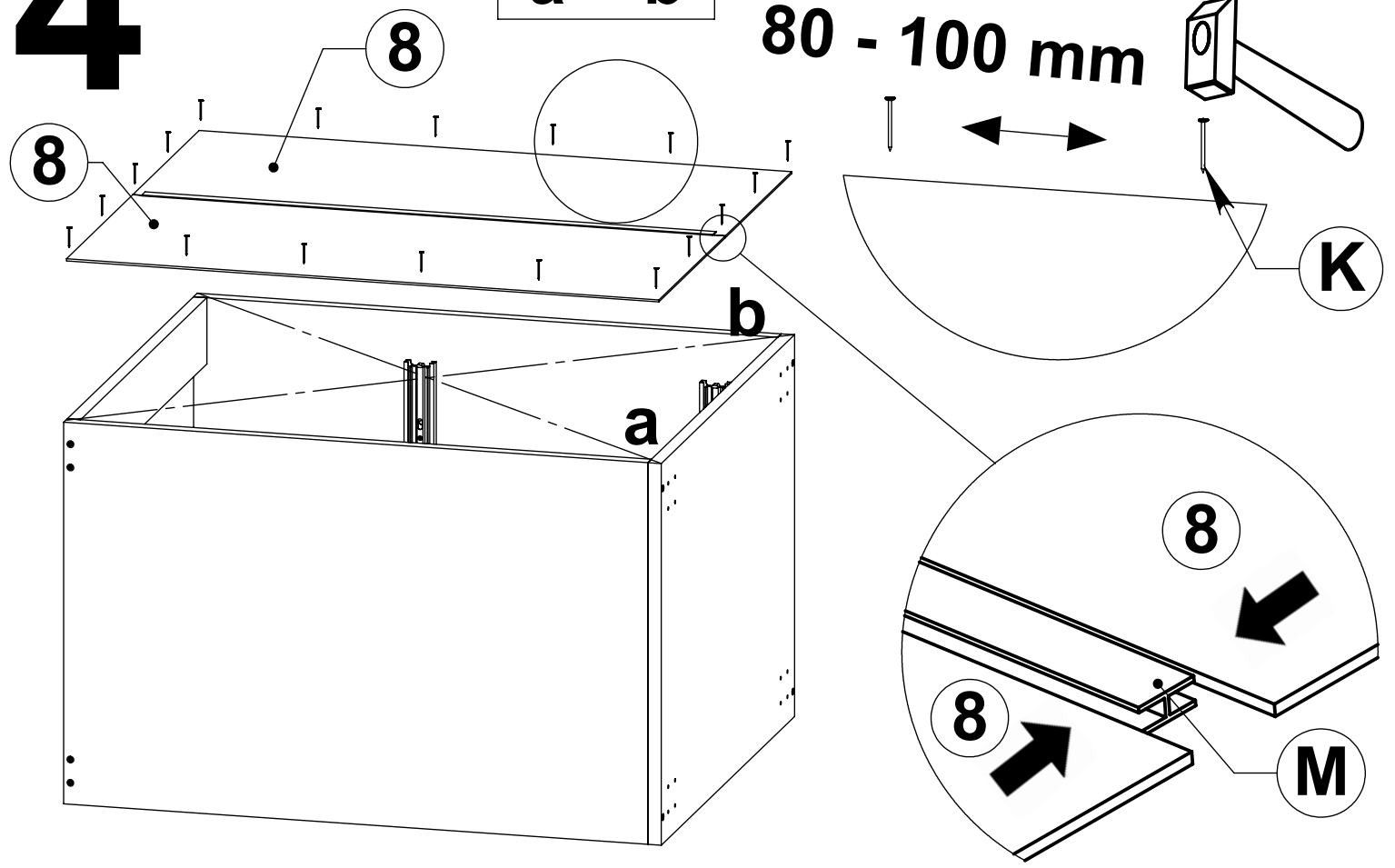


# 3/6

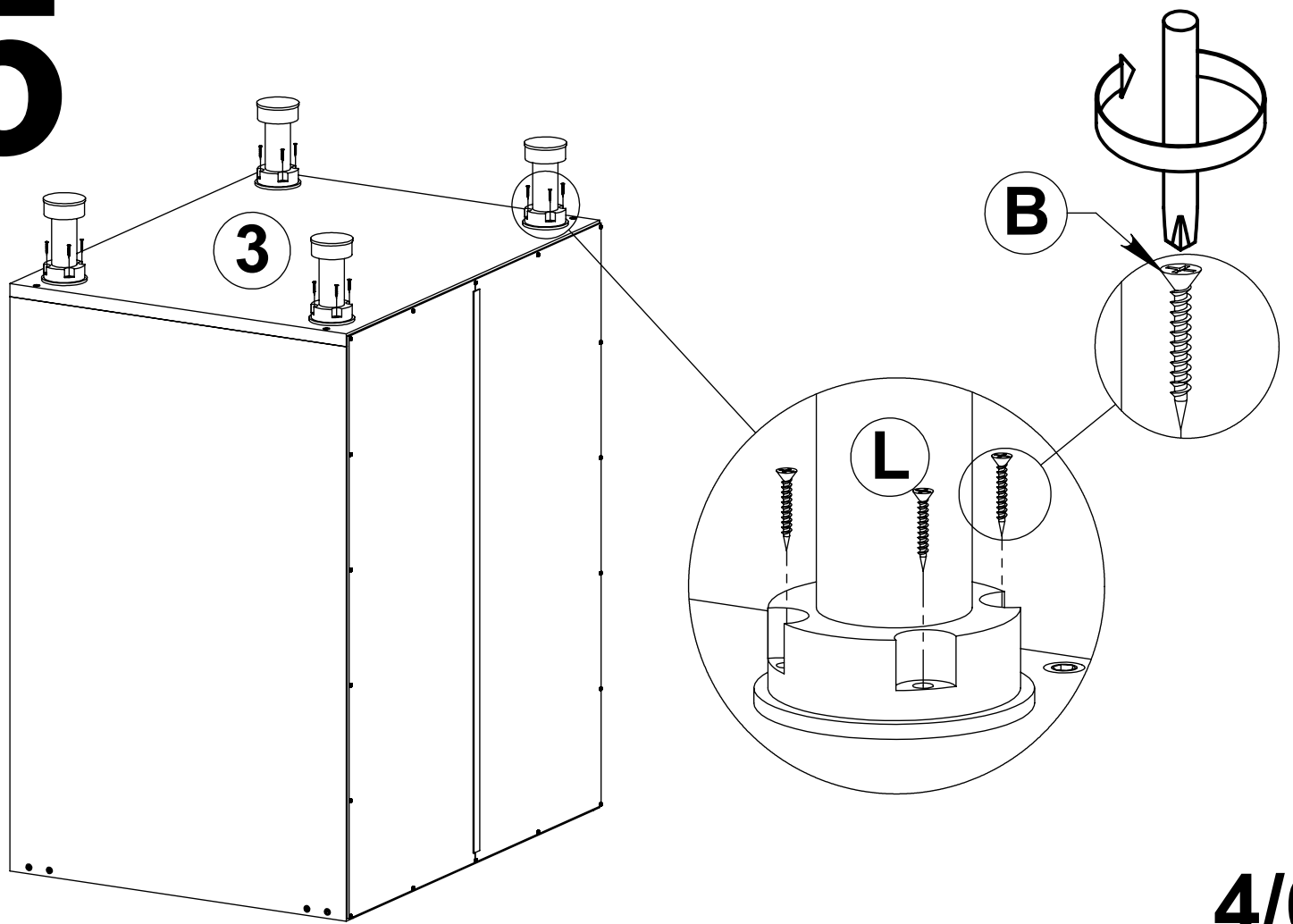
# 4

$a = b$

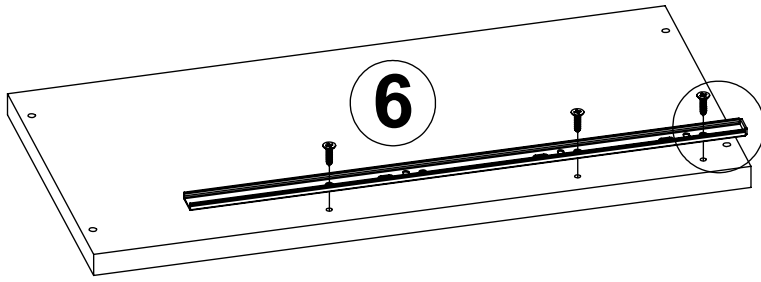
80 - 100 mm



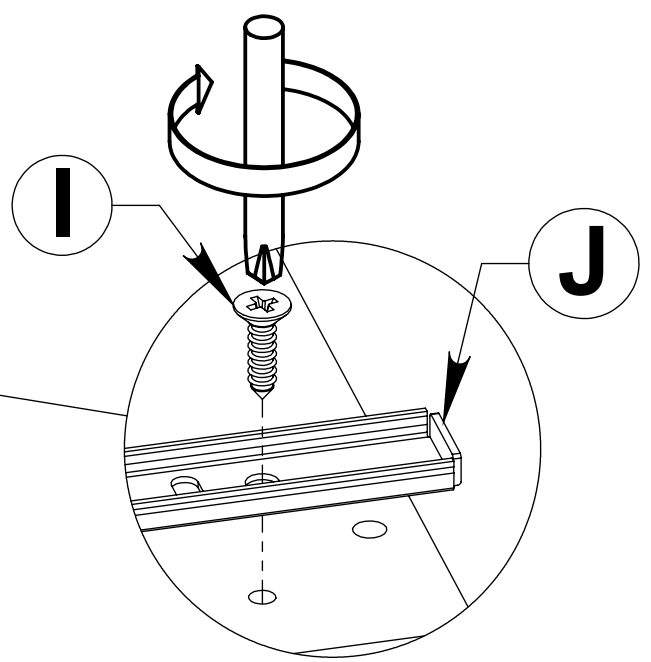
# 5



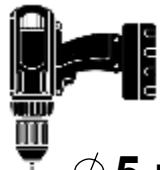
# 6



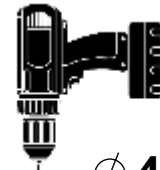
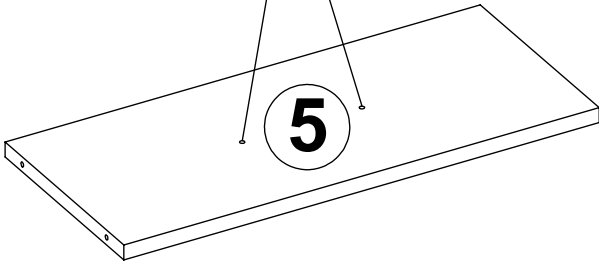
**X2**



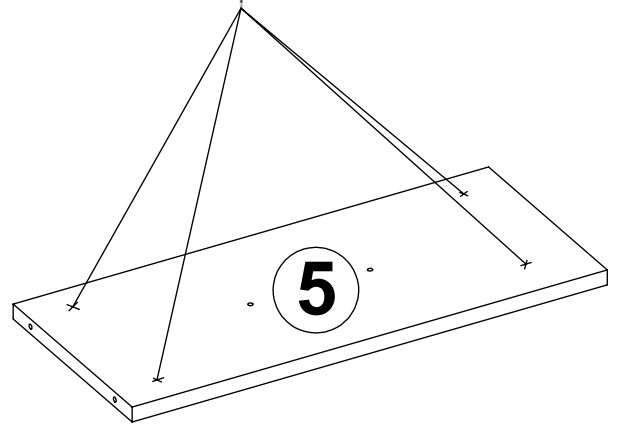
# 7



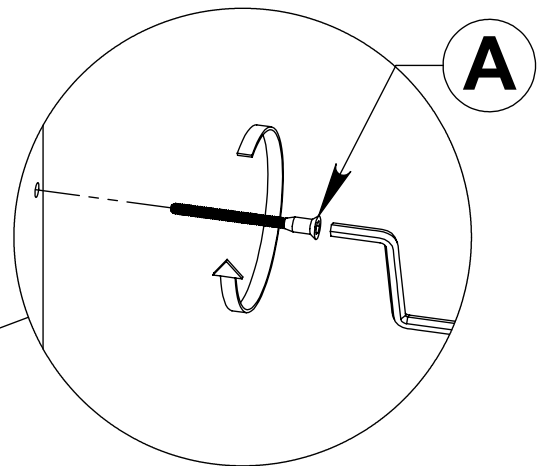
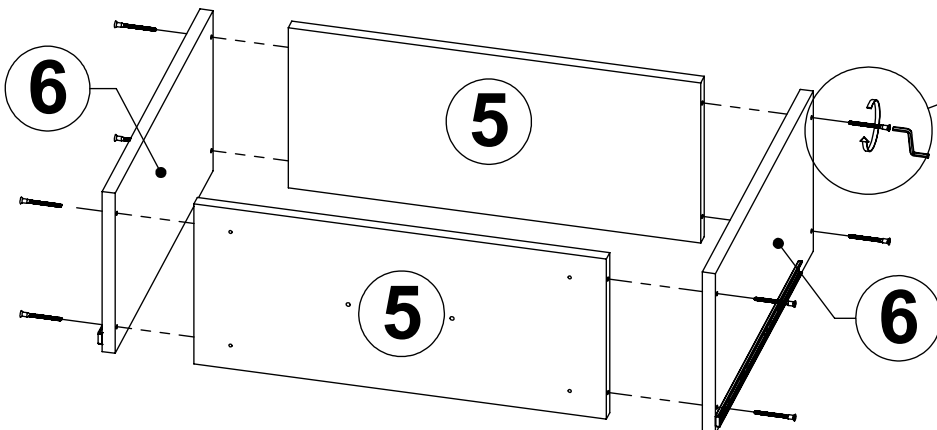
$\varnothing$  5 mm  $\nabla$  16 mm



$\varnothing$  4 mm  $\nabla$  16 mm



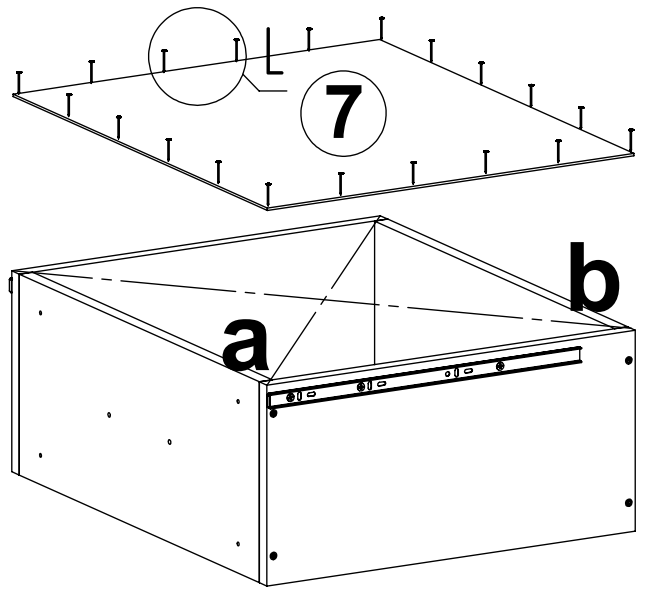
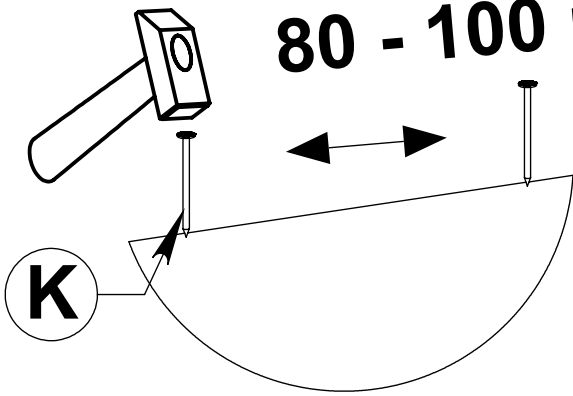
# 8



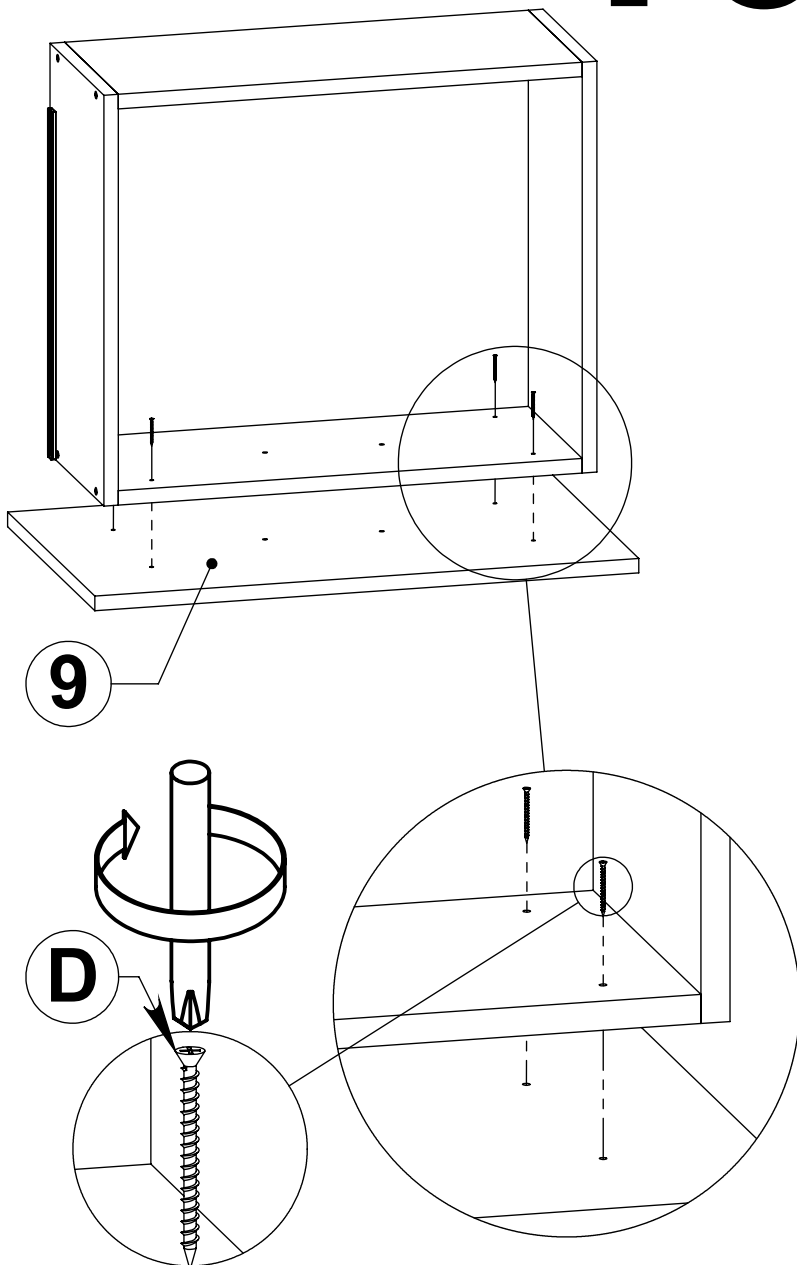
# 9

**a = b**

**80 - 100 mm**



# 10



# 11

