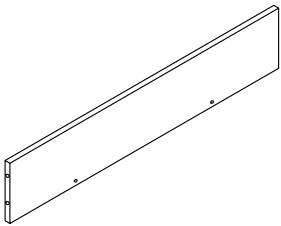
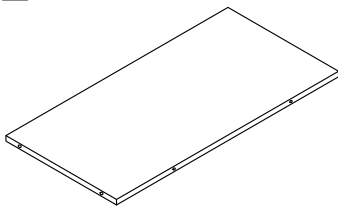
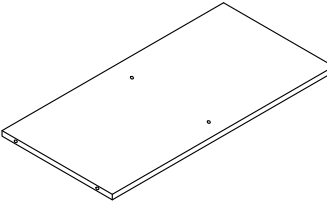
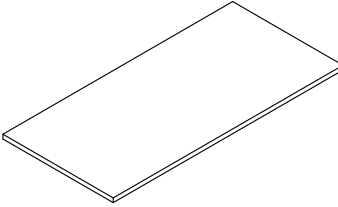
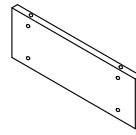
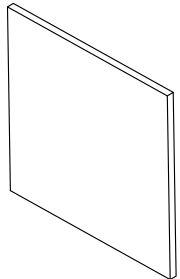
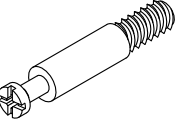

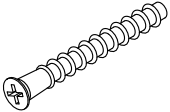
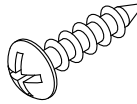
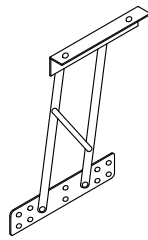
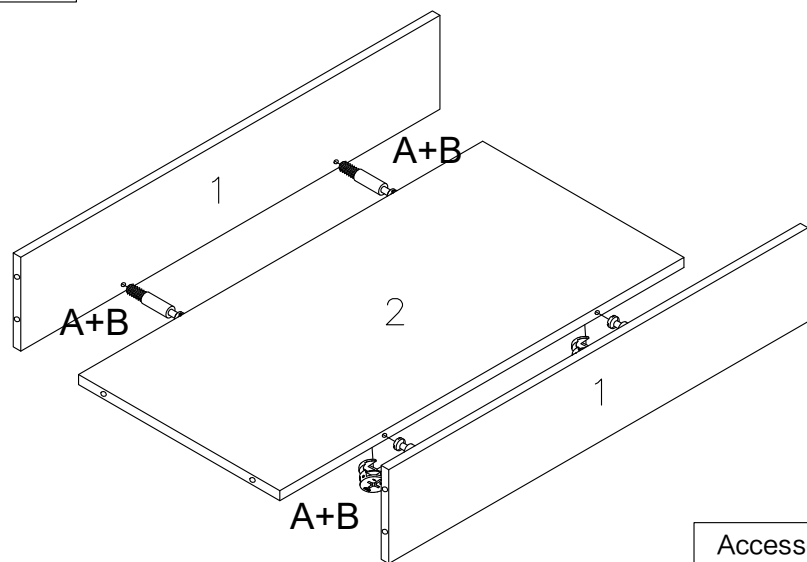




230-000021

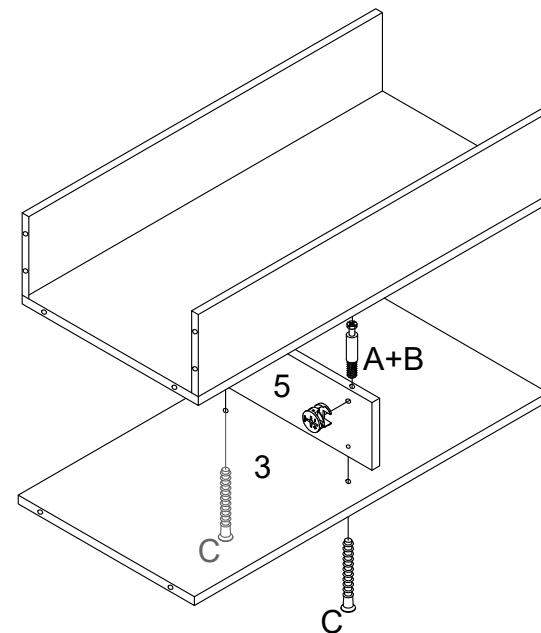
<p>1</p>  <p>X2</p>	<p>2</p>  <p>X1</p>	<p>3</p>  <p>X1</p>	<p>4</p>  <p>X1</p>	<p>5</p>  <p>X1</p>	<p>6</p>  <p>X2</p>
<p>A</p>  <p>X22</p>	<p>B</p>  <p>X22</p>	<p>C (5X50)</p>  <p>X2</p>	<p>D (3.5X12)</p>  <p>X28</p>	<p>E</p>  <p>X2</p>	




Step 1



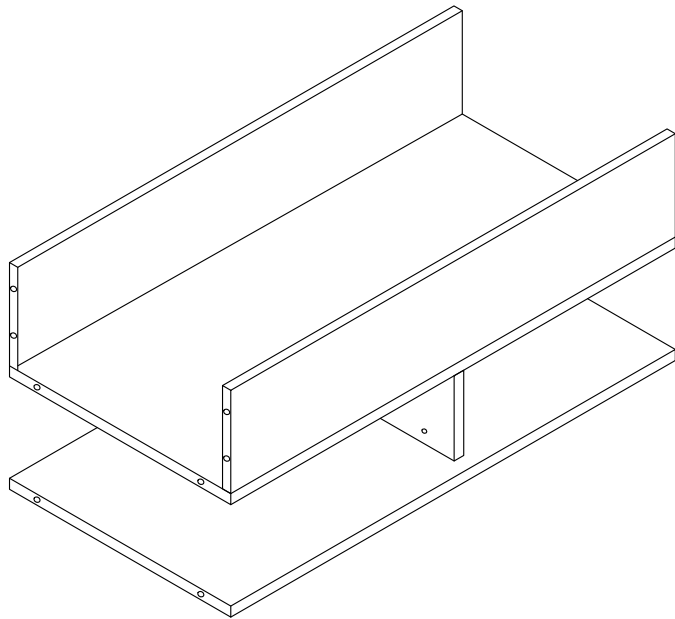
Accessories used	
	AX4
	BX4

Step 2

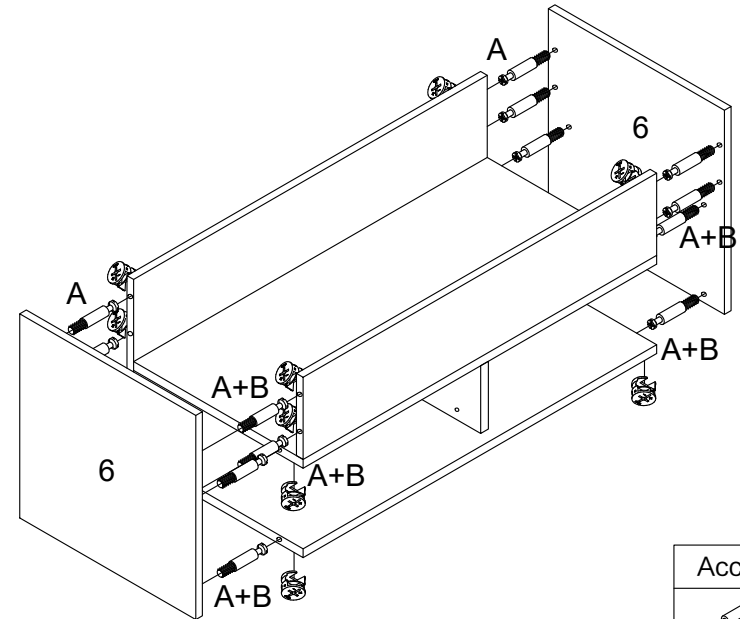


Accessories used	
	AX2
	BX2
	CX2

### Step 3



### Step 4



Accessories used

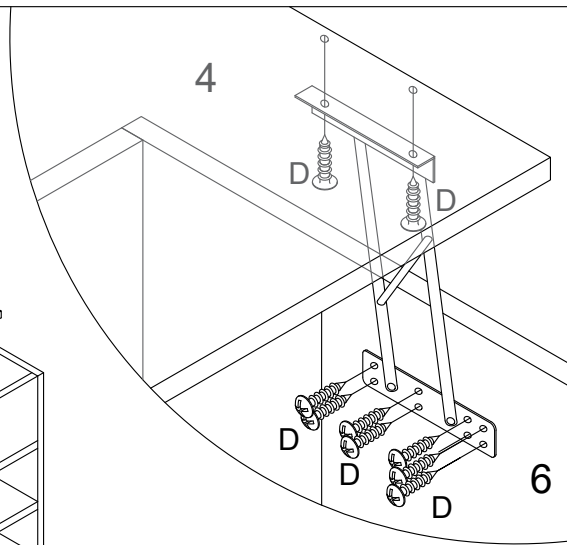
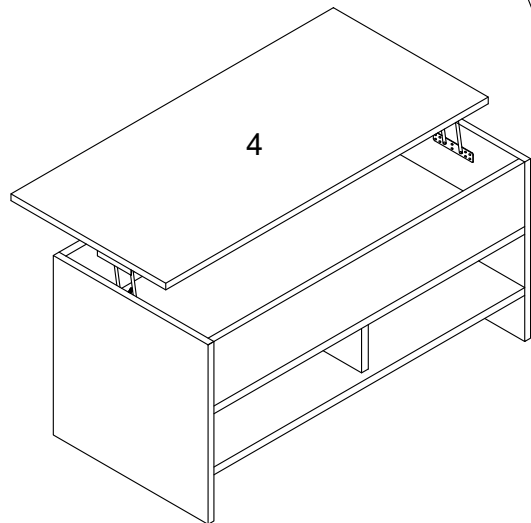


AX16



BX16

### Step 5



Accessories used



DX28

### complete

